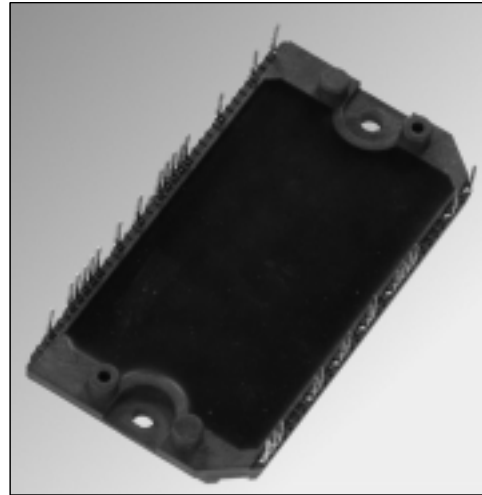
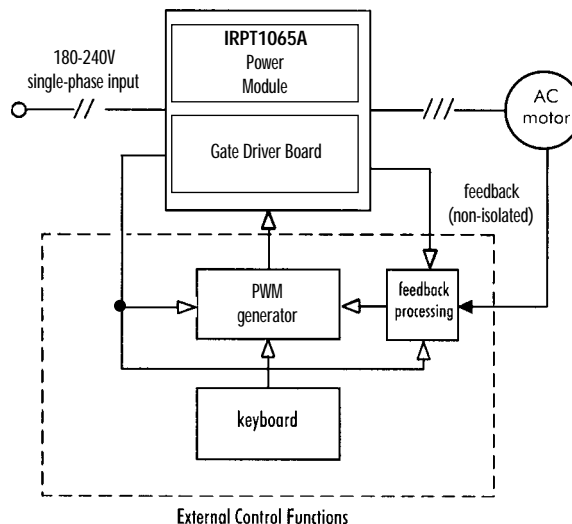


**Power Module for 1 hp Motor Drives**

- 1 hp (0.75 kW) power output  
 Industrial rating at 150% overload for 1 minute
- 180-240V AC single-phase input, 50/60 Hz
- Single-phase rectifier bridge
- 3-phase, short circuit rated, ultrafast IGBT inverter  
 HEXFRED ultrafast soft recovery freewheeling diodes
- Brake IGBT and diode
- Low inductance (current sense) shunts in positive  
 and negative DC rail
- NTC temperature sensor
- Pin-to-baseplate isolation 2500V rms
- Easy-to-mount two-screw package
- Case temperature range -25°C to 125°C operational



**Figure 1.** IRPT1065A Power Module



**Figure 2.** The IRPT1065A power module within a motor control system

## The IRPT1065A Power Module

The IRPT1065A power module, shown in figure 1, is a chip and wire epoxy encapsulated module. It houses input rectifiers, brake IGBT and freewheeling diode, output inverter, current sense shunts and NTC thermistor. The single-phase input bridge rectifiers are rated at 800V. The inverter section uses 600V, short circuit rated, ultrafast IGBTs and ultrafast freewheeling diodes. Current sensing is achieved through 75 mΩ low inductance shunts provided in the positive and negative DC bus rail. The NTC thermistor provides temperature sensing capability. The lead spacing on the power module meets UL840 pollution level 3 requirements.

The power circuit and layout within the module are carefully designed to minimize inductance in the power path, to reduce noise during inverter operation and to improve the inverter efficiency. The driver board required to run the inverter can be soldered to the power module pins, thus minimizing assembly and alignment. The power module is designed to be mounted to a heat sink with two screw mount positions, in order to insure good thermal contact between the module substrate and the heat sink.

**Specifications**

PARAMETERS	VALUES	CONDITIONS
<i>Input Power</i>		
Voltage	220V, -15%, +10%, 1-phase	
Frequency	50/60 Hz	
Current	10.12A rms @ nominal output	$T_A = 40^\circ\text{C}$ , $R_{thSA} = 1.16^\circ\text{C}/\text{W}$
$I_{FSM}$	150A	10 ms half-cycle, non-repetitive surge
<i>Output Power</i>		
Voltage	0 - 230V rms	defined by external PWM control
Nominal motor hp (kW)	1 hp (0.75 kW) nominal full load power 150% overload for 1 minute	$V_{in} = 220\text{V AC}$ , $f_{pwm} = 4\text{ kHz}$ , $f_o = 60\text{ Hz}$ ,
Nominal motor current	4.4A rms nominal full load CURRENT 6.6A rms 150% overload for 1 minute	$T_A = 40^\circ\text{C}$ , $R_{thSA} = 1.16^\circ\text{C}/\text{W}$
<i>DC Link</i>		
DC link voltage	425V maximum	
<i>Brake</i>		
Current	7.9A	
<i>Sensor</i>		
Temp. sense resistance	50kOhms $\pm 5\%$ 3.1kOhms $\pm 10\%$	@ $T_{NTC} = 25^\circ\text{C}$ @ $T_{NTC} = 100^\circ\text{C}$
Current sense	75mOhms $\pm 5\%$	@ $T_{SHUNT} = 25^\circ\text{C}$
<i>Protection</i>		
IGBT short circuit time	10 $\mu\text{s}$	DC bus = 425V, $V_{GE} = 15\text{V}$ , line to line short
Recommended short circuit-shutdown current	20A peak	
<i>Gate Drive</i>		
$Q_G$	34 nC (typical)	$V_{GE} = 15\text{V}$ , refer figure 4b
Recommended gate driver	IR2132J (refer figure 9)	
<i>Module</i>		
Isolation voltage	2500V rms	pin to baseplate, 60 Hz, 1 minute
Operating case temperature	-25°C to 125°C	95% RH max. (non-condensing)
Mounting torque	1 Nm	M4 screw type
Storage temperature range	-40°C to 125°C	
Soldering temperature for 10 sec.	260°C maximum	at the pins (.06" from case)

# IRPT1065A

International  
**IOR** Rectifier

[www.DataSheet4U.com](http://www.DataSheet4U.com)

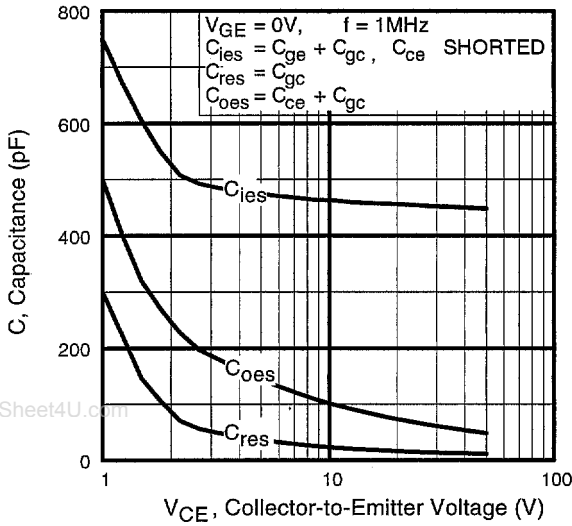


Figure 4a. Typical Capacitance vs Collector-to-Emitter Voltage

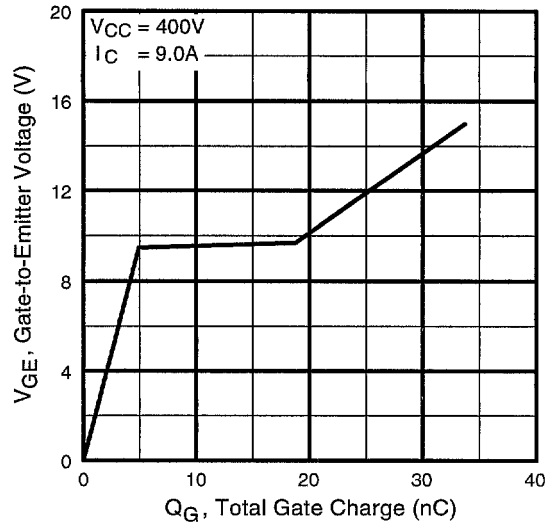


Figure 4b. Typical Gate Charge vs Gate-to-Emitter Voltage

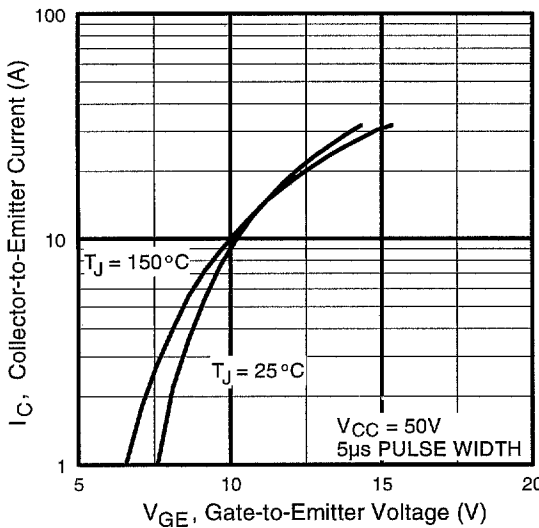


Figure 4c. Typical Transfer Characteristics

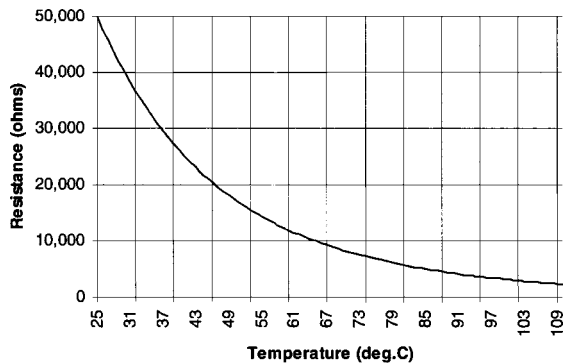
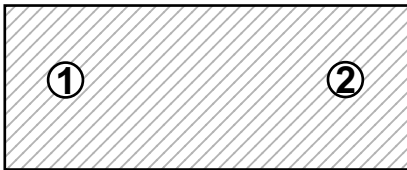


Figure 5. Nominal R-T Characteristics of the NTC Thermistor

## Mounting Procedure

### Mounting

1. Connect the driver board and the IRPT1065A power module.
2. Remove all particles and grit from the heat sink and power substrate.
3. Spread a .004" to .005" layer of silicone grease on the heat sink, covering the entire area that the power substrate will occupy. Recommended heat sink flatness is .001 inch/inch and Total Indicator Readout (TIR) of .003 inch below substrate.
4. Place the power substrate onto the heat sink with the mounting holes aligned and press it firmly into the silicone grease.
5. Place the 2 M4 mounting screws through the PCB and power module and into the heat sink and tighten the screws to 1 Nm torque.



**Figure 6.** Power Module Mounting Screw Sequence

### Power Connections

The power module pin designation, function and other details can be obtained from the package outline in Figure 7 and circuit diagram in Figure 8. Single phase input connections made to pins S and T and inverter output connections are made to pins U, V and W. Positive rectifier output and positive inverter bus are brought out to pins RP and P respectively in order to provide DC bus capacitor soft charging implementation option. The current shunt terminals are connected to pins IS1, IS2 and IS3, IS4 on the positive and negative DC rails respectively.

## Functional Information

### Heat Sink Requirements

Figures 3a-3b show the thermal resistance of the heat sink required for various output power levels and Pulse-Width-Modulated (PWM) switching frequencies. Maximum total losses of the unit are also shown. This data is based on the following key operating conditions:

- The maximum continuous combined losses of the rectifier and inverter occur at full pulse-width-modulation. These maximum losses set the maximum continuous operating temperature of the heat sink.
- The maximum combined losses of the rectifier and inverter at full pulse-width-modulation under overload set the incremental temperature rise of the heat sink during overload.
- The minimum output frequency at which full load current is to be delivered sets the peak IGBT junction temperature.
- At low output frequency, IGBT junction temperature tends to follow the instantaneous fluctuations of the output current. Thus, peak junction temperature rise increases as output frequency decreases.

### Over Temperature Protection

Over temperature can be detected using the NTC thermistor included in the power module for thermal sensing. Protection circuit that initiates a shutdown if the temperature of the IMS substrate exceeds a set level can be implemented. The nominal resistance vs. temperature characteristic of the thermistor is given in Figure 5.

### Voltage Rise During Braking

The motor will feed energy back to the DC link during regenerative braking, forcing the DC bus voltage to rise above the level defined by the input line voltage. Deceleration of the motor must be controlled by appropriate PWM control to keep the DC bus voltage within the rated maximum value.

NOTE: Dimensions are in inches (millimeters)

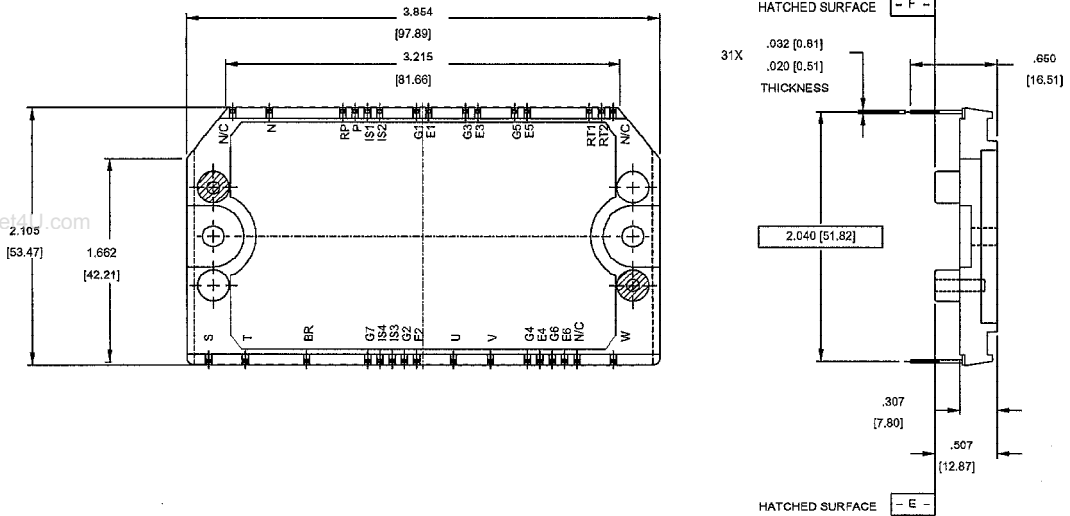
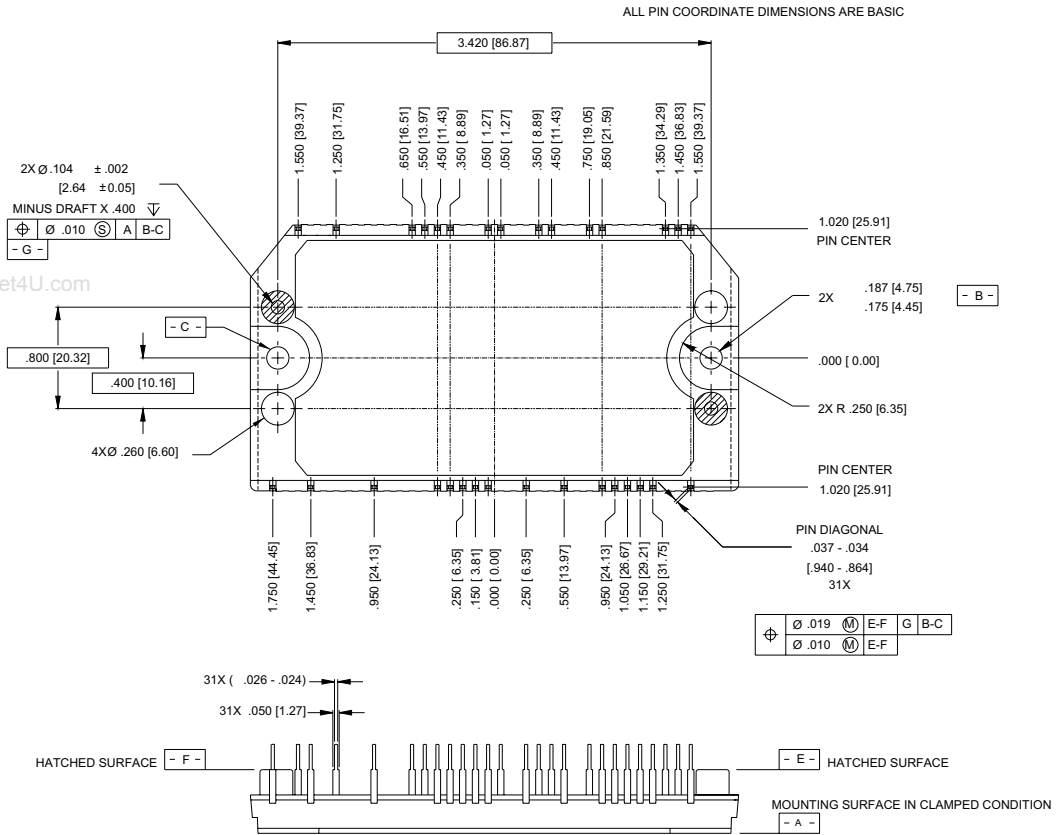


Figure 7a. Power Module Package Outline

**NOTE:** Dimensions are in inches (millimeters)



**Figure 7b.** Power Module Package Outline



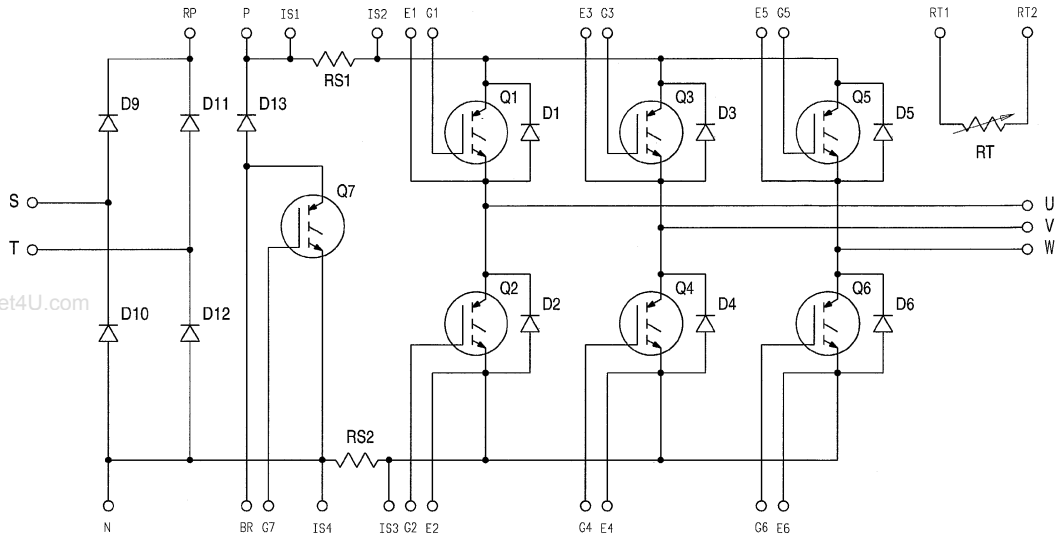


Figure 8. Power Module Circuit Diagram

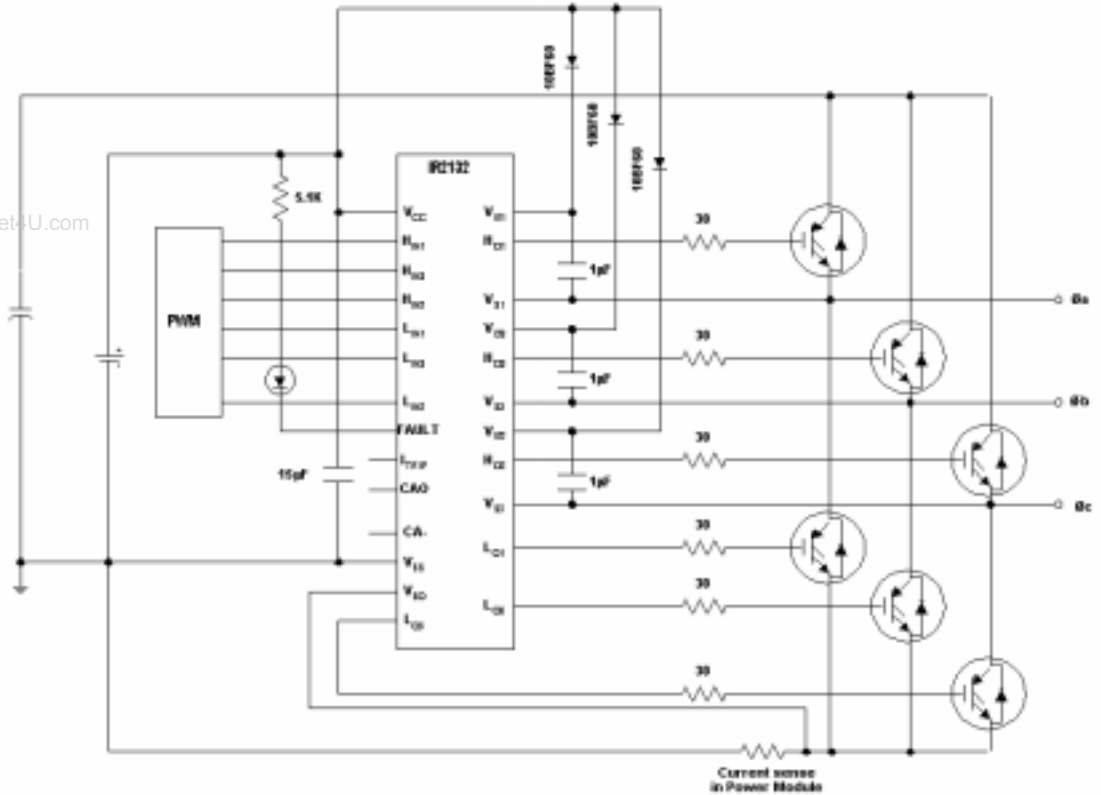


Figure 9. Recommended Gate Drive Circuit

## Part Number Identification and Ordering Instructions

### IRPT1065A Power Module

Chip and wire epoxy encapsulated module with 800V input rectifiers, 600V short-circuit rated, ultra-fast IGBT inverter with

ultra-fast freewheeling diodes, temperature sensing NTC thermistor and current-sensing low-inductance shunts.

---

International  
**IOR** Rectifier

**WORLD HEADQUARTERS:** 233 Kansas St., El Segundo, California 90245, Tel: (310) 322 3331

**EUROPEAN HEADQUARTERS:** Hurst Green, Oxted, Surrey RH8 9BB, UK Tel: ++ 44 1883 732020

**IR CANADA:** 7321 Victoria Park Ave., Suite 201, Markham, Ontario L3R 2Z8, Tel: (905) 475 1897

**IR GERMANY:** Saalburgstrasse 157, 61350 Bad Homburg Tel: ++ 49 6172 96590

**IR ITALY:** Via Liguria 49, 10071 Borgaro, Torino Tel: ++ 39 11 451 0111

**IR FAR EAST:** 171 (K&H Bldg.), 3-30-4 Nishi-ikebukuro 3-Chome, Toshima-ku, Tokyo Japan Tel: 81 3 3983 0086

**IR SOUTHEAST ASIA:** 315 Outram Road, #10-02 Tan Boon Liat Building, Singapore 0316 Tel: 65 221 8371

<http://www.irf.com/> Data and specifications subject to change without notice [www.DataSheet4U.com](http://www.DataSheet4U.com)