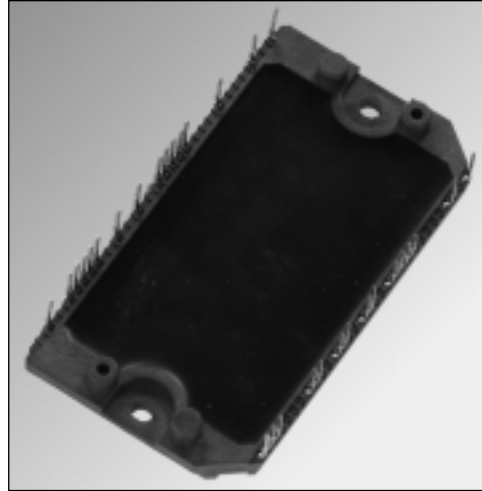
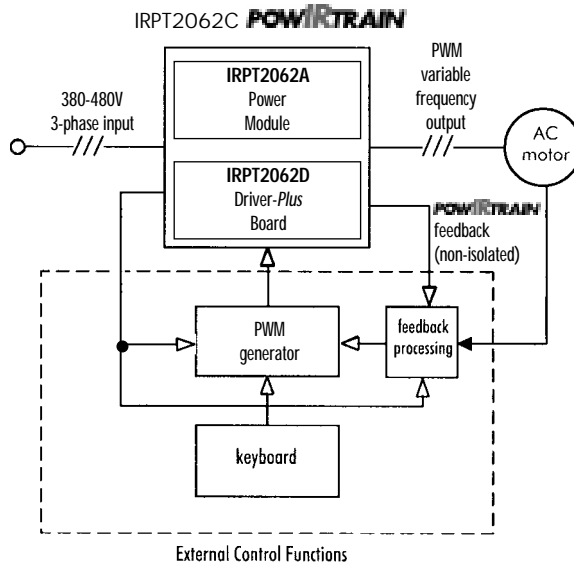


**Power Module for 3 hp Motor Drives**

- 3 hp (2.2 kW) power output  
Industrial rating at 150% overload for 1 minute
- 380-480V AC input, 50/60 Hz
- 3-phase rectifier bridge
- 3-phase, short circuit rated, ultrafast IGBT inverter
- HEXFRED ultrafast soft recovery-freewheeling diodes
- Brake IGBT and diode
- Low inductance (current sense) shunts in positive and negative DC rail
- NTC temperature sensor
- Pin-to-baseplate isolation 2500V rms
- Easy-to-mount two-screw package
- Case temperature range -25°C to 125°C operational



**Figure 1.** IRPT2062A Power Module



**Figure 2.** The IRPT2062C within a motor control system

## Power Module

The IRPT2062A Power Module shown in figure 1 is a chip and wire epoxy encapsulated module. It houses input rectifiers, output inverter, current sense shunts and NTC thermistor. The 3-phase input bridge rectifiers are rated at 1600V. The brake circuit uses 1200V IGBT and freewheeling diode. The inverter section employs 1200V, short circuit rated, ultrafast IGBTs and ultrafast freewheeling diodes. Current sensing is achieved through 25 mΩ low inductance shunts provided in the positive and negative DC bus rail. The NTC thermistor provides temperature sensing capability. The lead spacing on the power module meets UL840 pollution level 3 requirements.

The power circuit and layout within the module are carefully designed to minimize inductance in the power path, to reduce noise during inverter operation and to improve the inverter efficiency. The Driver-Plus Board required to run the inverter can be soldered to the power module pins, thus minimizing assembly and alignment. The power module is designed to be mounted to a heat sink with two screw mount positions, in order to ensure good thermal contact between the module substrate and the heat sink.

## POWERTRAIN and Design Kit

The IRPT2062C **POWERTRAIN** (Figure 3) provides the complete power conversion function for a 3 hp (2.2 kW) variable voltage, variable frequency AC motor controller. The **POWERTRAIN** combines the Power Module (IRPT2062A) with a Driver-Plus Board (IRPT2062D). The **POWERTRAIN** Design Kit, IRPT2062E includes the following:

- Complete **POWERTRAIN** integrated power stage
- Specification and operating instructions
- Bill of materials
- Electrical schematic
- Mechanical layout of the Driver-Plus Board
- Software transferrable file for easy design integration
- Application information and layout considerations

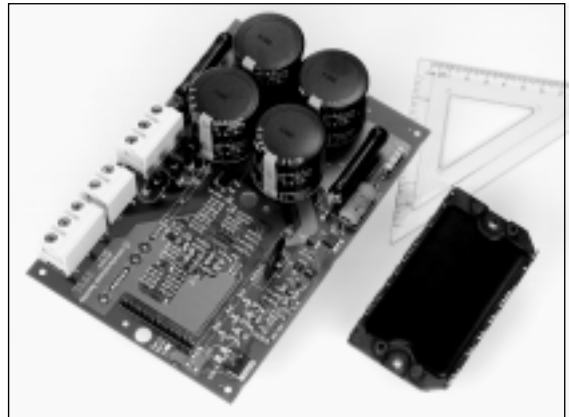
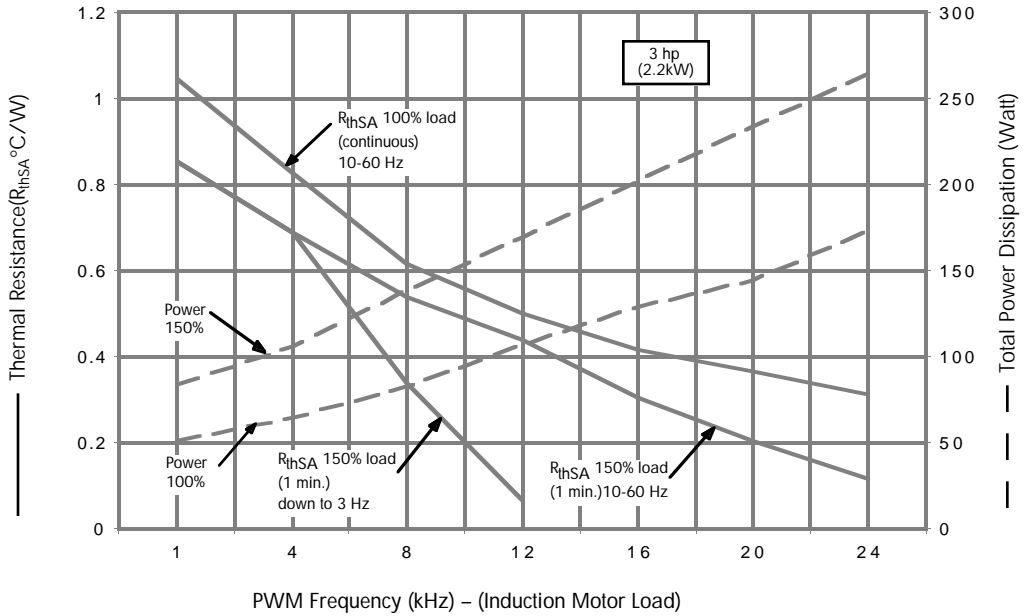


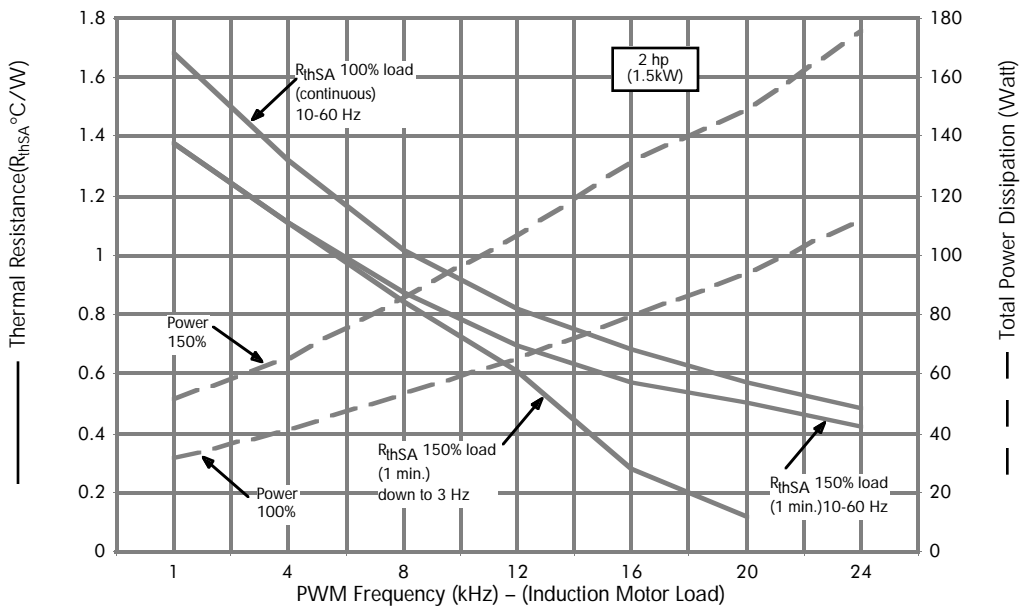
Figure 3. IRPT2062C **POWERTRAIN**

## Specifications

PARAMETERS	VALUES	CONDITIONS
<i>Input Power</i>		
Voltage	380V, -15%, 480V +10%, 3-phase	
Frequency	50/60 Hz	
Current	8.26A rms @ nominal output	$T_A = 40^\circ\text{C}$ , $R_{thSA} = 0.69^\circ\text{C/W}$
$I_{FSM}$	400A	10 ms half-cycle, non-repetitive surge
<i>Output Power</i>		
Voltage	0 - 480V rms	defined by external PWM control
Nominal motor hp (kW)	3 hp (2.2 kW) nominal full load power 150% overload for 1 minute	$V_{in} = 440\text{V AC}$ , $f_{pwm} = 4\text{ kHz}$ , $f_0 = 60\text{ Hz}$ , $T_A = 40^\circ\text{C}$ , $R_{thSA} = 0.69^\circ\text{C/W}$
Nominal motor current	5.9A nominal full load power 8.85A 150% overload for 1 minute	
<i>DC Link</i>		
DC link voltage	850V maximum	
<i>Brake</i>		
Current	10.6A	
<i>Sensor</i>		
Temp. sense resistance	50 kOhms $\pm 5\%$ 3.1 kOhms $\pm 10\%$	@ $T_{NTC} = 25^\circ\text{C}$ @ $T_{NTC} = 100^\circ\text{C}$
Current sense	25mOhms $\pm 5\%$	@ $T_{SHUNT} = 25^\circ\text{C}$
<i>Protection</i>		
IGBT short circuit time	10 $\mu\text{s}$	DC Bus = 850V, $V_{GE} = 15\text{V}$ , line to line short
Recommended short circuit-shutdown current	28A peak	
<i>Gate Drive</i>		
$Q_G$	94 nC (typical)	@ $V_{GE} = 15\text{V}$ , refer figure 5b
Recommended gate driver	IR2233 (see Figure 10)	refer design kit IRPT2062E
<i>Module</i>		
Isolation voltage	2500V rms	pin to baseplate, 60 Hz, 1 minute
Operating case temperature	-25°C to 125°C	95% RH max. (non-condensing)
Mounting torque	1 Nm	M4 screw type
Storage temperature range	-40°C to 150°C	
Soldering temperature for 10 sec.	260°C maximum	at the pins (.06" from case)



**Figure 4a.** 3 hp/5.9A Output Heat Sink Thermal Resistance and Power Dissipation vs. PWM Frequency



**Figure 4b.** 2 hp/4.2A Output Heat Sink Thermal Resistance and Power Dissipation vs. PWM Frequency

NOTE: For figures 4a and 4b: Operating Conditions:  $V_{in} = 460V_{rms}$ ,  $MI = 1.15$ ,  $PF = 0.8$ ,  $T_A = 40^\circ C$ ,  $T_I < 145^\circ C$ ,  $T_S < 95^\circ C$ ,  $Z_{thSA}$  limits  $\Delta T_c$  during 1 minute overload to  $10^\circ C$

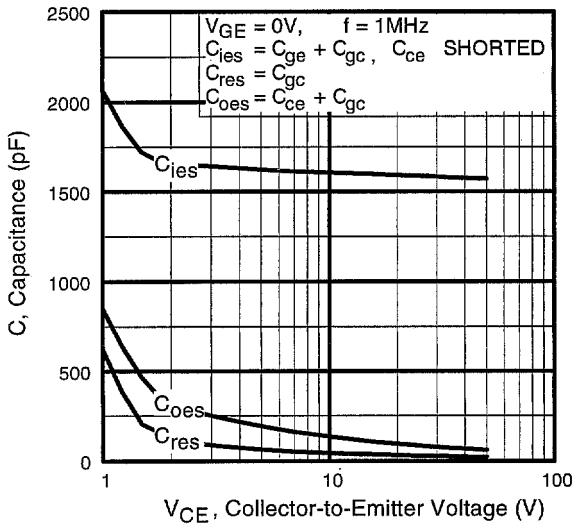


Figure 5a. Typical Capacitance vs Collector-to-Emitter Voltage

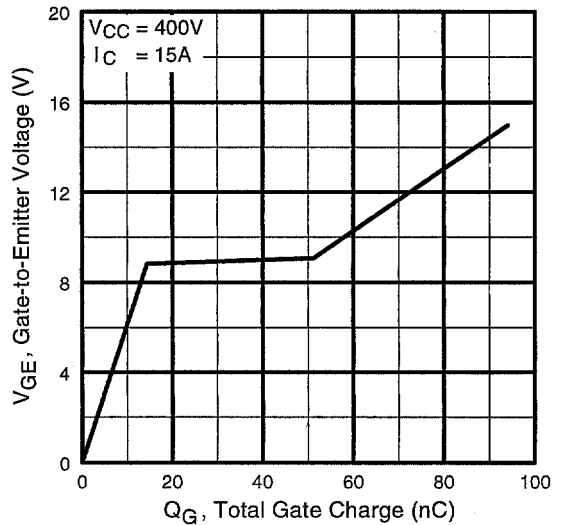


Figure 5b. Typical Gate Charge vs Gate-to-Emitter Voltage

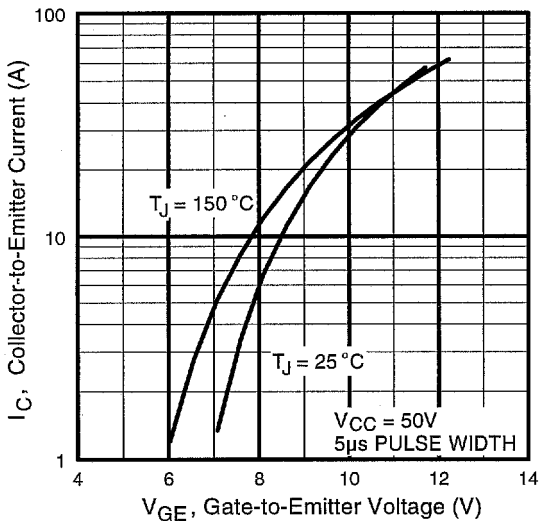


Figure 5c. Typical Transfer Characteristics

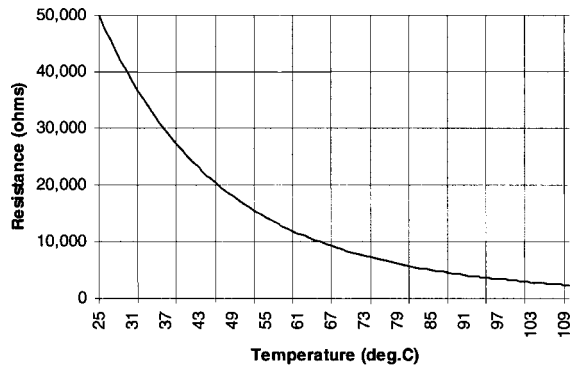
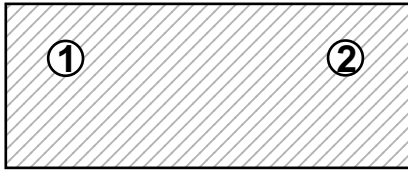


Figure 6. Nominal R-T Characteristics of the NTC Thermistor

## Mounting, Hookup and Application Instructions

### Mounting

1. Connect the driver board and the IRPT2062A module.
2. Remove all particles and grit from the heat sink and power substrate.
3. Spread a .004" to .005" layer of silicone grease on the heat sink, covering the entire area that the power substrate will occupy. Recommended heat sink flatness in .001 inch/inch and Total Indicator Readout (TIR) of .003 inch below substrate.
4. Place the power substrate onto the heat sink with the mounting holes aligned and press it firmly into the silicone grease.
5. Insert the two M4 mounting screws through the PCB and power module and into the heat sink and tighten the screws to 1 Nm torque.



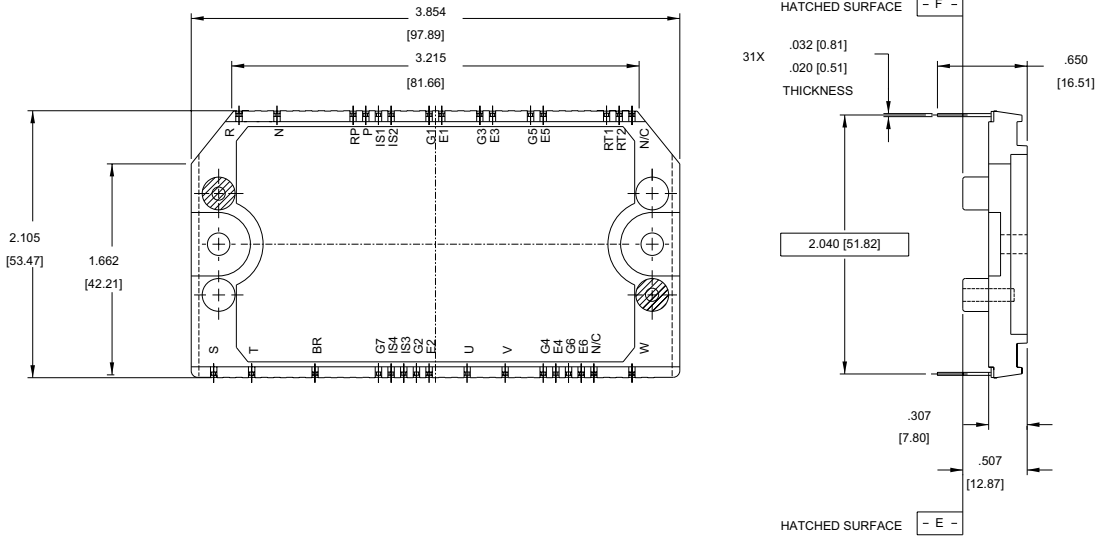
**Figure 7.** Power Module Mounting Screw Sequence

### Power Connections

The power module pin designation, function and other details can be obtained from the package outline in figure 8 and circuit diagram in figure 9. 3-phase input connections are made to pins R, S and T and inverter output connections are made to pins U, V and W. Positive DC bus and brake IGBT collector connections are brought out to pins P and BR, respectively. Positive rectifier output and positive inverter bus are brought out to pins RP and P, respectively in order to provide DC bus capacitor soft charging implementation option. The current shunt terminals are connected to pins IS1, IS2 and IS3, IS4 on the positive and negative DC rails, respectively.

**IRPT2062A Mechanical Specifications**

**NOTE:** Dimensions are in inches (millimeters)



**Figure 8a.**

## IRPT2062A Mechanical Specifications

NOTE: Dimensions are in inches (millimeters)

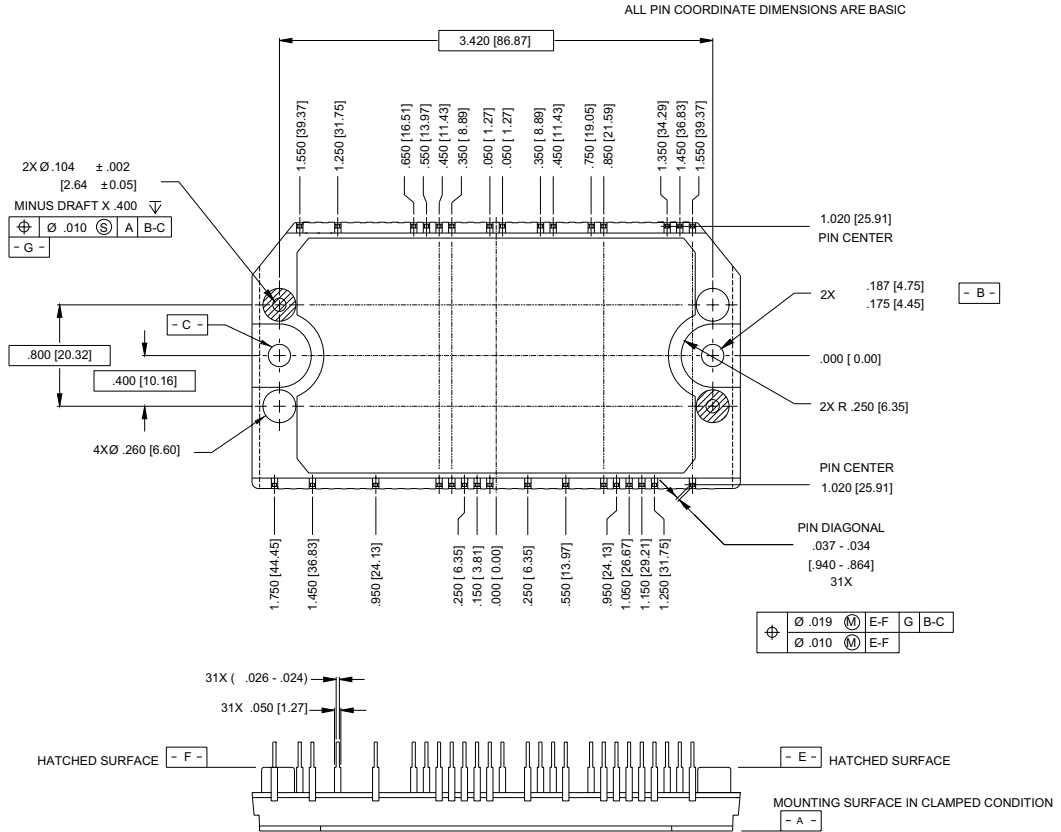


Figure 8b.



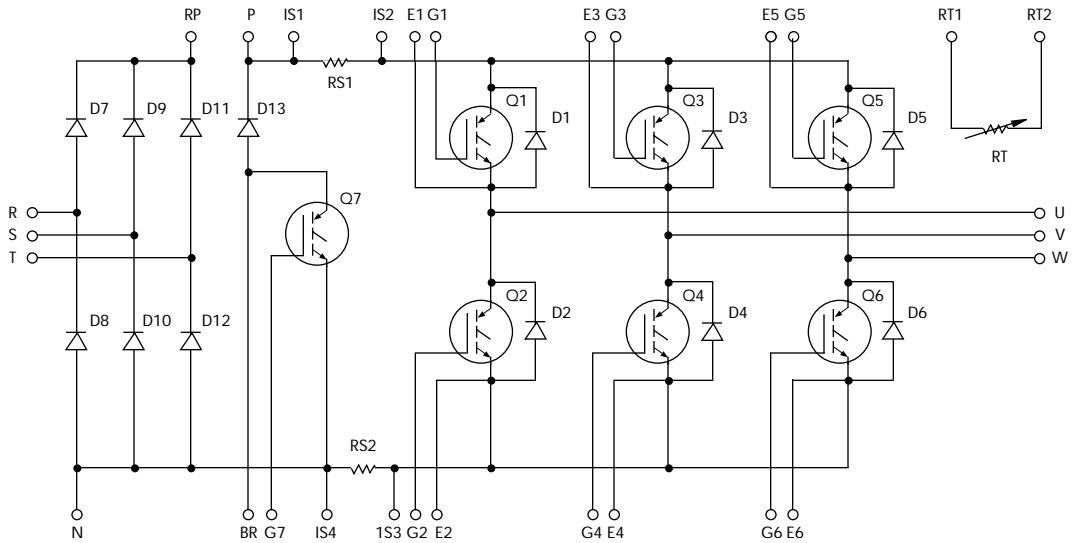


Figure 9. Power Module Circuit Diagram

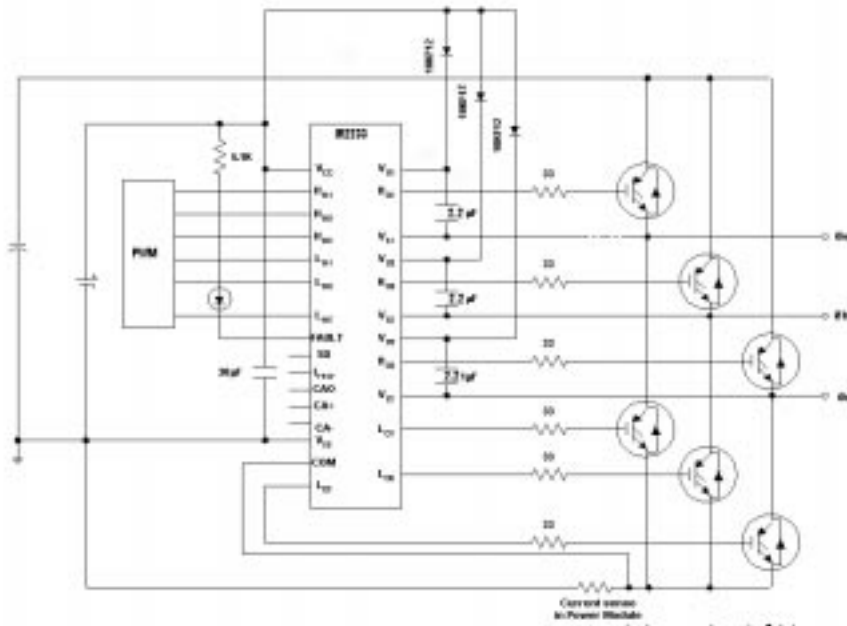


Figure 10. Recommended Gate Drive Circuit

## Functional Information

### *Heat Sink Requirements*

Figures 4a through 4b show the thermal resistance of the heat sink required for various output power levels and pulse-width-modulated (PWM) switching frequencies. Maximum total losses of the unit are also shown. This data is based on the following key operating conditions:

- The maximum continuous combined losses of the rectifier and inverter occur at full pulse-width-modulation. These losses set the maximum continuous operating temperature of the heat sink.
- The maximum combined losses of the rectifier and inverter at full pulse-width modulation under overload set the increment temperature rise of the heat sink during overload.
- The minimum output frequency at which full load current is to be delivered, sets the peak IGBT junction temperature.
- At low frequency, IGBT junction temperature tends to follow the instantaneous fluctuations of the output current. Thus, peak junction temperature rise increases as output frequency decreases.

### *Over-Temperature Protection*

Over-temperature can be detected using the NTC thermistor included in the power module for thermal sensing. A protection circuit that initiates a shutdown if the temperature of the IMS exceeds a set level can be implemented. The nominal resistance vs. temperature characteristic of the thermistor is given in figure 6.

### *Voltage Rise During Braking*

The motor will feed energy back to the DC link during regenerative braking, forcing the bus voltage to rise above the level defined by the input voltage. Deceleration of the motor must be controlled by appropriate PWM control to keep the DC bus voltage within the rated maximum value. For high inertial loads, or for very fast deceleration rates, this can be achieved by connecting an external braking resistor across P and BR and controlling the brake IGBT switching when the bus voltage exceeds the allowable limit.

## Part Number Identification and Ordering Instructions

### IRPT2062A Power Module

Chip and wire epoxy encapsulated module with 1600V input rectifiers, 1200V brake IGBT and freewheeling diode, 1200V short-circuit rated, ultrafast IGBT inverter with ultrafast freewheeling diodes. NTC temperature sensing thermistor and current sensing low-inductance shunts.

### IRPT2062C Complete **POWERTRAIN**

IRPT2062A Power Module and IRPT2062D Driver-Plus Board pre-assembled and tested to meet all system specifications.

### IRPT2062D Driver-Plus Board

Printed circuit board assembled with DC link capacitors, NTC in-rush limiting thermistor, high-power terminal blocks, surge suppression MOVs, IGBT gate drivers, protection circuitry and low power supply. The PCB is functionally tested with standard power module to meet all system specifications.

### IRPT2062E Design Kit

Complete **POWERTRAIN** (IRPT2062C), with full set of design documentation including detailed schematic diagram, bill of material, mechanical layout, schematic file, Gerber files and design tips.

---

International  
**IOR** Rectifier

**WORLD HEADQUARTERS:** 233 Kansas St., El Segundo, California 90245, Tel: (310) 322 3331  
**EUROPEAN HEADQUARTERS:** Hurst Green, Oxted, Surrey RH8 9BB, UK Tel: ++ 44 1883 732020

**IR CANADA:** 7321 Victoria Park Ave., Suite 201, Markham, Ontario L3R 2Z8, Tel: (905) 475 1897

**IR GERMANY:** Saalburgstrasse 157, 61350 Bad Homburg Tel: ++ 49 6172 96590

**IR ITALY:** Via Liguria 49, 10071 Borgaro, Torino Tel: ++ 39 11 451 0111

**IR FAR EAST:** 171 (K&H Bldg.), 3-30-4 Nishi-ikebukuro 3-Chome, Toshima-ku, Tokyo Japan Tel: 81 3 3983 0086

**IR SOUTHEAST ASIA:** 315 Outram Road, #10-02 Tan Boon Liat Building, Singapore 0316 Tel: 65 221 8371

<http://www.irf.com/>

*Data and specifications subject to change without notice.*

9/97