
Bluetooth® 4.1 Stereo Audio SOC

Features

System Specification

- Compliant with Bluetooth Specification v.4.1 (EDR) in 2.4 GHz ISM band
- It supports following profiles :
 - HFP 1.6
 - HSP 1.1
 - A2DP 1.2
 - AVRCP 1.5
 - SPP 1.0
 - PBAP 1.0

Baseband Hardware

- 16MHz main clock input
- Built-in internal ROM for program memory
- Support to connect to two hosts (phones, tablets...) with HFP or A2DP profiles simultaneously
- Adaptive Frequency Hopping (AFH) avoids occupied RF channels
- Fast Connection supported

RF Hardware

- Fully Bluetooth 4.1 (EDR) system in 2.4 GHz ISM band.
- Combined TX/RX RF terminal simplifies external matching and reduces external antenna switches.
- Max. +4dBm output power with 20 dB level control from register control.
- Built-in T/R switch for Class 2/3 application
- To avoid temperature variation, temperature sensor with temperature calibration is utilized into bias current and gain control.
- Fully integrated synthesizer has been created. There requires no external VCO, varactor diode, resonator and loop filter.
- Crystal oscillation with built-in digital trimming for temperature/process variations.

Audio processor

- Support 64 kb/s A-Law or μ -Law PCM format, or CVSD (Continuous Variable Slope Delta Modulation) for SCO channel operation.
- Noise suppression
- Echo suppression
- SBC and optional AAC decoding

- Packet loss concealment
- Build-in four languages (Chinese/ English/ Spanish/ French) voice prompts and 20 events for each one (This function can be set up in "IS20XXS_UI" tool.)
- Support SCMS-T

Audio Codec

- 20 bit DAC and 16 bit ADC codec
- 98dB SNR DAC playback
- Built-in 2 channel 2.3W class-D amplifier for a 4 Ω speaker (for IS2025S only)

Peripherals

- Built-in Lithium-ion battery charger (up to 350mA)
- Integrate 3V, 1.8V configurable switching regulator and LDO
- Built-in ADC for battery monitor and voltage sense.
- A line-in port for external audio input
- Two LED drivers

Flexible HCI interface

- High speed HCI-UART (Universal Asynchronous Receiver Transmitter) interface (up to 921600bps)

Package

- 5x6.5mm² 48QFN package (IS2021S)
- 7x7mm² 56QFN package (IS2020S, IS2023S)
- 8x8mm² 68QFN package (IS2025S)

Description

Stereo Audio Chip is a compact, highly integrated, CMOS single-chip RF and baseband IC for Bluetooth v4.1 with Enhanced Data Rate 2.4GHz applications. This chip is fully compliant with Bluetooth specification and completely backward-compatible with Bluetooth 3.0, 2.0 or 1.2 systems.

It incorporates Bluetooth 1M/2M/3Mbps RF, single-cycle 8bit MCU, TX/RX modem, 5-port memory controller, task/hopping controller,

UART interface, and MICROCHIP's own Bluetooth software stack to achieve the required BT v4.1 with EDR functions.

To provide the superior audio and voice quality, it also integrates a DSP co-processor, a PLL, and a CODEC dedicated for voice and audio applications.

For voice, not only basic CVSD encoding and decoding but also enhanced noise reduction and echo cancellation are implemented by the built-in DSP to achieve better quality in both sending and receiving sides. For the enhanced audio applications, SBC/AAC_LC decoding functions can be also carried out by DSP to satisfy Bluetooth A2DP requirements.

In addition, to minimize the external

components required for portable devices, a battery voltage sensor, battery charger, a switching regulator and LDO are integrated to reduce system BOM cost for various Bluetooth applications.

As the market of portable/wireless speakers demand is increasing, a stereo 2 channels 2.3W class-D amplifier which provides up to 100dB SNR is also built-in to reduce BOM cost and PCB area.

Applications

- Stereo headsets
- Portable speakerphones

Table of Contents

| | |
|--|----|
| 1.0 DEVICE OVERVIEW | 4 |
| 2.0 KEY FEATURES TABLE..... | 5 |
| 3.0 PIN DESCRIPTION AND POWER SUPPLY | 6 |
| 4.0 TRANSCEIVER..... | 19 |
| 5.0 MICROPROCESSOR | 20 |
| 6.0 AUDIO | 21 |
| 7.0 POWER MANAGEMENT UNIT..... | 23 |
| 8.0 GENERAL PURPOSE IOs..... | 25 |
| 9.0 OPERATION WITH EXTERNAL MCU..... | 26 |
| 10.0 I ² S APPLICATION | 31 |
| 11.0 ANTENNA PLACEMENT RULE | 33 |
| 12.0 SPECIFICATIONS | 34 |
| 13.0 REFERENCE CIRCUIT..... | 41 |
| 14.0 PACKAGE INFORMATION..... | 46 |
| 15.0 REFLOW PROFILE AND STORAGE CINDITION..... | 54 |

Abbreviations List:

HFP: Hands-free Profile
AVRCP: Audio Video Remote Control Profile
A2DP: Advanced Audio Distribution Profile
PBAP: Phone Book Access Profile
HSP: Headset Profile
SPP: Serial Port Profile
NFC: Near Field Communication
CDA: Class D Amplifier
SCMS-T: Serial Copy Management System

Stereo Audio SoC

1.0 DEVICE OVERVIEW

The stereo audio chip series include IS2020S, IS2021S, IS2023S, and IS2025S chip. The chip integrates Bluetooth 4.1 radio transceiver, PMU, DSP and 2-channel CDA (Class D Amplifier). Figure 1-1 shows the application block diagram.

FIGURE 1-1: APPLICATION BLOCK DIAGRAM

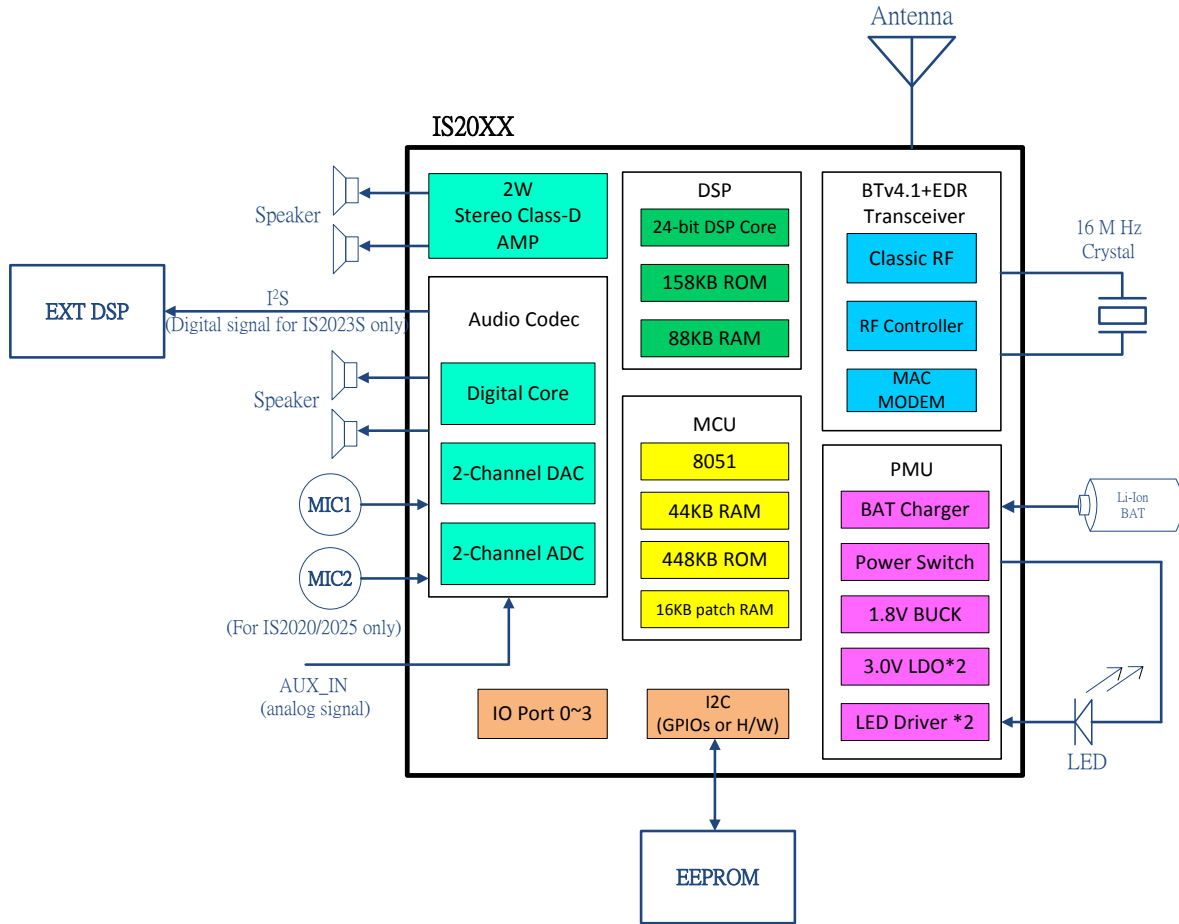
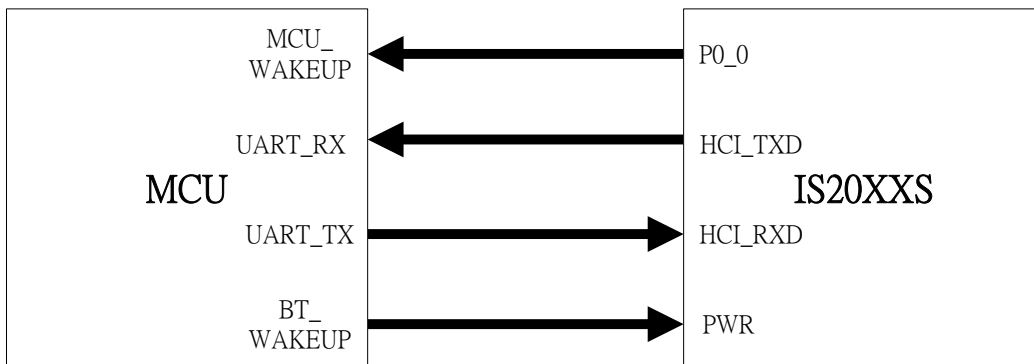


FIGURE 1-2: INTERFACE BETWEEN MCU AND IS20XX CHIP



Stereo Audio SoC

2.0 KEY FEATURES TABLE

| Feature \ Chip | IS2020S | IS2021S | IS2023S | IS2025S |
|------------------------------------|-------------------|----------|--------------------------|---------|
| Application | Headset / Speaker | Headset | I ² S Speaker | Speaker |
| Stereo/Mono | Stereo | Stereo | Stereo | Stereo |
| Pin count | 56 | 48 | 56 | 68 |
| Dimension (mm ²) | 7X7 | 5X6.5 | 7X7 | 8X8 |
| Audio DAC output | 2-ch | 2-ch | X | 2-ch |
| DAC (single-end) SNR@2.8V (dB) | -98 | -98 | X | -98 |
| DAC (cap-less) SNR@2.8V (dB) | -96 | -96 | X | -96 |
| ADC SNR @2.8V (dB) | -90 | -90 | -90 | -90 |
| I ² S digital interface | X | X | √ | X |
| Analog Aux- in | √ | X | √ | √ |
| Mono MIC | 2 | 1 | 1 | 2 |
| Support external audio AMP | √ | X | X | √ |
| Build-in Class-D amplifier | X | X | X | 2-ch |
| UART | √ | √ | √ | √ |
| LED Driver | 2 | 2 | 2 | 2 |
| Internal DC-DC step-down regulator | √ | √ | √ | √ |
| DC 5V Adaptor Input | √ | √ | √ | √ |
| Battery Charger (350mA max) | √ | √ | √ | √ |
| IO Pin for Application | 9 | 8 | X | 10 |
| Button support | 6 | 6 | 6 | 6 |
| Support NFC application | √ | √ | √ | √ |
| Voice prompt | √ | √ | √ | √ |
| Multi-tone | √ | √ | √ | √ |
| Internal DSP sound effect | √ | √ | X | √ |
| Profile | | | | |
| HFP | 1.6 | 1.6 | 1.6 | 1.6 |
| AVRCP | 1.5 | 1.5 | 1.5 | 1.5 |
| A2DP | 1.2 | 1.2 | 1.2 | 1.2 |
| PBAP | 1.0 | 1.0 | 1.0 | 1.0 |
| HSP | 1.1 | 1.1 | 1.1 | 1.1 |
| SPP | 1.0 | 1.0 | 1.0 | 1.0 |
| Build-in EEPROM | X | □√(128k) | X | X |

Note: "√" means support the feature.

“X” means no support the feature.

3.0 PIN DESCRIPTION AND POWER SUPPLY

3.1 PIN ASSIGNMENT

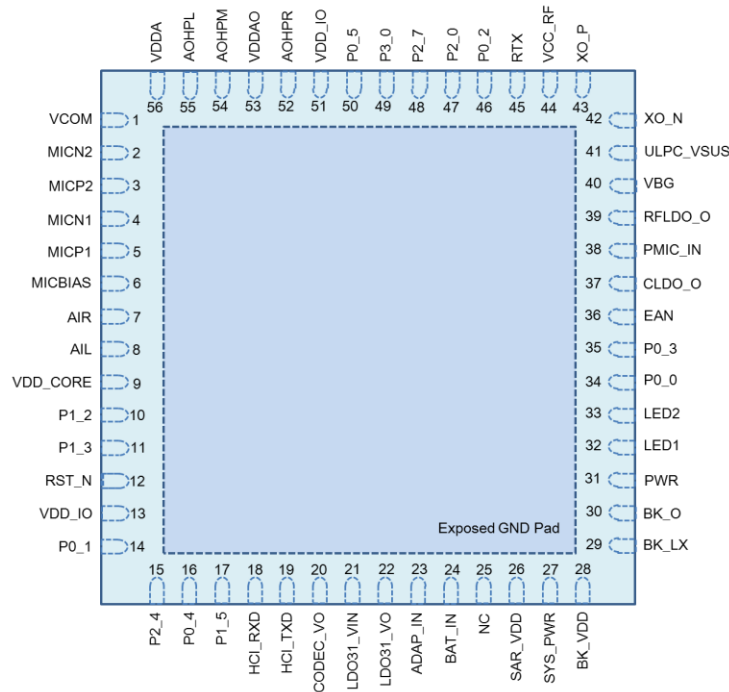


TABLE 3-1: IS2020S PIN DESCRIPTION

| Pin No. | Pin type | Name | Description |
|---------|----------|----------|--|
| 1 | P | VCOM | Internal biasing voltage for CODEC |
| 2 | I | MICN2 | Mic 2 mono differential analog negative input |
| 3 | I | MICP2 | Mic 2 mono differential analog positive input |
| 4 | I | MICN1 | Mic 1 mono differential analog negative input |
| 5 | I | MICP1 | Mic 1 mono differential analog positive input |
| 6 | P | MIC_BIAS | Electric microphone biasing voltage |
| 7 | I | AIR | R-channel single-ended analog inputs |
| 8 | I | AIL | L-channel single-ended analog inputs |
| 9 | P | VDD_CORE | Core 1.2V power input; Connect to CLDO_O pin |
| 10 | O | P1_2 | IO pin, default pull-high input EEPROM clock SCL |
| 11 | I/O | P1_3 | IO pin, default pull-high input EEPROM data SDA |
| 12 | I | RST_N | System Reset Pin, active when rising edge. |
| 13 | P | VDD_IO | I/O power supply input (2.7~3.3V); Connect to LDO31_VO pin |
| 14 | I/O | P0_1 | IO pin, default pull-high input (Note 1) 1. FWD key when class 2 RF (default), active low. 2. Class1 TX Control signal of external RF T/R switch, active high. |
| 15 | I | P2_4 | IO pin, default pull-high input System Configuration, |

Stereo Audio SoC

| Pin No. | Pin type | Name | Description |
|---------|----------|------|--|
| | | | L: Boot Mode with P2_0 low combination |

| Pin No. | Pin type | Name | Description |
|---------|----------|-----------|---|
| 16 | I/O | P0_4 | IO pin, default pull-high input. (Note 1) 1. NFC detection pin, active low. 2. Out_Ind_0 |
| 17 | I/O | P1_5 | IO pin, default pull-high input (Note 1) 1. NFC detection pin, active low. 2. Out_Ind_0 3. Slide Switch Detector, active low. 4. Buzzer Signal Output |
| 18 | I | HCI_RXD | HCI-UART RX data |
| 19 | O | HCI_TXD | HCI-UART TX data |
| 20 | P | CODEC_VO | 3.1V LDO output for CODEC power |
| 21 | P | LDO31_VIN | 3.1V LDO input; Connect to SYS_PWR pin |
| 22 | P | LDO31_VO | 3.1V LDO output |
| 23 | P | ADAP_IN | 5V power adaptor input |
| 24 | P | BAT_IN | 3.3V~4.2V Li-Ion battery input |
| 25 | - | NC | No Connection |
| 26 | P | SAR_VDD | SAR 1.8V input; Connect to BK_O pin |
| 27 | P | SYS_PWR | Power Output which come from BAT_IN or ADAP_IN |
| 28 | P | BK_VDD | 1.8V buck VDD Power Input; Connect to SYS_PWR pin |
| 29 | P | BK_LX | 1.8V buck pin for switch |
| 30 | P | BK_O | 1.8V buck feedback input |
| 31 | I | PWR | Multi-Function Push Button and power on key |
| 32 | I | LED2 | LED Driver 2 |
| 33 | I | LED1 | LED Driver 1 |
| 34 | I/O | P0_0 | IO pin, default pull-high input (Note 1) 1. Slide Switch Detector, active low. 2. UART TX_IND, active low. |
| 35 | I/O | P0_3 | IO pin, default pull-high input (Note 1) 1. REV key (default), active low. 2. Buzzer Signal Output 3. Out_Ind_1 4. Class1 RX Control signal of external RF T/R switch, active high. |
| 36 | I | EAN | Embedded ROM/External Flash enable H: Embedded; L: External Flash |
| 37 | P | CLDO_O | 1.2V core LDO output |
| 38 | P | PMIC_IN | PMU blocks power input; Connect to BK_O pin |
| 39 | P | RFLDO_O | 1.28V RF LDO output |
| 40 | P | VBG | Bandgap output reference for decoupling interference |
| 41 | P | ULPC_VSUS | ULPC 1.2V output power. |

Stereo Audio SoC

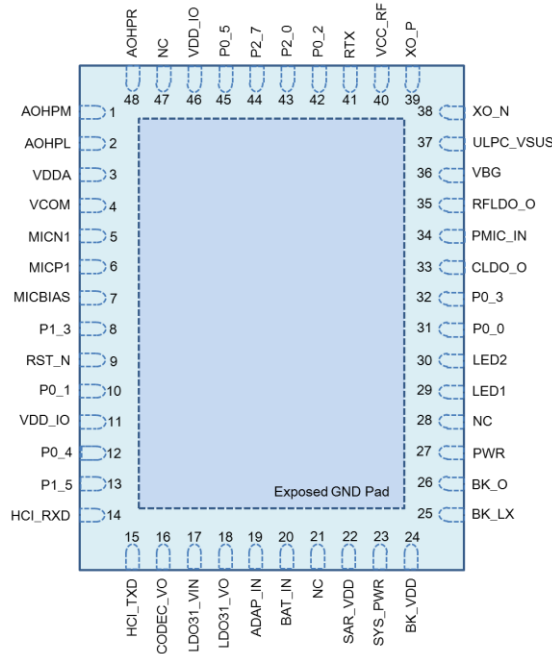
| Pin No. | Pin type | Name | Description |
|---------|----------|--------|---|
| 42 | I | XO_N | 16MHz Crystal input negative |
| 43 | I | XO_P | 16MHz Crystal input positive |
| 44 | P | VCC_RF | RF power input (1.28V) for both synthesizer and TX/RX block |

| Pin No. | Pin type | Name | Description |
|---------|----------|--------|---|
| 45 | I/O | RTX | RF RTX path |
| 46 | I | P0_2 | IO pin, default pull-high input (Note 1) Play/Pause key (default), active low. |
| 47 | I | P2_0 | IO pin, default pull-high input System Configuration, H: Application L: Baseband(IBDK Mode) |
| 48 | I | P2_7 | IO pin, default pull-high input (Note 1) Volume up key (default), active low. |
| 49 | I | P3_0 | IO pin, default pull-high input (Note 1) Line-in Detector (default), active low. |
| 50 | I | P0_5 | IO pin, default pull-high input (Note 1) Volume down (default), active low. |
| 51 | P | VDD_IO | I/O power supply input (2.7~3.3V); Connect to LDO31_VO pin |
| 52 | O | AOHPR | R-channel analog headphone output |
| 53 | P | VDDAO | Positive power supply dedicated to CODEC output amplifiers; Connect to CODEC_VO pin |
| 54 | O | AOHPM | Headphone common mode output/sense input. |
| 55 | O | AOHPL | L-channel analog headphone output |
| 56 | P | VDDA | Positive power supply/reference voltage for CODEC; Connect to CODEC_VO pin |
| 57 | P | EP | Exposed pad as ground |

- * I: signal input pin
- * O: signal output pin
- * I/O: signal input/output pin
- * P: power pin

Note 1: These button or functions can be setup by “IS20XXS_UI” tool.

TABLE 3-2: IS2021S PIN DESCRIPTION



| Pin No. | Pin type | Name | Description |
|---------|----------|----------|--|
| 1 | O | AOHPM | Headphone common mode output/sense input. |
| 2 | O | AOHPL | L-channel analog headphone output |
| 3 | P | VDDA | Positive power supply/reference voltage for CODEC; Connect to CODEC_VO pin |
| 4 | P | VCOM | Internal biasing voltage for CODEC |
| 5 | I | MICN1 | Mic 1 mono differential analog negative input |
| 6 | I | MICP1 | Mic 1 mono differential analog positive input |
| 7 | P | MIC_BIAS | Electric microphone biasing voltage |
| 8 | I/O | P1_3 | IO pin, default pull-high input EEPROM data SDA |
| 9 | I | RST_N | System Reset Pin, active when rising edge. |
| 10 | I/O | P0_1 | IO pin, default pull-high input (Note 1) 1. FWD key when class 2 RF, active low. 2. Class1 TX Control signal of external RF T/R switch, active high. |
| 11 | P | VDD_IO | I/O power supply input (2.7~3.3V); Connect to LDO31_VO pin |
| 12 | I/O | P0_4 | IO pin, default pull-high input. (Note 1) 1. NFC detection pin, active low. 2. Out_Ind_0 |
| 13 | I/O | P1_5 | IO pin, default pull-high input (Note 1) 1. NFC detection pin, active low. 2. Out_Ind_0 |

Stereo Audio SoC

| Pin No. | Pin type | Name | Description |
|---------|----------|---------|--|
| | | | 3. Slide Switch Detector, active low. 4. Buzzer Signal Output |
| 14 | I | HCI_RXD | HCI-UART RX data |
| 15 | O | HCI_TXD | HCI-UART TX data |

| Pin No. | Pin type | Name | Description |
|---------|----------|-----------|---|
| 16 | P | CODEC_VO | 3.1V LDO output for CODEC power |
| 17 | P | LDO31_VIN | 3.1V LDO input; Connect to SYS_PWR pin |
| 18 | P | LDO31_VO | 3.1V LDO output |
| 19 | P | ADAP_IN | 5V power adaptor input |
| 20 | P | BAT_IN | 3.3~4.2V Li-Ion battery input |
| 21 | - | NC | No Connection |
| 22 | P | SAR_VDD | SAR 1.8V input; Connect to BK_O pin |
| 23 | P | SYS_PWR | Power Output which come from BAT_IN or ADAP_IN |
| 24 | P | BK_VDD | 1.8V buck VDD Power Input; Connect to SYS_PWR pin |
| 25 | P | BK_LX | 1.8V buck pin for switch |
| 26 | P | BK_O | 1.8V buck feedback input |
| 27 | I | PWR | Multi-Function Push Button and power on key |
| 28 | - | NC | No Connection |
| 29 | I | LED2 | LED Driver 2 |
| 30 | I | LED1 | LED Driver 1 |
| 31 | I/O | P0_0 | IO pin, default pull-high input (Note 1) 1. Slide Switch Detector, active low. 2. UART TX_IND, active low. |
| 32 | I/O | P0_3 | IO pin, default pull-high input (Note 1) 1. REV key (default), active low. 2. Buzzer Signal Output 3. Out_Ind_1 4. Class1 RX Control signal of external RF T/R switch, active high. |
| 33 | P | CLDO_O | 1.2V core LDO output |
| 34 | P | PMIC_IN | PMU blocks power input; Connect to BK_O pin |
| 35 | P | RFLDO_O | 1.28V RF LDO output |
| 36 | P | VBG | Bandgap output reference for decoupling interference |
| 37 | P | ULPC_VSUS | ULPC 1.2V output power. |
| 38 | I | XO_N | 16MHz Crystal input negative |
| 39 | I | XO_P | 16MHz Crystal input positive |
| 40 | P | VCC_RF | RF power input (1.28V) for both synthesizer and TX/RX block; Connect to RFLDO_O pin |
| 41 | I/O | RTX | RF RTX path |
| 42 | I | P0_2 | IO pin, default pull-high input (Note 1) Play/Pause key (default), active low. |

Stereo Audio SoC

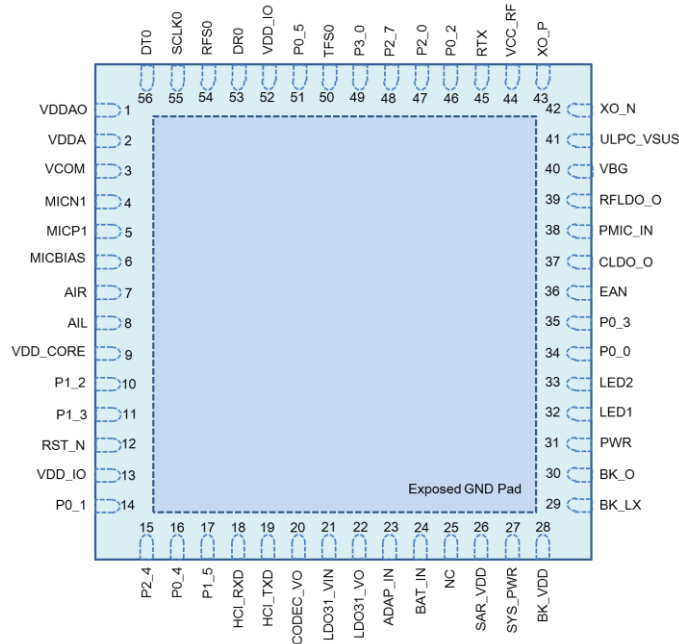
| Pin No. | Pin type | Name | Description |
|---------|----------|------|--|
| 43 | I | P2_0 | IO pin, default pull-high input (Note 1) System Configuration, H: Application L: Baseband(IBDK Mode) |
| 44 | I | P2_7 | IO pin, default pull-high input (Note 1) Volume up key (default), active low. |
| 45 | I | P0_5 | IO pin, default pull-high input (Note 1) Volume down (default), active low. |

| Pin No. | Pin type | Name | Description |
|---------|----------|--------|--|
| 46 | P | VDD_IO | I/O power supply input (2.7~3.3V); Connect to LDO31_VO pin |
| 47 | - | NC | No Connection. |
| 48 | O | AOHPR | R-channel analog headphone output |
| 49 | P | EP | Exposed pad as ground |

- * I: signal input pin
- * O: signal output pin
- * I/O: signal input/output pin
- * P: power pin

Note 1: These button or functions can be setup by “IS20XXS_UI” tool.

TABLE 3-3: IS2023S PIN DESCRIPTION



| Pin No. | Pin type | Name | Description |
|---------|----------|----------|---|
| 1 | P | VDDAO | Positive power supply dedicated to CODEC output amplifiers; Connect to CODEC_VO pin |
| 2 | P | VDDA | Positive power supply/reference voltage for CODEC; Connect to CODEC_VO pin |
| 3 | P | VCOM | Internal biasing voltage for CODEC |
| 4 | I | MICN1 | Mic 1 mono differential analog negative input |
| 5 | I | MICP1 | Mic 1 mono differential analog positive input |
| 6 | P | MIC_BIAS | Electric microphone biasing voltage |
| 7 | I | AIR | R-channel single-ended analog inputs |
| 8 | I | AIL | L-channel single-ended analog inputs |
| 9 | P | VDD_CORE | Core 1.2V power input; Connect to CLDO_O pin |
| 10 | O | P1_2 | IO pin, default pull-high input EEPROM clock SCL |
| 11 | I/O | P1_3 | IO pin, default pull-high input EEPROM data SDA |
| 12 | I | RST_N | System Reset Pin, active when rising edge. |
| 13 | P | VDD_IO | I/O power supply input (2.7~3.3V); Connect to LDO31_VO pin |
| 14 | I/O | P0_1 | IO pin, default pull-high input |

Stereo Audio SoC

| Pin No. | Pin type | Name | Description |
|---------|----------|-----------|--|
| 15 | I | P2_4 | IO pin, default pull-high input System Configuration, L: Boot Mode with P2_0 low combination |
| 16 | I/O | P0_4 | IO pin, default pull-high input. |
| 17 | I/O | P1_5 | IO pin, default pull-high input |
| 18 | I | HCI_RXD | HCI-UART RX data |
| 19 | O | HCI_TXD | HCI-UART TX data |
| 20 | P | CODEC_VO | 3.1V LDO output for CODEC power |
| 21 | P | LDO31_VIN | 3.1V LDO input; Connect to SYS_PWR pin |
| 22 | P | LDO31_VO | 3.1V LDO output |
| 23 | P | ADAP_IN | 5V power adaptor input |
| 24 | P | BAT_IN | 3.3~4.2V Li-ion battery input |
| 25 | - | NC | No Connection |
| 26 | P | SAR_VDD | SAR 1.8V input; Connect to BK_O pin |
| 27 | P | SYS_PWR | Power Output which come from BAT_IN or ADAP_IN |
| 28 | P | BK_VDD | 1.8V buck VDD Power Input; Connect to SYS_PWR pin |
| 29 | P | BK_LX | 1.8V buck pin for switch |
| 30 | P | BK_O | 1.8V buck feedback input |
| 31 | I | PWR | 1. Multi-Function Push Button and power on key 2. UART RX_IND |
| 32 | I | LED2 | LED Driver 2 |
| 33 | I | LED1 | LED Driver 1 |
| 34 | I/O | P0_0 | IO pin, default pull-high input (Note 1) UART TX_IND |
| 35 | I/O | P0_3 | IO pin, default pull-high input |
| 36 | I | EAN | Embedded ROM/External Flash enable H: Embedded; L: External Flash |
| 37 | P | CLDO_O | 1.2V core LDO output |
| 38 | P | PMIC_IN | PMU blocks power input; Connect to BK_O pin |
| 39 | P | RFLDO_O | 1.28V RF LDO output |
| 40 | P | VBG | Bandgap output reference for decoupling interference |
| 41 | P | ULPC_VSUS | ULPC 1.2V output power. |
| 42 | I | XO_N | 16MHz Crystal input negative |
| 43 | I | XO_P | 16MHz Crystal input positive |
| 44 | P | VCC_RF | RF power input (1.28V) for both synthesizer and TX/RX block; Connect to RFLDO_O pin |
| 45 | I/O | RTX | RF RTX path |
| 46 | I/O | P0_2 | IO pin, default pull-high input |
| 47 | I | P2_0 | IO pin, default pull-high input System Configuration, H: Application L: Baseband(IBDK Mode) |

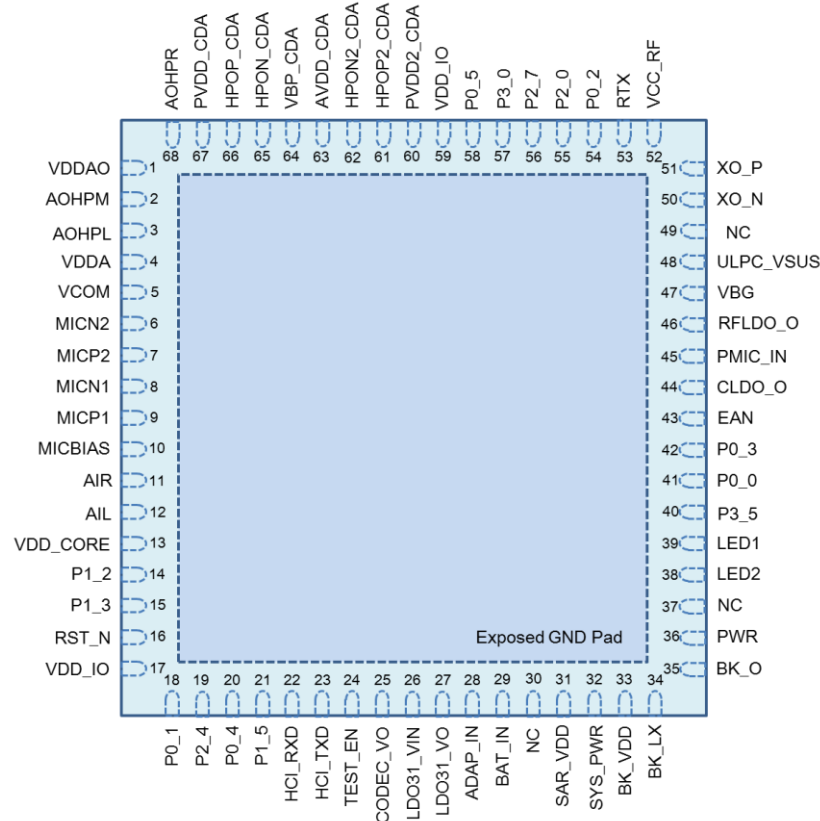
Stereo Audio SoC

| Pin No. | Pin type | Name | Description |
|---------|----------|--------|--|
| 48 | I/O | P2_7 | IO pin, default pull-high input |
| 49 | I/O | P3_0 | IO pin, default pull-high input |
| 50 | I/O | TFS0 | I ² S interface: ADC Left/Right Clock |
| 51 | I/O | P0_5 | IO pin, default pull-high input |
| 52 | P | VDD_IO | I/O power supply input (2.7~3.3V); Connect to LDO31_VO pin |
| 53 | I/O | DR0 | I ² S interface: DAC Digital Left/Right Data |
| 54 | I/O | RFS0 | I ² S interface: DAC Left/Right Clock |
| 55 | I/O | SCLK0 | I ² S interface: Bit Clock |
| 56 | I/O | DT0 | I ² S interface: ADC Digital Left/Right Data |
| 57 | P | EP | Exposed pad as ground |

- * I: signal input pin
- * O: signal output pin
- * I/O: signal input/output pin
- * P: power pin

Note 1: These button or functions can be setup by “IS20XXS_UI” tool.

TABLE 3-4: IS2025S PIN DESCRIPTION



| Pin No. | Pin type | Name | Description |
|---------|----------|----------|---|
| 1 | P | VDDAO | Positive power supply dedicated to CODEC output amplifiers; Connect to CODEC_VO pin |
| 2 | O | AOHPM | Headphone common mode output/sense input. |
| 3 | O | AOHPL | L-channel analog headphone output |
| 4 | P | VDDA | Positive power supply/reference voltage for CODEC; Connect to CODEC_VO pin |
| 5 | P | VCOM | Internal biasing voltage for CODEC |
| 6 | I | MICN2 | Mic 2 mono differential analog negative input |
| 7 | I | MICP2 | Mic 2 mono differential analog positive input |
| 8 | I | MICN1 | Mic 1 mono differential analog negative input |
| 9 | I | MICP1 | Mic 1 mono differential analog positive input |
| 10 | P | MIC_BIAS | Electric microphone biasing voltage |

Stereo Audio SoC

| Pin No. | Pin type | Name | Description |
|---------|----------|----------|---|
| 11 | I | AIR | R-channel single-ended analog inputs |
| 12 | I | AIL | L-channel single-ended analog inputs |
| 13 | P | VDD_CORE | Core 1.2V power input; Connect to CLDO_O pin |
| 14 | O | P1_2 | IO pin, default pull-high input EEPROM clock SCL |
| 15 | I/O | P1_3 | IO pin, default pull-high input EEPROM data SDA |

| Pin No. | Pin type | Name | Description |
|---------|----------|-----------|---|
| 16 | I | RST_N | System Reset Pin, active when rising edge. |
| 17 | P | VDD_IO | I/O power supply input (2.7~3.3V); Connect to LDO31_VO pin |
| 18 | I/O | P0_1 | IO pin, default pull-high input (Note 1) 1. FWD key when class 2 RF, active low. 2. Class1 TX Control signal of external RF T/R switch, active high. |
| 19 | I | P2_4 | IO pin, default pull-high input System Configuration, L: Boot Mode with P2_0 low combination |
| 20 | I/O | P0_4 | IO pin, default pull-high input. (Note 1) 1. NFC detection pin, active low. 2. Out_Ind_0 |
| 21 | I/O | P1_5 | IO pin, default pull-high input (Note 1) 1. NFC detection pin, active low. 2. Out_Ind_0 3. Slide Switch Detector, active low. 4. Buzzer Signal Output |
| 22 | I | HCI_RXD | HCI-UART RX data |
| 23 | O | HCI_TXD | HCI-UART TX data |
| 24 | I | TEST_EN | Scan chain test enable pin, active high. |
| 25 | P | CODEC_VO | 3.1V LDO output for CODEC power |
| 26 | P | LDO31_VIN | 3.1V LDO input; Connect to SYS_PWR pin |
| 27 | P | LDO31_VO | 3.1V LDO output |
| 28 | P | ADAP_IN | 5V power adaptor input |
| 29 | P | BAT_IN | 3.3~4.2V Li-Ion battery input |
| 30 | - | NC | No Connection |
| 31 | P | SAR_VDD | SAR 1.8V input; Connect to BK_O pin |
| 32 | P | SYS_PWR | Power Output which come from BAT_IN or ADAP_IN |
| 33 | P | BK_VDD | 1.8V buck VDD Power Input; Connect to SYS_PWR pin |
| 34 | P | BK_LX | 1.8V buck pin for switch |
| 35 | P | BK_O | 1.8V buck feedback input |
| 36 | I | PWR | Multi-Function Push Button and power on key |
| 37 | - | NC | No Connection |

Stereo Audio SoC

| Pin No. | Pin type | Name | Description |
|---------|----------|------|---|
| 38 | I | LED2 | LED Driver 2 |
| 39 | I | LED1 | LED Driver 1 |
| 40 | I/O | P3_5 | IO pin, default pull-high input |
| 41 | I/O | P0_0 | IO pin, default pull-high input (Note 1) 1. Slide Switch Detector, active low. 2. UART TX_IND, active low. |
| 42 | I/O | P0_3 | IO pin, default pull-high input (Note 1) 1. REV key (default), active low. 2. Buzzer Signal Output 3. Out_Ind_1 4. Class1 RX Control signal of external RF T/R switch, active high. |

| Pin No. | Pin type | Name | Description |
|---------|----------|-----------|--|
| 43 | I | EAN | Embedded ROM/External Flash enable H: Embedded; L: External Flash |
| 44 | P | CLDO_O | 1.2V core LDO output |
| 45 | P | PMIC_IN | PMU blocks power input. |
| 46 | P | RFLDO_O | 1.28V RF LDO output |
| 47 | P | VBG | Bandgap output reference for decoupling interference |
| 48 | P | ULPC_VSUS | ULPC 1.2V output power, maximum loading 1mA. |
| 49 | - | NC | No Connection. |
| 50 | I | XO_N | 16MHz Crystal input negative |
| 51 | I | XO_P | 16MHz Crystal input positive |
| 52 | P | VCC_RF | RF power input for both synthesizer and TX/RX block |
| 53 | I/O | RTX | RF RTX path |
| 54 | I/O | P0_2 | GPIO, default pull-high input (Note 1) Play/Pause key as the default setting |
| 55 | I/O | P2_0 | GPIO, default pull-high input (Note 1) 1. KEY PIN for FT Test 2. System Configuration, H: Application L: Baseband (IBDK Mode) 3. Buzzer Signal Output |
| 56 | I/O | P2_7 | GPIO, default pull-high input (Note 1) Volume up key (default) |
| 57 | I/O | P3_0 | GPIO, default pull-high input (Note 1) Line-in Detector |
| 58 | I/O | P0_5 | GPIO, default pull-high input (Note 1) Volume down (default) |
| 59 | P | VDD_IO | I/O power supply input |
| 60 | P | PVDD2_CDA | Supply voltage of power stage ch-2 . |
| 61 | O | HPOP2_CDA | Positive BTL output of channel-2 |
| 62 | O | HPON2_CDA | Negative BTL output of channel-2 |
| 63 | P | AVDD_CDA | Supply voltage of audio amplifier. |
| 64 | P | VBP_CDA | Reference voltage output. |
| 65 | O | HPON_CDA | Negative BTL output of channel-1 |

Stereo Audio SoC

| Pin No. | Pin type | Name | Description |
|---------|----------|----------|------------------------------------|
| 66 | O | HPOP_CDA | Positive BTL output of channel-1 |
| 67 | P | PVDD_CDA | Supply voltage of power stage ch-1 |
| 68 | O | AOHPR | R-channel analog headphone output |
| 69 | P | EP | Exposed pad as ground |

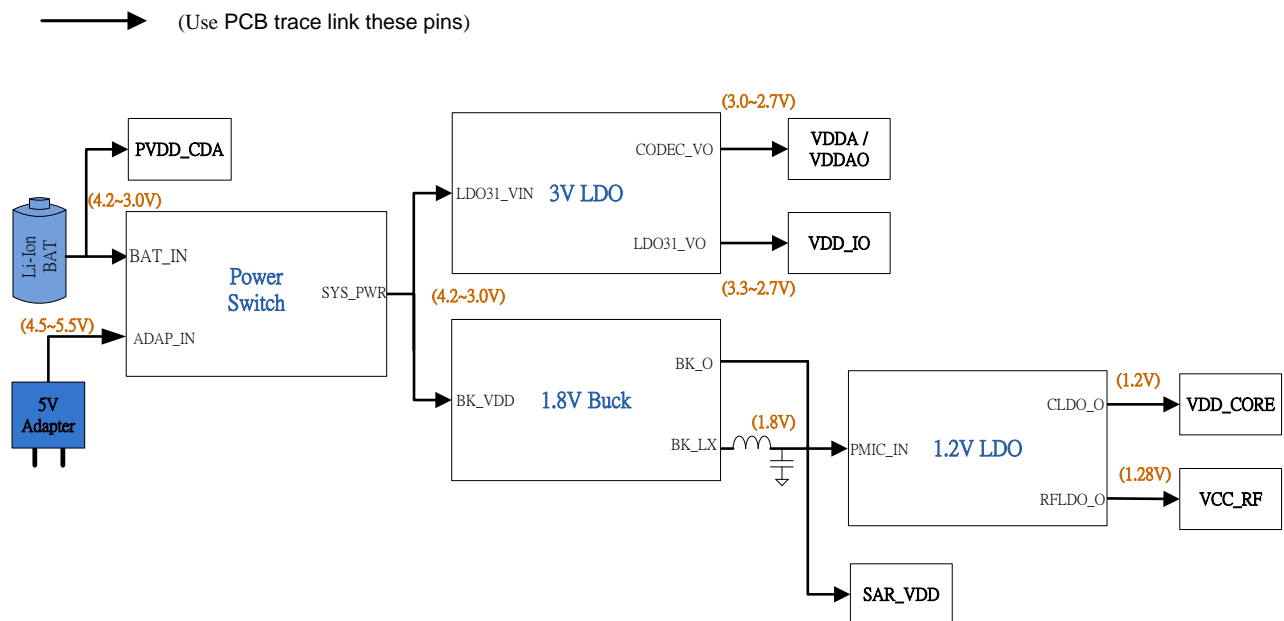
- * I: signal input pin
- * O: signal output pin
- * I/O: signal input/output pin
- * P: power pin

Note 1: These button or functions can be setup by “IS20XXS_UI” tool.

3.2 POWER SUPPLY

The device is powered via BAT pin input. If a battery is not connected, an external power supply needs to provide to this input. Figure 3-1 shows the PCB connections from BAT pin to other voltage supply pins of the chip.

FIGURE 3-1: POWER TREE DIAGRAM



4.0 TRANSCEIVER

The stereo audio chip is designed and optimized for Bluetooth 2.4 GHz system. It contains a complete radio frequency transmitter/receiver section. An internal synthesizer generates a stable clock for synchronize with another device.

4.1 TRANSMITTER

The internal PA has a maximum output power of +4dBm with 20dB power level control. This is applied into Class2/3 radios without external RF PA.

The transmitter directly performs IQ conversion to minimize the frequency drift, and it can excess 20dB power range with temperature compensation mechanism.

4.2 RECEVIER

The LNA operates with TR-combined mode for single port application. It can save a pin on package and without an external TX/RX switch.

The ADC is utilized to sample the input analog wave and convert into digital signal for de-modulator analysis. A channel filter has been integrated into receiver channel before the ADC, which to reduce the external component count and increase the anti-interference capability.

The image rejection filter is used to reject image frequency for low-IF architecture. This filter for low-IF architecture is intent to reduce external BPF component for super heterodyne architecture.

RSSI signal is feedback to the processor to control the RF output power to make a good tradeoff for effective distance and current consumption.

4.3 SYNTHESIZER

A synthesizer generates a clock for radio transceiver operation. There is a VCO inside with tunable internal LC tank. It can reduce variation for components. A crystal oscillation with internal digital trimming circuit provides a stable clock for synthesizer.

4.4 MODEM

For Bluetooth v1.2 specification and below, 1 Mbps was the standard data rate based on Gaussian Frequency Shift Keying (GFSK) modulation scheme. This basic rate modem meets BDR requirements of Bluetooth v2.0 with EDR specification.

For Bluetooth v2.0 with EDR specification, Enhanced Data Rate (EDR) has been introduced to provide 2 and 3 Mbps data rates as well as 1 Mbps. This enhanced data rate modem meets EDR requirements of Bluetooth v2.0 with EDR specification. For the viewpoint of baseband, both BDR and EDR utilize the same 1MHz symbol rate and 1.6 KHz slot rate. For BDR, 1 symbol represents 1 bit. However each symbol in the payload part of EDR packets represents 2 or 3 bits. This is achieved by using two different modulations, $\pi/4$ DQPSK and 8DPSK.

4.5 AFH (Adaptive Frequency Hopping)

Stereo audio chip have AFH function to avoid RF interference. It has an algorithm to check the interference nearby and choice clear channel to transceiver Bluetooth signal.

5.0 MICROPROCESSOR

A single-cycle 8-bit MCU is built into the stereo audio chip to execute the Bluetooth protocols. It operates from 16MHz to higher frequency where the firmware can dynamically adjust the tradeoff between the computing power and the power consumption. The MCU firmware is hard-wired in ROM to minimize the firmware execution power consumption and to save the external flash cost.

5.1 MEMORY

A synchronous single port RAM interface is used. There are sufficient ROM and RAM to fulfill the requirement of processor. A register bank, a dedicated single port memory and a flash memory are connected to the processor bus. The processor coordinates all the link control procedures and data movement using a set of pointers registers.

5.2 EXTERNAL RESET

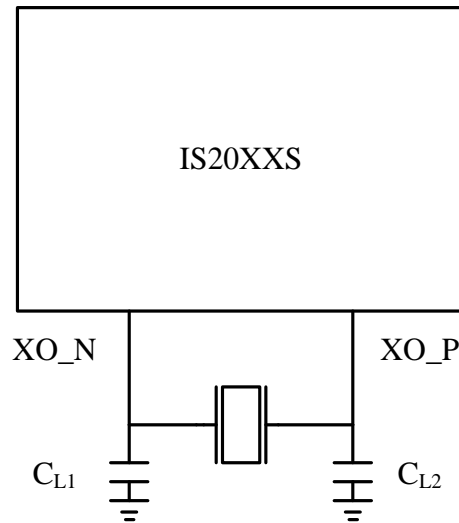
The chip provides a watchdog timer to reset the chip. It has an integrated Power-On Reset (POR) circuit that resets all circuits to a known power-on state. This action can also be driven by an external reset signal that can be used to externally control the device, forcing it into a power-on reset state. The RST signal input is active low and no connection is required in most applications.

5.3 REFERENCE CLOCK

Stereo audio chip is composed of an integrated crystal oscillation function. It uses a 16 MHz external crystal and two specified loading capacitors to provide a high quality system reference timer source. This feature is typically used to remove the initial tolerance frequency errors associated with the crystal and its equivalent loading capacitance in mass production. Frequency trim is achieved by adjusting the crystal loading capacitance through the on-chip trim capacitors C_{trim} .

The value of trimming capacitance is around 200fF (200×10^{-15} F) per LSB at 5 bits word, therefore the overall adjustable clock frequency is around 40 KHz.

FIGURE 5-1: CRYSTAL CONNECTION



$$C_{trim} = 200\text{fF} * (1 \sim 31) ; C_{int} \approx 3\text{pF}$$

$$C_L = [(C_{L1} * C_{L2}) / (C_{L1} + C_{L2})] + (C_{trim} / 2) + C_{int}$$

(e.g. Set trim value as 16, then $C_{trim} = 3.2\text{pF}$.)

For a 16M Hz crystal which $C_L = 9\text{pF}$, we can get $C_{L1} = C_{L2} = 9.1\text{pF}$ in this case.)

For C_L selection, please refer to the datasheet of crystal vendor

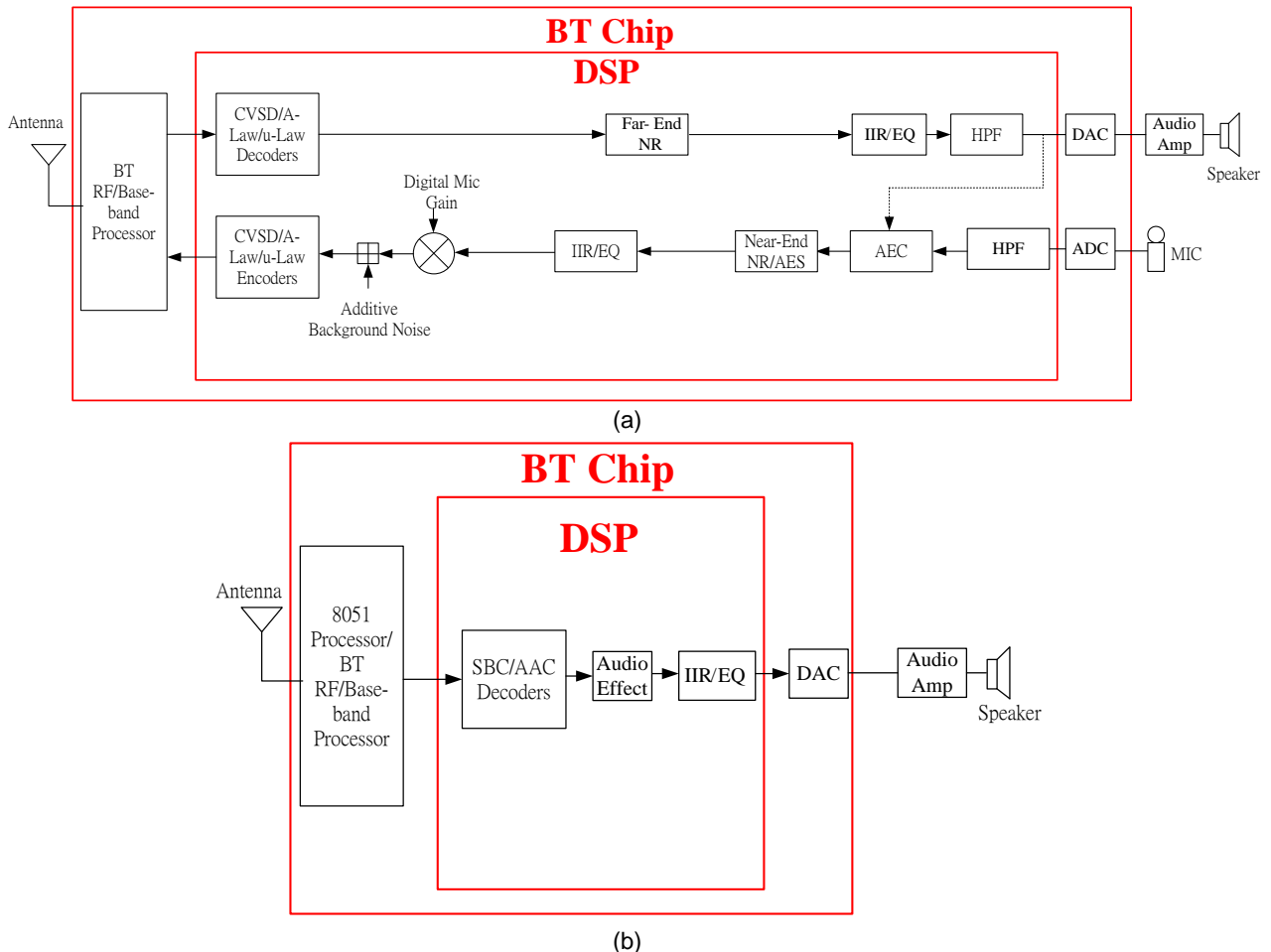
6.0 AUDIO

There are a few stages for input audio and output audio. Each stage can be programmed to vary the gain response characteristics. For microphone input, both single-end input and differential input are supported. One of the important points in maintaining a high quality signal is to provide a stable bias voltage source to the condenser microphone's FET. DC blocking capacitors may be used at both positive and negative sides of input. Internally, this analog signal is converted to 16-bit 8 kHz linear PCM data.

6.1 DIGITAL SIGNAL PROCESSOR

A digital signal processor (DSP) cooperates with MCU to perform digital audio processing with some advanced features such as noise cancellation, audio output level suppression and etc. It provides audio processing with some advanced features. The DSP cancels the acoustic echo that may present in headset or speaker. All the audio processing is performed by the DSP with low power consumption. This technique effectively cancels the incoming echo signal without impact to the desired voice signal. An outgoing signal to the speaker which level exceeds the threshold (and therefore deemed likely to create echo) will be result in suppression of the signal along the input path from the microphone. Filtering is also applied to provide a smoother transition for more natural user experience.

FIGURE 6-1: BLOCK DIAGRAM OF DSP



Processing flow of speakerphone applications for (a) speech and (b) audio signal processing.

There is a “DSPTool_IS20XX” can support user to set up these DSP parameter. For more detail information, please reference “BT5502_DSP_APP” document.

6.2 CLASS-D AUDIO AMPLIFIER

The class D amplifier has significant advantage in many applications because of its lower power dissipation which produces less heat. IS2025S chip has built-in a class D amplifier that reduces circuit board space and system cost. The efficiency of the amplifier extends the battery life in portable systems.

The class D amplifier is implemented by using a full-bridge output stage. A full bridge uses two half-bridge stages to drive the load differentially. It provides a good signal to noise ratio (SNR) and enough drive capability for a 4 Ohm speaker driver.

6.3 CODEC

The built-in codec has a high Signal to Noise ratio performance. This built-in codec consist of an analog to digital converter (ADC), a digital to analog converter (DAC) and additional analog circuitry.

6.4 LINE IN (Aux In)

The chip supports one analog line in from external audio source. The analog line in signal can be processed by the DSP to generate different sound effect (Multi-band Dynamic Range Compression, Audio Widening). The sound effect can be set up by DSP tool.

7.0 POWER MANAGEMENT UNIT

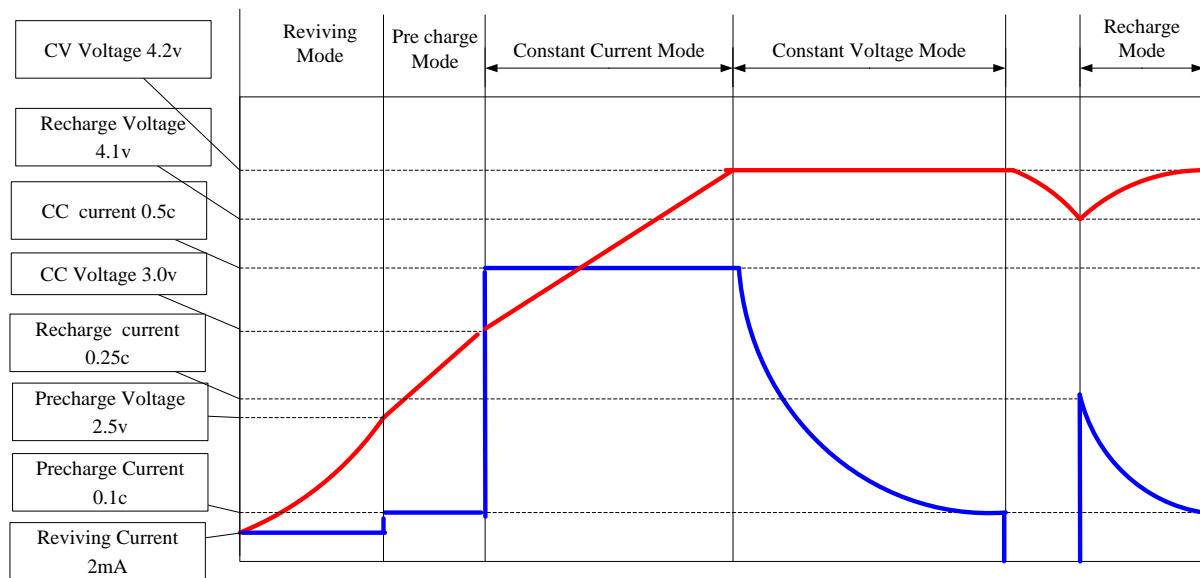
The on-chip Power management Unit (PMU) has two main features; Lithium Ion battery charging and voltage regulation. A power switch is used to switch over the power source between battery and adaptor automatically. The PMU also provides driving current for 2 LEDs.

7.1 CHARGING A BATTERY

Stereo audio chip has a built-in battery charger which is optimized for lithium polymer batteries. The charger includes a current sensor for charging control, user programmable current regulation and high accuracy voltage regulation.

The charging current parameters are configured by "IS20XXS_UI" tool. Whenever the adaptor is plug-in, the charging circuit will be activated. Reviving, Pre-charging, Constant Current and Constant Voltage modes are implemented and re-charging function is also included. The maximum charging current is 350mA.

FIGURE 7-1: CHARGING CURVE



7.2 VOLTAGE MONITORING

A 10-bit Successive-Approximation-Register analog to digital converter (SAR ADC) provides one dedicated channel for battery voltage level detection. The warning level is programmable by "IS20XXS_UI" tool. This ADC provides a good resolution that MCU can control the charging process.

7.3 LDO

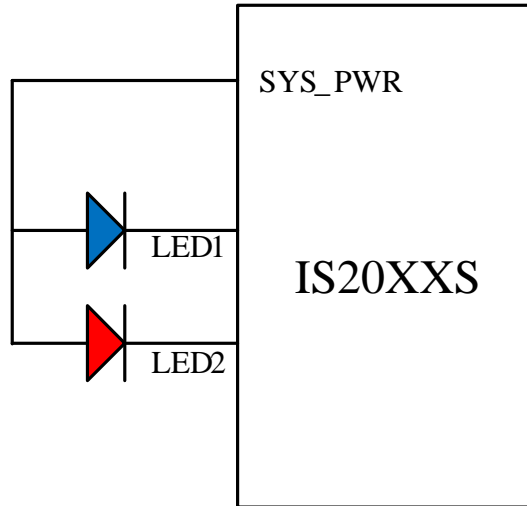
The built-in LDO is used to convert the battery or adaptor power for power supply. It also integrates hardware architecture to control power on/off procedure. The built-in programmable LDOs provide power for codec and digital IO pads. It is used to buffer the high input voltage from battery or adapter. This LDO needs 1uF bypass capacitor.

7.4 SWITCHING REGULATOR

The built-in programmable output voltage regulator can convert battery voltage for RF and baseband core power supply. This converter has high conversion efficiency and fast transient response.

7.5 LED DRIVER

There are two dedicate LED drivers to control the LEDs. They provide enough sink current (16 step control and 0.35mA for each step) that LED can be connected directly with IS20XXS. LED setting can be set up by "IS20XXS_UI" tool.



8.0 GENERAL PURPOSE IOs

Stereo audio chip provides six IOs for key functions. The corresponding key functions can be set up by "IS20XXS_UI" tool. The first button (Button 0) must be power key. The power on/off functions only can be set on PWR pin. There are four different operations (short click, long click, double click and combinations) for every button can be defined as different functions. All these function can be set up by "IS20XXS_UI" tool.

IO Pin for Buttons

| Button Name | Default Functions | IO pin name |
|-------------|-------------------|-------------|
| Button 0 | Power / MFB | PWR |
| Button 1 | PLAY/PAUSE | P0_2 |
| Button 2 | Volume UP | P2_7 |
| Button 3 | Volume DOWN | P0_5 |
| Button 4 | FWD | P0_1 |
| Button 5 | REV | P0_3 |

Note: All these function can be set up by "IS20XXS_UI" tool.

Some signals were generated to indicate or control outside devices. The most popular applications are NFC for easy pairing, external audio amplifier for louder speaker and buzzer for indication.

IOs pin for added functions

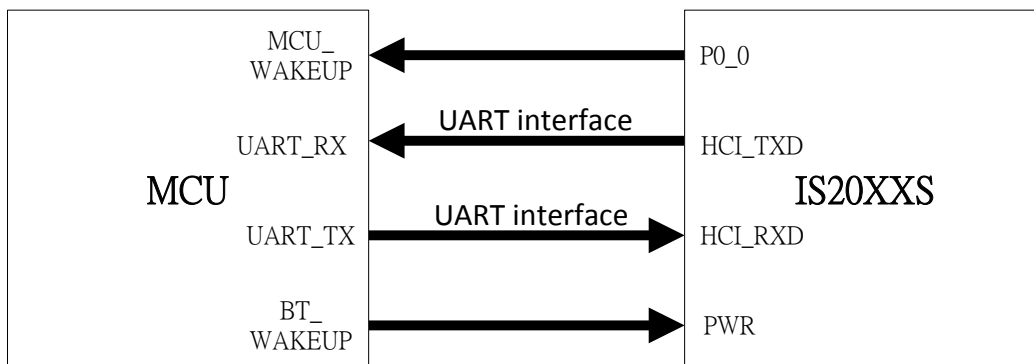
| Functions | IO configurable features |
|---------------------|--------------------------|
| Slide switch | P0_0 / P1_5 |
| Buzzer | P0_3 |
| NFC detect | P0_4 / P1_5 |
| External AMP enable | P1_5 |

Note: All these function can be set up by "IS20XXS_UI" tool.

9.0 OPERATION WITH EXTERNAL MCU

IS20XXS support UART command set to make an external MCU to control IS20XXS chip. Here is the connection interface between IS20XXS and MCU.

FIGURE 9-1: INTERFACE BETWEEN MCU AND IS20XX CHIP



MCU can control IS20XXS chip by UART interface and wakeup IS20XXS by PWR pin. IS20XXS provide wakeup MCU function by connect to P0_0 pin of IS20XX.

“UART_CommandSet_v154” document provide all UART command which IS20XX support and “IS20XXS_UI” tool will help you to set up your system support UART command.

For more detail description, please reference “UART_CommandSet_v154” document and “IS20XXS_UI” tool.

9.1 TIMING SEQUENCE OF UART APPLICATION FIGURE 9-2: POWER ON/OFF SEQUENCE

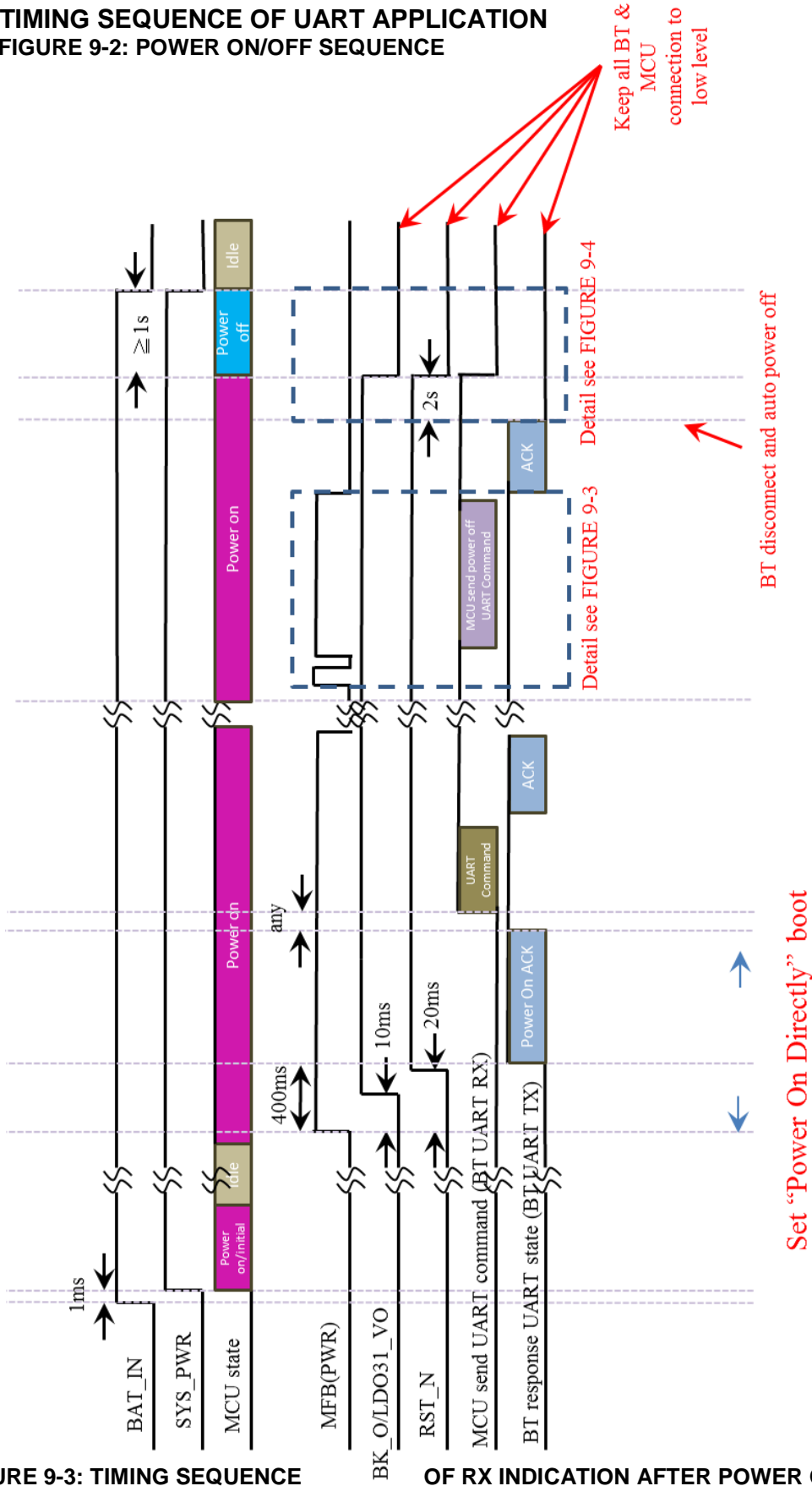


FIGURE 9-3: TIMING SEQUENCE

OF RX INDICATION AFTER POWER ON

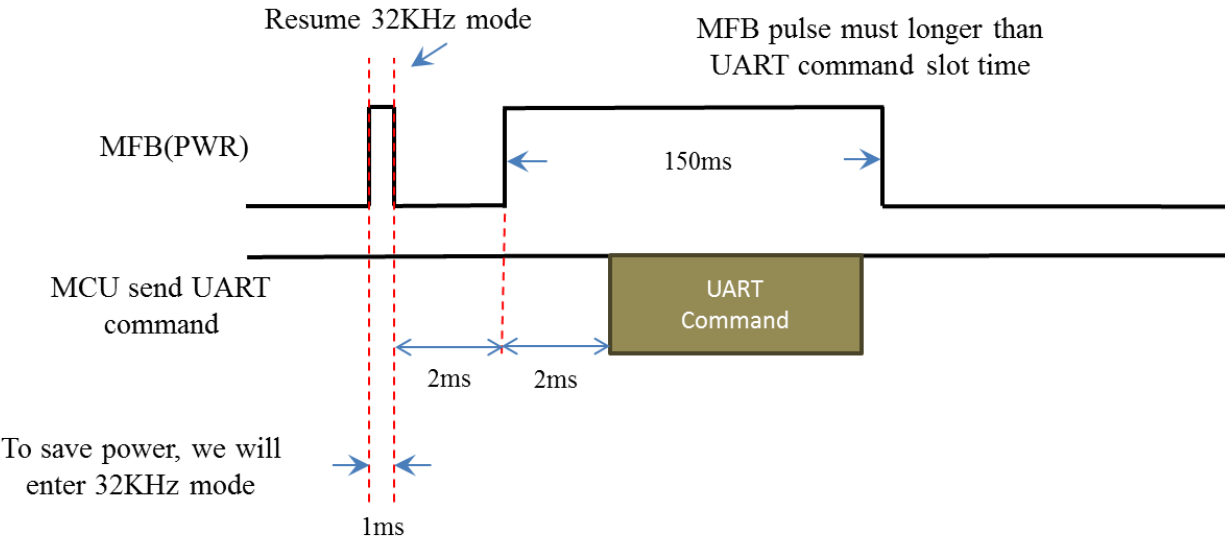
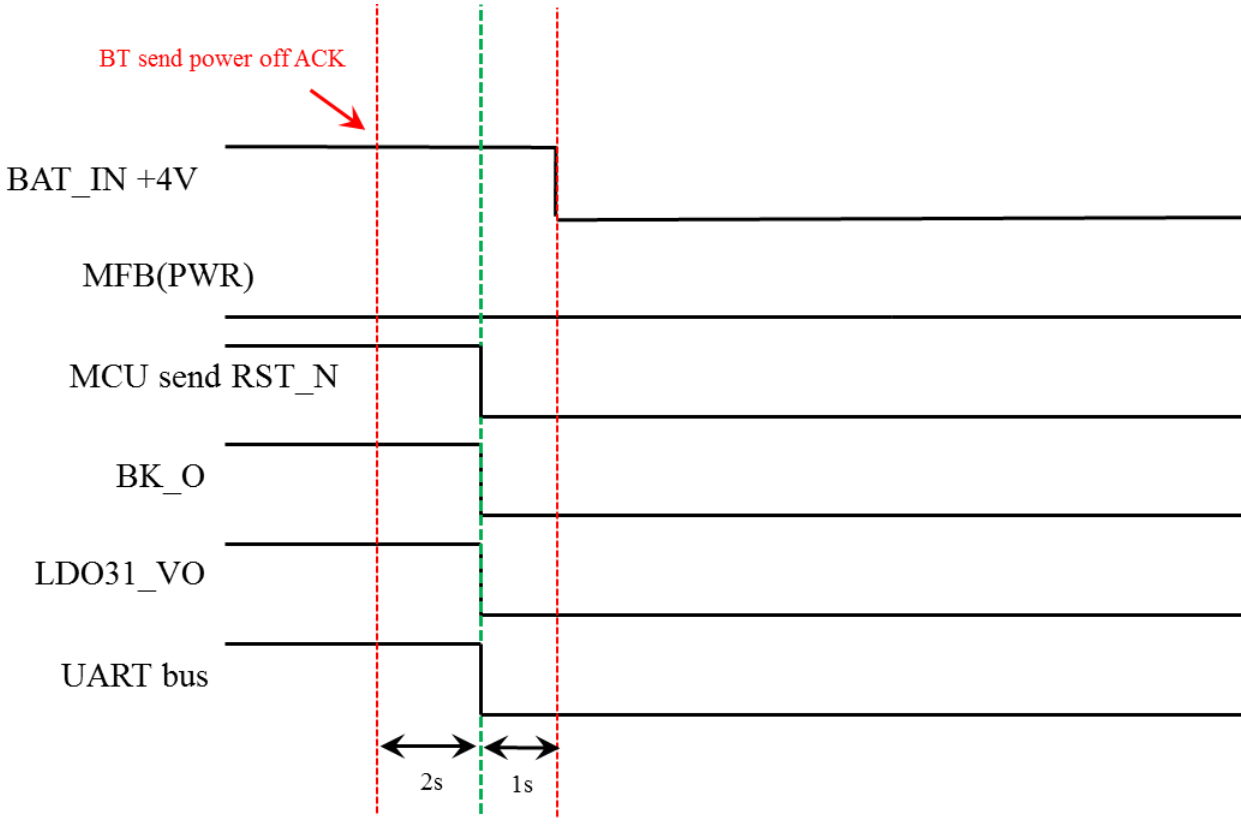


FIGURE 9-4: TIMING SEQUENCE OF POWER OFF



EEPROM clock= 100KHz
 For a byte write, $0.01\text{ms} \times 32\text{clock} \times 2 = 640\text{us}$
 If power drop faster than 640us, some issue may occurs, but the possibility is low

FIGURE 9-5: TIMING SEQUENCE OF POWER ON (NACK)

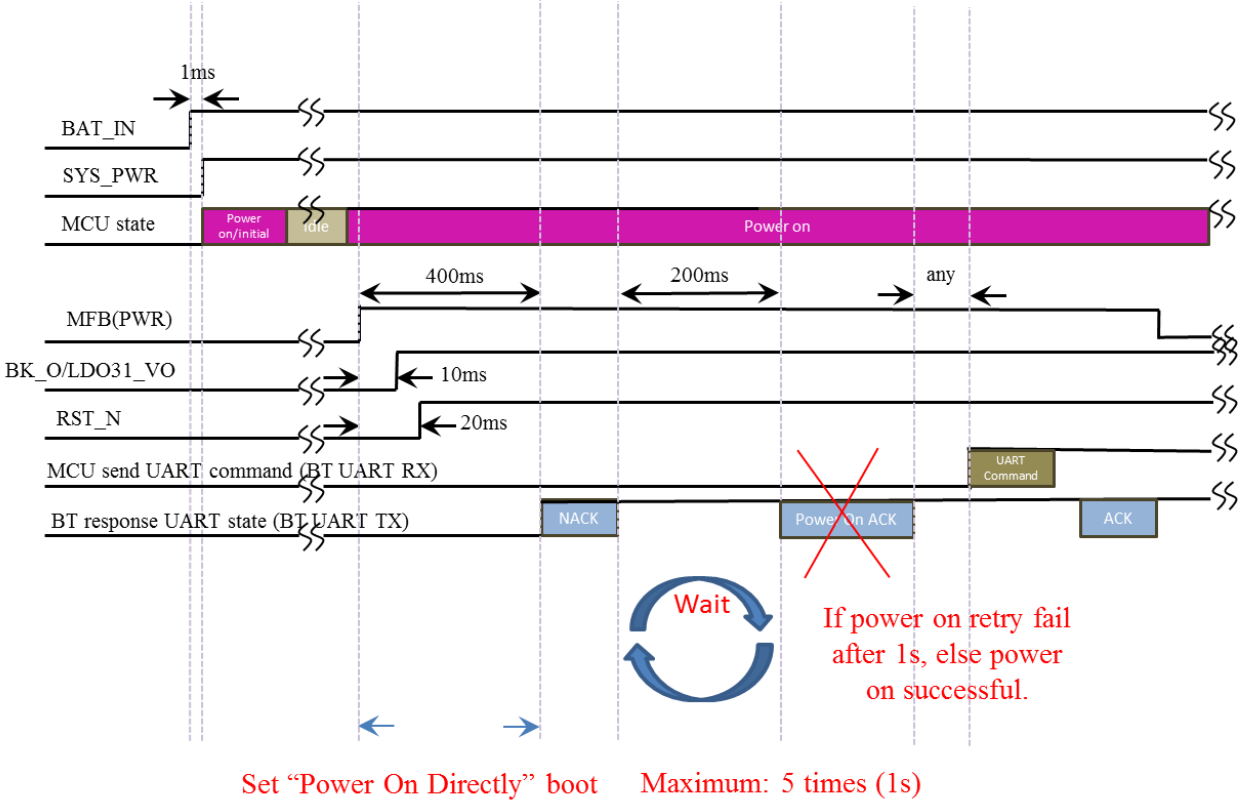
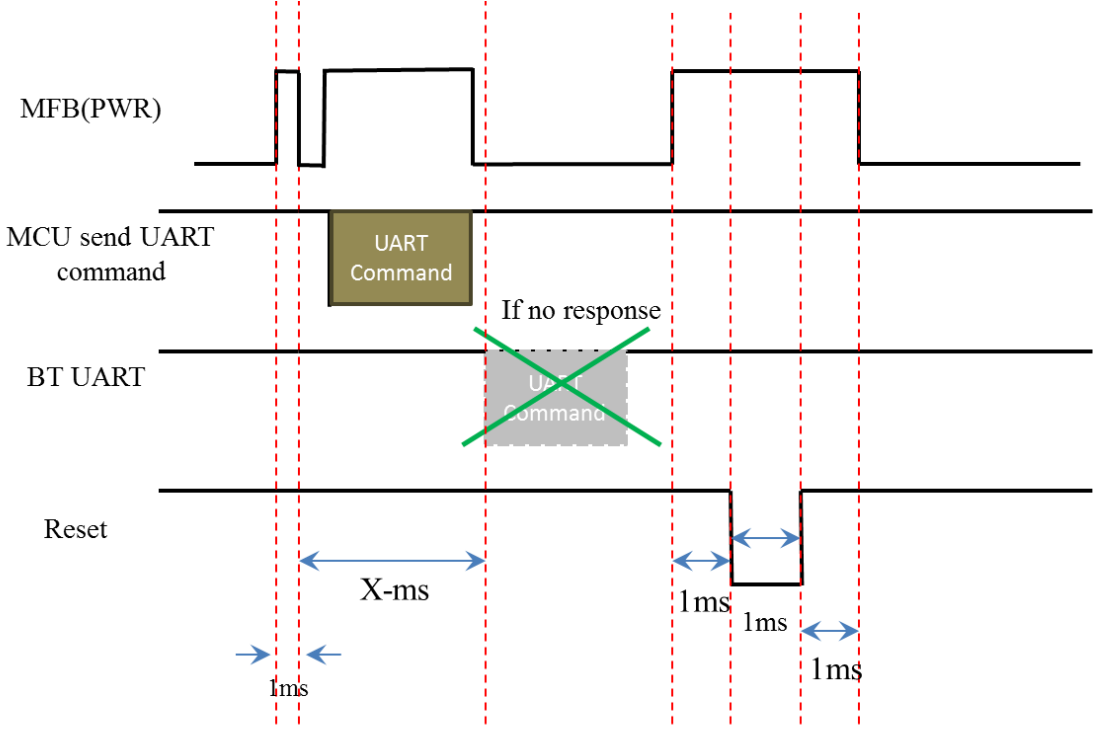
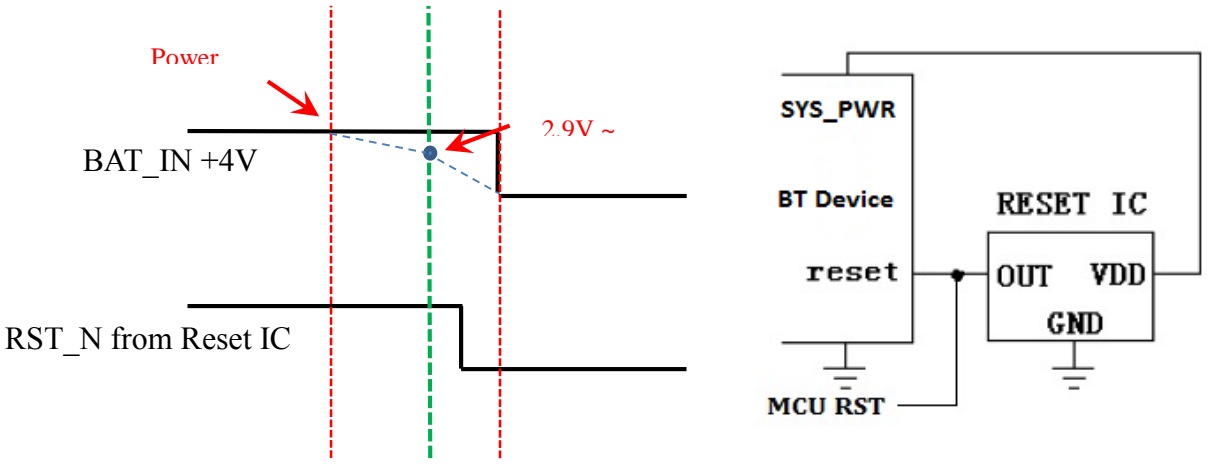


FIGURE 9-6: RESET TIMING SEQUENCE IF MODULE HANGS UP



If MCU send UART command, but BT does not response within X-ms,
MCU will send a reset signal to BT to do hardware reset

FIGURE 9-7: TIMING SEQUENCE OF POWER DROP PROTECTION



If BT's BAT use adaptor translates voltage by LDO, we recommend use "Reset IC" to avoid power off suddenly. Rest IC spec output pin must be "Open Drain" · delay time ≤ 10ms
Recommend part: TCM809SVNB713 or G691L263T73

10.0 I²S APPLICATION

IS2023S support I²S digital audio signal output. It provide 8k Hz, 44.1k Hz and 48k Hz sampling rate; it also support 16 bits and 24bits data format. The I²S setting can be set up by “IS20XXS_UI” tool and DSP tool.

The I²S signal connection between IS2023S and external DSP as below:

FIGURE 10-1: MASTER MODE REFERENCE CONNECTION

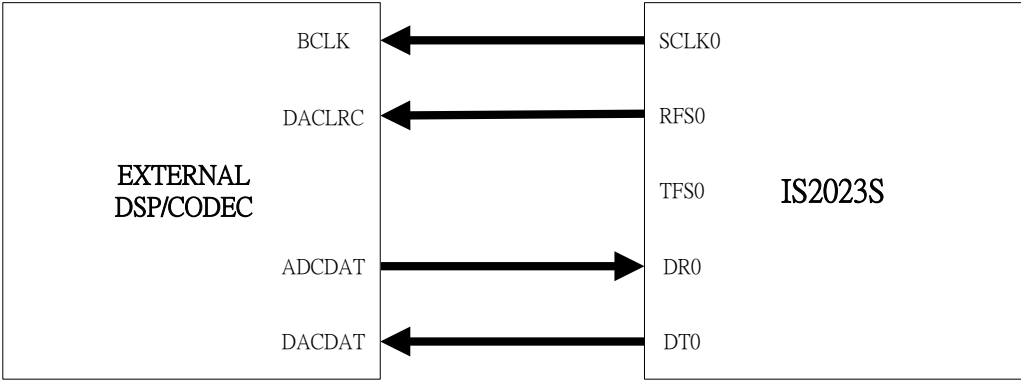
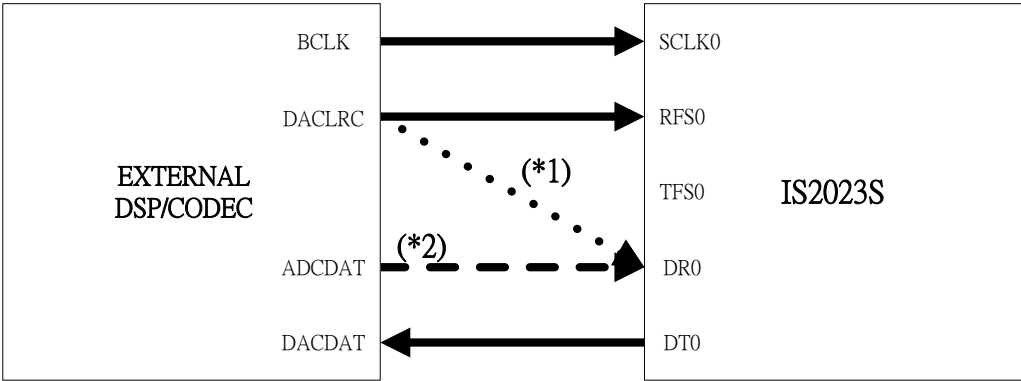


FIGURE 10-2: SLAVE MODE REFERENCE CONNECTION



Note 1: For 002 version chip or module, system should connect line 1 in slave mode figure. And, system not support ADC signal from external DSP/CODEC.

Note 2: For other version chip or module, system should connect line 2 in slave mode figure.

About “Mast” or “Slave” mode setting, you can use “DSP Configuration Tool” to set up system.

10.1 CLOCK AND DATA TIMING SEQUENCE

FIGURE 10-3: TIMING FOR I²S MODES (both master and slave)

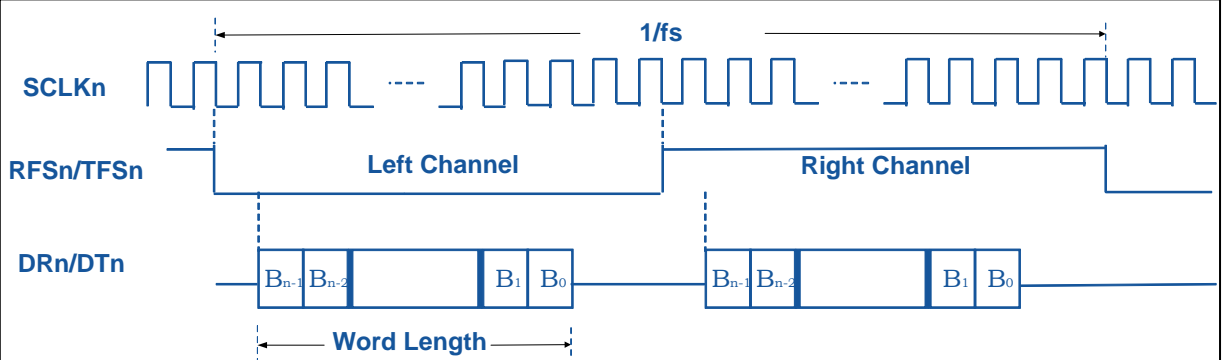
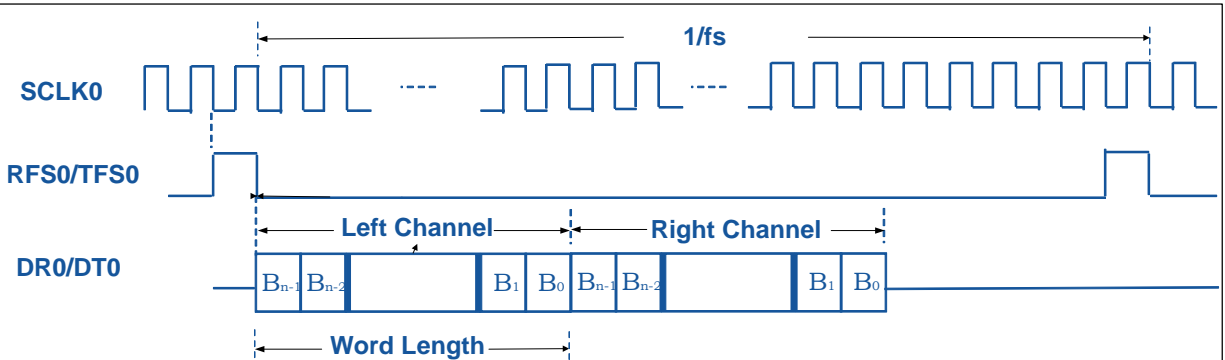


FIGURE 10-4: TIMING FOR PCM MODES (both master and slave)



11.0 ANTENNA PLACEMENT RULE

For Bluetooth product, antenna placement will affect whole system performance. Antenna need free space to transmit RF signal, it can't be surround by GND plane.

Here are some examples of good and poor placement on a Main Application board with GND plane.

FIGURE 11-1: ANTENNA PLACEMENT EXAMPLES

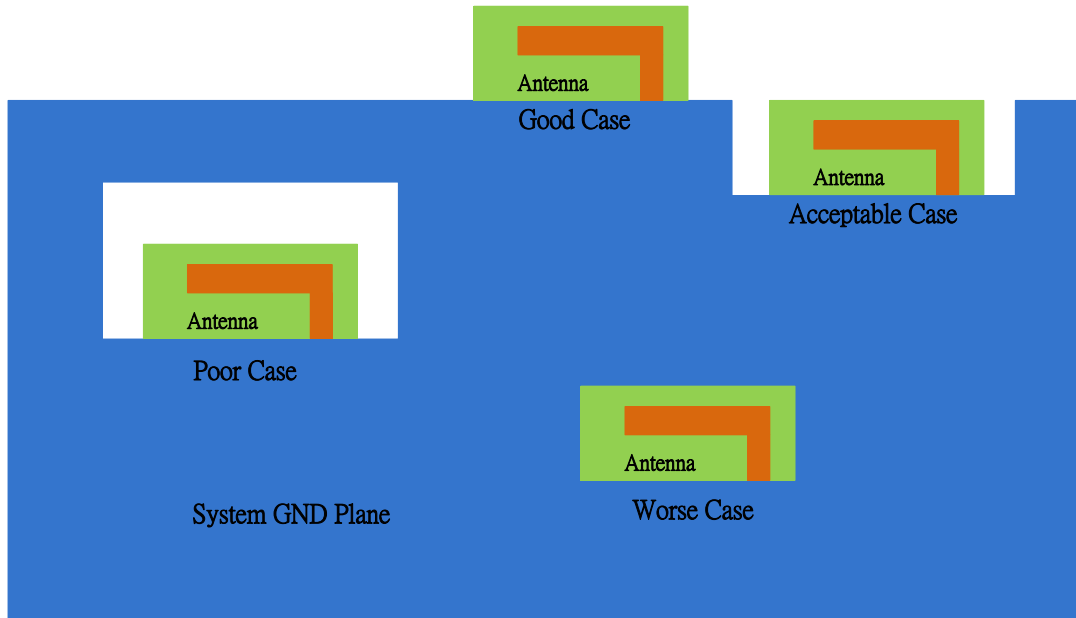
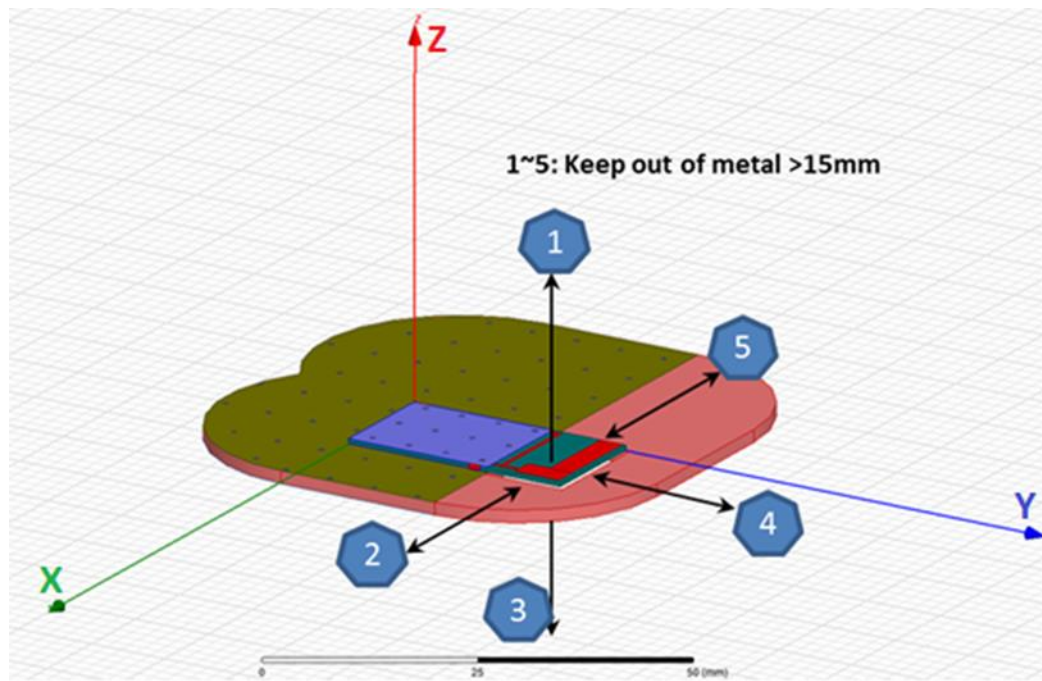


FIGURE 11-2: KEEP OUT AREA SUGGESTION FOR ANTENNA



For more detail free space of antenna placement design, you can reference the design rule of antenna produce vendor.

12.0 SPECIFICATIONS

Table 12-1: ABSOLUTE MAXIMUM SPECIFICATION

| Symbol | Parameter | Min | Max | Unit |
|------------------------|-----------------------------|-----|------|------|
| VDD_CORE | Digital core supply voltage | 0 | 1.35 | V |
| VCC_RF | RF supply voltage | 0 | 1.35 | V |
| SAR_VDD | SAR ADC supply voltage | 0 | 2.1 | V |
| VDDA/VDDAO | CODEC supply voltage | 0 | 3.3 | V |
| VDD_IO | I/O supply voltage | 0 | 3.6 | V |
| BK_VDD | BUCK supply voltage | 0 | 4.3 | V |
| LDO31_VIN | Supply voltage | 0 | 4.3 | V |
| BAT_IN | Input voltage for battery | 0 | 4.3 | V |
| ADAP_IN | Input voltage for adaptor | 0 | 7.0 | V |
| T _{STORE} | Storage temperature | -65 | +150 | °C |
| T _{OPERATION} | Operation temperature | -20 | +70 | °C |

Table 12-2: RECOMMENDED OPERATING CONDITION

| Symbol | Parameter | Min | Typical | Max | Unit |
|------------------------|-----------------------------|------|---------|------|------|
| VDD_CORE | Digital core supply voltage | 1.14 | 1.2 | 1.26 | V |
| VCC_RF | RF supply voltage | 1.22 | 1.28 | 1.34 | V |
| SAR_VDD | SAR ADC supply voltage | 1.62 | 1.8 | 1.98 | V |
| VDDA/VDDAO | CODEC supply voltage | 2.7 | 2.8 | 3.0 | V |
| VDD_IO | I/O supply voltage | 2.7 | 3.0 | 3.3 | V |
| BK_VDD | BUCK supply voltage | 3 | 3.7 | 4.25 | V |
| LDO31_VIN | Supply voltage | 3 | 3.7 | 4.25 | V |
| BAT_IN | Input voltage for battery | 3 | 3.7 | 4.25 | V |
| ADAP_IN | Input voltage for adaptor | 4.5 | 5 | 5.5 | V |
| T _{OPERATION} | Operation temperature | -20 | +25 | +70 | °C |

Note:

All these supply voltage are programmable by EEPROM parameters.

Stereo Audio SoC

Table 12-3: BUCK SWITCHING REGULATOR

| Parameter | Min | Typical | Max | Unit |
|--|------|---------|-------|---------|
| Input Voltage | 3.0 | 3.7 | 4.25 | V |
| Output Voltage ($I_{load}=70mA$, $V_{in}=4V$) | 1.7 | 1.8 | 2.05 | V |
| Output Voltage Accuracy | | ±5 | | % |
| Output Voltage Adjustable Step | | 50 | | mV/Step |
| Output Adjustment Range | -0.1 | | +0.25 | V |
| Average Load Current (I_{LOAD}) | 120 | | | mA |
| Conversion efficiency ($BAT=3.8V$, $I_{load} = 50mA$) | | 88 | | % |
| Quiescent Current (PFM) | | | 40 | μA |
| Output Current (peak) | 200 | | | mA |
| Shutdown Current | | | <1 | μA |

Note:

- (1) Test condition: SAR_VDD=1.8V, temperature=25 °C.
- (2) These parameters are characterized but not tested in manufacturing.

Table 12-4: LOW DROP REGULATOR

| Parameter | Min | Typical | Max | Unit |
|--|-----|-----------------|------|------|
| Input Voltage | 3.0 | 3.7 | 4.25 | V |
| Output Voltage | | $V_{OUT CODEC}$ | 2.8 | V |
| | | $V_{OUT IO}$ | 2.8 | |
| Output Accuracy ($V_{IN}=3.7V$, $I_{LOAD}=100mA$, 27°C) | | ±5 | | % |
| Output current (average) | | | 100 | mA |
| Drop-out voltage ($I_{load} = \text{maximum output current}$) | | | 300 | mV |
| Quiescent Current (excluding load, $I_{load} < 1mA$) | | 45 | | μA |
| Shutdown Current | | | <1 | μA |

Note:

- (1) Test condition: SAR_VDD=1.8V, temperature=25 °C.
- (2) These parameters are characterized but not tested in manufacturing.

Stereo Audio SoC

Table 12-5: BATTERY CHARGER

| Parameter | Min | Typical | Max | Unit | |
|---|-----------------------------------|---------|-----|------|----|
| Input Voltage | 4.5 | 5.0 | 5.5 | V | |
| Supply current to charger only | | 3 | 4.5 | mA | |
| Maximum Battery Fast Charge Current Note: ENX2=0 | Headroom > 0.7V (ADAP_IN=5V) | 170 | 200 | 240 | mA |
| | Headroom = 0.3V (ADAP_IN=4.5V) | 160 | 180 | 240 | mA |
| Maximum Battery Fast Charge Current Note: ENX2=1 | Headroom > 0.7V (ADAP_IN=5V) | 330 | 350 | 420 | mA |
| | Headroom = 0.3V (ADAP_IN=4.5V) | 180 | 220 | 270 | mA |
| Trickle Charge Voltage Threshold | | 3 | | V | |
| Battery Charge Termination Current, (% of Fast Charge Current) | | 10 | | % | |

Note:

- (1) Headroom = $V_{ADAP_IN} - V_{BAT}$
- (2) ENX2 is not allowed to be enabled when $V_{ADAP_IN} - V_{BAT} > 2V$
- (3) These parameters are characterized but not tested in manufacturing.

Table 12-6: LED DRIVER

| Parameter | Min | Typical | Max | Unit |
|-------------------------------|-----|---------|------|---------|
| Open-drain Voltage | | | 3.6 | V |
| Programmable Current Range | 0 | | 5.25 | mA |
| Intensity Control | | 16 | | step |
| Current Step | | 0.35 | | mA |
| Power Down Open-drain Current | | | 1 | μA |
| Shutdown Current | | | 1 | μA |

Note:

- (1) Test condition: SAR_VDD=1.8V, temperature=25 °C.
- (2) These parameters are characterized but not tested in manufacturing.

Stereo Audio SoC

Table 12-7: AUDIO CODEC DIGITAL TO ANALOGUE CONVERTER

| T= 25°C, V _{dd} =3.0V, 1KHz sine wave input, Bandwidth = 20Hz~20KHz | | | | | |
|--|------------|------|-------|------|----------------|
| Parameter (Condition) | | Min. | Typ. | Max. | Unit |
| Over-sampling rate | | | 128 | | f _s |
| Resolution | | 16 | | 20 | Bits |
| Output Sample Rate | | 8 | | 48 | KHz |
| Signal to Noise Ratio <small>Note: 1</small> (SNR @cap-less mode) for 48kHz | | | 96 | | dB |
| Signal to Noise Ratio <small>Note: 1</small> (SNR @single-end mode) for 48kHz | | | 98 | | dB |
| Digital Gain | | -54 | | 4.85 | dB |
| Digital Gain Resolution | | | 2~6 | | dB |
| Analog Gain | | -28 | | 3 | dB |
| Analog Gain Resolution | | | 1 | | dB |
| Output Voltage Full-scale Swing (AVDD=2.8V) | | 495 | 742.5 | | mV rms |
| Maximum Output Power (16Ω load) | | | 34.5 | | mW |
| Maximum Output Power (32Ω load) | | | 17.2 | | mW |
| Allowed Load | Resistive | 8 | 16 | O.C. | Ω |
| | Capacitive | | | 500 | pF |
| THD+N (16Ω load) | | | | 0.05 | % |
| Signal to Noise Ratio (SNR @ 16Ω load) | | | | 96 | dB |

Note:

- (1) f_{in}=1KHz, BW=20~20KHz, A-weighted, THD+N < 0.01%, 0dBFS signal, Load=100KΩ
- (2) These parameters are characterized but not tested in manufacturing.

Stereo Audio SoC

Table 12-8: AUDIO CODEC ANALOGUE TO DIGITAL CONVERTER

| T= 25°C, V _{dd} =3.0V, 1KHz sine wave input, Bandwidth = 20Hz~20KHz | | | | |
|--|------|------|------|--------|
| Parameter (Condition) | Min. | Typ. | Max. | Unit |
| Resolution | | | 16 | Bits |
| Output Sample Rate | 8 | | 48 | KHz |
| Signal to Noise Ratio ^{Note: 1} (SNR @MIC or Line-in mode) | | 90 | | dB |
| Digital Gain | -54 | | 4.85 | dB |
| Digital Gain Resolution | | 2~6 | | dB |
| MIC Boost Gain | | 20 | | dB |
| Analog Gain | | | 60 | dB |
| Analog Gain Resolution | | 2.0 | | dB |
| Input full-scale at maximum gain (differential) | | 4 | | mV rms |
| Input full-scale at minimum gain (differential) | | 800 | | mV rms |
| 3dB bandwidth | | 20 | | KHz |
| Microphone mode (input impedance) | | 24 | | KΩ |
| THD+N (microphone input) @30mVrms input | | 0.02 | | % |

Note:

- (1) f_{in}=1KHz, BW=20~20KHz, A-weighted, THD+N < 1%, 150mV_{pp} input
- (2) These parameters are characterized but not tested in manufacturing.

Stereo Audio SoC

Table 12-9: DUAL-CHANNEL CLASS-D AMPLIFIER

| Parameter (Condition) | | Min. | Typ. | Max. | Unit |
|-------------------------------|------|------|------|------|------|
| Standalone SNR (A-weighting) | | | 100 | | dB |
| Gain | | | 12 | | dB |
| PSRR (217Hz, 200mV on PVDD) | | | 70 | | dB |
| Efficiency | 4ohm | 80 | | 85 | % |
| | 8ohm | 85 | | 90 | % |
| Supply Voltage | | 3.0 | 3.7 | 4.5 | V |
| Load | | | 4 | | ohm |
| Quiescent current (1 channel) | | | 2 | | mA |
| Sample frequency | | | 250 | | KHz |
| Over current limits | | | 2.3 | | A |
| Shutdown current | | | 1.0 | | uA |

Note:

- (1) Test condition: PVDD_CDA=4.2V, temperature=25 °C.
- (2) These parameters are characterized but not tested in manufacturing.

Table 12-10: SYSTEM CURRENT CONSUMPTION

| System Status | Typ. | Max. | Unit |
|--|------|------|------|
| System Off Mode | 2 | 5 | uA |
| Standby Mode | 0.8 | | mA |
| Linked Mode | 0.4 | | mA |
| SCO Link | 7.8 | | mA |
| A2DP Link (V _{pp} =200mV; 1k tone signal) | 10.7 | | mA |

Note: Use IS2020 EVB as test platform.

Test condition: BAT_IN= 3.8V, link with HTC EYE cell phone; distance between cell phone and EVB: 30cm.

Table 12-11: SYSTEM CURRENT CONSUMPTION OF DIGITAL AUDIO OUTPUT(I²S)

| System Status | Typ. | Max. | Unit |
|----------------------------|------|------|------|
| System Off Mode | 2 | 5 | uA |
| Standby Mode | 0.4 | | mA |
| Linked Mode | 0.4 | | mA |
| SCO Link | 9.3 | | mA |
| A2DP Link (1k tone signal) | 11.7 | | mA |

Note: Use IS2023 EVB as test platform

Test condition: BAT_IN= 3.8V, link with HTC M8 cell phone; distance between cell phone and EVB: 30cm;
I²S signal link with YAMAHA YDA174 EVB

Stereo Audio SoC

Table 12-12: TRANSMITTER SECTION FOR BDR AND EDR

| Parameter | Min | Typ | Max | Bluetooth specification | Unit |
|---------------------------|-----|------|-----|-------------------------|------|
| Maximum RF transmit power | | 3.0 | 4.0 | -6 to 4 | dBm |
| Relative transmit power | -4 | -1.2 | 1 | -4 to 1 | dB |

Note:

The RF Transmit power is calibrated during production using MP Tool software and MT8852 Bluetooth Test equipment.
Test condition: VCC_RF= 1.28V, temperature=25 °C.

Table 12-13: RECEIVER SECTION FOR BDR AND EDR

| | Modulation | Min | Typ | Max | Bluetooth specification | Unit |
|--------------------------|------------|-----|-----|-----|-------------------------|------|
| Sensitivity at 0.1% BER | GFSK | | -90 | | ≤-70 | dBm |
| Sensitivity at 0.01% BER | π/4 DQPSK | | -91 | | ≤-70 | dBm |
| | 8DPSK | | -82 | | ≤-70 | dBm |

Note:

- (1) Test condition: VCC_RF= 1.28V, temperature=25 °C.
- (2) These parameters are characterized but not tested in manufacturing.

13.0 REFERENCE CIRCUIT

FIGURE 13-1: IS2020S REFERENCE CIRCUIT

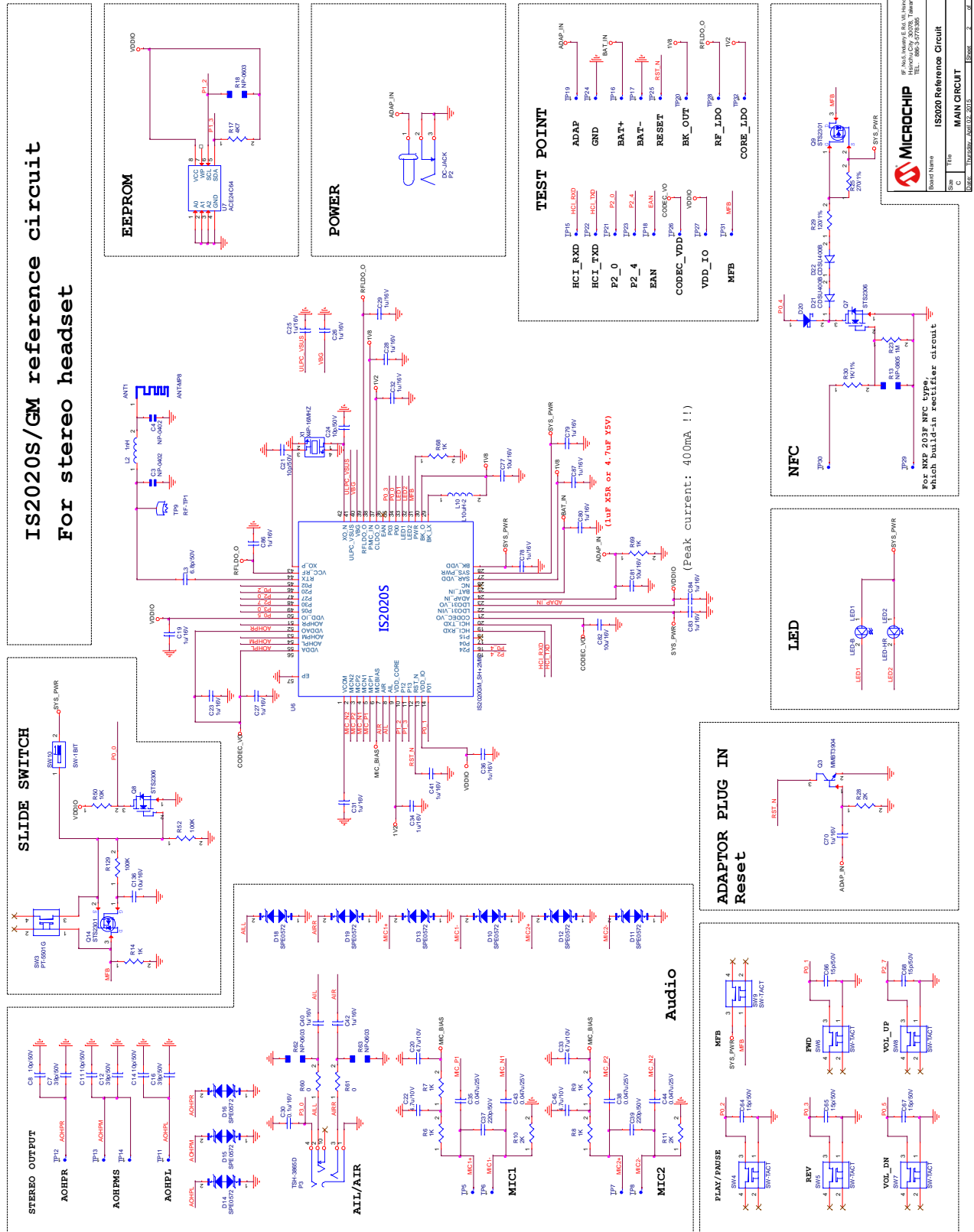


FIGURE 13-2: IS2021S REFERENCE CIRCUIT

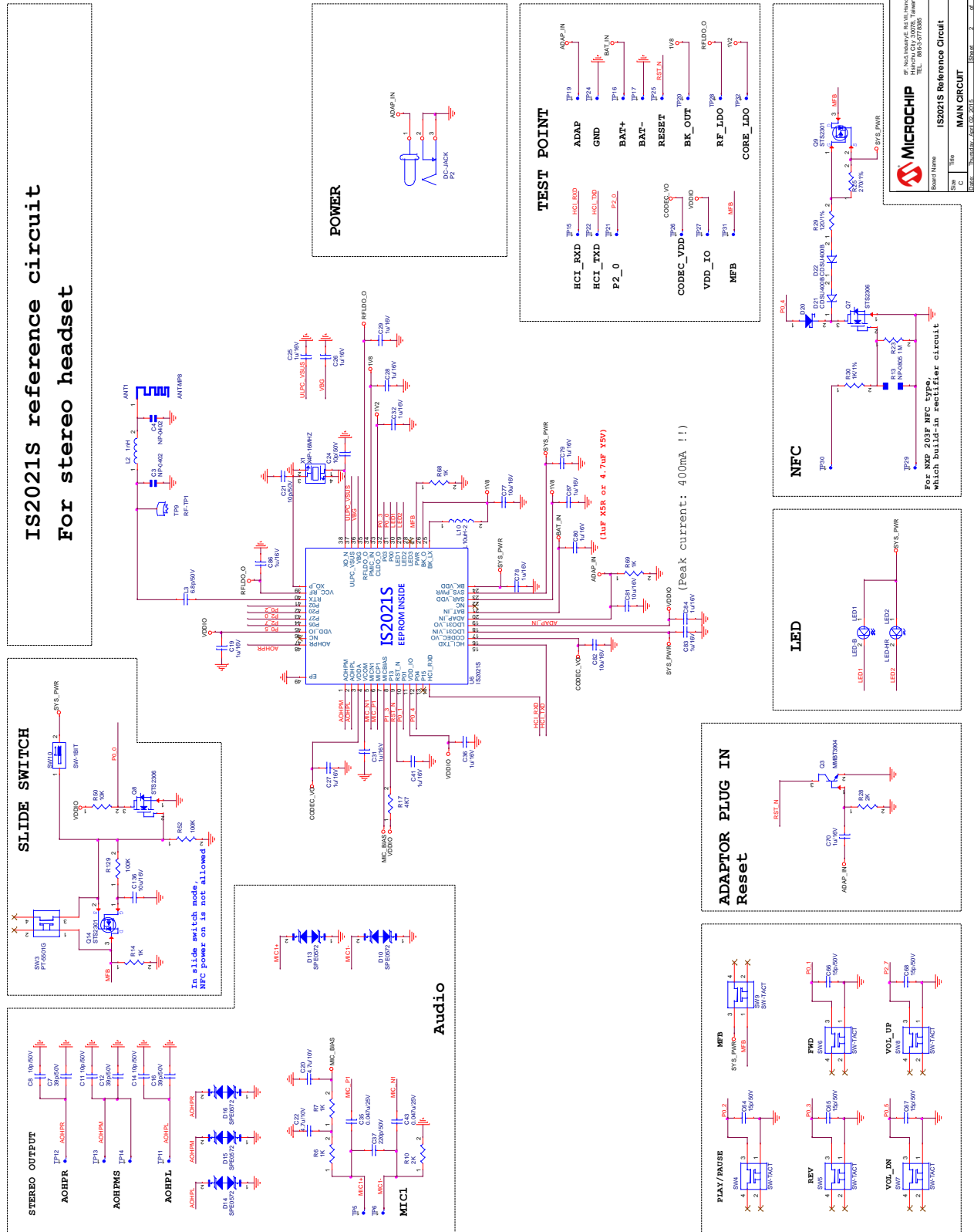
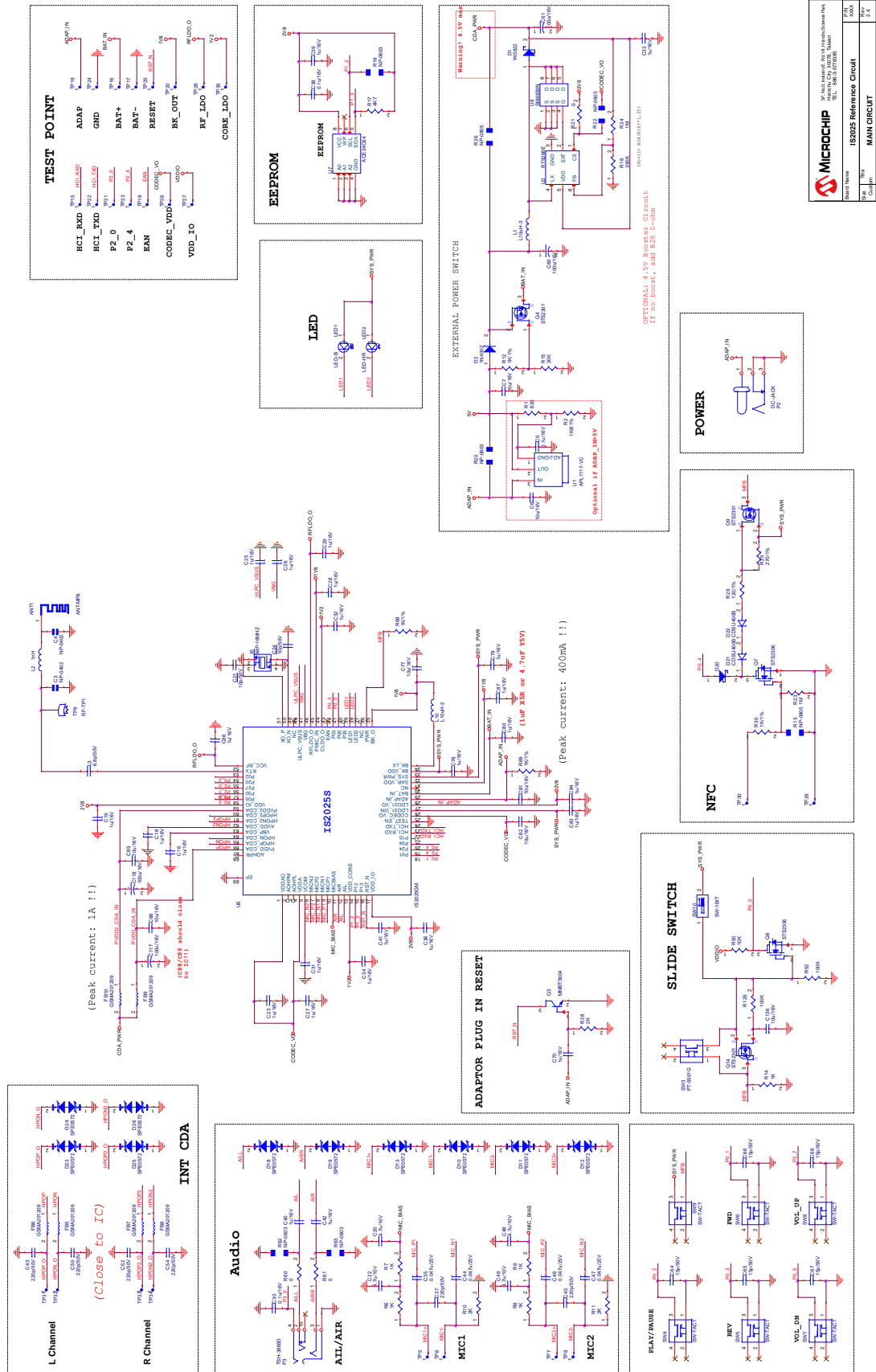


FIGURE 13-5: IS2025S REFERENCE CIRCUIT (FOR SPEAKER APPLICATION)



14.0 PACKAGE INFORMATION

14.1 CHIP IDENTIFICATION SYSTEM

PART NO. X -Y
(Chip Name) (Package Type) (Version)

Chip name: IS2020
 IS2021
 IS2023
 IS2025

Package Type: S = QFN (Saw Type) Package

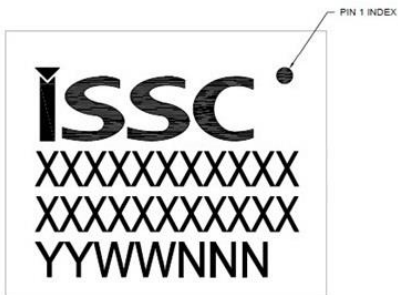
Version: e.g. "-203" is means the chip version is 203.

Examples:

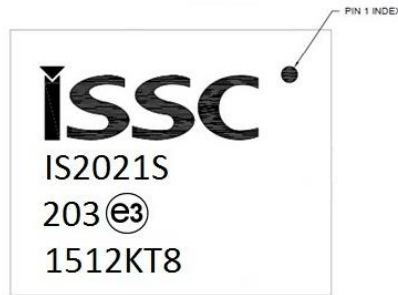
- a) IS2020S-002: 002 version ROM code IS2020 chip in QFN type package.
- b) IS2025S-203: 203 version ROM code IS2025 chip in QFN type package.

14.2 PACKAGE MARKING INFORMATION

48 Lead QFN (5x6.5x0.9 mm)



Example



56 Lead QFN (7x7x0.9 mm)



Example



68 Lead QFN (8x8x0.9 mm)



Example



Legend:

XXX: Chip serial number version and (e3) Pb-free JEDEC designator for Matte Tin (Sn)

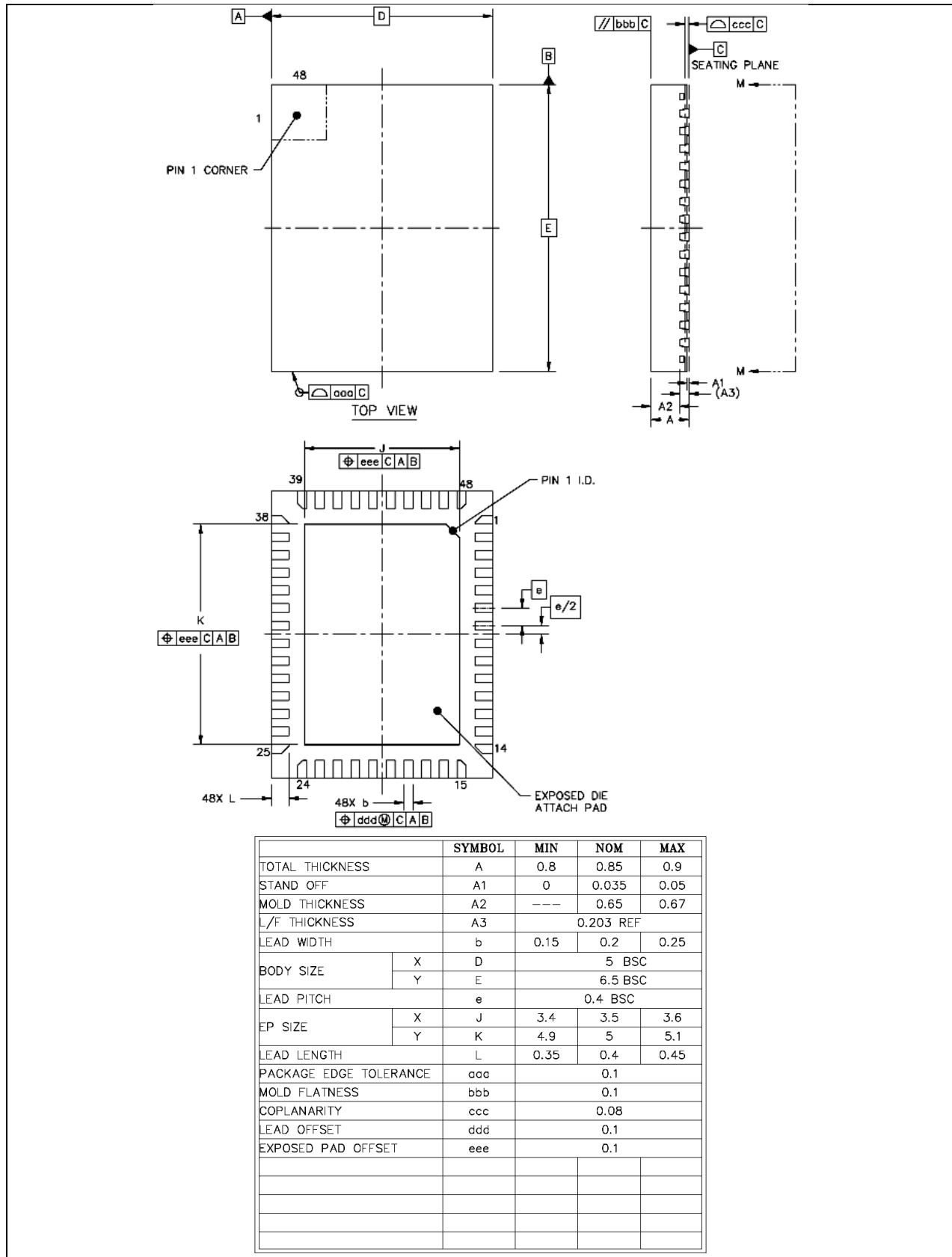
YY: Year code (last 2 digits of calendar year)

WW: Week code (week of January 1 is week "1")

NNN: Alphanumeric traceability code

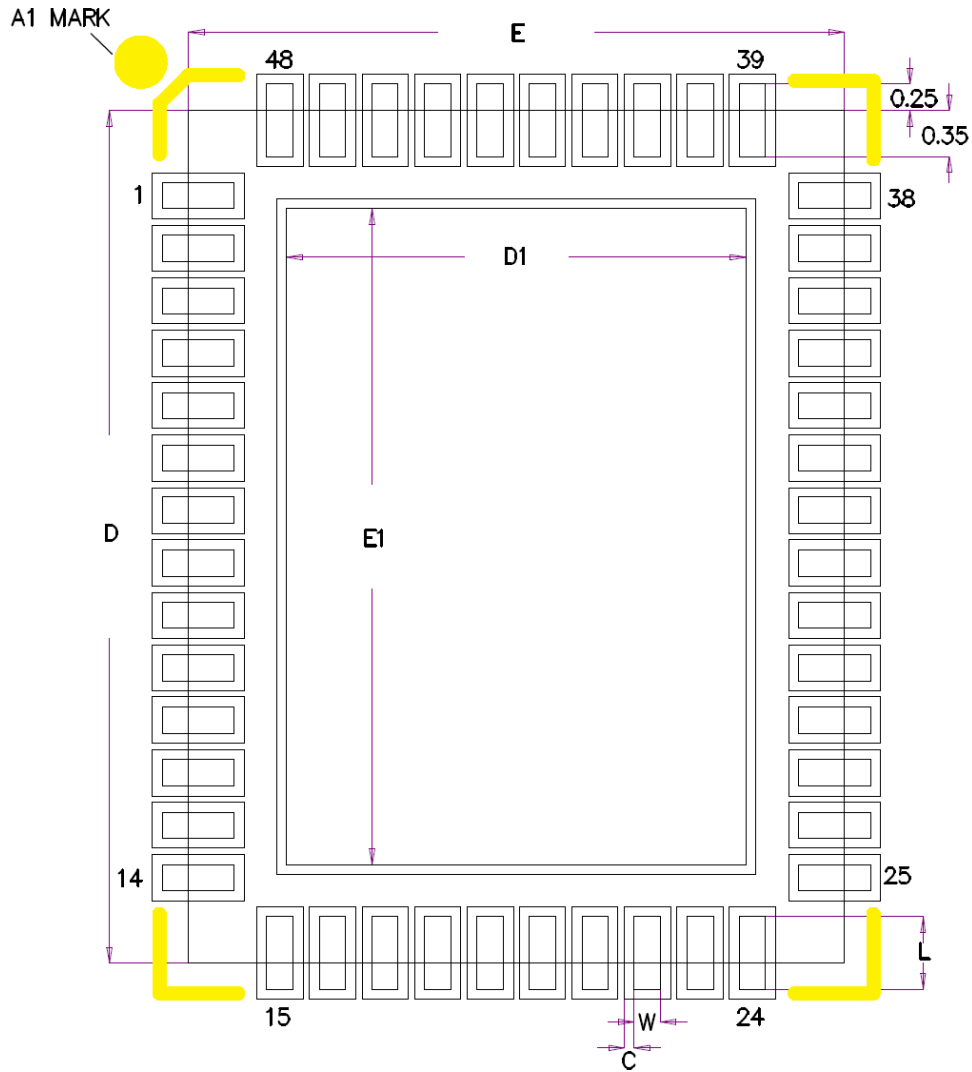
14.3 PACKAGE DETAIL

QFN48 5x6.5 Chip Outline (IS2021S)

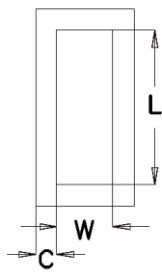


Stereo Audio SoC

QFN48 5x6.5 PCB Footprint (IS2021S)



TOP VIEW



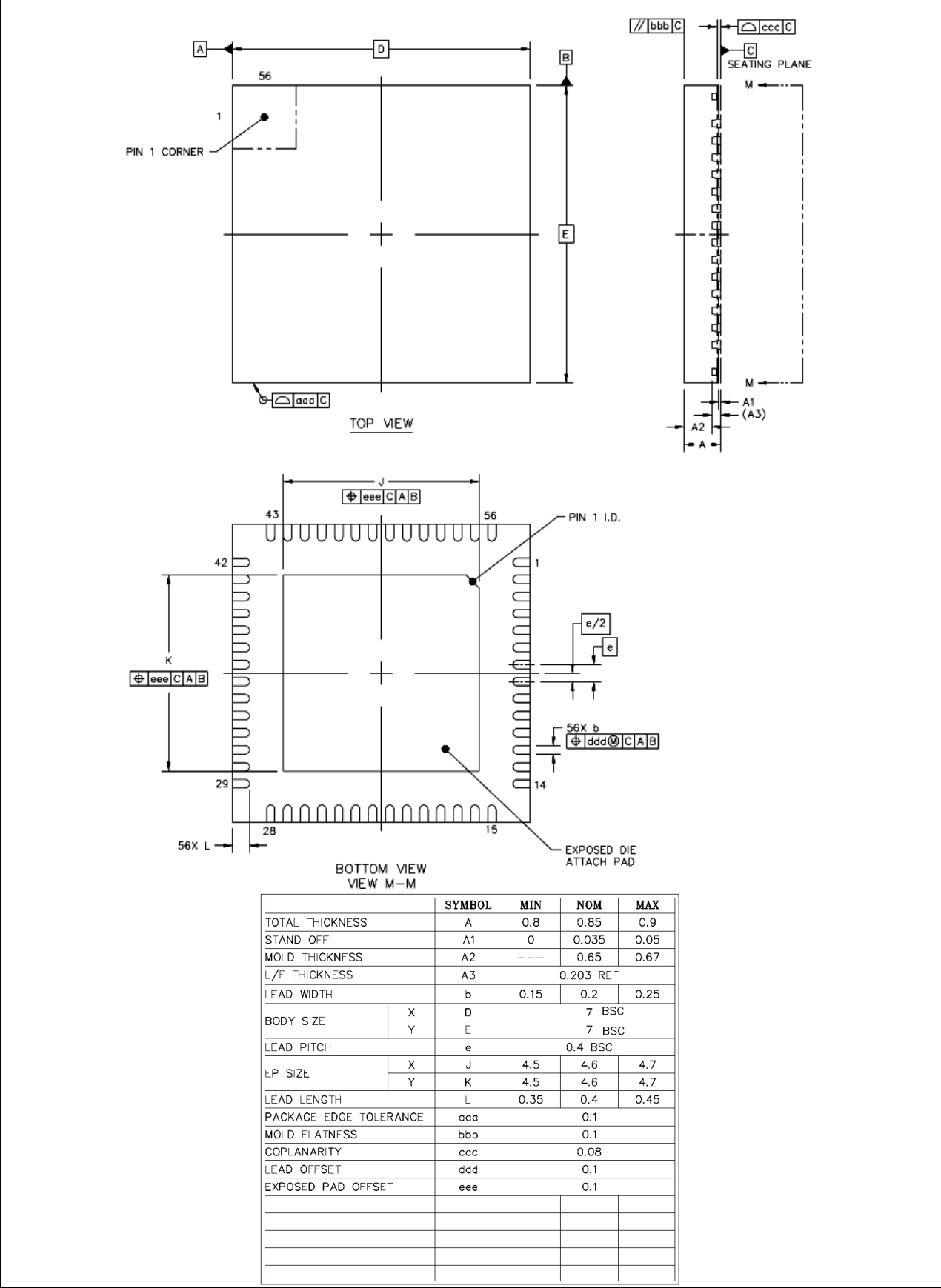
SOLDERMASK OPENING OUTSIDE OF LAND

| | SYMBOL | COMMON DIMENSIONS | | |
|--------------------|--------|-------------------|-------|------|
| | | MIN. | NOR. | MAX. |
| SILKSCREEN TOP L | A1 | | -- | REF |
| SILKSCREEN TOP W | A2 | | -- | REF |
| BODY SIZE | D | | 6.5 | BSC |
| | E | | 5 | BSC |
| EXPOSED PAD SIZE | D1 | | 3.5 | BSC |
| | E1 | | 5 | BSC |
| PEAD LENGTH | L | | 0.55 | |
| PEAD WIDTH | W | | 0.2 | |
| SOLDER MASKER OPEN | c | | 0.076 | |
| PEAD PICTH | e | | 0.4 | |
| PEAD COUNT | n1 | | 48 | |

UNIT : MM

Stereo Audio SoC

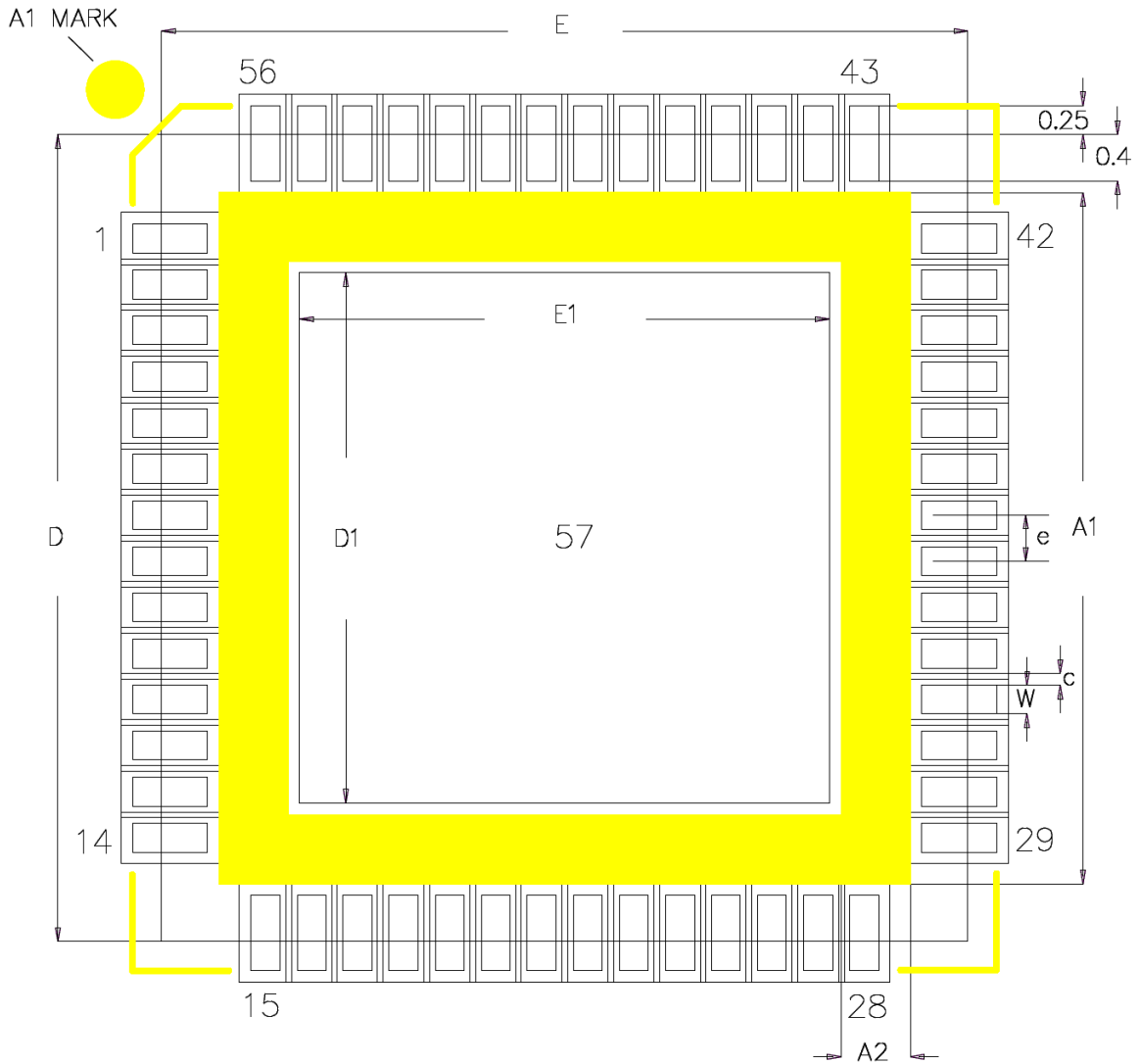
QFN56 7x7 Chip Outline (IS2020S / IS2023S)



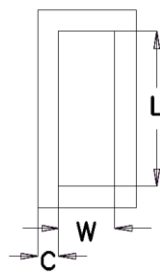
| | | SYMBOL | MIN | NOM | MAX |
|------------------------|---|--------|-----------|-------|------|
| TOTAL THICKNESS | | A | 0.8 | 0.85 | 0.9 |
| STAND OFF | | A1 | 0 | 0.035 | 0.05 |
| MOLD THICKNESS | | A2 | --- | 0.65 | 0.67 |
| L/F THICKNESS | | A3 | 0.203 REF | | |
| LEAD WIDTH | | b | 0.15 | 0.2 | 0.25 |
| BODY SIZE | X | D | 7 BSC | | |
| | Y | E | 7 BSC | | |
| LEAD PITCH | | e | 0.4 BSC | | |
| EP SIZE | X | J | 4.5 | 4.6 | 4.7 |
| | Y | K | 4.5 | 4.6 | 4.7 |
| LEAD LENGTH | | L | 0.35 | 0.4 | 0.45 |
| PACKAGE EDGE TOLERANCE | | ccc | 0.1 | | |
| MOLD FLATNESS | | bbb | 0.1 | | |
| COPLANARITY | | ccc | 0.08 | | |
| LEAD OFFSET | | ddd | 0.1 | | |
| EXPOSED PAD OFFSET | | eee | 0.1 | | |
| | | | | | |
| | | | | | |
| | | | | | |
| | | | | | |

Stereo Audio SoC

QFN56 7x7 PCB Footprint (IS2020S / IS2023S)



TOP VIEW



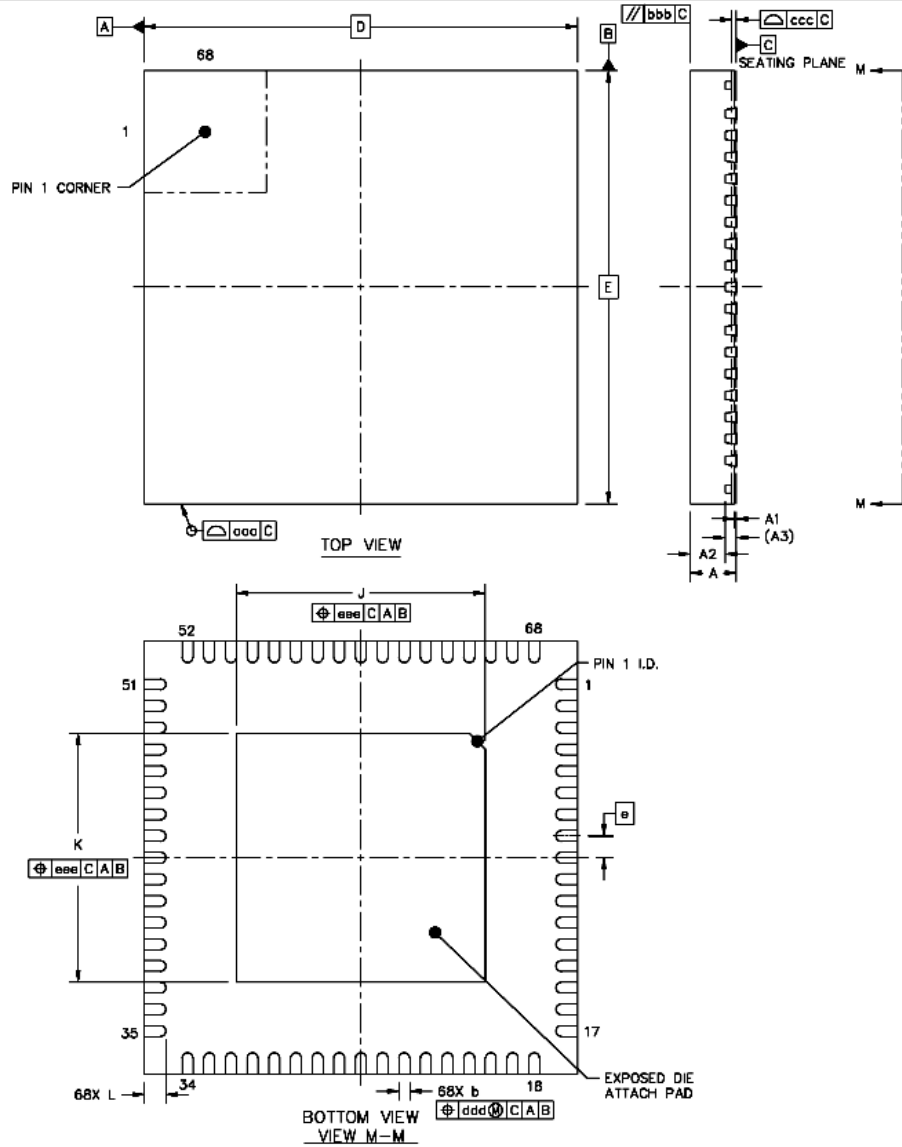
SOLDERMASK OPENING OUTSIDE OF LAND

| | SYMBOL | COMMON DIMENSIONS | | |
|--------------------|--------|-------------------|------|------|
| | | MIN. | NOR. | MAX. |
| SILKSCREEN TOP L | A1 | | 6 | REF |
| SILKSCREEN TOP W | A2 | | 0.6 | REF |
| BODY SIZE | D | | 7 | BSC |
| | E | | 7 | BSC |
| EXPOSED PAD SIZE | D1 | | 4.6 | BSC |
| | E1 | | 4.6 | BSC |
| LEAD LENGTH | L | | 0.65 | |
| LEAD WIDTH | W | | 0.25 | |
| SOLDER MASKER OPEN | c | | 0.1 | |
| LEAD PITCH | e | | 0.4 | |
| LEAD COUNT | n1 | | 56 | |

UNIT : MM

Stereo Audio SoC

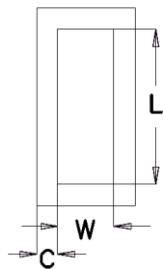
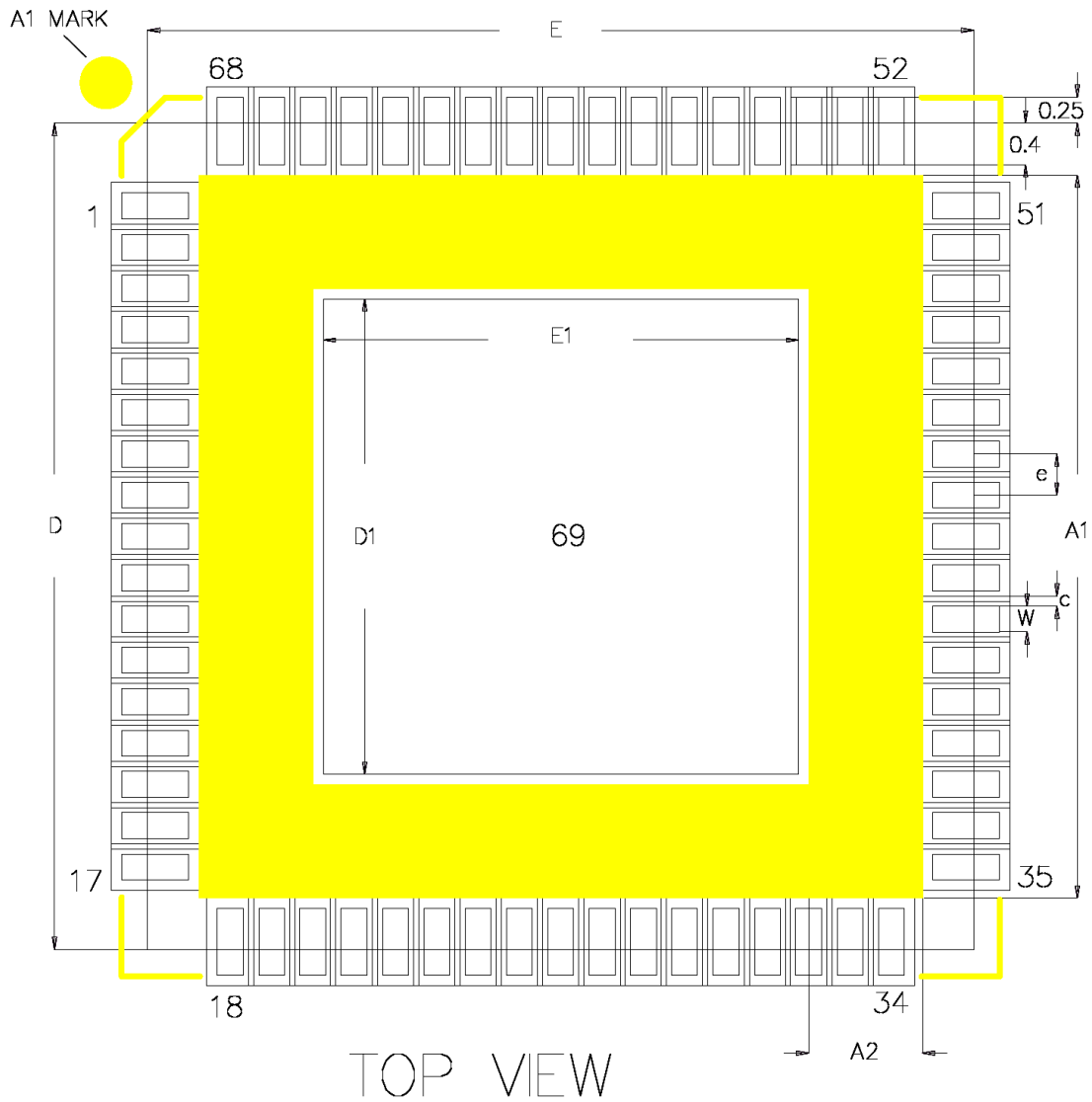
QFN68 8x8 Chip Outline (IS2025S)



| | | SYMBOL | MIN | NOM | MAX |
|------------------------|---|--------|-----------|-------|------|
| TOTAL THICKNESS | | A | 0.8 | 0.85 | 0.9 |
| STAND OFF | | A1 | 0 | 0.035 | 0.05 |
| MOLD THICKNESS | | A2 | --- | 0.65 | 0.67 |
| L/F THICKNESS | | A3 | 0.203 REF | | |
| LEAD WIDTH | | b | 0.15 | 0.2 | 0.25 |
| BODY SIZE | X | D | 8 BSC | | |
| | Y | E | 8 BSC | | |
| LEAD PITCH | | e | 0.4 BSC | | |
| EP SIZE | X | J | 4.5 | 4.6 | 4.7 |
| | Y | K | 4.5 | 4.6 | 4.7 |
| LEAD LENGTH | | L | 0.35 | 0.4 | 0.45 |
| PACKAGE EDGE TOLERANCE | | aaa | 0.1 | | |
| MOLD FLATNESS | | bbb | 0.1 | | |
| COPLANARITY | | ccc | 0.08 | | |
| LEAD OFFSET | | ddd | 0.1 | | |
| EXPOSED PAD OFFSET | | eee | 0.1 | | |
| | | | | | |
| | | | | | |
| | | | | | |
| | | | | | |

Stereo Audio SoC

QFN68 8x8 PCB Footprint (IS2025S)



SOLDERMASK OPENING OUTSIDE OF LAND

| | SYMBOL | COMMON DIMENSIONS | | |
|--------------------|--------|-------------------|------|------|
| | | MIN. | NOR. | MAX. |
| SILKSCREEN TOP L | A1 | | 7 | REF |
| SILKSCREEN TOP W | A2 | | 1.1 | REF |
| BODY SIZE | D | | 8 | BSC |
| | E | | 8 | BSC |
| EXPOSED PAD SIZE | D1 | | 4.6 | BSC |
| | E1 | | 4.6 | BSC |
| LEAD LENGTH | L | | 0.65 | |
| LEAD WIDTH | W | | 0.25 | |
| SOLDER MASKER OPEN | c | | 0.1 | |
| LEAD PITCH | e | | 0.4 | |
| LEAD COUNT | n1 | | 68 | |

UNIT : MM

15.0 REFLOW PROFILE AND STORAGE CONDITION

15.1 STENCIL OF SMT ASSEMBLY SUGGESTION

15.1.1 STENCIL TYPE & THICKNESS

- Laser cutting
- Stainless steel
- Thickened
- 0.5 mm Pitch: thickness < 0.15 mm

15.1.2 APERTURE SIZE AND SHAPE FOR TERMINAL PAD

Aspect ratio (width/thickness) > 1.5

Aperture shape

- The stencil aperture is typically designed to match the pad size on the PCB.
- Oval-shaped opening should be used to get the optimum paste release.
- Rounded corners to minimize clogging.
- Positive taper walls (5° tapering) with bottom opening larger than the top.

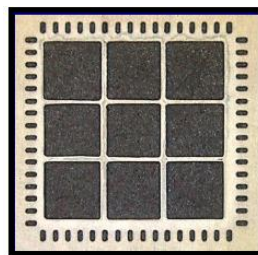
15.1.3 APERTURE DESIGN FOR THERMAL PAD

The small multiple openings should be used in steady of one big opening.

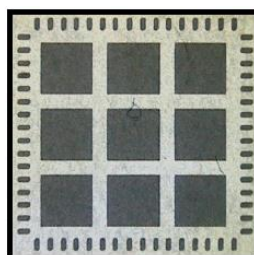
60~80% solder paste coverage

Rounded corners to minimize clogging

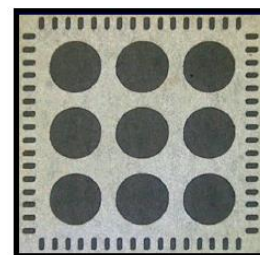
Positive taper walls (5° tapering) with bottom opening larger than the top



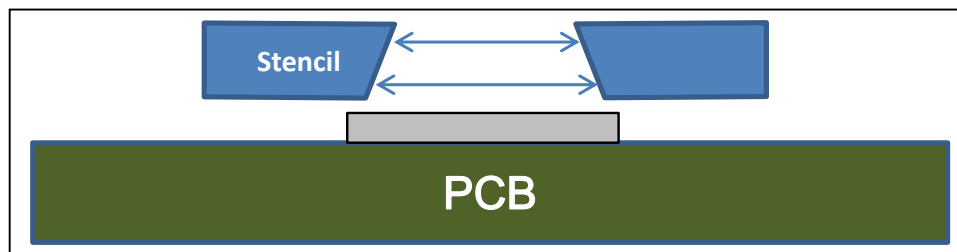
Don't recommend
Coverage 91%



Recommend
Coverage 77%



Recommend
Coverage 65%



15.2 REFLOW CONDITION

1.) Follow : IPC/JEDEC J-STD-020

2.) Condition :

Average ramp-up rate (217°C to peak): 1~2°C/sec max.

Preheat : 150~200°C · 60~180 seconds

Temperature maintained above 217°C : 60~150 seconds

Time within 5°C of actual peak temperature: 20 ~ 40 sec.

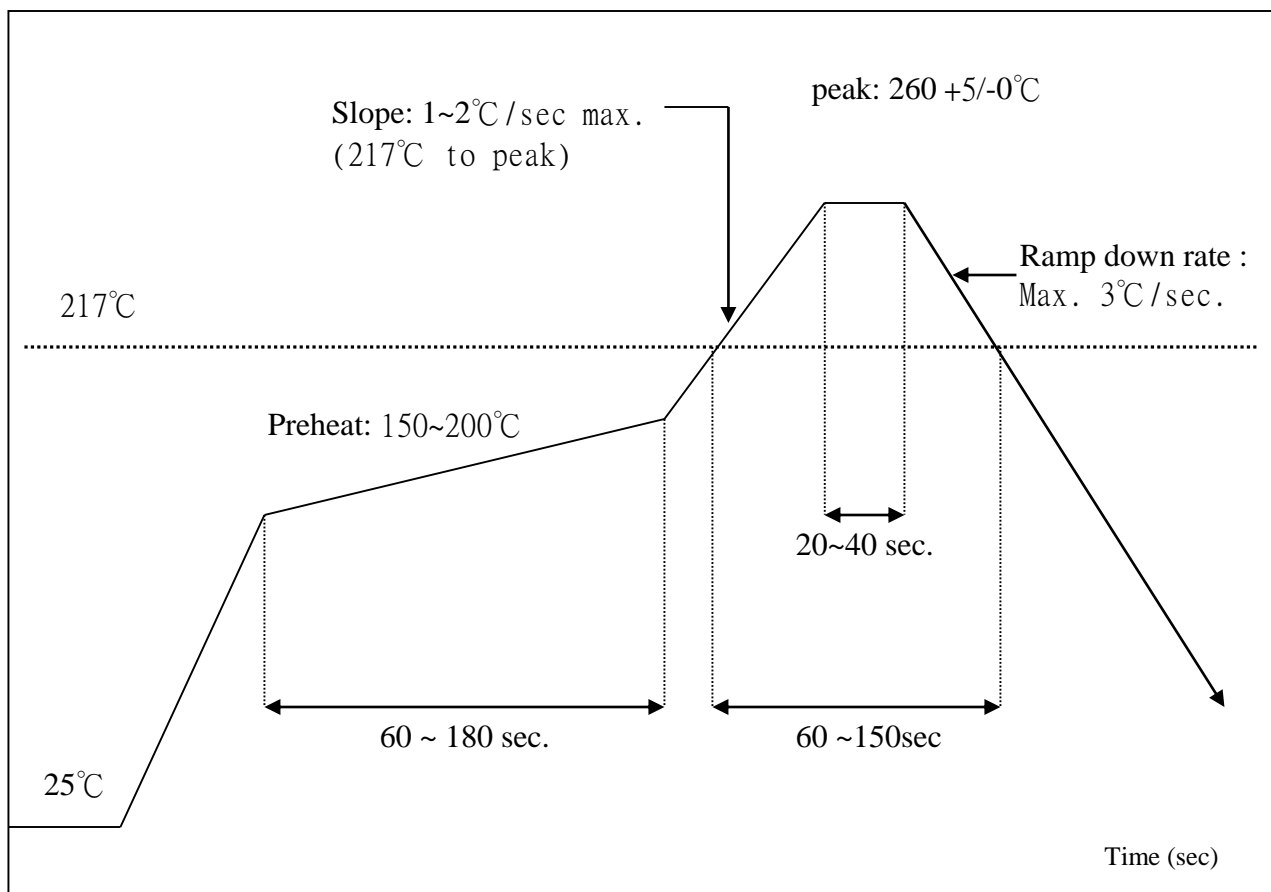
Peak temperature : 260 +5/-0 °C

Ramp-down rate : 3°C/sec. max.

Time 25°C to peak temperature : 8 minutes max.

Cycle interval : 5 minus

FIGURE 15-1: REFLOW PROFILE




15.3 STORAGE CONDITION

1. Calculated shelf life in sealed bag: 24 months at $< 40^{\circ}\text{C}$ and $<90\%$ relative humidity (RH)
2. After bag is opened, devices that will be subjected to reflow solder or other high temperature process must be Mounted within 168 hours of factory conditions $<30^{\circ}\text{C}/60\%$ RH

FIGURE 15-2: LABEL OF CHIP BAG

(Please notice the baking requirement)

| | | |
|---|---|--|
|  | <p style="text-align: center;">Caution This bag contains MOISTURE-SENSITIVE DEVICES</p> | <p style="text-align: center;">LEVEL 3</p> <p style="text-align: center;">If blank, see adjacent bar code label</p> |
| <ol style="list-style-type: none">1. Calculated shelf life in sealed bag : 24 months at $< 40^{\circ}\text{C}$ and $<90\%$ relative humidity (RH)2. Peak package body temperature: _____$^{\circ}\text{C}$ If blank, see adjacent bar code label3. After bag is opened, devices that will be subjected to reflow solder or other high temperature process must be<ol style="list-style-type: none">a) Mounted within: 168 hours of factory conditions If blank, see adjacent bar code label $\leq 30^{\circ}\text{C}/60\%$ RH, orb) Stored per J-STD-0334. Devices require bake, before mounting, if:<ol style="list-style-type: none">a) Humidity Indicator Card reads $> 10\%$ for level 2a - 5a devices or $> 60\%$ for level 2 devices when read at $23 \pm 5^{\circ}\text{C}$b) 3a or 3b are not met.5. If baking is required, refer to IPC/JEDEC J-STD-033 for bake procedure. | | |
| Bag Seal Date: _____ If blank, see adjacent bar code label | | |
| Note: Level and body temperature defined by IPC/JEDEC J-STD-020 | | |

