

IS31107325

MULTI-FUNCTION I/O DRIVER

August 2012

GENERAL DESCRIPTION

The IS31107325 2-wire serial-interfaced peripheral features 16 I/O ports. Ports are divided into eight push pull I/Os and eight open-drain I/Os and transition detection.

Any of the 16 I/O ports can be configured as an input or an output. All I/O ports configured as inputs are continuously monitored for state changes (transition detection). State changes are indicated by the $\overline{\text{INT}}$ output. The interrupt is latched, allowing detection of transient changes. When the IS31107325 is subsequently read through the serial interface, any pending interrupt is cleared.

The open-drain outputs are rated to sink 20mA at 0.22V headroom, and are capable of driving LEDs.

The $\overline{\text{RST}}$ input clears the serial interface, terminating any I²C communication to or from the IS31107325. The IS31107325 uses two address inputs to allow 4 I²C slave addresses. The slave address also determines the power-up logic state for the I/O ports.

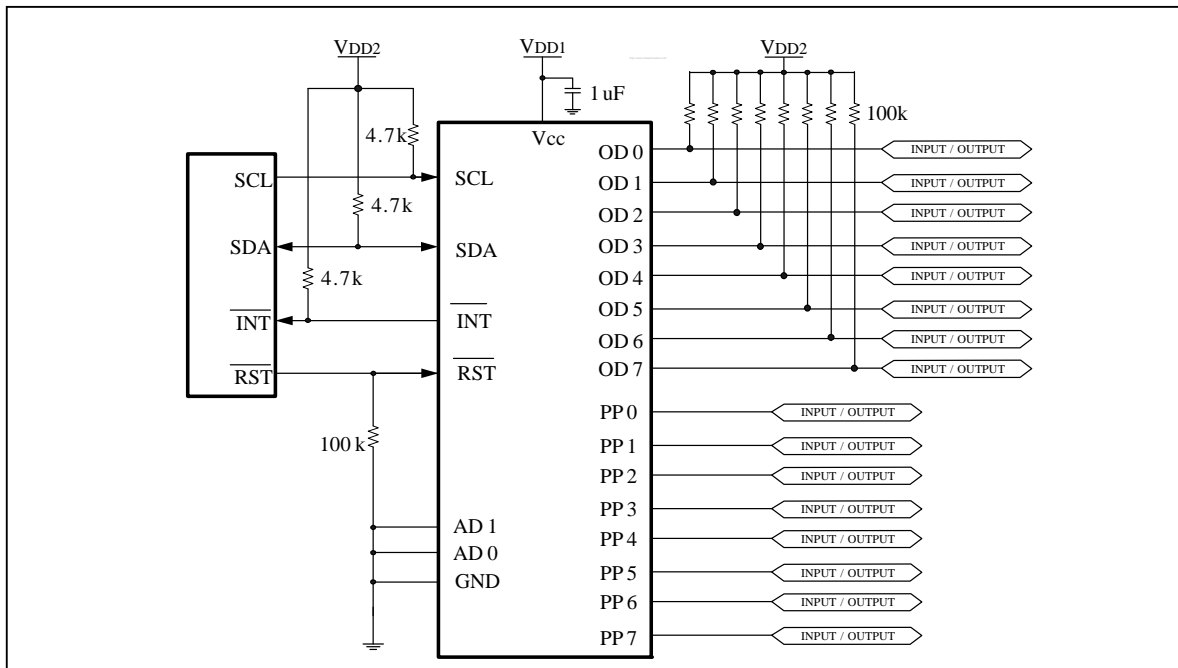
FEATURES

- 400kHz I²C serial interface
- 2.4V to 5.5V operation
- 8 push-pull I/O ports
- 8 open-drain I/O ports, rated to 20mA sink current at 0.22V headroom
- Selectable I/O port power-up default logic states
- $\overline{\text{INT}}$ output alerts change on inputs
- Low 0.3 μ A (Typ.) standby current
- -40°C ~ +125°C temperature range

APPLICATIONS

- Cell phones
- Notebooks
- SAN/NAS
- Satellite radio
- Servers
- Automotive

TYPICAL APPLICATION CIRCUIT



Note:

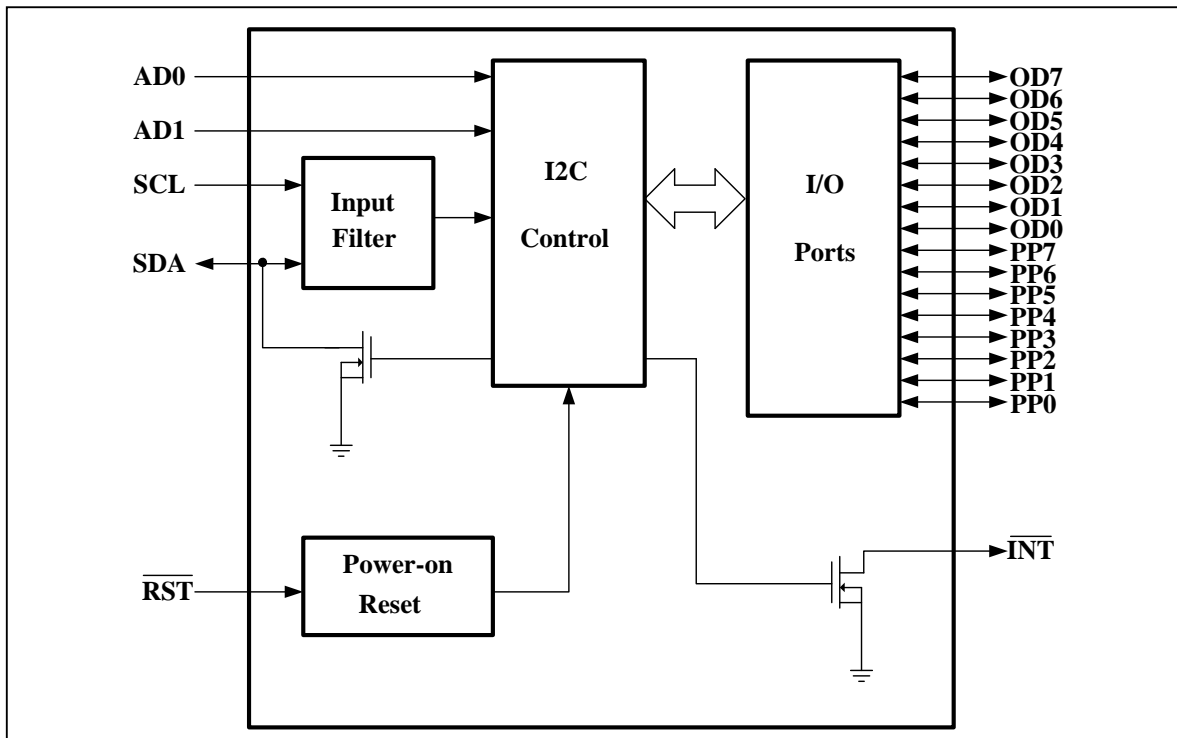
V_{DD1}: 2.4V~5.5V, 2.8V is recommended.

V_{DD2}: 1.4V~5.5V, V_{DD2} ≤ V_{DD1}, 2.8V is recommended.

V_{DD2} should be turned off when system power off because OD ports are open default!

V_{DD2} = V_{bat} is forbidden.

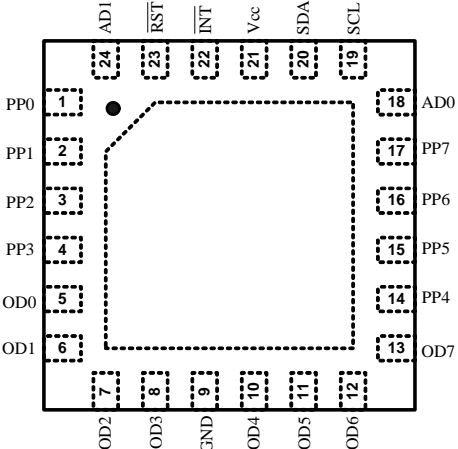
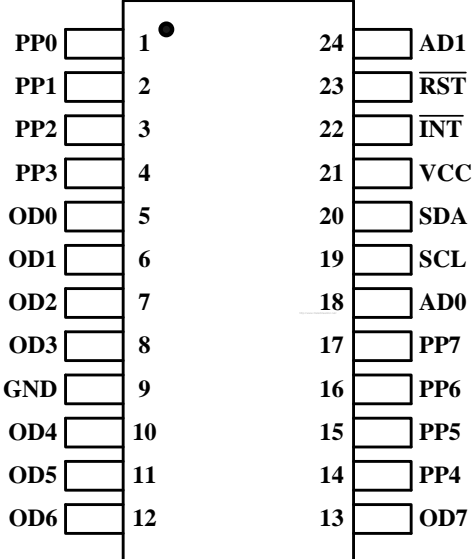
FUNCTIONAL BLOCK DIAGRAM



Copyright © 2012 Integrated Silicon Solution, Inc. All rights reserved. ISSI reserves the right to make changes to this specification and its products at any time without notice. ISSI assumes no liability arising out of the application or use of any information, products or services described herein. Customers are advised to obtain the latest version of this device specification before relying on any published information and before placing orders for products. Integrated Silicon Solution, Inc. does not recommend the use of any of its products in life support applications where the failure or malfunction of the product can reasonably be expected to cause failure of the life support system or to significantly affect its safety or effectiveness. Products are not authorized for use in such applications unless Integrated Silicon Solution, Inc. receives written assurance to its satisfaction, that:

- a.) the risk of injury or damage has been minimized;
- b.) the user assume all such risks; and
- c.) potential liability of Integrated Silicon Solution, Inc is adequately protected under the circumstances

PIN CONFIGURATION

Package	Pin Configuration (Top View)
QFN-24	
SOP-24	

IS31IO7325

PIN DESCRIPTION

No.	Pin	Description
1~4, 14~17	PP0~PP7	CMOS push-pull I/O ports.
5~8, 10~13	OD0~OD7	Open-drain I/O ports.
9	GND	Ground.
18,24	AD0, AD1	Address inputs. Select device slave address with AD0 and AD1.
19	SCL	I ² C-compatible serial-clock input.
20	SDA	I ² C-compatible serial-data I/O.
21	V _{CC}	Positive supply voltage. Bypass V _{CC} to GND with a ceramic capacitor of at least 0.1μF.
22	$\overline{\text{INT}}$	Interrupt output, active low. $\overline{\text{INT}}$ is an open-drain output.
23	$\overline{\text{RST}}$	Reset input, active low. Drive $\overline{\text{RST}}$ low to clear the 2-wire interface.
	Thermal Pad	Connect to GND.



IS31IO7325

ORDERING INFORMATION

Industrial Range: -40°C to +125°C

Order Part No.	Package	QTY
IS31IO7325-QFLS4-TR	QFN-24, Lead-free	2500/Reel
IS31IO7325-GRLS4	SOP-24, Lead-free	30/Tube



IS31107325

ABSOLUTE MAXIMUM RATINGS

Supply voltage, V_{DD}	-0.3V ~ +6.0V
SCL, SDA, AD, \overline{RST} , \overline{INT} , OD0-OD7	-0.3V ~ +6.0V
PP0-PP7	-0.3V ~ $V_{CC}+0.3V$
PP source output current	$\pm 100mA$
PP/OD sink current	120mA
SDA sink current	10mA
\overline{INT} sink current	10mA
Maximum junction temperature, T_{JMAX}	150°C
Storage temperature range, T_{STG}	-65°C ~ +150°C
Operating temperature range, T_A	-40°C ~ +125°C

Note:

Stresses beyond those listed under "Absolute Maximum Ratings" may cause permanent damage to the device. These are stress ratings only and functional operation of the device at these or any other condition beyond those indicated in the operational sections of the specifications is not implied. Exposure to absolute maximum rating conditions for extended periods may affect device reliability.

ELECTRICAL CHARACTERISTICS

$V_{CC} = 2.4V \sim 5.5V$, $T_A = 25^\circ C$, unless otherwise noted. Typical values are $V_{CC} = 3.3V$, $T_A = 25^\circ C$. (Note 1)

Symbol	Parameter	Condition	Min.	Typ.	Max.	Unit
V_{CC}	Supply voltage		2.4		5.5	V
V_{POR}	Power-on-reset voltage	V_{CC} falling, Temp = -40°C			2.35	V
		V_{CC} falling, Temp = -20°C			2.3	
I_{STB}	Standby current (Interface idle)	SCL and SDA and other digital inputs at V_{CC}		0.3	1.9	μA
I_+	Supply current (Interface running)	$f_{SCL} = 400kHz$, other digital inputs at V_{CC}		8	20	μA
V_{IH}	Input high-voltage	SDA, SCL, AD0, AD1, \overline{RST} , OD0~OD7, PP0~PP7	1.4			V
V_{IL}	Input low-voltage	SDA, SCL, AD0, AD1, \overline{RST} , OD0~OD7, PP0~PP7			0.4	V
I_{IH}, I_{IL}	Input leakage current	SDA, SCL, AD0, AD1, \overline{RST} , OD0~OD7, PP0~PP7 at V_{CC} or GND	-0.2		+0.2	μA
C_{IN}	Input capacitance	SDA, SCL, AD0, AD1, \overline{RST} , OD0~OD7, PP0~PP7 (Note3)		10		pF
V_{OL}	Output low voltage PP0~PP7, OD0~OD7	$V_{CC} = 2.5V$, $I_{SINK} = 10mA$			200	mV
		$V_{CC} = 3.3V$, $I_{SINK} = 15mA$			240	
		$V_{CC} = 5.0V$, $I_{SINK} = 20mA$			250	
V_{OH}	Output high voltage PP0~PP7	$V_{CC} = 2.5V$, $I_{SOURCE} = 5mA$	$V_{CC} - 316$			mV
		$V_{CC} = 3.3V$, $I_{SOURCE} = 5mA$	$V_{CC} - 213$			
		$V_{CC} = 5.0V$, $I_{SOURCE} = 10mA$	$V_{CC} - 289$			
V_{OLSDA}	Output low-voltage SDA	$I_{SINK} = 6mA$			180	mV
V_{OLINT}	Output low-voltage \overline{INT}	$I_{SINK} = 5mA$			180	mV



IS31107325

TIMING CHARACTERISTICS

V_{CC} = 2.4V ~ 5.5V, T_A = -40°C ~ +125°C, unless otherwise noted. Typical values are V_{CC} = 3.3V, T_A = 25°C. (Note3)

Symbol	Parameter	Condition	Min.	Typ.	Max.	Unit
f _{SCL}	Serial-clock frequency				400	kHz
t _{BUF}	Bus free time between a STOP and a START condition		1.3			μs
t _{HD, STA}	Hold time (repeated) START condition		0.6			μs
t _{SU, STA}	Repeated START condition setup time		0.6			μs
t _{SU, STO}	STOP condition setup time		0.6			μs
t _{HD, DAT}	Data hold time	(Note2)			0.9	μs
t _{SU, DAT}	Data setup time		100			ns
t _{LOW}	SCL clock low period		1.3			μs
t _{HIGH}	SCL clock high period		0.7			μs
t _R	Rise time of both SDA and SCL signals, receiving	(Note4)		20 + 0.1Cb	300	ns
t _F	Fall time of both SDA and SCL signals, receiving	(Note4)		20 + 0.1Cb	300	ns
t _{F, TX}	Fall time of SDA transmitting	(Note4)		20 + 0.1Cb	250	ns
t _{SP}	Pulse width of spike suppressed	(Note5)		50		ns
C _b	Capacitive load for each bus line				400	pF
t _w	RST pulse width		500			ns
t _{RST}	RST rising to START condition setup time	—	1			μs

Port and Interrupt INT Timing Characteristic

V_{CC} = 2.4V ~ 5.5V, T_A = -40°C ~ +125°C, unless otherwise noted. Typical values are V_{CC} = 3.3V, T_A = 25°C. (Note3)

Parameter	Symbol	Condition	Min.	Typ.	Max.	Unit
Port output data valid	t _{PV}	C _L ≤ 100pF			4	μs
Port input setup time	t _{PSU}	C _L ≤ 100pF	0			μs
Port input hold time	t _{PH}	C _L ≤ 100pF	4			μs
INT input data valid time	t _{IV}	C _L ≤ 100pF			4	μs
INT reset delay time from acknowledge	t _{IR}	C _L ≤ 100pF			4	μs

Note 1: All parameters are tested at TA = 25°C. Specifications over temperature are guaranteed by design.

Note 2: A master device must provide a hold time of at least 300ns for the SDA signal (referred to VIL of the SCL signal) in order to bridge the undefined region of SCL's falling edge.

Note 3: Guaranteed by design.

Note 4: C_b = total capacitance of one bus line in pF. ISINK ≤ 6mA. t_R and t_F measured between 0.3 × V_{CC} and 0.7 × V_{CC}.

Note 5: Input filters on the SDA and SCL inputs suppress noise spikes less than 50ns.



IS31107325

Table1 Power Up Default State for I/O Ports

Pin Connection		Port Power Up Default															
AD1	AD0	PP7	PP6	PP5	PP4	PP3	PP2	PP1	PP0	OD7	OD6	OD5	OD4	OD3	OD2	OD1	OD0
GND	GND	0	0	0	0	0	0	0	0	0	0	0	0	0	0	0	0
GND	V _{CC}	0	0	0	0	1	1	1	1	0	0	0	0	Hi-Z	Hi-Z	Hi-Z	Hi-Z
V _{CC}	GND	1	1	1	1	0	0	0	0	Hi-Z	Hi-Z	Hi-Z	Hi-Z	0	0	0	0
V _{CC}	V _{CC}	1	1	1	1	1	1	1	1	Hi-Z	Hi-Z	Hi-Z	Hi-Z	Hi-Z	Hi-Z	Hi-Z	Hi-Z

Table2 Command Byte Register

Command Byte Address(Hex)	Function	Power Up Default	Protocol
00	Input port A (OD0~OD7)	XXXX XXXX	R
01	Input port B (PP0~PP7)	XXXX XXXX	R
02	Output port A	Refer to Table1	R/W
03	Output port B	Refer to Table1	R/W
04	Port A configuration	0000 0000	R/W
05	Port B configuration	0000 0000	R/W
06	Port A interrupt control	0000 0000	R/W
07	Port B interrupt control	0000 0000	R/W

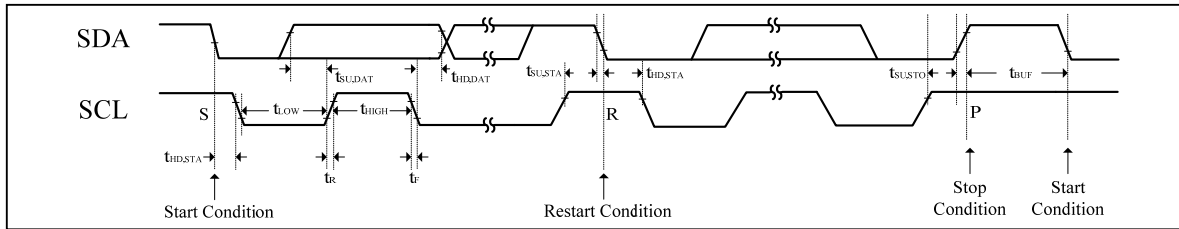


Figure 1 2-Wire Serial Interface Timing Details

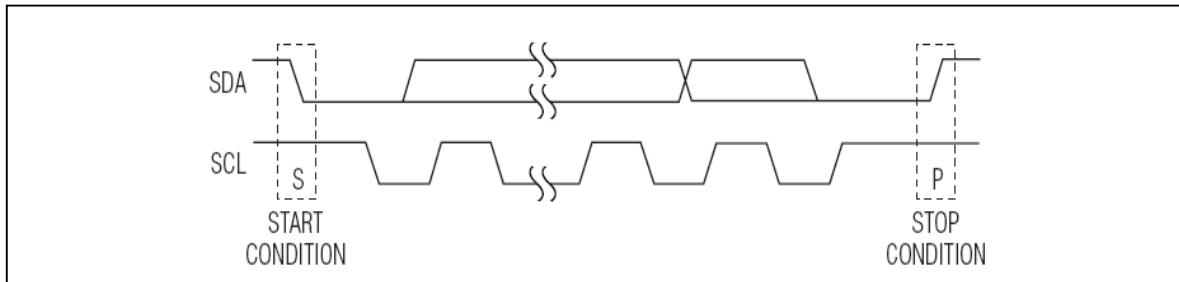


Figure 2 START and STOP Conditions

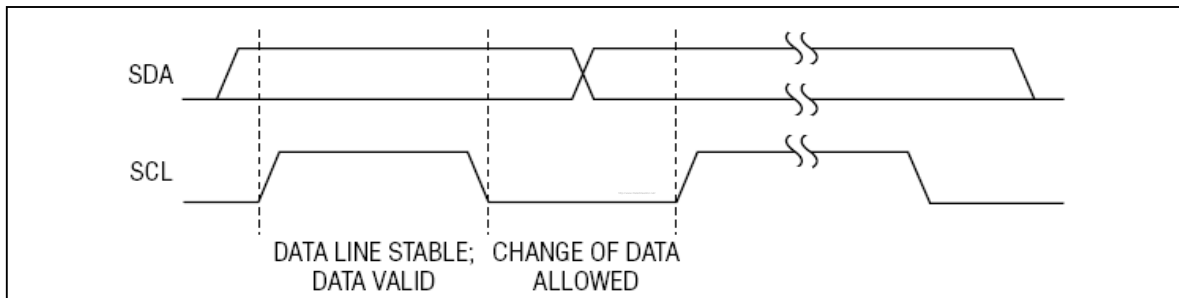


Figure 3 Bit Transfer

IS311O7325

DETAILED DESCRIPTION

FUNCTIONAL OVERVIEW

The IS311O7325 is a Multi-function I/O driver operating from a +2.4V to 5.5V supply with eight push-pull and eight open-drain I/O ports. Each open-drain and push-pull port is rated to sink 20mA at 0.22V headroom, and the entire device is rated to sink 320mA at 0.22V headroom into all ports combined. The outputs drive loads connected to supplies up to +5.5V.

The IS311O7325 is set to four I²C slave addresses using the address select inputs AD0 and AD1, and is accessed over an I²C serial interface up to 400 kHz.

The \overline{RST} input clears the serial interface in case of a bus lockup, terminating any serial transaction to or from the IS311O7325.

The IS311O7325 consists of input, output port registers, configuration registers and interrupt control register. All I/O ports offer latching transition detection when configured as inputs. All input ports are continuously monitored for changes.

A latching interrupt output, \overline{INT} , is programmed to flag logic changes on ports used as inputs. Data changes on any input port forces \overline{INT} to a logic-low. Changing the I/O port level through the serial interface does not cause an interrupt. The interrupt output \overline{INT} is cleared successfully by reading the corresponding input/output ports.

Ports default to logic-high or logic-low on power-up in groups of four (see Table 1).

INITIAL POWER-UP

On power-up, the transition detection logic is reset, and \overline{INT} is reset. The power-up default states of the 16 I/O ports are set according to the I²C slave address selection inputs, AD0 and AD1 (see Table 1). For I/O ports used as inputs, ensure that the default states are logic-high so that the I/O ports power up in the high impedance state.

POWER-ON RESET

The IS311O7325 contains an integral power-on-reset (POR) circuit that ensures all registers are reset to a known state on power-up. When VCC rises above VPOR (2.3V max), the POR circuit releases the registers and 2-wire interface for normal operation. When VCC drops to less than VPOR, the IS311O7325 resets all register contents to the POR defaults.

RST INPUT

The active-low \overline{RST} input voids any I²C transaction involving the IS311O7325, forcing the IS311O7325 into the I²C STOP condition. A reset does not affect the interrupt output.

STANDBY MODE

When the serial interface is idle, the IS311O7325 automatically enters standby mode, drawing minimal supply current.

I/O PORT INPUT TRANSITION DETECTION

All I/O ports configured as inputs are monitored for changes since the expander was last accessed through the serial interface. The open-drain interrupt output, \overline{INT} , activates when one of the port pins changes states and only when the pin is configured as an input. The interrupt deactivates when the input/output register is read. A pin configured as an output does not cause an interrupt. Each 8-bit port register is read independently; therefore, an interrupt caused by port A (OD0~OD7) is not cleared by a read of port B (PP0~PP7)'s register.

Changing an I/O from an output to an input may cause a false interrupt to occur if the state of that I/O does not match the content of output port register. The IS311O7325 has interrupt control register to avoid false interrupt by setting the interrupt control register bit high firstly, when the I/O state is stable, clear the interrupt control register to enable the input transition detection function.

ACCESSING THE IS311O7325

SERIAL ADDRESSING

The IS311O7325 operates as a slave that sends and receives data through a 2-wire interface. The interface uses a serial data line (SDA) and a serial clock line (SCL) to achieve bidirectional communication between master(s) and slave(s). A master, typically a microcontroller, initiates all data transfers to and from the IS311O7325, and generates the SCL clock that synchronizes the data transfer (see Figure 1).

SDA operates as both an input and an open-drain output. A pull up resistor, typically 4.7k Ω , is required on SDA. SCL operates only as an input. A pull up resistor, typically 4.7k Ω , is required on SCL if there are multiple masters on the 2-wire interface, or if the master in a single-master system has an open-drain SCL output. Each transmission consists of a START condition sent by a master, followed by the IS311O7325's 7-bit slave addresses plus R/W bits, 1 or more data bytes, and finally a STOP condition (see Figure 2).

IS31107325

START AND STOP CONDITIONS

Both SCL and SDA remain high when the interface is not busy. A master signals the beginning of a transmission with a START (S) condition by transitioning SDA from high to low while SCL is high. When the master has finished communicating with the slave, the master issues a STOP (P) condition by transitioning SDA from low to high while SCL is high. The bus is then free for another transmission (see Figure 2)

BIT TRANSFER

One data bit is transferred during each clock pulse. The data on SDA must remain stable while SCL is high (Figure 3).

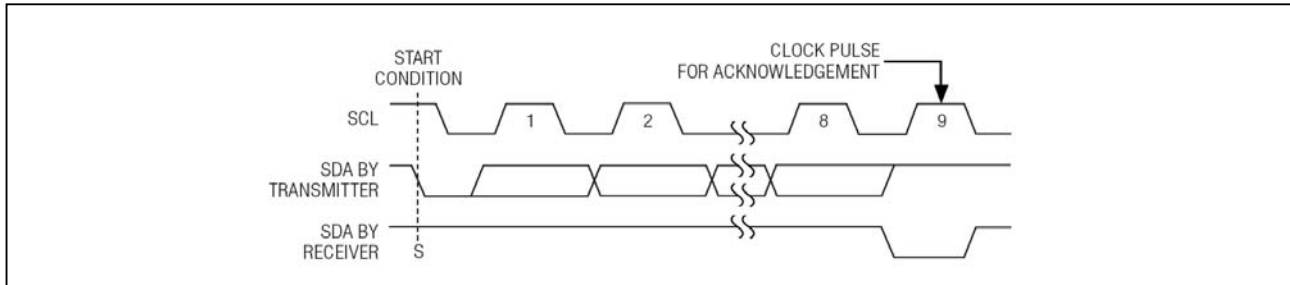


Figure 4 Acknowledge

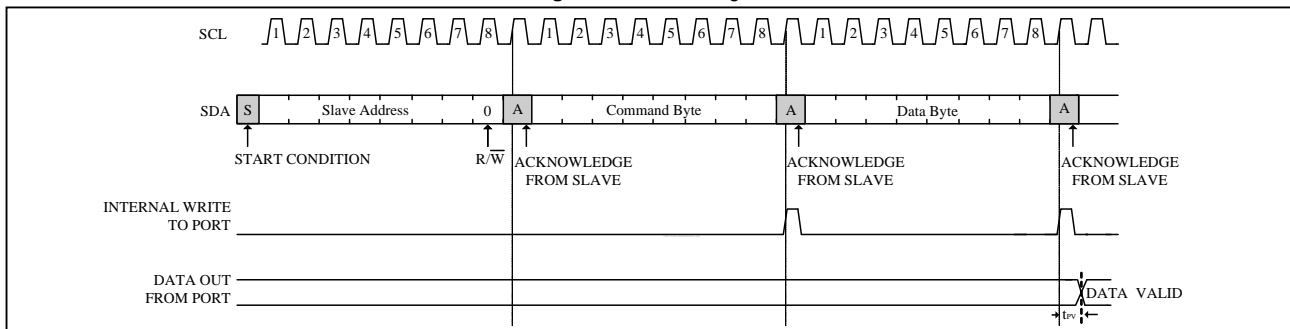


Figure 5 Writing to the IS31107325

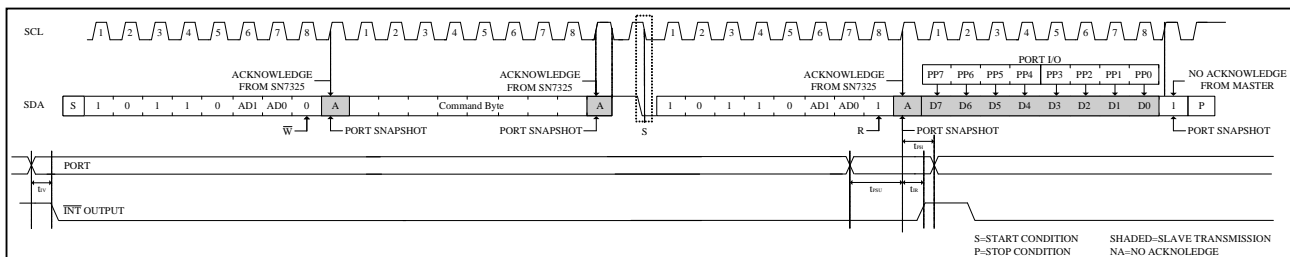


Figure 6 Reading I/O Ports of IS31107325

SLAVE ADDRESS

The IS31107325 has a 7-bit slave address. The 8th bit following the 7-bit slave address is the R/W bit. Set this bit low for a write command and high for a read command.

The complete slave address is:

A6	A5	A4	A3	A2	A1	A0	R/W
1	0	1	1	0	AD1	AD0	1/0

DATA BUS TRANSACTION

The command byte is the first byte to follow the 8-bit device slave address during a write transmission (see Table 2). The command byte is used to determine which of the following registers are written or read.

IS31IO7325

ACKNOWLEDGE

The acknowledge bit is a clocked 9th bit the recipient uses to acknowledge receipt of each byte of data (see Figure 4). Each byte transferred effectively requires 9bits. The master generates the 9th clock pulse, and the recipient pulls down SDA during the acknowledge clock pulse, such that the SDA line is stable low during the high period of the clock pulse. When the master is transmitting to the IS31IO7325, the device generates the acknowledge bit because the IS31IO7325 is the recipient. When the IS31IO7325 is transmitting to the master, the master generates the acknowledge bit because the master is the recipient.

CONFIGURATION REGISTERS

The configuration registers configure the directions of the I/O pins. Set the bit in the respective configuration register to enable the corresponding port as an input. Clear the bit in the configuration register to enable the corresponding port as an output.

INTERRUPT CONTROL REGISTERS

The interrupt control registers control the interrupt function of I/O ports when the I/O port used as input. Set the bit in the respective interrupt control register to disable the corresponding port's interrupt function. Clear the bit in the interrupt control register to enable the corresponding port's interrupt function.

WRITING TO PORT REGISTERS

Transmit data to the IS31IO7325 by sending the device slave address and setting the LSB to a logic zero. The command byte is sent after the address and determines which registers receive the data following the command byte.

A write to either output port groups of the IS31IO7325 starts with the master transmitting the group's slave address with the R/\overline{W} bit set low. The master can now transmit the command byte and data byte.

READING PORT REGISTERS

To read the device data, the bus master must first send the IS31IO7325 address with the R/\overline{W} bit set to zero, followed by the command byte, which determines which register is accessed. After a restart, the bus master must then send the IS31IO7325 address with the R/\overline{W} bit set to 1. Data from the register defined by the command byte is then sent from the IS31IO7325 to the master.

The IS31IO7325 acknowledges the slave address, and samples the ports during the acknowledge bit. \overline{INT} asserts during the slave address acknowledge. When the master reads one byte from the I/O ports of the IS31IO7325 and subsequently issues a STOP condition (Figure 6), the IS31IO7325 transmits the current port data, clears the change flags, and resets

the transition detection. \overline{INT} asserts during the slave acknowledge. The new snapshot data is the current port data transmitted to the master, and therefore, port changes occurring during the transmission are detected.

PORT OUTPUT SIGNAL-LEVEL TRANSLATION

The open-drain output architecture allows for level translation to higher or lower voltages than the IS31IO7325's supply. Each of the push-pull output ports has protection diodes to V+ and GND. When a port output is driven to a voltage higher than V+ or lower than GND, the appropriate protection diode clamps the output to a diode drop above V+ or below GND. When the IS31IO7325 is powered down (V+ = 0V), every output port's protection diodes to V+ and GND continue to appear as a diode clamp from each output to GND (Figure 7). Each of the I/O ports OD0~OD7 has a protection diode to GND (Figure 8). When a port is driven to a voltage lower than GND, the protection diode clamps the port to a diode drop below GND. To obtain a high voltage, Open-Drain I/O Ports should connect an resistance to Vcc(Figure 8).

In the case of LED load at OD outputs, the voltage at OD is between Vcc and GND when OD is intended high to turn off the LED, causing Icc leakage current. A 100K pull-up resistor will force OD high at Vcc and eliminate the leakage current. PP outputs can be set high at Vcc with LED load, resulting in no leakage current without any pull-up resistor.

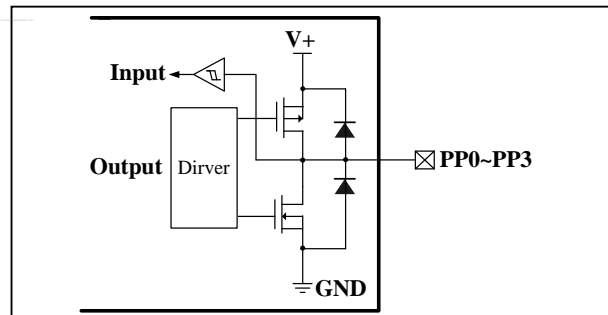


Figure 7 IS31IO7325 Push-Pull I/O Ports Structure

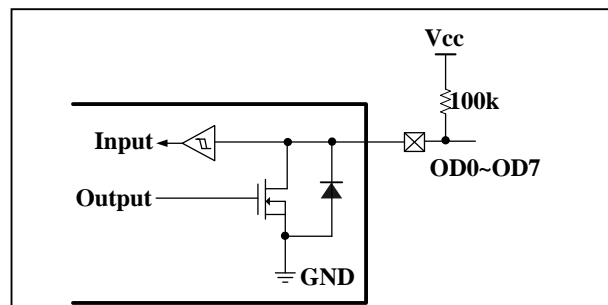


Figure 8 IS31IO7325 Open-Drain I/O Ports Structure

IS31107325

CLASSIFICATION REFLOW PROFILES

Profile Feature	Pb-Free Assembly
Preheat & Soak Temperature min (T _{smin}) Temperature max (T _{smax}) Time (T _{smin} to T _{smax}) (t _s)	150°C 200°C 60-120 seconds
Average ramp-up rate (T _{smax} to T _p)	3°C/second max.
Liquidous temperature (T _L) Time at liquidous (t _L)	217°C 60-150 seconds
Peak package body temperature (T _p)*	Max 260°C
Time (t _p)** within 5°C of the specified classification temperature (T _c)	Max 30 seconds
Average ramp-down rate (T _p to T _{smax})	6°C/second max.
Time 25°C to peak temperature	8 minutes max.

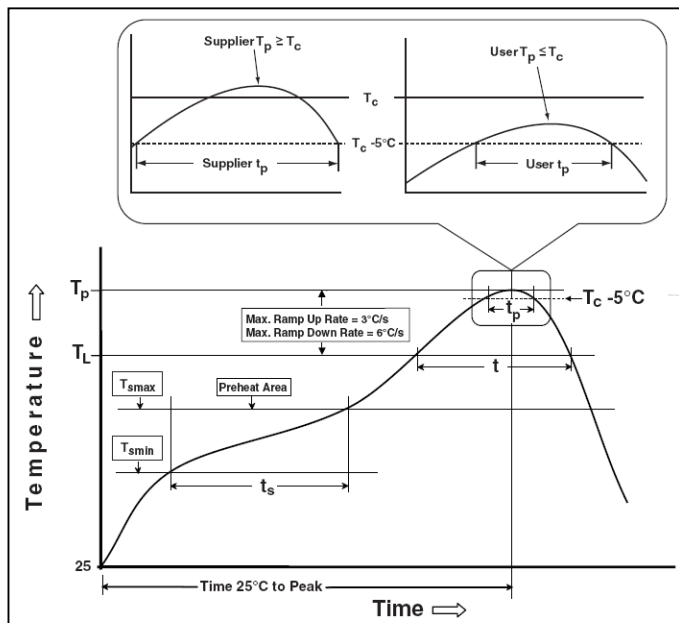
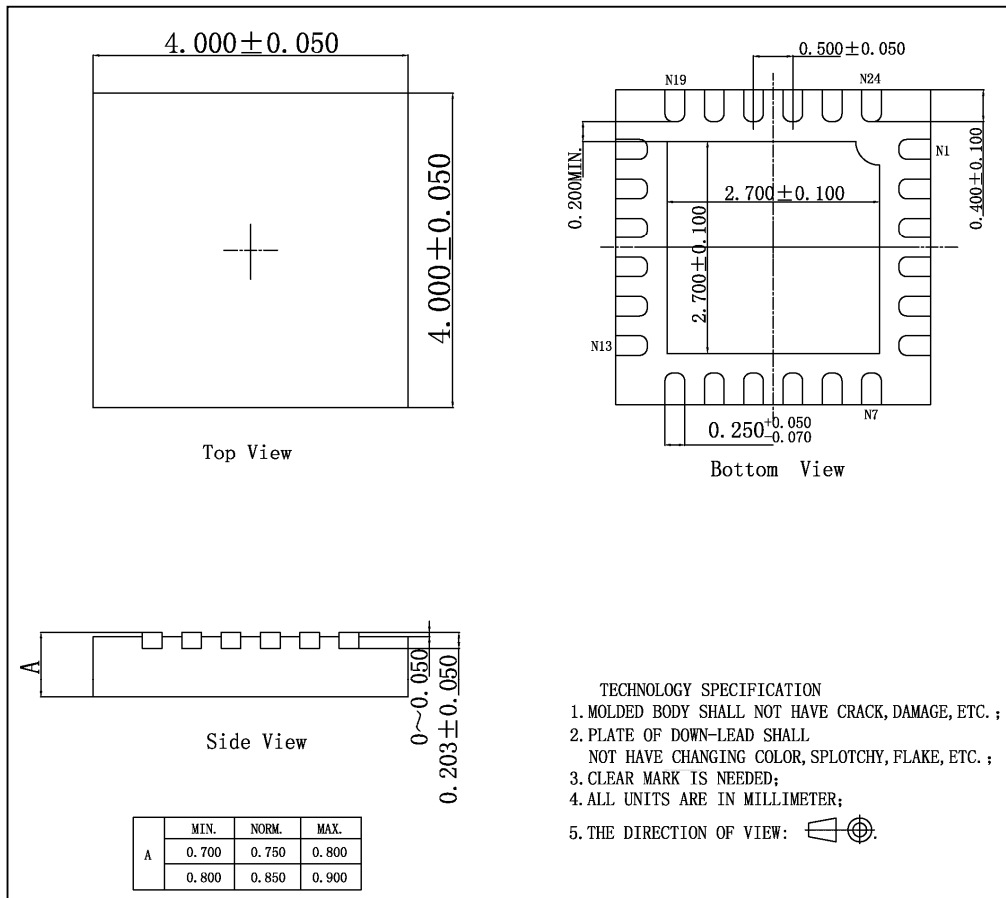


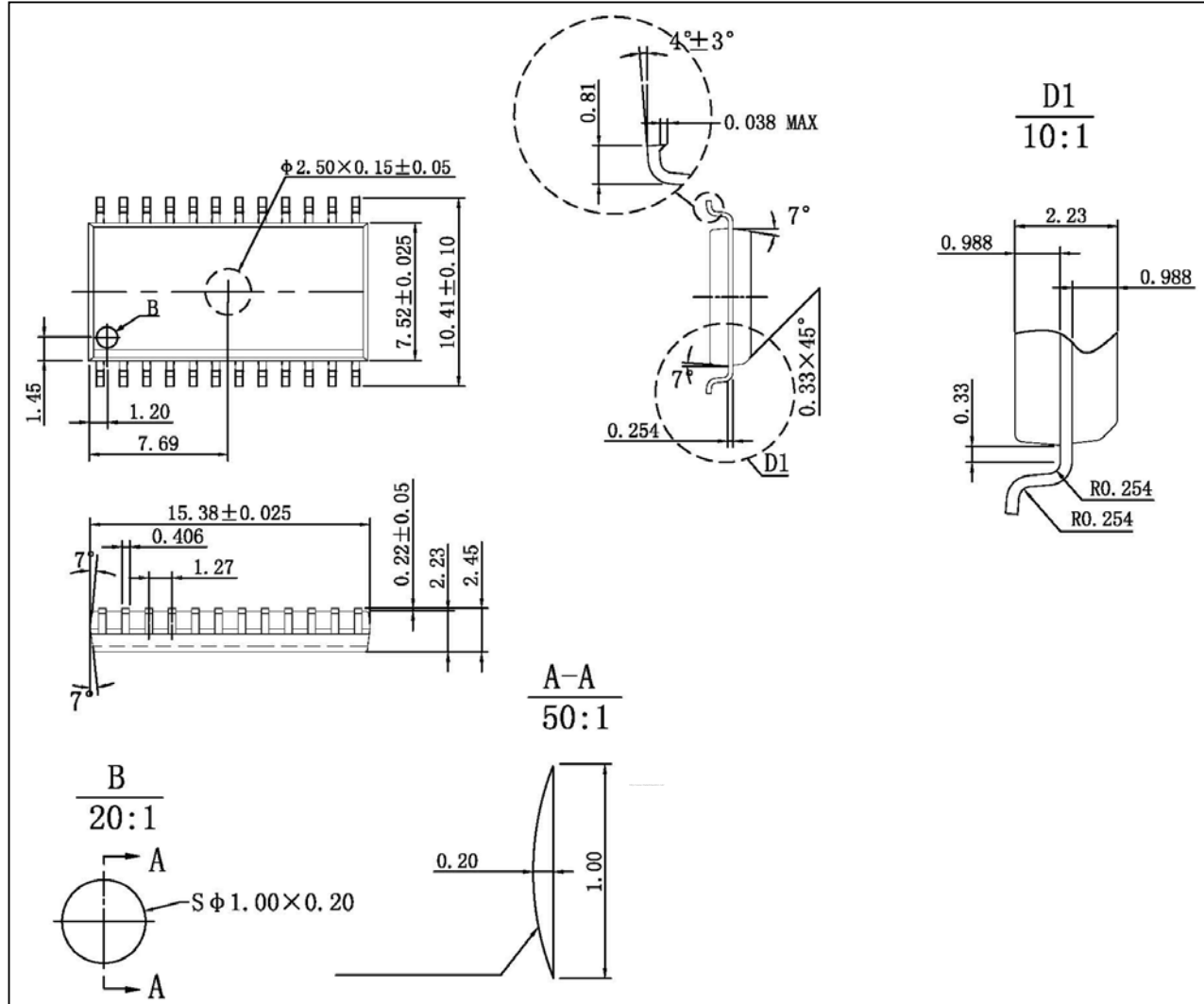
Figure 9 Classification Profile

PACKAGE INFORMATION

QFN-24



SOP-24



Note: All dimensions in millimeters unless otherwise stated.