

IS93C76A IS93C86A

8K-BIT/16K-BIT SERIAL ELECTRICALLY ERASABLE PROM

Preliminary Information
MAY 2005

FEATURES

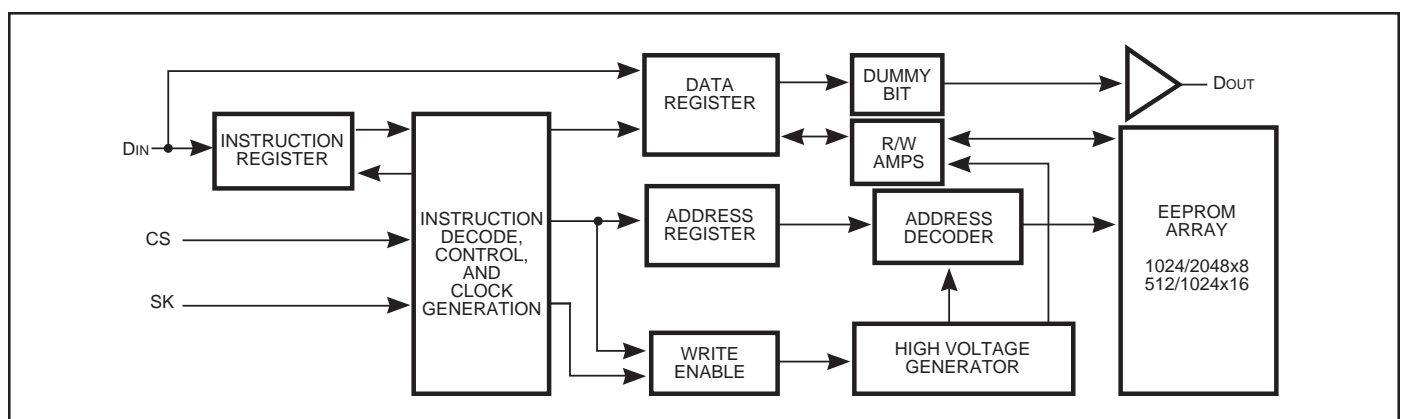
- Industry-standard Microwire Interface
 - Non-volatile data storage
 - Low voltage operation:
 - $V_{CC} = 1.8V$ to $5.5V$ -2
 - $V_{CC} = 2.5V$ to $5.5V$ -3
 - Full TTL compatible inputs and outputs
 - Auto increment for efficient data dump
- User Configured Memory Organization
 - By 16-bit or by 8-bit
- Hardware and software write protection
 - Defaults to write-disabled state at power-up
 - Software instructions for write-enable/disable
- Enhanced low voltage CMOS E²PROM technology
- Versatile, easy-to-use Interface
 - Self-timed programming cycle
 - Automatic erase-before-write
 - Programming status indicator
 - Word and chip erasable
 - Chip select enables power savings
- Durable and reliable
 - 40-year data retention after 1M write cycles
 - 1 million write cycles
 - Unlimited read cycles
 - Schmitt-trigger Inputs
- Industrial and Automotive Temperature Grade
- Lead-free available

DESCRIPTION

IS93C76A/86A are 8kb/16kb non-volatile, ISSI[®] serial EEPROMs. They are fabricated using an enhanced CMOS design and process. IS93C76A/86A contains power-efficient read/write memory, and organization of either 1,024/2,048 bytes of 8 bits or 512/1,024 words of 16 bits. When the ORG pin is connected to V_{CC} or left unconnected, x16 is selected; when it is connected to ground, x8 is selected.

An instruction set defines the operation of the devices, including read, write, and mode-enable functions. To protect against inadvertent data modification, all erase and write instructions are accepted only while the device are write-enabled. A selected x8 byte or x16 word can be modified with a single WRITE or ERASE instruction. Additionally, the two instructions WRITE ALL or ERASE ALL can program an entire array. Once a device begins its self-timed program procedure, the data out pin (Dout) can indicate the READY/BUSY status by raising chip select (CS). The self-timed write cycle includes an automatic erase-before-write capability. The devices can output any number of consecutive bytes/words using a single READ instruction.

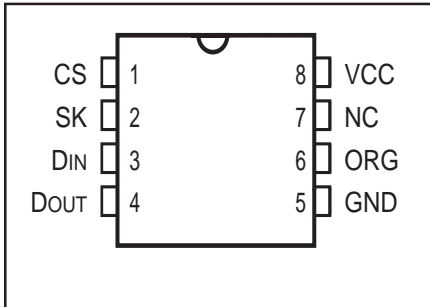
FUNCTIONAL BLOCK DIAGRAM



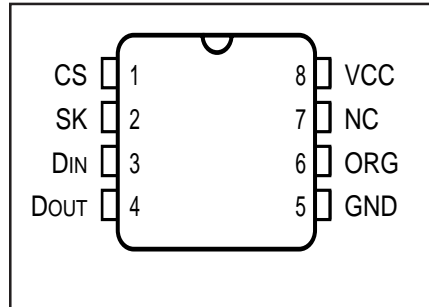
Copyright © 2005 Integrated Silicon Solution, Inc. All rights reserved. ISSI reserves the right to make changes to this specification and its products at any time without notice. ISSI assumes no liability arising out of the application or use of any information, products or services described herein. Customers are advised to obtain the latest version of this device specification before relying on any published information and before placing orders for products.

PIN CONFIGURATIONS

8-Pin DIP, 8-Pin TSSOP



8-Pin JEDEC SOIC "GR"



PIN DESCRIPTIONS

CS	Chip Select
SK	Serial Data Clock
DIN	Serial Data Input
DOUT	Serial Data Output
ORG	Organization Select
NC	Not Connected
Vcc	Power
GND	Ground

Applications

The IS93C76A/86A are very popular in many applications which require low-power, low-density storage. Applications using these devices include industrial controls, networking, and numerous other consumer electronics.

Endurance and Data Retention

The IS93C76A/86A are designed for applications requiring up to 1M programming cycles (WRITE, WRALL, ERASE and ERAL). They provide 40 years of secure data retention without power after the execution of 1M programming cycles.

Device Operations

The IS93C76A/86A are controlled by a set of instructions which are clocked-in serially on the Din pin. Before each low-to-high transition of the clock (SK), the CS pin must have already been raised to HIGH, and the Din value must be stable at either LOW or HIGH. Each

instruction begins with a start bit of the logical "1" or HIGH. Following this are the opcode (2 bits), address field (10 or 11 bits), and data, if appropriate. The clock signal may be held stable at any moment to suspend the device at its last state, allowing clock-speed flexibility. Upon completion of bus communication, CS would be pulled LOW. The device then would enter Standby mode if no internal programming is underway.

Read (READ)

The READ instruction is the only instruction that outputs serial data on the DOUT pin. After the read instruction and address have been decoded, data is transferred from the selected memory register into a serial shift register. (Please note that one logical "0" bit precedes the actual 8 or 16-bit output data string.) The output on DOUT changes during the low-to-high transitions of SK (see Figure 3).

Low Voltage Read

The IS93C76A/86A are designed to ensure that data read operations are reliable in low voltage environments. They provide accurate operation with Vcc as low as 1.8V.

Auto Increment Read Operations

In the interest of memory transfer operation applications, the IS93C76A/86A are designed to output a continuous stream of memory content in response to a single read operation instruction. To utilize this function, the system asserts a read instruction specifying a start location address. Once the 8 or 16 bits of the addressed register have been clocked out, the data in consecutively higher address locations is output. The address will wrap around continuously with CS HIGH until the chip select (CS) control pin is brought LOW. This allows for single instruction data dumps to be executed with a minimum of firmware overhead.

Write Enable (WEN)

The write enable (WEN) instruction must be executed before any device programming (WRITE, WRALL, ERASE, and ERAL) can be done. When Vcc is applied, this device powers up in the write disabled state. The device then remains in a write disabled state until a WEN instruction is executed. Thereafter, the device remains enabled until a WDS instruction is executed or until Vcc is removed. (See Figure 4.) (Note: Chip select must remain LOW until Vcc reaches its operational value.)

Write (WRITE)

The WRITE instruction includes 8 or 16 bits of data to be written into the specified register. After the last data bit has been applied to DIN, and before the next rising edge of SK, CS must be brought LOW. If the device is write-enabled, then the falling edge of CS initiates the self-timed programming cycle (see WEN).

If CS is brought HIGH, after a minimum wait of 200 ns (5V operation) after the falling edge of CS (tcs) DOUT will indicate the READY/BUSY status of the chip. Logical "0" means programming is still in progress; logical "1" means the selected register has been written, and the part is ready for another instruction (see Figure 5). The READY/BUSY status will not be available if: a) The CS input goes HIGH after the end of the self-timed programming cycle, twp; or b) Simultaneously CS is HIGH, Din is HIGH, and SK goes HIGH, which clears the status flag.

Write All (WRALL)

The write all (WRALL) instruction programs all registers with the data pattern specified in the instruction. As with the WRITE instruction, the falling edge of CS must occur to initiate the self-timed programming cycle. If CS is then brought HIGH after a minimum wait of 200 ns (tcs), the DOUT pin indicates the READY/BUSY status of the chip (see Figure 6). Vcc is required to be above 4.5V for WRALL to function properly.

Write Disable (WDS)

The write disable (WDS) instruction disables all programming capabilities. This protects the entire device against accidental modification of data until a WEN instruction is executed. (When Vcc is applied, this part powers up in the write disabled state.) To protect data, a WDS instruction should be executed upon completion of each programming operation.

Erase Register (ERASE)

After the erase instruction is entered, CS must be brought LOW. The falling edge of CS initiates the self-timed internal programming cycle. Bringing CS HIGH after a minimum of tcs, will cause DOUT to indicate the READ/BUSY status of the chip: a logical "0" indicates programming is still in progress; a logical "1" indicates the erase cycle is complete and the part is ready for another instruction (see Figure 8).

Erase All (ERALL)

Full chip erase is provided for ease of programming. Erasing the entire chip involves setting all bits in the entire memory array to a logical "1" (see Figure 9). Vcc is required to be above 4.5V for ERALL to function properly.

INSTRUCTION SET - IS93C76A (8kb)

Instruction ⁽²⁾	Start Bit	OP Code	8-bit Organization (ORG = GND)		16-bit Organization (ORG = Vcc)	
			Address ⁽¹⁾	Input Data	Address ⁽¹⁾	Input Data
READ	1	10	x(A9-A0)	—	x(A8-A0)	—
WEN (Write Enable)	1	00	11x xxxx xxxx	—	11 xxxx xxxx	—
WRITE	1	01	x(A9-A0)	(D7-D0)	x(A8-A0)	(D15-D0)
WRALL (Write All Registers)	1	00	01x xxxx xxxx	(D7-D0)	01 xxxx xxxx	(D15-D0)
WDS (Write Disable)	1	00	00x xxxx xxxx	—	00 xxxx xxxx	—
ERASE	1	11	x(A9-A0)	—	x(A8-A0)	—
ERAL (Erase All Registers)	1	00	10x xxxx xxxx	—	10 xxxx xxxx	—

Notes:

1. x = Don't care bit.
2. If the number of bits clocked-in does not match the number corresponding to a selected command, all extra trailing bits are ignored, and WRITE, WRALL, ERASE, ERAL, WEN, and WDS instructions are rejected, but READ is accepted.

INSTRUCTION SET - IS93C86A (16kb)

Instruction ⁽²⁾	Start Bit	OP Code	8-bit Organization (ORG = GND)		16-bit Organization (ORG = Vcc)	
			Address ⁽¹⁾	Input Data	Address ⁽¹⁾	Input Data
READ	1	10	(A10-A0)	—	(A9-A0)	—
WEN (Write Enable)	1	00	11x xxxx xxxx	—	11 xxxx xxxx	—
WRITE	1	01	(A10-A0)	(D7-D0)	(A9-A0)	(D15-D0)
WRALL (Write All Registers)	1	00	01x xxxx xxxx	(D7-D0)	01 xxxx xxxx	(D15-D0)
WDS (Write Disable)	1	00	00x xxxx xxxx	—	00 xxxx xxxx	—
ERASE	1	11	(A10-A0)	—	(A9-A0)	—
ERAL (Erase All Registers)	1	00	10x xxxx xxxx	—	10 xxxx xxxx	—

Notes:

1. x = Don't care bit.
2. If the number of bits clocked-in does not match the number corresponding to a selected command, all extra trailing bits are ignored, and WRITE, WRALL, ERASE, ERAL, WEN, and WDS instructions are rejected, but READ is accepted.

IS93C76A

IS93C86A

ABSOLUTE MAXIMUM RATINGS⁽¹⁾

Symbol	Parameter	Value	Unit
V _S	Supply Voltage	-0.5 to +6.5	V
V _P	Voltage on Any Pin	-0.5 to V _{CC} + 0.5	V
T _{BIAS}	Temperature Under Bias	-55 to +125	°C
T _{STG}	Storage Temperature	-65 to +150	°C
I _{OUT}	Output Current	5	mA

Notes:

1. Stress greater than those listed under ABSOLUTE MAXIMUM RATINGS may cause permanent damage to the device. This is a stress rating only and functional operation of the device at these or any other conditions above those indicated in the operational sections of this specification is not implied. Exposure to absolute maximum rating conditions for extended periods may affect reliability.

OPERATING RANGE

Range	Ambient Temperature	V _{CC}
Industrial	-40°C to +85°C	1.8V to 5.5V or 2.5V to 5.5V
Automotive	-40°C to +125°C	2.5V to 5.5V

DataSheet4U.com

CAPACITANCE

Symbol	Parameter	Conditions	Max.	Unit
C _{IN}	Input Capacitance	V _{IN} = 0V	5	pF
C _{OUT}	Output Capacitance	V _{OUT} = 0V	5	pF

DC ELECTRICAL CHARACTERISTICS

T_A = -40°C to +85°C for Industrial and -40°C to +125°C for Automotive.

Symbol	Parameter	Test Conditions	V _{cc}	Min.	Max.	Unit
V _{OL3}	Output LOW Voltage	I _{OL} = 100 μA	1.8V to 5.5V	—	0.2	V
V _{OL2}	Output LOW Voltage	I _{OL} = 100 μA	2.5V to 5.5V	—	0.2	V
V _{OL1}	Output LOW Voltage	I _{OL} = 2.1 mA	4.5V to 5.5V	—	0.4	V
V _{OH3}	Output HIGH Voltage	I _{OH} = -100 μA	1.8V to 5.5V	V _{cc} - 0.2	—	V
V _{OH2}	Output HIGH Voltage	I _{OH} = -100 μA	2.5V to 5.5V	V _{cc} - 0.2	—	V
V _{OH1}	Output HIGH Voltage	I _{OH} = -400 μA	4.5V to 5.5V	2.4	—	V
V _{IH}	Input HIGH Voltage		1.8V to 5.5V 2.5V to 5.5V 4.5V to 5.5V	0.7xV _{cc} 0.7xV _{cc} 2.0	V _{cc} +1 V _{cc} +1 V _{cc} +1	V
V _{IL}	Input LOW Voltage		1.8V to 5.5V 2.5V to 5.5V 4.5V to 5.5V	-0.3 -0.3 -0.3	0.2xV _{cc} 0.2xV _{cc} 0.8	V
I _{LI}	Input Leakage	V _{IN} = 0V to V _{cc} (CS, SK, D _{IN} , ORG)		0	2.5	μA
I _{LO}	Output Leakage	V _{OUT} = 0V to V _{cc} , CS = 0V		0	2.5	μA

Notes:

Automotive grade devices in this table are tested with V_{cc} = 2.5V to 5.5V and 4.5V to 5.5V. Operations with V_{cc} < 2.5V is not specified.

DataSheet4U.com

POWER SUPPLY CHARACTERISTICS

T_A = -40°C to +85°C for Industrial, and -40°C to +125°C for Automotive.

Symbol	Parameter	Test Conditions	V _{cc}	Min.	Typ.	Max.	Unit
I _{cc1}	V _{cc} Read Supply Current	CS = V _{IH} , SK = 1 MHz, CMOS input levels	1.8V	—	0.1	1	mA
		CS = V _{IH} , SK = 2 MHz, CMOS input levels	2.5V	—	0.2	1	mA
		CS = V _{IH} , SK = 2 MHz, CMOS input levels	5.0V	—	0.5	2	mA
I _{cc2}	V _{cc} Write Supply Current	CS = V _{IH} , SK = 1 MHz, CMOS input levels	1.8V	—	0.5	1	mA
		CS = V _{IH} , SK = 2 MHz, CMOS input levels	2.5V	—	1	2	mA
		CS = V _{IH} , SK = 2 MHz, CMOS input levels	5.0V	—	2	3	mA
I _{SB1}	Standby Current	CS = GND, SK = GND, ORG = V _{cc} or Floating (x16)	1.8V	—	0.1	1	μA
			2.5V	—	0.1	2	μA
			5.0V	—	0.2	4	μA
I _{SB2}	Standby Current	CS = GND, SK = GND, ORG = GND (x8)	1.8V	—	6	10	μA
			2.5V	—	6	10	μA
			5.0V	—	10	15	μA

IS93C76A

IS93C86A

AC ELECTRICAL CHARACTERISTICS

TA = -40°C to +85°C for Industrial

Symbol	Parameter	Test Conditions	Vcc	Min.	Max.	Unit
f _{SK}	SK Clock Frequency		1.8V to 5.5V	0	1	Mhz
			2.5V to 5.5V	0	2	Mhz
			4.5V to 5.5V	0	3	Mhz
t _{SKH}	SK HIGH Time		1.8V to 5.5V	250	—	ns
			2.5V to 5.5V	200	—	ns
			4.5V to 5.5V	200	—	ns
t _{SKL}	SK LOW Time		1.8V to 5.5V	250	—	ns
			2.5V to 5.5V	200	—	ns
			4.5V to 5.5V	100	—	ns
t _{CS}	Minimum CS LOW Time		1.8V to 5.5V	250	—	ns
			2.5V to 5.5V	200	—	ns
			4.5V to 5.5V	200	—	ns
t _{CSS}	CS Setup Time	Relative to SK	1.8V to 5.5V	200	—	ns
			2.5V to 5.5V	100	—	ns
			4.5V to 5.5V	50	—	ns
t _{DIS}	Din Setup Time	Relative to SK	1.8V to 5.5V	100	—	ns
			2.5V to 5.5V	50	—	ns
			4.5V to 5.5V	50	—	ns
t _{CSH}	CS Hold Time	Relative to SK	1.8V to 5.5V	0	—	ns
			2.5V to 5.5V	0	—	ns
			4.5V to 5.5V	0	—	ns
t _{DIH}	Din Hold Time	Relative to SK	1.8V to 5.5V	50	—	ns
			2.5V to 5.5V	50	—	ns
			4.5V to 5.5V	50	—	ns
t _{PD1}	Output Delay to "1"	AC Test	1.8V to 5.5V	—	400	ns
			2.5V to 5.5V	—	200	ns
			4.5V to 5.5V	—	100	ns
t _{PD0}	Output Delay to "0"	AC Test	1.8V to 5.5V	—	400	ns
			2.5V to 5.5V	—	200	ns
			4.5V to 5.5V	—	100	ns
t _{SV}	CS to Status Valid	AC Test	1.8V to 5.5V	—	400	ns
			2.5V to 5.5V	—	200	ns
			4.5V to 5.5V	—	200	ns
t _{DF}	CS to Dout in 3-state	AC Test, CS=VIL	1.8V to 5.5V	—	100	ns
			2.5V to 5.5V	—	100	ns
			4.5V to 5.5V	—	100	ns
t _{WP}	Write Cycle Time		1.8V to 5.5V	—	10	ms
			2.5V to 5.5V	—	5	ms
			4.5V to 5.5V	—	5	ms

Notes:

1. C_L = 100pF
2. The devices IS9376A/86A-2 are tested to meet the timing values of both 1.8V-5.5V, 2.5V-5.5V, and 4.5V-5.5V.
3. The devices IS9376A/86A-3 are tested to meet the timing values of both 2.5V-5.5V and 4.5V-5.5V.

AC ELECTRICAL CHARACTERISTICS

TA = -40°C to +125°C for Automotive

Symbol	Parameter	Test Conditions	Vcc	Min.	Max.	Unit
fSK	SK Clock Frequency		2.5V to 5.5V	0	2	Mhz
			4.5V to 5.5V	0	3	Mhz
tSKH	SK HIGH Time		2.5V to 5.5V	200	—	ns
			4.5V to 5.5V	200	—	ns
tSKL	SK LOW Time		2.5V to 5.5V	200	—	ns
			4.5V to 5.5V	100	—	ns
tCS	Minimum CS LOW Time		2.5V to 5.5V	200	—	ns
			4.5V to 5.5V	200	—	ns
tCSS	CS Setup Time	Relative to SK	2.5V to 5.5V	100	—	ns
			4.5V to 5.5V	50	—	ns
tDIS	Din Setup Time	Relative to SK	2.5V to 5.5V	50	—	ns
			4.5V to 5.5V	50	—	ns
tCSH	CS Hold Time	Relative to SK	2.5V to 5.5V	0	—	ns
			4.5V to 5.5V	0	—	ns
tDIH	Din Hold Time	Relative to SK	2.5V to 5.5V	50	—	ns
			4.5V to 5.5V	50	—	ns
tPD1	Output Delay to "1"	AC Test	2.5V to 5.5V	—	200	ns
			4.5V to 5.5V	—	100	ns
tPD0	Output Delay to "0"	AC Test	2.5V to 5.5V	—	200	ns
			4.5V to 5.5V	—	100	ns
tSV	CS to Status Valid	AC Test	2.5V to 5.5V	—	200	ns
			4.5V to 5.5V	—	200	ns
tDF	CS to Dout in 3-state	AC Test, CS=VIL	2.5V to 5.5V	—	100	ns
			4.5V to 5.5V	—	100	ns
tWP	Write Cycle Time		2.5V to 5.5V	—	5	ms
			4.5V to 5.5V	—	5	ms

Notes:

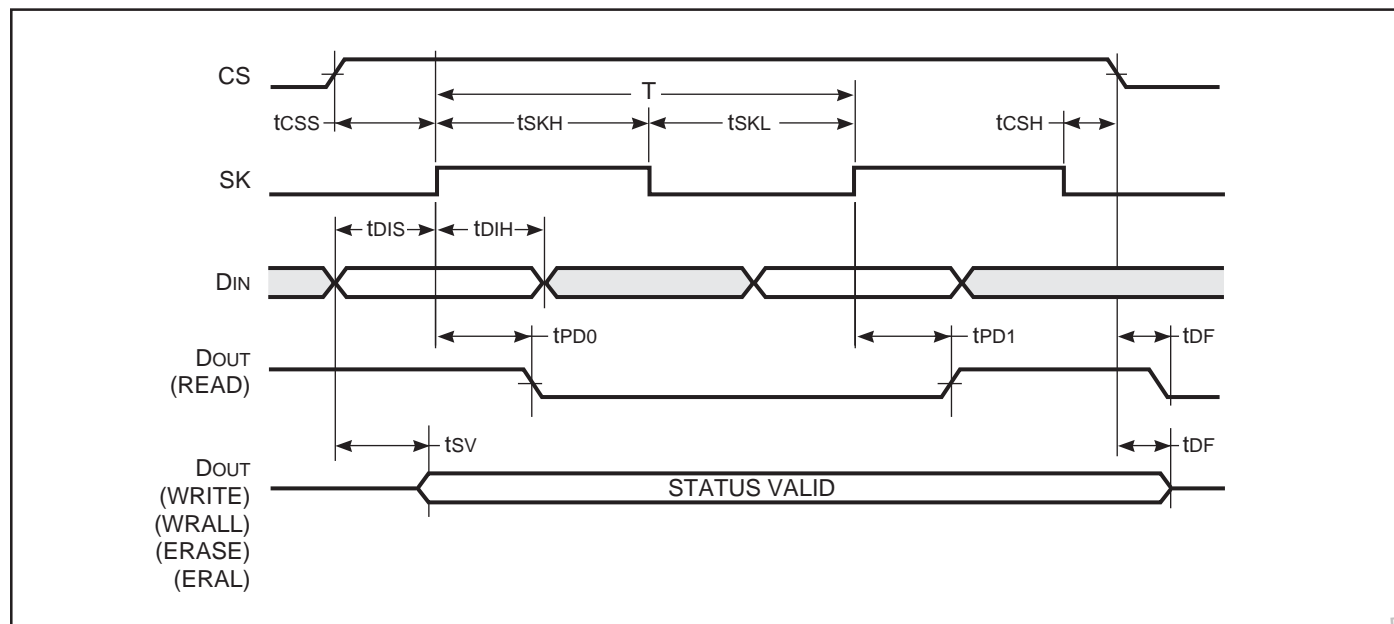
1. C_L = 100pF
2. The devices IS9376A/86A-3 are tested to meet the timing values of both 2.5V-5.5V and 4.5V-5.5V.

IS93C76A

IS93C86A

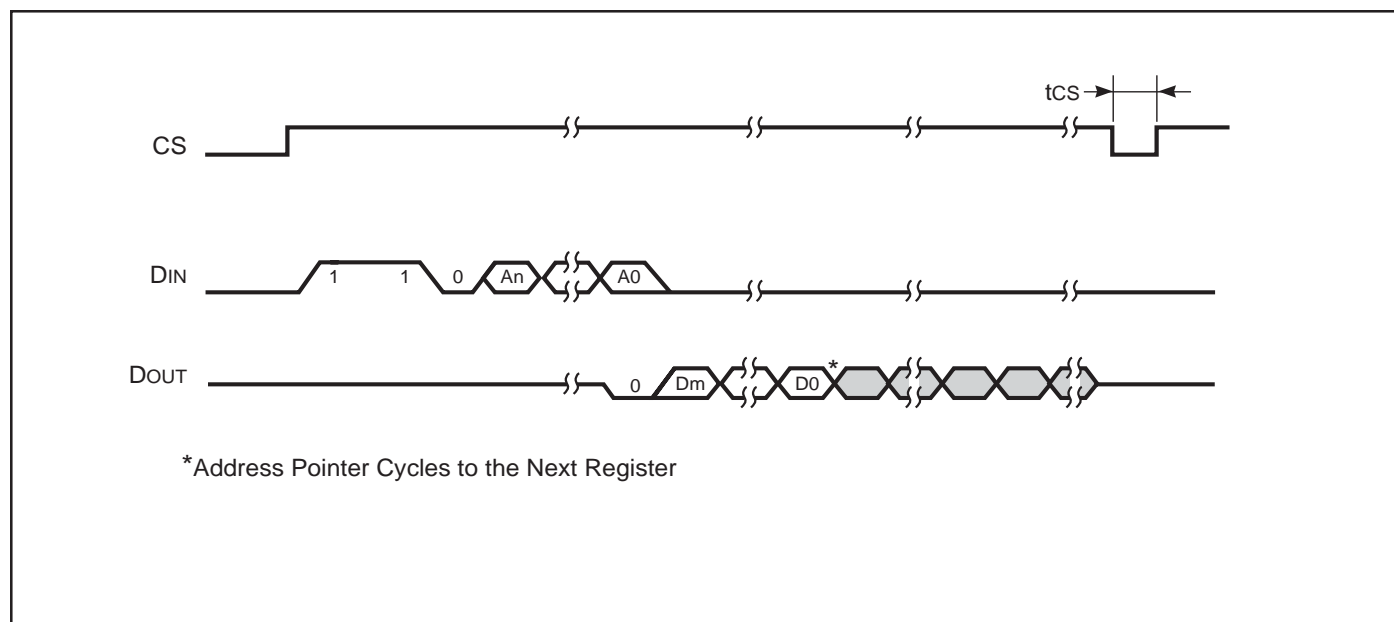
AC WAVEFORMS

FIGURE 2. SYNCHRONOUS DATA TIMING



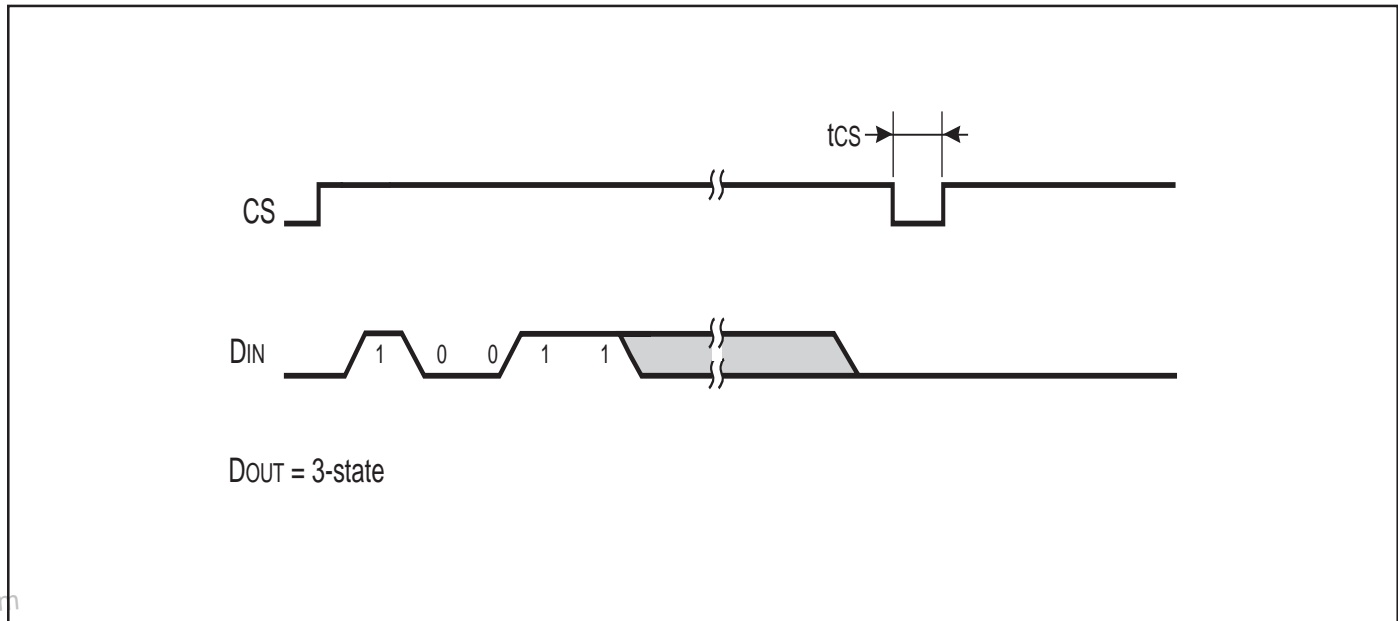
DataSheet4U.com

FIGURE 3. READ CYCLE TIMING

**Notes:**To determine address bits A_n - A_0 and data bits D_m - D_0 , see Instruction Set for the specific device.

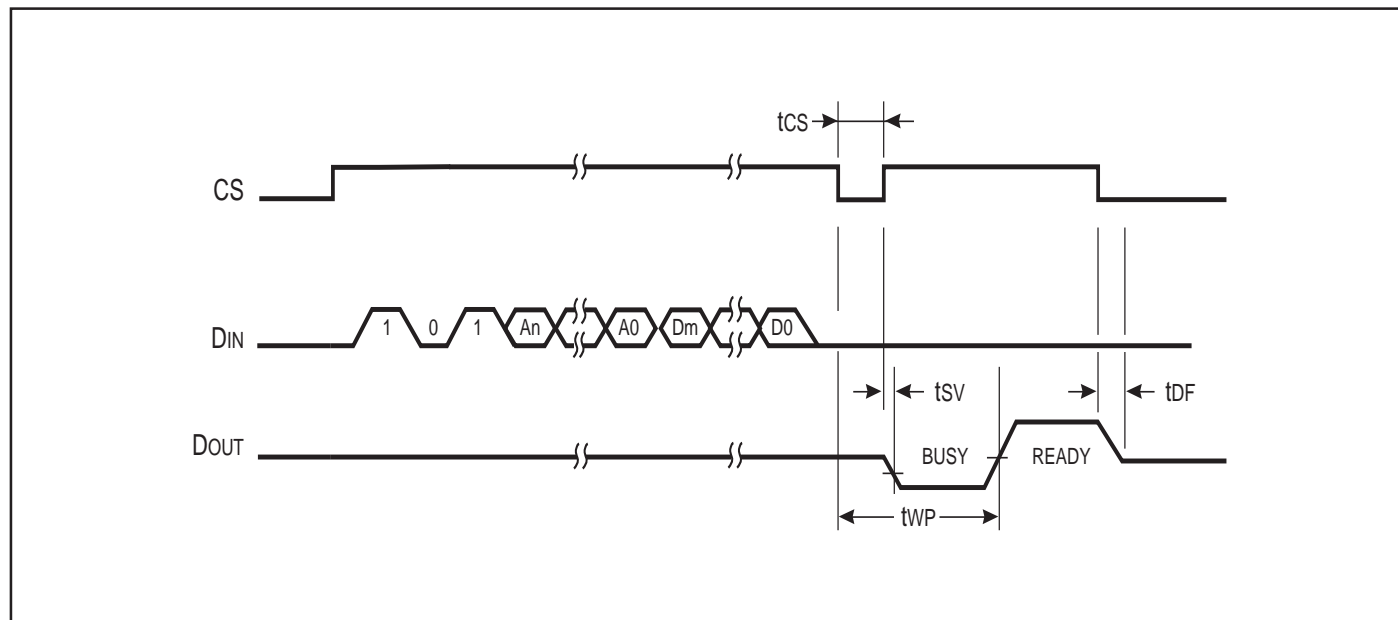
AC WAVEFORMS

FIGURE 4. WRITE ENABLE (WEN) CYCLE TIMING



DataSheet4U.com

FIGURE 5. WRITE (WRITE) CYCLE TIMING

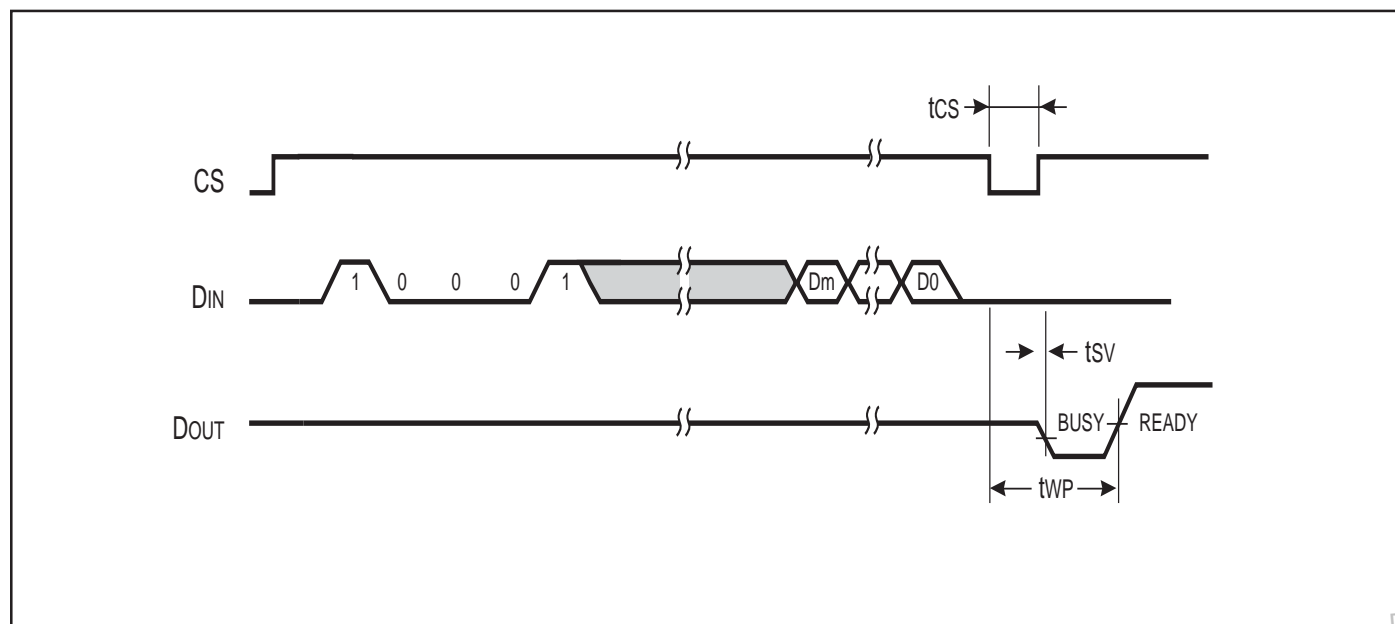
**Notes:**

1. After the completion of the instruction (DOUT is in READY status) then it may perform another instruction. If device is in **BUSY** status (Dout indicates **BUSY** status) then attempting to perform another instruction could cause device malfunction.
2. To determine address bits A_n - A_0 and data bits D_m - D_0 , see Instruction Set for the specific device.

www.DataSheet4U.com

AC WAVEFORMS

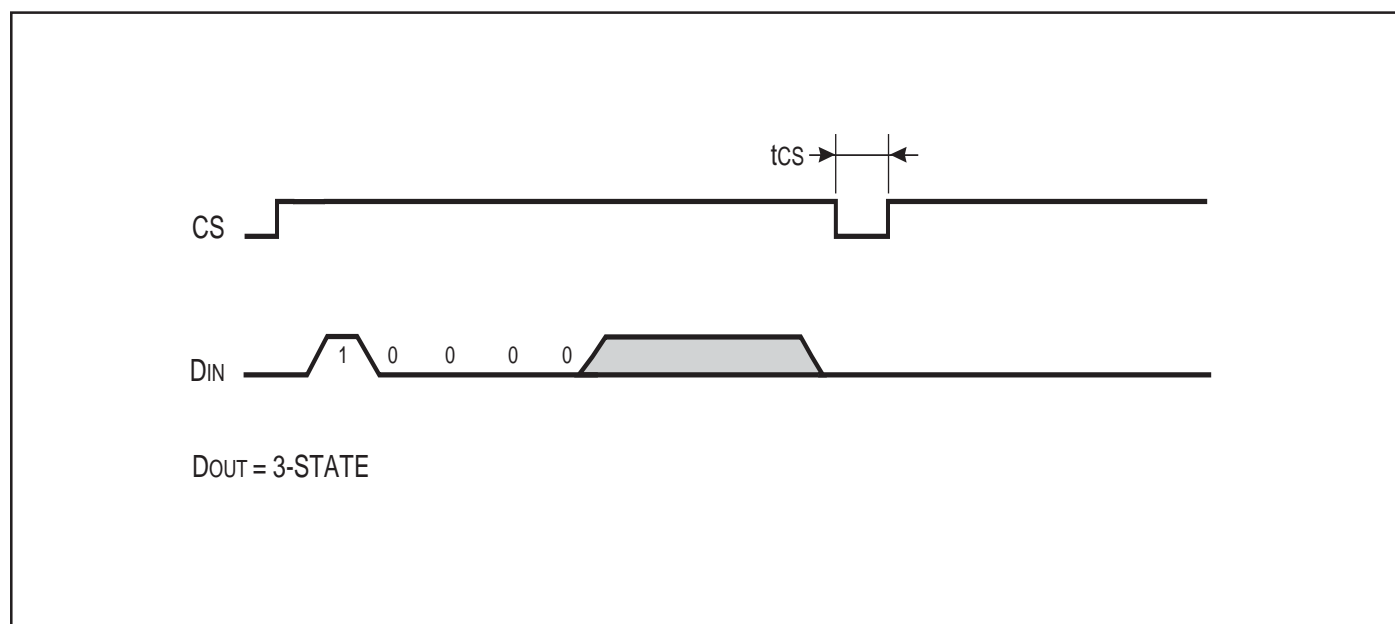
FIGURE 6. WRITE ALL (WRALL) CYCLE TIMING



Notes:

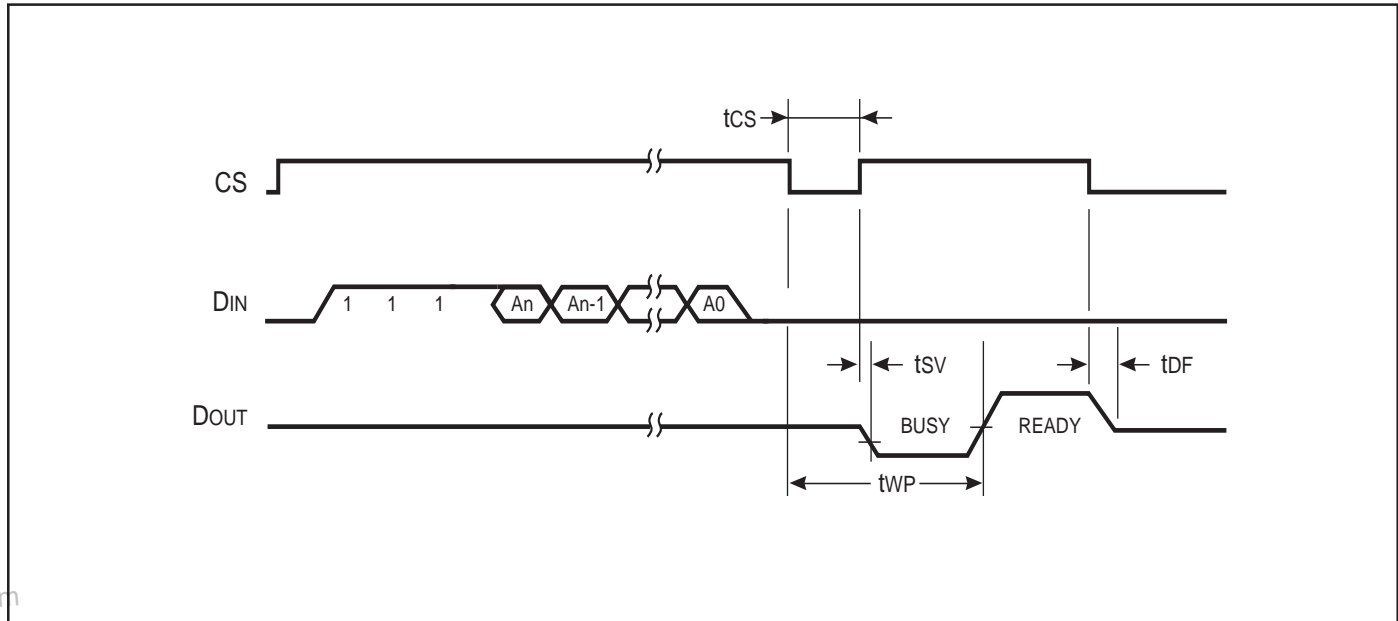
1. After the completion of the instruction (DOUT is in READY status) then it may perform another instruction. If device is in **BUSY** status (DOUT indicates **BUSY** status) then attempting to perform another instruction could cause device malfunction.
2. To determine data bits D_m - D_0 , see Instruction Set for the appropriate device.

FIGURE 7. WRITE DISABLE (WDS) CYCLE TIMING



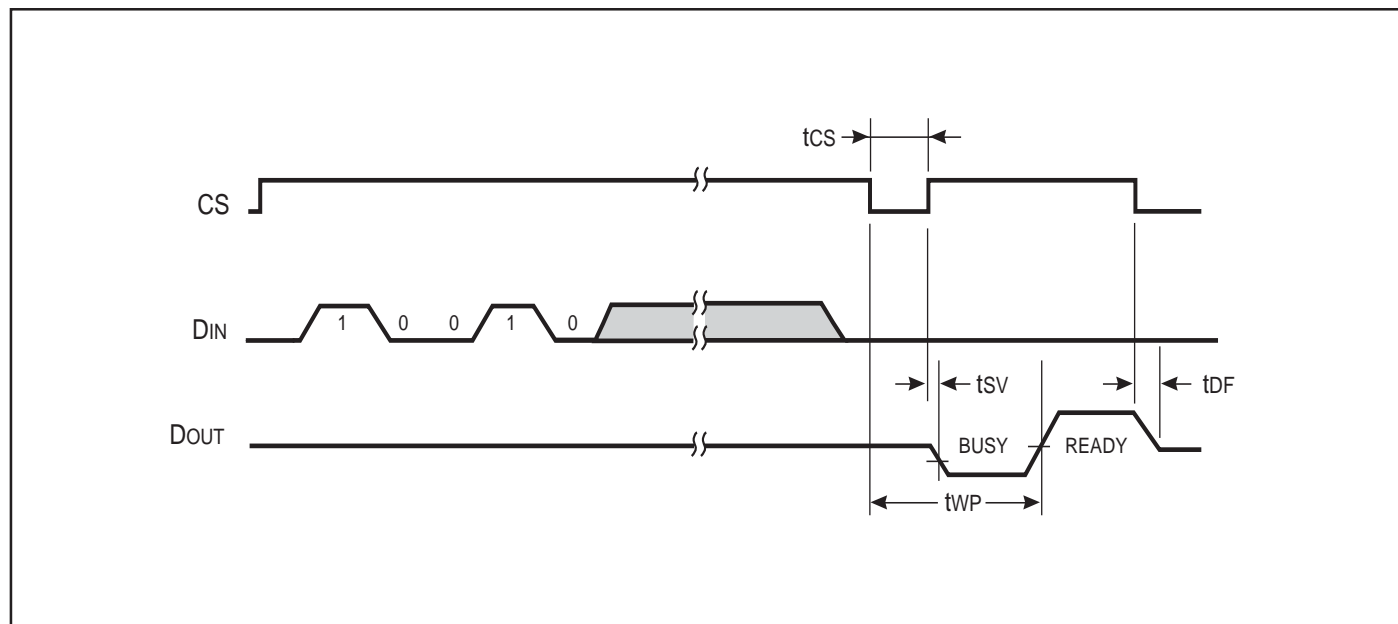
AC WAVEFORMS

FIGURE 8. ERASE (REGISTER ERASE) CYCLE TIMING

**Notes:**

To determine data bits An - A0, see Instruction Set for the appropriate device.

FIGURE 9. ERASE ALL (ERAL) CYCLE TIMING

**Note for Figures 8 and 9:**

After the completion of the instruction (Dout is in READY status) then it may perform another instruction. If device is in **BUSY** status (Dout indicates **BUSY** status) then attempting to perform another instruction could cause device malfunction.

www.DataSheet4U.com

IS93C76A

IS93C86A

ORDERING INFORMATION**Industrial Range: -40°C to +85°C**

Speed	Voltage Range	Order Part No.	Package
2Mhz *	2.5V to 5.5V	IS93C86A-3PI	300-mil Plastic DIP
		IS93C86A-3GRI	SOIC JEDEC
		IS93C86A-3ZI	169-mil TSSOP
1Mhz *	1.8V to 5.5V	IS93C76A-2PI	300-mil Plastic DIP
		IS93C76A-2GRI	SOIC JEDEC
		IS93C76A-2ZI	169-mil TSSOP
1Mhz *	1.8V to 5.5V	IS93C86A-2PI	300-mil Plastic DIP
		IS93C86A-2GRI	SOIC JEDEC
		IS93C86A-2ZI	169-mil TSSOP

* The specification allows higher speed. Please see AC Characteristics (2.5V-5.5V and 4.5V-5.5V).

Industrial Range: -40°C to +85°C, Lead-free

Speed	Voltage Range	Order Part No.	Package
2Mhz *	2.5V to 5.5V	IS93C86A-3PLI	300-mil Plastic DIP
		IS93C86A-3GRLI	SOIC JEDEC
		IS93C86A-3ZLI	169-mil TSSOP
1Mhz *	1.8V to 5.5V	IS93C76A-2PLI	300-mil Plastic DIP
		IS93C76A-2GRLI	SOIC JEDEC
		IS93C76A-2ZLI	169-mil TSSOP
1Mhz *	1.8V to 5.5V	IS93C86A-2PLI	300-mil Plastic DIP
		IS93C86A-2GRLI	SOIC JEDEC
		IS93C86A-2ZLI	169-mil TSSOP

* The specification allows higher speed. Please see AC Characteristics (2.5V-5.5V and 4.5V-5.5V).

Automotive Range: -40°C to +125°C, Lead-free

Speed	Voltage Range	Order Part No.	Package
2Mhz *	2.5V to 5.5V	IS93C76A-3PLA3	300-mil Plastic DIP
		IS93C76A-3GRLA3	SOIC JEDEC
		IS93C76A-3ZLA3	169-mil TSSOP
2 Mhz *	2.5V to 5.5V	IS93C86A-3PLA3	300-mil Plastic DIP
		IS93C86A-3GRLA3	SOIC JEDEC
		IS93C86A-3ZLA3	169-mil TSSOP

* The specification allows higher speed. Please see AC Characteristics (4.5V-5.5V).