

ISD ChipCorder® ISD1800 Series DataSheet

The information described in this document is the exclusive intellectual property of Nuvoton Technology Corporation and shall not be reproduced without permission from Nuvoton.

Nuvoton is providing this document only for reference purposes of Audio Product Line based system design. Nuvoton assumes no responsibility for errors or omissions.

All data and specifications are subject to change without notice.

For additional information or questions, please contact: Nuvoton Technology Corporation.

www.nuvoton.com

1. GENERAL DESCRIPTION 3

2. FEATURES..... 3

3. BLOCK DIAGRAM..... 4

4. PAD DESCRIPTION..... 5

5. FUNCTIONAL DESCRIPTION 7

 5.1. Detailed Description 7

 Speech/Sound Quality 7

 Duration 7

 Non-Volatile Storage 7

 Basic Operation..... 7

 Automatic Power-Down Mode..... 7

 5.2. Functional Description Example 8

 Record a message filling the memory 8

 Edge-activated playback 8

 Level-activated playback..... 8

 Level-activated playback (truncated)..... 8

 Record (interrupting playback) 8

 Record a message, partially filling the memory..... 8

 Playback a message that partially fills the memory..... 9

RECLED operation 9

 ROSC operation..... 9

6. TIMING DIAGRAMS 11

7. ABSOLUTE MAXIMUM RATINGS 14

 7.1. Operating Conditions 15

8. ELECTRICAL CHARACTERISTICS..... 16

 8.1. DC Parameters 16

 8.2. AC Parameters..... 17

9. TYPICAL APPLICATION CIRCUIT..... 18

 9.1. ISD1800 Bonding Physical Layout (Die) 19

10. ORDERING INFORMATION 20

13. REVISION HISTORY 21

IMPORTANT NOTICE 22

1. GENERAL DESCRIPTION

Nuvoton’s ISD1800 ChipCorder® provides high-quality, single chip, single-message, record/playback solution with user-selectable durations of 6 to 16 seconds. The CMOS devices include an on-chip oscillator (with external control), microphone preamplifier, automatic gain control, anti-aliasing filter, multilevel storage array, smoothing filter, and speaker amplifier. A minimum record/playback subsystem can be configured with a microphone, a speaker, several passive components, two push buttons, and a power source. Recordings are stored in on-chip nonvolatile memory cells, providing zero-power message storage. This unique, single-chip solution is made possible through Nuvoton’s patented multilevel storage technology. Voice and audio signals are stored directly into memory in their natural form, providing high-quality, solid-state voice reproduction.

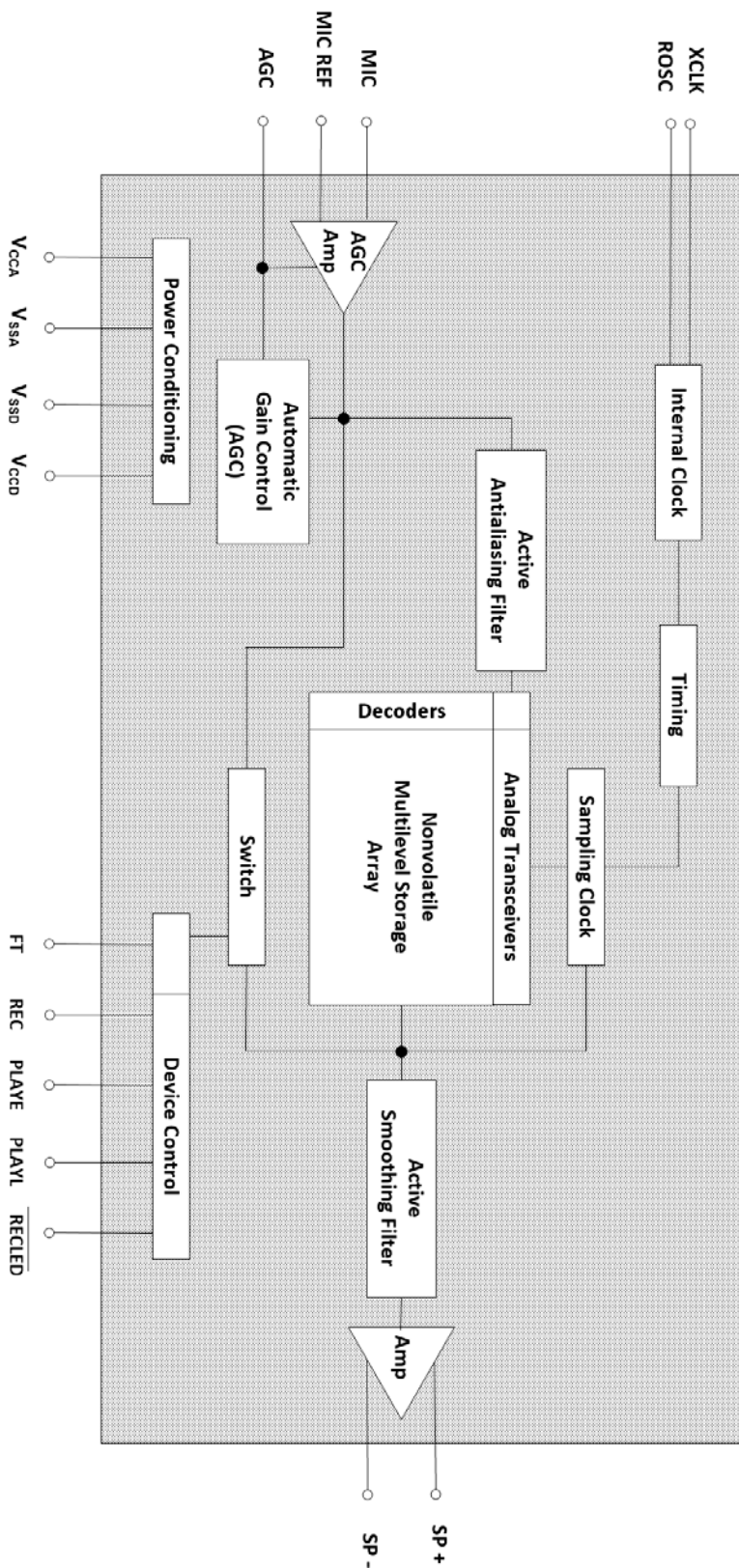
2. FEATURES

- Easy-to-use single-chip, single-message voice record/playback solution
- High-quality, natural voice/audio reproduction
- Push-button interface
 - Playback can be edge- or level-activated
- Variable record/playback duration controlled by external resistor selection, which sets sample rate.

Sample Rate \ Duration	8 KHz	6.4 KHz	5.3 KHz	4 HKz
I1806	6 secs	7.5 secs	9 secs	12 secs
I1810	8 secs	10 secs	12 secs	16 secs
ROSC	80 KΩ	100 KΩ	120 KΩ	160 KΩ

- Automatic power-down mode
 - Enters standby mode immediately following a record or playback cycle
 - 0.5 μA standby current (typical)
- On-chip 8Ω speaker driver
- Zero-power message storage
 - Eliminates battery backup circuits
- 100-year message retention (typical)
- 100,000 record cycles (typical)
- On-chip oscillator
- No algorithm development required
- Single +3 volt power supply
- Available in DIE form

3. BLOCK DIAGRAM



4. PAD DESCRIPTION

PAD NAME	I/O	FUNCTION
V _{SSD} , V _{SSA}		Ground Supplies: Similar to V _{CCA} and V _{CCD} , the analog and digital circuits internal to the I1800 device use separate ground buses to minimize noise. These pins should be tied together as close as possible to the device.
REC ¹	I	Record: The REC input is an active-HIGH record signal. The device records whenever REC is HIGH. This pin must remain HIGH for the duration of the recording. REC takes precedence over either playback (PLAYL or PLAYE) signal. If REC is pulled HIGH during a playback cycle, the playback immediately ceases and recording begins. A record cycle is completed when REC is pulled LOW. An End-of-Message (EOM) marker is internally recorded, enabling a subsequent playback cycle to terminate appropriately. The device automatically powers down to standby mode when REC goes LOW. This pin has an internal pull-down device. Holding this pin HIGH will increase standby current consumption.
PLAYE	I	Playback, Edge-activated: When a HIGH-going transition is detected on this input pin, a playback cycle begins. Playback continues until an End-of-Message (EOM) marker is encountered or the end of the memory space is reached. Upon completion of the playback cycle, the device automatically powers down into standby mode. Taking PLAYE LOW during a playback cycle will not terminate the current cycle. This pin has an internal pull-down device. Holding this pin HIGH will increase standby current consumption.
PLAYL	I	Playback, Level-activated: When this input pin level transits from LOW to HIGH, a playback cycle is initiated. Playback continues until PLAYL is pulled LOW or an End-of-Message (EOM) marker is detected, or the end of the memory space is reached. The device automatically powers down to standby mode upon completion of the playback cycle. This pin has an internal pull-down device. Holding this pin HIGH will increase standby current consumption.
NC		Not Connected.
MIC	I	Microphone Input: The microphone input transfers its signals to the on-chip preamplifier. An on-chip Automatic Gain Control (AGC) circuit controls the gain of the preamplifier. An external microphone should be AC coupled to this pin via a series capacitor. The capacitor value, together with an internal 10 KΩ resistance on this pin, determines the low-frequency cutoff for the I1800 passband.
MIC REF	I	Microphone Reference: The MIC REF input is the inverting input to the microphone preamplifier. This provides input noise-cancellation, or common-mode rejection, when the microphone is connected differentially to the device.
AGC	I	Automatic Gain Control: The AGC dynamically adjusts the gain of the preamplifier to compensate for the wide range of microphone input levels. The AGC allows the full range of sound, from whispers to loud sounds, to be recorded with minimal distortion. Nominal values of 4.7 μF give satisfactory results in most cases. Connecting this pin to ground (V _{SSA}) provides maximum gain to the preamplifier circuitry. Conversely, connecting this pin to the power supply (V _{CCA}) provides minimum gain to the preamplifier circuitry.

PAD NAME	I/O	FUNCTION
SP-/SP+	O	Speaker Outputs: The SP+ and SP- pins provide direct drive for loudspeakers with impedances as low as 8Ω. A single output may be used, but, for direct-drive loud-speakers, the two opposite-polarity outputs provide an improvement in output power of up to four times over a single-ended connection. Furthermore, when SP+ and SP- are used, a speaker coupling capacitor is not required. A single-ended connection will require an AC-coupling capacitor between the SP pin and the speaker. The SP+ pin and the SP- pin are internally connected through a 50 KΩ resistance. When not in playback mode, they are floating.
V _{CCA} , V _{CCD}		Voltage Supplies: Analog and digital circuits internal to the I1800 device use separate power buses to minimize noise on the chip.
ROSC	I	The Resistor Controlled Oscillator input: This enables the user to vary the I1800 device record and playback duration. The resistor connected between the ROSC pin and V _{SS} (R2) determines the sample frequency and the filter upper pass band for the I1800 device. Please refer to the table in Duration Section for duration selection.
FT	I	Feed Through: This mode allows use of the speaker drivers for external signals. The signal between the MIC and MIC_REF pins will pass through the AGC, the filter and the speaker drivers to the speaker outputs SP+ and SP-. The input FT controls the feed through mode. To operate this mode, the control pins REC, PLAYE and PLAYL are held LOW at V _{SS} . The pin FT is held HIGH to V _{CC} . For normal operation of record, play and power down, the FT pin is held at V _{SS} . The FT pin has a weak pull-down to V _{SS} .
XCLK		The External Clock input: For the I1800 devices has an internal pull-down resistor. This pin is used for test purposes only. Do not bond this pad.
$\overline{\text{RELED}}$	O	Record LED output: The $\overline{\text{RELED}}$ output is LOW during a record cycle. It can be used to drive an LED to provide feedback that a record cycle is in progress. In addition, $\overline{\text{RELED}}$ pulses LOW momentarily when and End-of-Message (EOM) or end-of-memory marker is encountered in a playback cycle.

Note: ¹ The REC signal is internally debounced on the rising edge to prevent a false re-triggering from a push-button switch.

5. FUNCTIONAL DESCRIPTION

5.1. DETAILED DESCRIPTION

Speech/Sound Quality

Nuvoton’s patented ChipCorder® technology provides natural record and playback. The input voice signals are stored directly in nonvolatile cells and are reproduced without the synthetic effect often heard with digital solid-state speech solutions. A complete sample is stored in a single cell, minimizing the memory necessary to store a single message.

Duration

The ISD1800 devices offer single-chip solutions with 6 to 16 seconds of record/playback duration capacity. Sampling rate and duration are determined by an external resistor connected to the ROSC pin. These specifications apply with the required resistor value for playback duration.

Sample Rate \ Duration	8 KHz	6.4 KHz	5.3 KHz	4 HKz
I1806	6 secs	7.5 secs	9 secs	12 secs
I1810	8 secs	10 secs	12 secs	16 secs
ROSC	80 KΩ	100 KΩ	120 KΩ	160 KΩ

Non-Volatile Storage

The ISD1800 product utilizes the on-chip Flash memory providing zero-power message storage. The message is retained for up to 100 years without power. In addition, the device can be re-recorded typically over 100,000 times.

Basic Operation

The ISD1800 ChipCorder® device is controlled by the REC pin, and either of two playback pins, PLAYE (edge-activated playback), and PLAYL (level-activated playback). The ISD1800 parts are configured for design simplicity in a single-message application. Device operation is explained in section 7.2, “Functional Description Example”.

Automatic Power-Down Mode

At the end of a playback or record cycle, the ISD1800 device automatically returns to a low-power standby mode, consuming typically 0.5µA, provided that Play REC, XCLK, and FT pins are LOW (see DC parameters, section 10). During a playback cycle, the device powers down automatically at the end of the message. During a record cycle, the device powers down immediately after REC is released LOW.

5.2. FUNCTIONAL DESCRIPTION EXAMPLE

The following example operating sequence demonstrates the functionality of the ISD1800 devices.

Record a message filling the memory

Pulling the REC pin HIGH initiates a record cycle from the beginning of the message space. The device will automatically power down after REC is release LOW. An EOM marker is written at the end of message. If REC is held HIGH, the recording continues until the message space has been filled. Once the message space is filled, recording ceases.

Edge-activated playback

Pulling the PLAYE pin HIGH initiates a playback cycle from the beginning of the message space. When the device reaches the EOM marker, it automatically powers down. If a recording has filled the message space, the entire message is played. A subsequent rising edge on PLAYE initiates a new play cycle from the beginning of the memory.

Level-activated playback

Pulling the PLAYL pin HIGH initiates a playback cycle from the beginning of the message space. When the device reaches the EOM marker, it automatically powers down. If a recording has filled the message space, the entire message is played. A subsequent rising edge on PLAYL initiates a new play cycle from the beginning of the memory.

Level-activated playback (truncated)

If PLAYL is pulled LOW any time during the playback cycle, the device stops playing and enters the power-down mode. A subsequent rising edge on PLAYL initiates a new play cycle from the beginning of the memory.

Record (interrupting playback)

The REC pin takes precedence over other operations. Any HIGH-going transition on REC initiates a new record operation from the beginning of the memory, regardless of any current operation in progress.

Record a message, partially filling the memory

A record operation need not fill the entire memory. Releasing the REC pin LOW before filling the message space causes the recording to stop and an EOM marker to be placed. The device powers down automatically.

Playback a message that partially fills the memory

Pulling the PLAYE or PLAYL pin HIGH initiates a playback cycle. The playback cycle ceases when the EOM marker is encountered and the device then powers down.

RECLED operation

The RECLED output pin provides an active-LOW signal, which can be used to drive an LED as a “record-in-progress” indicator. It returns to a HIGH state when the REC pin is released LOW or when the recording is completed due to the memory being filled. This pin also pulses LOW to indicate the end of a message has been reached.

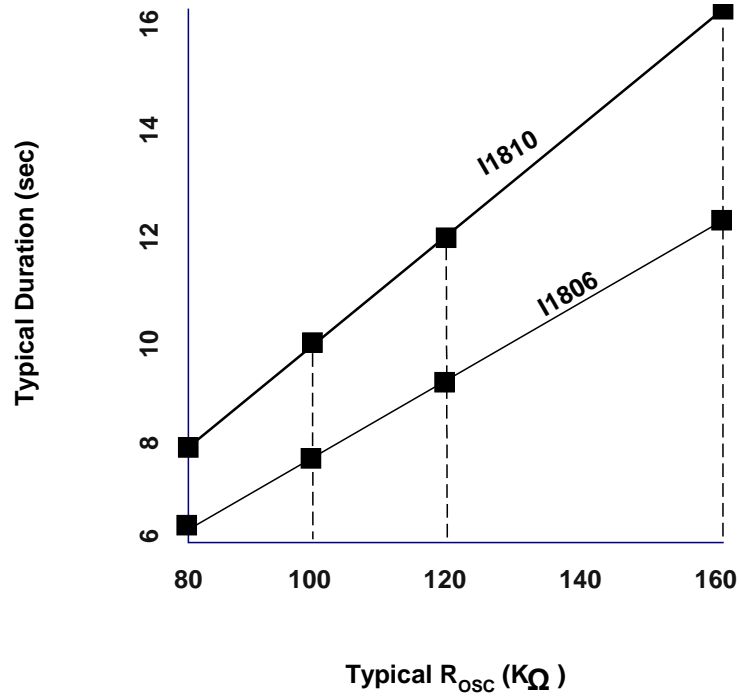
ROSC operation

The duration of the device can be varied by changing the value of R2 (R_{osc}). This means the ISD1800 device can actually be between 6 to 16 seconds duration. See the curve below, which charts typical durations when the R_{osc} is varied from 80 K Ω to 160 K Ω .

This feature allows frequency shifting where a recorded voice or sound can be played back faster or slower than normal for special effects. For example, use a 100 K Ω resistor to make the recording and then playback with either an 80 K Ω resistor for faster “chipmunk” talk or with a 120 K Ω resistor for a slower, lower voice.

Another feature is a “Pause” or interrupt function that can be done by taking the R_{osc} resistor to V_{cc} to stop playback momentarily, resuming when the resistor is connected back to ground.

Chart 1: ISD Duration Versus R_{osc} at T_A = 25°C and V_{CC} = 3.0V



6. TIMING DIAGRAMS

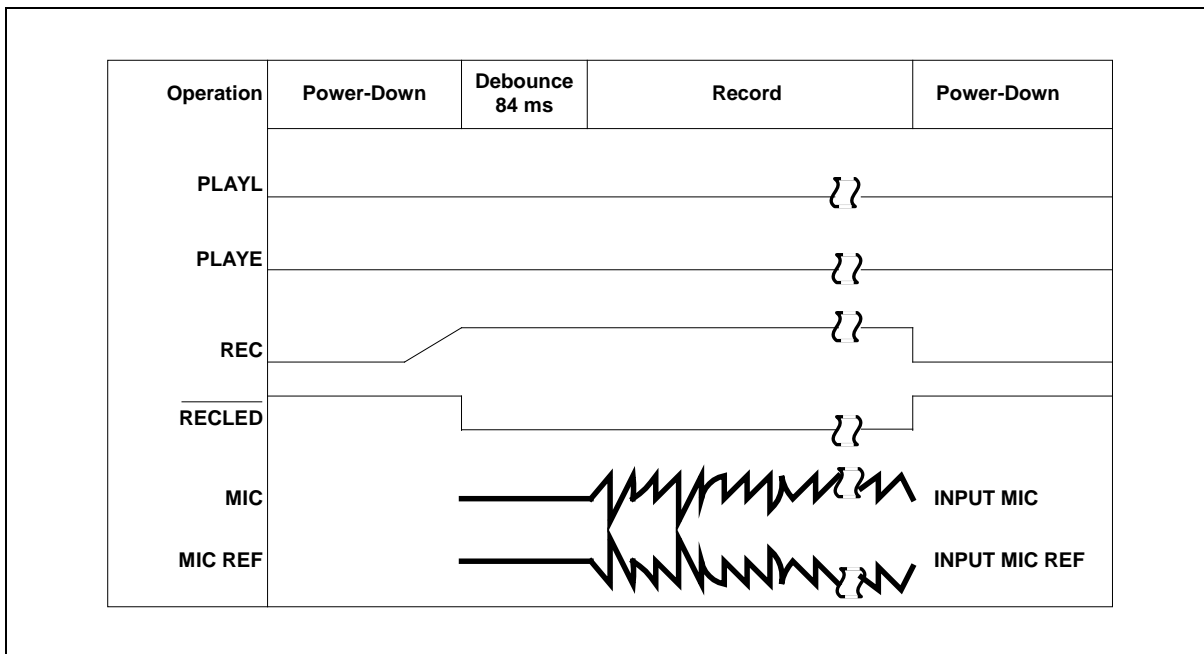


FIGURE 1: RECORD MESSAGE UNTIL RECORD GOES LOW

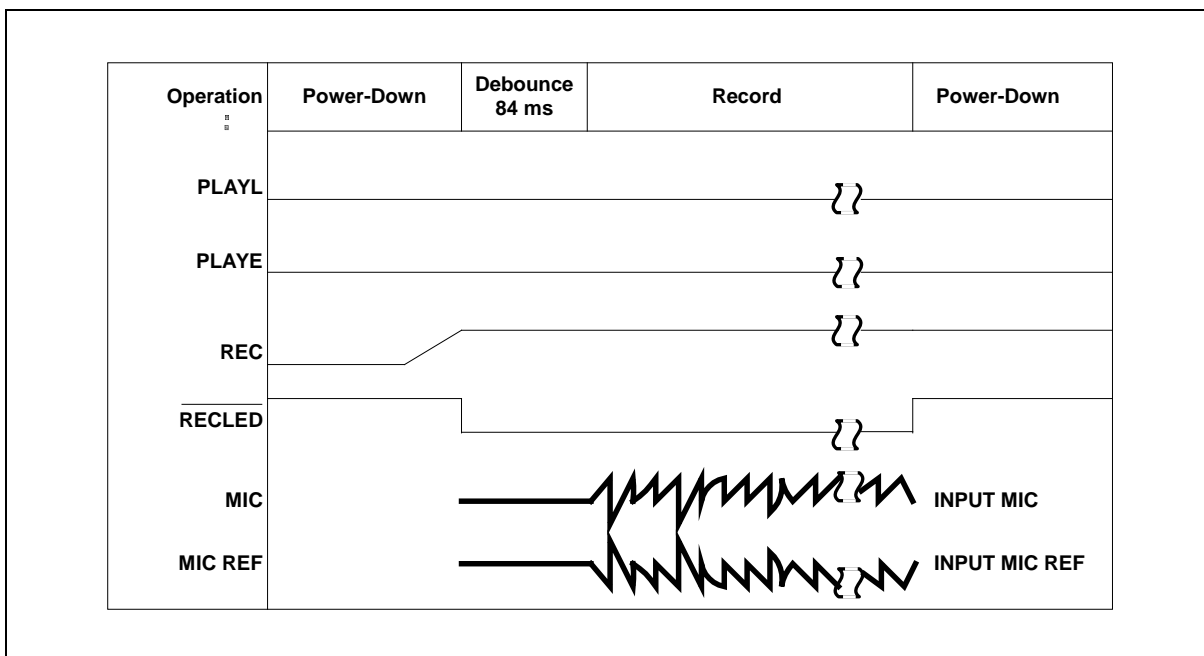


FIGURE 2: RECORD MESSAGE UNTIL ARRAY IS FULL

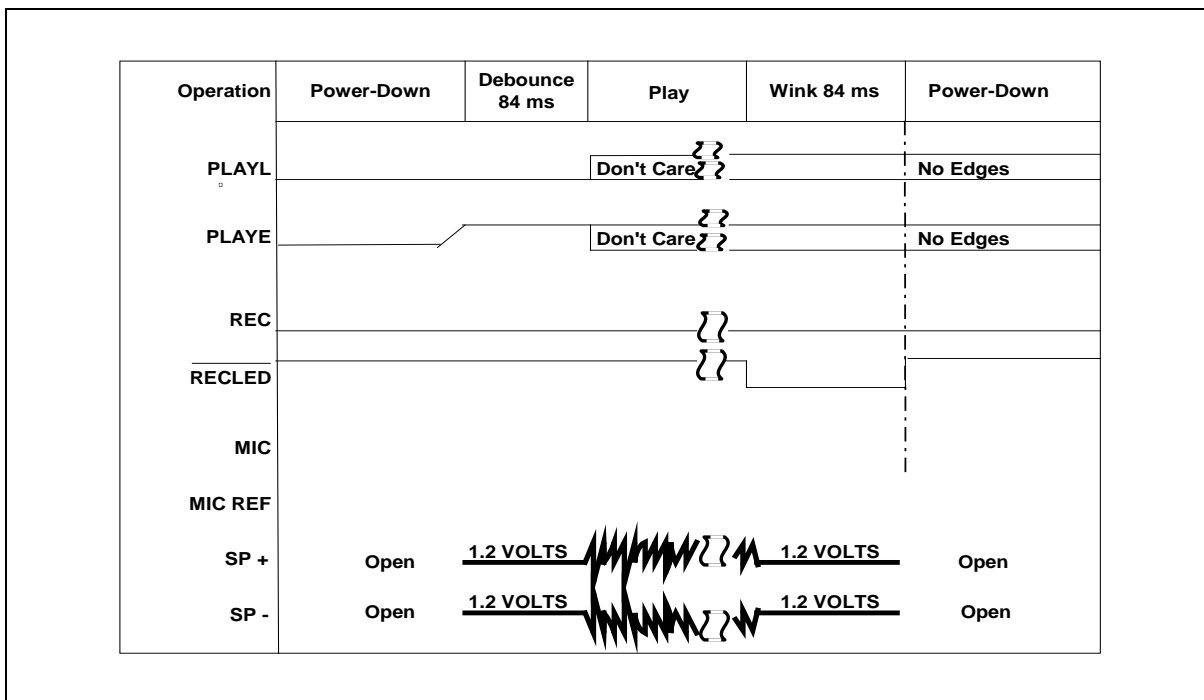


FIGURE 3: PLAY EDGE (PLAYE) PLAY UNTIL END OF MESSAGE

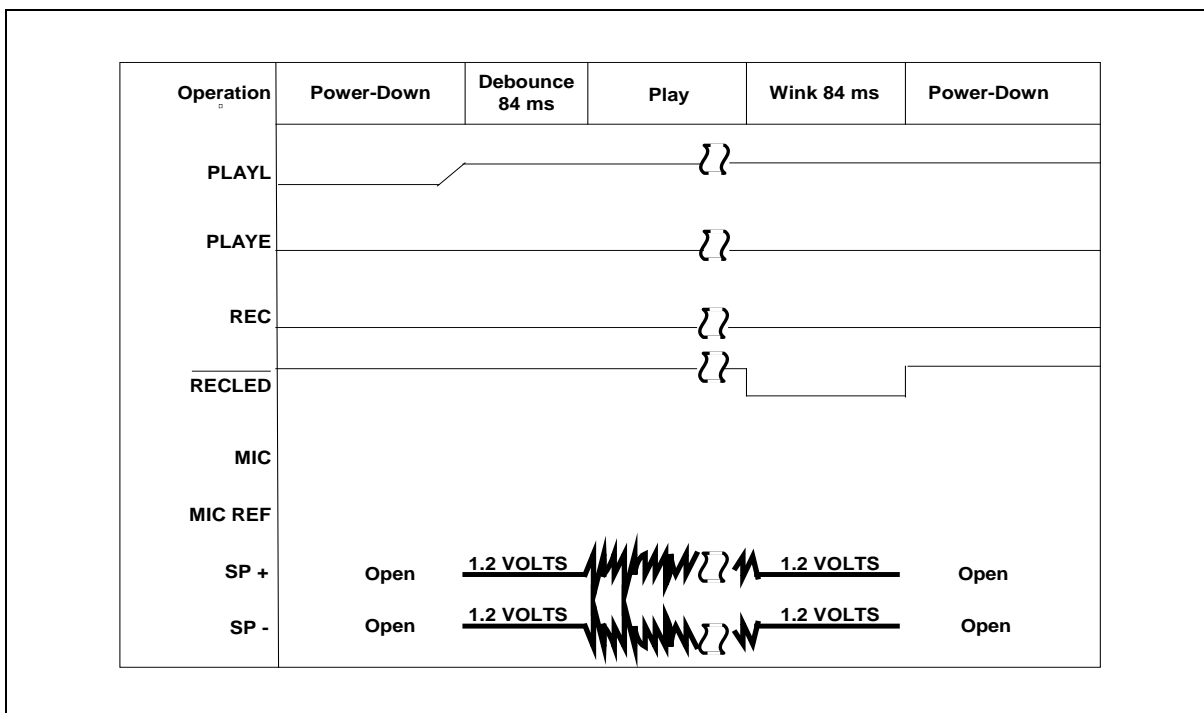


FIGURE 4: PLAY LEVEL (PLAYL) PLAY UNTIL END OF MESSAGE

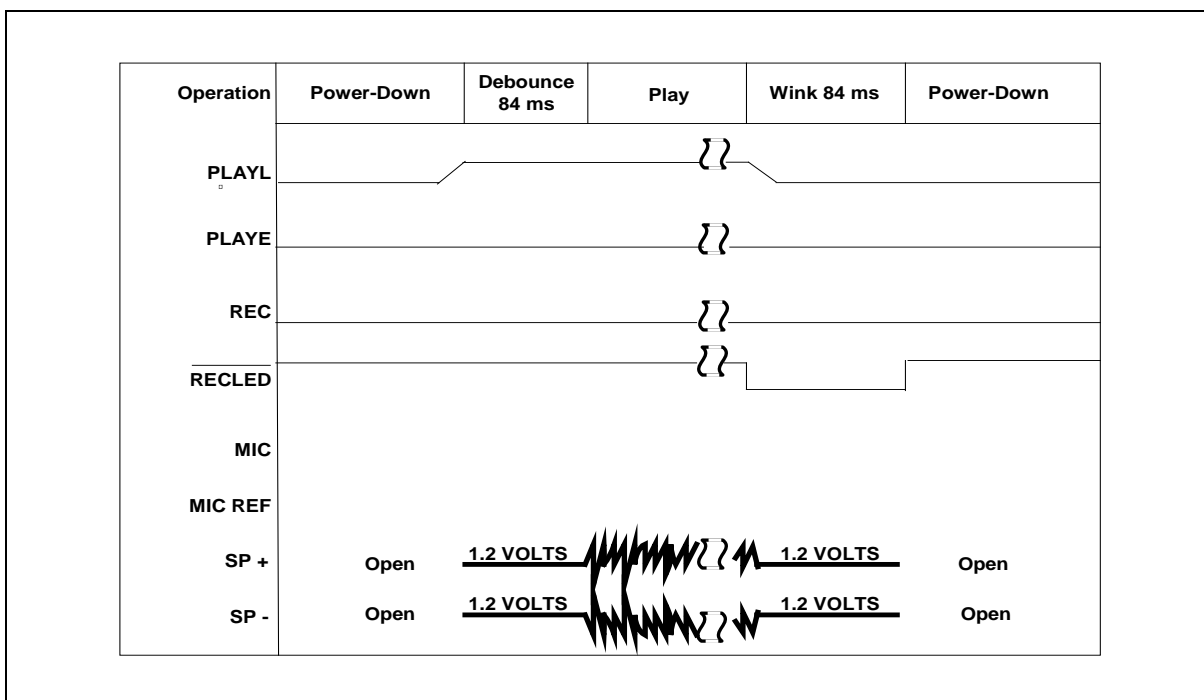


FIGURE 5: PLAY UNTIL PLAY LEVEL (PLAYL) FALLS

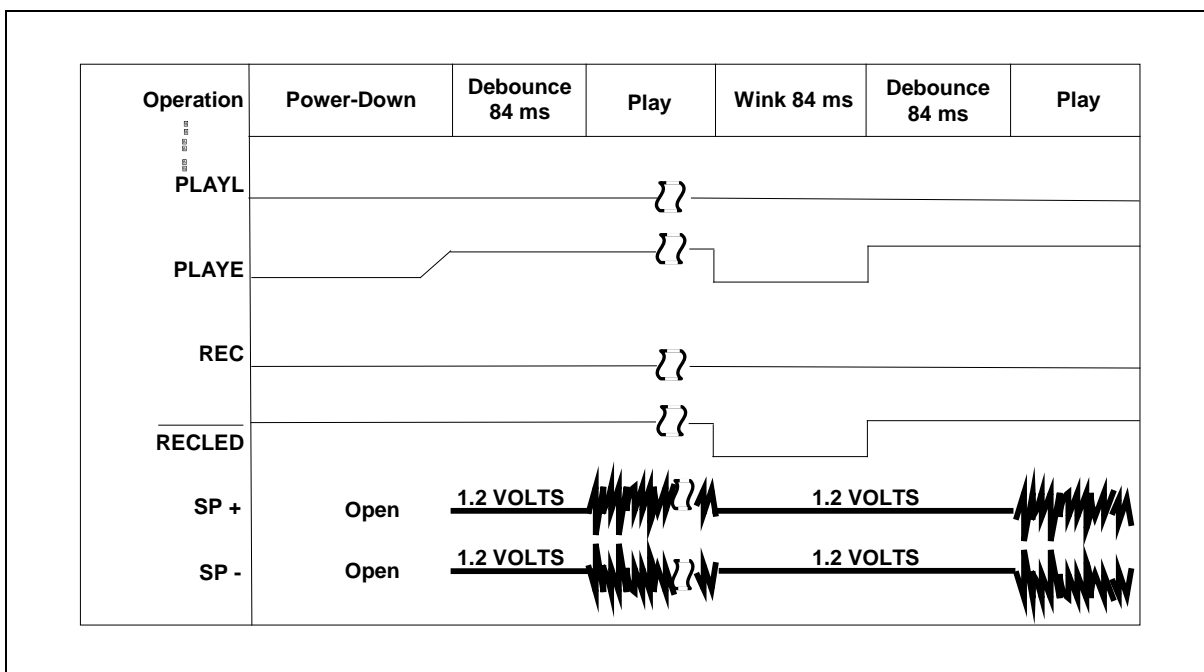


FIGURE 6: LOOPING PLAY, PLAYE TO RECLEd

Note: Looping playback operation can be performed by connecting the RECLEd pin to PLAYE pin.

7. ABSOLUTE MAXIMUM RATINGS

ABSOLUTE MAXIMUM RATINGS (DIE)

CONDITION	VALUE
Junction temperature	150°C
Storage temperature range	-65°C to +150°C
Voltage applied to any pin	(V _{SS} -0.3V) to (V _{CC} +0.3V)
V _{CC} - V _{SS}	-0.3V to +7.0V

^[1] Stresses above those listed may cause permanent damage to the device. Exposure to the absolute maximum ratings may affect device reliability and performance. Functional operation is not implied at these conditions.

7.1. OPERATING CONDITIONS

OPERATING CONDITIONS (DIE)

CONDITION	VALUE
Operating temperature range	0°C to +50°C
Play voltage (V _{CC}) ^[1]	+2.7V to +4.5V
Ground voltage (V _{SS}) ^[2]	0V
Record Supply voltage (V _{CC}) ^[1]	+2.7V to 4.5V

^[1] V_{CC} = V_{CCA} = V_{CCD}

^[2] V_{SS} = V_{SSA} = V_{SSD}

8. ELECTRICAL CHARACTERISTICS

8.1. DC PARAMETERS

PARAMETER	SYMBOL	MIN ^[2]	TYP ^[1] ₁	MAX ^[2] ₂	UNIT S	CONDITION S
Input Low Voltage	V _{IL}			0.8	V	
Input High Voltage	V _{IH}	2.0			V	
Output Low Voltage	V _{OL}			0.4	V	I _{OL} = 4.0 mA ^[3]
Output High Voltage	V _{OH}	2.4			V	I _{OH} = -1.6 mA ^[3]
V _{CC} Current (Operating)	I _{CC}			30	mA	V _{CC} = 4.5V
V _{CC} Current (Standby)	I _{SB}		0.5	10	μA	^[4] ^[5]
Input Leakage Current	I _{ILPD1}			±1	μA	Force V _{SS} ^[6]
Input Current HIGH	I _{ILPD2}	30	150	400	μA	Force V _{CC} ^[7]
Input Current HIGH	I _{ILPD3}	3		130	μA	Force V _{CC} ^[8]
Output Load Impedance	R _{EXT}	8			Ω	Speaker Load, SP+ to SP-
Preamp Input Resistance	R _{MIC} , R _{MICREF}		10		KΩ	
MIC SP+/- Gain	A _{MSP}		40		dB	AGC = 0.0V

Notes:

^[1] Typical values @ T_A = 25° and V_{CC} = 3.0V.

^[2] All Min/Max limits are guaranteed by Nuvoton via electrical testing or characterization. Not all specifications are 100 percent tested.

^[3] Record LED output, RECLEDD.

^[4] V_{CCA} and V_{CCD} connected together.

^[5] REC, PLAYL, PLAYE, XCLK, and FT must be at V_{SSD}.

^[6] REC, PLAYL and PLAYE.

^[7] REC, PLAYL and PLAYE.

^[8] Test limits of Final Test.

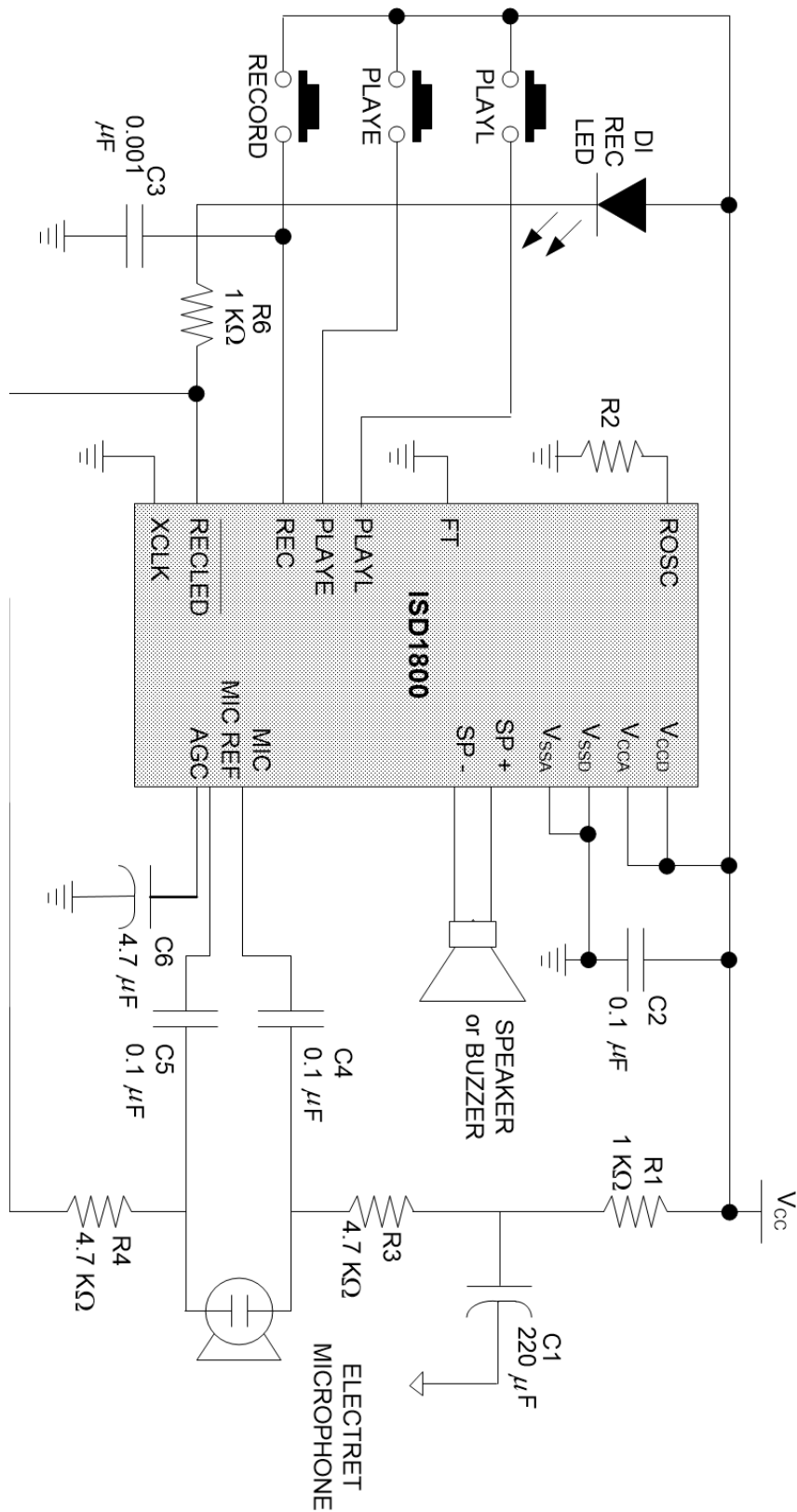
8.2. AC PARAMETERS

CHARACTERISTIC	SYMBOL		MIN ^[3]	TYP ^[2]	MAX ^[3] ₁	UNITS	CONDITIONS
Sampling Frequency	F _S			8		KHz	[4]
Filter Pass Band	F _{CF}	ISD1806		2.2		KHz	3 dB Roll-Off Point R _{OSC} = 100 KΩ [5][6]
		ISD1810		2.2			
Record Duration	T _{REC}	ISD1806		7.5		sec	R _{OSC} = 100KΩ ^[4]
		ISD1810		10			
Playback Duration	T _{PLAY}	ISD1806		7.5		sec	R _{OSC} = 100KΩ ^[4]
		ISD1810		10			
EOM Pulse Width	T _{EOM}			84		msec	
Debounce Time	T _{DB}			84		msec	
Total Harmonic Distortion	THD			1		%	@ 1KHz, V _{IN} =15mV pk-to-pk
Speaker Output Power	P _{OUT}			24.4		mW	R _{EXT} = 8Ω
Voltage Across Speaker Pins	V _{OUT}			1.25	2.5	Vp-p	R _{EXT} = 600Ω
MIC Input Voltage				15	300	mV	Peak-to-Peak ^[7]

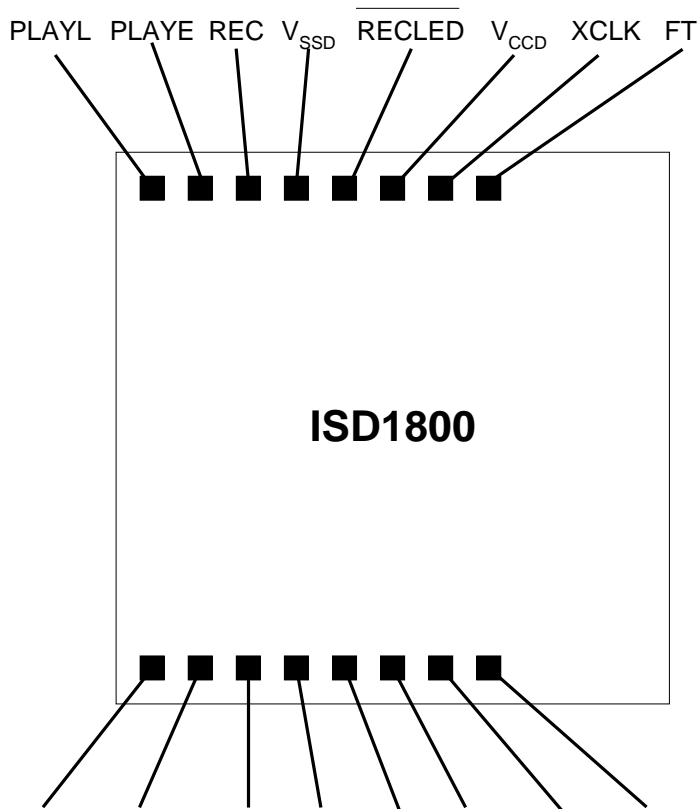
Notes:

- [1] These specifications apply with R_{OSC} = 100KΩ, unless stated.
- [2] Typical values @ T_A = 25° and V_{CC} = 3.0V.
- [3] All Min/Max limits are guaranteed by Nuvoton via electrical testing or characterization. Not all specifications are 100 percent tested.
- [4] Oscillator stability may vary as much as ±5% over the operating temperature and voltage ranges. (Only the 7.5 sec duration of I1806 and 10 sec duration of I1810 are tested/guaranteed)
- [5] Low-frequency cutoff depends upon value of external capacitors (see Pin Descriptions)
- [6] Filter specification applies to the anti-aliasing filter and to the smoothing filter.
- [7] Balanced input signal applied between MIC and MIC REF as shown in the applications example. Single-ended MIC or MIC REF recommended to be less than 100 mV peak to peak.

9. TYPICAL APPLICATION CIRCUIT



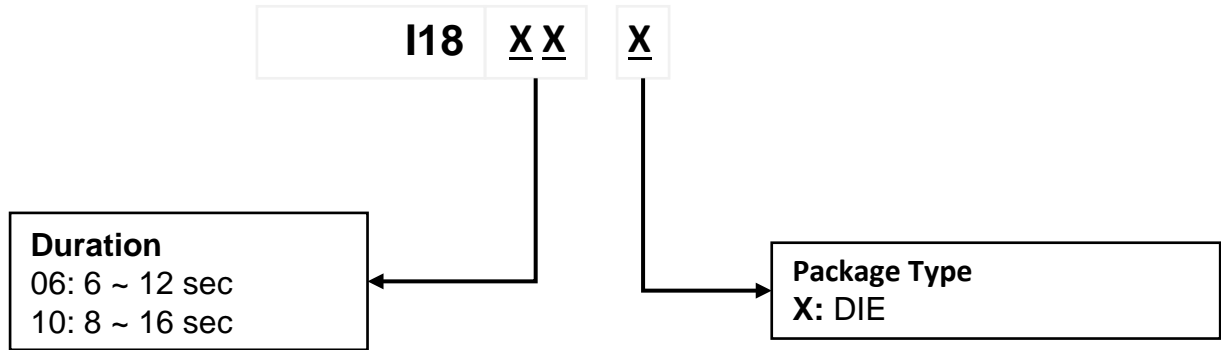
9.1. ISD1800 BONDING PHYSICAL LAYOUT (DIE)



Notes:

1. The backside of die is internally bonded to V_{SS}. **V_{SSA} MUST NOT** be connected to any other potential or damage may occur.
2. Die thickness is subject to change, please contact Nuvoton factory for status and availability.

10. ORDERING INFORMATION



Package Number	Part Number	Ordering Number	Duration	Package	Temperature	Notes
ISD1806X	ISD1806X	I1806X	6 ~ 12 sec	DIE	0°C ~ 50°C	
ISD1810X	ISD1810X	I1810X	8 ~ 16 sec	DIE	0°C ~ 50°C	

13. REVISION HISTORY

REVISION	DATE	DESCRIPTION
1.0	Apr 2, 2020	Update Document Format
1.1	Apr 29, 2020	Remove Package Informaiton
1.2	Jun 28, 2021	Update Ordering Information
1.3	Feb 1, 2023	Update format

IMPORTANT NOTICE

Nuvoton Products are neither intended nor warranted for usage in systems or equipment, any malfunction or failure of which may cause loss of human life, bodily injury or severe property damage. Such applications are deemed, "Insecure Usage".

Insecure usage includes, but is not limited to: equipment for surgical implementation, atomic energy control instruments, airplane or spaceship instruments, the control or operation of dynamic, brake or safety systems designed for vehicular use, traffic signal instruments, all types of safety devices, and other applications intended to support or sustain life.

All Insecure Usage shall be made at customer's risk, and in the event that third parties lay claims to Nuvoton as a result of customer's Insecure Usage, customer shall indemnify the damages and liabilities thus incurred by Nuvoton.

*Please note that all data and specifications are subject to change without notice.
All the trademarks of products and companies mentioned in this datasheet belong to their respective owners.*