

# ISD18C00 SERIES

**SINGLE-CHIP, SINGLE-MESSAGE  
VOICE RECORD/PLAYBACK DEVICE  
6- TO 16-SECOND DURATION**

# ADVANCED INFORMATION ISD18C00 SERIES

**nuvoTon**

---

1. GENERAL DESCRIPTION .....	3
2. FEATURES .....	3
3. BLOCK DIAGRAM .....	4
4. PIN CONFIGURATION .....	5
5. PIN DESCRIPTION .....	6
6. FUNCTIONAL DESCRIPTION .....	9
6.1. Detailed Description .....	9
6.2. Functional Description Example .....	10
7. TIMING DIAGRAMS .....	12
8. ABSOLUTE MAXIMUM RATINGS <sup>[1]</sup> .....	15
8.1. Operating Conditions .....	16
9. ELECTRICAL CHARACTERISTICS .....	17
9.1. DC Parameters .....	17
9.2. AC Parameters <sup>[1]</sup> .....	18
10. TYPICAL APPLICATION CIRCUIT .....	19
10.1. ISD18C00 Bonding Physical Layout (Die) .....	20
11. ORDERING INFORMATION .....	21
14. VERSION HISTORY .....	22

*Date: February 24, 2009  
Revision 0.4*

# ADVANCED INFORMATION ISD18C00 SERIES



## 1. GENERAL DESCRIPTION

Nuvoton's ISD18C00 ChipCorder<sup>®</sup> provides high-quality, single chip, single-message, record/playback solution with user-selectable durations of 6 to 16 seconds. The CMOS devices include an on-chip oscillator (with external control), microphone preamplifier ( uses shared speaker as microphone), automatic gain control, anti-aliasing filter, multilevel storage array, smoothing filter, and speaker amplifier. A minimum record/playback subsystem can be configured with a speaker, several passive components, two push buttons, and a power source. Recordings are stored in on-chip nonvolatile memory cells, providing zero-power message storage. This unique, single-chip solution is made possible through Nuvoton's patented multilevel storage technology. Voice and audio signals are stored directly into memory in their natural form, providing high-quality, solid-state voice reproduction.

## 2. FEATURES

- Speaker is used as Microphone
- Easy-to-use single-chip, single-message voice record/playback solution
- High-quality, natural voice/audio reproduction
- Push-button interface
- Playback can be edge- or level-activated
- Variable record/playback duration controlled by external resistor selection, which sets sample rate.

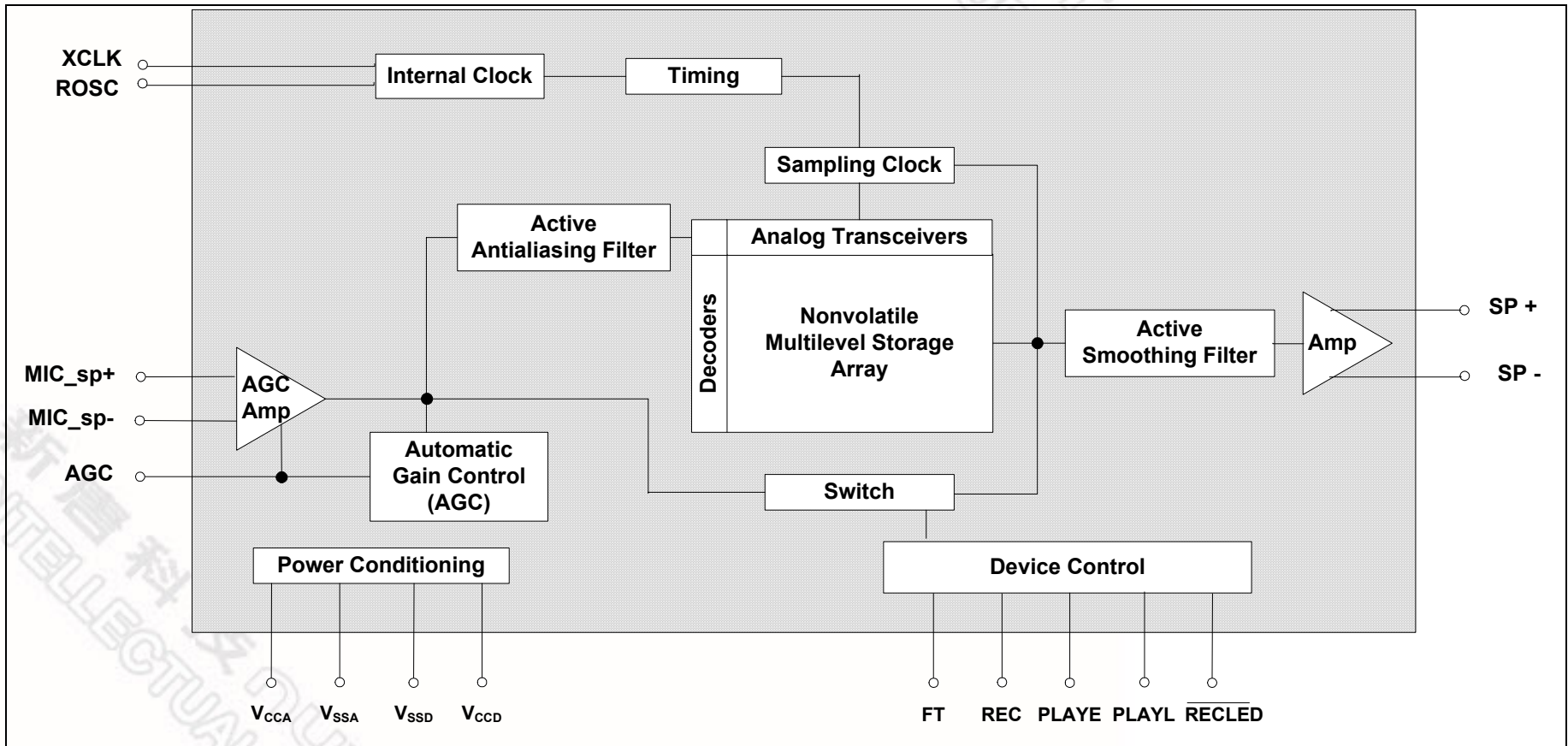
Sample Rate \ Duration	8 KHz	6.4 KHz	5.3 KHz	4 HKz
I18C06	6 secs	7.5 secs	9 secs	12 secs
I18C10	8 secs	10 secs	12 secs	16 secs
ROSC	80 K $\Omega$	100 K $\Omega$	120 K $\Omega$	160 K $\Omega$

- Automatic power-down mode
- Enters standby mode immediately following a record or playback cycle
- 0.5  $\mu$ A standby current (typical)
- On-chip 8 $\Omega$  speaker driver
- Zero-power message storage
  - Eliminates battery backup circuits
- 100-year message retention (typical)
- 100,000 record cycles (typical)
- On-chip oscillator
- No algorithm development required
- Single +3 volt power supply
- Available in die form

# ADVANCED INFORMATION ISD18C00 SERIES



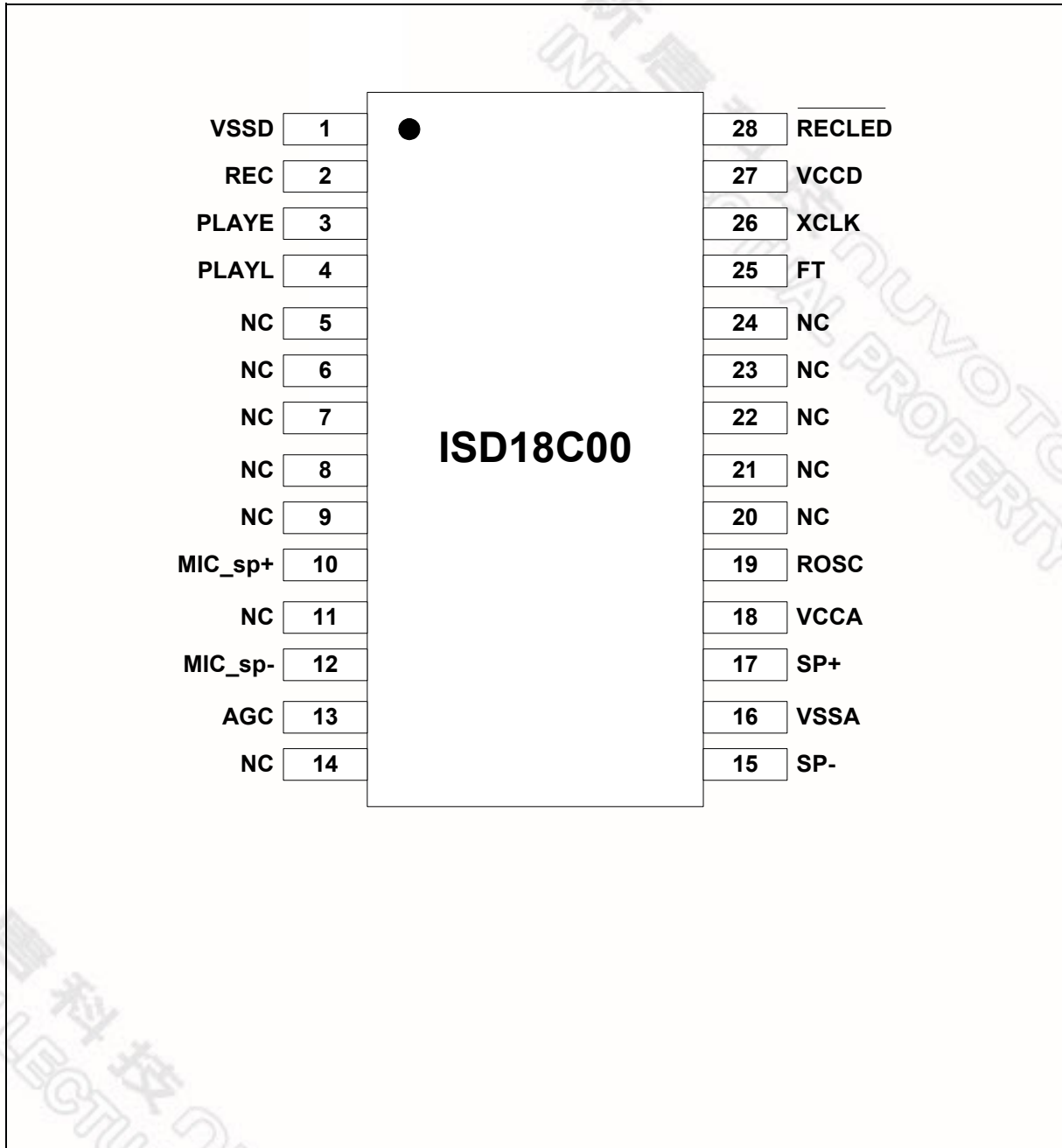
## 3. BLOCK DIAGRAM



# ADVANCED INFORMATION ISD18C00 SERIES

**nuvoTon**

## 4. PIN CONFIGURATION



# ADVANCED INFORMATION ISD18C00 SERIES



## 5. PIN DESCRIPTION

PIN NAME	PIN NO.	I/O	FUNCTION
V <sub>SSD</sub> , V <sub>SSA</sub>	1, 16		<b>Ground Supplies:</b> Similar to V <sub>CCA</sub> and V <sub>CDD</sub> , the analog and digital circuits internal to the I18C00 device use separate ground buses to minimize noise. These pins should be tied together as close as possible to the device.
REC <sup>1</sup>	2	I	<b>Record:</b> The REC input is an active-HIGH record signal. The device records whenever REC is HIGH. This pin must remain HIGH for the duration of the recording. REC takes precedence over either playback (PLAYL or PLAYE) signal. If REC is pulled HIGH during a playback cycle, the playback immediately ceases and recording begins. A record cycle is completed when REC is pulled LOW. An End-of-Message (EOM) marker is internally recorded, enabling a subsequent playback cycle to terminate appropriately. The device automatically powers down to standby mode when REC goes LOW. This pin has an internal pull-down device. Holding this pin HIGH will increase standby current consumption.
PLAYE	3	I	<b>Playback, Edge-activated:</b> When a HIGH-going transition is detected on this input pin, a playback cycle begins. Playback continues until an End-of-Message (EOM) marker is encountered or the end of the memory space is reached. Upon completion of the playback cycle, the device automatically powers down into standby mode. Taking PLAYE LOW during a playback cycle will not terminate the current cycle. This pin has an internal pull-down device. Holding this pin HIGH will increase standby current consumption.
PLAYL	4	I	<b>Playback, Level-activated:</b> When this input pin level transits from LOW to HIGH, a playback cycle is initiated. Playback continues until PLAYL is pulled LOW or an End-of-Message (EOM) marker is detected, or the end of the memory space is reached. The device automatically powers down to standby mode upon completion of the playback cycle. This pin has an internal pull-down device. Holding this pin HIGH will increase standby current consumption.
NC	5, 6, 7, 8, 9, 11, 14, 20, 21, 22, 23, 24		Not Connected.

# ADVANCED INFORMATION ISD18C00 SERIES

**nuvoTon**

PIN NAME	PIN NO.	I/O	FUNCTION
MIC_sp+	10	I	<b>Microphone Speaker Input:</b> The MIC_sp+ input transfers its signals to the on-chip preamplifier. An on-chip Automatic Gain Control (AGC) circuit controls the gain of the preamplifier. An external speaker should be AC coupled to this pin via a 4.7 $\mu$ F series capacitor.
MIC_sp-	12	I	<b>Microphone Speaker Input:</b> The MIC_sp- input is the inverting input to the microphone speaker preamplifier. This provides input noise-cancellation, or common-mode rejection, when the speaker is connected differentially to the device.
AGC	13	I	<b>Automatic Gain Control:</b> The AGC dynamically adjusts the gain of the preamplifier to compensate for the wide range of microphone input levels. The AGC allows the full range of sound, from whispers to loud sounds, to be recorded with minimal distortion. Nominal values of 1 $\mu$ F to 2.2 $\mu$ F give satisfactory results in most cases.  Connecting this pin to ground ( $V_{SSA}$ ) provides maximum gain to the preamplifier circuitry. Conversely, connecting this pin to the power supply ( $V_{CCA}$ ) provides minimum gain to the preamplifier circuitry.
SP-/SP+	15, 17	O	<b>Speaker Outputs:</b> The SP+ and SP- pins provide direct drive for loudspeakers with impedances as low as 8 $\Omega$ . A single output is not recommended when SP+/SP- are used as MIC inputs. The two opposite-polarity outputs provide an improvement in output power of up to four times over a single-ended connection. Furthermore, when SP+ and SP- are connected to MIC_SP+ and MIC_SP-, an AC-Coupling Capacitor is required between SP+ and MIC_sp+.  The SP+ pin and the SP- pin are internally connected through a 50 K $\Omega$ resistance. When not in playback mode, they are floating.
$V_{CCA}$ , $V_{CCD}$	18, 27		<b>Voltage Supplies:</b> Analog and digital circuits internal to the I18C00 device use separate power buses to minimize noise on the chip. These power buses are brought out to separate pins and should be tied together as close to the power supply as possible. It is important that the power supply be decoupled as close as possible to the package.

Date: February 24, 2009

Revision 0.4



# ADVANCED INFORMATION ISD18C00 SERIES



PIN NAME	PIN NO.	I/O	FUNCTION
ROSC	19	I	<b>The Resistor Controlled Oscillator input:</b> This enables the user to vary the I18C00 device record and playback duration. The resistor connected between the ROSC pin and $V_{SS}$ (R1) determines the sample frequency and the filter upper pass band for the I18C00 device. Please refer to the table in Duration Section for duration selection.
FT	25	I	<b>Feed Through:</b> This mode allows use of the speaker drivers for external signals. The signal between the MIC_SP+ and MIC_SP- pins will pass through the AGC, the filter and the speaker drivers to the speaker outputs SP+ and SP-. The input FT controls the feed through mode. To operate this mode, the control pins REC, PLAYE and PLAYL are held LOW at $V_{SSD}$ . The pin FT is held HIGH to $V_{CCD}$ . For normal operation of record, play and power down, the FT pin is held at $V_{SSD}$ . The FT pin has a weak pull-down to $V_{SSD}$ . In applications where speaker is used as microphone, it is recommended to tie this pin to $V_{SSD}$ .
XCLK	26		<b>The External Clock input:</b> The I18C10 pad has an internal pull-down resistor. This pin is used for test purposes only. Do not bond this pad.
$\overline{\text{RELED}}$	28	O	<b>Record LED output:</b> The $\overline{\text{RELED}}$ output is LOW during a record cycle. It can be used to drive an LED to provide feedback that a record cycle is in progress. In addition, $\overline{\text{RELED}}$ pulses LOW momentarily when and End-of-Message (EOM) or end-of-memory marker is encountered in a playback cycle.

Note: <sup>1</sup> The REC signal is internally de-bounced on the rising edge to prevent a false re-triggering from a push-button switch.



# ADVANCED INFORMATION ISD18C00 SERIES



## 6. FUNCTIONAL DESCRIPTION

### 6.1. DETAILED DESCRIPTION

#### Speech/Sound Quality

Nuvoton's patented ChipCorder® technology provides natural record and playback. The input voice signals are stored directly in nonvolatile cells and are reproduced without the synthetic effect often heard with digital solid-state speech solutions. A complete sample is stored in a single cell, minimizing the memory necessary to store a single message.

#### Duration

The ISD18C00 devices offer single-chip solutions with 6 to 16 seconds of record/playback duration capacity. Sampling rate and duration are determined by an external resistor connected to the RO SC pin. These specifications apply with the required resistor value for playback duration.

Sample Rate \ Duration	8 KHz	6.4 KHz	5.3 KHz	4 HKz
I18C06	6 secs	7.5 secs	9 secs	12 secs
I18C10	8 secs	10 secs	12 secs	16 secs
RO SC	80 KΩ	100 KΩ	120 KΩ	160 KΩ

#### Non-Volatile Storage

The ISD18C00 product utilizes the on-chip Flash memory providing zero-power message storage. The message is retained for up to 100 years without power. In addition, the device can be re-recorded typically over 100,000 times.

#### Basic Operation

The ISD18C00 ChipCorder® device is controlled by the REC pin, and either of two playback pins, PLAYE (edge-activated playback), and PLAYL (level-activated playback). The ISD18C00 parts are configured for design simplicity in a single-message application. Device operation is explained in section 7.2, "Functional Description Example".

#### Automatic Power-Down Mode

At the end of a playback or record cycle, the ISD18C00 device automatically returns to a low-power standby mode, consuming typically 0.5μA, provided that Play REC, XCLK, and FT pins are LOW (see DC parameters, section 10). During a playback cycle, the device powers down automatically at the end of the message. During a record cycle, the device powers down immediately after REC is released LOW.

# ADVANCED INFORMATION ISD18C00 SERIES

nuvoTon

## 6.2. FUNCTIONAL DESCRIPTION EXAMPLE

The following example operating sequence demonstrates the functionality of the ISD18C00 devices.

### 1. Record a message filling the memory

Pulling the REC pin HIGH initiates a record cycle from the beginning of the message space. The device will automatically power down after REC is released LOW. An EOM marker is written at the end of message. If REC is held HIGH, the recording continues until the message space has been filled. Once the message space is filled, recording ceases.

### 2. Edge-activated playback

Pulling the PLAYE pin HIGH initiates a playback cycle from the beginning of the message space. When the device reaches the EOM marker, it automatically powers down. If a recording has filled the message space, the entire message is played. A subsequent rising edge on PLAYE initiates a new play cycle from the beginning of the memory.

### 3. Level-activated playback

Pulling the PLAYL pin HIGH initiates a playback cycle from the beginning of the message space. When the device reaches the EOM marker, it automatically powers down. If a recording has filled the message space, the entire message is played. A subsequent rising edge on PLAYL initiates a new play cycle from the beginning of the memory.

### 4. Level-activated playback (truncated)

If PLAYL is pulled LOW any time during the playback cycle, the device stops playing and enters the power-down mode. A subsequent rising edge on PLAYL initiates a new play cycle from the beginning of the memory.

### 5. Record (interrupting playback)

The REC pin takes precedence over other operations. Any HIGH-going transition on REC initiates a new record operation from the beginning of the memory, regardless of any current operation. ~~in progress.~~

### 6. Record a message, partially filling the memory

A record operation need not fill the entire memory. Releasing the REC pin LOW before filling the message space causes the recording to stop and an EOM marker to be placed. The device powers down automatically.

### 7. Playback a message that partially fills the memory

Pulling the PLAYE or PLAYL pin HIGH initiates a playback cycle. The playback cycle ceases when the EOM marker is encountered and the device then powers down.

# ADVANCED INFORMATION ISD18C00 SERIES



## 8. RECLED operation

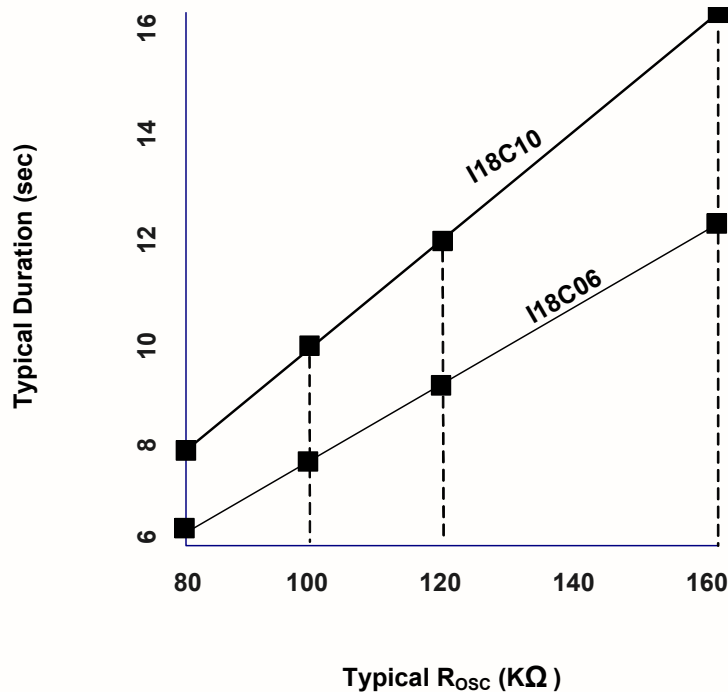
The  $\overline{\text{RECLED}}$  output pin provides an active-LOW signal, which can be used to drive an LED as a "record-in-progress" indicator. It returns to a HIGH state when the REC pin is released LOW or when the recording is completed due to the memory being filled. This pin also pulses LOW to indicate the end of a message has been reached.

## 9. ROSC operation

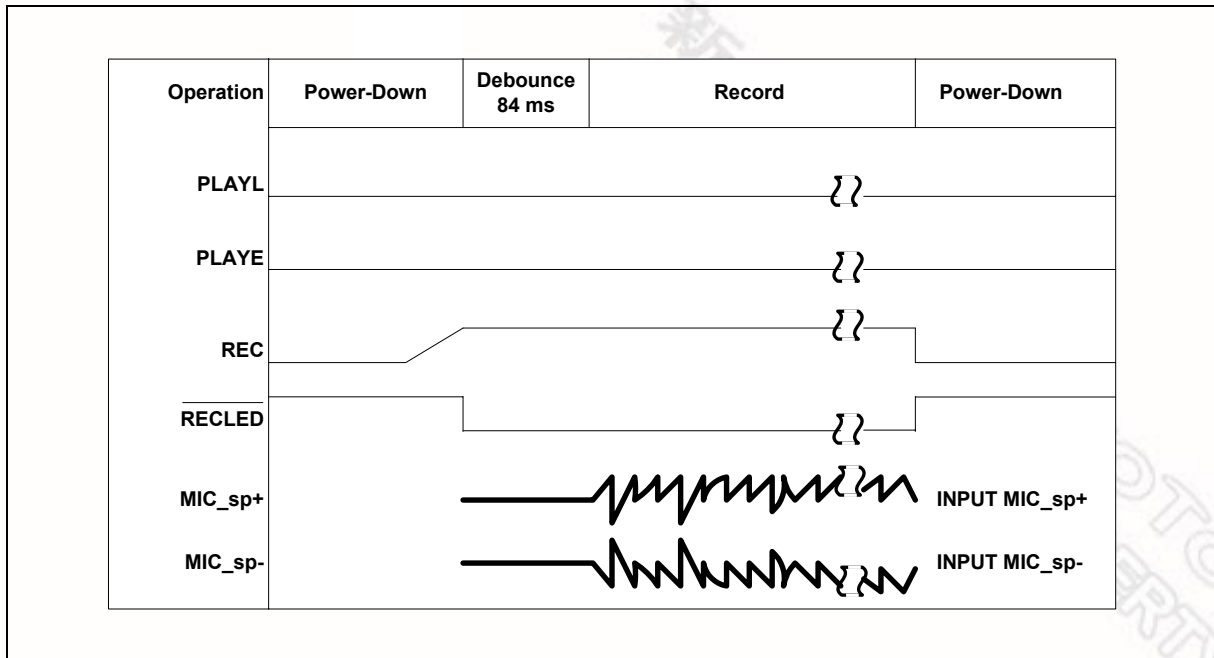
The duration of the device can be varied by changing the value of R1 ( $R_{\text{OSC}}$ ). This means the ISD18C00 device can actually be between 8 to 16 seconds duration. See the curve below, which charts typical durations when the  $R_{\text{OSC}}$  is varied from 80 K $\Omega$  to 160 K $\Omega$ .

This feature allows frequency shifting where a recorded voice or sound can be played back faster or slower than normal for special effects.

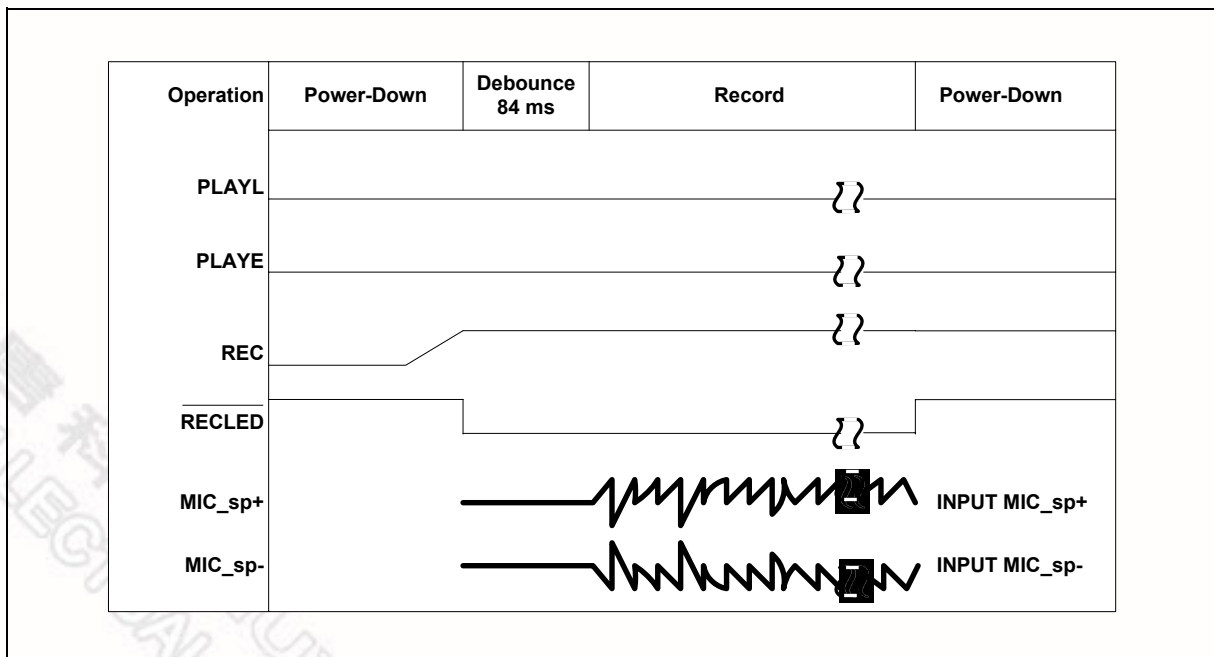
Chart 1: ISD Duration Versus  $R_{\text{OSC}}$  at  $T_A = 25^\circ\text{C}$  and  $V_{\text{CC}} = 3.0\text{V}$



**7. TIMING DIAGRAMS**



**FIGURE 1: RECORD MESSAGE UNTIL RECORD GOES LOW**



**FIGURE 2: RECORD MESSAGE UNTIL ARRAY IS FULL**

# ADVANCED INFORMATION ISD18C00 SERIES

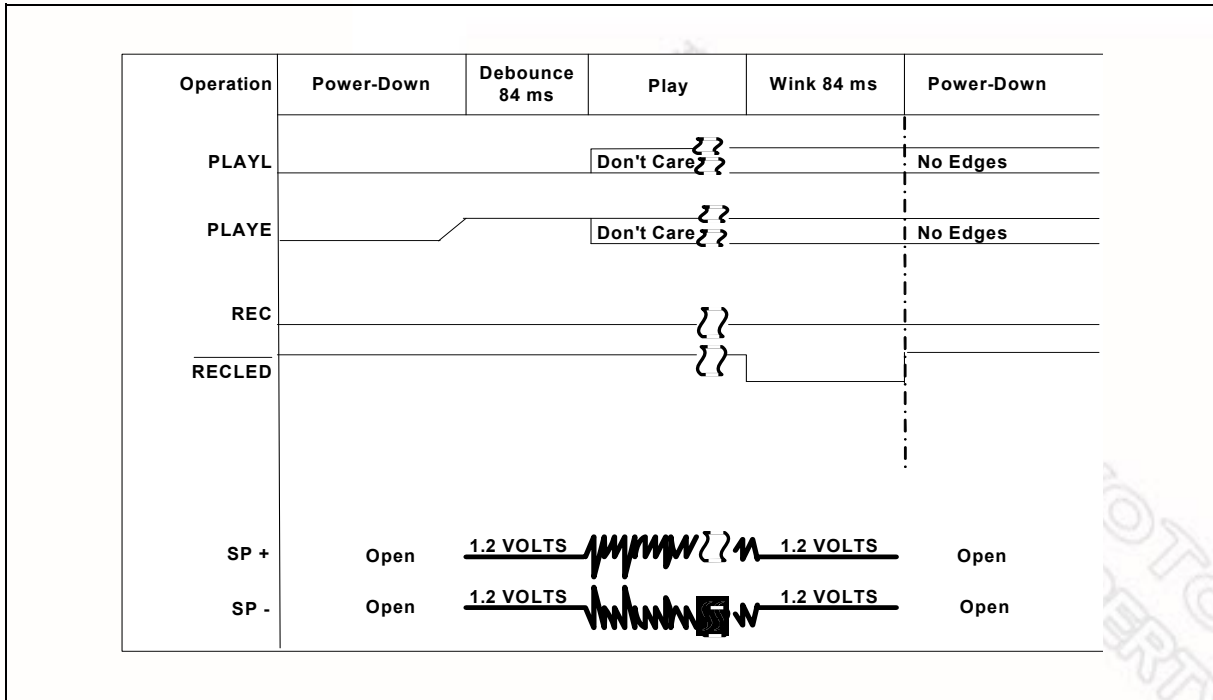


FIGURE 3: PLAY EDGE (PLAYE) PLAY UNTIL END OF MESSAGE

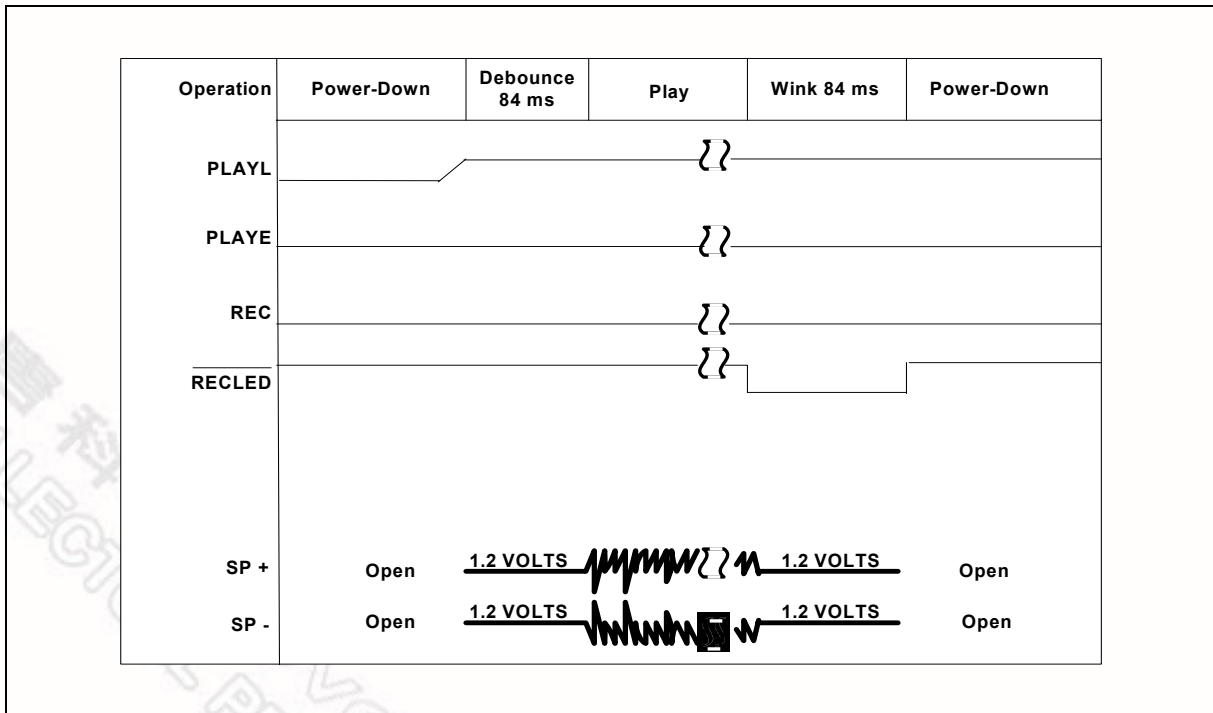


FIGURE 4: PLAY LEVEL (PLAYL) PLAY UNTIL END OF MESSAGE

# ADVANCED INFORMATION ISD18C00 SERIES

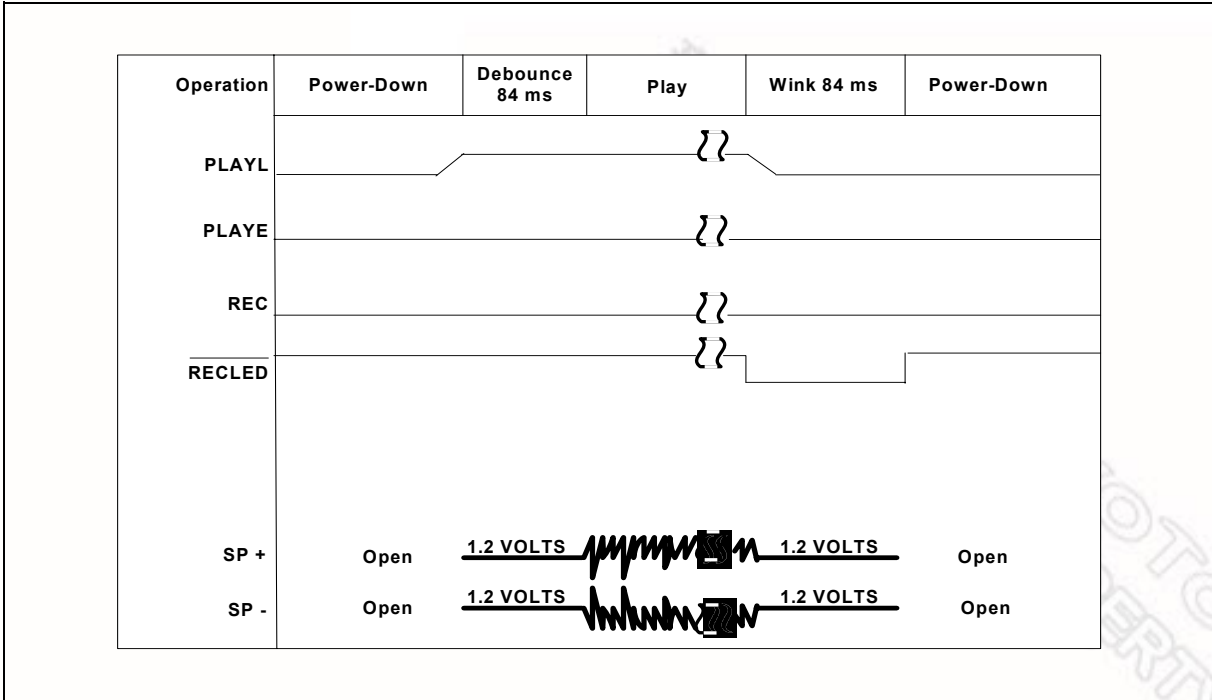


FIGURE 5: PLAY UNTIL PLAY LEVEL (PLAYL) FALLS

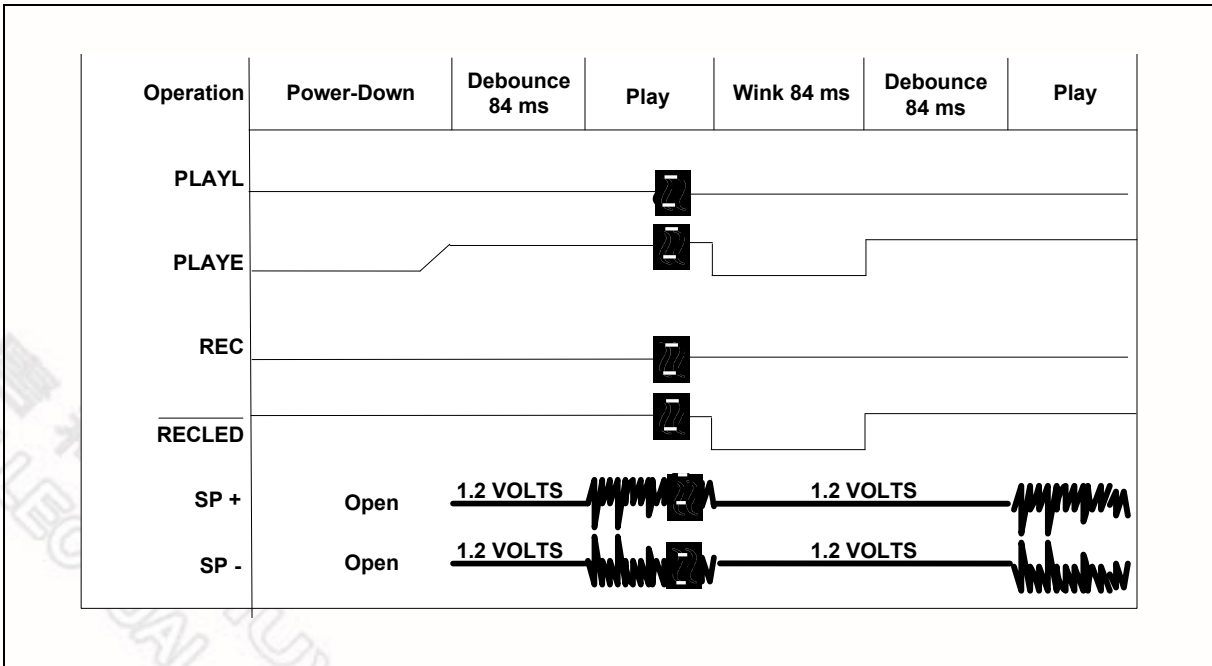


FIGURE 6: LOOPING PLAY, PLAYE TO RECLEd

Note: Looping playback operation can be performed by connecting the RECLEd pin to PLAYE pin.

# ADVANCED INFORMATION ISD18C00 SERIES



## 8. ABSOLUTE MAXIMUM RATINGS <sup>[1]</sup>

### ABSOLUTE MAXIMUM RATINGS (DIE)

CONDITION	VALUE
Junction temperature	150°C
Storage temperature range	-65°C to +150°C
Voltage applied to any pin	(V <sub>SS</sub> -0.3V) to (V <sub>CC</sub> +0.3V)
V <sub>CC</sub> - V <sub>SS</sub>	-0.3V to +7.0V

### ABSOLUTE MAXIMUM RATINGS (PACKAGED PARTS)

CONDITION	VALUE
Junction temperature	150°C
Storage temperature range	-65°C to +150°C
Voltage applied to any pin	(V <sub>SS</sub> -0.3V) to (V <sub>CC</sub> +0.3V)
Lead temperature (Soldering - 10sec)	300°C
V <sub>CC</sub> - V <sub>SS</sub>	-0.3V to +7.0V

<sup>[1]</sup> Stresses above those listed may cause permanent damage to the device. Exposure to the absolute maximum ratings may affect device reliability and performance. Functional operation is not implied at these conditions.



# ADVANCED INFORMATION ISD18C00 SERIES

**nuvoTon**

## 8.1. OPERATING CONDITIONS

### OPERATING CONDITIONS (DIE)

CONDITION	VALUE
Operating temperature range	0°C to +50°C
Play voltage ( $V_{CC}$ ) <sup>[1]</sup>	+2.7V to +4.5V
Ground voltage ( $V_{SS}$ ) <sup>[2]</sup>	0V
Record Supply voltage ( $V_{CC}$ ) <sup>[1]</sup>	+2.7V to 4.5V

<sup>[1]</sup>  $V_{CC} = V_{CCA} = V_{CCD}$

<sup>[2]</sup>  $V_{SS} = V_{SSA} = V_{SSD}$

# ADVANCED INFORMATION ISD18C00 SERIES



## 9. ELECTRICAL CHARACTERISTICS

### 9.1. DC PARAMETERS

PARAMETER	SYMBOL	MIN <sup>[2]</sup>	TYP <sup>[1]</sup>	MAX <sup>[2]</sup>	UNITS	CONDITIONS
Input Low Voltage	V <sub>IL</sub>			0.8	V	
Input High Voltage	V <sub>IH</sub>	2.0			V	
Output Low Voltage	V <sub>OL</sub>			0.4	V	I <sub>OL</sub> = 4.0 mA <sup>[3]</sup>
Output High Voltage	V <sub>OH</sub>	2.4			V	I <sub>OH</sub> = -1.6 mA <sup>[3]</sup>
V <sub>CC</sub> Current (Operating)	I <sub>CC</sub>			30	mA	V <sub>CC</sub> = 4.5V (No Load)
V <sub>CC</sub> Current (Standby)	I <sub>SB</sub>		0.5	10	μA	<sup>[4]</sup> <sup>[5]</sup>
Input Leakage Current	I <sub>ILPD1</sub>			±1	μA	Force V <sub>SS</sub> <sup>[6]</sup>
Input Current HIGH	I <sub>ILPD2</sub>	30	150	400	μA	Force V <sub>CC</sub> <sup>[7]</sup>
Input Current HIGH	I <sub>ILPD3</sub>	3		130	μA	Force V <sub>CC</sub> <sup>[8]</sup>
Output Load Impedance	R <sub>EXT</sub>	8			Ω	Speaker Load, SP+ to SP-
Preamp Input Resistance	R <sub>MIC_sp+</sub> , R <sub>MIC_sp-</sub>		5		KΩ	
MIC SP+/- Gain	A <sub>MSP</sub>		60		dB	AGC = 0.0V

Notes:

<sup>[1]</sup> Typical values @ T<sub>A</sub> = 25° and V<sub>CC</sub> = 3.0V.

<sup>[2]</sup> All Min/Max limits are guaranteed by Nuvoton via electrical testing or characterization. Not all specifications are 100 percent tested.

<sup>[3]</sup> Record LED output, RECLEDD.

<sup>[4]</sup> V<sub>CCA</sub> and V<sub>CCD</sub> connected together.

<sup>[5]</sup> REC, PLAYL, PLAYE, XCLK, and FT must be at V<sub>SSD</sub>.

<sup>[6]</sup> REC, PLAYL and PLAYE.

<sup>[7]</sup> REC, PLAYL and PLAYE.

<sup>[8]</sup> Test limits of Final Test.

# ADVANCED INFORMATION ISD18C00 SERIES



## 9.2. AC PARAMETERS<sup>[1]</sup>

CHARACTERISTIC	SYMBOL		MIN <sup>[3]</sup>	TYP <sup>[2]</sup>	MAX <sup>[3]</sup>	UNITS	CONDITIONS
Sampling Frequency	F <sub>S</sub>			8		KHz	<sup>[4]</sup>
Filter Pass Band	F <sub>CF</sub>	ISD18C06		2.2		KHz	3 dB Roll-Off Point R <sub>OSC</sub> = 100 KΩ <sup>[5][6]</sup>
		ISD18C10		2.2			
Record Duration	T <sub>REC</sub>	ISD1806		7.5		sec	R <sub>OSC</sub> = 100KΩ <sup>[4]</sup>
		ISD18C10		10			
Playback Duration	T <sub>PLAY</sub>	ISD1806		7.5		sec	R <sub>OSC</sub> = 100KΩ <sup>[4]</sup>
		ISD18C10		10			
EOM Pulse Width	T <sub>EOM</sub>			84		msec	
Debounce Time	T <sub>DB</sub>			84		msec	
Total Harmonic Distortion	THD			1		%	@ 1KHz, V <sub>IN</sub> =15mV pk-to-pk
Speaker Output Power	P <sub>OUT</sub>			24.4		mW	R <sub>EXT</sub> = 8Ω
Voltage Across Speaker Pins	V <sub>OUT</sub>			1.25	2.5	Vp-p	R <sub>EXT</sub> = 600Ω
MIC_SP+- Input Voltage				2	30	mV	Peak-to-Peak <sup>[7]</sup>

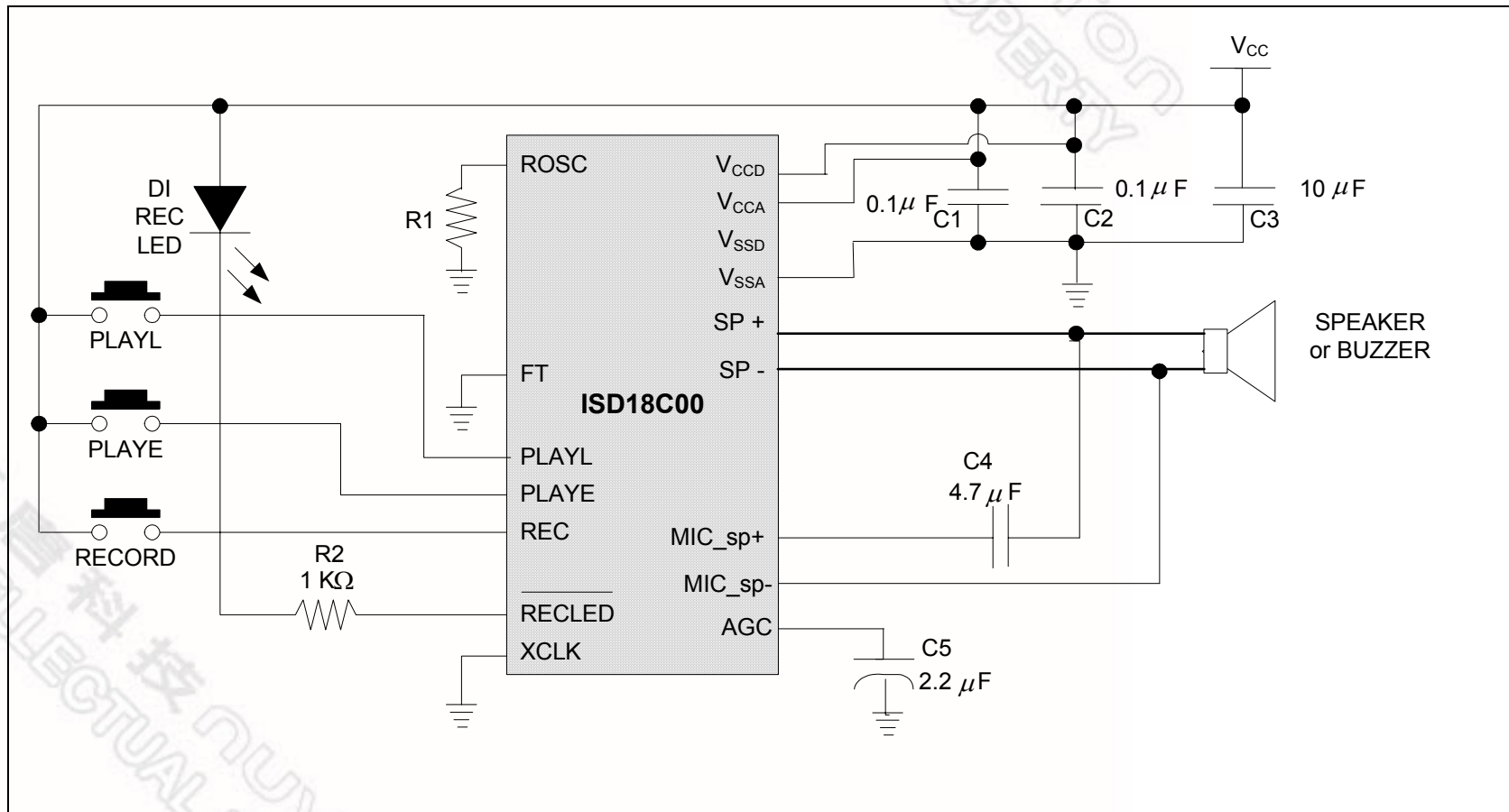
Notes:

- <sup>[1]</sup> These specifications apply with R<sub>OSC</sub> = 100KΩ, unless stated.
- <sup>[2]</sup> Typical values @ T<sub>A</sub> = 25° and V<sub>CC</sub> = 3.0V.
- <sup>[3]</sup> All Min/Max limits are guaranteed by Nuvoton via electrical testing or characterization. Not all specifications are 100 percent tested.
- <sup>[4]</sup> Oscillator stability may vary as much as ±5% over the operating temperature and voltage ranges. (Only 10 sec duration of I18C10 are tested/guaranteed)
- <sup>[5]</sup> Low-frequency cutoff depends upon value of external capacitors (see Pin Descriptions)
- <sup>[6]</sup> Filter specification applies to the anti-aliasing filter and to the smoothing filter.
- <sup>[7]</sup> Balanced input signal applied between MIC\_sp+ or MIC\_sp- as shown in the applications example. Single-ended MIC\_sp+ or MIC\_sp-recommended to be less than 10 mV peak to peak.

# ADVANCED INFORMATION ISD18C00 SERIES

nuvoTon

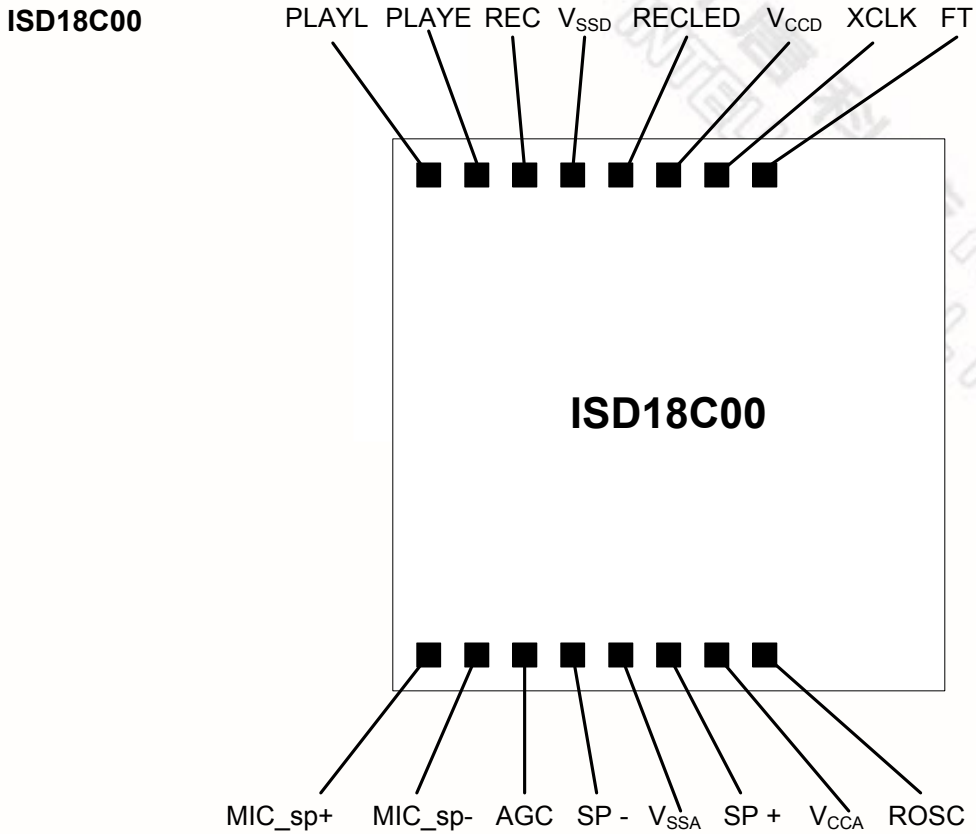
## 10. TYPICAL APPLICATION CIRCUIT



# ADVANCED INFORMATION ISD18C00 SERIES

nuvoTon

## 10.1. ISD18C00 BONDING PHYSICAL LAYOUT (DIE)



### Notes:

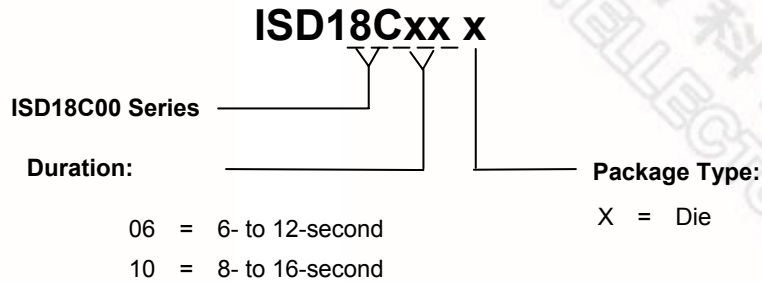
1. The backside of die is internally connected to  $V_{SS}$ . It **MUST NOT** be connected to any other potential or damage may occur.
2. Die thickness is subject to change, please contact Nuvoton factory for status and availability.

# ADVANCED INFORMATION ISD18C00 SERIES



## 11. ORDERING INFORMATION

### Product Number Descriptor Key



When ordering, please refer to the following part numbers that are supported in volume for this product series. Consult the local Nuvoton Sales Representative or Distributor for availability information.

Package	Part Number	Ordering Number	Comments
Die	ISD18C10X	I18C10X	
Die	ISD18C06X	I18C06X	

For the latest product information, access Nuvoton's worldwide website at <http://www.Nuvoton-usa.com>

# ADVANCED INFORMATION ISD18C00 SERIES



## 14. VERSION HISTORY

VERSION	DATE	DESCRIPTION
0.0	February 09	Advanced Specifications. Created one datasheet for both ISD18C00 Series and I18C10 product.



# ADVANCED INFORMATION ISD18C00 SERIES

**nuvoTon**

Nuvoton products are not designed, intended, authorized or warranted for use as components in systems or equipment intended for surgical implantation, atomic energy control instruments, airplane or spaceship instruments, transportation instruments, traffic signal instruments, combustion control instruments, or for other applications intended to support or sustain life. Furthermore, Nuvoton products are not intended for applications wherein failure of Nuvoton products could result or lead to a situation wherein personal injury, death or severe property or environmental damage could occur.

Nuvoton customers using or selling these products for use in such applications do so at their own risk and agree to fully indemnify Nuvoton for any damages resulting from such improper use or sales.

The contents of this document are provided only as a guide for the applications of Nuvoton products. Nuvoton makes no representation or warranties with respect to the accuracy or completeness of the contents of this publication and reserves the right to discontinue or make changes to specifications and product descriptions at any time without notice. No license, whether express or implied, to any intellectual property or other right of Nuvoton or others is granted by this publication. Except as set forth in Nuvoton's Standard Terms and Conditions of Sale, Nuvoton assumes no liability whatsoever and disclaims any express or implied warranty of merchantability, fitness for a particular purpose or infringement of any Intellectual property.

The contents of this document are provided "AS IS", and Nuvoton assumes no liability whatsoever and disclaims any express or implied warranty of merchantability, fitness for a particular purpose or infringement of any Intellectual property. In no event, shall Nuvoton be liable for any damages whatsoever (including, without limitation, damages for loss of profits, business interruption, loss of information) arising out of the use of or inability to use the contents of this documents, even if Nuvoton has been advised of the possibility of such damages.

Application examples and alternative uses of any integrated circuit contained in this publication are for illustration only and Nuvoton makes no representation or warranty that such applications shall be suitable for the use specified.

The 100-year retention and 100K record cycle projections are based upon accelerated reliability tests, as published in the Nuvoton Reliability Report, and are neither warranted nor guaranteed by Nuvoton. This product incorporates SuperFlash<sup>®</sup>.

Information contained in this ISD<sup>®</sup> ChipCorder<sup>®</sup> datasheet supersedes all data for the ISD ChipCorder products published by ISD<sup>®</sup> prior to August, 1998.

This datasheet and any future addendum to this datasheet is(are) the complete and controlling ISD<sup>®</sup> ChipCorder<sup>®</sup> product specifications. In the event any inconsistencies exist between the information in this and other product documentation, or in the event that other product documentation contains information in addition to the information in this, the information contained herein supersedes and governs such other information in its entirety. This datasheet is subject to change without notice.

Copyright<sup>®</sup> 2005, Nuvoton Technology Corporation. All rights reserved. ChipCorder<sup>®</sup> and ISD<sup>®</sup> are trademarks of Nuvoton Technology Corporation. SuperFlash<sup>®</sup> is the trademark of Silicon Storage Technology, Inc. All other trademarks are properties of their respective owners.

## Headquarters

No. 4, Creation Rd. III  
Science-Based Industrial Park,  
Hsinchu, Taiwan  
TEL: 886-3-5770066  
FAX: 886-3-5665577  
<http://www.Nuvoton.com.tw/>

## Nuvoton Technology Corporation America

2727 North First Street, San Jose,  
CA 95134, U.S.A.  
TEL: 1-408-9436666  
FAX: 1-408-5441797  
<http://www.Nuvoton-usa.com/>

## Nuvoton Technology (Shanghai) Ltd.

27F, 299 Yan An W. Rd. Shanghai,  
200336 China  
TEL: 86-21-62365999  
FAX: 86-21-62356998

## Taipei Office

9F, No. 480, Pueiguang Rd.  
Neihu District  
Taipei, 114 Taiwan  
TEL: 886-2-81777168  
FAX: 886-2-87153579

## Nuvoton Technology Corporation Japan

7F Daini-ueno BLDG. 3-7-18  
Shinyokohama Kohokuku,  
Yokohama, 222-0033  
TEL: 81-45-4781881  
FAX: 81-45-4781800

## Nuvoton Technology (H.K.) Ltd.

Unit 9-15, 22F, Millennium City,  
No. 378 Kwun Tong Rd.,  
Kowloon, Hong Kong  
TEL: 852-27513100  
FAX: 852-27552064

Please note that all data and specifications are subject to change without notice.  
All the trademarks of products and companies mentioned in this datasheet belong to their respective owners.

Date: February 24, 2009

Revision 0.4