

Audio Amplifier ISD8101 DataSheet

The information described in this document is the exclusive intellectual property of Nuvoton Technology Corporation and shall not be reproduced without permission from Nuvoton.

Nuvoton is providing this document only for reference purposes of Audio Product Line based system design. Nuvoton assumes no responsibility for errors or omissions.

All data and specifications are subject to change without notice.

For additional information or questions, please contact: Nuvoton Technology Corporation.

www.nuvoton.com

1 GENERAL DESCRIPTION

The ISD8100 is a general purpose analog audio amplifier capable of driving an 8-ohm load with up to 1.5Wrms output power. This device includes current limiting and a chip enable pin with low standby current and excellent pop-and-click performance.

Also included is the ability for the inputs to be configured as either single-ended or differential. Internal resistors set the device gain at 20dB in the single ended output configuration. With external resistors, any gain less than 20dB can be achieved. The device is unity gain stable, including when used with external input resistors and external capacitors as may be optionally used for implementing simple filtering functions.

2 FEATURES

- Wide power supply range and excellent standby current
 - 2.4Vdc - 6.8Vdc operation
 - <1uA standby current
- High output power (capless BTL configuration)
 - Up to 1.5-W output into 8-ohm load (<10% distortion) with 6.8Vdc supply voltage
 - < 0.1% distortion at 500mW into 8-ohms with 5Vdc supply voltage
- Excellent pop-and-click performance
 - Low to inaudible pop/click using Chip Enable
- Single-Ended or Differential signal inputs
 - > 40dB common mode rejection in differential mode
 - > 40dB power supply noise rejection
- Very fast start-up time
 - Less than 1msec when using Chip Enable
- Current limiting for over-current conditions
- Package options: SOP-8, SOP-8 (Ex-Pad), PDIP-8
- Temperature Range: -40°C ~ +85°C
- Package is Halogen-free, RoHS-compliant and TSCA-compliant

Applications:

- Toys
- Mobile Phones
- Greeting Cards
- Portable Speakers
- Boom Box
- White Goods

3 BLOCK DIAGRAM

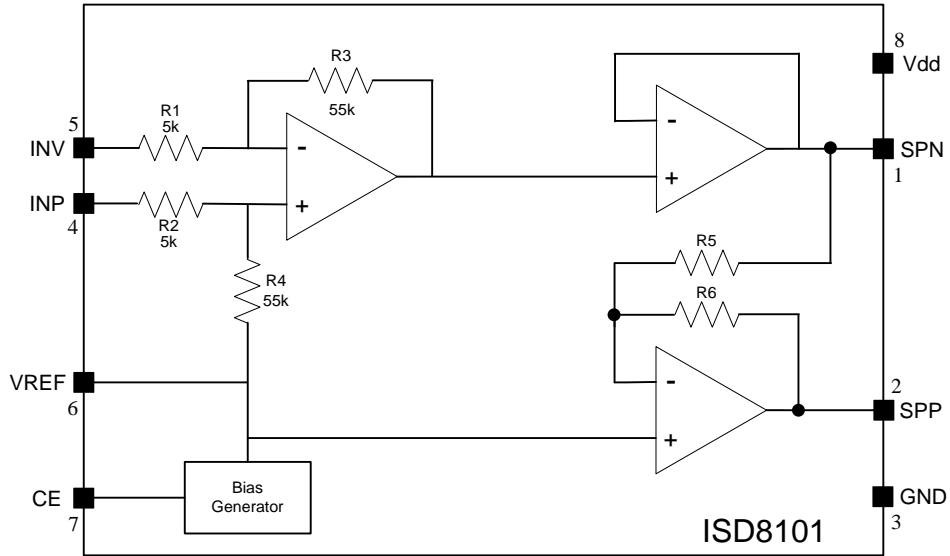


Figure 3-1 ISD8101 Block Diagram

4 PINOUT CONFIGURATION:

4.1 SOP-8

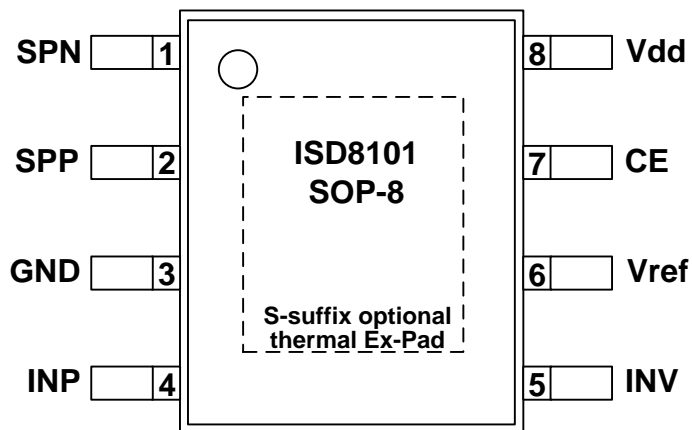


Figure 4-1 ISD8101 8-Lead SOP Pin Configuration.

4.2 PDIP-8

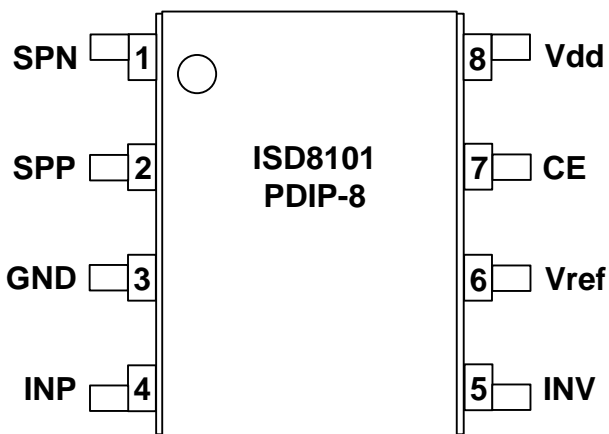


Figure 4-2 ISD8101 8-Lead PDIP Pin Configuration.

5 PIN DESCRIPTION

Pin Number	Pin Name	I/O	Function
1	SPN	O	Non-Inverting Speaker Output
2	SPP	O	Inverting Speaker Output
3	GND	I	Ground
4	INP	I	Non-Inverting Signal Input
5	INV	I	Inverting Signal Input
6	Vref	O	Internal Reference Voltage (1/2 Vdd)
7	CE	I	Chip Enable
8	Vdd	I	Supply Voltage
9	Ex-Pad	I	Thermal Tab (must be connected to Vss, SOP-8 package, only)

6 ELECTRICAL CHARACTERISTICS

6.1 OPERATING CONDITIONS

OPERATING CONDITIONS (DIE)

CONDITIONS	VALUES
Operating temperature range ¹	-40°C to +85°C
Supply voltage (V _{DD})	+2.4V to +6.8V
Ground voltage (V _{SS})	0V
Input voltage (V _{DD})	V _{SS} to V _{DD}
Voltage applied to any pins	(V _{SS} -0.3V) to (V _{DD} +0.3V)

OPERATING CONDITIONS (INDUSTRIAL PACKAGED PARTS)

CONDITIONS	VALUES
Operating temperature range (Case temperature) ¹	-40°C to +85°C
Supply voltage (V _{DD})	+2.4V to +6.8V
Ground voltage (V _{SS})	0V
Input voltage (V _{DD})	V _{SS} to V _{DD}
Voltage applied to any pins	(V _{SS} -0.3V) to (V _{DD} +0.3V)

Notes: ^[1] Conditions V_{DD}=3.3V, T_A=25°C unless otherwise stated. Die temperature must at all times be kept less than 125°C by appropriate thermal design of the system.

6.2 DC PARAMETERS

PARAMETER	SYMBOL	MIN	TYP ^[1]	MAX	UNITS	CONDITIONS
Supply Voltage	V _{DD}	2.4		6.8	V	
Operating Current	I _{DD}		2.4		mA	V _{DD} = 5V, no load
Standby Current	I _{SB}		0.1	1	μA	V _{DD} = 5V
CE input resistance			20k		Ω	Internal pull-down
CE input current			120		μA	CE = 2.3V, V _{DD} = 5V
CE threshold enabled	V _{ENL}		0.9		V	All supply voltages
CE threshold standby	V _{ENH}		1.5		V	All supply voltages
Vref Reference Voltage			V _{DD} /2		V	

Notes: ^[1] Conditions V_{DD} = 3.3V, T_A = 25°C unless otherwise stated. Die temperature must at all times be kept less than 125°C by appropriate thermal design of the system.

6.3 AC PARAMETERS

6.3.1 Analog Characteristics; Cref=4.7uF

PARAMETER	SYMBOL	MIN	TYP	MAX	UNITS	CONDITIONS
Audio Input Voltage Range			0.3 - 5.5		V	Vdd = 6.8Vdc
			0.3 - 2.3		V	Vdd = 3.3Vdc
			0.5 - 1.4		V	Vdd = 2.4Vdc
Inverting Input Impedance			5k		Ω	Gain=20dB
Non-Inverting Input Impedance			60k		Ω	Gain=20dB
Power Supply Rejection Ratio	PSRR		41		dB	Vdd = 5Vdc
Common Mode Rejection Ratio	CMRR		40		dB	Signal at INP = INV
Voltage Gain			20		dB	Rinput = zero-ohms
Enable Time from Standby			0.5		msec	Single-ended
Enable Time from Standby			0.5		msec	Differential
Pop-and-Click from Standby ¹			10		mV	Single Ended
Pop-and-Click from Standby ¹			10		mV	Differential
Thermal Resistance ²			90		°C/W	SOP-8 (with Ex-Pad)
Thermal Resistance ²			150		°C/W	SOP-8
Thermal Resistance ²			117		°C/W	PDIP-8

Notes:^[1] Impulse voltage that is potentially audible. After impulse, there is a slow ramp from standby Vref to operating Vref, which is typically inaudible with Cref = 4.7uF

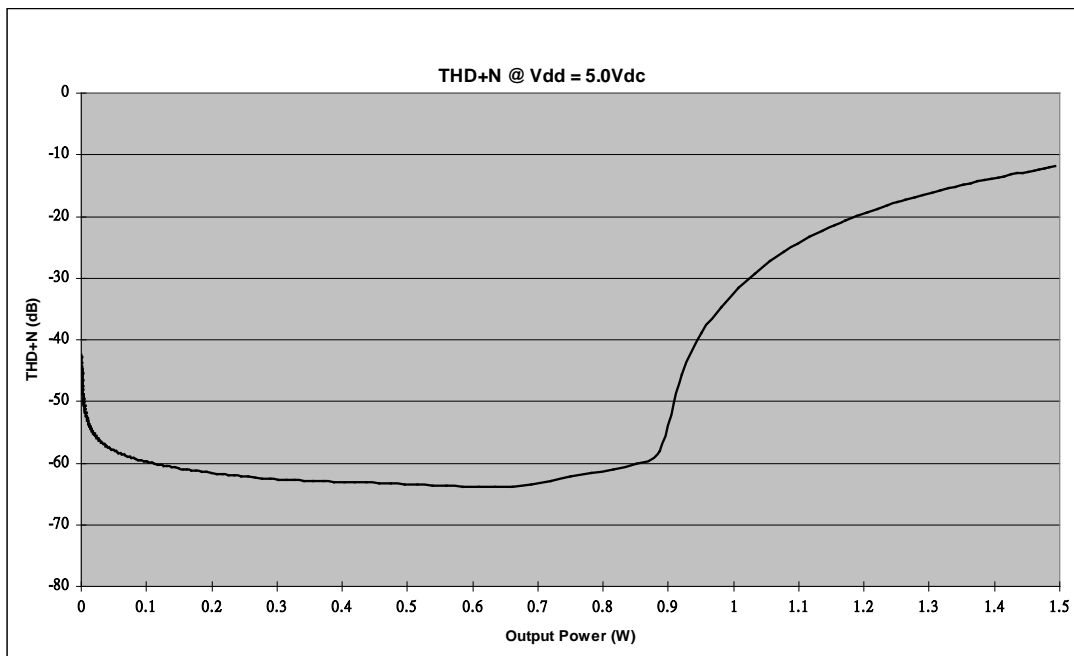
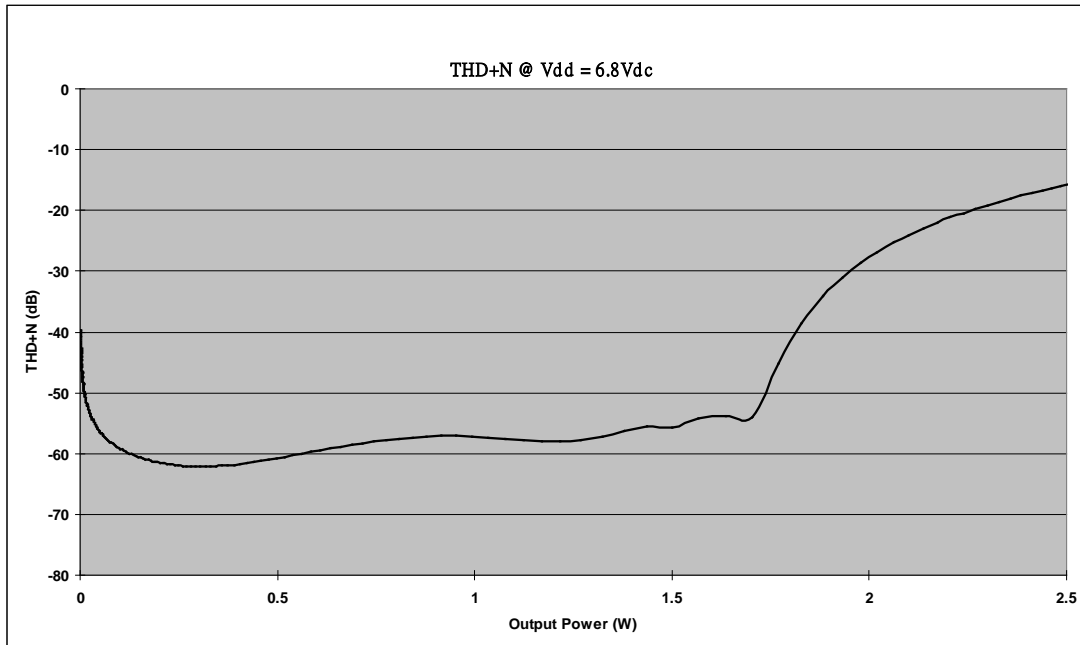
^[2] Thermal resistance values are calculated from a generic simulation following JEDEC specification (JESD51) and can vary depending upon PCB design.

6.3.2 Speaker Outputs

PARAMETER	SYMBOL	MIN	TYP ^[1]	MAX	UNITS	CONDITIONS
Signal-to-Noise Ratio	SNR		100		dB	0dB gain, 5Vdc
Output Power (BTL mode) Load 8Ω Vdd=5Vdc 0dB gain Distortion = THD+N			500		mW	<0.1% distortion
			825		mW	<1% distortion
			1000		mW	5.6% distortion
			1.1		Watt	<10% distortion
			1.5		Watt	<10% distortion and Vdd = 6.8Vdc
Load Impedance	R _{L(SPK)}	7.5	8		Ω	
Output Offset Voltage			8		mV	

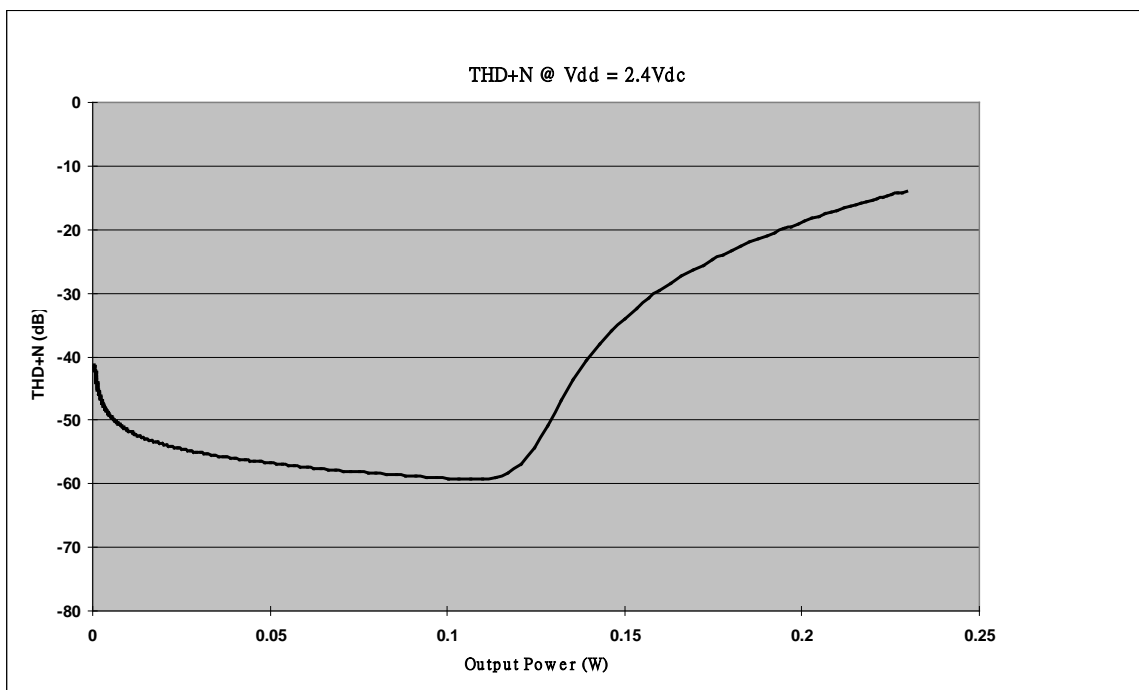
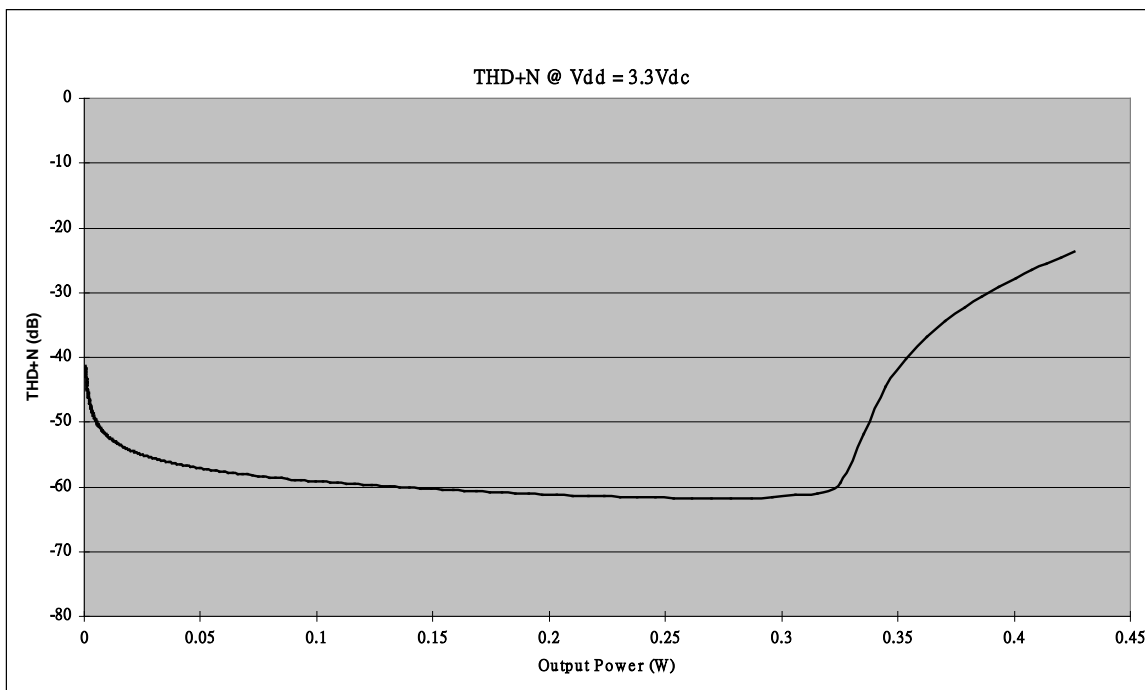
Notes: ^[1] Conditions V_{DD}=3.3V, T_A=25°C unless otherwise stated. Die temperature must at all times be kept less than 125°C by appropriate thermal design of the system.

6.3.3 Total Harmonic Distortion Plus Noise VS. Output Power at 6.8Vdc and 5.0Vdc Supply Voltage with 8Ω Load



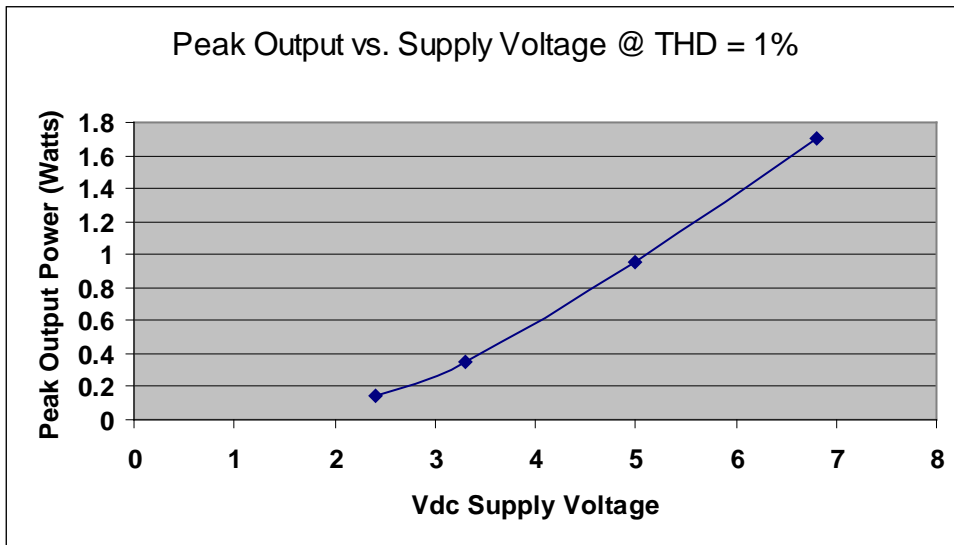
Conditions: THD+N measurement Bandwidth 22Hz to 22kHz at T_A=25°C

6.3.4 Total Harmonic Distortion Plus Noise VS. Output Power at 3.3Vdc and 2.4Vdc Supply Voltage with 8Ω Load



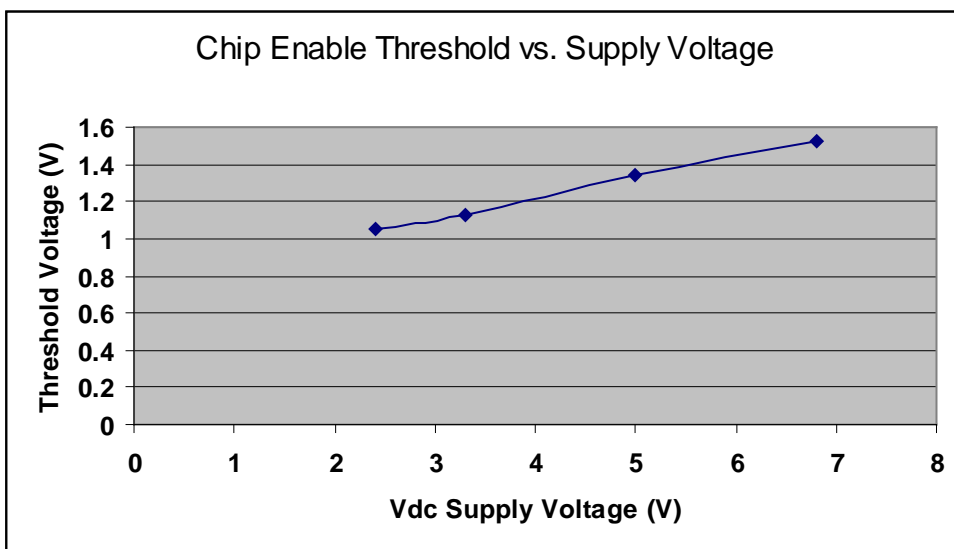
Conditions: THD+N measurement Bandwidth 22Hz to 22kHz at T_A=25°C

6.3.5 Typical Peak Output Power



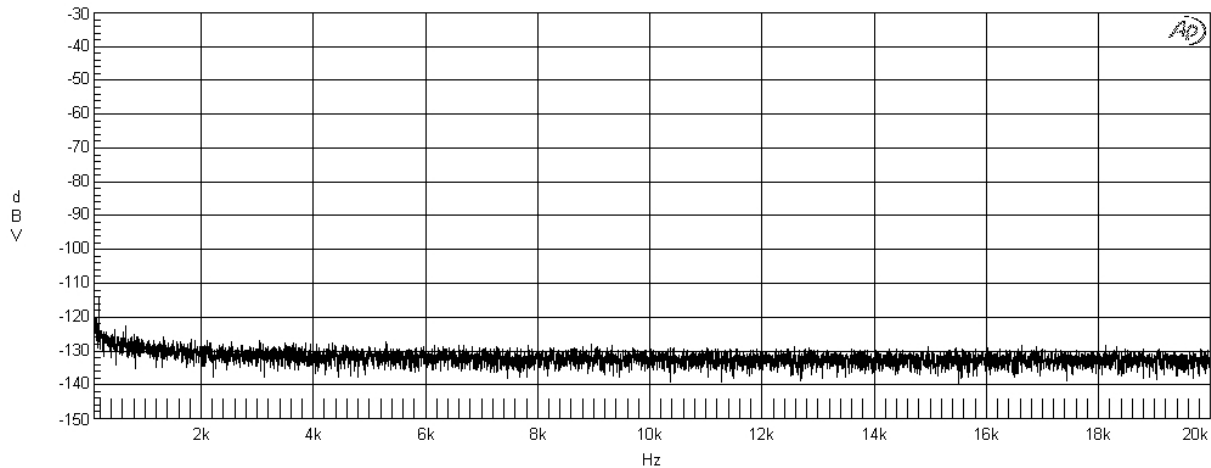
Note: Peak output power becomes reduced as device becomes heated. Sustained medium duration heating typical for audio limits maximum useable output to approximately 1.5Wrms at less than 10% distortion.

6.3.6 Chip Enable Threshold Voltage



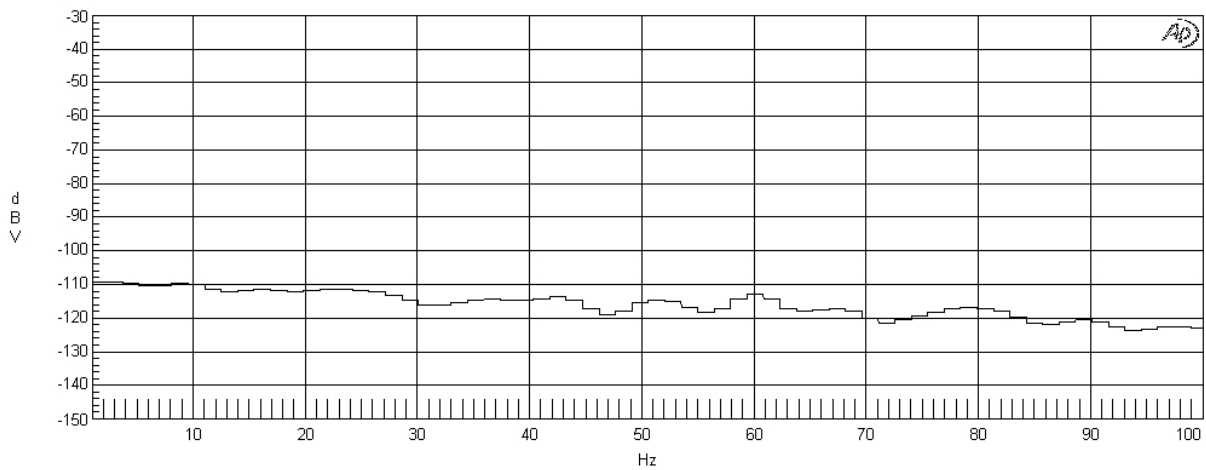
Conditions: $T_A=25^{\circ}\text{C}$

6.3.7 Output Noise Spectrum



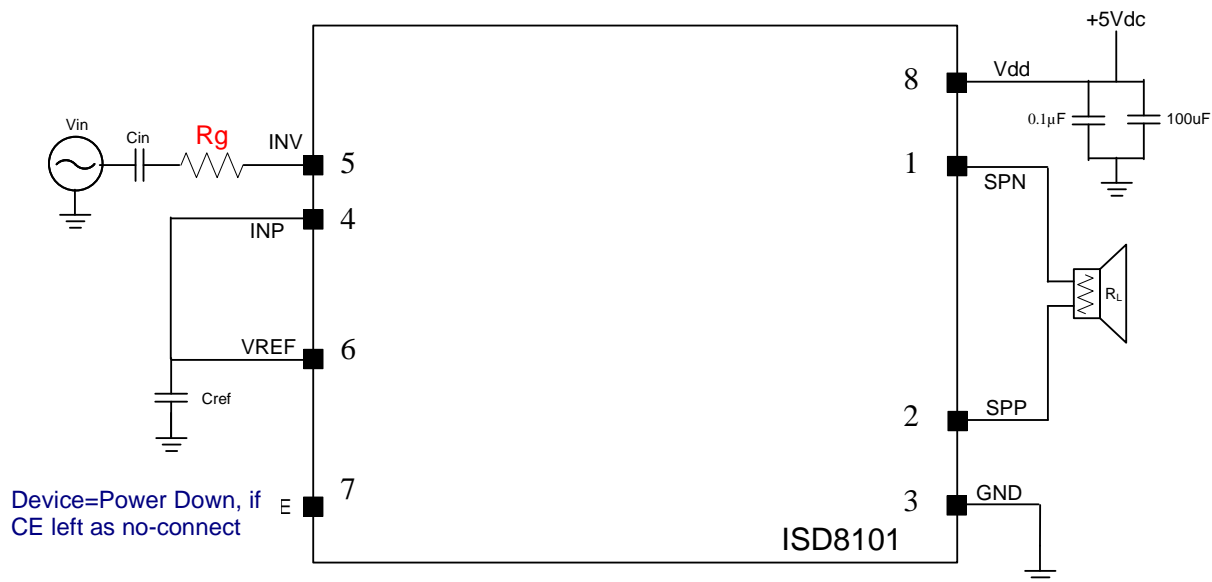
Noise spectrum at Vdd = 5.0Vdc, Gain = 0dB, BW<22kHz

Noise Spectrum at Vdd = 5.0Vdc, Gain = 20dB, BW<22kHz



7 APPLICATION DIAGRAMS

7.1 SIMPLE GAIN SETTING



$$\text{Differential Output Gain (SPP - SPN)} = 2x \frac{50k}{5k + R_g}$$

By default: $R_g = 0\Omega$,

ISD8101 Differential Output Gain = 20

ISD8101 Differential Output Gain (in dB) = $20 \times \log(20) = 26\text{dB}$

Example: $R_g = 45k\Omega$

ISD8101 Differential Output Gain = 2

ISD8101 Differential Output Gain (in dB) = $20 \times \log(2) = 6\text{dB}$

7.2 SINGLE-ENDED ANALOG INPUT

The following application example is for reference. It is only to give a general idea of how to use the ISD8101. Each end-product design must be optimized in its own system for the best performance in terms of voice quality, power consumption, functionality, and other issues.

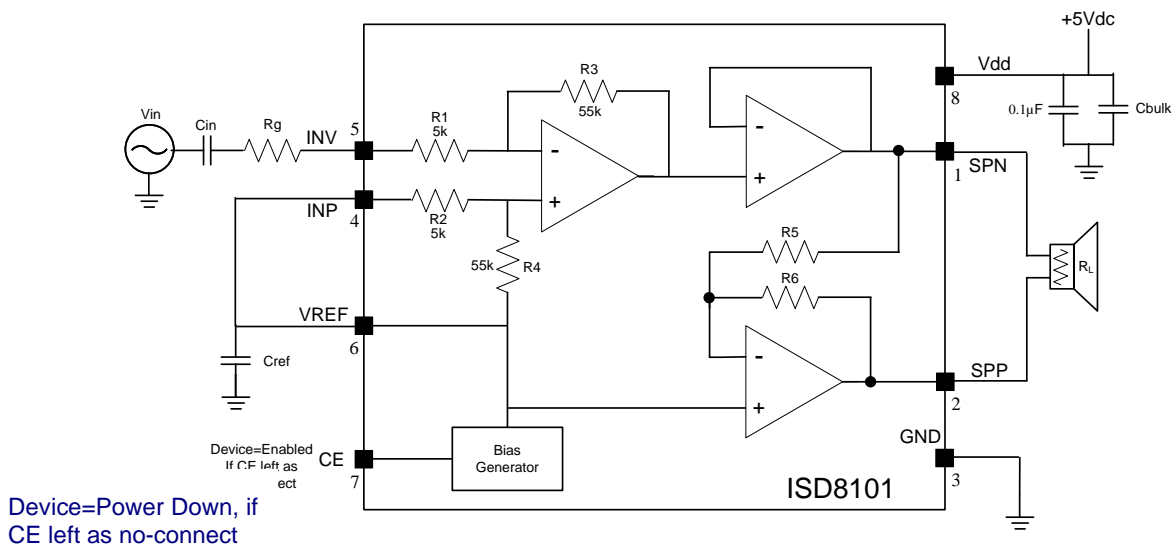


Figure 8-1 ISD8101 Application Diagram

DESIGN SUGGESTIONS

- 1.) Choose the desired Gain or amplification factor: $G = R3/(R1+Rg)$ and then calculate the value for $Rg = R3/G - R1$ and use $R1=5.5k\text{-ohm}$ and $R3=55k\text{-ohm}$.
- 2.) Choose the desired high pass frequency: $Fc = 1/(6.28*Rin*Cin)$ and then calculate the value for $Cin = 1/(6.28*Rin*Fc)$ and use $Rin=Rg+R1$ and $Fc = \text{high-pass frequency in Hz}$. Cin value is Farads. It is best to choose Cin as small as possible. This will minimize cost and any pop/click sound.
- 3.) Choose the value for $Cref$. Note that $Cref$ does not generate any pop/click timing and that the main use for $Cref$ is to filter any supply voltage noise. So, if the power supply noise is not a big concern, then $Cref$ can be small. Typical values for $Cref$ can be between $0.1\mu F$ and $10\mu F$, and a recommended value for general applications is from $1\mu F$ to $4.7\mu F$. In general, it is best if $Cref$ is at least 3x larger in value than Cin . This can help minimize the first-time power-on pop noise. After the first-time power-on, the $Cref$ value has no effect on pop/click performance.
- 4.) Choose the value for $Cbulk$. This value will depend on the both the physical layout (size and length of PCB traces/wires) and the power supply properties. The suggested value for $Cbulk$ is $100\mu F$ and is recommending to put close to the device. If the power supply is far away or weak, then $Cbulk$ may need to be a larger value. If the power supply is very close and has high current capacity, then it may be possible to use a smaller value for $Cbulk$. If $Cbulk$ is too small, the system can be unstable and may oscillate.

7.3 DIFFERENTIAL INPUT FOR ANALOG OR PWM

The following application example is for reference, and is only to give a general idea how to use the ISD8101. Each end-product design must be optimized in its own system for the best performance on voice quality, power consumption, functionality, and all other issues.

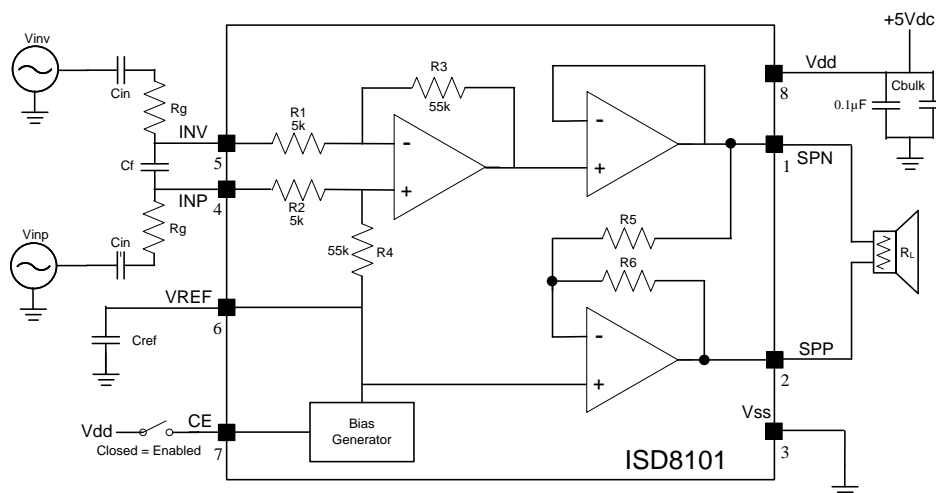


Figure 8-2 ISD8101 Application Diagram

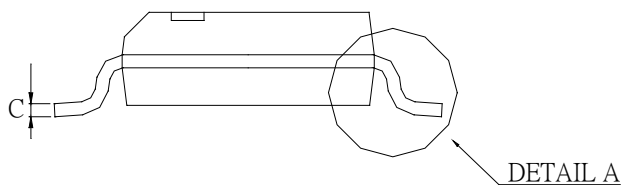
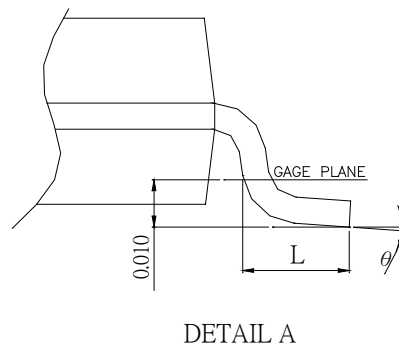
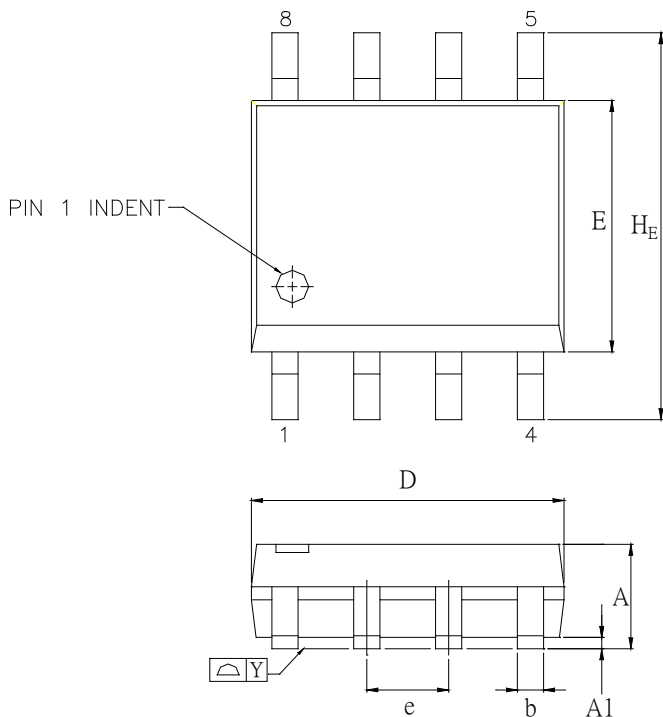
DESIGN SUGGESTIONS

- 1.) Choose the desired Gain or amplification factor: $G = R3/(R1+Rg)$ and then calculate the value for $Rg = R3/G - R1$ and use $R1=5.5k\text{-ohm}$ and $R3=55k\text{-ohm}$. Both Rg parts should be the same value.
- 2.) Choose the desired low-pass frequency: $Fc = 1/(6.28*Req*Ceq)$ where $Ceq = 2*Cf$ and $Req = R1 || Rg$ to calculate the value of Cf . For a PWM circuit, Fc should be about one-half the audio sample rate.
- 3.) Choose the desired high pass-frequency: $Fc = 1/(6.28*Rin*Cin)$ and then calculate the value for $Cin = 1/(6.28*Rin*Fc)$ and use $Rin=Rg+R1$ and $Fc = \text{high-pass frequency in Hz}$. Cin value is Farads. It is best to choose Cin as small as possible and both Cin parts should be the same value. This will minimize cost and any pop/click sound.
- 4.) Choose the value for $Cref$. Note that $Cref$ does not generate any pop/click timing and that the main use for $Cref$ is to filter any supply voltage noise. So, if the power supply noise is not a big concern, then $Cref$ can be small. Typical values for $Cref$ can be between $0.1\mu F$ and $10\mu F$, and a recommended value for general applications is from $1\mu F$ to $4.7\mu F$. In general, it is best if $Cref$ is at least 3x larger in value than Cin . This can help minimize the first-time power-on pop noise. After the first-time power-on, the $Cref$ value has no effect on pop/click performance.
- 5.) Choose the value for $Cbulk$. This value will depend on the both the physical layout (size and length of PCB traces/wires) and the power supply properties. The suggested value for $Cbulk$ is $100\mu F$ and is recommending to put close to the

device . If the power supply is far away or weak, then Cbulk may need to be a larger value. If the power supply is close and has high current capacity, then it may be possible to use a smaller value for Cbulk. If Cbulk is too small, the system can be unstable and may oscillate.

PACKAGE SPECIFICATION

7.4 8 LEAD SOP-8 (WITHOUT THERMAL EX-PAD)



COTROL DIMENSIONS ARE IN MILLIMETERS.

SYMBOL	MILLIMETER			INCH		
	MIN.	NOM.	MAX.	MIN.	NOM.	MAX.
A	1.35	-	1.75	0.053	-	0.069
A1	0.05	-	0.15	0.002	-	0.006
b	0.33	-	0.51	0.013	-	0.020
C	0.19	-	0.25	0.008	-	0.010
D	4.8	-	5.00	0.188	-	0.196
E	3.8	-	4.0	0.150	-	0.157
e	1.27 BASIC			0.050 BASIC		
HE	5.8	-	6.20	0.228	-	0.244
Y	-	-	0.10	-	-	0.004
L	0.40	-	1.27	0.016	-	0.050
θ	0°	-	10°	0°	-	10°

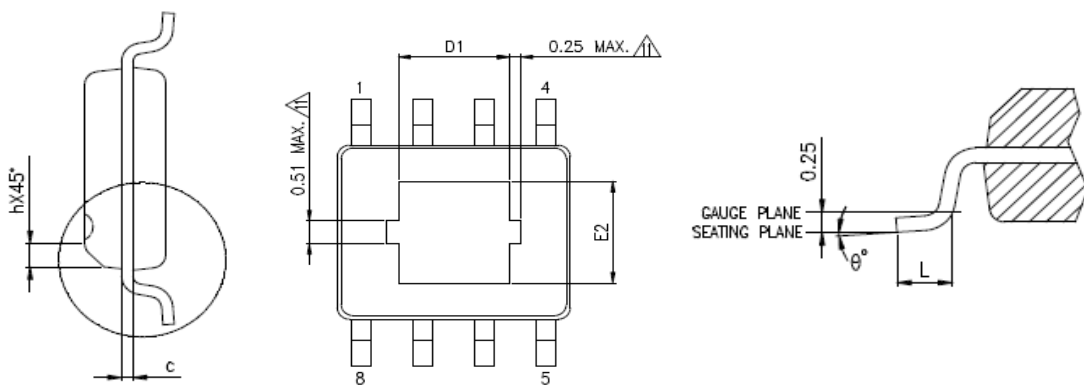
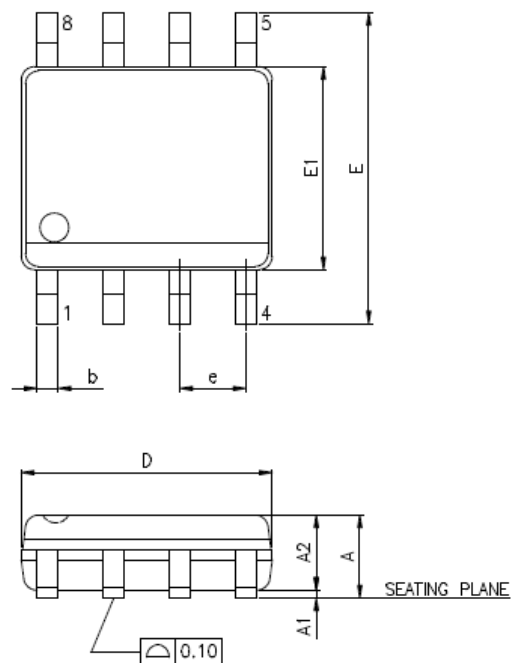
7.5 8 LEAD SOP-8 (WITH THERMAL EX-PAD)

SYMBOLS	STANDARD		THERMAL	
	MIN.	MAX.	MIN.	MAX.
A	—	1.75	—	1.70
A1	0.10	0.25	0.00	0.15
A2	1.25	—	1.25	—
b	0.31	0.51	0.31	0.51
c	0.10	0.25	0.10	0.25
D	4.90 BSC		4.90 BSC	
E	6.00 BSC		6.00 BSC	
E1	3.90 BSC		3.90 BSC	
e	1.27 BSC		1.27 BSC	
L	0.40	1.27	0.40	1.27
h	0.25	0.50	0.25	0.50
θ°	0	8	0	8

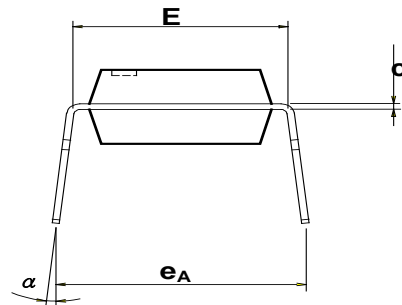
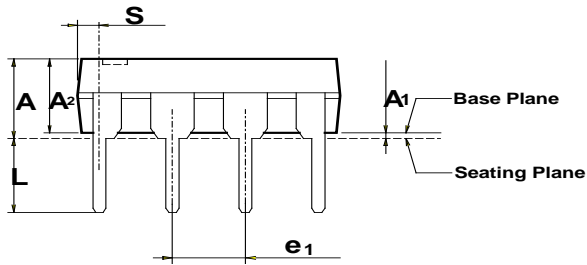
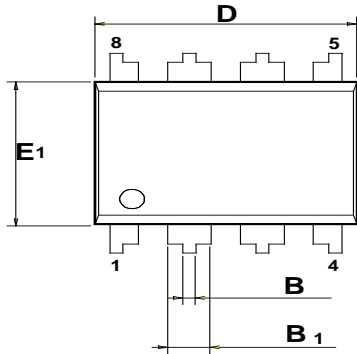
UNIT : mm

THERMALLY ENHANCED DIMENSIONS

PAD SIZE	E2		D1	
	MIN.	MAX.	MIN.	MAX.
90X90E	1.94	2.29	1.94	2.29

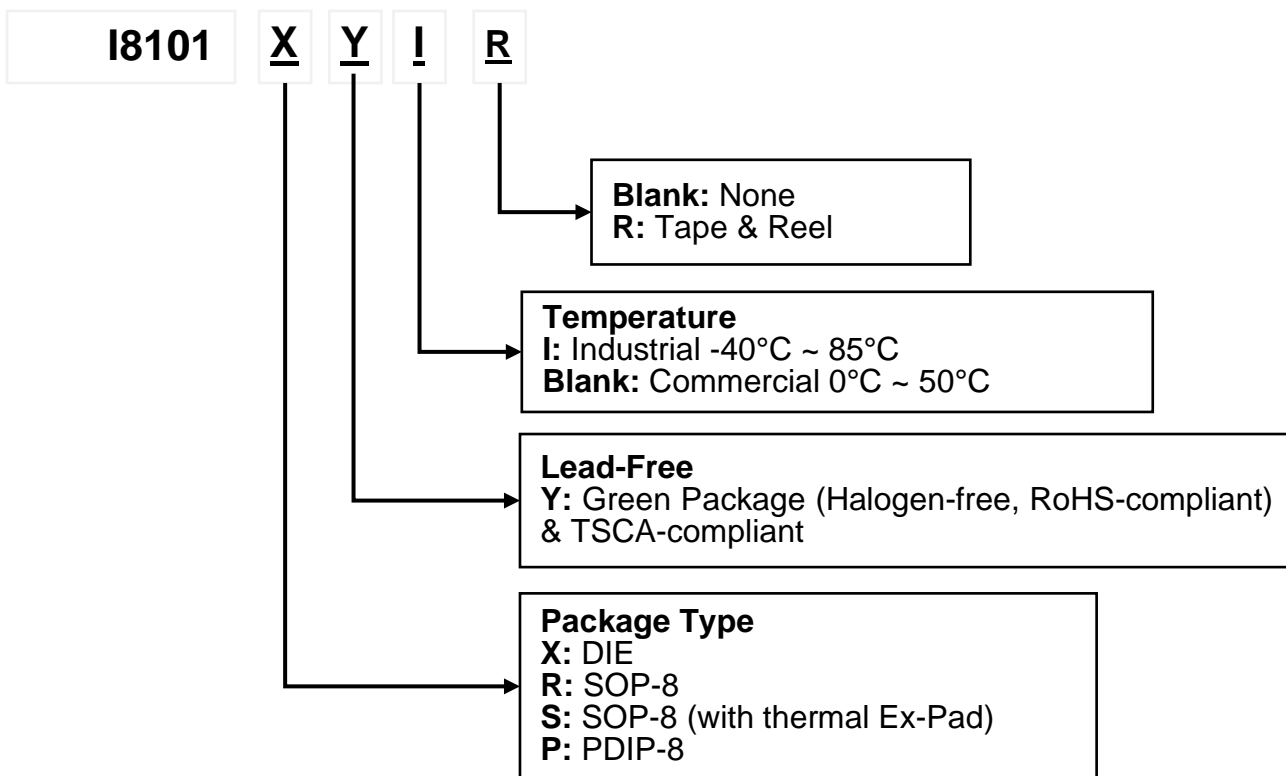


7.6 PDIP-8



Symbol	Dimension in inch			Dimension in mm		
	Min	Nom	Max	Min	Nom	Max
A	—	—	0.175	—	—	4.45
A₁	0.010	—	—	0.25	—	—
A₂	0.125	0.130	0.135	3.18	3.30	3.43
B	0.016	0.018	0.022	0.41	0.46	0.56
B₁	0.058	0.060	0.064	1.47	1.52	1.63
c	0.008	0.010	0.014	0.20	0.25	0.36
D	—	0.360	0.380	—	9.14	9.65
E	0.290	0.300	0.310	7.37	7.62	7.87
E₁	0.245	0.250	0.255	6.22	6.35	6.48
e₁	0.090	0.100	0.110	2.29	2.54	2.79
L	0.120	0.130	0.140	3.05	3.30	3.56
α	0	—	15	0	—	15
e_A	0.335	0.355	0.375	8.51	9.02	9.53
S	—	—	0.045	—	—	1.14

8 ORDERING INFORMATION



Part Number	Package	Temperature	Notes
I8101X	DIE	0°C ~ 50°C	
I8101RY	SOP-8	0°C ~ 50°C	
I8101RYI	SOP-8	-40°C ~ 85°C	
I8101SYI	SOP-8 (Thermal Pad)	-40°C ~ 85°C	
I8101SYIR	SOP-8 (Thermal Pad), Tape & Reel	-40°C ~ 85°C	T&R 2500 pcs
I8101PY	PDIP-8	0°C ~ 50°C	
I8101PYI	PDIP-8	0°C ~ 50°C	

9 REVISION HISTORY

REVISION	DATE	DESCRIPTION
1.0	Mar 10, 2010	Initial Release
1.1	Mar 16, 2010	Modified to show preliminary status
1.2	Jun 07, 2010	Added ordering option information
1.3	Jun 28, 2010	Added instructions/equations for application schematics
1.4	Dec 30, 2010	Added the simple application schematics
1.5	Jan 31, 2011	Modified the application schematics
1.6	Jun 30, 2011	Update the format
1.7	Oct 20, 2011	Update the ordering information
1.8	Nov 30, 2012	Added the SOP8 with thermal ex pad package specification; Operation temperature range changed
1.9	Jul 22, 2020	Update ordering information
2.0	Jul 27, 2020	Update document format/Ordering Information Page
2.1	Jun 28, 2021	Update Ordering Information
2.2	Feb 1, 2023	Update Halogen-free, RoHS-compliant and TSCA-compliant description

IMPORTANT NOTICE

Nuvoton Products are neither intended nor warranted for usage in systems or equipment, any malfunction or failure of which may cause loss of human life, bodily injury or severe property damage. Such applications are deemed, "Insecure Usage".

Insecure usage includes, but is not limited to: equipment for surgical implementation, atomic energy control instruments, airplane or spaceship instruments, the control or operation of dynamic, brake or safety systems designed for vehicular use, traffic signal instruments, all types of safety devices, and other applications intended to support or sustain life.

All Insecure Usage shall be made at customer's risk, and in the event that third parties lay claims to Nuvoton as a result of customer's Insecure Usage, customer shall indemnify the damages and liabilities thus incurred by Nuvoton.

*Please note that all data and specifications are subject to change without notice.
All the trademarks of products and companies mentioned in this datasheet belong to their respective owners.*