

## High Current Output Signal Isolated Amplifier

### Feature:

- Accuracy:0.1/0.2/0.5
- 4-20mA/0-5V/0-10V standard input signal
- 0-100mA/0-500mA/0-1A current signal output  
Or 0-1V(max 1A)/0-5V(max 500mA) voltage signal output
- Input/output isolation(3000VDC)
- Power supply:12VDC/15VDC/24VDC etc.
- Between power supply and output signal are non-isolated
- Standard DIN rail-mounted,industrial temperature : - 45 ~ + 80 deg.C

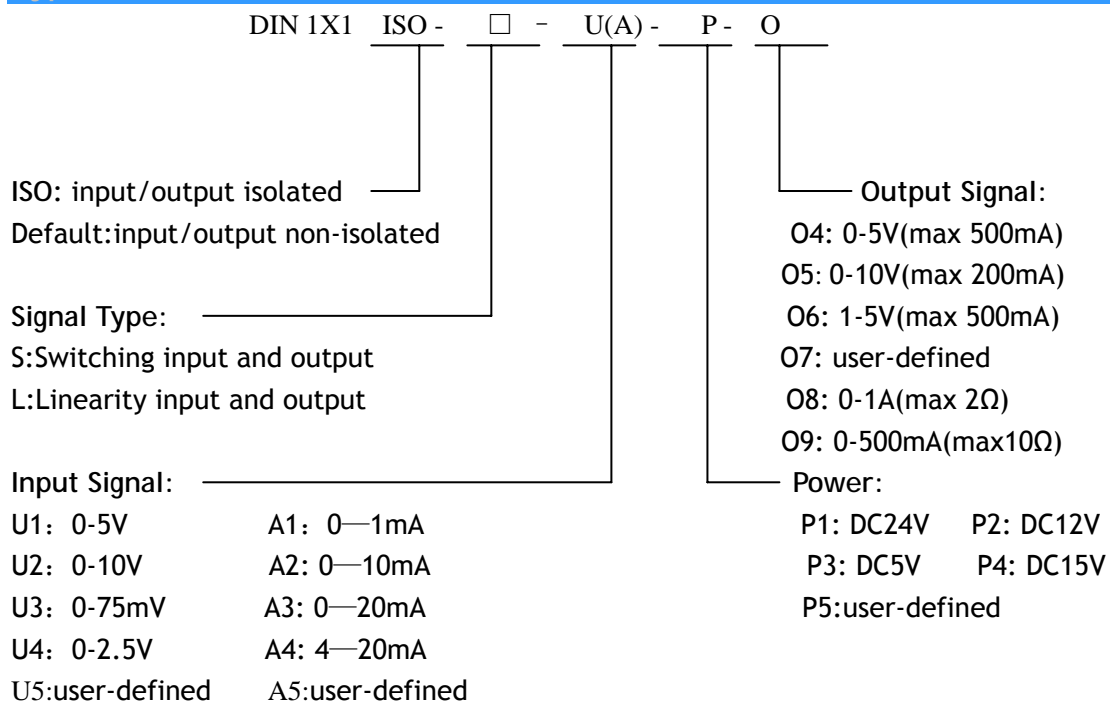
### Application:

- Industrial signal isolation and amplifier
- Current signal amplifier or strengthen voltage signal drive capability
- Electromagnetism valve or proportion valve linearity drivers.
- Magnistor linearity controller
- Electromagnetism drive coils or high power load
- Ground-loop elimination

### Description:

SUNYUAN DIN 1X1 ISO-□ - U(A) - P - O contains a group of high accuracy isolated amplifier circuit and a power amplifier circuit.It is widely used in current signal or voltage signal drive capability high need situation. Standard DIN rail-mounted,easy to use.

### Type Model:



**Examples:**

1. Input/output is non-isolated  
 signal type: Switching  
 Input Signal: 0-5V  
 Output signal: 0-5V, max 500mA  
 Power: 24V  
 Part No.: DIN 1X1 S-U1-P1-O4

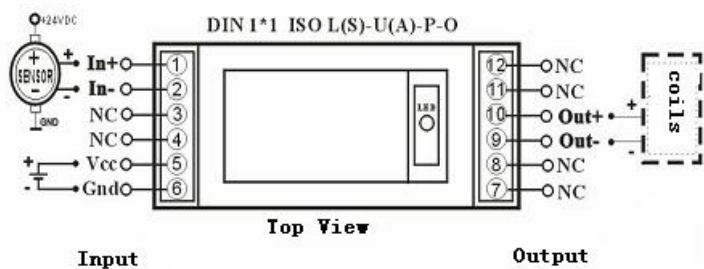
2. Input/output is isolated  
 signal type: Linearity  
 Input Signal: 4-20mA  
 Output signal: 0-1A, max: 2 ohm  
 Power: 5V  
 Part No.: DIN 1X1 ISO L-A4- P3-O8

**Technic parameter:**

- |  |  |
|--|--|
| Accuracy ----- 0.1/0.2/0.5                               | Response Time ----- $\leq 300\text{ms}$                |
| Power ----- DC5V、12V、24V, $\pm 10\%$                     | Power loss ----- $< 10\text{W}$                        |
| Input ----- voltage signal/current signal                | Temperature Drift ----- $200\text{ppm}/^\circ\text{C}$ |
| Load capability ----- $< 5\text{W}$                      | Isolation ----- signal input/signal output             |
| Operating temperature ----- $-25 \sim +70^\circ\text{C}$ | Insulated resistance ----- $\geq 20\text{M}\Omega$     |
| Operating humidity ----- 10 ~ 90%                        | Endure voltage ----- Input/output                      |
| Storage temperature ----- $-45 \sim +80^\circ\text{C}$   | 2500VDC, 1 minute, leak current 1mA                    |
| Storage humidity ----- 10 ~ 95%                          | Endure impact voltage ----- 3KV, 1.2/50us(peak value)  |

**PIN Function:**

PIN	Function	
1	In+	
2	In-	
3	NC	
4	NC	
5	Vcc	Power+
6	GND	Power-
7	NC	
8	NC	
9	Out-	
10	Out+	
11	NC	
12	NC	



Size:

