



ISP1130

Universal Serial Bus compound hub with integrated keyboard controller

Rev. 01 — 23 March 2000

Objective specification

1. General description

The ISP1130 integrates a Universal Serial Bus (USB) hub with a keyboard controller into a single chip, which complies with *Universal Serial Bus Specification Rev. 1.1* and the *USB Device Class Definition for Human Interface Devices (HID)*. The hub has 1 to 2 downstream ports and 1 to 3 non-removable embedded functions, one of which is dedicated to the keyboard operation. The hub controller is fully implemented in hardware, ensuring a fast response to host requests.

The integrated 5 V to 3.3 V regulator allows direct connection to the USB power supply V_{BUS} . The downstream ports are either bus-powered or hybrid-powered and can interface low-power USB devices such as a joystick or a mouse. ISP1130 uses SoftConnect™ technology to connect to the USB host upon detection of V_{BUS} . The low power consumption in 'suspend' mode allows easy design of equipment that is compliant with the ACPI™, OnNow™ and USB power management requirements.

The integrated keyboard controller is based on the 80C51 family and has 8 kbytes of mask ROM and 256 bytes of data RAM. The code memory is protected against reading by an external device. A built-in watchdog timer resets the device in case of a microcontroller hang-up. To reduce power consumption, the microcontroller can be put in sleep mode or power-down mode.

A serial I²C-bus interface is provided for optional access to an external EEPROM. This allows the user to program the vendor ID, product ID or activate the built-in keyboard matrix.

The ISP1130 has built-in overcurrent sense inputs, supporting individual and global overcurrent protection for downstream ports. All ports (including the hub) have GoodLink™ indicator outputs for easy visual monitoring of USB traffic. The ISP1130 has a reduced frequency (6 MHz) crystal oscillator to minimize Electro Magnetic Interference (EMI). These features allow significant cost savings in system design and easy implementation of advanced USB functionality into PC peripherals.

2. Features

- Compound USB hub device with integrated hub repeater, hub controller, Serial Interface Engine (SIE), data transceivers and 5 V to 3.3 V voltage regulator
- Complies with *Universal Serial Bus Specification Rev. 1.1* and *Device Class Definition for Human Interface Devices (HID)*
- Complies with ACPI, OnNow and USB power management requirements



PHILIPS

- Supports bus-powered and hybrid-powered application
- 1 to 2 downstream ports with automatic speed detection
- 1 to 3 non-removable embedded functions, 1 dedicated for keyboard operation
- 8 × 18 scan line matrix for HID compliant keyboard applications
- Integrated 80C51 microcontroller core with 8 kbytes mask ROM and 256 bytes data RAM
- On-chip watchdog timer for automatic fault recovery
- Internal power-on reset and low-voltage reset circuit
- Individual power switching for downstream ports
- Individual port overcurrent protection with built-in sense circuits
- 6 MHz crystal oscillator with on-chip PLL for low EMI
- Reduced power consumption by putting microcontroller in sleep mode or power-down mode
- Visual USB traffic monitoring (GoodLink) for hub and downstream ports
- I²C-bus interface to read vendor ID, product ID and configuration bits from external EEPROM
- Operation over the extended USB bus voltage range (4.0 to 5.5 V)
- Operating temperature range –40 to +85 °C
- Available in 56-pin SDIP and SSOP packages.

3. Ordering information

Table 1: Ordering information

Type number	Package		
	Name	Description	Version
ISP1130DL	SSOP56	plastic shrink small outline package; 56 leads; body width 7.5 mm	SOT371-1
ISP1130N	SDIP56	plastic shrink dual in-line package; 56 leads (600 mil)	SOT400-1

4. Block diagram

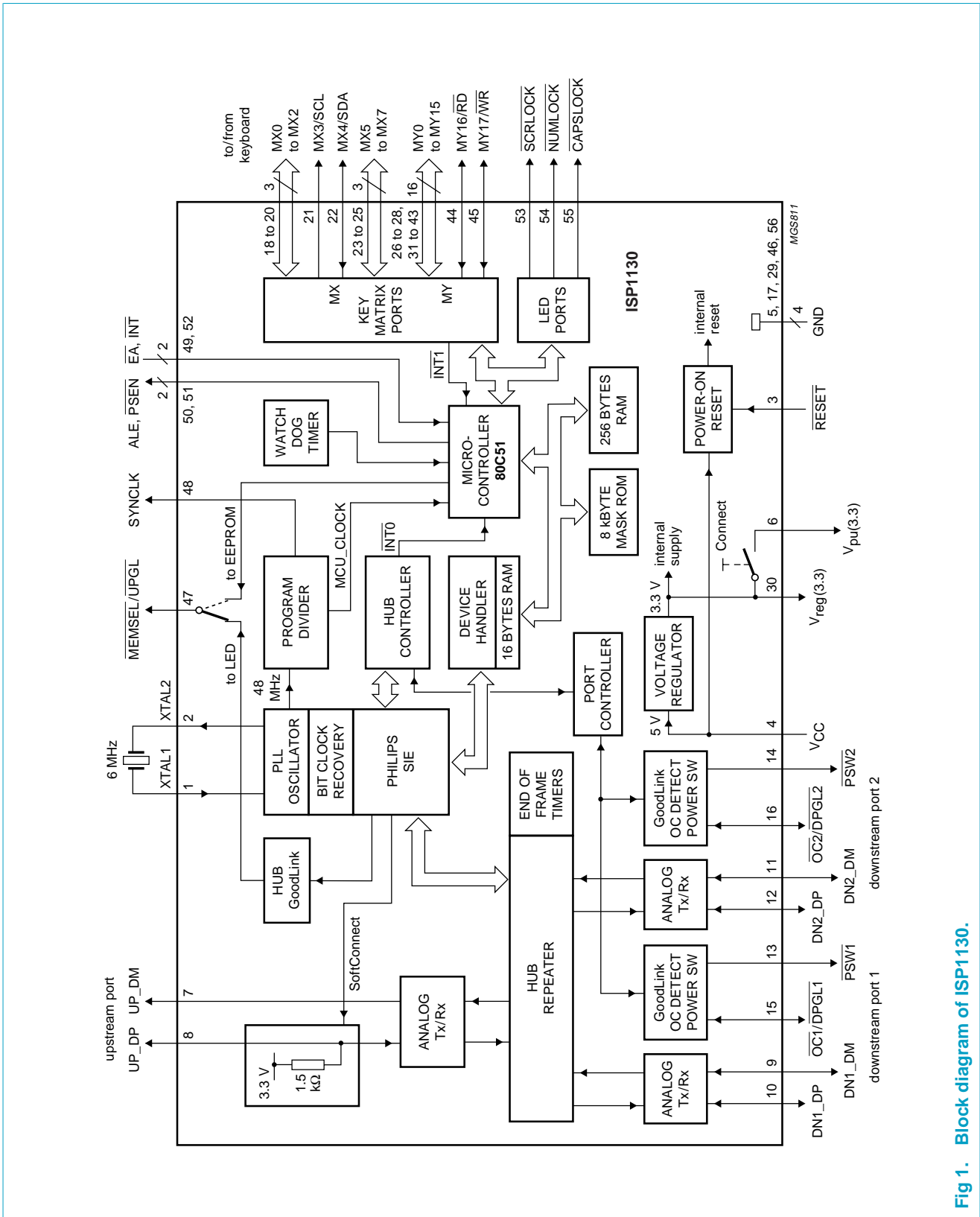


Fig 1. Block diagram of ISP1130.

5. Pinning information

5.1 Pinning

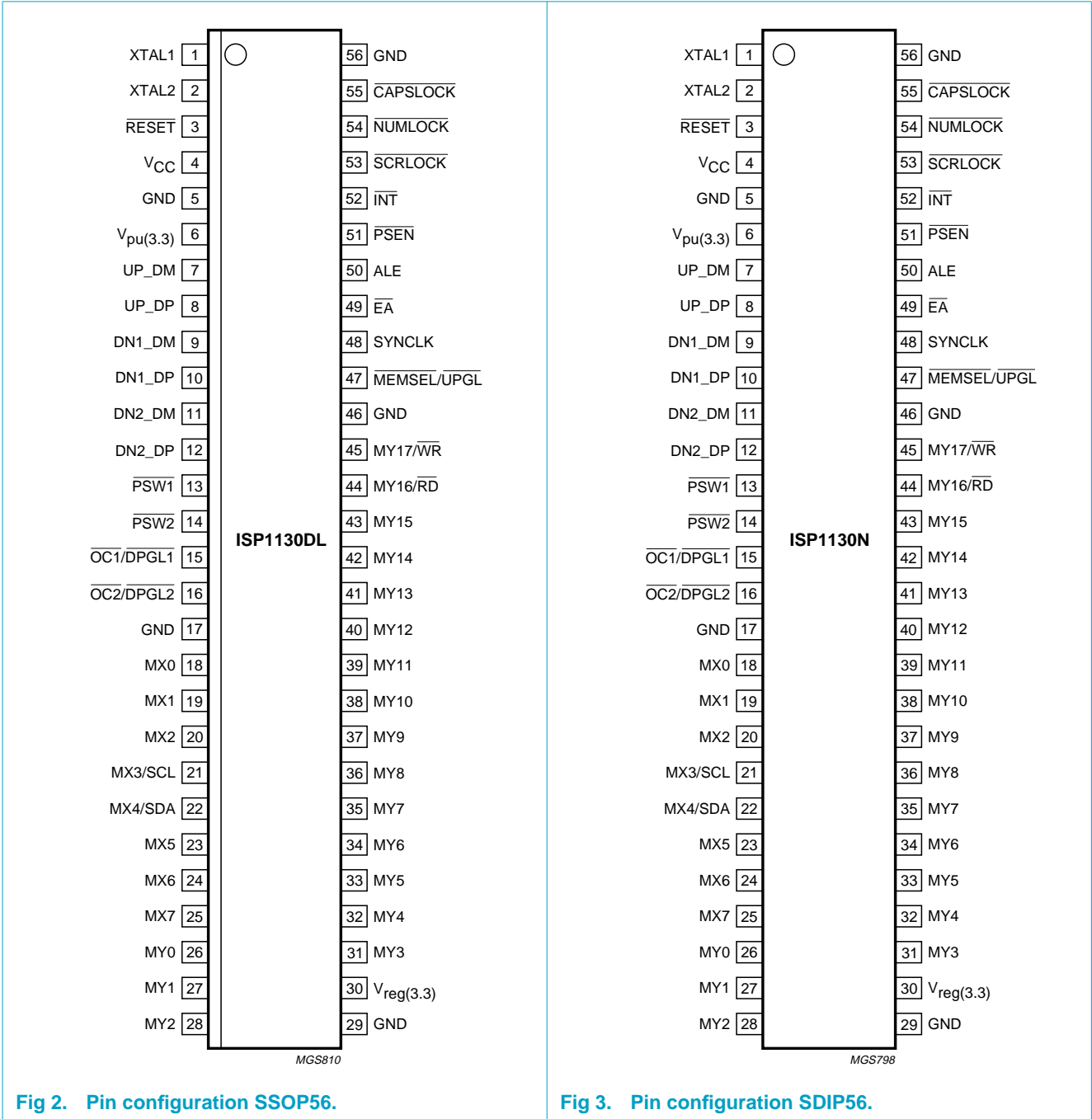


Fig 2. Pin configuration SSOP56.

Fig 3. Pin configuration SDIP56.

5.2 Pin description

Table 2: Pin description (SSOP56 and SDIP56)

Symbol ^[1]	Pin	Type	Description
XTAL1	1	I	crystal oscillator input (6 MHz)
XTAL2	2	O	crystal oscillator output (6 MHz)
$\overline{\text{RESET}}$	3	I	reset input (Schmitt trigger); a LOW level produces an asynchronous reset; connect to V_{CC} for power-on reset (internal POR circuit)
V_{CC}	4	-	supply voltage; connect to USB supply V_{BUS}
GND	5	-	ground supply
$V_{pu(3.3)}$	6	-	regulated supply voltage ($3.3\text{ V} \pm 10\%$) from internal regulator; used to connect pull-up resistor on UP_DP line; pin function is controlled via the Device Status Register (see Table 36): Connect = 0 — $V_{pu(3.3)}$ floating (high impedance) Connect = 1 — $V_{pu(3.3)} = 3.3\text{ V}$
UP_DM	7	A/O	upstream port D- connection (analog)
UP_DP	8	A/O	upstream port D+ connection (analog)
DN1_DM	9	A/O	downstream port 1 D- connection (analog)
DN1_DP	10	A/O	downstream port 1 D+ connection (analog)
DN2_DM	11	A/O	downstream port 2 D- connection (analog)
DN2_DP	12	A/O	downstream port 2 D+ connection (analog)
$\overline{\text{PSW1}}$	13	O	power switch control output for downstream port 1 (open-drain)
$\overline{\text{PSW2}}$	14	O	power switch control output for downstream port 2 (open-drain)
$\overline{\text{OC1/DPGL1}}$	15	A/O	pin function is controlled via the USBCON register (see Table 53): EnableOverCurrent = 0 — GoodLink LED indicator output for downstream port 1 (analog, open-drain); to connect an LED use a $330\ \Omega$ series resistor EnableOverCurrent = 1 — overcurrent sense input for downstream port 1 (analog or digital); overcurrent sensing can be either analog (AnalogOCDisable = 0) or digital (AnalogOCDisable = 1)
$\overline{\text{OC2/DPGL2}}$	16	A/O	pin function is controlled via the USBCON register (see Table 53): EnableOverCurrent = 0 — GoodLink LED indicator output for downstream port 2 (analog, open-drain); to connect an LED use a $330\ \Omega$ series resistor EnableOverCurrent = 1 — overcurrent sense input for downstream port 2 (analog or digital); overcurrent sensing can be either analog (AnalogOCDisable = 0) or digital (AnalogOCDisable = 1)
GND	17	-	ground supply
MX0	18	I	keyboard matrix return line (5 V tolerant, open drain) ^[2]
MX1	19	I	keyboard matrix return line (5 V tolerant, open drain) ^[2]

Table 2: Pin description (SSOP56 and SDIP56)...continued

Symbol ^[1]	Pin	Type	Description
MX2	20	I	keyboard matrix return line (5 V tolerant, open drain) ^[2]
MX3/SCL	21	I/O	pin function is controlled via the I2C0CON register (see Table 76): ENS1 = 0 — keyboard matrix return line (5 V tolerant, open drain) ^[2] ENS1 = 1 — I ² C-bus clock output (5 V tolerant, open drain) ^[2]
MX4/SDA	22	I/O	pin function is controlled via the I2C0CON register (see Table 76): ENS1 = 0 — keyboard matrix return line (5 V tolerant, open drain) ^[2] ENS1 = 1 — bidirectional I ² C-bus data line (5 V tolerant, open drain) ^[2]
MX5	23	I	keyboard matrix return line (5 V tolerant, open drain) ^[2]
MX6	24	I	keyboard matrix return line (5 V tolerant, open drain) ^[2]
MX7	25	I	keyboard matrix return line (5 V tolerant, open drain) ^[2]
MY0	26	I/O	bidirectional keyboard matrix scan line (5 V tolerant) ^[3]
MY1	27	I/O	bidirectional keyboard matrix scan line (5 V tolerant) ^[3]
MY2	28	I/O	bidirectional keyboard matrix scan line (5 V tolerant) ^[3]
GND	29	-	ground supply
V _{reg(3.3)}	30	-	regulated supply voltage (3.3 V ± 10%) from internal regulator; used to supply external devices
MY3	31	I/O	bidirectional keyboard matrix scan line (5 V tolerant) ^[3]
MY4	32	I/O	bidirectional keyboard matrix scan line (5 V tolerant) ^[3]
MY5	33	I/O	bidirectional keyboard matrix scan line (5 V tolerant) ^[3]
MY6	34	I/O	bidirectional keyboard matrix scan line (5 V tolerant) ^[3]
MY7	35	I/O	bidirectional keyboard matrix scan line (5 V tolerant) ^[3]
MY8	36	I/O	bidirectional keyboard matrix scan line (5 V tolerant) ^[3]
MY9	37	I/O	bidirectional keyboard matrix scan line (5 V tolerant) ^[3]
MY10	38	I/O	bidirectional keyboard matrix scan line (5 V tolerant) ^[3]
MY11	39	I/O	bidirectional keyboard matrix scan line (5 V tolerant) ^[3]
MY12	40	I/O	bidirectional keyboard matrix scan line (5 V tolerant) ^[3]
MY13	41	I/O	bidirectional keyboard matrix scan line (5 V tolerant) ^[3]
MY14	42	I/O	bidirectional keyboard matrix scan line (5 V tolerant) ^[3]
MY15	43	I/O	bidirectional keyboard matrix scan line (5 V tolerant) ^[3]
MY16/ \overline{RD}	44	I/O	bidirectional keyboard matrix scan line (5 V tolerant) ^[3] ; used as read strobe when accessing external memory
MY17/ \overline{WR}	45	I/O	bidirectional keyboard matrix scan line (5 V tolerant) ^[3] ; used as write strobe when accessing external memory
GND	46	-	ground supply

Table 2: Pin description (SSOP56 and SDIP56)...continued

Symbol ^[1]	Pin	Type	Description
MEMSEL/ UPGL	47	O	pin function is controlled via the USBCON register (see Table 53): GL-MEMSELSelection = 0 — upstream port GoodLink indicator output (open-drain) GL-MEMSELSelection = 1 — chip select output for external serial EEPROM (open-drain)
SYNCLK	48	O	embedded microcontroller clock output; used for emulation
\overline{EA}	49	I	External Address enable input (internal pull-up); used to access external memory
ALE	50	O	Address Latch Enable output; used to demultiplex AD0 during external memory access
\overline{PSEN}	51	O	Program Store ENable output; selects external memory for program execution
\overline{INT}	52	I	external interrupt input (edge-triggered)
$\overline{SCRLOCK}$	53	O	control output for Scroll Lock LED (open-drain)
$\overline{NUMLOCK}$	54	O	control output for Num Lock LED (open-drain)
$\overline{CAPSLOCK}$	55	O	control output for Caps Lock LED (open-drain)
GND	56	-	ground supply

[1] Symbol names with an overscore (e.g. \overline{NAME}) indicate active LOW signals.

[2] MXn pins have an internal 8.2 k Ω pull-up resistor.

[3] MYn pins have an internal 82 k Ω pull-down resistor (keyboard matrix enabled) or an internal 8.2 k Ω pull-up resistor (keyboard matrix disabled). This is controlled by bit DisableKBDMatrix in the USBCON register, see Table 53.

6. Functional description

The ISP1130 is a compound USB hub with an integrated keyboard controller. It has 2 bus-powered downstream ports with 3 non-removable embedded functions, the first of which is dedicated to the keyboard function. The downstream ports can be used to connect low-speed or full-speed USB peripherals, such as a mouse, printer, another keyboard or another hub. The block diagram is shown in Figure 1.

The embedded functions have no external hardware connections. They provide USB endpoints for equipment functions implemented by a microcontroller. Each endpoint has an associated FIFO buffer in the on-board RAM, which can be accessed by the integrated microcontroller via memory mapped registers using special commands (see Section 9).

An optional serial I²C-bus interface (see Section 11) is provided for external EEPROM access, allowing the user to program the vendor ID, product ID or activate the built-in keyboard matrix.

6.1 80C51 microcontroller

An integrated 80C51 microcontroller serves as a keyboard controller. It has 8 kbytes of mask ROM and 256 bytes of RAM. The I/O ports have been configured as an 8×18 line scan matrix. Three LED control outputs are available for keyboard status indicators (Caps Lock, Num Lock and Scroll Lock). Interfacing to the USB hub is done via 3 registers (command, data, status), which are accessible via the external data memory address space (MOVX instruction).

The keyboard firmware resides in the ROM and enumerates the embedded function as 'HID compatible keyboard device' during hub initialization.

The microcontroller runs on a 12 MHz clock, derived from the PLL oscillator. A watchdog timer resets the microcontroller in case of a software hang-up.

6.2 Analog transceivers

The integrated transceivers interface directly to the USB cables through external termination resistors. They are capable of transmitting and receiving serial data at both 'full-speed' (12 Mbit/s) and 'low-speed' (1.5 Mbit/s) data rates. The slew rates are adjusted according to the speed of the device connected and lie within the range mentioned in the *USB Specification Rev. 1.1*.

6.3 Philips Serial Interface Engine (SIE)

The Philips SIE implements the full USB protocol layer. It is completely hardwired for speed and needs no firmware intervention. The functions of this block include: synchronization pattern recognition, parallel/serial conversion, bit (de-)stuffing, CRC checking/generation, Packet Identifier (PID) verification/generation, address recognition, handshake evaluation/generation.

6.4 Hub repeater

The hub repeater is responsible for managing connectivity on a 'per packet' basis. It implements 'packet signalling' and 'resume' connectivity. Low-speed devices can be connected to downstream ports. If a low-speed device is detected the repeater will not propagate upstream packets to the corresponding port, unless they are preceded by a PREAMBLE PID.

6.5 End-of-frame timers

This block contains the specified EOF1 and EOF2 timers which are used to detect 'loss-of-activity' and 'babble' error conditions in the hub repeater. The timers also maintain the low-speed keep-alive strobe which is sent at the beginning of a frame.

6.6 General and individual port controller

The general and individual port controllers together provide status and control of individual downstream ports. Any port status change will be reported to the host via the hub status change (interrupt) endpoint.

6.7 GoodLink

Indication of a good USB connection is provided through GoodLink technology. An LED can be directly connected via an external $330\ \Omega$ resistor. The ISP1130 supports GoodLink indication for the hub (upstream port) via output $\overline{\text{MEMSEL}}/\text{UPGL}$ and for the two downstream ports via $\overline{\text{OCn}}/\text{DPGLn}$, controlled via bits GL-MEMSEL Selection and EnableOverCurrent in the USBCON register (see [Table 53](#)).

During enumeration the LED blinks momentarily. After successful configuration of the ISP1130, the LED is permanently on. The hub GoodLink indicator blinks off for approximately 128 ms when the hub receives a packet addressed to it. Downstream GoodLink indicators blink upon an acknowledgment from the associated port. In 'suspend' mode the LED is off.

This feature provides a user-friendly indication of the status of the hub, the connected downstream devices and the USB traffic. It is a useful diagnostics tool to isolate faulty USB equipment and helps to reduce field support and hotline costs.

6.8 SoftConnect

The connection to the USB is accomplished by bringing D+ (for full-speed USB devices) HIGH through a $1.5\ \text{k}\Omega$ pull-up resistor. In the ISP1130, the $1.5\ \text{k}\Omega$ pull-up resistor is integrated on-chip and by default is disconnected from the +3.3 V supply.

The integrated microcontroller controls the connection of the internal resistor on D+ to $V_{\text{pu}(3.3)}$ via bit SoftConnect_N in the USBCON register (see [Table 53](#)). Bit Connect in the Device Status register switches on $V_{\text{pu}(3.3)}$ (default is off) to an alternative external pull-up resistor. A functional schematic diagram is given in [Figure 4](#).

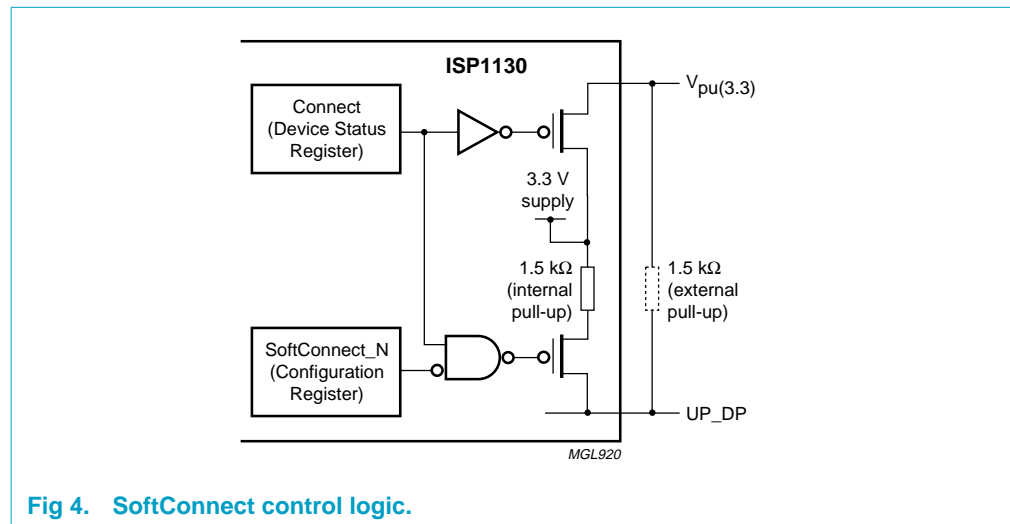


Fig 4. SoftConnect control logic.

This mechanism allows the microcontroller to complete its initialization sequence before deciding to establish connection to the USB. Re-initialization of the USB connection can also be performed without disconnecting the cable.

It should be noted that the tolerance of the internal resistors is higher (30%) than is specified by the USB specification (5%). However, the overall V_{SE} voltage specification for the connection can still be met with good margin (see [Table 92](#)). The decision to use this feature lies with the USB equipment designer.

6.9 Bit clock recovery

The bit clock recovery circuit recovers the clock from the incoming USB data stream using a 4× oversampling principle. It is able to track jitter and frequency drift as specified by the *USB Specification Rev. 1.1*.

6.10 Voltage regulator

A 5 to 3.3 V DC-DC regulator is integrated on-chip to supply the analog transceiver and internal logic. This can also be used to supply the terminal 1.5 kΩ pull-up resistor on the D+ line of the upstream connection.

6.11 PLL clock multiplier

A 6 to 48 MHz clock multiplier Phase-Locked Loop (PLL) is integrated on-chip. This allows for the use of low-cost 6 MHz crystals. The low crystal frequency also minimizes Electro-Magnetic Interference (EMI). The PLL requires no external components.

6.12 Overcurrent detection

An overcurrent detection circuit for downstream ports has been integrated on-chip. It is self-reporting, resets automatically, has a low trip time and requires no external components. The ISP1130 supports individual overcurrent detection.

6.13 Power-on reset

The ISP1130 has an internal power-on reset circuit, which generates a reset pulse when the supply voltage is switched on and when the supply voltage drops below a predetermined threshold value (see [Table 89](#)).

6.14 I²C-bus interface

A serial I²C-bus interface (single master or slave, bit rate up to 400 kHz) is provided to read vendor ID, product ID and other configuration data from an external EEPROM (e.g., Philips PCF8582 or equivalent). For more information, see [Section 11](#).

The I²C-bus interface timing is programmable and complies with the standard mode and the Fast mode of operation as described in *The I²C-bus and how to use it*, order number 9398 393 40011.

7. Endpoint descriptions

Each USB device is logically composed of several independent endpoints. An endpoint acts as a terminus of a communication flow between the host and the device. At design time each endpoint is assigned a unique number (endpoint identifier, see [Table 3](#)). The combination of the device address (given by the host during enumeration), the endpoint number and the transfer direction allows each endpoint to be uniquely referenced.

7.1 Endpoint configuration

The ISP1130 hub has 1 to 2 downstream ports and 1 to 3 embedded functions. The upstream and downstream ports are fully handled by hardware and require no firmware intervention. Downstream port 2 can be disabled by connecting both D+ and D- to V_{CC}.

The number of embedded functions can be configured from 1 to 3 via the USBCONA register. These embedded functions give access to the keyboard controller and other optional software functions. The functions are assigned as follows:

- Embedded function 1: standard keyboard
- Embedded function 2:
 - multimedia functions (e.g. volume control)
 - ACPI system control
 - application launch keys
- Embedded function 3: user-defined functions.

Each embedded function has two endpoint types: endpoint 0 (control) and endpoint 1 (generic: bulk and/or interrupt). The embedded function endpoints can handle a maximum of 8 bytes per transfer.

Table 3: Endpoint allocation

Function	Ports	Endpoint identifier	Transfer type	Endpoint index	Direction ^[1]	Max. packet size (bytes)
Hub	0: upstream	0	control	- ^[2]	OUT	64
	1, 2 ^[4] :			- ^[2]	IN	64
	downstream	1	interrupt	- ^[2]	IN	1
Embedded Function 1	3 (or 2 ^[5])	0	control	0	OUT	8
				1	IN	8
		1	generic ^[3]	2	OUT	8
				3	IN	8
Embedded Function 2	4 (or 3 ^[5])	0	control	4	OUT	8
				5	IN	8
		1	generic ^[3]	6	OUT	8
				7	IN	8

Table 3: Endpoint allocation...continued

Function	Ports	Endpoint identifier	Transfer type	Endpoint index	Direction ^[1]	Max. packet size (bytes)
Embedded Function 3	5 (or 4 ^[5])	0	control	8	OUT	8
				9	IN	8
		1	generic ^[3]	10	OUT	8
				11	IN	8

- [1] IN: input for the USB host; OUT: output from the USB host.
- [2] Hub endpoints are not indexed.
- [3] Generic endpoint can be used as bulk or interrupt endpoint.
- [4] Port 2 can be disabled by connecting both D+ and D- to V_{CC}.
- [5] The port number is reduced by 1 when downstream port 2 is disabled.

7.2 Hub endpoint 0 (control)

All USB devices and functions must implement a default control endpoint (ID = 0). This endpoint is used by the host to configure the device and to perform generic USB status and control access.

The ISP1130 hub supports the following USB descriptor information through its control endpoint 0, which can handle transfers of 64 bytes maximum:

- Device descriptor
- Configuration descriptor
- Interface descriptor
- Endpoint descriptor
- Hub descriptor
- String descriptor.

7.3 Hub endpoint 1 (interrupt)

Endpoint 1 is used by the ISP1130 hub to provide port status change information to the host. This endpoint can be accessed only after the hub has been configured by the host (by sending the Set Configuration command).

Endpoint 1 is an interrupt endpoint: the host polls it once every 255 ms by sending an IN token. If the hub has detected no change in the port status it returns a NAK (Not Acknowledge) response to this request, otherwise it sends the Status Change byte (see [Table 4](#)).

Table 4: Status Change byte: bit allocation

Bit	Symbol	Description
0	Hub SC	a logic 1 indicates a status change on the hub's upstream port
1	Port 1 SC	a logic 1 indicates a status change on downstream port 1
2	Port 2 SC	a logic 1 indicates a status change on downstream port 2 or on embedded function 1 (downstream port 2 disabled)
3	Port 3 SC	a logic 1 indicates a status change on embedded function 1 or on embedded function 2 (downstream port 2 disabled)

Table 4: Status Change byte: bit allocation...continued

Bit	Symbol	Description
4	Port 4 SC	a logic 1 indicates a status change on embedded function 2 or on embedded function 3 (downstream port 2 disabled)
5	Port 5 SC	a logic 1 indicates a status change on embedded function 3; not used if downstream port 2 is disabled
6	reserved	not used
7	reserved	not used

8. Host requests

The ISP1130 handles all standard USB requests from the host via control endpoint 0. The control endpoint can handle a maximum of 64 bytes per transfer.

Remark: Please note that the USB data transmission order is Least Significant Bit (LSB) first. In the following tables multi-byte variables are displayed least significant byte first.

8.1 Standard requests

Table 5 shows the supported standard USB requests. Some requests are explicitly unsupported. All other requests will be responded with a STALL packet.

Table 5: Standard USB requests

Request name	bmRequestType byte 0 [7:0] (Bin)	bRequest byte 1 (Hex)	wValue byte 2, 3 (Hex)	wIndex byte 4, 5 (Hex)	wLength byte 6, 7 (Hex)	Data
Address						
Set Address	X000 0000	05	address ^[1]	00, 00	00, 00	none
Configuration						
Get Configuration	1000 0000	08	00, 00	00, 00	01, 00	configuration value = 01H
Set Configuration (0)	X000 0000	09	00, 00	00, 00	00, 00	none
Set Configuration (1)	X000 0000	09	01, 00	00, 00	00, 00	none
Descriptor						
Get Configuration Descriptor	1000 0000	06	00, 02	00, 00	length ^[2]	configuration, interface and endpoint descriptors
Get Device Descriptor	1000 0000	06	00, 01	00, 00	length ^[2]	device descriptor
Get String Descriptor (0)	1000 0000	06	00, 03	00, 00	length ^[2]	language ID string
Get String Descriptor (1)	1000 0000	06	01, 03	09, 04	length ^[2]	manufacturer string
Get String Descriptor (2)	1000 0000	06	02, 03	09, 04	length ^[2]	product string

Table 5: Standard USB requests...continued

Request name	bmRequestType byte 0 [7:0] (Bin)	bRequest byte 1 (Hex)	wValue byte 2, 3 (Hex)	wIndex byte 4, 5 (Hex)	wLength byte 6, 7 (Hex)	Data
Feature						
Clear Device Feature (REMOTE_WAKEUP)	X000 0000	01	01, 00	00, 00	00, 00	none
Clear Endpoint (1) Feature (HALT/STALL)	X000 0010	01	00, 00	81, 00	00, 00	none
Set Device Feature (REMOTE_WAKEUP)	X000 0000	03	01, 00	00, 00	00, 00	none
Set Endpoint (1) Feature (HALT/STALL)	X000 0010	03	00, 00	81, 00	00, 00	none
Status						
Get Device Status	1000 0000	00	00, 00	00, 00	02, 00	device status
Get Interface Status	1000 0001	00	00, 00	00, 00	02, 00	zero
Get Endpoint (0) Status	1000 0010	00	00, 00	00/80 ^[3] , 00	02, 00	endpoint 0 status
Get Endpoint (1) Status	1000 0010	00	00, 00	81, 00	02, 00	endpoint 1 status
Unsupported						
Set Descriptor	0000 0000	07	XX, XX	XX, XX	XX, XX	descriptor; STALL
Get Interface	1000 0001	0A	00, 00	XX, XX	01, 00	STALL
Set Interface	X000 0001	0B	XX, XX	XX, XX	00, 00	STALL
Synch Frame	1000 0010	0C	00, 00	XX, XX	02, 00	STALL

[1] Device address: 0 to 127.

[2] Returned value in bytes.

[3] MSB specifies endpoint direction: 0 = OUT, 1 = IN. The ISP1130 accepts either value.

8.2 Hub specific requests

In [Table 6](#) the supported hub specific requests are listed, as well as some unsupported requests. [Table 7](#) provides the feature selectors for setting or clearing port features.

Table 6: Hub specific requests

Request name	bmRequestType byte 0 [7:0] (Bin)	bRequest byte 1 (Hex)	wValue byte 2, 3 (Hex)	wIndex byte 4, 5 (Hex)	wLength byte 6, 7 (Hex)	Data
Descriptor						
Get Hub Descriptor	1010 0000	06	00, 00/29 ^[1]	00, 00	length ^[2] , 00	hub descriptor
Feature						
Clear Hub Feature (C_LOCAL_POWER)	X010 0000	01	00, 00	00, 00	00, 00	none
Clear Port Feature (feature selectors)	X010 0011	01	feature ^[3] , 00	port ^[4] , 00	00, 00	none
Set Port Feature (feature selectors)	X010 0011	03	feature ^[3] , 00	port ^[4] , 00	00, 00	none

Table 6: Hub specific requests...continued

Request name	bmRequestType byte 0 [7:0] (Bin)	bRequest byte 1 (Hex)	wValue byte 2, 3 (Hex)	wIndex byte 4, 5 (Hex)	wLength byte 6, 7 (Hex)	Data
Status						
Get Hub Status	1010 0000	00	00, 00	00, 00	04, 00	hub status and status change field
Get Port Status	1010 0011	00	00, 00	port ^[4] , 00	04, 00	port status
Unsupported						
Get Bus Status	1010 0011	02	00, 00	port ^[4] , 00	01, 00	STALL
Clear Hub Feature (C_OVER_CURRENT)	X010 0000	01	01, 00	00, 00	00, 00	STALL
Set Hub Descriptor	X010 0000	07	XX, XX	00, 00	3E, 00	STALL
Set Hub Feature (C_LOCAL_POWER)	X010 0000	03	00, 00	00, 00	00, 00	STALL
Set Hub Feature (C_OVER_CURRENT)	X010 0000	03	01, 00	00, 00	00, 00	STALL

[1] USB Specification Rev. 1.0 uses 00H, USB Specification Rev. 1.1 specifies 29H.

[2] Returned value in bytes.

[3] Feature selector value, see Table 7.

[4] Downstream port identifier: 1 to 5 (1, 2: downstream ports, 3 to 5: embedded functions 1 to 3). If downstream port 2 is disabled, the port identifiers are 1 to 4 (1: downstream port, 2 to 4: embedded functions 1 to 3).

Table 7: Port feature selectors

Feature selector name	Value (Hex)	Set feature	Clear feature
PORT_CONNECTION	00	not used	not used
PORT_ENABLE	01	not used	disables a port
PORT_SUSPEND	02	suspends a port	resumes a port
PORT_OVERCURRENT	03	not used	not used
PORT_RESET	04	resets and enables a port	not used
PORT_POWER	08	powers on a port	powers off a port
PORT_LOW_SPEED	09	not used	not used
C_PORT_CONNECTION	10	not used	clears port connection change bit
C_PORT_ENABLE	11	not used	clears port enable change bit
C_PORT_SUSPEND	12	not used	clears port suspend change bit
C_PORT_OVERCURRENT	13	not used	clears port overcurrent change bit
C_PORT_RESET	14	not used	clears port reset change bit

8.3 Descriptors

The ISP1130 hub controller supports the following standard USB descriptors:

- Device
- Configuration
- Interface
- Endpoint
- Hub
- String.

Table 8: Device descriptor

Values in square brackets are optional.

Offset (bytes)	Field name	Size (bytes)	Value (Hex)	Comments
0	bLength	1	12	descriptor length = 18 bytes
1	bDescriptorType	1	01	type = DEVICE
2	bcdUSB	2	10, 01	USB Specification Rev. 1.1
4	bDeviceClass	1	09	HUB_CLASSCODE
5	bDeviceSubClass	1	00	-
6	bDeviceProtocol	1	00	-
7	bMaxPacketSize0	1	40	packet size = 64 bytes
8	idVendor	2	VID	vendor ID; programmable via the Set VID/PID command (see Table 43)
10	idProduct	2	PID	product ID; programmable via the Set VID/PID command (see Table 43)
12	bcdDevice	2	00, XX ^[1]	device release 1.0 (XX = 01H); silicon revision increments this value
14	iManufacturer	1	00 [01]	no manufacturer string (default) manufacturer string enabled ^[2]
15	iProduct	1	00 [02]	no product string (default) product string enabled ^[2]
16	iSerialNumber	1	00	no serial number string
17	bNumConfigurations	1	01	one configuration

[1] XX represents the hardware setting DEVREV, which indicates the 8-bit device release number. This value is incremented upon silicon revision.

[2] Controlled via bit StringDescriptorEnable in the Set Mode command (see Table 25).

Table 9: Configuration descriptor

Values in square brackets are optional.

Offset (bytes)	Field name	Size (bytes)	Value (Hex)	Comments
0	bLength	1	09	descriptor length = 9 bytes
1	bDescriptorType	1	02	type = CONFIGURATION
2	wTotalLength	2	19, 00	total length of configuration, interface and endpoint descriptors (25 bytes)
4	bNumInterfaces	1	01	one interface

Table 9: Configuration descriptor...continued

Values in square brackets are optional.

Offset (bytes)	Field name	Size (bytes)	Value (Hex)	Comments
5	bConfigurationValue	1	01	configuration value = 1
6	iConfiguration	1	00	no configuration string
7	bmAttributes	1	A0	bus-powered with remote wake-up (default)
			[E0]	hybrid-powered with remote wake-up; configured via bit 7 in the USBCON register (see Table 53)
8	MaxPower ^[1]	1	32	100 mA

[1] Value in units of 2 mA.

Table 10: Interface descriptor

Offset (bytes)	Field name	Size (bytes)	Value (Hex)	Comments
0	bLength	1	09	descriptor length = 9 bytes
1	bDescriptorType	1	04	type = INTERFACE
2	bInterfaceNumber	1	00	-
3	bAlternateSetting	1	00	no alternate setting
4	bNumEndpoints	1	01	status change (interrupt) endpoint
5	bInterfaceClass	1	09	HUB_CLASSCODE
6	bInterfaceSubClass	1	00	-
7	bInterfaceProtocol	1	00	no class-specific protocol
8	bInterface	1	00	no interface string

Table 11: Endpoint descriptor

Offset (bytes)	Field name	Size (bytes)	Value (Hex)	Comments
0	bLength	1	07	descriptor length = 7 bytes
1	bDescriptorType	1	05	type = ENDPOINT
2	bEndpointAddress	1	81	endpoint 1, direction: IN
3	bmAttributes	1	03	interrupt endpoint
4	wMaxPacketSize	2	01, 00	packet size = 1 byte
6	bInterval	1	FF	polling interval (255 ms)

Table 12: Hub descriptor

Offset (bytes)	Field name	Size (bytes)	Value (Hex)	Comments
0	bDescLength	1	09	descriptor length = 9 bytes
1	bDescriptorType	1	29	type = HUB
2	bNbrPorts	1	03 ^[2]	number of downstream ports (1 or 2; default = 2) + number of embedded functions (1 to 3; default = 1)

Table 12: Hub descriptor...continued

Offset (bytes)	Field name	Size (bytes)	Value (Hex)	Comments
3	wHubCharacteristics	2	0D, 00	individual power switching, individual overcurrent protection
			15, 00	individual power switching, no overcurrent protection
5	bPwrOn2PwrGood ^[1]	1	32	100 ms
6	bHubContrCurrent	1	64	maximum hub controller current (100 mA)
7	DeviceRemovable	1	08 ^[3]	downstream ports removable; embedded functions non-removable
8	PortPwrCtrlMask	1	FF	must be all ones for compatibility with <i>USB Specification Rev. 1.0</i>

[1] Value in units of 2 ms.

[2] Depending on the number of embedded functions configured, the value ranges from 03H to 05H or from 02H to 04H (downstream port 2 disabled).

Remark: Downstream port 2 can be disabled by connecting both D+ and D- to V_{CC}. Embedded functions are configured via the USBCONA register (see Table 55).

[3] Default value (08H): ports 1 and 2 removable, port 3 non-removable. The value can be 08H, 18H or 38H depending on the configured number of embedded functions (1, 2 or 3). When downstream port 2 is disabled, the possible values are 4CH, 0CH or 1CH (1, 2 or 3 embedded functions).

Table 13: String descriptors

String descriptors are optional and therefore disabled by default; they can be enabled via the Set Mode command (see Table 25).

Offset (bytes)	Field name	Size (bytes)	Value (Hex)	Comments
String descriptor (0): language ID string				
0	bLength	1	04	descriptor length = 4 bytes
1	bDescriptorType	1	03	type = STRING
2	bString	2	09, 04	LANGID code zero
String descriptor (1): manufacturer string				
0	bLength	1	2E	descriptor length = 46 bytes
1	bDescriptorType	1	03	type = STRING
2	bString	44	UC ^[1]	"Philips Semiconductors"
String descriptor (2): product string				
0	bLength	1	10	descriptor length = 16 bytes
1	bDescriptorType	1	03	type = STRING
2	bString	14	UC ^[1]	"ISP113X" ^[2] ; X = 0H for the ISP1130

[1] Unicode encoded string.

[2] X represents the hardware setting DEVNAME (4 bits), which specifies the final digit (X) in the device name string "ISP113X". The Unicode representation of this digit is "0000.0000.0011.DEVNAME".

8.4 Hub responses

This section describes the hub responses to requests from the USB host.

8.4.1 Get device status

The hub returns 2 bytes, see [Table 14](#).

Table 14: Get device status response

Bit #	Function	Value	Description
0	self-powered	0	bus-powered
		1	hybrid-powered
1	remote wake-up	0	no remote wake-up
		1	remote wake-up enabled
2 to 15	reserved	0	-

8.4.2 Get configuration

The hub returns 1 byte, see [Table 15](#).

Table 15: Get configuration response

Bit #	Function	Value	Description
0	configuration value	0	device not configured
		1	device configured
1 to 7	reserved	0	-

8.4.3 Get interface status

The hub returns 2 bytes, see [Table 16](#).

Table 16: Get interface status response

Bit #	Function	Value	Description
0 to 15	reserved	0	-

8.4.4 Get hub status

The hub returns 4 bytes, see [Table 17](#).

Table 17: Get hub status response

Bit #	Function	Value	Description
0	local power source	0	local power supply good
1	overcurrent indicator	0	no overcurrent condition
		1	hub overcurrent condition detected
2 to 15	reserved	0	-
16	local power status change	0	no change in local power status
17	overcurrent indicator change	0	no change in overcurrent condition
		1	overcurrent condition changed
18 to 31	reserved	0	-

8.4.5 Get port status

The hub returns 4 bytes. The first 2 bytes contain the port status bits (wPortStatus, see Table 18). The last 2 bytes hold the port status change bits (wPortChange, see Table 19).

Table 18: Get port status response (wPortStatus)

Bit #	Function	Value	Description
0	current connect status	0	no device present
		1	device present on this port
1	port enabled/disabled	0	port disabled
		1	port enabled
2	suspend	0	port not suspended
		1	port suspended
3	overcurrent indicator	0	no overcurrent condition
		1	overcurrent condition detected
4	reset	0	reset not asserted
		1	reset asserted
5 to 7	reserved	0	-
8	port power	0	port powered off
		1	port power on
9	low-speed device attached	0	full-speed device attached
		1	low-speed device attached
10 to 15	reserved	0	-

Table 19: Get port status response (wPortChange)

Bit #	Function	Value	Description
0	connect status change	0	no change in current connect status
		1	current connect status changed
1	port enabled/disabled change	0	no port error
		1	port disabled by a port error
2	suspend change	0	no change in suspend status
		1	resume complete
3	overcurrent indicator change	0	no change in overcurrent status
		1	overcurrent indicator changed
4	reset change	0	no change in reset status
		1	reset complete
5 to 15	reserved	0	-

8.4.6 Get configuration descriptor

The hub returns 25 bytes containing the configuration descriptor (9 bytes, see Table 9), the interface descriptor (9 bytes, see Table 10) and the endpoint descriptor (7 bytes, see Table 11).

8.4.7 Get device descriptor

The hub returns 18 bytes containing the device descriptor, see Table 8.

8.4.8 Get hub descriptor

The hub returns 9 bytes containing the hub descriptor, see [Table 12](#).

8.4.9 Get string descriptor (0)

The hub returns 4 bytes containing the language ID, see [Table 13](#).

8.4.10 Get string descriptor (1)

The hub returns 46 bytes containing the manufacturer name, see [Table 13](#).

8.4.11 Get string descriptor (2)

The hub returns 16 bytes containing the product name, see [Table 13](#).

9. Commands

There are three basic types of commands: Initialization, Data and General commands. Respectively, these are used to initialize the hub and the embedded functions; for data flow between the hub, embedded functions and the host; for controlling individual downstream ports; and general hub operation.

The embedded microcontroller has access to the hub functions via 3 dedicated control registers (Command, Data, Status), which are mapped to the external data memory address space of the 80C51. See [Section 10.4 “Hub control registers”](#).

A summary of the available commands is given in [Table 20](#). Some commands have the same command code (e.g., Read Buffer and Write Buffer). In these cases, the direction of the transaction (read or write) indicates which command is executed.

To execute a command, the specified code must be written to the Command register. Any following transaction data can then be read or written via the Data register.

Table 20: Command summary

Name	Destination	Code (Hex)	Transaction
Initialization commands			
Set Address/Enable	embedded function 1	D0	write 1 byte
	embedded function 2	D1	write 1 byte
	embedded function 3	D2	write 1 byte
Set Endpoint Enable	device	D8	write 1 byte
Set Mode	device	F3	write 2 bytes
Data flow commands			
Read Interrupt Register	device	F4	read 2 bytes
Select Endpoint	function 1 control OUT	00	read 1 byte (optional)
	function 1 control IN	01	read 1 byte (optional)
	function 1 endpoint OUT	02	read 1 byte (optional)
	function 1 endpoint IN	03	read 1 byte (optional)
	function 2 control OUT	04	read 1 byte (optional)
	function 2 control IN	05	read 1 byte (optional)
	function 2 endpoint OUT	06	read 1 byte (optional)
	function 2 endpoint IN	07	read 1 byte (optional)
	function 3 control OUT	08	read 1 byte (optional)
	function 3 control IN	09	read 1 byte (optional)
	function 3 endpoint OUT	0A	read 1 byte (optional)
	function 3 endpoint IN	0B	read 1 byte (optional)
Read Buffer	selected endpoint	F0	read n bytes
Write Buffer	selected endpoint	F0	write n bytes

Table 20: Command summary...continued

Name	Destination	Code (Hex)	Transaction
Select Endpoint/ Clear Interrupt	function 1 control OUT	40	read 1 byte
	function 1 control IN	41	read 1 byte
	function 1 endpoint OUT	42	read 1 byte
	function 1 endpoint IN	43	read 1 byte
	function 2 control OUT	44	read 1 byte
	function 2 control IN	45	read 1 byte
	function 2 endpoint OUT	46	read 1 byte
	function 2 endpoint IN	47	read 1 byte
	function 3 control OUT	48	read 1 byte
	function 3 control IN	49	read 1 byte
	function 3 endpoint OUT	4A	read 1 byte
	function 3 endpoint IN	4B	read 1 byte
Set Endpoint Status	function 1 control OUT	40	write 1 byte
	function 1 control IN	41	write 1 byte
	function 1 endpoint OUT	42	write 1 byte
	function 1 endpoint IN	43	write 1 byte
	function 2 control OUT	44	write 1 byte
	function 2 control IN	45	write 1 byte
	function 2 endpoint OUT	46	write 1 byte
	function 2 endpoint IN	47	write 1 byte
	function 3 control OUT	48	write 1 byte
	function 3 control IN	49	write 1 byte
	function 3 endpoint OUT	4A	write 1 byte
	function 3 endpoint IN	4B	write 1 byte
Clear Buffer	selected endpoint	F2	read 1 byte
Validate Buffer	selected endpoint	FA	none
General commands			
Read Device Status	device	FE	read 1 byte
Set Device Status	device	FE	write 1 byte
Read Current Frame Number	device	F5	read 1 or 2 bytes
Read Embedded Port Status	embedded function 1	E0	read 1 byte
	embedded function 2	E1	read 1 byte
	embedded function 3	E2	read 1 byte
Write Embedded Port Status	embedded function 1	E0	write 1 byte
	embedded function 2	E1	write 1 byte
	embedded function 3	E2	write 1 byte
Set VID/PID	device	FB	write 4 bytes
Read Chip ID	device	FD	read 2 bytes
Get Last Error	device	FF	read 1 byte

9.1 Initialization commands

Initialization commands are used during the enumeration process of the USB network. These commands are used to enable the hub and embedded function endpoints. They are also used to set the USB assigned address.

9.1.1 Set Address/Enable command

Sets the USB assigned address and enables the embedded function. This also enables the associated control endpoint. Embedded functions each must have a unique USB address.

Code (Hex) — D0 to D2 (embedded functions 1 to 3)

Transaction — write 1 byte.

Table 21: Set Address/Enable command: bit allocation

Bit	7	6	5	4	3	2	1	0
Symbol	DevEnable	DevAddress						
Reset	0	0	0	0	0	0	0	0
Access	W	W	W	W	W	W	W	W

Table 22: Set Address/Enable command: bit description

Bit	Symbol	Description
7	DevEnable	A logic 1 enables the embedded function
6 to 0	DevAddress	USB assigned address of the embedded function

9.1.2 Set Endpoint Enable command

Enables the specified endpoints of the hub and/or the embedded functions. The corresponding function must first be enabled via the Set Address/Enable command.

Code (Hex) — D8

Transaction — write 1 byte.

Table 23: Set Endpoint Enable command: bit allocation

Bit	7	6	5	4	3	2	1	0
Symbol	-	-	-	-	-	Func3 GenEndp Enable	Func2 GenEndp Enable	Func1 GenEndp Enable
Reset	X	X	X	X	X	0	0	0
Access	W	W	W	W	W	W	W	W

Table 24: Set Endpoint Enable command: bit description

Bit	Symbol	Description
7 to 3	-	reserved
2	Func3GenEndpEnable	A logic 1 enables the generic endpoint of embedded function 3
1	Func2GenEndpEnable	A logic 1 enables the generic endpoint of embedded function 2
0	Func1GenEndpEnable	A logic 1 enables the generic endpoint of embedded function 1

9.1.3 Set Mode command

Selects the operating mode and (de)activates features. The command is followed by one data write, containing the Configuration byte.

Code (Hex) — F3

Transaction — write 1 byte (Configuration).

Table 25: Set Mode command, Configuration byte: bit allocation

Bit	7	6	5	4	3	2	1	0
Symbol	-	Clock Restart	String Descriptor Enable	Remote WakeUp Enable	Always PLL Clock	Use IntDn Resistor	-	Interrupt OnNAK
Reset	X	0	0	0	0	0	0	1
Access	W	W	W	W	W	W	W	W

Table 26: Set Mode command, Configuration byte: bit description

Bit	Symbol	Description
7	-	reserved
6	ClockRestart	A logic 1 will cause a clock restart for 2 ms upon a bus transition, when the device is in 'suspend' mode. This allows the device to wake up without resume signaling.
5	StringDescriptorEnable	A logic 1 enables the string descriptor. The default string will be sent to the host upon request.
4	RemoteWakeUpEnable	A logic 1 enables remote wake-up by key press (embedded function 1).
3	AlwaysPLLClock	A logic 1 indicates that the internal clocks and PLL are always running, even in 'suspend' mode. A logic 0 stops the internal clock, crystal oscillator and PLL.
2	UseIntDnResistor	A logic 1 causes the downstream pull-down resistors to be connected.
1	-	reserved; must always be logic 0
0	InterruptOnNAK	A logic 1 will generate an interrupt upon sending a NAK. A logic 0 will only report successful transactions.

9.2 Data flow commands

Data flow commands are used to manage the data transmission between the USB endpoints and the embedded microcontroller. Much of the data flow is initiated via an interrupt to the microcontroller. The data flow commands are used to access the endpoints and determine whether the endpoint FIFOs contain valid data.

Remark: The IN buffer of an endpoint contains input data **for** the host, the OUT buffer receives output data **from** the host.

9.2.1 Read Interrupt Register command

Shows the source(s) of an interrupt to the microcontroller. After writing the command, two bytes are read which hold the interrupt register contents. Byte 1 contains the least significant bits (7 to 0), byte 2 the most significant bits (15 to 8).

Code (Hex) — F4

Transaction — read 2 bytes.

Remark: All hub endpoints are handled internally by the ISP1130 hardware without the need of microcontroller intervention.

Table 27: Interrupt Register: bit configuration

Bit	15	14	13	12	11	10	9	8
Symbol	Device StatusReg Change	Port5 StatusReg Change	Port4 StatusReg Change	Port3 StatusReg Change	Func3 Endp1 In	Func3 Endp1 Out	Func3 ContIn Endp	Func3 ContIOut Endp
Reset	0	0	0	0	0	0	0	0
Access	R	R	R	R	R	R	R	R
Bit	7	6	5	4	3	2	1	0
Symbol	Func2 Endp1 In	Func2 Endp1 Out	Func2 ContIn Endp	Func2 ContIOut Endp	Func1 Endp1 In	Func1 Endp1 Out	Func1 ContIn Endp	Func1 ContIOut Endp
Reset	0	0	0	0	0	0	0	0
Access	R	R	R	R	R	R	R	R

Table 28: Interrupt Register: bit description

Bit	Symbol	Description
Byte 2		
15	DeviceStatusRegChange	Status register change on hub device
14	Port5StatusRegChange	Status register change on embedded function 3
13	Port4StatusRegChange	Status register change on embedded function 2
12	Port3StatusRegChange	Status register change on embedded function 1
11	Func3Endp1In	Endpoint 1 IN of embedded function 3
10	Func3Endp1Out	Endpoint 1 OUT of embedded function 3
9	Func3ContInEndp	Control endpoint IN of embedded function 3
8	Func3ContIOutEndp	Control endpoint OUT of embedded function 3
Byte 1		
7	Func2Endp1In	Endpoint 1 IN of embedded function 2
6	Func2Endp1Out	Endpoint 1 OUT of embedded function 2
5	Func2ContInEndp	Control endpoint IN of embedded function 2
4	Func2ContIOutEndp	Control endpoint OUT of embedded function 2
3	Func1Endp1In	Endpoint 1 IN of embedded function 1
2	Func1Endp1Out	Endpoint 1 OUT of embedded function 1
1	Func1ContInEndp	Control endpoint IN of embedded function 1
0	Func1ContIOutEndp	Control endpoint OUT of embedded function 1

The interrupt register bits are cleared as follows:

- Reading the Device Status register resets the DeviceStatusRegChange bit
- Reading the Embedded Port Status register of a port resets the associated PortStatusRegChange bit
- The Select Endpoint/Clear Interrupt command clears the endpoint interrupt bits of the selected endpoint.

9.2.2 Select Endpoint command

Selects an endpoint and initializes an internal pointer to the start of the associated RAM buffer. Optionally, this command can be followed by a data read, which returns the status of the endpoint buffer (see [Table 29](#)).

Code (Hex) — 00 to 0B (endpoint index 0 to 11)

Transaction — read 1 byte (optional).

Table 29: Endpoint Buffer Status byte: bit allocation

Bit	7	6	5	4	3	2	1	0
Symbol	-	-	-	Sent NAK	Packet Overwritten	Setup Packet	Stall Status	Full Empty Status
Reset	X	X	X	0	0	0	0	0
Access	R	R	R	R	R	R	R	R

Table 30: Endpoint Buffer Status byte: bit description

Bit	Symbol	Description
7 to 5	-	reserved
4	SentNAK ^[1]	A logic 1 indicates that the device has sent a NAK. This bit is reset when the device returns an acknowledge (ACK) after receiving an OUT packet, or when it gets an ACK after sending an IN packet.
3	PacketOverwritten	A logic 1 indicates that the previous packet was overwritten by a Setup packet. This bit is reset by a Select Endpoint/Clear Interrupt command on this endpoint.
2	SetupPacket ^[2]	A logic 1 indicates that the last successfully received packet had a SETUP token. This bit is reset by a Select Endpoint/Clear Interrupt command on this endpoint.
1	StallStatus	A logic 1 indicates that the endpoint is in stalled state.
0	FullEmptyStatus	A logic 1 indicates that the buffer is full, a logic 0 indicates that it is empty.

[1] This bit is only defined for control endpoints; it is active only when the InterruptOnNAK feature has been enabled via the Set Mode command (see [Table 25](#)).

[2] This bit will be logic 0 for IN buffers (host packets are received via the OUT buffer).

9.2.3 Read Buffer command

Returns the data buffer contents of the selected endpoint. Following the command, a maximum of (N + 2) bytes can be read, N representing the size of the endpoint buffer (see [Table 3](#)). After each byte the internal buffer pointer is automatically incremented by 1. To reset the buffer pointer to the start of the buffer, use the Select Endpoint command.

Code (Hex) — F0

Transaction — read multiple bytes (max. N + 2, N = buffer size).

Reading a buffer may be interrupted by any other command (except for Select Endpoint). The data in the buffer are organized as shown in [Table 31](#).

Table 31: Endpoint buffer organization

Byte #	Bit 7	Bit 6	Bit 5	Bit 4	Bit 3	Bit 2	Bit 1	Bit 0
0	0/1 ^[1]	0/1 ^[2]	X	X	X	X	X	X
1	X	N (number of data bytes in the buffer)						
2	data byte 0							
...	...							
N + 2	data byte N – 1							

[1] A logic 1 indicates that the packet was successfully received via the USB bus.

[2] A logic 1 indicates that the packet in the buffer has a SETUP token.

9.2.4 Write Buffer command

Fills the data buffer of the selected endpoint. Following the command, a maximum of (N + 2) bytes may be written, N representing the size of the endpoint buffer (see Table 3). After each byte the internal buffer pointer is automatically incremented by 1. To reset the buffer pointer to the start of the buffer, use the Select Endpoint command.

Code (Hex) — F0

Transaction — write multiple bytes (max. N + 2, N = buffer size).

Writing a buffer may be interrupted by any other command (except for Select Endpoint). The data must be organized in the same way as shown in Table 31. Upon writing, the value of byte 0 must be zero.

Remark: There is no protection against writing or reading past a buffer's boundary, against writing into an OUT buffer or reading from an IN buffer. Any of these actions could cause an incorrect operation. Data residing in an OUT buffer are only meaningful after a successful transaction.

9.2.5 Select Endpoint/Clear Interrupt

Selects the endpoint and clears the associated interrupt. In case of a Control endpoint, it also clears the SetupPacket and PacketOverwritten status bits. A data read following the command returns the endpoint buffer status (see Table 29 and Table 30).

Code (Hex) — 40 to 4B (endpoint index 0 to 11)

Transaction — read 1 byte.

9.2.6 Clear Buffer command

Unlocks the buffer of the selected endpoint, allowing the reception of new packets. An optional data read may follow the command, returning the packet status (see Table 32).

Code (Hex) — F2

Transaction — read 1 byte (optional).

When a packet has been received successfully, an internal Buffer Full flag is set. Any subsequent packets will be refused by returning a NAK. After reading all data, the microcontroller must free the buffer using the Clear Buffer command.

Table 32: Packet Status byte: bit allocation

Bit	7	6	5	4	3	2	1	0
Symbol	-	-	-	-	-	-	-	Packet Overwritten
Reset	X	X	X	X	X	X	X	0
Access	R	R	R	R	R	R	R	R

Table 33: Packet Status byte: bit description

Bit	Symbol	Description
7 to 1	-	reserved
0	PacketOverwritten	A logic 1 indicates that the previous packet was overwritten by a Setup Packet. In that case the buffer is not cleared.

9.2.7 Validate Buffer command

Indicates the presence of valid data for transmission to the USB host.

Code (Hex) — FA

Transaction — none.

After writing data into an endpoint's IN buffer, the microcontroller must set the Buffer Full flag by means of the Validate Buffer command. This indicates that the data in the buffer are valid and can be sent to the host when the next IN token is received.

Remark: A control IN buffer cannot be validated when the Packet Overwritten bit of the corresponding OUT buffer is set.

9.2.8 Set Endpoint Status command

Stalls or unstalls the indicated endpoint.

Code (Hex) — 40 to 4B (endpoint index 0 to 11)

Transaction — write 1 byte.

A stalled control endpoint is automatically unstalled when it receives a SETUP token, regardless of the content of the packet. If the endpoint should stay in its stalled state, the microcontroller can re-stall it with the Set Endpoint Status command.

When a stalled endpoint is unstalled (either by the Set Endpoint Status command or by receiving a SETUP token), it is also re-initialized. This flushes the buffer: in and if it is an OUT buffer it waits for a DATA 0 PID, if it is an IN buffer it writes a DATA 0 PID.

Remark: A Set Endpoint Status command with a STALLED bit of logic 0 will always initialize the endpoint, even when it was not stalled.

Table 34: Set Endpoint Status command: bit allocation

Bit	7	6	5	4	3	2	1	0
Symbol	Conditional Stall	Rate Feedback Mode	Disable	-	-	-	-	Stalled
Reset	0	0	0	X	X	X	X	0
Access	W	W	W	W	W	W	W	W

Table 35: Set Endpoint Status command: bit description

Bit	Symbol	Description
7	ConditionalStall	A logic 1 stalls both endpoints of a Control endpoint (Endpoint identifier = 0), unless the Setup Packet bit is set. In that case the entire command is ignored.
6	RateFeedbackMode	A logic 1 switches an interrupt endpoint to 'rate feedback mode', a logic 0 enables 'toggle' mode.
5	Disable	A logic 1 disables the selected endpoint, a logic 0 enables it again. A bus reset (re-)enables all endpoints.
4 to 1	-	reserved
0	Stalled	A logic 1 stalls the selected endpoint. A logic 0 unstalls the endpoint and (re-)initializes it, whether it was stalled or not.

[1] A ConditionalStall does not work if the PacketOverwritten status bit is set.

9.3 General commands

9.3.1 Read Device Status

Returns the Device Status register contents, see [Table 36](#) and [Table 37](#). When the SuspendChange, ConnectChange or BusReset bit is logic 1, the corresponding bit in the Interrupt register is set and a microcontroller interrupt is generated.

Code (Hex) — FE

Transaction — read 1 byte.

9.3.2 Set Device Status

Changes the Device Status register. The contents of read-only bits are ignored.

Code (Hex) — FE

Transaction — write 1 byte.

Table 36: Device Status register: bit allocation

Bit	7	6	5	4	3	2	1	0
Symbol	-	-	-	Bus Reset	Suspend Change	Suspend	Connect Change	Connect
Reset	X	X	X	X	X	X	X	0
Access	W	W	W	R	R	R/W	R	R/W

Table 37: Device Status register: bit description

Bit	Symbol	Description
7 to 5	-	reserved
4	BusReset	A logic 1 signals that the device received a bus reset. Upon a bus reset the device will automatically enter its default state (unconfigured and responding to address 0). This bit is cleared when it is read.
3	SuspendChange	A logic 1 signals that the value of the Suspend bit has changed. The Suspend bit changes when the device enters 'suspend' mode or when it receives a 'resume' signal on its upstream port. This bit is cleared when it is read.

Table 37: Device Status register: bit description...continued

Bit	Symbol	Description
2	Suspend	Upon reading this bit indicates the current 'suspend' status: A logic 1 indicates that no activity occurred on the upstream port for more than 3 ms. Any activity on the upstream port will reset this bit to logic 0. Writing a logic 0 into this bit will generate a remote wake-up, if the device is suspended (Suspend = 1). Otherwise, writing a logic 0 has no effect. Remark: Writing a logic 1 never has any effect.
1	ConnectChange	A logic 1 signals that the value of the Connect bit has changed. This bit is cleared when it is read.
0	Connect	Writing a logic 1 causes the device to connect its pull-up resistor to the upstream port, a logic 0 disconnects the pull-up resistor. Upon reading this bit indicates the current 'connect' status.

9.3.3 Read Current Frame Number

Reports the frame number (11 bits) of the last successfully received Start Of Frame (SOF). It is followed by one or two data reads containing the frame number. Byte 1 contains the least significant bits of the frame number (bits 7 to 0), byte 2 holds the most significant bits (bits 10 to 8) padded with zeroes (see Table 38).

Code (Hex) — F5

Transaction — read 1 or 2 bytes.

Table 38: Frame number: bit allocation

Bit	15	14	13	12	11	10	9	8
Symbol	-	-	-	-	-	frame[10:8]		
Reset	0	0	0	0	0	0	0	0
Access	R	R	R	R	R	R	R	R
Bit	7	6	5	4	3	2	1	0
Symbol	frame[7:0]							
Reset	0	0	0	0	0	0	0	0
Access	R	R	R	R	R	R	R	R

9.3.4 Read Embedded Port Status

Returns the Embedded Port Status register contents, see Table 39 and Table 40. When the SuspendChange or BusReset bit is logic 1, the corresponding bit in the Interrupt register is set (see Table 27 and Table 28) and a microcontroller interrupt is generated. This command resets the SuspendChange, ConnectChange and BusReset bits.

Code (Hex) — E0 to E2 (embedded function 1 to 3)

Transaction — read 1 byte.

9.3.5 Write Embedded Port Status

Changes the Embedded Port Status register. Contents of read-only bits are ignored.

Code (Hex) — E0 to E2 (embedded function 1 to 3)

Transaction — write 1 byte.

Table 39: Embedded Port Status register: bit allocation

Bit	7	6	5	4	3	2	1	0
Symbol	-	-	-	Port Reset	Suspend Change	Suspend	Connect Change	Connect
Reset	X	X	X	0	0	0	0	0
Access	W	W	W	R	R	R/W	R	R/W

Table 40: Embedded Port Status register: bit description

Bit	Symbol	Description
7 to 5	-	reserved
4	PortReset	A logic 1 signals that a Set Port Feature (PORT_RESET) request was received by the embedded port. If this bit is logic 1, reading it will clear the bit, enable the embedded port and report the end of the reset to the host.
3	SuspendChange	A logic 1 signals that the value of the Suspend bit has changed. The Suspend bit changes when the device enters 'suspend' mode or when it receives a 'resume' signal on its upstream port. This bit is cleared when it is read.
2	Suspend	Upon reading this bit indicates the current 'suspend' status: A logic 1 indicates that the embedded port is suspended. Writing a logic 0 into this bit will generate a remote wake-up, if the embedded port is suspended (Suspend = 1). Otherwise, writing a logic 0 has no effect. Remark: Writing a logic 1 never has any effect.
1	ConnectChange	A logic 1 signals that the value of the Connect bit has changed. This bit is cleared when it is read.
0	Connect	Writing a logic 1 causes the embedded port to be connected, a logic 0 disconnects the embedded port. Upon reading this bit indicates the current 'connect' status.

9.3.6 Read Chip ID

Reports the chip identification code (12 bits), comprising the device release number DEVREV (see Table 8 "Device descriptor") and the last digit of the device name DEVNAME (see Table 13 "String descriptors"). Byte 1 contains the least significant bits of the chip identification code, byte 2 the most significant bits (see Table 41 and Table 42).

Code (Hex) — FD

Transaction — read 2 bytes.

Table 41: Chip identification code: bit allocation

Bit	15	14	13	12	11	10	9	8
Symbol	-	-	-	-		DEVNAME[3:0]		
Reset	0	0	0	0	0	0	0	1
Access	R	R	R	R	R	R	R	R
Bit	7	6	5	4	3	2	1	0
Symbol	DEVREV[7:0]							
Reset	0	0	0	0	0	0	0	0
Access	R	R	R	R	R	R	R	R

Table 42: Chip identification code: bit description

Bit	Symbol	Description
15 to 12	-	reserved
11 to 8	DEVNAME[3:0]	DEVNAME specifies the final digit (X) in the device name string “ISP113X”. The Unicode representation of this digit is “0000.0000.0011.DEVNAME”. For ISP1130 the value of X is 0H.
7 to 0	DEVREV[7:0]	DEVREV represents the 8-bit device release number (01H = release 1.0). This value is incremented upon silicon revision.

9.3.7 Set VID/PID

Modifies the vendor ID and the product ID codes, which are reported in the Device descriptor (see [Table 8](#)).

Code (Hex) — FB

Transaction — write 4 bytes.

Table 43: Set VID/PID command: data byte allocation

Byte	Description
0	vendor ID (lower byte)
1	vendor ID (upper byte)
2	product ID (lower byte)
3	product ID (upper byte)

9.3.8 Get Last Error

Reports the 4-bit error code of the last generated error. The bit ‘ErrorOccurred’ is refreshed upon each new packet transfer.

Code (Hex) — FF

Transaction — read 1 byte.

Table 44: Last error byte: bit allocation

Bit	7	6	5	4	3	2	1	0
Symbol	-	-	-	Error Occurred			ErrorCode[3:0]	
Reset	X	X	X	0	0	0	0	0
Access	R	R	R	R	R	R	R	R

Table 45: Register bits description

Bit	Symbol	Description
7 to 5	-	reserved
4	ErrorOccurred	A logic 1 indicates that the last packet generated an error.
3 to 0	ErrorCode[3:0]	error code; for error interpretation see Table 46 “Transaction error codes”

Table 46: Transaction error codes

Error code (Binary)	Description
0000	no error
0001	PID encoding error; bits 7 to 4 are not the inverse of bits 3 to 0
0010	PID unknown; encoding is valid, but PID does not exist
0011	unexpected packet; packet is not of the expected type (token, data, or acknowledge), or is a SETUP token to a non-control endpoint
0100	token CRC error
0101	data CRC error
0110	time-out error
0111	babble error
1000	unexpected end-of-packet
1001	sent or received NAK (Not Acknowledge)
1010	sent Stall; a token was received, but the endpoint was stalled
1011	overflow; the received packet was larger than the available buffer space
1100	sent empty packet (ISO only)
1101	bit stuffing error
1110	sync error
1111	wrong (unexpected) toggle bit in DATA PID; data was ignored

10. Keyboard controller

10.1 Microcontroller core

The integrated 80C51 microcontroller has 8 kbytes of mask ROM and 256 bytes of RAM. The I/O ports have been configured as an 8×18 line keyboard scan matrix. Interfacing to the USB hub is done via 3 registers (Command, Data, Status), which are accessible via the external data memory address space (MOVX instruction).

The keyboard firmware resides in the ROM and enumerates the embedded function as 'HID compatible keyboard device' during hub initialization.

The microcontroller runs on a 12 MHz clock (f_{MCU_CLOCK}), derived from the PLL oscillator. A watchdog timer resets the microcontroller in case of a software hang-up.

10.2 Memory map

10.2.1 Data memory

The internal data memory of ISP1130 is divided into two physically separate areas: 256 bytes RAM and 128 bytes of Special Function Registers (SFRs). Addressing is done as follows (see Figure 5):

- **RAM (00H to 7FH):** direct and indirect addressing; for indirect addressing registers R0 and R1 of the selected register bank are used as address pointers
- **RAM (80H to FFH):** indirect addressing, using registers R0 and R1 of the selected register bank as address pointers

- **SFRs (80H to FFH):** direct addressing
- **4 register banks (00H to 1FH):** direct addressing; only 1 register bank may be enabled at any time
- **Bit-addressable locations (20H to 2FH):** direct addressing; these 16 bytes can be used as 128 bit-addressable locations.

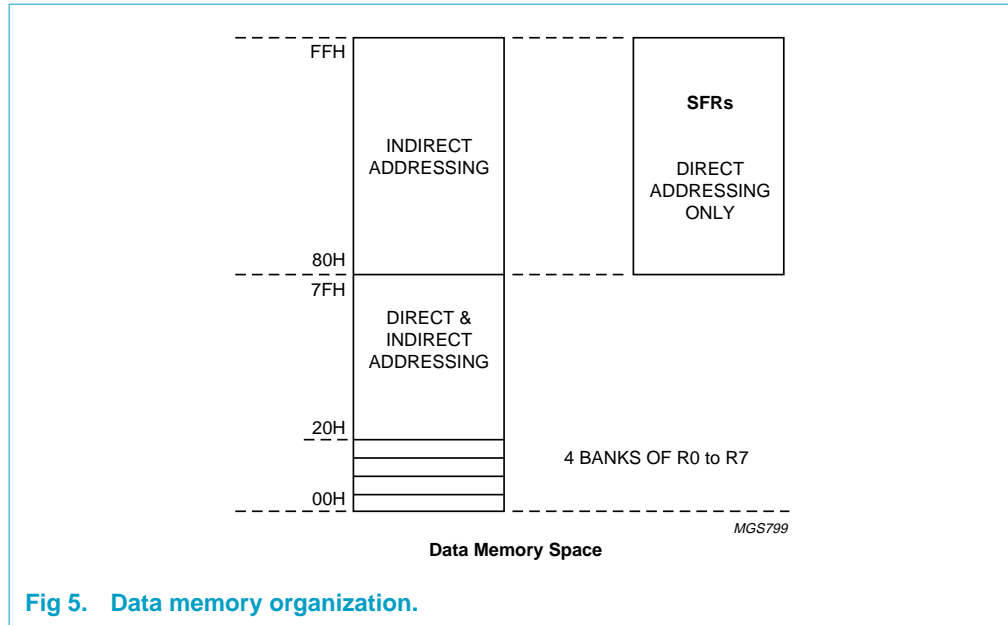


Fig 5. Data memory organization.

10.2.2 Program memory

The ISP1130 has 8 kbytes of masked ROM for storing the 80C51 operating software. In order to protect the ROM against illegal copying, execution of a MOVC instruction from external code memory has been blocked. Instead of reading the program memory, it accesses the on-chip data memory.

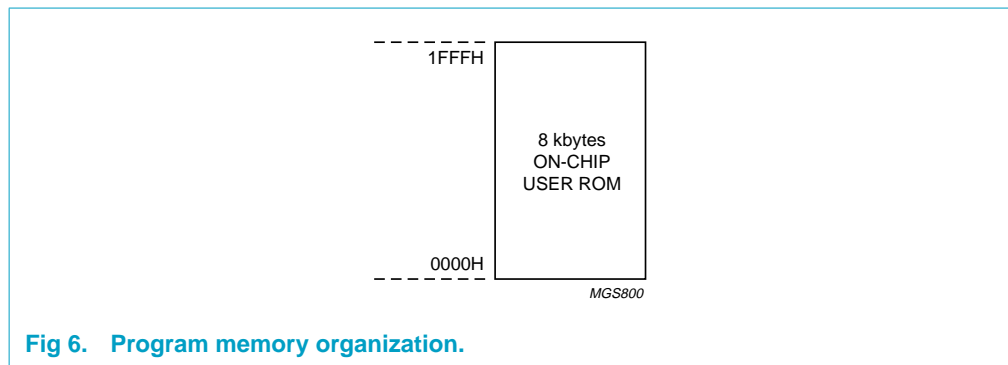


Fig 6. Program memory organization.

10.3 Special function registers (SFRs)

The SFRs of the 80C51 can only be directly addressed. The memory map is given in [Table 47](#).

Table 47: SFR memory map

Address range (Hex)	Offset							
	0	1	2	3	4	5	6	7
F8 to FF							WDTKEY	WDT
F0 to F7	B							
E8 to EF								
E0 to E7	ACC							
D8 to DF	I2C0CON	I2C0STA	I2C0DAT	I2C0ADR				
D0 to D7	PSW							
C8 to CF								
C0 to C7	USBCON	USBCONA						
B8 to BF	IP							
B0 to B7	P3							
A8 to AF	IE							
A0 to A7	P2							
98 to 9F								
90 to 97	P1							
88 to 8F	TCON	TMOD	TL0	TL1	TH0	TH1		
80 to 87	P0	SP	DPL	DPH				PCON

10.3.1 Program Status Word register (PSW)

The PSW register of the 80C51 is bit-addressable. The names and functions of the bits are shown in Table 48 and Table 49.

Table 48: PSW register: bit allocation

7	6	5	4	3	2	1	0
CY	AC	F0	RS1	RS0	OV	-	P

Table 49: PSW register: bit description

Bit [1]	Symbol	Description
PSW.7	CY	carry flag; receives carry out from bit 7 of ALU operands
PSW.6	AC	auxiliary carry flag; receives carry out from bit 3 of addition operands
PSW.5	F0	flag 0; general purpose status flag
PSW.4	RS1	register bank selector bit 1; see Table 50
PSW.3	RS0	register bank selector bit 0; see Table 50
PSW.2	OV	overflow flag; set by arithmetic operations
PSW.1	-	user-definable general purpose flag
PSW.0	P	parity flag, indicating the number of '1' bits in the accumulator (logic 0 = even, logic 1 = odd); refreshed by hardware upon each instruction cycle

[1] All bits are individually addressable.

Table 50: Register bank selection

RS1	RS0	Register bank	Address range (Hex)
0	0	0	00 to 07
0	1	1	08 to 0F
1	0	2	10 to 17
1	1	3	18 to 1F

10.3.2 Power Control register (PCON)

Table 51: PCON register: bit allocation

Bit	7	6	5	4	3	2	1	0
Symbol	-	-	-	WLE	GF1	GF0	PD	IDL
Reset	0	0	0	0	0	0	0	0
Access	R/W	R/W	R/W	R/W	R/W	R/W	R/W	R/W

Table 52: PCON register: bit description

Bit	Symbol	Description
7 to 5	-	reserved
4	WLE	Watchdog Load Enable. Writing a logic 1 enables writing to the watchdog timer register and starts the watchdog timer for the first time. A logic 0 disables writing to the watchdog timer register. The watchdog timer can be stopped by writing 55H to the WDTKEY register (see Table 70) or by a hardware reset.
3	GF1	General purpose flag set or reset by software.
2	GF0	General purpose flag set or reset by software.
1	PD	Writing a logic 1 activates Power-down mode and switches off the clock. When the microcontroller wakes up from Power-down mode this bit is cleared to logic 0.
0	IDL	Writing a logic 1 activates Idle mode, switching off the normal clock and turning on the sleep clock. A reset or interrupt returns the microcontroller from Idle to normal mode and clears this bit to logic 0.

10.3.3 USB Control register (USBCON)

Table 53: USBCON register: bit allocation

Bit	7	6	5	4	3	2	1	0
Symbol	Self Powered	Enable SYNCLK	Disable KBDMatrix	GL-MEMSEL Selection	Enable OverCurrent	AnalogOC Disable	Soft Connect_N	Suspend Clock
Reset	0	1	1	1	1	1	1	0
Access	W	W	W	W	W	W	W	W

Table 54: USBCON register: bit description

Bit	Symbol	Description
7	Self Powered	A logic 0 selects bus-powered operation. A logic 1 enables (hybrid) self-powered operation.
6	Enable SYNCLK	A logic 1 enables a 12 MHz clock signal on output SYNCLK, used during external emulation of the microcontroller. A logic 0 disables the clock signal on SYNCLK.
5	Disable KBDMatrix	A logic 0 selects internal 82 kΩ pull-down resistors on the MYn lines (keyboard matrix enabled). A logic 1 selects internal 8.2 kΩ pull-up resistors on the MYn lines (keyboard matrix disabled).
4	GL-MEMSEL Selection	A logic 0 enables upstream GoodLink indication, using output $\overline{\text{MEMSEL/UPGL}}$ to drive the LED. A logic 1 configures pin $\overline{\text{MEMSEL/UPGL}}$ as a chip select output for accessing an external serial EEPROM via the I ² C-bus interface.
3	Enable Over Current	A logic 1 configures pins $\overline{\text{OCn/DPGLn}}$ as overcurrent detection inputs. A logic 0 configures pins $\overline{\text{OCn/DPGLn}}$ as downstream port GoodLink indicator outputs.
2	AnalogOC Disable	A logic 0 enables internal analog overcurrent sensing on pins $\overline{\text{OCn/DPGLn}}$ (if enabled via bit EnableOverCurrent). A logic 1 selects digital overcurrent sensing.
1	Soft Connect_N	A logic 0 connects an internal 1.5 kΩ pull-up resistor to the upstream USB port (pin UP_DP). A logic 1 disables the pull-up resistor.
0	Suspend Clock	A logic 1 switches off the clock after 2 ms following a 'suspend' interrupt. A logic 0 causes the clock to remain active during 'suspend' state. A change from logic 0 to logic 1 in the 'suspend' interrupt service routine switches off the clock after 1 ms.

10.3.4 USB Control A register (USBCONA)

Table 55: USBCONA register: bit allocation

Bit	7	6	5	4	3	2	1	0
Symbol	reserved						PortCount1	PortCount0
Reset	0	0	0	0	0	0	0	1
Access	W	W	W	W	W	W	W	W

Table 56: USBCONA register: bit description

Bit	Symbol	Description
7 to 2	-	reserved
1, 0	PortCount[1:0]	number of enabled embedded functions: 00 — undefined 01 — 1 embedded function (default) 10 — 2 embedded functions 11 — 3 embedded functions

10.4 Hub control registers

The hub control registers (Command and Data) are mapped to the external data memory space of the 80C51 as shown in Table 57. To access these registers use a MOVX instruction.

Table 57: Hub control registers: address mapping

Register	Access	Address (Hex)
Command	write	FFFE
Data	read/write	FFFF

10.5 Interrupt structure

The ISP1130 implements a 6-source interrupt structure with 2 priority levels. The interrupt vector addresses and polling sequence is given in Table 58. The interrupt priority levels are set via the Interrupt Polarity (IP) register (see Table 61) and the interrupts can be enabled or disabled via the Interrupt Enable (IE) register (see Table 59).

Table 58: Interrupt vectors and polling sequence

Source	Description	Vector address
EX0	external 0 interrupt (USB)	0003H
ET0	timer 0 interrupt	000BH
EX1	external 1 interrupt (keyboard)	0013H
ET1	timer 1 interrupt	001BH
I2C	I ² C-bus interrupt	0023H
IN2	external 2 interrupt (input \overline{INT})	002BH

External interrupt 0 (EX0) is generated by the USB core when an activity occurs for any of the three embedded functions. Interrupt EX0 is level-triggered and sets bit IE0 in the TCON register. IE0 is cleared by hardware when the service routine is entered.

External interrupt 1 (EX1) is generated by a key press in the matrix. Interrupt EX1 is level-triggered and sets bit IE1 in the TCON register. IE1 is cleared by hardware when the service routine is entered. When the device is in 'suspend' state (the microcontroller clock is disabled), interrupt EX1 is registered and an internal Remote Wakeup is generated to restart the PLL and the clocks. When the device resumes its function and the clock to microcontroller core has been restored, the firmware branches to the interrupt service routine for EX1.

External interrupt 2 (IN2) is generated by input pin \overline{INT} , which is edge-triggered (HIGH-to-LOW transition).

Timer 0 and Timer 1 interrupts are generated by a timer register overflow (except for Timer 0 in Mode 3), signalled by bits TF0 and TF1 in the TCON register. The bit that generated the interrupt is cleared by hardware, when the service routine is entered.

Table 59: IE register: bit allocation

Bit	7	6	5	4	3	2	1	0
Symbol	EA	-	IN2	I2C	ET1	EX1	ET0	EX0
Reset	0	0	0	0	0	0	0	0
Access	R/W	R/W	R/W	R/W	R/W	R/W	R/W	R/W

Table 60: IE register: bit description

Bit [1]	Symbol	Description
IE.7	EA	enable all interrupts; a logic 0 disables all interrupts, a logic 1 allows all interrupt sources to be individually enabled or disabled
IE.6	-	reserved
IE.5	IN2	A logic 1 enables external interrupt 2 (input \overline{INT})
IE.4	I2C	A logic 1 enables I ² C interrupt
IE.3	ET1	A logic 1 enables Timer 1 overflow interrupt
IE.2	EX1	A logic 1 enables external interrupt 1 (keyboard)
IE.1	ET0	A logic 1 enables Timer 0 overflow interrupt
IE.0	EX0	A logic 1 enables external interrupt 0 (USB)

[1] All bits are individually addressable.

Table 61: IP register: bit allocation

Bit	7	6	5	4	3	2	1	0
Symbol	-	-	IN2	I2C	ET1	EX1	ET0	EX0
Reset	X	X	0	0	0	0	0	0
Access	R/W	R/W	R/W	R/W	R/W	R/W	R/W	R/W

Table 62: IP register: bit description

Bit [1]	Symbol	Description [2]
IP.7	-	reserved
IP.6	-	reserved
IP.5	IN2	priority of external interrupt 2 (input \overline{INT})
IP.4	I2C	priority of I ² C interrupt
IP.3	ET1	priority of Timer 1 interrupt
IP.2	EX1	priority of external interrupt 1 (keyboard)
IP.1	ET0	priority of Timer 0 interrupt
IP.0	EX0	priority of external 0 (USB) interrupt

[1] All bits are individually addressable.

[2] A logic 0 indicates a LOW priority, a logic 1 indicates a HIGH priority.

10.6 Timers/counters

The ISP1130 contains two 16-bit timer/counters (Timer 0 and Timer 1), which are used for generating interrupt requests. Each timer has a control bit C/\overline{T} in the Timer Control register (TCON, see Table 67), which selects the timer or counter function. In the ISP1130 this bit must always be 0 for timer operation.

Both timers can be programmed independently to operate in 4 different modes via the Timer Mode register (TMOD, see Table 63). When Timer 0 is in mode 3, Timer 1 can be programmed to modes 0, 1 or 2 but it cannot set an interrupt request flag or generate an interrupt.

Table 63: TMOD register: bit allocation

Timer 1: bits 7 to 4; Timer 0: bits 3 to 0

7	6	5	4	3	2	1	0
GATE	C/ \bar{T}	M1	M0	GATE	C/ \bar{T}	M1	M0

Table 64: TMOD register: bit description

Bit	Symbol	Description
7	GATE	Timer 1 counter gate control; must always be 0
6	C/ \bar{T}	Timer 1 counter/timer select; must always be 0
5	M1	Timer 1 mode selector bit 1; see Table 63
4	M0	Timer 1 mode selector bit 0; see Table 63
3	GATE	Timer 0 counter gate control; must always be 0
2	C/ \bar{T}	Timer 0 counter/timer select; must always be 0
1	M1	Timer 0 mode selector bit 1; see Table 63
0	M0	Timer 0 mode selector bit 0; see Table 63

Table 65: Timer mode selection

M1, M0	Mode	Description
00	0	13-bit timer
01	1	16-bit timer
10	2	8-bit auto-reload timer
11	3	Timer 0: TL0 is an 8-bit timer controlled by Timer 0 control bits; TH0 is an 8-bit timer controlled by Timer 1 control bits Timer 1: stopped

Each timer consists of two 8-bit registers in the SFR memory space: TLn and THn (see Table 66). The timer registers are incremented every machine cycle of the 80C51 core. Since one machine cycle consists of 6 clock periods, the timer counts at a rate of $\frac{1}{6} \times f_{MCU_CLOCK}$. This corresponds with 2 MHz for the default microcontroller clock frequency of 12 MHz.

Table 66: Timer register addresses

Register	SFR address	Description
TL0	8AH	Timer 0: lower byte
TH0	8CH	Timer 0: upper byte
TL1	8BH	Timer 1: lower byte
TH1	8DH	Timer 1: upper byte

The timers are started and stopped under software control via the SFR TCON (see Table 67). Each timer sets its interrupt request flag when the timer register overflows from all 1's to all 0's (normal timer) or to the reload value (auto-reload timer). When a timer interrupt is generated, the corresponding interrupt request flag is cleared by the hardware upon entering the interrupt service routine.

Table 67: TCON register: bit allocation

Bit	7	6	5	4	3	2	1	0
Symbol	TF1	TR1	TF0	TR0	IE1	IT1	IE0	IT0
Reset	0	0	0	0	0	0	0	0
Access	R	R/W	R	R/W	R	R/W	R	R/W

Table 68: TCON register: bit description

Bit [1]	Symbol	Description
TCON.7	TF1	Timer 1 overflow flag; set by hardware upon Timer 1 overflow; cleared by hardware upon entering the interrupt service routine
TCON.6	TR1	Timer 1 run control bit; 0 = timer OFF, 1 = timer ON
TCON.5	TF0	Timer 0 overflow flag; set by hardware upon Timer 0 overflow; cleared by hardware upon entering the interrupt service routine
TCON.4	TR0	Timer 0 run control bit; 0 = timer OFF, 1 = timer ON
TCON.3	IE1	external interrupt 1 flag; set by hardware when a keyboard interrupt is detected; cleared by hardware upon entering the interrupt service routine
TCON.2	IT1	triggering mode for external interrupt 1, set by software; must always be logic 0 (= HIGH-to-LOW transition)
TCON.1	IE0	external interrupt 0 flag; set by hardware when a USB core interrupt is detected; cleared by hardware upon entering the interrupt service routine
TCON.0	IT0	triggering mode for external interrupt 0, set by software; must always be 0 (= HIGH-to-LOW transition)

[1] All bits are individually addressable.

10.7 Watchdog timer

The Watchdog timer is a counter that resets the microcontroller upon overflow. This allows recovery from erroneous processor states (e.g. caused by electrical noise or RF-interference). To prevent the Watchdog timer from overflowing, the software must reload the counter within a predefined (programmable) time.

The Watchdog timer is a 19-bit counter, consisting of an 11-bit prescaler and an 8-bit SFR (WDT). The counter is clocked in state 2 of every CPU cycle (= 6 clocks) and generates a reset when register WDT overflows. For a 12 MHz clock frequency, the interval between overflows can be programmed between 1.024 ms (WDT = FFH) and 262.144 ms (WDT = 00H). After a reset the WDT register contains all zeroes.

To enable loading of the Watchdog timer, bit WLE in the PCON register must be set to logic 1 (see Table 51). When this is done for the first time, it also starts the timer. The Watchdog timer can be disabled by writing 55H to the WDTKEY register, or by a hardware reset.

Table 69: Watchdog timer registers: address mapping

Register	Access	Address (Hex)
WDTKEY	write	FE
WDT	write	FF

Table 70: WDTKEY register: bit allocation

Bit	7	6	5	4	3	2	1	0
Symbol	WDK[7:0]							
Reset	0	1	0	1	0	1	0	1
Access	W	W	W	W	W	W	W	W

Table 71: WDTKEY register: bit description

Bit	Symbol	Description
7 to 0	WDK[7:0]	Watchdog Key: a value of 55H disables the Watchdog timer and inhibits the setting of bit PD in the PCON register. Any other value than 55H will (re)enable the Watchdog timer.

Table 72: WDT register: bit allocation

Bit	7	6	5	4	3	2	1	0
Symbol	WDL[7:0]							
Reset	0	0	0	0	0	0	0	0
Access	W	W	W	W	W	W	W	W

Table 73: WDT register: bit description

Bit	Symbol	Description
7 to 0	WDL[7:0]	Watchdog Load value. The Watchdog timer interval is given by (256 – WDL) in units of 1.024 ms (12 MHz clock frequency).

[1] This register can only be written if bit WLE in the PCON register is set to logic 1.

10.7.1 Watchdog timer software example

The following example shows how the Watchdog timer operation might be handled in a user program.

```

;at program start

WDT           EQU           0FFH           ;address of watchdog timer SFR
PCON          EQU           087H           ;address of power-control SFR
WDT_INT       EQU           156           ;WDT internal 100 * prescaler overflow

;call to subroutine which reloads the WDT

                LCALL        WATCHDOG

;watchdog subroutine

WATCHDOG:     ORL           PCON,#10H       ;set WLE bit in PCON
                MOV          WDT,#WDT_INT  ;load watchdog timer with interval
                RET
    
```

10.8 I/O description

The following groups of I/O lines are available for interfacing a keyboard matrix to the ISP1130:

MX0 to MX7 — return lines for keyboard matrix; inputs with internal 8.2 kΩ pull-up resistors, 5 V tolerant. Inputs MX3 and MX4 are multiplexed with the SCL and SDA lines respectively. This allows the ISP1130 firmware to read configuration data from an external EEPROM via SDA and SCL, e.g. upon a hardware or a USB bus reset.

MY0 to MY17 — scan lines for keyboard matrix; bidirectional lines with internal 82 kΩ pull-down resistors and 8.2 kΩ pull-up resistors. The pull-down resistors are selected by setting bit `DisableKBDMatrix` in the `USBCON` register. In Idle mode these lines are inputs, which are OR-ed together to generate an interrupt when a key is pressed.

CAPSLOCK / NUMLOCK / SCRLOCK — open drain outputs for driving Caps Lock, Num Lock and Scroll Lock indicator LEDs (max. 8 mA).

Remark: When accessing external functions or devices via the ISP1130 bus lines, it is recommended to isolate the MYn lines by means of analog switches, controlled via output `MEMSEL/UPGL`. This prevents bus conflicts during keyboard scanning.

10.9 I/O port mapping

Table 74 provides the mapping of standard 80C51 input/output ports with respect to their use in ISP1130.

Table 74: Mapping of I/O ports between ISP1130 and 80C51

ISP1130 ports	80C51 ports	Description
MY0 to MY7	P0.0 to P0.7	keyboard scan lines
MY8 to MY15	P2.0 to P2.7	keyboard scan lines
MY16	P1.0	keyboard scan lines
MY17	P1.1	keyboard scan lines
<code>MEMSEL/UPGL</code>	P1.2	chip select output for an external EEPROM; upstream port GoodLink indicator output
<code>CAPSLOCK</code>	P1.3	control output for Caps Lock LED indicator
<code>NUMLOCK</code>	P1.4	control output for Num Lock LED indicator
<code>SCRLOCK</code>	P1.5	control output for Scroll Lock LED indicator
n.c.	P1.6	not used
n.c.	P1.7	not used
MX0 to MX7	P3.0 to P3.7	keyboard return lines

10.10 Keyboard matrix implementation

The ISP1130 can support a maximum key matrix size of 18 × 8, totalling 144 keys. A typical implementation of the keyboard matrix is shown in **Figure 7**.

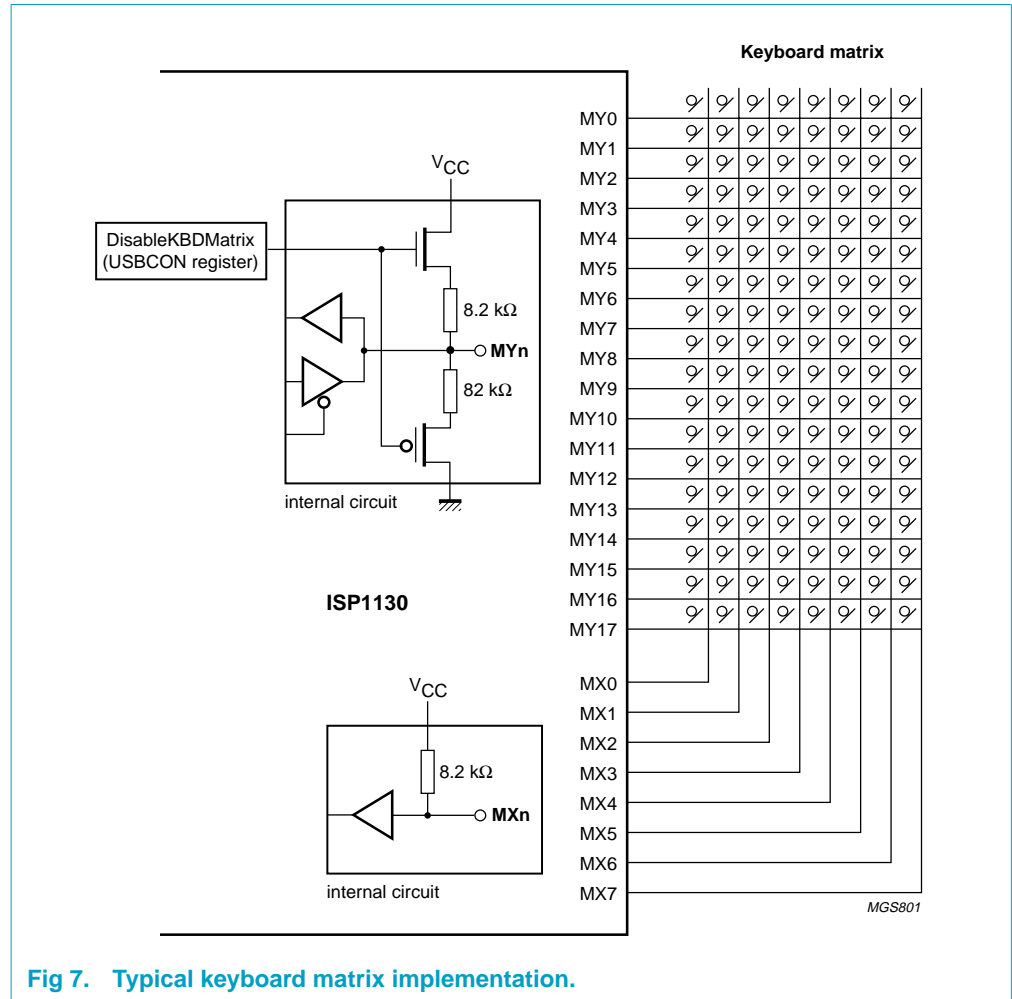


Fig 7. Typical keyboard matrix implementation.

The keyboard scanning algorithm is as follows:

1. When no key press is detected within a predefined time interval, the microcontroller switches the MYn scan lines to 'input' and enters Idle mode.
2. Pressing any key will result in the HIGH level of an MXn line to be transferred to an MYn input. Such a HIGH level (4.45 V typ.) exceeds V_{IH} and generates an interrupt, since all MYn lines are OR-ed together.
3. Upon a keyboard interrupt the microcontroller exits Idle mode and resumes standard keyboard matrix scanning to determine which key was pressed.

This algorithm helps to reduce EMI and power consumption.

10.11 Suspend and resume

10.11.1 Suspend

When there is no activity on the USB bus for more than 3 ms, the device generates an interrupt to the microcontroller to enter 'suspend' state.

The microcontroller can respond to a 'suspend' interrupt in three ways, depending on the value of bit SuspendClock in the USBCON register when servicing the interrupt:

- **SuspendClock = 0:** The operating clocks of the USB core and the microcontroller remain on during 'suspend' state. The device's power consumption is not reduced and therefore this state does not guarantee 'suspend' current requirements.
- **SuspendClock = 1:** The internal clocks are automatically switched off after 2 ms. This allows the microcontroller adequate time to process the 'suspend' interrupt and enter Power-down mode. Power consumption is reduced to its minimum to meet the 'suspend' current requirements of *USB Specification Rev. 1.1*.
- **SuspendClock is changed from 0 to 1:** The clocks are switched off after 1 ms. This option can be used if the microcontroller requires more time than 2 ms to prepare for 'suspend' mode.

Remark: After a resume operation, the microcontroller has to clear bit SuspendClock to logic 0 to enable further suspend operations.

10.11.2 Resume

The ISP1130 can resume operation from 'suspend' state in three ways, depending on whether the operating clocks are active or not:

- **Operating clock on:** Clearing the Suspend bit of the Device Status Register to logic 0 will generate a remote wake-up signal.
- **Operating clock off:** The following events will generate a remote wake-up signal:
 - Key press (activity on the MYn lines)
 - USB bus activity.

Upon a remote wake-up signal, the USB core first enables the PLL and the clocks. When the clocks have stabilized, an interrupt wakes up the microcontroller from Power-down mode. The microcontroller resumes program execution from where it left off. A 'resume' signal is then generated on the upstream port.

11. I²C-bus interface

A simple I²C-bus interface is provided in the ISP1130 to read configuration data from an external EEPROM upon a (power-on) reset or a bus reset from the USB host. The interface hardware supports both single master and slave operation at bus speeds up to 400 kHz.

For this application the user must configure the I²C-bus interface as single master via software. After reading the EEPROM configuration data, the I²C-bus driver software module and the EEPROM must be disabled, since the SCL and SDA lines are multiplexed with keyboard matrix scan lines (MX3 and MX4 respectively). Output $\overline{\text{MEMSEL}}/\overline{\text{UPGL}}$ is available for (de)selecting the EEPROM.

The I²C-bus interface is intended for bidirectional communication between ICs via two serial bus wires, SDA (data) and SCL (clock). Both lines are driven by open-drain circuits and must be connected to the positive supply voltage via pull-up resistors. In the ISP1130 8.2 k Ω pull-up resistors are integrated on pins MX3/SCL and MX4/SDA.

11.1 Protocol

The I²C-bus protocol defines the following conditions:

- **Bus free:** both SDA and SCL are HIGH
- **START:** a HIGH-to-LOW transition on SDA, while SCL is HIGH
- **STOP:** a LOW-to-HIGH transition on SDA, while SCL is HIGH
- **Data valid:** after a START condition, data on SDA are stable during the HIGH period of SCL; data on SDA may only change while SCL is LOW.

Each device on the I²C-bus has a unique slave address, which the master uses to select a device for access.

The master starts a data transfer using a START condition and ends it by generating a STOP condition. Transfers can only be initiated when the bus is free. The receiver must acknowledge each byte by means of a LOW level on SDA during the ninth clock pulse on SCL.

For detailed information please consult *The I²C-bus and how to use it.*, order number 9398 393 40011.

11.2 Hardware connections

Via the I²C-bus interface the ISP1130 can be connected to an external EEPROM (PCF8582 or equivalent). The hardware connections are shown in [Figure 8](#).

The SCL and SDA pins are multiplexed with pins MX3 and MX4 respectively. Pin MEMSEL/UPGL can be used as a chip select output to select external devices, such as smart card readers, UARTs, etc.

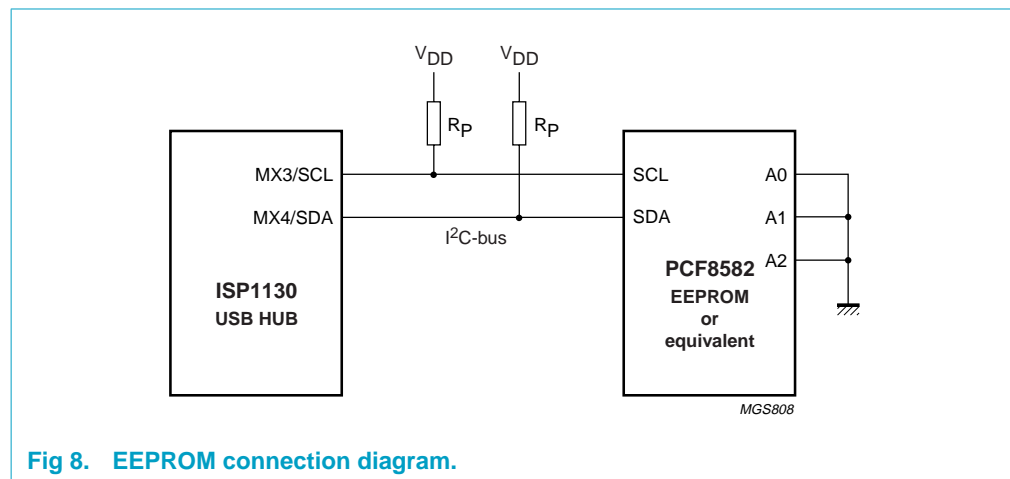


Fig 8. EEPROM connection diagram.

The slave address which ISP1130 uses to access the EEPROM is 1010000B. Page mode addressing is not supported, so pins A0, A1 and A2 of the EEPROM must be connected to GND (logic 0).

11.3 Data transfer

The I²C-bus interface can be used to read configuration data from an external EEPROM, e.g. upon a hardware or USB bus reset. The EEPROM must be enabled and disabled using output pin $\overline{\text{MEMSEL/UPGL}}$. To select the I²C-bus function of pins MX3/SCL and MX4/SDA, bit ENS1 in the I2C0CON register must be set to logic 1.

The number and the organization of the data bytes read from the EEPROM can be determined by the firmware designer.

The I²C-bus interface is accessed via a number of SFRs, shown in [Table 75](#).

Table 75: I²C register addresses

Register	SFR address	Description
I2C0CON	D8H	I ² C-bus control register
I2C0STA	D9H	I ² C-bus status register
I2C0DAT	DAH	I ² C-bus data register
I2C0ADR	DBH	I ² C-bus address register

Table 76: I2C0CON register: bit allocation

Bit	7	6	5	4	3	2	1	0
Symbol	CR2	ENS1	STA	STO	SI	AA	CR1	CR0
Reset	0	0	0	0	0	0	0	0
Access	R/W	R/W	R/W	R/W	R/W	R/W	R/W	R/W

Table 77: I2C0CON register: bit description

Bit ^[1]	Symbol	Description
I2C0CON.7	CR2	selects I ² C-bus bit frequency in Master mode, see Table 78
I2C0CON.6	ENS1	Enable Serial I/O. A logic 1 enables the I ² C-bus interface and sets pins MX3/SCL and MX4/SDA to logic 1. A logic 0 disables the I ² C-bus interface and clears bit STO to logic 0, allowing MX3/SCL and MX4/SDA to be used as open drain I/O pins.
I2C0CON.5	STA	START flag. In Slave mode a logic 1 generates a START condition as soon as the bus is free. In Master mode a logic 1 generates a repeated START condition.
I2C0CON.4	STO	STOP flag. In maSter mode a logic 1 generates a STOP condition. This bit is cleared by hardware if a STOP condition is detected on the bus. In Slave mode a logic 1 can be used to recover from an error: it causes SDA and SCL to be released and the device to be unaddressed.
I2C0CON.3	SI	Serial Interrupt flag. A logic 1 signals a valid status change (see Table 83), causing the SCL LOW period to be stretched and the transfer to be suspended. This bit must be cleared by software when servicing the interrupt.

Table 77: I2C0CON register: bit description...continued

Bit [1]	Symbol	Description
I2C0CON.2	AA	Assert Acknowledge. A logic 1 indicates that an ACK (low level on SDA during acknowledge pulse on SCL) is returned for one of the following conditions: <ul style="list-style-type: none"> • own slave address received • General Call address received, if bit GC = 1 (I2C0CON) • data byte received when in master receive mode • data byte received when addressed in slave receiver mode.
I2C0CON.1	CR1	selects I ² C-bus bit frequency in Master mode, see Table 78
I2C0CON.0	CR0	selects I ² C-bus bit frequency in Master mode, see Table 78

[1] All bits are individually addressable.

Table 78: I²C-bus bit frequency (Master mode)

CR2	CR1	CR0	I ² C-bus bit frequency (12 MHz oscillator)
0	0	0	200 kHz
0	0	1	7.5 kHz
0	1	0	300 kHz
0	1	1	400 kHz
1	0	0	50 kHz
1	0	1	3.75 kHz
1	1	0	75 kHz
1	1	1	100 kHz

Table 79: I2C0DAT register: bit allocation

Bit	7	6	5	4	3	2	1	0
Symbol	SD[7:0]							
Reset	0	0	0	0	0	0	0	0
Access	R/W	R/W	R/W	R/W	R/W	R/W	R/W	R/W

Table 80: I2C0DAT register: bit description

Bit	Symbol	Description
7 to 0	SD[7:0] [1]	DATA byte (just received or to be transmitted); a logic 0 value corresponds with a LOW level on SDA, a logic 1 with a HIGH level

[1] Bits are transmitted or received MSB (SD7) first.

Table 81: I2C0STA register: bit allocation

Bit	7	6	5	4	3	2	1	0
Symbol	SC[4:0]					-	-	-
Reset	1	1	1	1	1	0	0	0
Access	R	R	R	R	R	R	R	R

Table 82: I2COSTA register: bit description

Bit	Symbol	Description
7 to 3	SC[4:0]	status code, see Table 83
2 to 0	-	reserved, always zero

Table 83: I²C-bus status codes

Status byte	SC[4:0]	Description (see Table 84)
Master transmit mode		
08H	00001	START condition has been transmitted
10H	00010	repeated START condition has been transmitted
18H	00011	SLA and W have been transmitted, ACK was received
20H	00100	SLA and W have been transmitted, $\overline{\text{ACK}}$ was received
28H	00101	DATA byte has been transmitted, ACK was received
30H	00110	DATA byte has been transmitted, $\overline{\text{ACK}}$ was received
38H	00111	arbitration was lost in SLA, R/W or DATA byte
Master receive mode		
08H	00001	START condition has been transmitted
10H	00010	repeated START condition has been transmitted
38H	00111	arbitration was lost while returning $\overline{\text{ACK}}$
40H	01000	SLA and R have been transmitted, ACK was received
48H	01001	SLA and R have been transmitted, $\overline{\text{ACK}}$ was received
50H	01010	DATA byte has been received, ACK was returned
58H	01011	DATA byte has been received, $\overline{\text{ACK}}$ was returned
Slave receive mode		
60H	01100	own SLA and W have been received, ACK was returned
68H	01101	arbitration was lost in SLA, R/W as master; own SLA and W have been received, ACK was returned
70H	01110	General Call has been received, ACK was returned
78H	01111	arbitration was lost in SLA, R/W as master; General Call has been received
80H	10000	previously addressed with own SLA; DATA byte has been received, ACK was returned
88H	10001	previously addressed with own SLA; DATA byte has been received, $\overline{\text{ACK}}$ was returned
90H	10010	previously addressed with General Call; DATA byte has been received, ACK was returned
98H	10011	previously addressed with General Call; DATA byte has been received, $\overline{\text{ACK}}$ was returned
A0H	10100	STOP or repeated START condition has been received, while still addressed as slave receiver or transmitter

Table 83: I²C-bus status codes...continued

Status byte	SC[4:0]	Description (see Table 84)
Slave transmit mode		
A8	10101	own SLA and R have been received, ACK was returned
B0	10110	arbitration was lost in SLA, R/W as master; own SLA and R have been received, ACK was returned
B8	10111	DATA byte has been transmitted, ACK was received
C0	11000	DATA byte has been transmitted, $\overline{\text{ACK}}$ was received
C8	11001	last DATA byte has been transmitted (AA = 0 in I2C0CON), ACK was received
Miscellaneous		
00H	00000	bus error in master or addressed slave mode, caused by erroneous START or STOP condition
F8H	11111	no relevant status information is available; bit SI in the I2C0CON register is cleared to logic 0

Table 84: Symbols used in I²C-bus

Symbol	Description
SLA	slave address (7 bits)
R	read bit (logic 1)
W	write bit (logic 0)
ACK	acknowledgment (logic 0)
$\overline{\text{ACK}}$	no acknowledgment (logic 1)
DATA	data byte to or from I ² C-bus

Table 85: I2C0ADR register: bit allocation

Bit	7	6	5	4	3	2	1	0
Symbol	SA[6:0]							GC
Reset	0	0	0	0	0	0	0	0
Access	R/W	R/W	R/W	R/W	R/W	R/W	R/W	R/W

Table 86: I2C0ADR register: bit description

Bit	Symbol	Description
7 to 1	SA[6:0]	own slave address of the microcontroller; only used in Slave mode, ignored in Master mode
0	GC	A logic 1 causes the device to respond to a General Call address (00H). A logic 0 lets the device ignore address 00H.

12. Hub power modes

USB hubs can either be self-powered or bus-powered.

Self-powered — Self-powered hubs have a 5 V local power supply on board which provide power to the hub and the downstream ports. The *USB Specification Rev. 1.1* requires that these hubs limit the current to 500 mA per downstream port and report overcurrent conditions to the host. The hub may optionally draw 100 mA from the USB supply (V_{BUS}) to power the interface functions (**hybrid-powered**).

Bus-powered — Bus-powered hubs obtain all power from the host or an upstream self-powered hub. The maximum current is 100 mA per downstream port. Current limiting and reporting of overcurrent conditions are both optional.

The ISP1130 has bus-powered downstream ports and supports individual power switching via pins \overline{PSWn} .

12.1 Voltage drop requirements

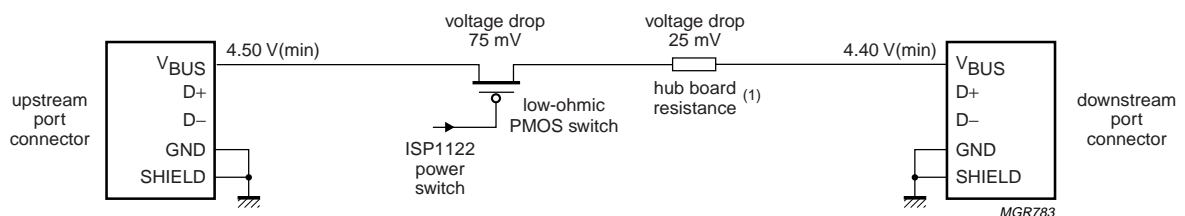
12.1.1 Bus-powered hubs

Bus-powered hubs are guaranteed to receive a supply voltage of 4.5 V at the upstream port connector and must provide a minimum of 4.4 V to the downstream port connectors. The voltage drop of 100 mV across bus-powered hubs includes:

- Hub PCB (power and ground traces, ferrite beads)
- Power switch (FET on-resistance)
- Overcurrent sense device.

The PCB resistance may cause a drop of 25 mV, which leaves 75 mV for the power switch and overcurrent sense device. The voltage drop components are shown in [Figure 9](#).

For bus-powered hubs overcurrent protection is optional. It may be implemented for all downstream ports on a global or individual basis. The ISP1130 has individual overcurrent protection for its downstream ports.



(1) Includes PCB traces, ferrite beads, etc.

Fig 9. Typical voltage drop components in bus-powered mode (no overcurrent detection).

13. Overcurrent detection

The ISP1130 has an analog overcurrent detection circuit for monitoring downstream port lines. This circuit automatically reports an overcurrent condition to the host and turns off the power to the faulty port. The host must reset the condition flag.

Pins $\overline{OC1/DPGL1}$ and $\overline{OC2/DPGL2}$ can be used for individual port overcurrent detection or GoodLink indication. The pin functionality is selected via bit EnableOverCurrent in the USBCON register, see [Table 53](#).

13.1 Overcurrent circuit description

The integrated overcurrent detection circuit of ISP1130 senses the voltage drop across the power switch or an extra low-ohmic sense resistor. When the port draws too much current, the voltage drop across the power switch exceeds the trip voltage threshold (ΔV_{trip}). The overcurrent circuit detects this and switches off the power switch control signal after a delay of 15 ms (t_{trip}). This delay acts as a 'debounce' period to minimize false tripping, especially during the inrush current produced by 'hot plugging' of a USB device.

13.2 Power switch selection

From the voltage drop analysis given in [Figure 9](#), the power switch has a voltage drop budget of 75 mV. For individual self-powered mode, the current drawn per port can be up to 500 mA. Thus the power switch should have maximum on-resistance of 150 m Ω .

If the voltage drop due to the hub board resistance can be minimized, the power switch can have more voltage drop budget and therefore a higher on-resistance. Power switches with a typical on-resistance of around 100 m Ω fit into this application.

The ISP1130 overcurrent detection circuit has been designed with a nominal trip voltage (ΔV_{trip}) of 85 mV. This gives a typical trip current of approximately 850 mA for a power switch with an on-resistance of 100 m Ω ¹.

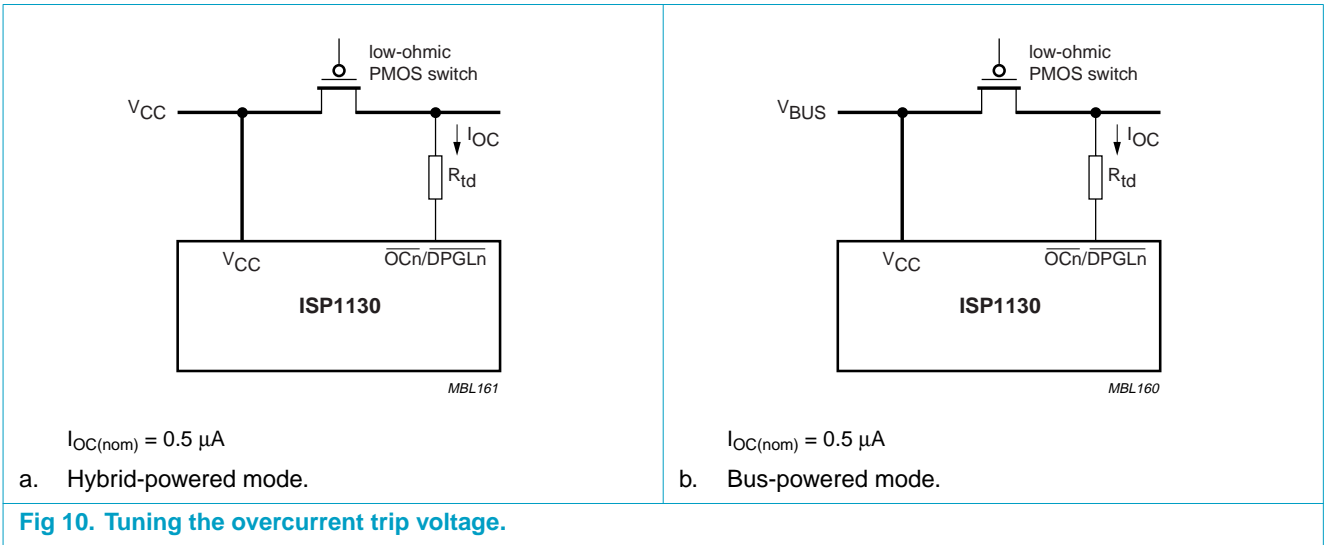
13.3 Tuning the overcurrent trip voltage

The ISP1130 trip voltage can optionally be adjusted through external components to set the desired trip current. This is done by inserting tuning series resistors at pins $\overline{OCn/DPGLn}$ (see [Figure 10](#)). R_{td} tunes down the trip voltage ΔV_{trip} according to [Equation 1](#).

$$\Delta V_{trip} = \Delta V_{trip(intrinsic)} - I_{OC} \cdot R_{td} \quad (1)$$

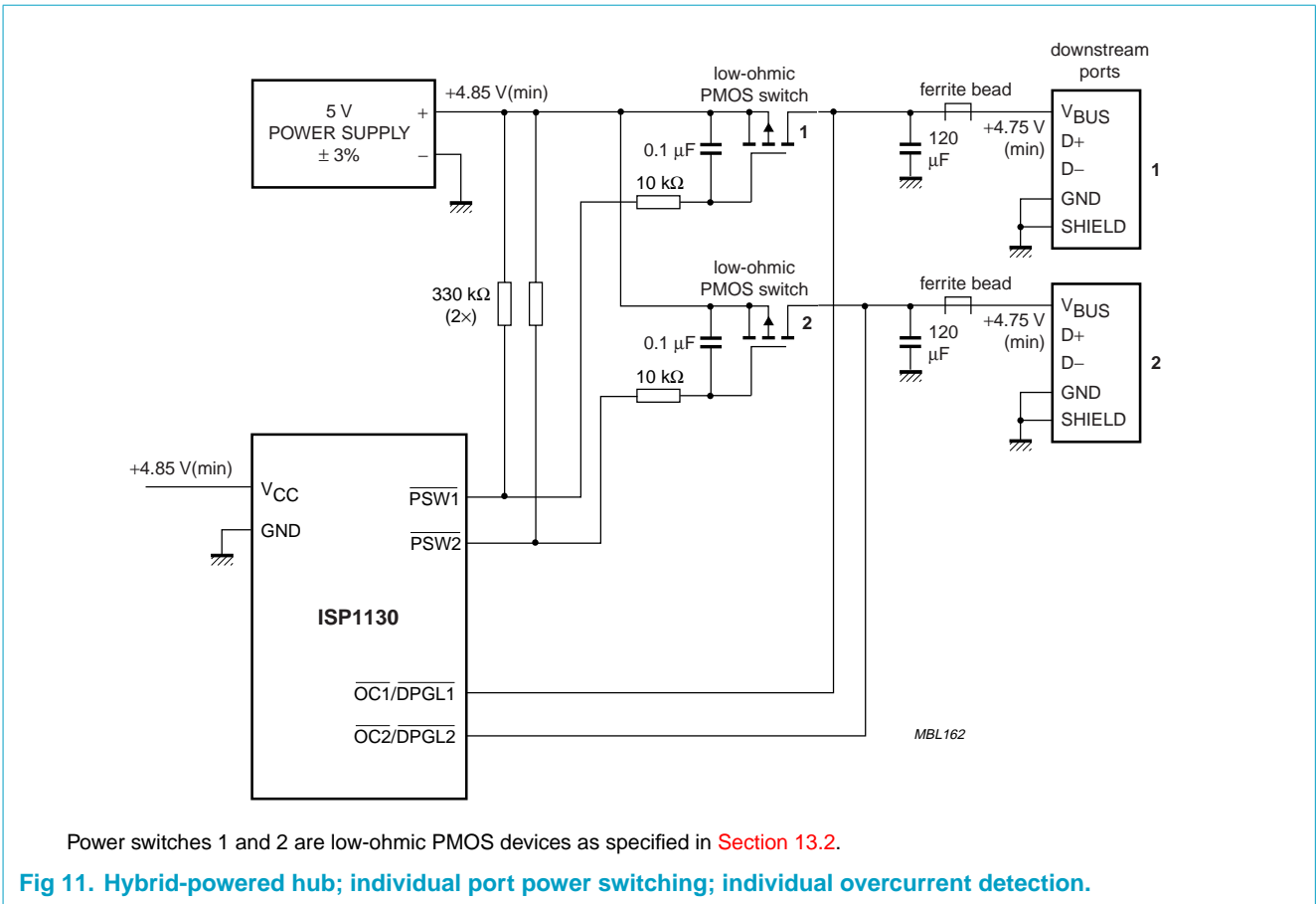
with $I_{OC(nom)} = 0.5 \mu\text{A}$.

1. The following PMOS power switches have been tested to work well with the ISP1130: Philips PHP109, Vishay Siliconix Si2301DS, Fairchild FDN338P.



13.4 Reference circuit

A typical example of individual port power switching and individual overcurrent detection is given in [Figure 11](#). The RC circuit (10 kΩ and 1 μF) around the PMOS switch provides for soft turn-on. Series resistors between pins $\overline{OCn/DPGLn}$ and the supply voltage may be used to tune down the overcurrent trip voltage (see [Figure 10](#)).



14. Limiting values

Table 87: Absolute maximum ratings

In accordance with the Absolute Maximum Rating System (IEC 60134).

Symbol	Parameter	Conditions	Min	Max	Unit
V_{CC}	supply voltage		-0.5	+6.0	V
V_I	input voltage		-0.5	-	V
$I_{latchup}$	latchup current	$V_I < 0$ or $V_I > V_{CC}$	-	200	mA
V_{esd}	electrostatic discharge voltage	$I_{LI} < 15 \mu A$	[1][2] -	± 4000 [3]	V
T_{stg}	storage temperature		-60	+150	°C
P_{tot}	total power dissipation		-	<tbf>	mW

[1] Equivalent to discharging a 100 pF capacitor via a 1.5 k Ω resistor (Human Body Model).

[2] Values are given for device only; in-circuit $V_{esd(max)} = \pm 8000$ V.

[3] For open-drain pins $V_{esd(max)} = \pm 2000$ V.

Table 88: Recommended operating conditions

Symbol	Parameter	Conditions	Min	Max	Unit
V_{CC}	supply voltage		4.0	5.5	V
V_I	input voltage		0	5.5	V
$V_{I(AI/O)}$	input voltage on analog I/O pins (D+/D-)		0	3.6	V
$V_{O(od)}$	open-drain output pull-up voltage		0	5.5	V
T_{amb}	operating ambient temperature		-40	+85	°C

15. Static characteristics

Table 89: Static characteristics; supply pins

$V_{CC} = 4.0$ to 5.5 V; $V_{GND} = 0$ V; $T_{amb} = -40$ to $+85$ °C; unless otherwise specified.

Symbol	Parameter	Conditions	Min	Typ	Max	Unit
$V_{reg(3.3)}$	regulated supply voltage		3.0 ^[1]	3.3	3.6	V
$V_{th(por)}$	power-on reset threshold voltage		<tbf>	2.03	<tbf>	V
I_{CC}	operating supply current		-	<tbf>	-	mA
$I_{CC(susp)}$	suspend supply current	1.5 kΩ pull-up on upstream port D+ (pin DP0)	-	-	<tbf>	μA
		no pull-up on upstream port D+ (pin DP0)	-	-	<tbf>	μA

[1] In 'suspend' mode the minimum voltage is 2.7 V.

Table 90: Static characteristics: digital pins

$V_{CC} = 4.0$ to 5.5 V; $V_{GND} = 0$ V; $T_{amb} = -40$ to $+85$ °C; unless otherwise specified.

Symbol	Parameter	Conditions	Min	Typ	Max	Unit
Input levels						
V_{IL}	LOW-level input voltage		-	-	0.8	V
V_{IH}	HIGH-level input voltage	driven	2.0	-	-	V
		floating	2.7	-	3.6	V
Schmitt trigger inputs						
$V_{th(LH)}$	positive-going threshold voltage		1.4	-	1.9	V
$V_{th(HL)}$	negative-going threshold voltage		0.9	-	1.5	V
V_{hys}	hysteresis voltage		0.4	-	0.7	V
Output levels						
V_{OL}	LOW-level output voltage (open-drain outputs)	$I_{OL} = \text{rated drive}$	-	-	0.4	V
		$I_{OL} = 20 \mu\text{A}$	-	-	0.1	V
V_{OH}	HIGH-level output voltage (open-drain outputs)	$I_{OH} = -\text{rated drive}$	2.4	-	-	V
		$I_{OH} = -20 \mu\text{A}$	$V_{CC} - 0.1$	-	-	V
Leakage current						
I_{LI}	input leakage current		-	-	±1	μA
Open-drain outputs						
I_{OZ}	OFF-state output current		-	-	±1	μA

Table 91: Static characteristics: overcurrent sense pins

$V_{CC} = 4.0$ to 5.5 V; $V_{GND} = 0$ V; $T_{amb} = -40$ to $+85$ °C; unless otherwise specified.

Symbol	Parameter	Conditions	Min	Typ	Max	Unit
ΔV_{trip}	overcurrent detection trip voltage on pins \overline{OCn}	$\Delta V = V_{CC} - V_{\overline{OCn}}$	<tbf>	85	<tbf>	mV

Table 92: Static characteristics: analog I/O pins (D+, D-) [1]

$V_{CC} = 4.0$ to 5.5 V; $V_{GND} = 0$ V; $T_{amb} = -40$ to $+85$ °C; unless otherwise specified.

Symbol	Parameter	Conditions	Min	Typ	Max	Unit
Input levels						
V_{DI}	differential input sensitivity	$ V_{I(D+)} - V_{I(D-)} $	0.2	-	-	V
V_{CM}	differential common mode voltage	includes V_{DI} range	0.8	-	2.5	V
V_{IL}	LOW-level input voltage		-	-	0.8	V
V_{IH}	HIGH-level input voltage		2.0	-	-	V
Output levels						
V_{OL}	LOW-level output voltage	$R_L = 1.5$ k Ω to +3.6V	-	-	0.3	V
V_{OH}	HIGH-level output voltage	$R_L = 15$ k Ω to GND	2.8	-	3.6	V
Leakage current						
I_{LZ}	OFF-state leakage current		-	-	± 10	μ A
Capacitance						
C_{IN}	transceiver capacitance	pin to GND	-	-	20	pF
Resistance						
Z_{DRV} [2]	driver output impedance	steady-state drive	28	-	44	Ω
Z_{INP}	input impedance		10	-	-	M Ω
Termination						
V_{TERM} [3]	termination voltage for upstream port pull-up (R_{PU})		3.0 [4]	-	3.6	V

[1] D+ is the USB positive data pin (UP_DP, DNn_DP); D- is the USB negative data pin (UP_DM, DNn_DM).

[2] Includes external resistors of $18 \Omega \pm 1\%$ on both D+ and D-.

[3] This voltage is available at pin $V_{reg(3.3)}$.

[4] In 'suspend' mode the minimum voltage is 2.7 V.

16. Dynamic characteristics

To be determined.

17. Application information

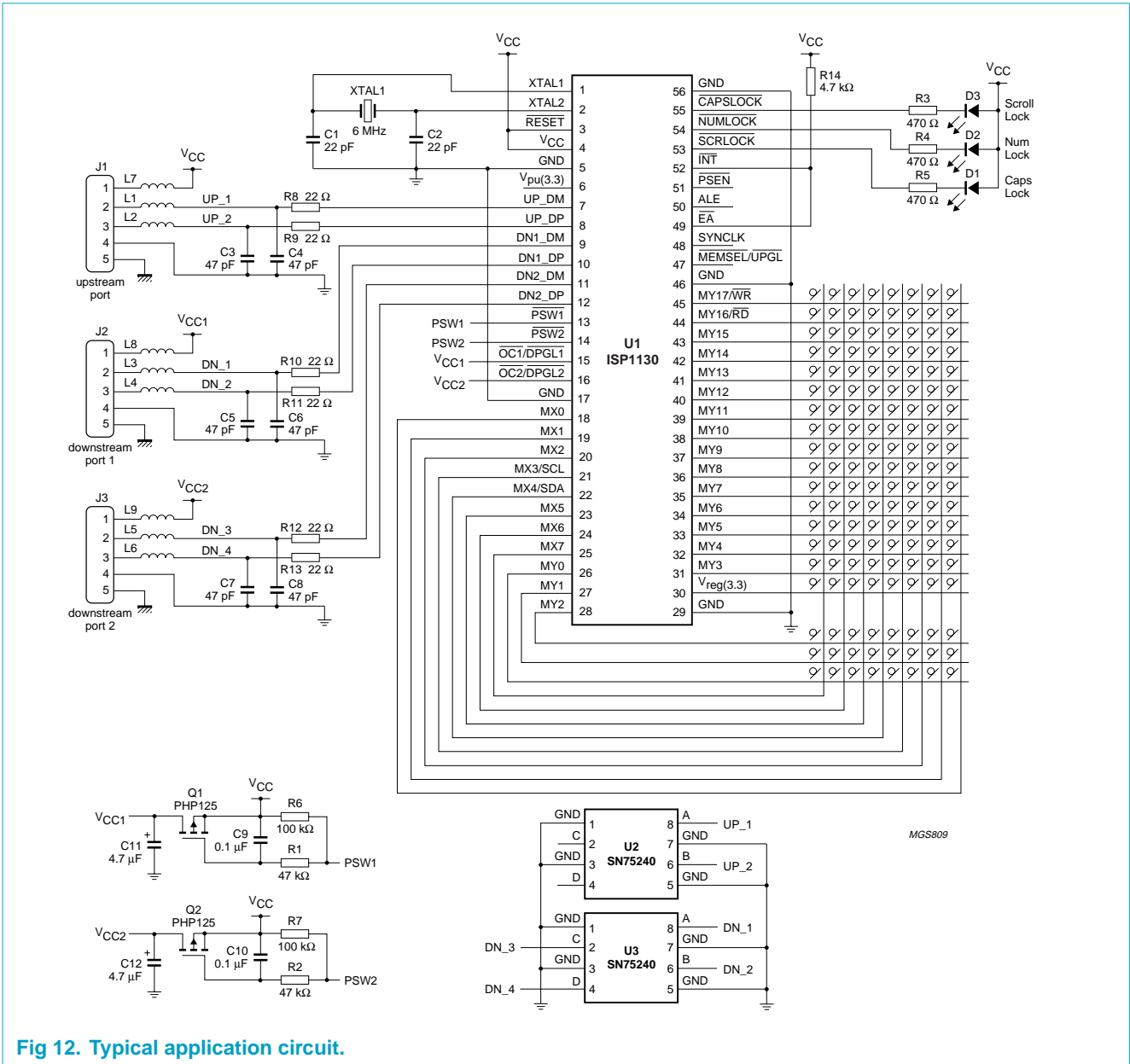


Fig 12. Typical application circuit.

18. Test information

The dynamic characteristics of the analog I/O ports (D+ and D-) as listed in Section 16, were determined using the circuit shown in Figure 13.

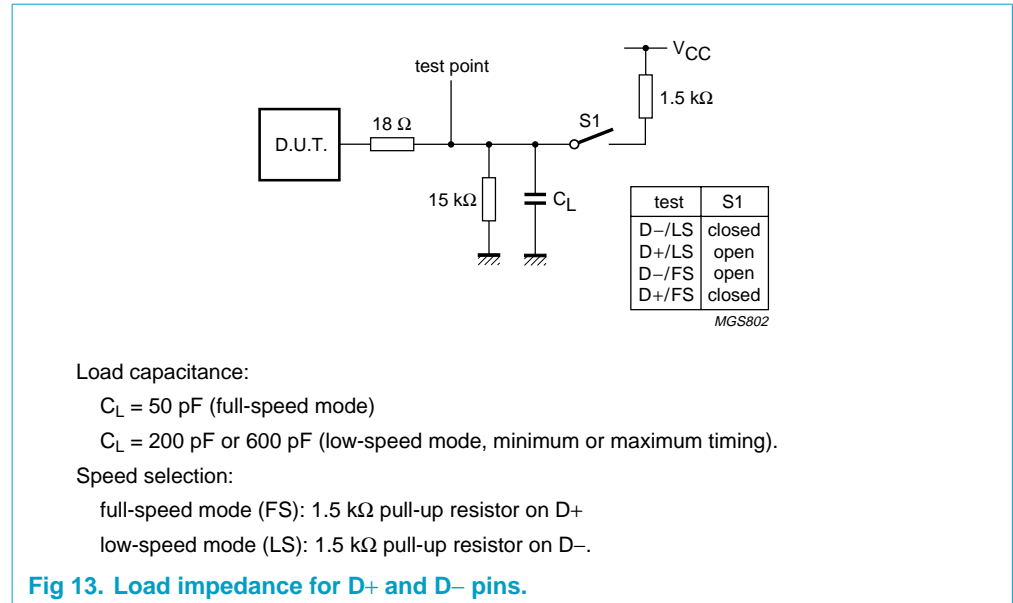


Fig 13. Load impedance for D+ and D- pins.

19. Package outline

SSOP56: plastic shrink small outline package; 56 leads; body width 7.5 mm

SOT371-1

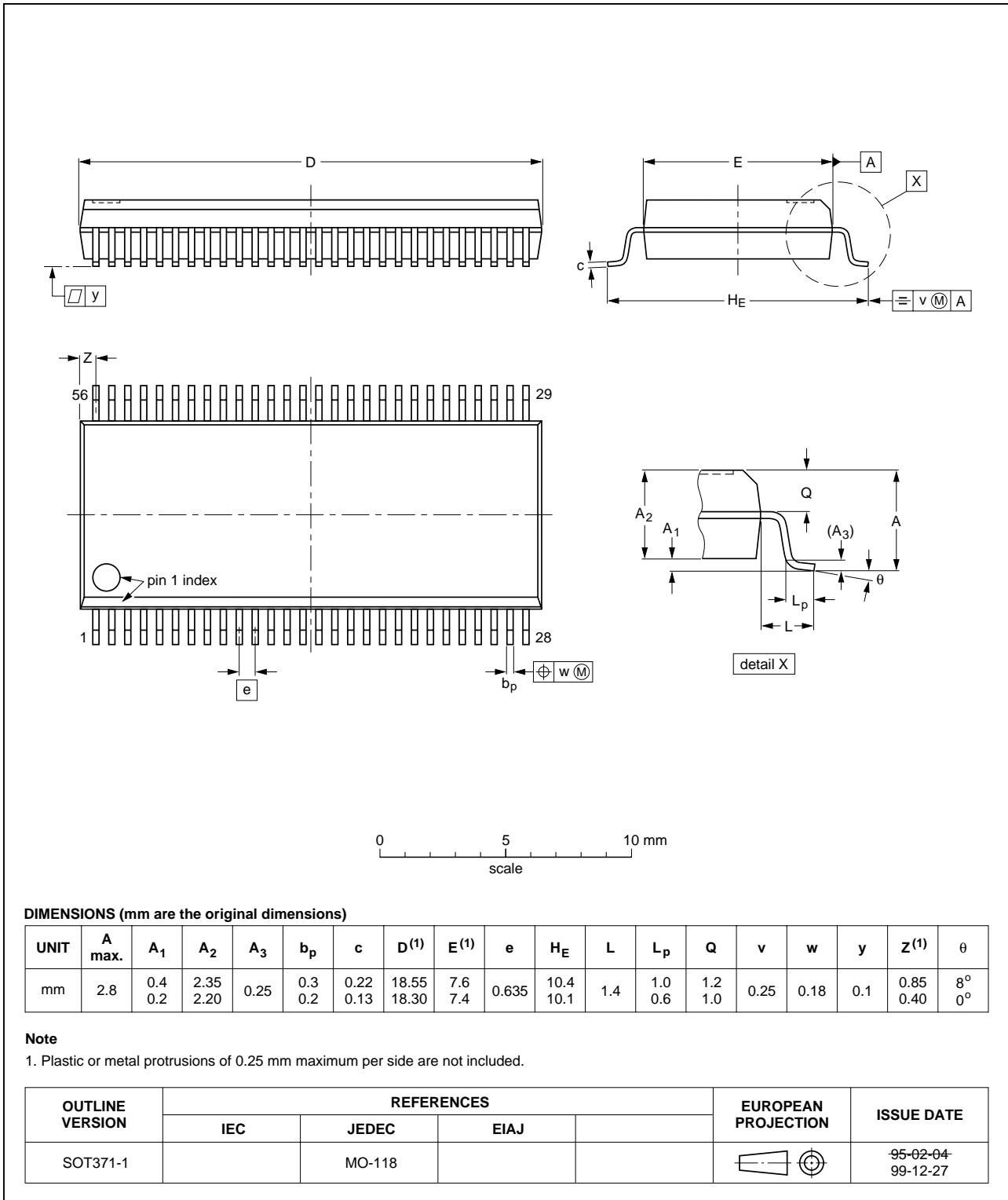


Fig 14. SSOP56 package outline.

SDIP56: plastic shrink dual in-line package; 56 leads (600 mil)

SOT400-1

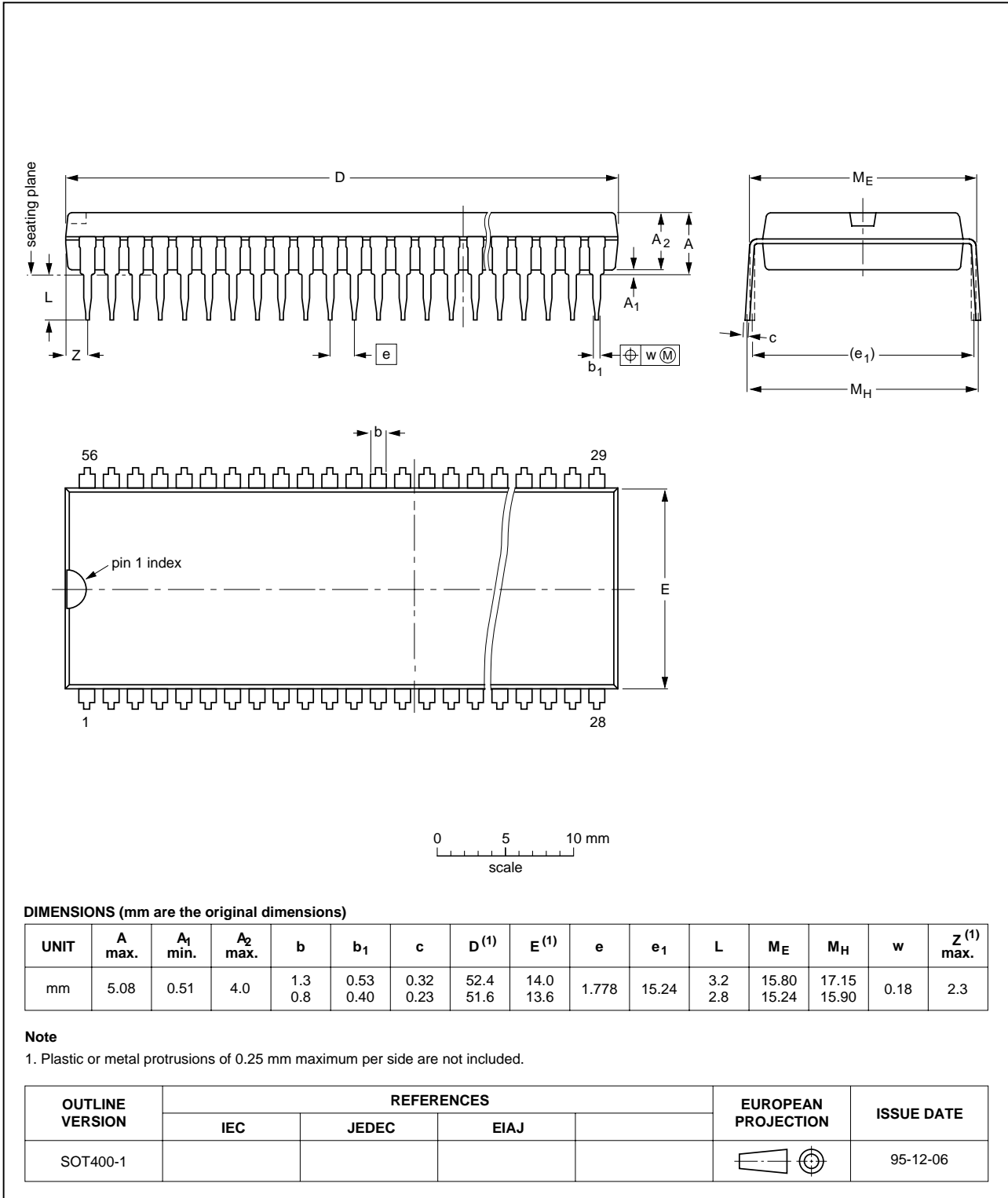


Fig 15. SDIP56 package outline.

20. Soldering

20.1 Introduction

This text gives a very brief insight to a complex technology. A more in-depth account of soldering ICs can be found in our *Data Handbook IC26; Integrated Circuit Packages* (document order number 9398 652 90011).

There is no soldering method that is ideal for all IC packages. Wave soldering is often preferred when through-hole and surface mount components are mixed on one printed-circuit board. However, wave soldering is not always suitable for surface mount ICs, or for printed-circuit boards with high population densities. In these situations reflow soldering is often used.

20.2 Surface mount packages

20.2.1 Reflow soldering

Reflow soldering requires solder paste (a suspension of fine solder particles, flux and binding agent) to be applied to the printed-circuit board by screen printing, stencilling or pressure-syringe dispensing before package placement.

Several methods exist for reflowing; for example, infrared/convection heating in a conveyor type oven. Throughput times (preheating, soldering and cooling) vary between 100 and 200 seconds depending on heating method.

Typical reflow peak temperatures range from 215 to 250 °C. The top-surface temperature of the packages should preferably be kept below 230 °C.

20.2.2 Wave soldering

Conventional single wave soldering is not recommended for surface mount devices (SMDs) or printed-circuit boards with a high component density, as solder bridging and non-wetting can present major problems.

To overcome these problems the double-wave soldering method was specifically developed.

If wave soldering is used the following conditions must be observed for optimal results:

- Use a double-wave soldering method comprising a turbulent wave with high upward pressure followed by a smooth laminar wave.
- For packages with leads on two sides and a pitch (e):
 - larger than or equal to 1.27 mm, the footprint longitudinal axis is **preferred** to be parallel to the transport direction of the printed-circuit board;
 - smaller than 1.27 mm, the footprint longitudinal axis **must** be parallel to the transport direction of the printed-circuit board.

The footprint must incorporate solder thieves at the downstream end.

- For packages with leads on four sides, the footprint must be placed at a 45° angle to the transport direction of the printed-circuit board. The footprint must incorporate solder thieves downstream and at the side corners.

During placement and before soldering, the package must be fixed with a droplet of adhesive. The adhesive can be applied by screen printing, pin transfer or syringe dispensing. The package can be soldered after the adhesive is cured.

Typical dwell time is 4 seconds at 250 °C. A mildly-activated flux will eliminate the need for removal of corrosive residues in most applications.

20.2.3 Manual soldering

Fix the component by first soldering two diagonally-opposite end leads. Use a low voltage (24 V or less) soldering iron applied to the flat part of the lead. Contact time must be limited to 10 seconds at up to 300 °C.

When using a dedicated tool, all other leads can be soldered in one operation within 2 to 5 seconds between 270 and 320 °C.

20.3 Through-hole mount packages

20.3.1 Soldering by dipping or by solder wave

The maximum permissible temperature of the solder is 260 °C; solder at this temperature must not be in contact with the joints for more than 5 seconds. The total contact time of successive solder waves must not exceed 5 seconds.

The device may be mounted up to the seating plane, but the temperature of the plastic body must not exceed the specified maximum storage temperature ($T_{stg(max)}$). If the printed-circuit board has been pre-heated, forced cooling may be necessary immediately after soldering to keep the temperature within the permissible limit.

20.3.2 Manual soldering

Apply the soldering iron (24 V or less) to the lead(s) of the package, either below the seating plane or not more than 2 mm above it. If the temperature of the soldering iron bit is less than 300 °C it may remain in contact for up to 10 seconds. If the bit temperature is between 300 and 400 °C, contact may be up to 5 seconds.

20.4 Package related soldering information

Table 93: Suitability of IC packages for wave, reflow and dipping soldering methods

Mounting	Package	Soldering method		
		Wave	Reflow ^[1]	Dipping
Through-hole mount	DBS, DIP, HDIP, SDIP, SIL	suitable ^[2]	–	suitable
Surface mount	BGA, LFBGA, SQFP, TFBGA	not suitable	suitable	–
	HBCC, HLQFP, HSQFP, HSOP, HTQFP, HTSSOP, SMS	not suitable ^[3]	suitable	–
	PLCC ^[4] , SO, SOJ	suitable	suitable	–
	LQFP, QFP, TQFP	not recommended ^{[4] [5]}	suitable	–
	SSOP, TSSOP, VSO	not recommended ^[6]	suitable	–

- [1] All surface mount (SMD) packages are moisture sensitive. Depending upon the moisture content, the maximum temperature (with respect to time) and body size of the package, there is a risk that internal or external package cracks may occur due to vaporization of the moisture in them (the so called popcorn effect). For details, refer to the Drypack information in the *Data Handbook IC26; Integrated Circuit Packages; Section: Packing Methods*.
- [2] For SDIP packages, the longitudinal axis must be parallel to the transport direction of the printed-circuit board.
- [3] These packages are not suitable for wave soldering as a solder joint between the printed-circuit board and heatsink (at bottom version) can not be achieved, and as solder may stick to the heatsink (on top version).
- [4] If wave soldering is considered, then the package must be placed at a 45° angle to the solder wave direction. The package footprint must incorporate solder thieves downstream and at the side corners.
- [5] Wave soldering is only suitable for LQFP, QFP and TQFP packages with a pitch (e) equal to or larger than 0.8 mm; it is definitely not suitable for packages with a pitch (e) equal to or smaller than 0.65 mm.
- [6] Wave soldering is only suitable for SSOP and TSSOP packages with a pitch (e) equal to or larger than 0.65 mm; it is definitely not suitable for packages with a pitch (e) equal to or smaller than 0.5 mm.

21. Revision history

Table 94: Revision history

Rev	Date	CPCN	Description
01	20000323		Objective specification; initial version.

22. Data sheet status

Datasheet status	Product status	Definition ^[1]
Objective specification	Development	This data sheet contains the design target or goal specifications for product development. Specification may change in any manner without notice.
Preliminary specification	Qualification	This data sheet contains preliminary data, and supplementary data will be published at a later date. Philips Semiconductors reserves the right to make changes at any time without notice in order to improve design and supply the best possible product.
Product specification	Production	This data sheet contains final specifications. Philips Semiconductors reserves the right to make changes at any time without notice in order to improve design and supply the best possible product.

[1] Please consult the most recently issued data sheet before initiating or completing a design.

23. Definitions

Short-form specification — The data in a short-form specification is extracted from a full data sheet with the same type number and title. For detailed information see the relevant data sheet or data handbook.

Limiting values definition — Limiting values given are in accordance with the Absolute Maximum Rating System (IEC 60134). Stress above one or more of the limiting values may cause permanent damage to the device. These are stress ratings only and operation of the device at these or at any other conditions above those given in the Characteristics sections of the specification is not implied. Exposure to limiting values for extended periods may affect device reliability.

Application information — Applications that are described herein for any of these products are for illustrative purposes only. Philips Semiconductors make no representation or warranty that such applications will be suitable for the specified use without further testing or modification.

24. Disclaimers

Life support — These products are not designed for use in life support appliances, devices, or systems where malfunction of these products can reasonably be expected to result in personal injury. Philips Semiconductors

26. Trademarks

ACPI — is an open industry specification for PC power management, co-developed by Intel Corp., Microsoft Corp. and Toshiba

GoodLink — is a trademark of Royal Philips Electronics

OnNow — is a trademark of Microsoft Corp.

customers using or selling these products for use in such applications do so at their own risk and agree to fully indemnify Philips Semiconductors for any damages resulting from such application.

Right to make changes — Philips Semiconductors reserves the right to make changes, without notice, in the products, including circuits, standard cells, and/or software, described or contained herein in order to improve design and/or performance. Philips Semiconductors assumes no responsibility or liability for the use of any of these products, conveys no licence or title under any patent, copyright, or mask work right to these products, and makes no representations or warranties that these products are free from patent, copyright, or mask work right infringement, unless otherwise specified.

25. Licenses

Purchase of Philips I²C components



Purchase of Philips I²C components conveys a license under the Philips' I²C patent to use the components in the I²C system provided the system conforms to the I²C specification defined by Philips. This specification can be ordered using the code 9398 393 40011.

SMBus — is a bus specification for PC power management, developed by Intel Corp. based on the I²C-bus from Royal Philips Electronics

SoftConnect — is a trademark of Royal Philips Electronics

Philips Semiconductors - a worldwide company

Argentina: see South America

Australia: Tel. +61 2 9704 8141, Fax. +61 2 9704 8139

Austria: Tel. +43 160 101, Fax. +43 160 101 1210

Belarus: Tel. +375 17 220 0733, Fax. +375 17 220 0773

Belgium: see The Netherlands

Brazil: see South America

Bulgaria: Tel. +359 268 9211, Fax. +359 268 9102

Canada: Tel. +1 800 234 7381

China/Hong Kong: Tel. +852 2 319 7888, Fax. +852 2 319 7700

Colombia: see South America

Czech Republic: see Austria

Denmark: Tel. +45 3 288 2636, Fax. +45 3 157 0044

Finland: Tel. +358 961 5800, Fax. +358 96 158 0920

France: Tel. +33 14 099 6161, Fax. +33 14 099 6427

Germany: Tel. +49 40 23 5360, Fax. +49 402 353 6300

Hungary: see Austria

India: Tel. +91 22 493 8541, Fax. +91 22 493 8722

Indonesia: see Singapore

Ireland: Tel. +353 17 64 0000, Fax. +353 17 64 0200

Israel: Tel. +972 36 45 0444, Fax. +972 36 49 1007

Italy: Tel. +39 039 203 6838, Fax. +39 039 203 6800

Japan: Tel. +81 33 740 5130, Fax. +81 3 3740 5057

Korea: Tel. +82 27 09 1412, Fax. +82 27 09 1415

Malaysia: Tel. +60 37 50 5214, Fax. +60 37 57 4880

Mexico: Tel. +9-5 800 234 7381

Middle East: see Italy

For all other countries apply to: Philips Semiconductors,
International Marketing & Sales Communications,
Building BE, P.O. Box 218, 5600 MD EINDHOVEN,
The Netherlands, Fax. +31 40 272 4825

Netherlands: Tel. +31 40 278 2785, Fax. +31 40 278 8399

New Zealand: Tel. +64 98 49 4160, Fax. +64 98 49 7811

Norway: Tel. +47 22 74 8000, Fax. +47 22 74 8341

Philippines: Tel. +63 28 16 6380, Fax. +63 28 17 3474

Poland: Tel. +48 22 5710 000, Fax. +48 22 5710 001

Portugal: see Spain

Romania: see Italy

Russia: Tel. +7 095 755 6918, Fax. +7 095 755 6919

Singapore: Tel. +65 350 2538, Fax. +65 251 6500

Slovakia: see Austria

Slovenia: see Italy

South Africa: Tel. +27 11 471 5401, Fax. +27 11 471 5398

South America: Tel. +55 11 821 2333, Fax. +55 11 829 1849

Spain: Tel. +34 33 01 6312, Fax. +34 33 01 4107

Sweden: Tel. +46 86 32 2000, Fax. +46 86 32 2745

Switzerland: Tel. +41 14 88 2686, Fax. +41 14 81 7730

Taiwan: Tel. +886 22 134 2865, Fax. +886 22 134 2874

Thailand: Tel. +66 27 45 4090, Fax. +66 23 98 0793

Turkey: Tel. +90 216 522 1500, Fax. +90 216 522 1813

Ukraine: Tel. +380 44 264 2776, Fax. +380 44 268 0461

United Kingdom: Tel. +44 208 730 5000, Fax. +44 208 754 8421

United States: Tel. +1 800 234 7381

Uruguay: see South America

Vietnam: see Singapore

Yugoslavia: Tel. +381 11 3341 299, Fax. +381 11 3342 553

Internet: <http://www.semiconductors.philips.com>

(SCA69)

Contents

1	General description	1	11	I²C-bus interface	46
2	Features	1	11.1	Protocol	47
3	Ordering information	2	11.2	Hardware connections	47
4	Block diagram	3	11.3	Data transfer	48
5	Pinning information	4	12	Hub power modes	52
5.1	Pinning	4	12.1	Voltage drop requirements	52
5.2	Pin description	5	13	Overcurrent detection	53
6	Functional description	7	13.1	Overcurrent circuit description	53
6.1	80C51 microcontroller	8	13.2	Power switch selection	53
6.2	Analog transceivers	8	13.3	Tuning the overcurrent trip voltage	53
6.3	Philips Serial Interface Engine (SIE)	8	13.4	Reference circuit	54
6.4	Hub repeater	8	14	Limiting values	55
6.5	End-of-frame timers	8	15	Static characteristics	56
6.6	General and individual port controller	8	16	Dynamic characteristics	57
6.7	GoodLink	9	17	Application information	58
6.8	SoftConnect	9	18	Test information	59
6.9	Bit clock recovery	10	19	Package outline	60
6.10	Voltage regulator	10	20	Soldering	62
6.11	PLL clock multiplier	10	20.1	Introduction	62
6.12	Overcurrent detection	10	20.2	Surface mount packages	62
6.13	Power-on reset	10	20.3	Through-hole mount packages	63
6.14	I ² C-bus interface	10	20.4	Package related soldering information	64
7	Endpoint descriptions	11	21	Revision history	65
7.1	Endpoint configuration	11	22	Data sheet status	66
7.2	Hub endpoint 0 (control)	12	23	Definitions	66
7.3	Hub endpoint 1 (interrupt)	12	24	Disclaimers	66
8	Host requests	13	25	Licenses	66
8.1	Standard requests	13	26	Trademarks	66
8.2	Hub specific requests	14			
8.3	Descriptors	16			
8.4	Hub responses	19			
9	Commands	22			
9.1	Initialization commands	24			
9.2	Data flow commands	25			
9.3	General commands	30			
10	Keyboard controller	34			
10.1	Microcontroller core	34			
10.2	Memory map	34			
10.3	Special function registers (SFRs)	35			
10.4	Hub control registers	39			
10.5	Interrupt structure	39			
10.6	Timers/counters	40			
10.7	Watchdog timer	42			
10.8	I/O description	44			
10.9	I/O port mapping	44			
10.10	Keyboard matrix implementation	44			
10.11	Suspend and resume	45			


PHILIPS
Let's make things better.