



ISP1362

Single-chip Universal Serial Bus On-The-Go controller

Rev. 04 — 24 December 2004

Product data

1. General description

The ISP1362 is a single-chip Universal Serial Bus (USB) On-The-Go (OTG) controller integrated with the advanced Philips Slave Host Controller (PSHC) and the Philips ISP1181B Device Controller (DC). The USB OTG controller is compliant with *On-The-Go Supplement to the USB 2.0 Specification Rev. 1.0a*. The host and device controllers are compliant with *Universal Serial Bus Specification Rev. 2.0*, supporting data transfer at full-speed (12 Mbit/s) and low-speed (1.5 Mbit/s).

The ISP1362 has two USB ports: port 1 and port 2. Port 1 can be hardware configured to function as a downstream port, an upstream port or an OTG port whereas port 2 can only be used as a downstream port. The OTG port can switch roles from host to peripheral, or from peripheral to host. The OTG port can become a host through the Host Negotiation Protocol (HNP) as specified in the OTG supplement.

A USB product with OTG capability can function either as a host or as a peripheral. For instance, with this dual-role capability, a Personal Computer (PC) peripheral such as a printer may switch roles from a peripheral to a host for connecting to a digital camera so that the printer can print pictures taken by the camera without using a PC. When a USB product with OTG capability is inactive, the USB interface is turned off. This feature has made OTG a technology well-suited for use in portable devices—such as, Personal Digital Assistant (PDA), Digital Still Camera (DSC) and mobile phone—in which power consumption is a concern. The ISP1362 is an OTG controller designed to perform such functions.

2. Features

- Complies fully with:
 - ◆ *Universal Serial Bus Specification Rev. 2.0*
 - ◆ *On-The-Go Supplement to the USB 2.0 Specification Rev. 1.0a*
- Supports data transfer at full-speed (12 Mbit/s) and low-speed (1.5 Mbit/s)
- Adapted from *Open Host Controller Interface Specification for USB Release 1.0a*
- USB OTG:
 - ◆ Supports Host Negotiation Protocol (HNP) and Session Request Protocol (SRP) for OTG dual-role devices
 - ◆ Provides status and control signals for software implementation of HNP and SRP
 - ◆ Provides programmable timers required for HNP and SRP
 - ◆ Supports built-in and external source of V_{BUS}
 - ◆ Output current of the built-in charge pump is adjustable by using an external capacitor



PHILIPS

- USB host:
 - ◆ Supports integrated physical 4096 bytes of multiconfiguration memory
 - ◆ Supports all four types of USB transfers: control, bulk, interrupt and isochronous
 - ◆ Supports multiframe buffering for isochronous transfer
 - ◆ Supports automatic interrupt polling rate mechanism
 - ◆ Supports paired buffering for bulk transfer
 - ◆ Directly addressable memory architecture; memory can be updated on-the-fly
- USB device:
 - ◆ Supports high performance USB interface device with integrated Serial Interface Engine (SIE), buffer memory and transceiver
 - ◆ Supports fully autonomous and multiconfiguration DMA operation
 - ◆ Supports up to 14 programmable USB endpoints with 2 fixed control IN/OUT endpoints
 - ◆ Supports integrated physical 2462 bytes of multiconfiguration memory
 - ◆ Supports endpoints with double buffering to increase throughput and ease real-time data transfer
 - ◆ Supports controllable LazyClock (110 kHz \pm 50 %) output during 'suspend'
- Supports two USB ports: port 1 and port 2
 - ◆ Port 1 can be configured to function as a downstream port, an upstream port or an OTG port
 - ◆ Port 2 can be used only as a downstream port
- Supports software-controlled connection to the USB bus (SoftConnect™)
- Supports good USB connection indicator that blinks with traffic (GoodLink™)
- Complies with USB power management requirements
- Supports internal power-on and low-voltage reset circuit, with possibility of a software reset
- Supports operation over the extended USB voltage range (4.0 V to 5.5 V) with 5 V tolerant I/O pads
- High-speed parallel interface to most CPUs available in the market, such as Hitachi SH-3, Intel® StrongARM®, Philips XA, Fujitsu SPARClite®, NEC and Toshiba MIPS, ARM7/9, Motorola DragonBall™ and PowerPC™ Reduced Instruction Set Computer (RISC):
 - ◆ 16-bit data bus
 - ◆ 10 Mbyte/s data transfer rate between the microprocessor and ISP1362
- Supports Programmed I/O (PIO) or Direct Memory Access (DMA)
- Supports 'suspend' and remote wake-up
- Uses 12 MHz crystal or direct clock source with on-chip Phase-Locked Loop (PLL) for low Electro-Magnetic Interference (EMI)
- Operates at 3.3 V power supply
- Operating temperature range from -40 °C to $+85$ °C
- Available in 64-pin LQFP and TFBGA packages.

3. Applications

The ISP1362 can be used to implement a dual-role USB device in any application—USB host or USB peripheral—depending on the cable connection. If the dual-role device is connected to a typical USB peripheral, it behaves like a typical USB host. The dual-role device, however, can also be connected to a PC or any other USB host and behave like a typical USB peripheral.

3.1 Host/peripheral roles

- Mobile phone to/from:
 - ◆ Mobile phone: exchange contact information
 - ◆ Digital still camera: e-mail pictures or upload pictures to the web
 - ◆ MP3 player: upload, download and broadcast music
 - ◆ Mass storage: upload and download files
 - ◆ Scanner: scan business cards
- Digital still camera to/from:
 - ◆ Digital still camera: exchange pictures
 - ◆ Mobile phone: e-mail pictures, upload pictures to the web
 - ◆ Printer: print pictures
 - ◆ Mass storage: store pictures
- Printer to/from:
 - ◆ Digital still camera: print pictures
 - ◆ Scanner: print scanned image
 - ◆ Mass storage: print files stored in a device
- MP3 player to/from:
 - ◆ MP3 player: exchange songs
 - ◆ Mass storage: upload and download songs
- Oscilloscope to/from:
 - ◆ Printer: print screen image
- Personal digital assistant to/from:
 - ◆ Personal digital assistant: exchange files
 - ◆ Printer: print files
 - ◆ Mobile phone: upload and download files
 - ◆ MP3 player: upload and download songs
 - ◆ Scanner: scan pictures
 - ◆ Mass storage: upload and download files
 - ◆ Global Positioning System (GPS): obtain directions, mapping information
 - ◆ Digital still camera: upload pictures
 - ◆ Oscilloscope: configure oscilloscope.

4. Abbreviations

DC	— Device Controller
DMA	— Direct Memory Access
DSC	— Digital Still Camera
EMI	— Electro-Magnetic Interference
GPS	— Global Positioning System
HC	— Host Controller
HCD	— Host Controller Driver
HNP	— Host Negotiation Protocol
OTG	— On-The-Go
PDA	— Personal Digital Assistant
PIO	— Programmed Input/Output
PLL	— Phase-Locked Loop
PSHC	— Philips Slave Host Controller
SIE	— Serial Interface Engine
SRP	— Session Request Protocol
USB	— Universal Serial Bus.

5. Ordering information

Table 1: Ordering information

Type number	Package		
	Name	Description	Version
ISP1362BD	LQFP64	plastic low profile quad flat package; 64 leads; body 10 x 10 x 1.4 mm	SOT314-2
ISP1362EE	TFBGA64	plastic thin fine-pitch ball grid array package; 64 balls; body 6 x 6 x 0.8 mm	SOT543-1
ISP1362EE/01			

6. Block diagram

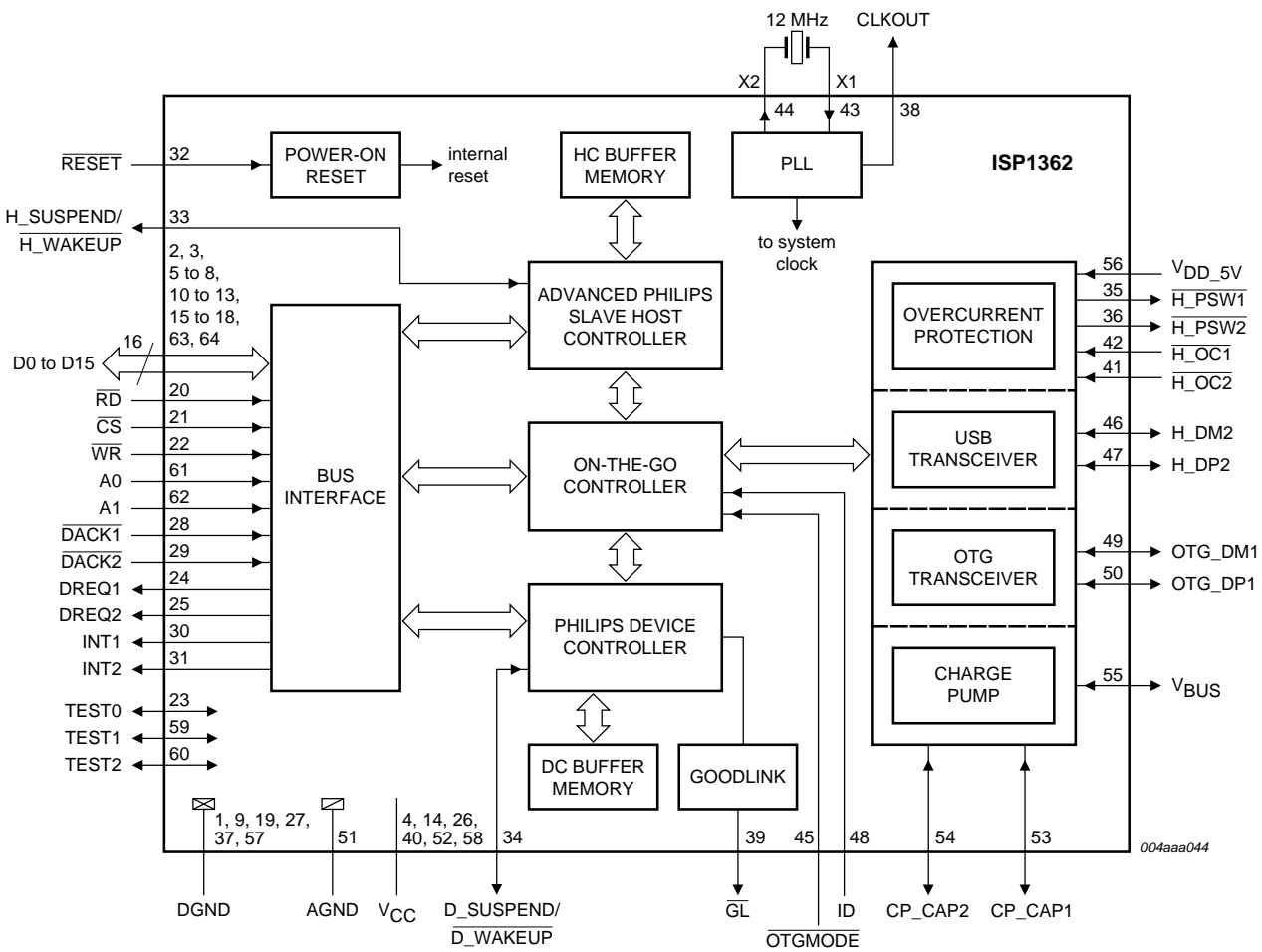


Fig 1. Block diagram.

7. Pinning information

7.1 Pinning

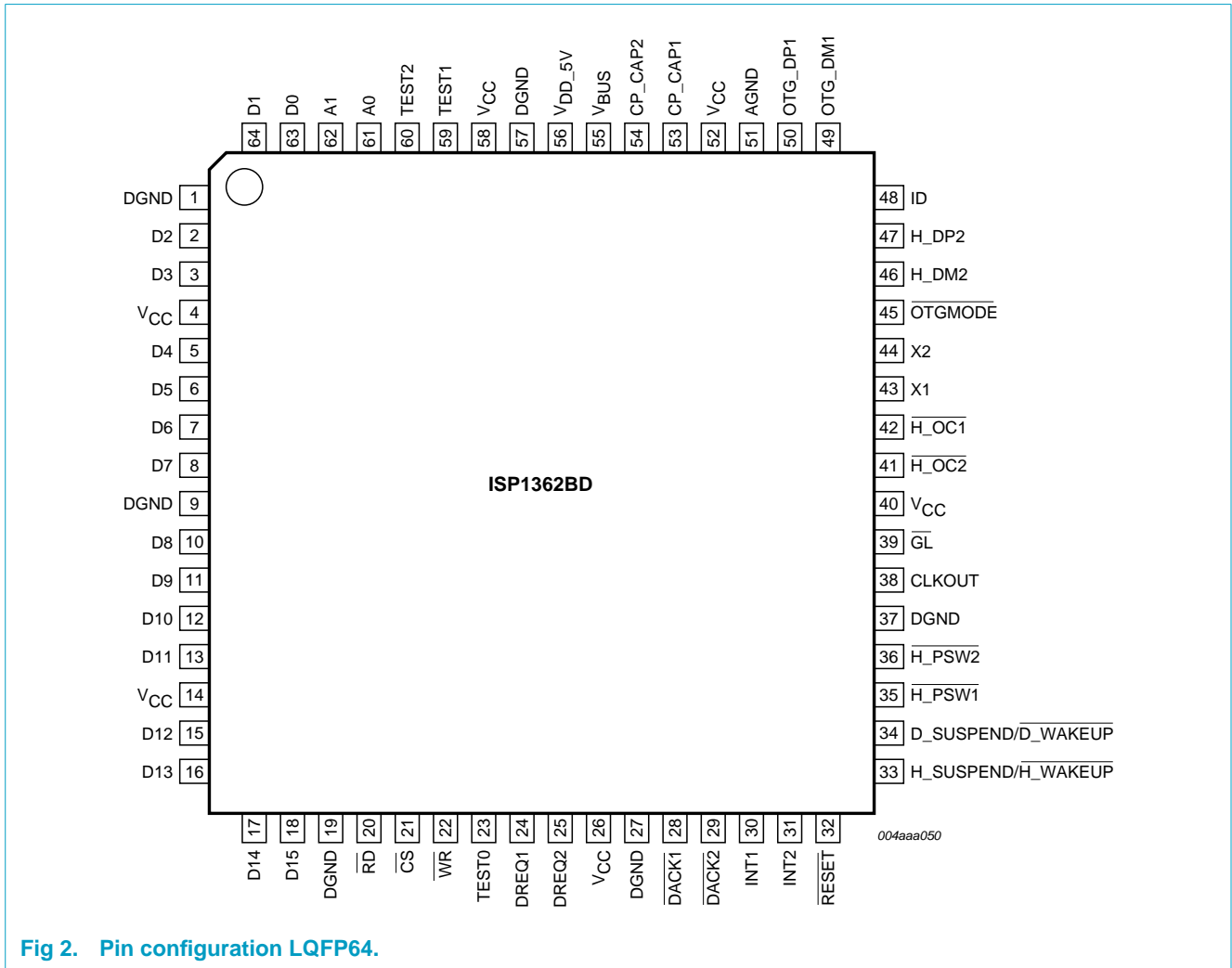
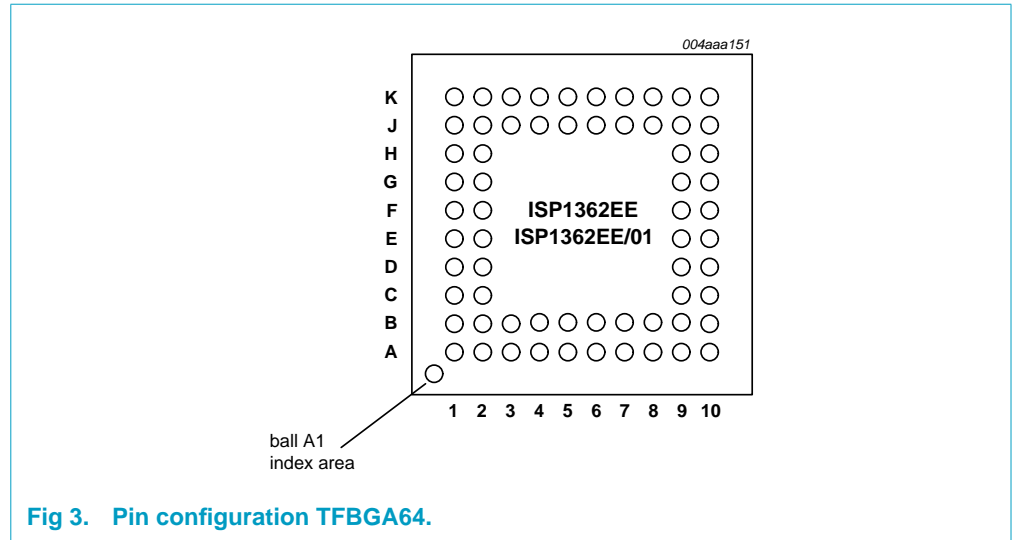


Fig 2. Pin configuration LQFP64.



7.2 Pin description

Table 2: Pin description

Symbol ^[1]	Pin LQFP64	Ball TFBGA64	Type ^[2]	Description
DGND	1	B1	-	digital ground
D2	2	C2	I/O	bit 2 of the bidirectional data bus that connects to the internal registers and buffer memory of the ISP1362; the bus is in the high-impedance state when it is idle bidirectional, push-pull input, three-state output
D3	3	C1	I/O	bit 3 of the bidirectional data bus that connects to the internal registers and buffer memory of the ISP1362; the bus is in the high-impedance state when it is idle bidirectional, push-pull input, three-state output
V _{CC}	4	D2	-	supply voltage (3.3 V); it is recommended to connect a decoupling capacitor of 0.01 μ F
D4	5	D1	I/O	bit 4 of the bidirectional data bus that connects to the internal registers and buffer memory of the ISP1362; the bus is in the high-impedance state when it is idle bidirectional, push-pull input, three-state output
D5	6	E2	I/O	bit 5 of the bidirectional data bus that connects to the internal registers and buffer memory of the ISP1362; the bus is in the high-impedance state when it is idle bidirectional, push-pull input, three-state output
D6	7	E1	I/O	bit 6 of the bidirectional data bus that connects to the internal registers and buffer memory of the ISP1362; the bus is in the high-impedance state when it is idle bidirectional, push-pull input, three-state output
D7	8	F2	I/O	bit 7 of the bidirectional data bus that connects to the internal registers and buffer memory of the ISP1362; the bus is in the high-impedance state when it is idle bidirectional, push-pull input, three-state output
DGND	9	F1	-	digital ground
D8	10	G2	I/O	bit 8 of the bidirectional data bus that connects to the internal registers and buffer memory of the ISP1362; the bus is in the high-impedance state when it is idle bidirectional, push-pull input, three-state output
D9	11	G1	I/O	bit 9 of the bidirectional data bus that connects to the internal registers and buffer memory of the ISP1362; the bus is in the high-impedance state when it is idle bidirectional, push-pull input, three-state output
D10	12	H2	I/O	bit 10 of the bidirectional data bus that connects to the internal registers and buffer memory of the ISP1362; the bus is in the high-impedance state when it is idle bidirectional, push-pull input, three-state output
D11	13	H1	I/O	bit 11 of the bidirectional data bus that connects to the internal registers and buffer memory of the ISP1362; the bus is in the high-impedance state when it is idle bidirectional, push-pull input, three-state output

Table 2: Pin description...continued

Symbol ^[1]	Pin LQFP64	Ball TFBGA64	Type ^[2]	Description
V _{CC}	14	J2	-	supply voltage (3.3 V); it is recommended to connect a decoupling capacitor of 0.01 μF
D12	15	J1	I/O	bit 12 of the bidirectional data bus that connects to the internal registers and buffer memory of the ISP1362; the bus is in the high-impedance state when it is idle bidirectional, push-pull input, three-state output
D13	16	K1	I/O	bit 13 of the bidirectional data bus that connects to the internal registers and buffer memory of the ISP1362; the bus is in the high-impedance state when it is idle bidirectional, push-pull input, three-state output
D14	17	K2	I/O	bit 14 of the bidirectional data bus that connects to the internal registers and buffer memory of the ISP1362; the bus is in the high-impedance state when it is idle bidirectional, push-pull input, three-state output
D15	18	J3	I/O	bit 15 of the bidirectional data bus that connects to the internal registers and buffer memory of the ISP1362; the bus is in the high-impedance state when it is idle bidirectional, push-pull input, three-state output
DGND	19	K3	-	digital ground
$\overline{\text{RD}}$	20	J4	I	read strobe input; when asserted LOW, it indicates that the HC/DC driver is requesting a read to the buffer memory or the internal registers of the HC/DC input with hysteresis
$\overline{\text{CS}}$	21	K4	I	chip select input (active LOW); enables the HC/DC driver to access the buffer memory and registers of the HC/DC input
$\overline{\text{WR}}$	22	J5	I	write strobe input; when asserted LOW, it indicates that the HC/DC driver is requesting a write to the buffer memory or the internal registers of the HC/DC input with hysteresis
TEST0	23	K5	I/O	for test input and output; pulled HIGH by a 100 kΩ resistor bidirectional, push-pull input, three-state output
DREQ1	24	J6	O	DMA request output; when active, it signals the DMA controller that a data transfer is requested by the HC; the active level (HIGH or LOW) of the request is programmed by using the HcHardwareConfiguration register (20H/A0H) If the OneDMA bit of the HcHardwareConfiguration register is set to logic 1, both the HC and DC DMA channel will be routed to DREQ1 and $\overline{\text{DACK1}}$. push-pull output
DREQ2	25	K6	O	DMA request output; when active, it signals the DMA controller that a data transfer is requested by the DC; the active level (HIGH or LOW) of the request is programmed by using the DcHardwareConfiguration register (BAH/BBH) push-pull output

Table 2: Pin description...continued

Symbol ^[1]	Pin LQFP64	Ball TFBGA64	Type ^[2]	Description
V _{CC}	26	J7	-	supply voltage (3.3 V); it is recommended to connect a decoupling capacitor of 0.01 μF
DGND	27	K7	-	digital ground
DACK1	28	J8	I	DMA acknowledge input; indicates that a request for DMA transfer from the HC has been granted by the DMA controller; the active level (HIGH or LOW) of the acknowledge signal is programmed by using the HcHardwareConfiguration register (20H/A0H); when not in use, this pin must be connected to V _{CC} through a 10 kΩ resistor input with hysteresis
DACK2	29	K8	I	DMA acknowledge input; indicates that a request for DMA transfer from the DC has been granted by the DMA controller; the active level (HIGH or LOW) of the acknowledge signal is programmed by using the DcHardwareConfiguration register (BAH/BBH); when not in use, this pin must be connected to V _{CC} through a 10 kΩ resistor input with hysteresis
INT1	30	J9	O	interrupt request from the HC; provides a mechanism for the HC to interrupt the microprocessor; see HcHardwareConfiguration register (20H/A0H) Section 15.4.1 for details If the OneINT bit of the HcHardwareConfiguration register is set to logic 1, both the HC and DC interrupt request will be routed to INT1. push-pull output
INT2	31	K9	O	interrupt request from the DC; provides a mechanism for the DC to interrupt the microprocessor; see DcHardwareConfiguration register (BAH/BBH) Section 16.1.4 for details push-pull output
RESET	32	K10	I	reset input input with hysteresis and internal pull-up resistor
H_SUSPEND/ H_WAKEUP	33	J10	I/O	I/O pin (open-drain); goes HIGH when the HC is in the 'suspend' mode; a LOW pulse must be applied to this pin to wake up the HC; connect a 100 kΩ resistor to V _{CC} bidirectional, push-pull input, three-state open-drain output
D_SUSPEND/ D_WAKEUP	34	H9	I/O	I/O pin (open-drain); goes HIGH when the DC is in the 'suspend' mode; a LOW pulse must be applied to this pin to wake up the DC; connect a 100 kΩ resistor to V _{CC} bidirectional, push-pull input, three-state open-drain output
H_PSW1	35	H10	O	connects to the external PMOS switch; required when the external charge pump or external V _{BUS} is used for providing V _{BUS} to the downstream port LOW — switches ON the PMOS providing V _{BUS} to the downstream port HIGH — switches OFF the PMOS when not in use, leave this pin open open-drain output

Table 2: Pin description...continued

Symbol ^[1]	Pin LQFP64	Ball TFBGA64	Type ^[2]	Description
H_PSW2	36	G9	O	connects to the external PMOS switch LOW — switches ON the PMOS providing V_{BUS} to the downstream port HIGH — switches OFF the PMOS when not in use, leave this pin open open-drain output
DGND	37	G10	-	digital ground
CLKOUT	38	F9	O	programmable clock output; the default clock frequency is 12 MHz and can be varied from 3 MHz to 48 MHz push-pull output
\overline{GL}	39	F10	O	GoodLink LED indicator output; the LED is OFF by default, blinks ON upon USB traffic open-drain output; 4 mA
V_{CC}	40	E9	-	supply voltage (3.3 V); it is recommended to connect a decoupling capacitor of 0.01 μ F
$\overline{H_OC2}$	41	E10	I	overcurrent sense input for downstream port 2; both the digital and analog overcurrent inputs can be used for port 2, depending on the hardware mode register setting; when not in use, it is recommended to connect this pin to the V_{DD_5V} pin
$\overline{H_OC1}$	42	D9	I	overcurrent sensing input for downstream port 1; both the digital and analog overcurrent inputs can be used for port 1, depending on the hardware mode register setting; when not in use, it is recommended to connect this pin to the V_{DD_5V} pin
X1	43	D10	AI	crystal input; connected directly to a 12 MHz crystal; when this pin is connected to an external clock oscillator, leave pin X2 open
X2	44	C9	AO	crystal output; connected directly to a 12 MHz crystal; when pin X1 is connected to an external clock oscillator, leave this pin open
$\overline{OTGMODE}$	45	C10	I	to select whether port 1 is operating in the OTG or non-OTG mode; see Table 8 input with hysteresis
H_DM2	46	B9	AI/O	downstream D ⁻ signal; host only, port 2; when not in use, leave this pin open and set bit ConnectPullDown_DS2 of the HcHardwareConfiguration register
H_DP2	47	B10	AI/O	downstream D ⁺ signal; host only, port 2; when not in use, leave this pin open and set bit ConnectPullDown_DS2 of the HcHardwareConfiguration register
ID	48	A10	I	input pin for sensing OTG ID; the status of this input pin is reflected in the OTGStatus register (bit 0); see Table 8 input with hysteresis
OTG_DM1	49	A9	AI/O	D ⁻ signal of the OTG port, the downstream host port 1 or the upstream device port; when not in use, leave this pin open and set bit ConnectPullDown_DS1 of the HcHardwareConfiguration register ^[3]
OTG_DP1	50	B8	AI/O	D ⁺ signal of the OTG port, the downstream host port 1 or the upstream device port; when not in use, leave this pin open and set bit ConnectPullDown_DS1 of the HcHardwareConfiguration register ^[3]

Table 2: Pin description...continued

Symbol ^[1]	Pin LQFP64	Ball TFBGA64	Type ^[2]	Description
AGND	51	A8	-	analog ground; used for OTG ATX
V _{CC}	52	B7	-	supply voltage (3.3 V); it is recommended to connect a decoupling capacitor of 0.01 μF
CP_CAP1	53	A7	AI/O	charge pump capacitor pin 1; low ESR; see Section 11.6
CP_CAP2	54	B6	AI/O	charge pump capacitor pin 2; low ESR; see Section 11.6
V _{BUS}	55	A6	I/O	analog input and output OTG mode — built-in charge pump output or V _{BUS} voltage comparators input; connect to pin V _{BUS} of the OTG connector DC mode — input as V _{BUS} sensing; connect to pin V _{BUS} of the upstream connector HC mode — not used; leave open
V _{DD_5V}	56	B5	I	supply reference voltage (5 V); to be used together with built-in overcurrent circuit; when built-in overcurrent circuit is not in use, this pin can be tied to V _{CC} ; it is recommended to connect a decoupling capacitor of 0.01 μF
DGND	57	A5	-	digital ground
V _{CC}	58	B4	-	supply voltage (3.3 V); it is recommended to connect a decoupling capacitor of 0.01 μF
TEST1	59	A4	I/O	for test input and output, pulled to GND by a 10 kΩ resistor bidirectional, push-pull input, three-state output
TEST2	60	B3	I/O	for test input and output, pulled to GND by a 10 kΩ resistor bidirectional, push-pull input, three-state output
A0	61	A3	I	command or data phase input
A1	62	B2	I	LOW — PIO bus of the HC is selected HIGH — PIO bus of the DC is selected input
D0	63	A2	I/O	bit 0 of the bidirectional data bus that connects to the internal registers and buffer memory of the ISP1362; the bus is in the high-impedance state when it is idle bidirectional, push-pull input, three-state output
D1	64	A1	I/O	bit 1 of the bidirectional data bus that connects to the internal registers and buffer memory of the ISP1362; the bus is in the high-impedance state when it is idle bidirectional, push-pull input, three-state output

[1] Symbol names with an overscore (for example, \overline{NAME}) represent active LOW signals.

[2] All I/O pads are 5 V tolerant.

[3] In the OTG mode, this pin is pulled down by an internal resistor.

8. Functional description

8.1 On-The-Go (OTG) controller

The OTG Controller provides all the control, monitoring and switching functions required in OTG operations.

8.2 Advanced Philips Slave Host Controller (PSHC)

The advanced Philips Slave HC is designed for highly optimized USB host functionality. Many advanced features are integrated to fully utilize the USB bandwidth. A number of tasks are performed at the hardware level. This reduces the requirement on the microprocessor and thus speeds up the system.

8.3 Philips Device Controller (DC)

The Philips DC is a high performance USB device with up to 14 programmable endpoints. These endpoints can be configured as double-buffered endpoints to further enhance the throughput.

8.4 Phase-Locked Loop (PLL) clock multiplier

A 12 MHz-to-48 MHz clock multiplier PLL is integrated on-chip. This allows the use of a low-cost 12 MHz crystal that also minimizes Electro-Magnetic Interference (EMI) because of low frequency. No external components are required for the operation of PLL.

8.5 USB and OTG transceivers

The integrated transceivers (for typical downstream port) directly interface to the USB connectors (type A) and cables through some termination resistors. The transceiver is compliant with *Universal Serial Bus Specification Rev 2.0*.

8.6 Overcurrent protection

The ISP1362 has a built-in overcurrent protection circuitry. This feature monitors the current drawn on the downstream V_{BUS} and switches off V_{BUS} when the current exceeds the current threshold. The built-in overcurrent protection feature can be used when the port acts as a host port.

8.7 Bus interface

The bus interface connects the microprocessor to the USB host and the USB device allowing fast and easy access to both.

8.8 DC and HC buffer memory

4096 bytes (host) and 2462 bytes (device) of built-in memory provide sufficient space for the buffering of USB traffic. Memory in the HC is addressable by using the fast and versatile direct addressing method.

8.9 GoodLink

Indication of a good USB connection is provided through the GoodLink technology (open-drain, maximum current: 4 mA). During enumeration, LED indicators blink ON momentarily corresponding to the enumeration traffic of the ISP1362 ports. The LED also blinks ON whenever there is valid traffic to the USB ports. In the 'suspend' mode, the LED is OFF.

This feature of GoodLink provides a user-friendly indication on the status of the USB traffic between the host and the hub, as well as the connected devices. It is a useful diagnostics tool to isolate faulty equipment and helps to reduce field support and hotline costs.

8.10 Charge pump

The charge pump generates a 5 V supply from 3.3 V to drive V_{BUS} when the ISP1362 is an A-device in the OTG mode. For details, see [Section 11.6](#).

9. Host and device bus interface

The interface between the external microprocessor and the ISP1362 Host Controller (HC) and Device Controller (DC) is separately handled by the individual bus interface circuitry. The host or device automux selects the path for the host access or the device access. This selection is determined by the A1 address line. For any access to HC or DC registers, the command phase and the data phase are needed, which is determined by the A0 address line.

All the functionality of the ISP1362 can be accessed using a group of registers and two buffer memory areas (one for the HC and the other the DC). Registers can be accessed using the Programmed I/O (PIO) mode. The buffer memory can be accessed using both the PIO and direct memory access (DMA) modes.

When \overline{CS} is LOW (active), the address pin A1 has priority over \overline{DREQ} and \overline{DACK} . Therefore, as long as the \overline{CS} pin is held LOW, the ISP1362 bus interface does not respond to any \overline{DACK} signals. When \overline{CS} is HIGH (inactive), the bus interface will respond to \overline{DREQn} and \overline{DACKn} . The address pin A1 will be ignored when \overline{CS} is inactive.

An active \overline{DACKn} signal when the \overline{DREQn} is inactive will be ignored. If $\overline{DREQ1}$, $\overline{DACK1}$, $\overline{DREQ2}$ and $\overline{DACK2}$ are active, the bus interface will be switched off to avoid potential data corruption.

[Table 3](#) provides the bus access priority for the ISP1362.

Table 3: Bus access priority table for the ISP1362

Priority	\overline{CS}	A1	$\overline{DACK1}$	$\overline{DACK2}$	$\overline{DREQ1}$	$\overline{DREQ2}$	HC and DC active
1	L	L	X	X	X	X	HC
2	L	H	X	X	X	X	DC
3	H	X	L	X	H	L	HC ^[1]
4	H	X	X	L	L	H	DC ^[1]
5	H	X	X	X	H	H	no driving

[1] Only for enabling of the bus and disabling of the bus. Depends only on the \overline{DACK} signal.

9.1 Memory organization

The buffer memory in the HC uses a multiconfigurable direct addressing architecture. The 4096 bytes HC buffer memory is shared by the ISTL0, ISTL1, INTL and ATL buffers. ISTL0 and ISTL1 are used for isochronous traffic (double buffer), INTL is used for interrupt traffic, and ATL is used for control and bulk traffic.

The allocation of the buffer memory follows the sequence ISTL0, ISTL1, INTL, ATL and unused memory. For example, consider that the buffer sizes of the ISTL, INTL and ATL buffers are 1024 bytes, 1024 bytes and 1024 bytes, respectively. Then, ISTL0 will start from memory location 0, ISTL1 will start from memory location 1024 (size of ISTL0), INTL will start from memory location 2048 (size of ISTL0 + size of ISTL1) and ATL will start from memory location 3072 (size of ISTL0 + size of ISTL1 + size of INTL).

The HCD has the responsibility to ensure that the sum of the four memory buffers does not exceed the total memory size. If this condition is violated, it will lead to data corruption. The buffer size must be a multiple of two bytes (one word).

The buffer memory of the DC follows a similar architecture. Details on the DC memory area allocation can be found in [Section 13.3](#). Note that the DC buffer memory does not support the direct addressing mode.

9.1.1 Memory organization for the HC

The HC in the ISP1362 has a total of 4096 bytes of buffer memory. This buffer area is divided into four parts (see [Table 4](#) and [Figure 4](#)):

Table 4: Buffer memory areas and their applications

Buffer memory area	Application
ISTL0 and ISTL1	isochronous transfer (double buffering)
INTL	interrupt transfer
ATL	control and bulk transfer

The ISTL0 and ISTL1 buffers must have the same size. Memory is allocated by the HC according to the value set by the HCD in HcISTLBufferSize, HcINTLBufferSize and HcATLBufferSize. All buffer sizes must be multiples of two bytes (one word).

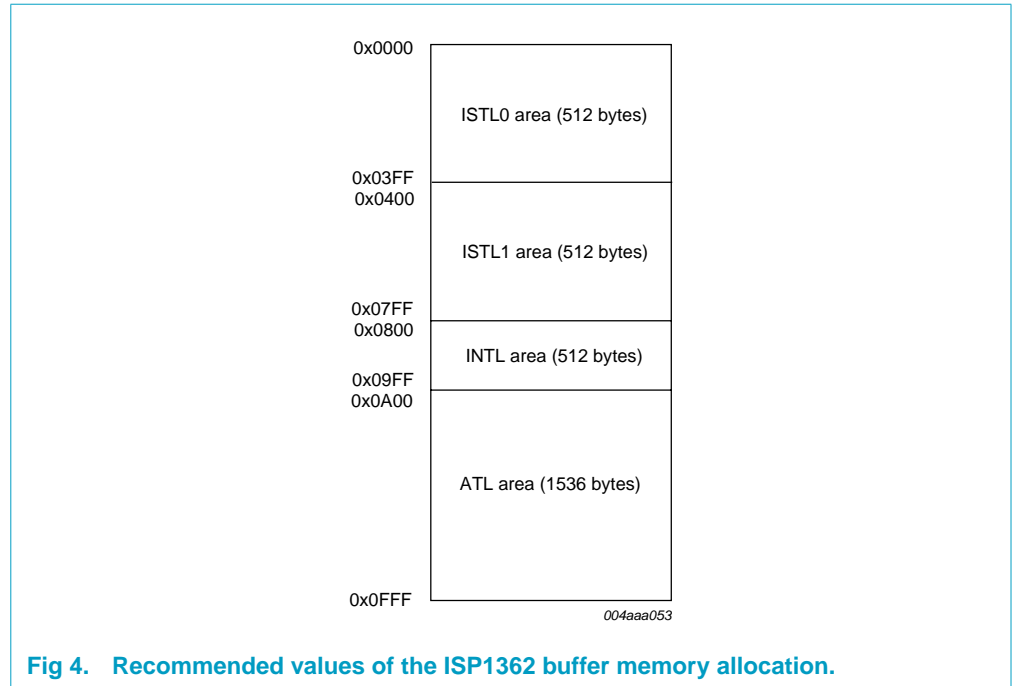


Fig 4. Recommended values of the ISP1362 buffer memory allocation.

The INTL and ATL buffers use ‘blocked memory management’ scheme to enhance the status and control capability of each and every individual PTD structure. The INTL and ATL buffers are further divided into blocks of equal sizes depending on the value written to the HcATLBlkSize register (ATL) and the HcINTLBlkSize register (INTL). The ISP1362 HC supports up to 32 blocks in the ATL and INTL buffers. Each of these blocks can be used for one complete Philips Transfer Descriptor (PTD) data.

Note that the block size does not include the 8-byte PTD header and is strictly the size of the payload. Both the ATL and INTL block sizes must be a multiple of DWord (4 bytes).

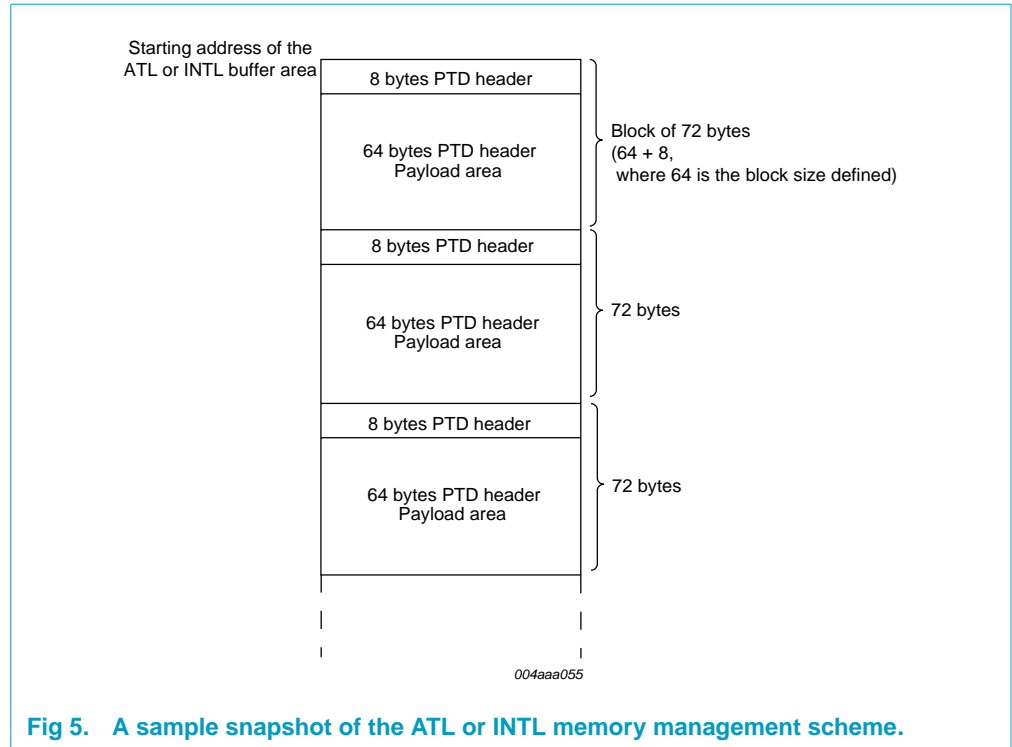
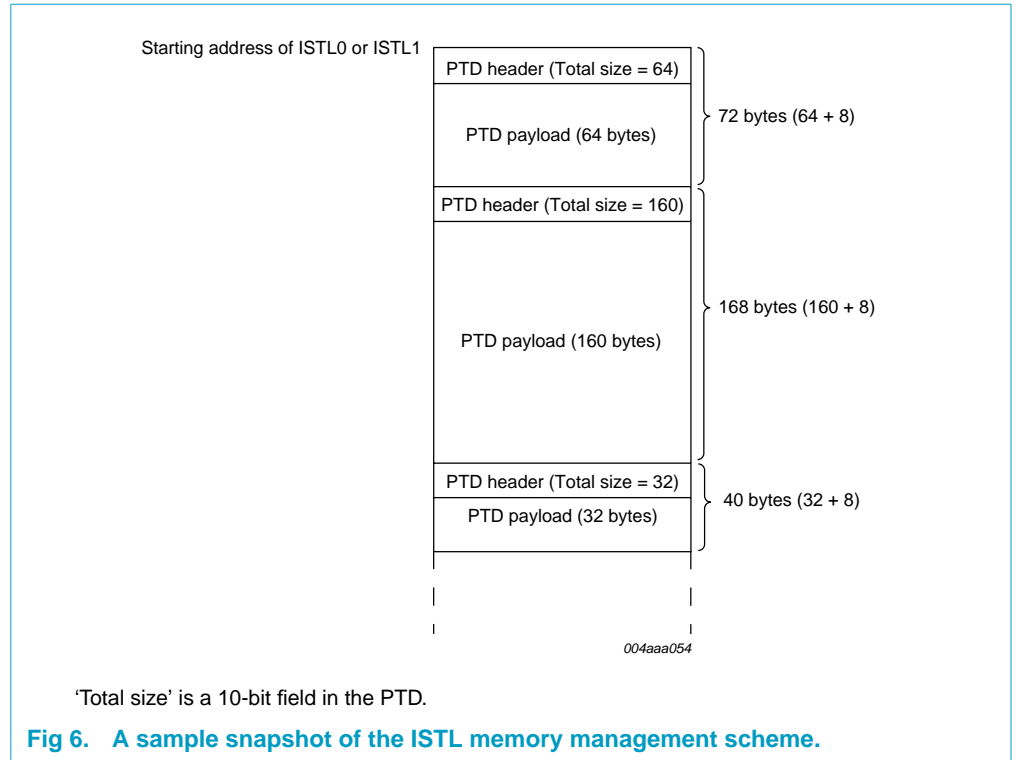


Figure 5 provides a snapshot of a sample ATL or INTL buffer area of 256 bytes with a block size of 64 bytes. The HCD may put a PTD with payload size of up to 64 bytes but not more. Depending on the ATL or INTL buffer size, up to 32 ATL blocks and 32 INTL blocks can be allocated. Note that a portion of the ATL or INTL buffer remains unused. This is allowed but can be avoided by choosing the appropriate ATL or INTL buffer size and block size.

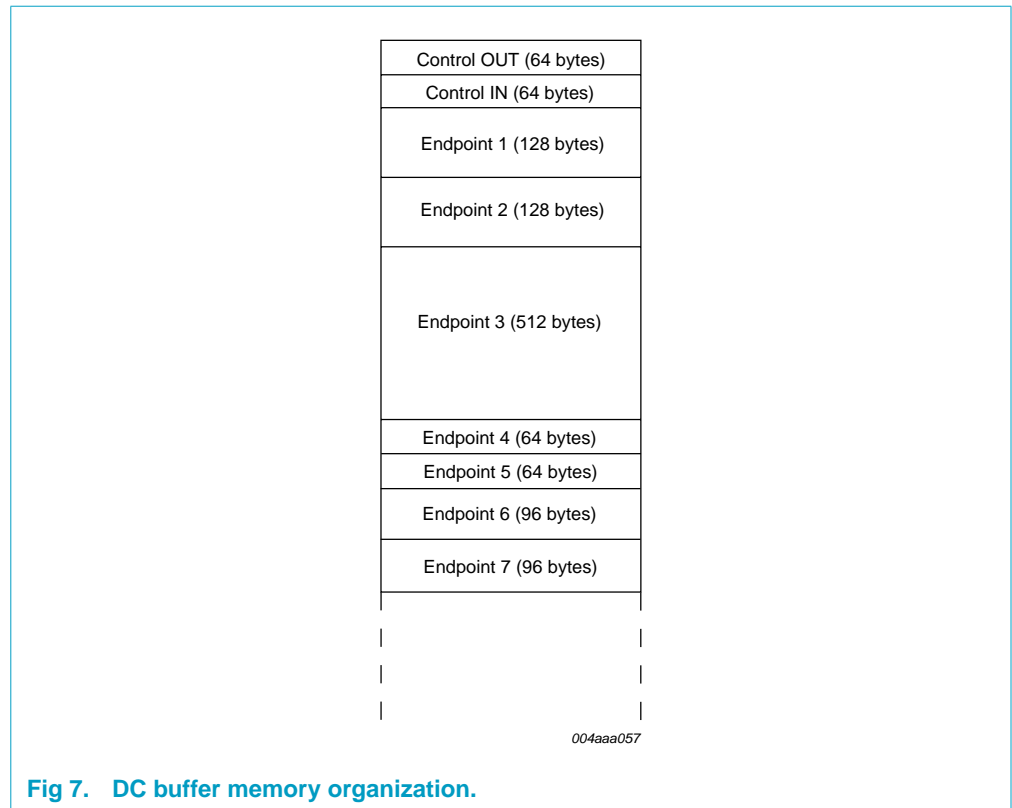
The ISTL0 or ISTL1 buffer memory (for isochronous transfer) uses a different memory management scheme (see Figure 6). There is no fixed block size for the ISTL buffer memory. While the PTD header remains 8 bytes for all PTDs, the PTD payload can be of any size. The PTD payload, however, is padded to the next DWord boundary when the HC calculates the location of the next PTD header. The ISP1362 HC checks the payload size from the 'Total size' field of the PTD itself and calculates the location of the next PTD header based on this information.



9.1.2 Memory organization for the DC

The ISP1362 DC has a total of 2462 bytes of built-in buffer memory. This buffer memory is multiconfigurably to support the requirements of different applications. The DC buffer memory is divided into 16 areas to be used by control OUT, control IN and 14 programmable endpoints.

Figure 7 provides a snapshot of the DC buffer memory.



The buffer memory is configured by the DcEndpointConfiguration registers (ECRs). Although the control endpoint has a fixed configuration, all 16 endpoints (control OUT, control IN and 14 programmable endpoints) must be configured before the DC internally allocates the buffer. The 14 programmable endpoints could be programmed into sizes ranging from 16 bytes to 1023 bytes, single or double buffering.

The DC buffer memory for each endpoint can be accessed through the DcReadEndpointBuffer and DcWriteEndpointBuffer registers.

9.2 PIO access mode

The ISP1362 provides the PIO mode for external microprocessors to access its internal control registers and buffer memory. It occupies only four I/O ports or four memory locations of a microprocessor. An external microprocessor can read or write to the internal control registers and buffer memory of the ISP1362 through the PIO operating mode. [Figure 8](#) shows the PIO interface between a microprocessor and the ISP1362.

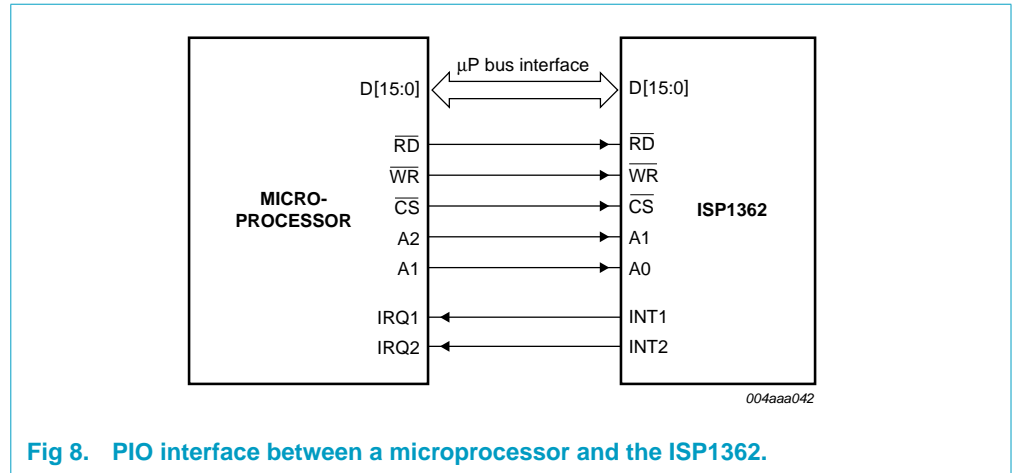


Fig 8. PIO interface between a microprocessor and the ISP1362.

9.3 DMA mode

The ISP1362 also provides the DMA mode for external microprocessors to access the internal buffer memory of the ISP1362. The DMA operation enables data to be transferred between the system memory of a microprocessor and the internal buffer memory of the ISP1362.

Remark: The DMA operation must be controlled by the DMA controller of the external microprocessor system (master). Figure 9 shows the DMA interface between a microprocessor system and the ISP1362.

The ISP1362 provides two DMA channels. The DMA channel 1 (controlled by the DREQ1 and DACK1 signals) is for the DMA transfer between the system memory of a microprocessor and the internal buffer memory of the ISP1362 HC. The DMA channel 2 (controlled by the DREQ2 and DACK2 signals) is for the DMA transfer between the system memory of a microprocessor and the internal buffer memory of the ISP1362 DC. The ISP1362 provides an internal End-Of-Transfer (EOT) signal to terminate the DMA transfer.

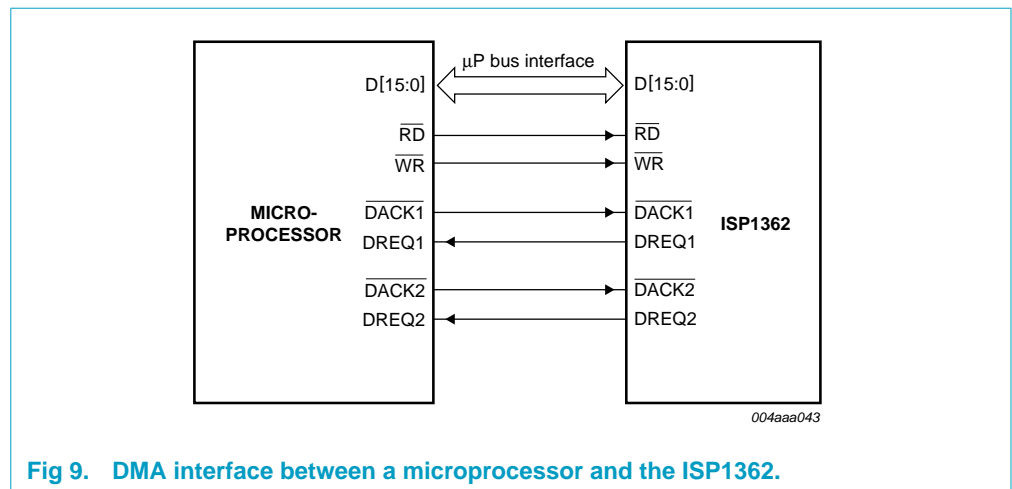


Fig 9. DMA interface between a microprocessor and the ISP1362.

9.4 PIO access to internal control registers

Table 5 shows the I/O port addressing in the ISP1362. The complete I/O port address decoding should combine with the chip select signal (\overline{CS}) and the address lines (A1 and A0). The direction of access of I/O ports, however, is controlled by the \overline{RD} and \overline{WR} signals

When \overline{RD} is LOW, the microprocessor reads data from the data port of the ISP1362 (see Figure 10). When \overline{WR} is LOW, the microprocessor writes command to the command port or writes data to the data port (see Figure 11).

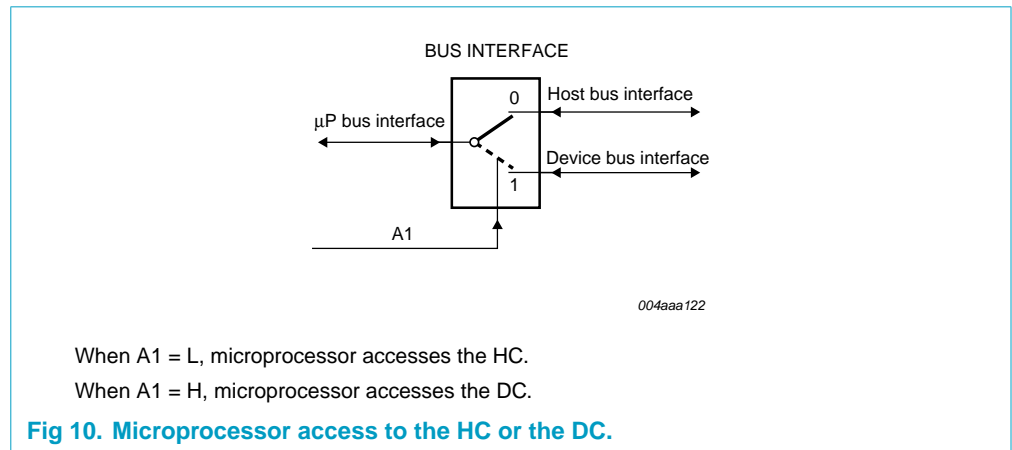
Table 5: I/O port addressing

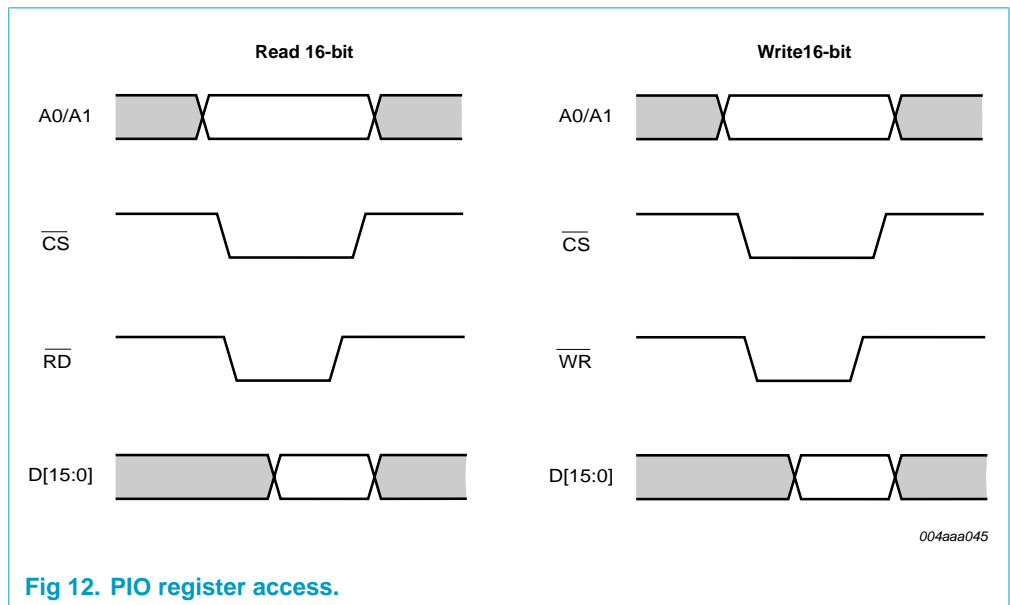
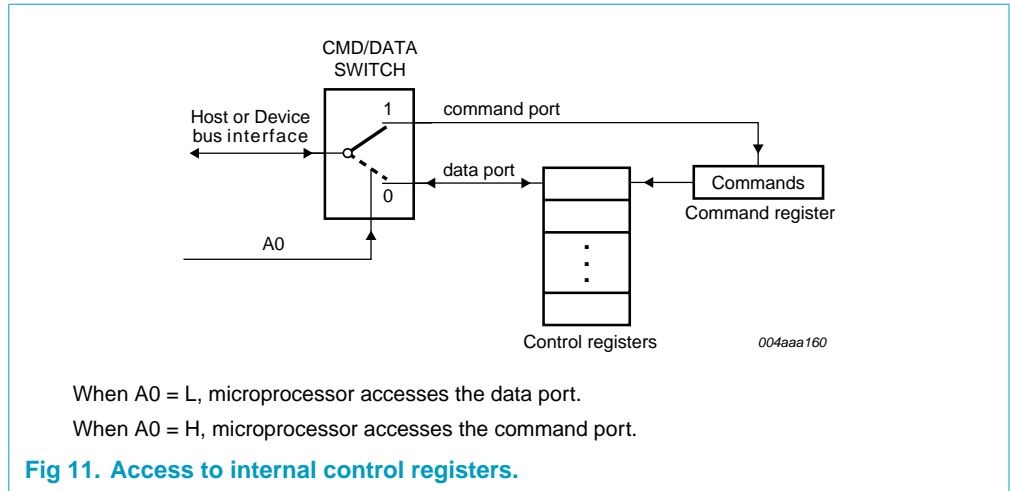
\overline{CS}	A1	A0	Access	Data bus width	Description
L	L	L	R/W	16 bits	HC data port
L	L	H	W	16 bits	HC command port
L	H	L	R/W	16 bits	DC data port
L	H	H	W	16 bits	DC command port

The register structure in the ISP1362 is a command-data register pair structure. A complete register access needs a command phase followed by a data phase. The command (also named as the index of a register) is used to inform the ISP1362 about the register that will be accessed at the data phase.

On the 16-bit data bus of a microprocessor, a command occupies the lower byte and the upper byte is filled with zeros (see Figure 12).

For 32-bit registers, the access cycle is shown in Figure 13. It consists of a command phase followed by two data phases.





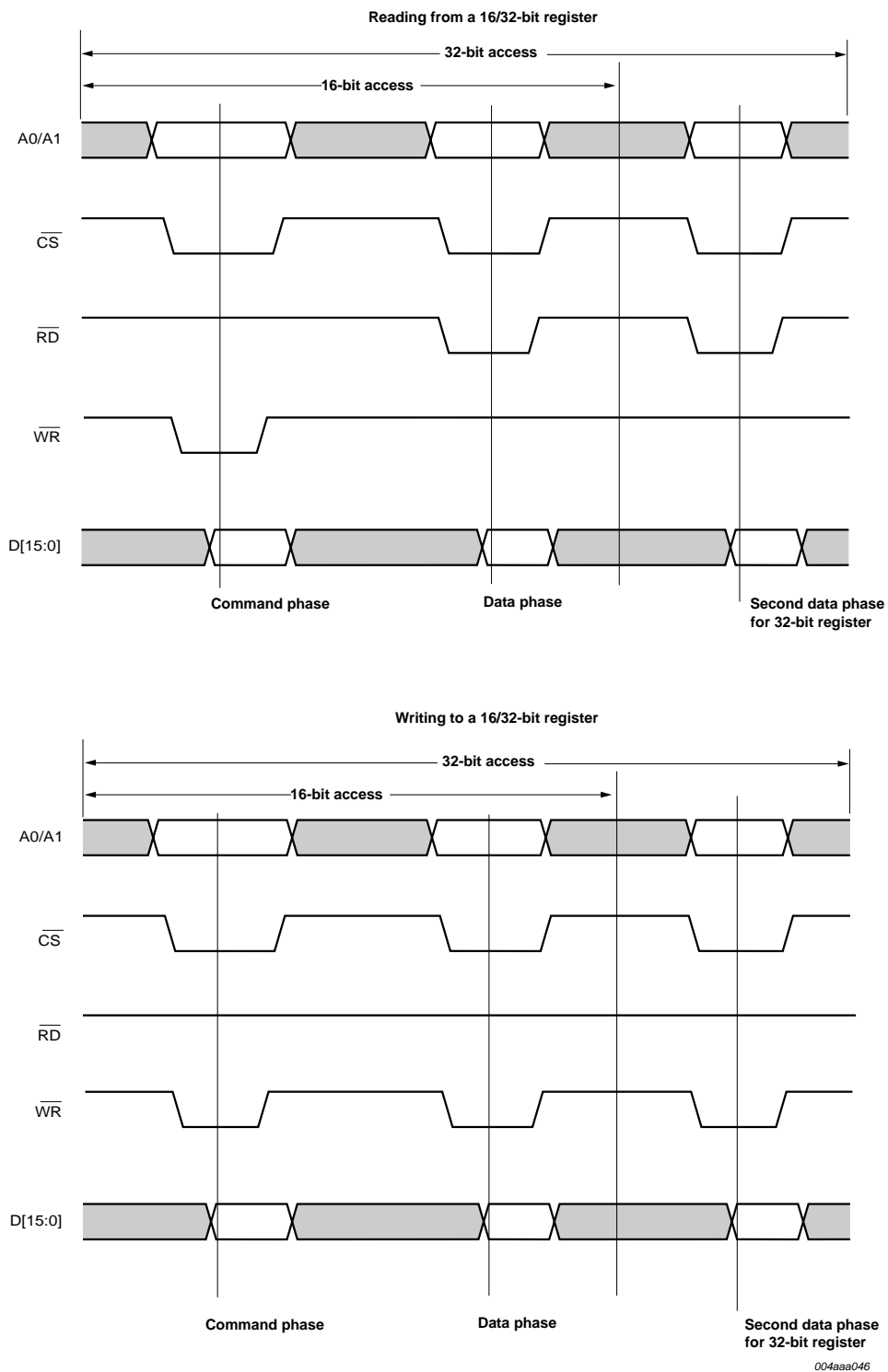


Fig 13. PIO access for a 16 or 32-bit register.

The following is a sample code for PIO access to internal control registers:

```

unsigned long read_reg32(unsigned char reg_no)
{
    unsigned int result_l,result_h;
    unsigned long result;

    outport(hc_com, reg_no); // Command phase
    result_l=inport(hc_data); // Data phase
    result_h=inport(hc_data); // Data phase

    result = result_h;
    result = result<<16;
    result = result+result_l;

    return(result);
}

void write_reg32(unsigned char reg_no, unsigned long data2write)
{
    unsigned int low_word;
    unsigned int hi_word;

    low_word=data2write&0x0000FFFF;
    hi_word=(data2write&0xFFFF0000)>>16;

    outport(hc_com,reg_no|0x80); // Command phase
    outport(hc_data,low_word); // Data phase
    outport(hc_data,hi_word); // Data phase
}

unsigned int read_reg16(unsigned char reg_no)
{
    unsigned int result;

    outport(hc_com, reg_no); // Command phase
    result=inport(hc_data); // Data phase

    return(result);
}

void write_reg16(unsigned char reg_no, unsigned int data2write)
{
    outport(hc_com,reg_no|0x80); // Command phase
    outport(hc_data,data2write); // Data phase
}

```

9.5 PIO access to the buffer memory

The buffer memory in the ISP1362 can be addressed using either the direct addressing method or the indirect addressing method.

9.5.1 PIO access to the buffer memory by using direct addressing

This method uses the HcDirectAddressLength register to specify two parameters required to randomly access the ISP1362 buffer memory (total of 4096 bytes). These two parameters are:

Starting address — Location to start writing or reading

Data length — Number of bytes to write or read.

The following is a sample code for setting the HcDirectAddressLength register:

```
void Set_DirAddrLen(unsigned int data_length,unsigned int addr)
{
    unsigned long RegData = 0;

    RegData =(long)(addr&0x7FFF);
    RegData|=((long)data_length)<<16);

    write_reg32(HcDirAddrLen,RegData);
}
```

After the proper value is written to the HcDirectAddressLength register, data is accessible from the HcDirectAddressData register (called as HcDirAddr_Port in the following sample code). A sample code for writing word_size bytes of data from *w_ptr to the memory locations of the ISP1362 buffer starting from the address start_addr is as follows:

```
void direct_write(unsigned int *w_ptr,unsigned int
start_addr,unsigned int word_size)
{
    unsigned int cnt=0;

    Set_DirAddrLen(word_size*2,start_addr);
    outport(hc_com,HcDirAddr_Port|0x80); // hc_com is system address of
                                        // HC command port

    do
    {
        outport(hc_data,*(w_ptr+cnt)); // hc_data is system address of
                                        // HC data port

        cnt++;
    }
    while(cnt<word_size);
}
```

Direct addressing allows fast and random access to any location within the ISP1362 memory. Your program, however, needs the address location of each buffer area to access them.

9.5.2 PIO access to the buffer memory by using indirect addressing

Indirect addressing is the addressing method that is compatible with the Philips ISP1161 addressing mode. This method uses a unique data port for each buffer memory area (ATL, INTL, ISTL0 and ISTL1). These four data areas share the HcTransferCounter register that is used to indicate the number of bytes to be transferred.

A sample code for writing an array at *a_ptr into the ATL memory area with word_size as the word size is given as follows:

```
void write_atl(unsigned int *a_ptr, unsigned int word_size)
{
    int cnt;
```

```

write_reg16(HcTransferCnt,word_size*2);
outport(hc_com,HcATL_Port|0x80); // hc_com is system address of HC
                                // command port

cnt=0;
do
{
outport(hc_data,*(a_ptr+cnt)); // hc_data is system address of HC
                                // data port

cnt++;
}
while(cnt<(word_size));

```

Remark: The HcTransferCounter register counts the number of bytes even though the transfer is in number of words. Therefore, the transfer counter should be set to $\text{word_size} \times 2$. Incorrect setting of the HcTransferCounter register may cause the ISP1362 to go into an indeterminate state.

The buffer memory access using indirect addressing always starts from the location 0 of each buffer area. Only the front portion of the memory (example: first 64 bytes of a 1024 bytes buffer) can be accessed. Therefore, to access a portion of the memory that does not start from memory location 0, all memory locations before that location must be accessed in a sequential order. The method is similar to the sequential file access method.

9.6 Setting up a DMA transfer

The ISP1362 uses two DMA channels to individually serve the HC and the DC. The DMA transfer allows the system CPU to work on other tasks while the DMA controller transfers data to or from the ISP1362. The DMA slave controller, in the ISP1362, is compatible with the 8327 type DMA controller.

The DMA transfer can be used with the direct addressing mode or the indirect addressing mode. The registers used in these two modes are shown in [Table 6](#).

Table 6: Registers used in addressing modes

Addressing mode ^[1]	HcDMAConfiguration bit[3:1]	Total bytes to transfer
Direct addressing	1XXB	HcDirectAddressLength
Indirect addressing	0XXB	HcTransferCounter

[1] In the direct addressing mode, HcTransferCounter must be set to 0001H.

9.6.1 Configuring registers for a DMA transfer

To set up a DMA transfer, the following HC registers must be configured depending on the type of transfer required:

- HcHardwareConfiguration
 - DREQ1 output polarity (bit 5)
 - $\overline{\text{DACK1}}$ input polarity (bit 6)
 - $\overline{\text{DACK}}$ mode (bit 8).
- HcPIInterruptEnable
 - If you want an interrupt to be generated after the DMA transfer is complete, set EOTInterruptEnable (bit 3).

- HcUpInterrupt
 - Before initiating the DMA transfer, clear AllEOTInterrupt (bit 3). This bit is set when the DMA transfer is complete.
- HcTransferCounter
 - If DMACounterEnable of the HcDMAConfiguration register is set (that is, the DMA counter is enabled), HcTransferCounter must be set to the number of bytes to be transferred.
- HcDMAConfiguration
 - Read or write DMA (bit 0)
 - Targeted buffer: ISTL0, ISTL1, ATL and INTL (bits 1 to 3)
 - DMA enable or disable (bit 4)
 - Burst length (bits 5 to 6)
 - DMA counter enable (bit 7).

Remark: Configure the HcDMAConfiguration register only after you have configured all the other registers. The ISP1362 will assert DREQ1 once the DMA enable bit in this register is set.

9.6.2 Combining the two DMA channels

The ISP1362 allows systems with limited DMA channels to use a single DMA channel (DMA1) for both the HC and the DC. This option can be enabled by writing logic 1 to the OneDMA bit of the HcHardwareConfiguration register. If this option is enabled, the polarity of the DC DMA and the HC DMA must be set to DACK active LOW and DREQ active HIGH.

9.7 Interrupts

Various events in the HC, the DC and the OTG controller can be programmed to generate a hardware interrupt. By default, the interrupt generated by the HC and the OTG controller is routed out at the INT1 pin and the interrupt generated by the DC is routed out at the INT2 pin.

9.7.1 Interrupt in the HC and the OTG controller

There are two levels of interrupts represented by level 1 and level 2 (see [Figure 14](#)).

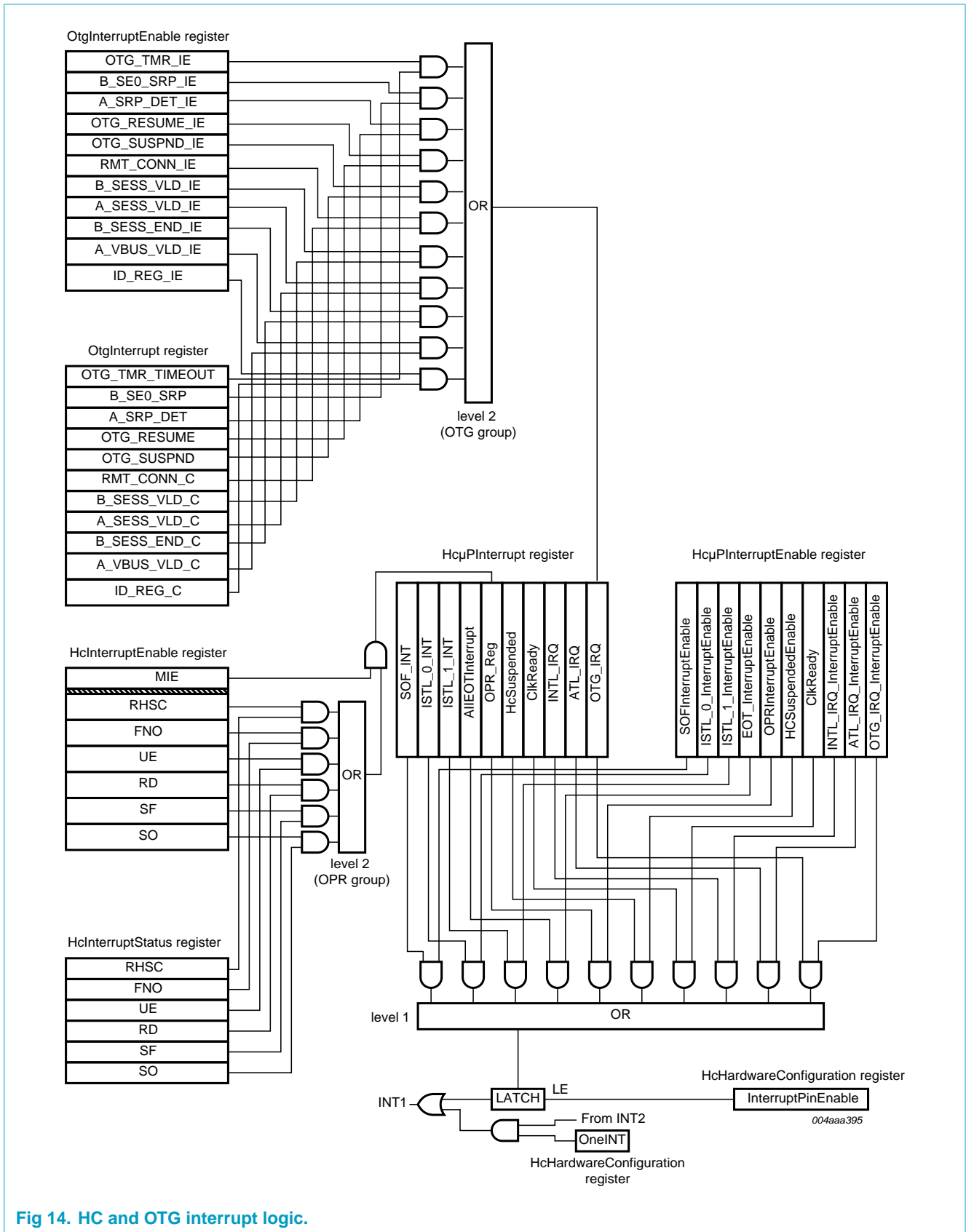


Fig 14. HC and OTG interrupt logic.

The interrupt level 2 (OPR group) contains six possible interrupt events (recorded in the HcInterruptStatus register). When any of these events occurs, the corresponding bit would be set to logic 1, and if the corresponding bit in the HcInterruptEnable register is also logic 1, the 6-input OR gate would output logic 1. This output is combined with the value of MIE (bit 31 of HcInterruptEnable) using the AND operation and logic 1 output at this AND gate will cause the OPR bit in the HcµPInterrupt register to be set to logic 1.

The interrupt level 2 (OTG group) contains 11 possible interrupt events (recorded in the OtgInterrupt register). When any of these events occurs, the corresponding bit would be set to logic 1, and if the corresponding bit in the OtgInterruptEnable register is also logic 1, the 11-input OR gate would output logic 1 and cause the OTG_IRQ bit in the HcµPInterrupt register to be set to logic 1.

The level 1 interrupts contains 10 possible interrupt events. The HcµPInterrupt and HcµPInterruptEnable registers work in the same way as the HcInterruptStatus and HcInterruptEnable registers. The output from the 10-input OR gate is connected to a latch, which is controlled by InterruptPinEnable (the bit 0 of HcHardwareConfiguration register).

When the software wishes to temporarily disable the interrupt output of the ISP1362 HC and OTGC, follow this procedure:

1. Set the InterruptPinEnable bit in HcHardwareConfiguration register to logic 1.
2. Clear all bits in the HcµPInterrupt register.
3. Set the InterruptPinEnable bit to logic 0.

To re-enable the interrupt generation, set the InterruptPinEnable bit to logic 1.

Remark: The InterruptPinEnable bit in the HcHardwareConfiguration register controls the latch of the interrupt output. When this bit is set to logic 0, the interrupt output will remain unchanged, regardless of any operation on the interrupt control registers.

If INT1 is asserted, and the HCD wishes to temporarily mask off the INT signal without clearing the HcµPInterrupt register, follow this procedure:

1. Make sure that the InterruptPinEnable bit is set to logic 1.
2. Clear all bits in the HcµPInterruptEnable register.
3. Set the InterruptPinEnable bit to logic 0.

To re-enable the interrupt generation:

1. Set all bits in the HcµPInterruptEnable register according to the HCD requirements.
2. Set the InterruptPinEnable bit to logic 1.

9.7.2 Interrupt in the DC

The registers that control the interrupt generation in the ISP1362 DC are:

- DcMode (bit 3)
- DcHardwareConfiguration (bits 0 and 1)

- DcInterruptEnable
- DcInterrupt.

The DcMode register (bit 3) is the overall DC interrupt enable.

DcHardwareConfiguration determines the following features:

- Level-triggered or edge-triggered (bit 1)
- Output polarity (bit 0).

For details on the interrupt logic in the DC, refer to the *Interrupt Control* application note.

9.7.3 Combining INT1 and INT2

In some embedded systems, interrupt inputs to the CPU are a very scarce resource. The system designer might want to use just one interrupt line to serve the HC, the DC and the OTG controller. In such a case, make sure the OneINT feature is activated.

When OneINT (bit 9 of the HcHardwareConfiguration register) is set to logic 1, both the INT1 (HC or OTG controller) interrupt and the INT2 (DC) interrupt are routed to pin INT1, thereby reducing hardware resource requirements.

Remark: Both the host controller (or OTG controller) and the device controller interrupts must be set to the same polarity (active HIGH or active LOW) and the same trigger type (edge or level). Failure to conform to this will lead to unpredictable behavior of the ISP1362.

9.7.4 Behavior difference between level-triggered and edge-triggered interrupts

In many microprocessor systems, the operating system disables an interrupt when it is in an Interrupt Service Routine (ISR). If there is an interrupt event during this period, it will lead to:

Level-triggered interrupt: When the ISP1362 interrupt asserts, the operating system takes no action because it disables the interrupt when it is in the ISR. The interrupt line of the ISP1362 remains asserted. When the operating system exits the ISR and re-enables the interrupt processing, it sees the asserted interrupt line and immediately enters the ISR.

Edge-triggered interrupt: When the ISP1362 outputs a pulse, the operating system takes no action because it disables the interrupt when it is in the ISR. The interrupt line of the ISP1362 goes back to the inactive state. When the operating system exits the ISR and re-enables the interrupt processing, it sees no pending interrupt. As a result, the interrupt is missed.

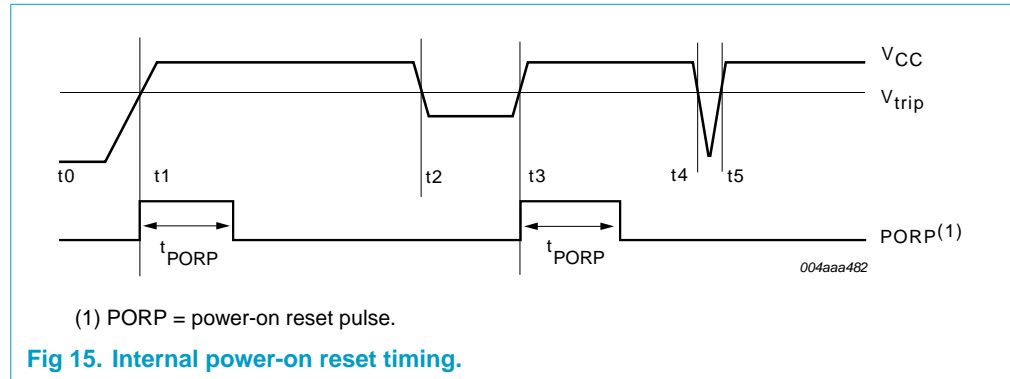
If the system needs to know whether an interrupt (approximately 160 ns pulse width) occurs during this period, it may read the HcμPInterrupt register (see [Table 68](#)).

10. Power-on reset (POR)

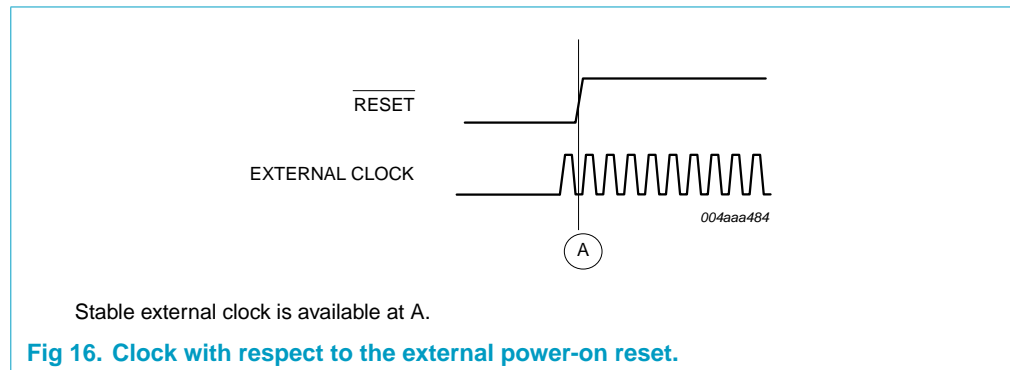
When V_{CC} is directly connected to the \overline{RESET} pin, the internal POR pulse width (t_{PORP}) will be typically 800 ns. The pulse is started when V_{CC} rises above V_{trip} (2.03 V).

To give a better view of the functionality, Figure 15 shows a possible curve of V_{CC} with dips at t_2-t_3 and t_4-t_5 . If the dip at t_4-t_5 is too short (that is, $< 11 \mu s$), the internal POR pulse will not react and will remain LOW. The internal POR starts with a HIGH at t_0 . At t_1 , the detector will see the passing of the trip level and a delay element will add another t_{PORP} before it drops to LOW.

The internal POR pulse will be generated whenever V_{CC} drops below V_{trip} for more than $11 \mu s$.



The \overline{RESET} pin can be either connected to V_{CC} (using the internal POR circuit) or externally controlled (by the micro, ASIC, and so on). Figure 16 shows the availability of the clock with respect to the external reset pulse.



11. On-The-Go (OTG) controller

11.1 Introduction

OTG is a supplement to the Hi-Speed USB (USB 2.0) specification that augments existing USB peripherals by adding to these peripherals limited host capability to support other targeted USB peripherals. It is primarily targeted at portable devices because it addresses concerns related to such devices, such as a small connector and low power. Non-portable devices (even standard hosts), nevertheless, can also benefit from OTG features.

The ISP1362 OTG controller is designed to perform all the tasks specified in the OTG supplement. It supports Host Negotiation Protocol (HNP) and Session Request Protocol (SRP) for dual-role devices. The ISP1362 uses software implementation of HNP and SRP for maximum flexibility. A set of OTG registers provides the control and status monitoring capabilities to support software HNP or SRP.

Besides the normal USB transceiver, timers and analog components required by OTG are also integrated on-chip. The analog components include:

- Built-in 3.3 V-to-5 V charge pump
- Voltage comparators
- Pull-up or pull-down resistors on data lines
- Charge or discharge resistors for V_{BUS} .

11.2 Dual-role device

When port 1 of the ISP1362 is configured in the OTG mode, it can be used as an OTG dual-role device. A dual-role device is a USB device that can function either as a host or as a peripheral. As a host, the ISP1362 can support all four types of transfers (control, bulk, isochronous and interrupt) at full-speed or low-speed. As a peripheral, the ISP1362 can support two control endpoints and up to 14 configurable endpoints, which can be programmed to any of the four transfer types.

The default role of the ISP1362 is controlled by the ID pin, which in turn is controlled by the type of plug connected to the mini-AB receptacle. If ID = LOW (mini-A plug connected), it becomes an A-device, which is a host by default. If ID = HIGH (mini-B plug connected), it becomes a B-device, which is a peripheral by default.

Both the A-device and the B-device work on a session base. A session is defined as the period of time in which devices exchange data. A session starts when V_{BUS} is driven and ends when V_{BUS} is turned off. Both the A-device and the B-device may start a session. During a session, the role of the host can be transferred back and forth between the A-device and the B-device any number of times by using HNP.

If the A-device wants to start a session, it turns on V_{BUS} by enabling the charge pump. The B-device detects that V_{BUS} has risen above the B_SESS_VLD level and assumes the role of a peripheral asserting its pull-up resistor on the DP line. The A-device detects the remote pull-up resistor and assumes the role of a host. Then, the A-device can communicate with the B-device as long as it wishes. When the A-device finishes communicating with the B-device, the A-device turns-off V_{BUS} and both the devices finally go into the idle state. See [Figure 18](#) and [Figure 19](#).

If the B-device wants to start a session, it must initiate SRP by 'data line pulsing' and ' V_{BUS} pulsing'. When the A-device detects any of these SRP events, it turns on its V_{BUS} (note that only the A-device is allowed to drive V_{BUS}). The B-device assumes the role of a peripheral, and the A-device assumes the role of a host. The A-device detects that the B-device can support HNP by getting the OTG descriptor from the B-device. The A-device will then enable the HNP hand-off by using SetFeature (b_hnp_enable) and then go into the 'suspend' state. The B-device signals claiming the host role by deasserting its pull-up resistor. The A-device acknowledges by going into the peripheral state. The B-device then assumes the role of a host and

communicates with the A-device as long as it wishes. When the B-device finishes communicating with the A-device, both the devices finally go into the idle state. See [Figure 18](#) and [Figure 19](#).

11.3 Session Request Protocol (SRP)

As a dual-role device, the ISP1362 can initiate and respond to SRP. The B-device initiates SRP by data line pulsing followed by V_{BUS} pulsing. The A-device can detect either data line pulsing or V_{BUS} pulsing.

11.3.1 B-device initiating SRP

The ISP1362 can initiate SRP by performing the following steps:

1. Detect initial conditions [read ID_REG, B_SESS_END and SE0_2MS (bits 0, 2 and 9) of the OtgStatus register].
2. Start data line pulsing [set LOC_CONN (bit 4) of OtgControl register to logic 1].
3. Wait for 5 ms to 10 ms.
4. Stop data line pulsing [set LOC_CONN (bit 4) of OtgControl register to logic 0].
5. Start V_{BUS} pulsing [set CHRG_ V_{BUS} (bit 1) of the OtgControl register to logic 1].
6. Wait for 10 ms to 20 ms.
7. Stop V_{BUS} pulsing [set CHRG_ V_{BUS} (bit 1) of the OtgControl register to logic 0].
8. Discharge V_{BUS} for about 30 ms [by using DISCHRG_ V_{BUS} (bit 2) of the OtgControl register], optional.

The B-device must complete both data line pulsing and V_{BUS} pulsing within 100 ms.

11.3.2 A-device responding to SRP

The A-device must be able to respond to one of the two SRP events: data line pulsing or V_{BUS} pulsing. The ISP1362 allows you to choose which SRP to support and has a mechanism to disable or enable the SRP detection. This is useful for some applications under certain cases. For example, if the A-device battery is low, it may not want to turn on its V_{BUS} by detecting SRP. In this case, it may choose to disable the SRP detection function.

When the data line SRP detection is used, the ISP1362 can detect either the DP pulsing or the DM pulsing. This means a peripheral-only device can initiate data line pulsing SRP through DP (full-speed) or DM (low-speed). A dual-role device will always initiate data line pulsing SRP through DP because it is a full-speed device.

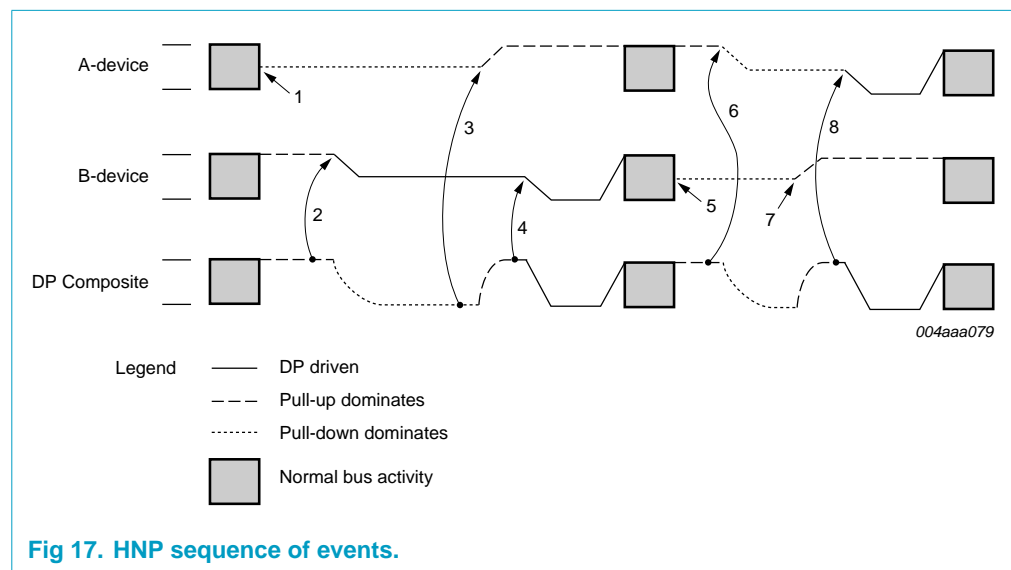
- Steps to enable the SRP detection by V_{BUS} pulsing:
 - Set A_SEL_SRP (bit 9) of the OtgControl register to logic 0.
 - Set A_SRP_DET_EN (bit 10) of the OtgControl register to logic 1.
- Steps to enable the SRP detection by data line pulsing:
 - Set A_SEL_SRP (bit 9) of the OtgControl register to logic 1.
 - Set A_SRP_DET_EN (bit 10) of the OtgControl register to logic 1.
- Steps to disable the SRP detection:
 - Set A_SRP_DET_EN (bit 10) of the OtgControl register to logic 0.

11.4 Host Negotiation Protocol (HNP)

HNP is used to transfer control of the host role between the default host (A-device) and the default peripheral (B-device) during a session. When the A-device is ready to give up its role as a host, it will condition the B-device by SetFeature (b_hnp_enable) and will go into 'suspend'. If the B-device wants to use the bus at that time, it signals a 'disconnect' to the A-device. Then, the A-device will take the role of a peripheral and the B-device will take the role of a host.

11.4.1 Sequence of HNP events

The sequence of events for HNP as observed on the USB bus is illustrated in [Figure 17](#).



As can be seen in [Figure 17](#):

1. The A-device completes using the bus and stops all bus activity (that is, suspends the bus).
2. The B-device detects that the bus is idle for more than 5 ms and begins HNP by turning off the pull-up on DP. This allows the bus to discharge to the SE0 state.
3. The A-device detects SE0 on the bus and recognizes this as a request from the B-device to become a host. The A-device responds by turning on its DP pull-up within 3 ms of first detecting SE0 on the bus.
4. After waiting for 30 μ s to ensure that the DP line is not HIGH because of the residual effect of the B-device pull-up, the B-device notices that the DP line is HIGH and the DM line is LOW (that is, J state). This indicates that the A-device has recognized the HNP request from the B-device. At this point, the B-device becomes a host and asserts bus reset to start using the bus. The B-device must assert the bus reset (that is, SE0) within 1 ms of the time that the A-device turns on its pull-up.
5. When the B-device completes using the bus, it stops all bus activity. Optionally, the B-device may turn on its DP pull-up at this time.

6. The A-device detects lack of bus activity for more than 3 ms and turns off its DP pull-up. Alternatively, if the A-device has no further need to communicate with the B-device, the A-device may turn off V_{BUS} and end the session.
7. The B-device turns on its pull-up.
8. After waiting 30 μ s to ensure that the DP line is not HIGH because of the residual effect of the A-device pull-up, the A-device notices that the DP-line is HIGH (and the DM line is LOW) indicating that the B-device is signaling a connect and is ready to respond as a peripheral. At this point, the A-device becomes a host and asserts the bus reset to start using the bus.

11.4.2 OTG state diagrams

Figure 18 and Figure 19 show the state diagrams for the dual-role A-device and the dual-role B-device, respectively. For a detailed explanation, refer to *On-The-Go Supplement to the USB 2.0 Specification Rev. 1.0a*.

The OTG state machine is implemented with software. The inputs to the state machine come from four sources: hardware signals from the USB bus, software signals from the application program, internal variables with the state machines and timers:

- Hardware inputs: Include `id`, `a_vbus_vld`, `a_sess_vld`, `b_sess_vld`, `b_sess_end`, `a_conn`, `b_conn`, `a_bus_suspend`, `b_bus_suspend`, `a_bus_resume`, `b_bus_resume`, `a_srp_det` and `b_se0_srp`. All these inputs can be derived from the `OtgInterrupt` and `OtgStatus` registers.
- Software inputs: Include `a_bus_req`, `a_bus_drop` and `b_bus_req`.
- Internal variables: Include `a_set_b_hnp_en`, `b_hnp_enable` and `b_srp_done`.
- Timers: The HNP state machine uses four timers: `a_wait_vrise_tmr`, `a_wait_bcon_tmr`, `a_aidl_bdis_tmr` and `b_ase0_brst_tmr`. All timers are started on entry to and reset on exit from their associated states. The ISP1362 provides a programmable timer that can be used as any of these four timers.

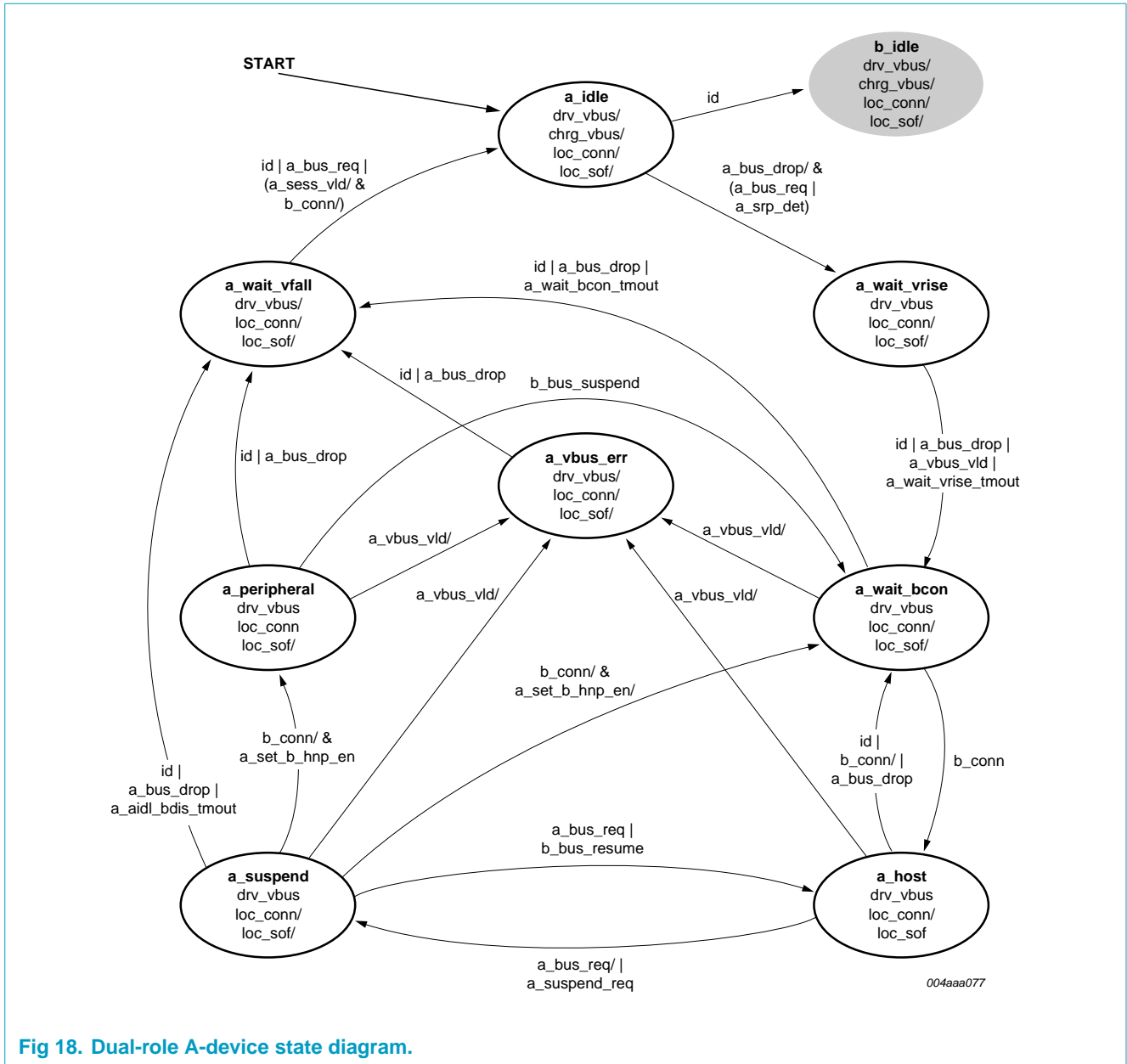


Fig 18. Dual-role A-device state diagram.

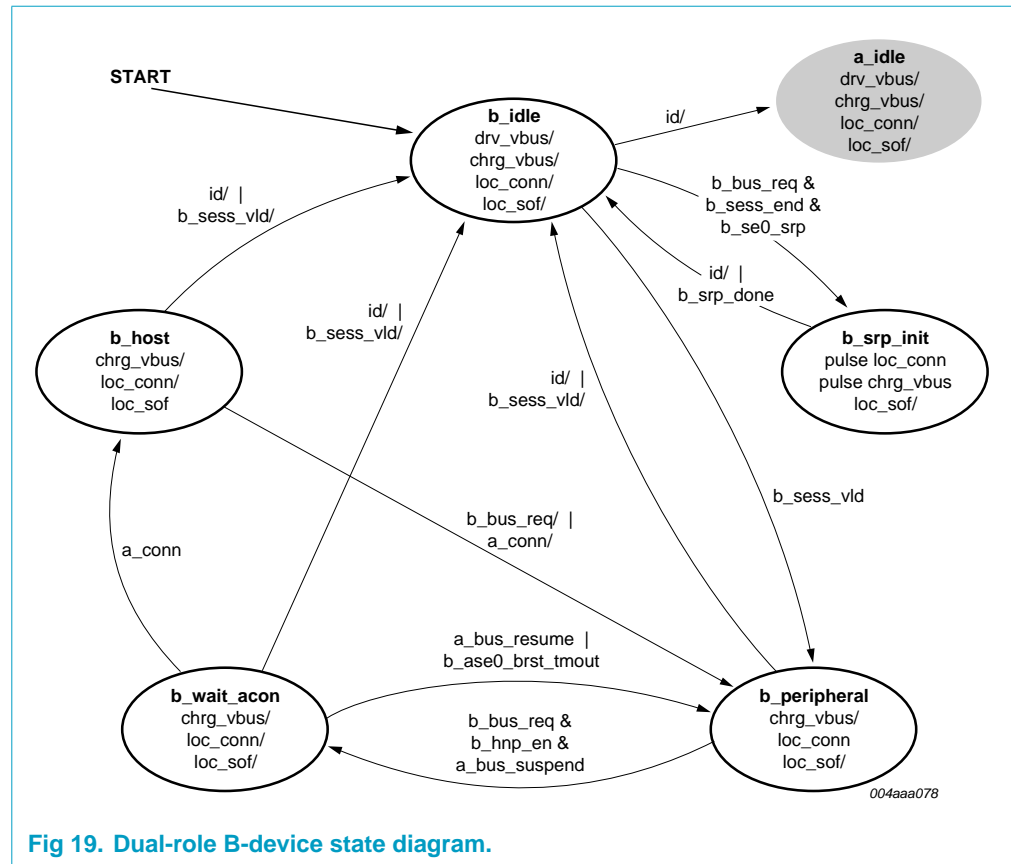


Fig 19. Dual-role B-device state diagram.

11.4.3 HNP implementation and OTG state machine

The OTG state machine is the software behind all the OTG functionality. It is implemented in the microprocessor system that is connected to the ISP1362. The ISP1362 provides all input status, the output control and timers to fully support the state machine transitions in Figure 18 and Figure 19.

These registers include:

- OtgControl register: provides control to V_{BUS} driving, charging or discharging, data line pull-up or pull-down, SRP detection, and so on
- OtgStatus register: provides status detection on V_{BUS} and data lines including ID, V_{BUS} session valid, session end, overcurrent, bus status
- OtgInterrupt register: provides interrupts for status change in OtgStatus register bits and the OtgTimer time-out event
- OtgInterruptEnable register: provides interrupt mask for OtgInterrupt register bits
- OtgTimer register: provides 0.01 ms base programmable timer for use in the OTG state machine.

The OTG interrupt is generated on the INT1 pin. It is shared with the HC interrupt. To enable the OTG interrupt, perform these steps:

1. Set the polarity and the level-triggering or edge-triggering mode of the HcHardwareConfiguration register (bits 1 and 2, default is level-triggered, active LOW).

2. Set the corresponding bits of the `OtgInterruptEnable` register (bits 0 to 8, or some of them).
3. Set bit `OTG_IRQ_InterruptEnable` of the `HcμPInterruptEnable` register (bit 9).
4. Set bit `InterruptPinEnable` of the `HcHardwareConfiguration` register (bit 0).

When an interrupt is generated on INT1, perform these steps in the interrupt service routine to get the related OTG status:

1. Read the `HcμPInterrupt` register. If `OTG_IRQ` (bit 9) is set, then step 2.
2. Read the `OtgInterrupt` register. If any of the bits 0 to 4 are set, then step 3.
3. Read the `OtgStatus` register.

The OTG state machine routines are called when any of the inputs is changed. These inputs come from either OTG registers (hardware) or application program (software). The outputs of the state machine include control signals to the OTG register (for hardware) and states or error codes (for software). For more information, refer to the Philips document *ISP136x Embedded Programming Guide*.

11.5 Power saving in the idle state and during wake-up

The ISP1362 can be put in the power saving mode if the OTG device is not in a session. This significantly reduces the power consumption. In this mode, both the DC and the HC are suspended. The PLL and the oscillator are stopped, and the charge pump is in the suspend state.

As an OTG device, however, the ISP1362 is required to respond to the SRP event. To support this, a LazyClock is kept running when the chip is in the power saving mode. An SRP event will wake up the chip (that is, enable the PLL and the oscillator). Besides this, an ID change or `B_SESS_VLD` detection can also wake up the chip. These wake-up events can be enabled or disabled by programming the related bits of the `OtgInterruptEnable` register before putting the chip in the power saving mode. If the bit is set, then the corresponding event (status change) will wake up the ISP1362. If the bit is cleared, then the corresponding event will not wake up the ISP1362.

You can also wake up the ISP1362 from the power saving mode by using software. This is accomplished by accessing any of ISP1362 registers. Accessing a register will assert \overline{CS} of the ISP1362, and therefore, set it awake.

11.6 Current capacity of the OTG charge pump

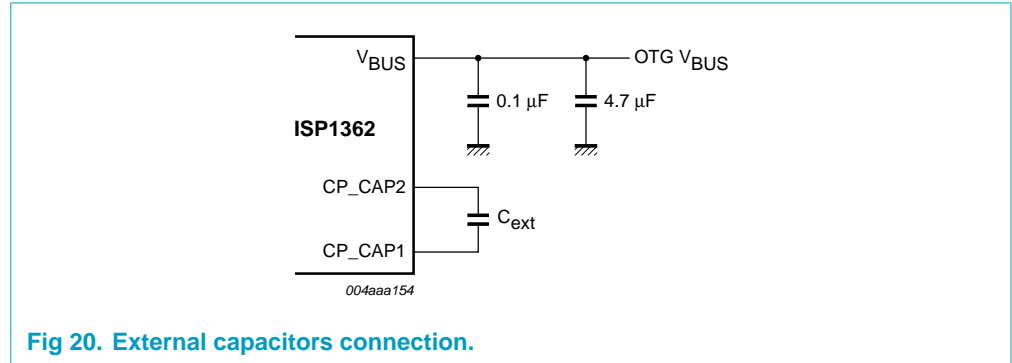
The ISP1362 uses a built-in charge pump to generate a 5 V V_{BUS} supply from a 3.3 V \pm 0.3 V voltage source. The only external component required is a capacitor. The value of this capacitor depends on the amount of current drive required. [Table 7](#) provides two recommended capacitor values and the corresponding current drive.

Table 7: Recommended capacitor values

Capacitance	V_{CC}	Current
27 nF	3.0 V to 3.6 V	8 mA
82 nF	3.0 V to 3.3 V	14 mA
	3.3 V to 3.6 V	20 mA

The connection of the external capacitor (C_{ext}) is given in the partial schematics in **Figure 20**.

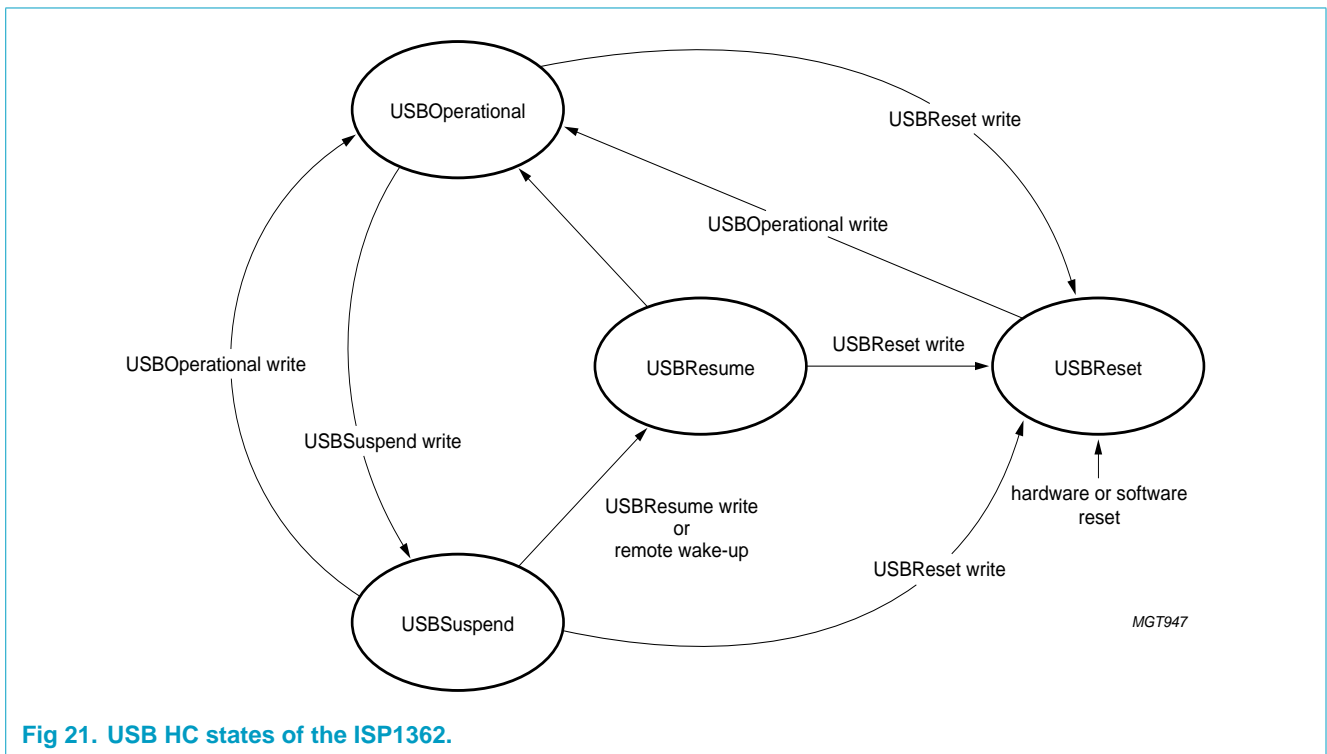
Remark: If the internal charge pump is not used, C_{ext} is not required.



12. USB Host Controller (HC)

12.1 USB states of the HC

The USB HC in the ISP1362 has four USB states: USBOperational, USBReset, USBSuspend and USBResume. These states define the responsibilities of the HC related to the USB signaling and bus states. These signals are visible to the HC Driver (HCD), the software driver of the HC, by using the control registers of the ISP1362 USB HC.



The USB states are reflected in the HostControllerFunctionalState (HCFS) field of the HcControl register. The HCD is allowed to perform only the USB state transitions shown in [Figure 21](#).

12.2 USB traffic generation

USB traffic can be generated only when the ISP1362 USB HC is under the USBOperational state. Therefore, the HCD must set the ISP1362 USB HC into the USBOperational state. This is done by setting the HCFS field of the HcControl register before generating USB traffic.

A brief flow of USB traffic generation is described as follows:

1. Reset the ISP1362 by using the $\overline{\text{RESET}}$ pin or the software reset.
2. Set the physical size of the ATL, interrupt, ISTL0 and ISTL1 buffers.
3. Write the 32-bit hexadecimal value 0x800000FD to the HcInterruptEnable register. This will enable all the interrupt events in the register to trigger the hardware interrupt (see [Section 15.1.5](#)).
4. Write the 16-bit hexadecimal value 0x002D to the HcHardwareConfiguration register. This will set up the HC to level triggered and active HIGH interrupt setting (see [Section 15.4.1](#)).
5. Write 0x05000B02 to HcRhDescriptorA and 0x00000000 to HcRhDescriptorB.
6. Write the 16-bit hexadecimal value 0x0680 to the HcControl register to set the ISP1362 into the Operation mode (see [Section 15.1.2](#)).
7. Read the HcRhPortStatus[1] and HcRhPortStatus[2] registers. These registers contain the 32-bit hexadecimal value 0x00010100 (see [Section 15.3.4](#)).
8. Connect a full-speed device to one of the downstream ports or use a 1.5 k Ω resistor to pull up the DP line (to emulate a full-speed device).
9. Read the HcRhPortStatus[1] and HcRhPortStatus[2] registers. The hexadecimal value of one of the registers must change to 0x00010101 indicating that a device connection has been detected.
10. Write the 32-bit hexadecimal value 0x00000102 into either HcRhPortStatus[1] or HcRhPortStatus[2] depending on the port that is being used.
11. Read the HcRhPortStatus[1] and HcRhPortStatus[2] registers. Depending on which port the USB device is connected to, one of the registers should contain the hexadecimal value 0x00010103.

SOF packets should be visible on DP and DM now.

The HcFmNumber register contains the current frame number, which is updated every milliseconds.

Remark: The generation of SOF is completely performed by the ISP1362 hardware. In this state of operation, if a PTD is written to the buffer memory, it would be processed and sent.

12.3 USB ports

The ISP1362 has two USB ports: port 1 and port 2. Port 1 can be configured as a downstream port (host), an upstream port (device) or a dual-role port (OTG). Port 2 is a fixed downstream port.

The function of port 1 depends on two input pins of the ISP1362, namely ID and $\overline{\text{OTGMODE}}$.

Table 8: Port 1 function

OTGMODE	ID	Function of port 1
L	X	OTG
H	L	host
H	H	peripheral

In the OTG mode, port 2 operates as an internal host. It is not advisable to expose the host port 2 to external devices because it will not respond to the SRP and HNP protocols. Besides, the current capability of V_{BUS} may be different from the OTG port's. The USB compliance checklist states that one and only one USB mini-AB receptacle is allowed on an OTG device.

12.4 Philips Transfer Descriptor (PTD)

The PTD provides a communication channel between the HCD and the ISP1362 USB HC. A PTD consists of a PTD header and a payload data. The size of the PTD header is 8 bytes, and it contains information required for data transfer, such as data packet size, transfer status and transfer token types. Payload data to be transferred within a particular frame must have a PTD as the header (see [Figure 22](#)).

The ISP1362 has three types of PTDs: control and bulk transfer (aperiodic transfer) PTD, interrupt transfer PTD and isochronous (ISO) transfer PTD.

In the control and bulk transfer PTD and the interrupt transfer PTD, the buffer area is separated into equal sized blocks that are determined by HcATLBikSize and HcINTLBikSize . For example, if the block size is defined as 32 bytes, the first PTD structure in the memory buffer will have an offset of 0 bytes and the second PTD structure will have an offset of 40 bytes [sum of the block size (32 bytes) and the PTD header size (8 bytes)]. Because of the fixed block size of the ISP1362 HC, however, even a PTD with 4 bytes of payload will occupy all the 40 bytes in a block.

In the isochronous PTD, the HC uses a more flexible method to calculate the PTD offset because each PTD can have a different payload size. The actual amount of space for the payload, however, must be a multiple of DWord. Therefore, a 10-byte payload must have a reserved data size of 12 bytes. Take for example there are four PTDs in the ISTL0 buffer area with payload sizes of 200 bytes, 10 bytes, 1023 bytes and 30 bytes. Then, the offset of each of these PTDs will be as follows:

PTD1 (200 bytes) — offset = 0

PTD2 (10 bytes) — offset = $(200 + 8) = 208$

PTD3 (1023 bytes) — offset = $(200 + 8) + (12 + 8) = 228$

PTD4 (30 bytes) — offset = $(200 + 8) + (12 + 8) + (1024 + 8) = 1260$.

PTD data stored in the HC buffer memory will not be processed unless the respective control bits (ATL_Active, INTL_Active, ISTL0_BufferFull or ISTL1_BufferFull) in HcBufferStatus are set.

PTD data in the ATL or interrupt buffer memory can be disabled by setting the respective skip bit in HcATLSkipMap and HcINTLSkipMap. To skip a particular PTD in the ATL or interrupt buffer, the HCD may set the corresponding bit of the SkipMap register. For example, setting the HcATLSkipMap register to 0x0011 will cause the HC to skip the first and the fifth PTDs in the ATL buffer memory.

Certain fields in the PTD header are used by the HC to inform the HCD about the status of the transfer. These fields are indicated by the 'Status Update by HC' column. These fields are updated after every transaction to reflect the current status of the PTD.

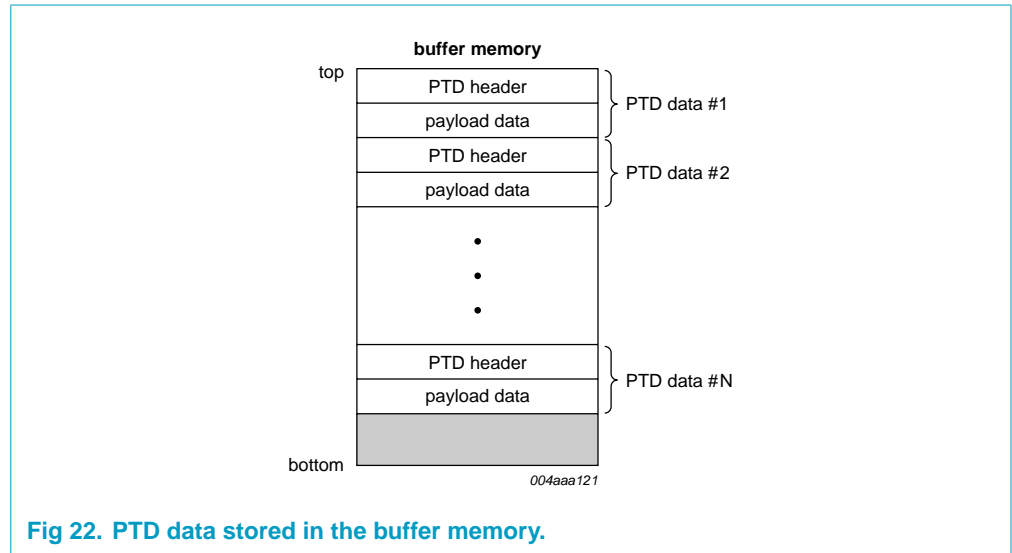


Fig 22. PTD data stored in the buffer memory.

Table 9: Generic PTD structure: bit allocation

Bit	7	6	5	4	3	2	1	0
Byte 0	ActualBytes[7:0]							
Byte 1	CompletionCode[3:0]				Active	Toggle	ActualBytes[9:8]	
Byte 2	MaxPktSize[7:0]							
Byte 3	EndpointNumber[3:0]				B3[3]	Speed	MaxPktSize[9:8]	
Byte 4	TotalBytes[7:0]							
Byte 5	B5[7]	B5[6]	reserved	DirToken[1:0]		TotalBytes[9:8]		
Byte 6	reserved	FunctionAddress[6:0]						
Byte 7	B7[7:0]							

[1] All reserved bits should be set to logic 0.

Table 10: Special fields for ATL, interrupt and ISO^[1]

Bit	ATL	Interrupt	ISTL (ISO)
B3[3]	reserved	reserved	Last
B5[6]	Ping-Pong	reserved	reserved
B5[7]	Paired	reserved	reserved
B7[7:0]	reserved	PollingRate[7:5]; StartingFrame[4:0]	StartingFrame

[1] All reserved bits should be set to logic 0.

Table 11: Generic PTD structure: bit description

Name	Status update by HC	Description																																										
ActualBytes[9:0]	Yes	This field contains the number of bytes that were transferred for this PTD.																																										
CompletionCode[3:0]	Yes	<table border="0"> <tr> <td>0000</td> <td>NoError</td> <td>General Transfer Descriptor (TD) or isochronous data packet processing completed with no detected errors.</td> </tr> <tr> <td>0001</td> <td>CRC</td> <td>The last data packet from the endpoint contained a Cyclic Redundancy Check (CRC) error.</td> </tr> <tr> <td>0010</td> <td>BitStuffing</td> <td>The last data packet from the endpoint contained a bit stuffing violation.</td> </tr> <tr> <td>0011</td> <td>DataToggleMismatch</td> <td>The last packet from the endpoint had data toggle Packet ID (PID) that did not match the expected value.</td> </tr> <tr> <td>0100</td> <td>Stall</td> <td>TD was moved to the Done queue because the endpoint returned a STALL PID.</td> </tr> <tr> <td>0101</td> <td>DeviceNot Responding</td> <td>The device did not respond to the token (IN) or did not provide a handshake (OUT).</td> </tr> <tr> <td>0110</td> <td>PIDCheckFailure</td> <td>The check bits on PID from the endpoint failed on data PID (IN) or handshake (OUT).</td> </tr> <tr> <td>0111</td> <td>UnexpectedPID</td> <td>The received PID was not valid when encountered, or the PID value is not defined.</td> </tr> <tr> <td>1000</td> <td>DataOverrun</td> <td>The amount of data returned by the endpoint exceeded either the size of the maximum data packet allowed from the endpoint (found in the MaximumPacketSize field of ED) or the remaining buffer size.</td> </tr> <tr> <td>1001</td> <td>DataUnderrun</td> <td>The endpoint returned is less than MaximumPacketSize and that amount was not sufficient to fill the specified buffer.</td> </tr> <tr> <td>1010</td> <td>-</td> <td>reserved</td> </tr> <tr> <td>1011</td> <td>-</td> <td>reserved</td> </tr> <tr> <td>1100</td> <td>BufferOverrun</td> <td>During an IN, the HC received data from the endpoint faster than it could be written to the system memory.</td> </tr> <tr> <td>1101</td> <td>BufferUnderrun</td> <td>During an OUT, the HC could not retrieve data from the system memory fast enough to keep up with the USB data rate.</td> </tr> </table>	0000	NoError	General Transfer Descriptor (TD) or isochronous data packet processing completed with no detected errors.	0001	CRC	The last data packet from the endpoint contained a Cyclic Redundancy Check (CRC) error.	0010	BitStuffing	The last data packet from the endpoint contained a bit stuffing violation.	0011	DataToggleMismatch	The last packet from the endpoint had data toggle Packet ID (PID) that did not match the expected value.	0100	Stall	TD was moved to the Done queue because the endpoint returned a STALL PID.	0101	DeviceNot Responding	The device did not respond to the token (IN) or did not provide a handshake (OUT).	0110	PIDCheckFailure	The check bits on PID from the endpoint failed on data PID (IN) or handshake (OUT).	0111	UnexpectedPID	The received PID was not valid when encountered, or the PID value is not defined.	1000	DataOverrun	The amount of data returned by the endpoint exceeded either the size of the maximum data packet allowed from the endpoint (found in the MaximumPacketSize field of ED) or the remaining buffer size.	1001	DataUnderrun	The endpoint returned is less than MaximumPacketSize and that amount was not sufficient to fill the specified buffer.	1010	-	reserved	1011	-	reserved	1100	BufferOverrun	During an IN, the HC received data from the endpoint faster than it could be written to the system memory.	1101	BufferUnderrun	During an OUT, the HC could not retrieve data from the system memory fast enough to keep up with the USB data rate.
0000	NoError	General Transfer Descriptor (TD) or isochronous data packet processing completed with no detected errors.																																										
0001	CRC	The last data packet from the endpoint contained a Cyclic Redundancy Check (CRC) error.																																										
0010	BitStuffing	The last data packet from the endpoint contained a bit stuffing violation.																																										
0011	DataToggleMismatch	The last packet from the endpoint had data toggle Packet ID (PID) that did not match the expected value.																																										
0100	Stall	TD was moved to the Done queue because the endpoint returned a STALL PID.																																										
0101	DeviceNot Responding	The device did not respond to the token (IN) or did not provide a handshake (OUT).																																										
0110	PIDCheckFailure	The check bits on PID from the endpoint failed on data PID (IN) or handshake (OUT).																																										
0111	UnexpectedPID	The received PID was not valid when encountered, or the PID value is not defined.																																										
1000	DataOverrun	The amount of data returned by the endpoint exceeded either the size of the maximum data packet allowed from the endpoint (found in the MaximumPacketSize field of ED) or the remaining buffer size.																																										
1001	DataUnderrun	The endpoint returned is less than MaximumPacketSize and that amount was not sufficient to fill the specified buffer.																																										
1010	-	reserved																																										
1011	-	reserved																																										
1100	BufferOverrun	During an IN, the HC received data from the endpoint faster than it could be written to the system memory.																																										
1101	BufferUnderrun	During an OUT, the HC could not retrieve data from the system memory fast enough to keep up with the USB data rate.																																										

Table 11: Generic PTD structure: bit description...continued

Name	Status update by HC	Description
Active	Yes	Set to logic 1 by firmware to enable the execution of transactions by the HC. When the transaction associated with this descriptor is completed, the HC sets this bit to logic 0 indicating that a transaction for this element should not be executed when it is next encountered in the schedule.
Toggle	Yes	This bit is used to generate or compare the data PID value (DATA0 or DATA1) for IN and OUT transactions. It is updated after each successful transmission or reception of a data packet.
MaxPktSize[9:0]	No	This indicates the maximum number of bytes that can be sent to or received from the endpoint in a single data packet.
EndpointNumber[3:0]	No	This is the USB address of the endpoint within the function.
B3[3] Last (PTD)	No	This indicates that it is the last PTD of a list. Logic 1 means that this PTD is the last PTD. The last PTD is used only for ISO. This bit is not used in interrupt and ATL transfers. The last PTD is indicated by the HcINTLLastPTD and HcATLLastPTD registers.
Speed (low)	No	This bit indicates the speed of the endpoint. 0 — full-speed 1 — low-speed
TotalBytes[9:0]	No	This specifies the total number of bytes to be transferred with this data structure. This can be greater than MaximumPacketSize.
B5[6] Ping-Pong	No	0 — This is the ping buffer of the paired buffer. Paired must be logic 1. 1 — This is the pong buffer of the paired buffer. Paired must be logic 1.
B5[7] Paired	No	If this bit is set to logic 1, two PTDs of the same endpoint and address can be made active at the same time. This bit is used with the Ping-Pong bit. The first paired PTD always starts with Ping = 0. The pong PTD payload can be sent out only if the ping PTD payload is sent out. You can also monitor RAM_BUFFER_STATUS to see which PTD is currently active on the USB line.
DirToken[1:0]	No	00 — set-up 01 — OUT 10 — IN 11 — reserved
FunctionAddress[6:0]	No	This field contains the USB address of the function containing the endpoint that this PTD refers to.
B7[7:5] PollingRate B7[4:0] StartingFrame (interrupt only)	No	These two fields together select a start frame number (5 bits) and polls the interrupt device at a rate specified by PollingRate (3 bits); see Section 12.6 .
B7[7:0] StartingFrame (ISO only)	No	The HC compares this byte with the current frame number (can be accessed from the HcFrameNumber register). The PTD will be processed and sent out only if the starting frame number equals to the current frame number.

12.5 Features of the control and bulk transfer (aperiodic transfer)

- A Paired PTD is a special feature that provides high performance single endpoint bulk transfer and handles set-up enumeration sequence within 1 ms. A paired PTD consists of two PTDs serving the same endpoint of a device that are set active and

placed in the ATL RAM at the same time. A paired PTD is designed specially for high performance of a single endpoint. They are identified by hardware by using the 'Paired' bit in the PTD.

- Possible to send up to a maximum of 18 USB bulk packets in 1 ms frame (1.152 Mbyte/s) by using the paired PTD feature.
- Provides the status of every transfer endpoints (PTD) by monitoring the HcATLDoneMap of the ISP1362. This register provides information on which PTD transfers are complete.
- Sets the IRQ after the user-specified number of transfers is done.
- Skips any PTD that is wasting bandwidth by using HcATLSkipMap.

12.5.1 Sending a USB device request (Get Descriptor)

This section provides an example on how a USB transfer descriptor 'Get Descriptor' (commonly used in device enumeration) is used to illustrate the ISP1362 PTD application. To perform this example, make sure the ISP1362 is in the Operational state, and then connect a USB device (for example, a USB mouse) to a port.

Remark: For details on the USB device request, refer to Chapter 9 of *Universal Serial Bus Specification Rev. 2.0*.

Step 1: Set the HcATLBlkSize, HcATLSkip and HcATLLast registers to 0x0008, 0xFFFFE and 0x0001, respectively.

Step 2: A PTD is then constructed based on the information given in the following sample code. This sample code places information into the correct bit location within the 8 bytes of the PTD structure.

```
ActualBytes (10 bits) = 0x00
CompletionCode (4 bits) = 0x0F
Active (1 bit) = 1
Toggle (1 bit) = 0
MaxPacketSize (10 bits) = 8
EndpointNumber (4 bits) = 0
Speed (1 bit) = 0 (full-speed; use 1 for low-speed)
DirToken (2 bits) = 0 (setup token)
TotalBytes (10 bits) = 8
CompletedPTD
0xF800, 0x0008, 0x0008, 0x0000
```

Step 3: This array is then appended with an 8-byte payload that specifies the type of request the HC wants to send. For example, for Get Descriptor, the payload is 0x0680, 0x0100, 0x0000, 0x0012.

Step 4: The 16 bytes of data is now a complete PTD with an accompanying payload. This array is then copied into the ATL buffer area. Table 12 shows the ATL buffer area.

Table 12: ATL buffer area

Offset	0	1	2	3	4	5	6	7
Data	0xF800	0x0008	0x0008	0x0000	0x0680	0x0100	0x0000	0x0012

Step 5: After copying data into the ATL buffer, the HC must be notified that the ATL buffer is now full and ready to be processed. The ATL_Active bit of the HcBufferStatus register must be set to logic 1 to inform the HC that the data in the

ATL buffer is now ready for processing. Once the ATL_Active bit of the HcBufferStatus register is set, the USB packet is sent out. The active bit in the PTD is cleared once the PTD is sent. Depending on the outcome of the USB transfer, the 4-bit completion code is updated.

12.6 Features of the interrupt transfer

- An interrupt transaction is sent out periodically, according to the 'interrupt polling rate' as defined in the PTD.
- An interrupt transaction causes an interrupt to the CPU only if the transaction is ACKed or has error conditions, such as STALL or no respond. An ACK condition occurs if data is received on the IN token or data is sent out on the OUT token.
- An interrupt is activated only once every ms as long as there is ACK for different interrupt transactions in the interrupt transfer buffer.
- Each interrupt transfer (PTD) placed in the INTL buffer can automatically hold or send data for more than 1 ms. This can be done using the parameters in the PTD.

Table 13: Interrupt polling

N bits [7:5]	StartingFrame N[4:0]	Interrupt polling interval (2 ^N) in ms
0	Frame 0 to 31	1
1	Frame 0 to 31	2
2	Frame 0 to 31	4
3	Frame 0 to 31	8
4	Frame 0 to 31	16
5	Frame 0 to 31	32
6	Frame 0 to 31	64
7	Frame 0 to 31	128

12.7 Features of the isochronous (ISO) transfer

- Supports multi-buffering by using the ISTL0 or ISTL1 toggling mechanism.
- The CPU can decide (in ms) how fast it can serve the ISP1362. This gives the CPU the flexibility to decide how much time it takes to read and fill in the ISO data.
- The ISTL buffer can be updated on-the-fly by using the direct addressing memory architecture.

12.8 Overcurrent protection circuit

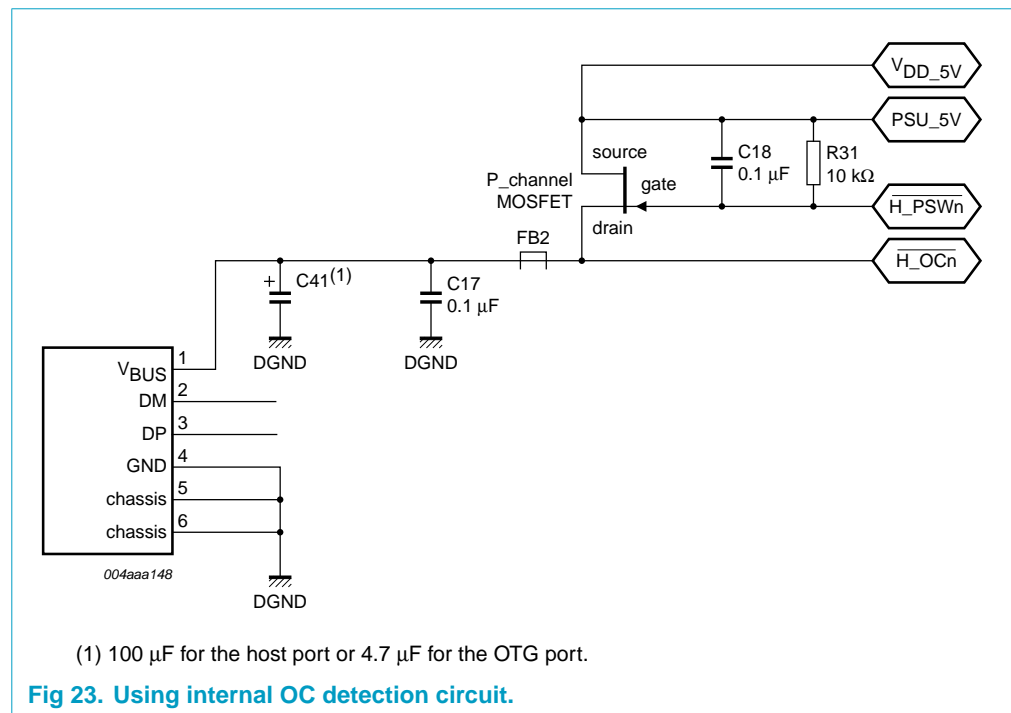
The ISP1362 has a built-in overcurrent protection circuitry. You can enable or disable this feature by setting or resetting AnalogOCEnable (bit 10) of the HcHardwareConfiguration register. If this feature is disabled, it is assumed that there is an external overcurrent protection circuitry.

12.8.1 Using internal OC detection circuit

An application using the internal OC detection circuit and internal 15 k Ω pull-down resistors is shown in Figure 23, where DMn denotes either OTG_DM1 or H_DM2, while DPn denotes either OTG_DP1 or H_DP2. In this example, the HC Driver must set both AnalogOCEnable and ConnectPullDown_DS1 (bit 10 and bit 12 of the HcHardwareConfiguration register, respectively) to logic 1.

When $\overline{H_OCn}$ detects an overcurrent status on a downstream port, $\overline{H_PSWn}$ will output HIGH to turn off the 5 V power supply to the downstream port V_{BUS} . When there is no such detection, $\overline{H_PSWn}$ will output LOW to turn on the 5 V power supply to the downstream port V_{BUS} .

In general applications, you can use a P-channel MOSFET as the power switch for V_{BUS} . Connect the 5 V power supply to the source pole of the P-channel MOSFET, V_{BUS} to the drain pole, and $\overline{H_PSWn}$ to the gate pole. This voltage drop (ΔV) across the drain and source poles can be called the overcurrent trip voltage. For the internal overcurrent detection circuit, a voltage comparator has been designed-in, with a nominal voltage threshold of 75 mV. Therefore, when the overcurrent trip voltage (ΔV) exceeds the voltage threshold, $\overline{H_PSWn}$ will output a HIGH level to turn off the P-channel MOSFET. If the P-channel MOSFET has R_{DSon} of 150 m Ω , the overcurrent threshold will be 500 mA. The selection of a P-channel MOSFET with a different R_{DSon} will result in a different overcurrent threshold.

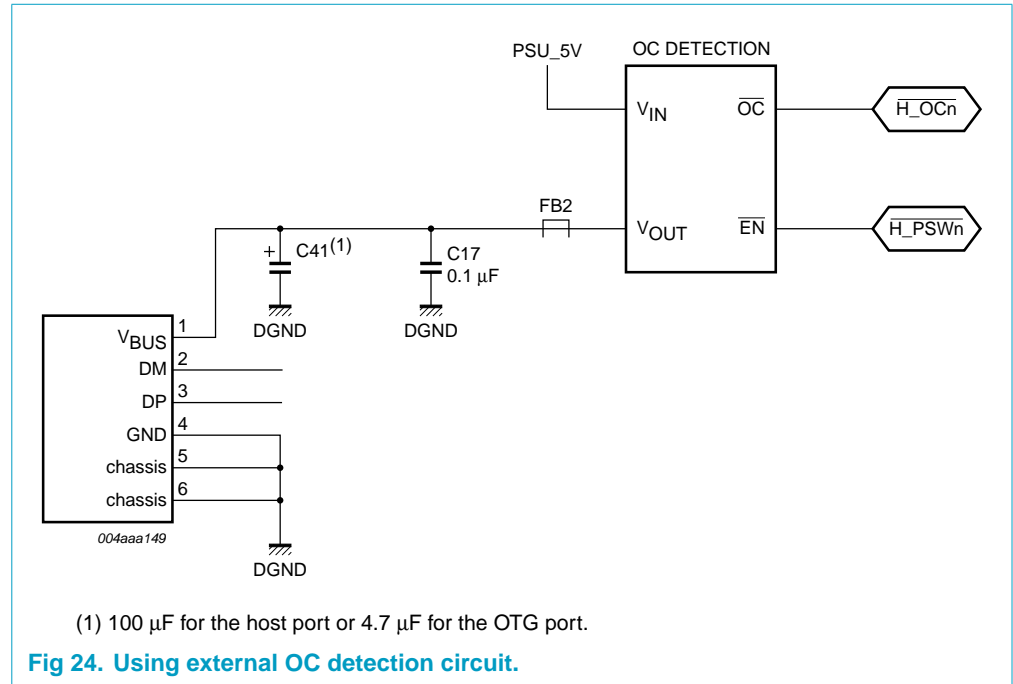


12.8.2 Using external OC detection circuit

When V_{CC} (pin 56) is connected to the 3.3 V power supply instead of the 5 V power supply, the internal OC detection circuit cannot be used. An external OC detection circuit must be used instead. Nevertheless, regardless of V_{CC} connection, an external OC detection circuit can be used from time to time. To use an external OC detection

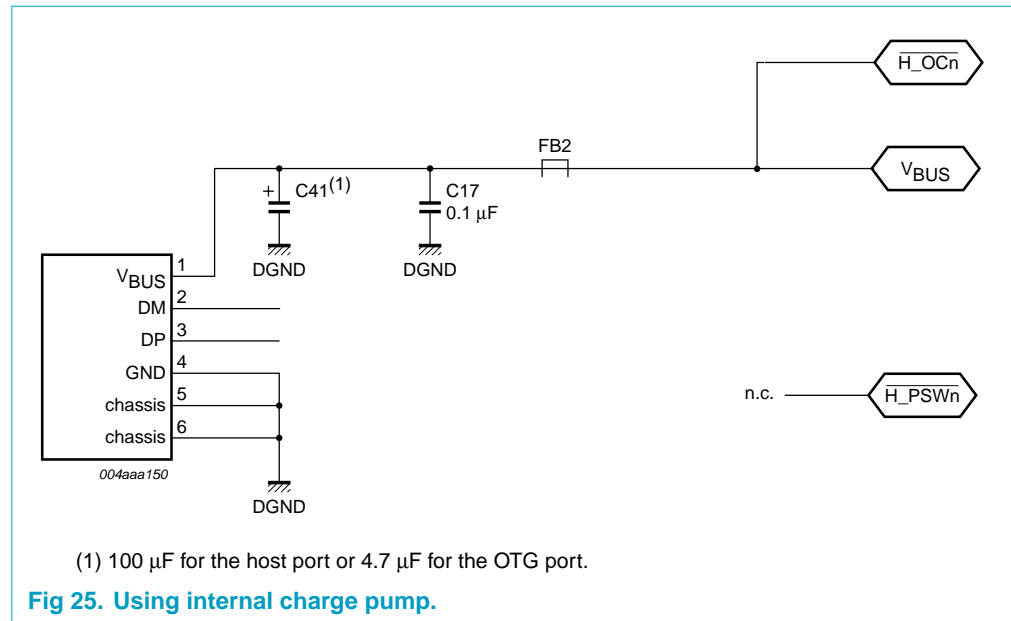
circuit, set AnalogOCEnable, bit 10 of register HcHardwareConfiguration, to logic 0. By default after reset this bit is set to logic 0. Therefore, the HC Driver does not need to clear this bit.

Figure 24 shows how to use an external OC detection circuit.



12.8.3 OC detection circuit using internal charge pump in the OTG mode

When port 1 is operating in the OTG mode, you may choose to use the internal charge pump to provide 5 V V_{BUS} , or supply V_{BUS} from an external source. In this mode, the overcurrent condition is detected by a drop in V_{BUS} that will be sensed by the built-in comparator. The overcurrent condition causes a change in the A_VBUS_VLD bit of the OtgStatus register. The software has to clear the DRV_VBUS bit in the OtgControl register when it detects the A_VBUS_VLD bit turning to logic 0.



12.8.4 OC detection circuit using external 5 V power source in the OTG mode

In the OTG mode using external 5 V power source for V_{BUS} , the circuit and the operation are the same as that for the non-OTG mode (see [Section 12.8.1](#) and [Section 12.8.2](#)).

12.9 ISP1362 HC Power Management

In the ISP1362, the HC and the DC are suspended and waken up individually. The $H_SUSPEND/H_WAKEUP$ and $D_SUSPEND/D_WAKEUP$ pins must be pulled-up by a large resistor (100 k Ω). In the suspend state, these pins are HIGH. To wake up the HC, these pins must be pulled LOW.

The ISP1362 can be partially suspended (only the HC or only the DC). In the partially suspended state, clock circuit and PLL continue to work. To save power, both the HC and the DC must be set to the suspend mode.

The HC can be suspended by writing 0x06C0 to the HcControl register.

The HC can be set awake by one of the following ways:

- LOW pulse on the $H_SUSPEND/H_WAKEUP$ pin, minimum length of pulse is 25 ns.
- LOW pulse on the chip select (\overline{CS}) pin, minimum length of pulse is 25 ns.
- Resume signal by USB devices connected to the downstream port.

On waking up from the suspend state, the clock to the HC will sustain for 5 ms. Within this 5 ms, the HC Driver must set the HC to the operational mode by writing 0x0680 to the HcControl register. If the HcControl register remains in the suspend state (0x06C0) after waking up the HC, the HC will return to the suspend state after 5 ms.

13. USB Device Controller (DC)

The design of the DC in the ISP1362 is compatible with the Philips ISP1181B USB full-speed interface device IC. The functionality of the DC in the ISP1362 is similar to the ISP1181B in the 16-bit bus mode. In addition, the command and register sets are also the same.

In general, the DC in the ISP1362 provides 16 endpoints for the USB device implementation. Each endpoint can be allocated RAM space in the on-chip ping pong buffer RAM.

Remark: The ping pong buffer RAM for the DC is independent of the buffer RAM for the Host Controller (HC). When the buffer RAM is full, the DC transfers the data in the buffer RAM to the USB bus. When the buffer RAM is empty, an interrupt is generated to notify the microprocessor to feed in data. The transfer of data between a microprocessor and the DC can be done in either the Programmed I/O (PIO) mode or in the direct memory access (DMA) mode.

13.1 DC data transfer operation

The following sessions explains how the DC in the ISP1362 handles an IN data transfer and an OUT data transfer. An IN data transfer means transfer from the ISP1362 to an external USB host (through the upstream port), and an OUT transfer means transfer from an external USB host to the ISP1362. In the device mode, the ISP1362 acts as a USB device.

13.1.1 IN data transfer

- The arrival of the IN token is detected by the Serial Interface Engine (SIE) by decoding the Packet IDentifier (PID).
- The SIE also checks the device number and the endpoint number to verify whether they are okay.
- If the endpoint is enabled, the SIE checks the contents of the DcEndpointStatus register (ESR). If the endpoint is full, the contents of the buffer memory are sent during the data phase else an NAK handshake is sent.
- After the data phase, the SIE expects a handshake (ACK) from the host (except for ISO endpoints).
- On receiving the handshake (ACK), the SIE updates the contents of the DcEndpointStatus and DcInterrupt registers, which in turn generates an interrupt to the microprocessor. For ISO endpoints, the DcInterrupt register is updated as soon as data is sent because there is no handshake phase.
- On receiving an interrupt, the microprocessor reads the DcInterrupt register. It will know which endpoint has generated the interrupt and reads the contents of the corresponding ESR. If the buffer is empty, it fills up the buffer so that data can be sent by the SIE at the next IN token phase.

13.1.2 OUT data transfer

- The arrival of the OUT token is detected by the SIE by decoding the PID.
- The SIE checks the device and endpoint numbers to verify whether they are okay.

- If the endpoint is enabled, the SIE checks the contents of the ESR. If the endpoint is empty, the data from USB is stored in the buffer memory during the data phase else a NAK handshake is sent.
- After the data phase, the SIE sends a handshake (ACK) to the host (except for ISO endpoints).
- The SIE updates the contents of the DcEndpointStatus register and the DcInterrupt register, which in turn generates an interrupt to the microprocessor. For ISO endpoints, the DcInterrupt register is updated as soon as data is received because there is no handshake phase.
- On receiving an interrupt, the microprocessor reads the DcInterrupt register. It will know which endpoint has generated the interrupt and reads the content of the corresponding ESR. If the buffer is full, it empties the buffer so that data can be received by the SIE at the next OUT token phase.

13.2 Device DMA transfer

13.2.1 DMA for IN endpoint (internal DC to the external USB host)

When the internal DMA handler is enabled and at least one buffer (ping or pong) is free, the DREQ2 line is asserted. The external DMA controller then starts negotiating for control of the bus. As soon as it has access, it asserts the $\overline{\text{DACK2}}$ line and starts writing data. The burst length is programmable. When the number of bytes equal to the burst length has been written, the DREQ2 line is deasserted. As a result, the DMA controller deasserts the $\overline{\text{DACK2}}$ line and releases the bus. At that moment, the whole cycle restarts for the next burst.

When the buffer is full, the DREQ2 line is deasserted and the buffer is validated (which means that it is sent to the host at the next IN token). When the DMA transfer is terminated, the buffer is also validated (even if it is not full). A DMA transfer is terminated when any of the following conditions are met:

- The DMA count is complete
- $\text{DMAEN} = 0$.

Remark: If the OneDMA bit in the HcHardwareConfiguration register is set to logic 1, the DC DMA controller handshake signals DREQ2 and $\overline{\text{DACK2}}$ are routed to DREQ1 and $\overline{\text{DACK1}}$.

13.2.2 DMA for OUT endpoint (external USB host to internal DC)

When the internal DMA handler is enabled and at least one buffer is full, the DREQ2 line is asserted. The external DMA controller then starts negotiating for control of the bus, and as soon as it has access, it asserts the $\overline{\text{DACK2}}$ line and starts reading data. The burst length is programmable. When the number of bytes equal to the burst length has been read, the DREQ2 line is deasserted. As a result, the DMA controller deasserts the $\overline{\text{DACK2}}$ line and releases the bus. At that moment, the whole cycle restarts for the next burst. When all the data is read, the DREQ2 line is deasserted and the buffer is cleared (this means that it can be overwritten when a new packet arrives). A DMA transfer is terminated when any of the following conditions are met:

- The DMA count is complete
- $\text{DMAEN} = 0$.

Remark: If the OneDMA bit in the HcHardwareConfiguration register is set to logic 1, the DC DMA controller handshake signals DREQ2 and $\overline{\text{DACK2}}$ are routed to DREQ1 and $\overline{\text{DACK1}}$.

When the DMA transfer is terminated, the buffer is also cleared (even if data is not completely read) and the DMA handler is automatically disabled. For the next DMA transfer, the DMA controller as well as the DMA handler must be re-enabled.

13.3 Endpoint description

13.3.1 Endpoints with programmable buffer memory size

Each USB device is logically composed of several independent endpoints. An endpoint acts as a terminus of a communication flow between the USB host and the USB device. At design time, each endpoint is assigned a unique number (endpoint identifier, see [Table 14](#)). The combination of the device address (given by the host during enumeration), the endpoint number, and the transfer direction allows each endpoint to be uniquely referenced.

The DC has 16 endpoints: endpoint 0 (control IN and OUT) and 14 configurable endpoints, which can be individually defined as interrupt, bulk or isochronous—IN or OUT. Each enabled endpoint has an associated buffer memory, which can be accessed either by using the programmed I/O interface mode or by using the DMA mode.

13.3.2 Endpoint access

[Table 14](#) lists the endpoint access modes and programmability. All endpoints support I/O mode access. Endpoints 1 to 14 also support the DMA mode access. DC buffer memory DMA access is selected and enabled using bits EPIDX[3:0] and DMAEN of the DcDMAConfiguration register. A detailed description of the DC DMA operation is given in [Section 13.4](#).

Table 14: Endpoint access and programmability

Endpoint identifier	Buffer memory size (bytes) ^[1]	Double buffering	PIO mode access	DMA mode access	Endpoint type
0	64 (fixed)	no	yes	no	control OUT ^{[2][3]}
0	64 (fixed)	no	yes	no	control IN ^{[2][3]}
1 to 14	programmable	supported	supported	supported	programmable

[1] The total amount of the buffer memory storage allocated to enabled endpoints must not exceed 2462 bytes.

[2] IN: input for the USB host (DC transmits); OUT: output from the USB host (DC receives).

[3] The data flow direction is determined by the EPDIR bit of the DcEndpointConfiguration register.

13.3.3 Endpoint buffer memory size

The size of the buffer memory determines the maximum packet size that the hardware can support for a given endpoint. Only enabled endpoints are allocated space in the shared buffer memory storage, disabled endpoints have zero bytes. [Table 15](#) lists the programmable buffer memory sizes.

The following bits of the DcEndpointConfiguration register (ECR) affect the buffer memory allocation:

- Endpoint enable bit (FIFOEN)

- Size bits of an enabled endpoint (FFOSZ[3:0])
- Isochronous bit of an enabled endpoint (FFOISO).

Remark: A register change that affects the allocation of the shared buffer memory storage among endpoints must not be made while valid data is present in any buffer memory of the enabled endpoints. Such changes renders all buffer memory contents undefined.

Table 15: Programmable buffer memory size

FFOSZ[3:0]	Non-isochronous	Isochronous
0000	8 bytes	16 bytes
0001	16 bytes	32 bytes
0010	32 bytes	48 bytes
0011	64 bytes	64 bytes
0100	reserved	96 bytes
0101	reserved	128 bytes
0110	reserved	160 bytes
0111	reserved	192 bytes
1000	reserved	256 bytes
1001	reserved	320 bytes
1010	reserved	384 bytes
1011	reserved	512 bytes
1100	reserved	640 bytes
1101	reserved	768 bytes
1110	reserved	896 bytes
1111	reserved	1023 bytes

Each programmable buffer memory can be independently configured by using its ECR, but the total physical size of all enabled endpoints (IN plus OUT) must not exceed 2462 bytes.

Table 16 shows an example of a configuration fitting in the maximum available space of 2462 bytes. The total number of logical bytes in the example is 1311. The physical storage capacity used for double buffering is managed by the device hardware and is transparent to the user.

Table 16: Memory configuration example

Physical size (bytes)	Logical size (bytes)	Endpoint description
64	64	control IN (64-byte fixed)
64	64	control OUT (64-byte fixed)
2046	1023	double-buffered 1023-byte isochronous endpoint
16	16	16-byte interrupt OUT
16	16	16-byte interrupt IN
128	64	double-buffered 64-byte bulk OUT
128	64	double-buffered 64-byte bulk IN

13.3.4 Endpoint initialization

In response to the standard USB request Set Interface, the firmware must program all the 16 ECRs of the DC in sequence (see Table 14), whether endpoints are enabled or not. The hardware then automatically allocates buffer memory storage space.

If all endpoints have been successfully configured, the firmware must return an empty packet to the control IN endpoint to acknowledge success to the host. If there are errors in the endpoint configuration, the firmware must stall the control IN endpoint.

When reset by hardware or by the USB bus occurs, the DC disables all endpoints and clears all ECRs, except the control endpoint which is fixed and always enabled.

An endpoint initialization can be done at any time. It is, however, valid only after enumeration.

13.3.5 Endpoint I/O mode access

When an endpoint event occurs (a packet is transmitted or received), the associated endpoint interrupt bits (EPn) of the DcInterrupt register (IR) are set by the SIE. The firmware then responds to the interrupt and selects the endpoint for processing.

The endpoint interrupt bit is cleared by reading the DcEndpointStatus register (ESR). The ESR also contains information on the status of the endpoint buffer.

For an OUT (= receive) endpoint, the packet length and packet data can be read from the DC by using the Read Buffer command. When the whole packet has been read, the firmware sends a Clear Buffer command to enable the reception of new packets.

For an IN (= transmit) endpoint, the packet length and data to be sent can be written to the DC by using the Write Buffer command. When the whole packet has been written to the buffer, the firmware sends a Validate Buffer command to enable data transmission to the host.

13.3.6 Special actions on control endpoints

Control endpoints require special firmware actions. The arrival of a Set-up packet flushes the IN buffer and disables the Validate Buffer and Clear Buffer commands for the control IN and OUT endpoints. The microprocessor needs to re-enable these commands by sending an Acknowledge Set-up command to **both** the control endpoints.

This ensures that the last Set-up packet stays in the buffer and that no packets can be sent back to the host until the microprocessor has explicitly acknowledged that it has received the Set-up packet.

13.4 DC direct memory access (DMA) transfer

DMA is a method to transfer data from one location to another in a computer system, without intervention of the CPU. Many different implementations of DMA exist. The DC supports the 8237 compatible mode.

8237 compatible mode: based on the DMA subsystem of the IBM personal computers (PC, AT and all its successors and clones); this architecture uses the Intel 8237 DMA controller and has separate address spaces for memory and I/O.

The following features are supported:

- Single-cycle or burst transfers (up to 16 bytes per cycle)
- Programmable transfer direction (read or write)
- Multiple End-Of-Transfer (EOT) sources: internal conditions, short or empty packet
- Programmable signal levels on pins DREQ2 and $\overline{\text{DACK2}}$.

13.4.1 Selecting an endpoint for the DMA transfer

The target endpoint for DMA access is selected using bits EPDIX[3:0] of the DcDMAConfiguration register, as shown in Table 17. The transfer direction (read or write) is automatically set by the EPDIR bit in the associated ECR, to match the selected endpoint type (OUT endpoint: read; IN endpoint: write).

Asserting input $\overline{\text{DACK2}}$ automatically selects the endpoint specified in the DcDMAConfiguration register, regardless of the current endpoint used for the I/O mode access.

Table 17: Endpoint selection for DMA transfer

Endpoint identifier	EPDIX[3:0]	Transfer direction	
		EPDIR = 0	EPDIR = 1
1	0010	OUT: read	IN: write
2	0011	OUT: read	IN: write
3	0100	OUT: read	IN: write
4	0101	OUT: read	IN: write
5	0110	OUT: read	IN: write
6	0111	OUT: read	IN: write
7	1000	OUT: read	IN: write
8	1001	OUT: read	IN: write
9	1010	OUT: read	IN: write
10	1011	OUT: read	IN: write
11	1100	OUT: read	IN: write
12	1101	OUT: read	IN: write
13	1110	OUT: read	IN: write
14	1111	OUT: read	IN: write

13.4.2 8237 compatible mode

The 8237 compatible DMA mode is selected by clearing the DAKOLY bit of the DcHardwareConfiguration register (see Table 114). The pin functions for this mode are shown in Table 18.

Table 18: 8237 compatible mode: pin functions

Symbol	Description	I/O	Function
DREQ2	DMA request of DC	O	DC requests a DMA transfer
$\overline{\text{DACK2}}$	DMA acknowledge of DC	I	DMA controller confirms the transfer
EOT	end of transfer	I	DMA controller terminates the transfer
$\overline{\text{RD}}$	read strobe	I	instructs the DC to put data on the bus
$\overline{\text{WR}}$	write strobe	I	instructs the DC to get data from the bus

The DMA subsystem of an IBM-compatible PC is based on the Intel 8237 DMA controller. It operates as a 'fly-by' DMA controller. Data is not stored in the DMA controller, but it is transferred between an I/O port and a memory address. A typical example of the DC in 8237 compatible DMA mode is given in Figure 26.

The 8237 has two control signals for each DMA channel: DREQ (DMA Request) and $\overline{\text{DACK}}$ (DMA Acknowledge). General control signals are HRQ (Hold Request) and HLDA (Hold Acknowledge). The bus operation is controlled by $\overline{\text{MEMR}}$ (Memory Read), $\overline{\text{MEMW}}$ (Memory Write), $\overline{\text{IOR}}$ (I/O read) and $\overline{\text{IOW}}$ (I/O write).

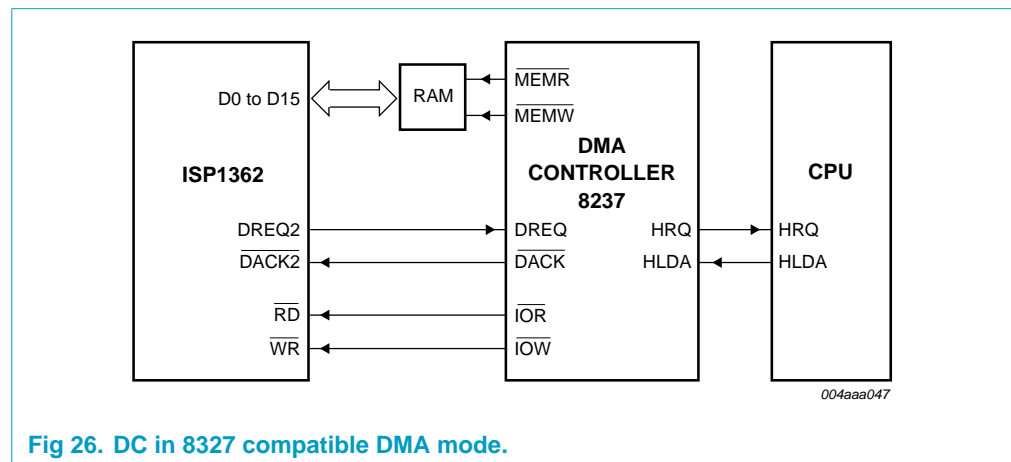


Fig 26. DC in 8237 compatible DMA mode.

The following example shows the steps that occur in a typical DMA transfer:

1. The DC receives a data packet in one of its endpoint buffer memory. The packet must be transferred to memory address 1234H.
2. The DC asserts the DREQ2 signal requesting the 8237 for a DMA transfer.
3. The 8237 asks the CPU to release the bus by asserting the HRQ signal.
4. After completing the current instruction cycle, the CPU places the bus control signals ($\overline{\text{MEMR}}$, $\overline{\text{MEMW}}$, $\overline{\text{IOR}}$ and $\overline{\text{IOW}}$) and the address lines in three-state and asserts HLDA to inform the 8237 that it has control of the bus.
5. The 8237 now sets its address lines to 1234H and activates the $\overline{\text{MEMW}}$ and $\overline{\text{IOR}}$ control signals.
6. The 8237 asserts $\overline{\text{DACK}}$ to inform the DC that it will start a DMA transfer.
7. The DC now places the word to be transferred on the data bus lines because its $\overline{\text{RD}}$ signal was asserted by the 8237.
8. The 8237 waits one DMA clock period and then deasserts $\overline{\text{MEMW}}$ and $\overline{\text{IOR}}$. This latches and stores the word at the desired memory location. It also informs the DC that the data on the bus lines has been transferred.
9. The DC deasserts the DREQ2 signal to indicate to the 8237 that DMA is no longer needed. In the **Single cycle mode**, this is done after each byte or word; in the **Burst mode**, following the last transferred byte or word of the DMA cycle.
10. The 8237 deasserts the $\overline{\text{DACK}}$ output indicating that the DC must stop placing data on the bus.

11. The 8237 places the bus control signals ($\overline{\text{MEMR}}$, $\overline{\text{MEMW}}$, $\overline{\text{IOR}}$ and $\overline{\text{IOW}}$) and the address lines in three-state and deasserts the HRQ signal, informing the CPU that it has released the bus.
12. The CPU acknowledges control of the bus by deasserting HLDA. After activating the bus control lines ($\overline{\text{MEMR}}$, $\overline{\text{MEMW}}$, $\overline{\text{IOR}}$ and $\overline{\text{IOW}}$) and the address lines, the CPU resumes the execution of instructions.

For a typical bulk transfer, the preceding process is repeated 32 times, once for each word. After each word, the DcAddress register in the DMA controller is incremented by two and the byte counter is decremented by two. When using the 16-bit DMA, the number of transfers is 32 and address incrementing and byte counter decrementing is done by two for each word.

13.4.3 End-Of-Transfer conditions

Bulk endpoints: A DMA transfer to or from a bulk endpoint can be terminated by any of the following conditions (bit names refer to the DcDMAConfiguration register, see [Table 118](#) and [Table 119](#)):

- The DMA transfer completes as programmed in the DcDMACounter register (CNTREN = 1)
- A short packet is received on an enabled OUT endpoint (SHORTP = 1)
- DMA operation is disabled by clearing the DMAEN bit.

DcDMACounter register — An EOT from the DcDMACounter register is enabled by setting bit CNTREN of the DcDMAConfiguration register. The DC has a 16-bit DcDMACounter register, which specifies the number of bytes to be transferred. When DMA is enabled (DMAEN = 1), the internal DMA counter is loaded with the value from the DcDMACounter register. When the internal counter completes the transfer as programmed in the DMA counter, an EOT condition is generated and the DMA operation stops.

Short packet — Normally, the transfer byte count must be set using a control endpoint before any DMA transfer takes place. When a short packet has been enabled as EOT indicator (SHORTP = 1), the transfer size is determined by the presence of a short packet in the data. This mechanism permits the use of a fully autonomous data transfer protocol.

When reading from an OUT endpoint, reception of a short packet at an OUT token will stop the DMA operation after transferring the data bytes of this packet.

Table 19: Summary of EOT conditions for a bulk endpoint

EOT condition	OUT endpoint	IN endpoint
DcDMACounter register	transfer completes as programmed in the DcDMACounter register	transfer completes as programmed in the DcDMACounter register
Short packet	short packet is received and transferred	counter reaches zero in the middle of the buffer
DMAEN bit of the DcDMAConfiguration register	DMAEN = 0 ^[1]	DMAEN = 0 ^[1]

[1] The DMA transfer stops. No interrupt, however, is generated.

Isochronous endpoints: A DMA transfer to or from an isochronous endpoint can be terminated by any of the following conditions (bit names refer to the DcDMAConfiguration register, see [Table 118](#) and [Table 119](#)):

- The DMA transfer completes as programmed in the DcDMACounter register (CNTREN = 1)
- An End-Of-Packet (EOP) signal is detected
- DMA operation is disabled by clearing bit DMAEN.

Table 20: Recommended EOT usage for isochronous endpoints

EOT condition	OUT endpoint	IN endpoint
DcDMACounter register zero	do not use	preferred

13.5 ISP1362 DC suspend and resume

13.5.1 Suspend conditions

The DC in the ISP1362 detects a USB suspend condition in either of the following cases:

- Constant idle state is present on the USB bus for 3 ms.
- V_{BUS} is lost.

Bus-powered devices that are suspended must not consume more than 500 μ A of current. This is achieved by shutting down the power to system components or supplying them with a reduced voltage.

The steps leading the DC to the suspend state are as follows:

1. In the event of no SOF for 3 ms, the DC in the ISP1362 sets bit SUSPND of the DcInterrupt register. This will generate an interrupt if bit IESUSP of the DcInterruptEnable register is set.
2. When the firmware detects a suspend condition (through the IESUSP), it must prepare all system components for the suspend state:
 - a. All the signals connected to the DC in the ISP1362 must enter appropriate states to meet the power consumption requirements of the suspend state.
 - b. All the input pins of the DC in the ISP1362 must have a CMOS logic 0 or logic 1 level.
3. In the interrupt service routine, the firmware must check the current status of the USB bus. When bit BUSTATUS of the DcInterrupt register is logic 0, the USB bus has left the suspend mode and the process must be aborted. Otherwise, the next step can be executed.
4. To meet the suspend current requirements for a bus-powered device, the internal clocks must be switched off by clearing bit CLKRUN of the DcHardwareConfiguration register.
5. When the firmware has set and cleared the GOSUSP bit of the DcMode register, the DC in the ISP1362 enters the suspend state. It sets the $\overline{D_SUSPEND/D_WAKEUP}$ pin to HIGH and switches off the internal clocks after 2 ms.

The DC in the ISP1362 will remain in the suspend state for at least 5 ms, before responding to external wake-up events, such as global resume, bus traffic, \overline{CS} active or LOW pulse on the $\overline{D_SUSPEND/D_WAKEUP}$ pin.

Figure 27 shows a typical timing diagram for the DC suspend and resume operations.

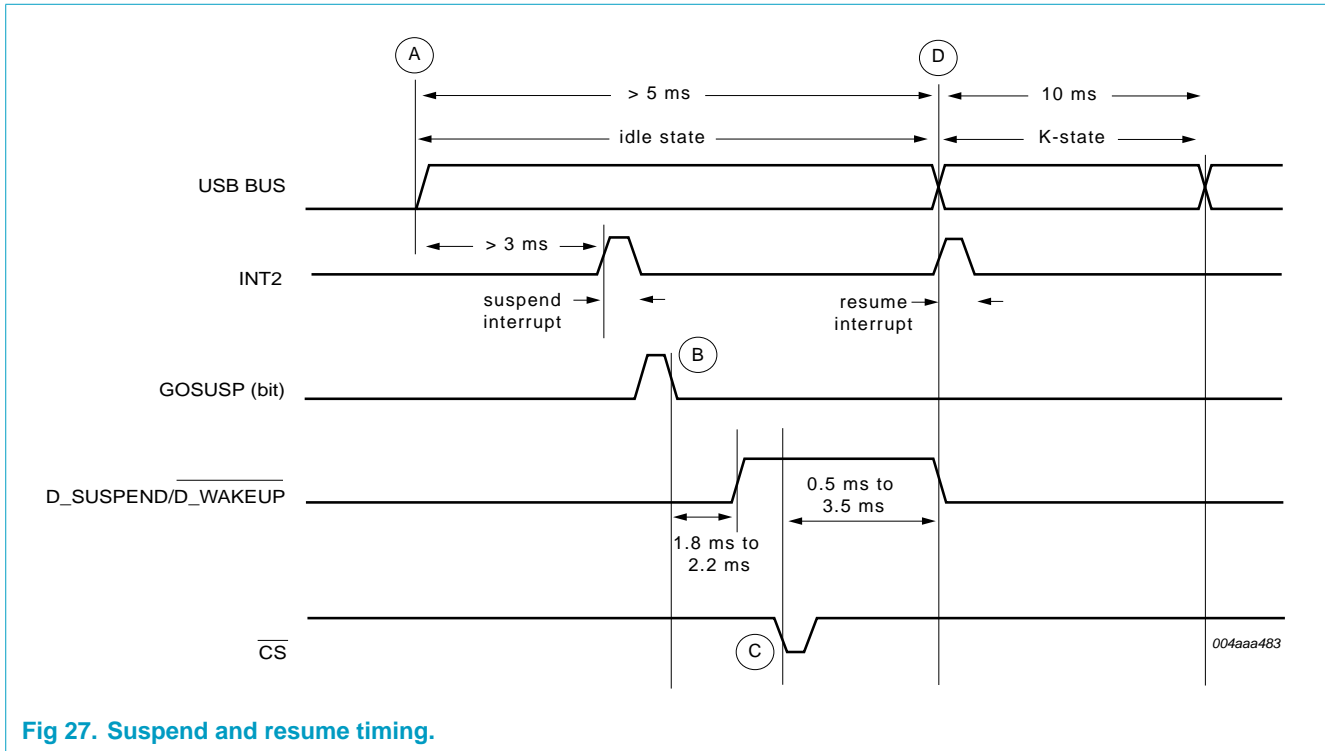


Fig 27. Suspend and resume timing.

In Figure 27:

- A** — indicates the point at which the USB bus goes to the idle state.
- B** — after detecting the suspend interrupt, set and clear the GOSUSP bit in the Mode register.
- C** — indicates resume condition, which can be a resume signal from the host, a LOW pulse on the $\overline{D_SUSPEND/D_WAKEUP}$ pin, or a LOW pulse on the \overline{CS} pin.
- D** — indicates remote wake-up. The ISP1362 will drive a K-state on the USB bus for 10 ms after the $\overline{D_SUSPEND/D_WAKEUP}$ pin goes LOW or the \overline{CS} pin goes LOW.

13.5.2 Resume conditions

Wake-up from the suspend state is initiated either by the USB host or by the application:

- USB host: drives a K-state on the USB bus (global resume)
- Application: remote wake-up using a LOW pulse on pin $\overline{D_SUSPEND/D_WAKEUP}$ or a LOW pulse on pin \overline{CS} (if enabled using bit WKUPCS of the DcHardwareConfiguration register).

The steps of a wake-up sequence are as follows:

1. The internal oscillator and the PLL multiplier are re-enabled. When stabilized, the clock signals are routed to all internal circuits of the DC in the ISP1362.
2. The D_SUSPEND/ $\overline{D_WAKEUP}$ pin goes LOW, and the RESUME bit of the DcInterrupt register is set. This will generate an interrupt if bit IERESUME of the DcInterruptEnable register is set.
3. 5 ms after starting the wake-up sequence, the DC in the ISP1362 resumes its normal functionality (this could be set to 100 μ s by setting pin TEST0 to HIGH).
4. In case of a remote wake-up, the DC in the ISP1362 drives a K-state on the USB bus for 10 ms.
5. The application restores itself and other system components to normal operating mode.
6. After wake-up, the internal registers of the DC in the ISP1362 are read and write-protected to prevent corruption by inadvertent writing during power-up of external components. The firmware must send an Unlock Device command to the DC in the ISP1362 to restore its full functionality.

14. OTG registers

Table 21: OTG Control registers summary

Command (Hex)		Register	Width	References	Functionality
Read	Write				
62	E2	OtgControl	16	Section 14.1 on page 60	OTG Operation registers
67	N/A	OtgStatus	16	Section 14.2 on page 62	
68	E8	OtgInterrupt	16	Section 14.3 on page 63	
69	E9	OtgInterruptEnable	16	Section 14.4 on page 66	
6A	EA	OtgTimer	32	Section 14.5 on page 67	
6C	EC	OtgAltTimer	32	Section 14.6 on page 68	

14.1 OtgControl register (R/W: 62H/E2H)

Code (Hex): 62 — read

Code (Hex): E2 — write

Table 22: OtgControl register: bit allocation

Bit	15	14	13	12	11	10	9	8
Symbol	reserved				OTG_SE0_EN	A_SRP_DET_EN	A_SEL_SRP	SEL_HC_DC
Reset	-	-	-	-	0	0	0	1
Access	-	-	-	-	R/W	R/W	R/W	R/W
Bit	7	6	5	4	3	2	1	0
Symbol	LOC_PULLDN_DM	LOC_PULLDN_DP	A_RDIS_LCON_EN	LOC_CONN	SEL_CP_EXT	DISCHRG_VBUS	CHRG_VBUS	DRV_VBUS
Reset	1	1	0	0	0	0	0	0
Access	R/W	R/W	R/W	R/W	R/W	R/W	R/W	R/W

Table 23: OtgControl register: bit description

Bit	Symbol	Description
15 to 12	-	reserved
11	OTG_SE0_EN	<p>This bit is used by the HC to send SE0 on remote connect.</p> <p>0 — No SE0 sent on remote connect detection 1 — SE0 (bus reset) sent on remote connect detection</p> <p>Remark: This bit is normally set when the B-device goes into the b_wait_acon state (recommended sequence: LOC_CONN = 0 -> DELAY -> 50 μs -> OTG_SE0_EN = 1 -> SEL_HC_DC = 0) and is cleared when it comes out of the b_wait_acon state.</p>
10	A_SRP_DET_EN	<p>This bit is for the A-device only. If set, the A_SRP_DET bit in the OtgInterrupt register will be set on detecting an SRP event.</p> <p>0 — disable 1 — enable</p>
9	A_SEL_SRP	<p>This bit is for the A-device to select a method for detecting the SRP event (V_{BUS} pulsing or data line pulsing).</p> <p>0 — A-device responds to V_{BUS} pulsing 1 — A-device responds to data line pulsing</p>
8	SEL_HC_DC	<p>This bit is used to select either the DC or the HC that interfaces with the transceiver.</p> <p>0 — HC SIE is connected to the OTG transceiver 1 — DC SIE is connected to the OTG transceiver</p>
7	LOC_PULLDN_DM	<p>0 — disconnects the on-chip pull-down resistor on DM of the OTG port 1 — connects the on-chip pull-down resistor on DM of the OTG port</p>
6	LOC_PULLDN_DP	<p>0 — disconnects the on-chip pull-down resistor on DP of the OTG port 1 — connects the on-chip pull-down resistor on DP of the OTG port</p>
5	A_RDIS_LCON_EN	<p>This bit is for the A-device only. If set, the chip will automatically enable its pull-up resistor on DP upon detecting a remote disconnect event. If cleared, the DP pull-up is controlled by the LOC_CONN bit.</p> <p>0 — disable 1 — enable</p> <p>Remark: This bit is normally set when the A-device goes into the a_suspend state and is cleared when it comes out of the a_suspend state. The LOC_CONN bit must be set before clearing this bit.</p>

Table 23: OtgControl register: bit description...continued

Bit	Symbol	Description
4	LOC_CONN	<p>0 — disconnect the on-chip pull-up resistor on DP of the OTG port</p> <p>1 — connect the on-chip pull-up resistor on DP of the OTG port</p>
3	SEL_CP_EXT	<p>This bit is for the A-device only. This bit is used to choose the power source to drive V_{BUS}.</p> <p>0 — use on-chip charge pump to drive V_{BUS}</p> <p>1 — use external power source (5 V) to drive V_{BUS}</p> <p>Remark: When using the external power source, the H_PSW1 pin serves as the power switch that is controlled by the DRV_VBUS bit of this register.</p>
2	DISCHRG_VBUS	<p>This bit is for the B-device only. If set, it will enable a pull-down resistor on V_{BUS}, which will help to speed up discharging of V_{BUS} below session end threshold voltage.</p> <p>0 — disable</p> <p>1 — enable</p>
1	CHRG_VBUS	<p>This bit is for the B-device only. If set, it will charge V_{BUS} through a resistor.</p> <p>0 — disable charging V_{BUS} of the OTG port</p> <p>1 — enable charging V_{BUS} of the OTG port</p>
0	DRV_VBUS	<p>This bit is used to enable the on-chip charge pump or external power source to drive V_{BUS}. For the B-device, it shall not enable this bit at any time.</p> <p>0 — disable driving V_{BUS} of the OTG port</p> <p>1 — enable driving V_{BUS} of the OTG port</p>

14.2 OtgStatus register (R: 67H)

Code (Hex): 67 — read only

Table 24: OtgStatus register: bit allocation

Bit	15	14	13	12	11	10	9	8
Symbol	reserved						SE0_2MS	reserved
Reset	-	-	-	-	-	-	0	-
Access	-	-	-	-	-	-	R	-
Bit	7	6	5	4	3	2	1	0
Symbol	reserved		RMT_CONN	B_SESS_VLD	A_SESS_VLD	B_SESS_END	A_VBUS_VLD	ID_REG
Reset	-	-	0	0	0	1	0	1
Access	-	-	R	R	R	R	R	R

Table 25: OtgStatus register: bit description

Bit	Symbol	Description
15 to 10	-	reserved
9	SE0_2MS	<p>0 — bus is in SE0 for less than 2 ms</p> <p>1 — bus is in SE0 for more than 2 ms</p>
8 to 6	-	reserved
5	RMT_CONN	<p>0 — remote pull-up resistor disconnected</p> <p>1 — remote pull-up resistor connected</p> <p>Remark: When the local pull-up resistor on the DP-line is disabled, a 50 μs delay is applied before RMT_CONN detection is enabled.</p>
4	B_SESS_VLD	<p>For the B-device (ID_REG = 1), this bit is a B-device session valid indicator (B_SESS_VLD).</p> <p>0 — V_{BUS} is lower than VB_SESS_VLD</p> <p>1 — V_{BUS} is higher than VB_SESS_VLD</p>
3	A_SESS_VLD	<p>For the A-device (ID_REG = 0), this bit is an A-device session valid indicator (A_SESS_VLD).</p> <p>0 — V_{BUS} is lower than VA_SESS_VLD</p> <p>1 — V_{BUS} is higher than VA_SESS_VLD</p>
2	B_SESS_END	<p>For the B-device (ID_REG = 1), this bit is a B-device session end indicator (B_SESS_END).</p> <p>0 — V_{BUS} is higher than VB_SESS_END</p> <p>1 — V_{BUS} is lower than VB_SESS_END</p>
1	A_VBUS_VLD	<p>For the A-device (ID_REG = 0), this bit is an A-device V_{BUS} valid indicator (A_VBUS_VLD).</p> <p>0 — V_{BUS} is lower than VA_VBUS_VLD</p> <p>1 — V_{BUS} is higher than VA_VBUS_VLD</p>
0	ID_REG	<p>This bit reflects the logic level of the ID pin.</p> <p>0 — ID pin is LOW (mini-A plug is inserted in the device's mini-AB receptacle)</p> <p>1 — ID pin is HIGH (no plug or mini-B plug is inserted in the device's mini-AB receptacle)</p>

14.3 OtgInterrupt register (R/W: 68H/E8H)

Code (Hex): 68 — read

Code (Hex): E8 — write

Table 26: OtgInterrupt register: bit allocation

Bit	15	14	13	12	11	10	9	8
Symbol	reserved					OTG_TMR_TIMEOUT	B_SE0_SRP	A_SRP_DET
Reset	-	-	-	-	-	0	0	0
Access	-	-	-	-	-	R/W	R/W	R/W
Bit	7	6	5	4	3	2	1	0
Symbol	OTG_RESUME	OTG_SUSPND	RMT_CONN_C	B_SESS_VLD_C	A_SESS_VLD_C	B_SESS_END_C	A_VBUS_VLD_C	ID_REG_C
Reset	0	0	0	0	0	0	0	0
Access	R/W	R/W	R/W	R/W	R/W	R/W	R/W	R/W

Table 27: OtgInterrupt register: bit description

Bit	Symbol	Description
15 to 11	-	reserved
10	OTG_TMR_TIMEOUT	This bit is set whenever the OTG timer attains time-out. Writing logic 1 clears this bit. Writing logic 0 has no effect. 0 — no event 1 — OTG Timer time-out
9	B_SE0_SRP	This bit is set whenever the device detects more than 2 ms of SE0. Writing logic 1 clears this bit. Writing logic 0 has no effect. 0 — no event 1 — bus has been in SE0 for more than 2 ms
8	A_SRP_DET	This bit is used to detect the session request event (SRP) from the remote device. The SRP event can be either V _{BUS} pulsing or data line pulsing. Bit 9 (A_SEL_SRP) of the OtgControl register determines which SRP is selected. Writing logic 1 clears this bit. Writing logic 0 has no effect. 0 — no event 1 — SRP is detected
7	OTG_RESUME	This bit is used to detect a J to K state change when the device is in the 'suspend' state. Writing logic 1 clears this bit. Writing logic 0 has no effect. 0 — no event 1 — a resume signal (J → K) is detected when the bus is in the 'suspend' state

Table 27: OtgInterrupt register: bit description...continued

Bit	Symbol	Description
6	OTG_ SUSPND	This bit is set whenever the OTG port goes into the suspend state (bus idle for > 3 ms). Write logic 1 to clear this bit. Writing logic 0 has no effect. 0 — no event 1 — suspend (bus idle for > 3 ms)
5	RMT_ CONN_C	This bit is set whenever the RMT_CONN bit of the OtgStatus register changes. Write logic 1 to clear this bit. Writing logic 0 has no effect. 0 — no event 1 — RMT_CONN bit has changed
4	B_SESS_ VLD_C	This bit is set whenever the B_SESS_VLD bit of the OtgStatus register changes. Write logic 1 to clear this bit. Writing logic 0 has no effect. 0 — no event 1 — bit B_SESS_VLD has changed
3	A_SESS_ VLD_C	This bit is set whenever the A_SESS_VLD bit of the OtgStatus register changes. Write logic 1 to clear this bit. Writing logic 0 has no effect. 0 — no event 1 — bit A_SESS_VLD has changed
2	B_SESS_ END_C	This bit is set whenever the B_SESS_END bit of the OtgStatus register changes. Write logic 1 to clear this bit. Writing logic 0 has no effect. 0 — no event 1 — bit B_SESS_END has changed
1	A_VBUS_ VLD_C	This bit is set whenever the A_VBUS_VLD bit of the OtgStatus register changes. Write logic 1 to clear this bit. Writing logic 0 has no effect. 0 — no event 1 — bit A_VBUS_VLD has changed
0	ID_REG_C	This bit is set whenever the ID_REG bit of the OtgStatus register changes. This is an indication that the mini-A plug is inserted or removed (that is, the ID pin is shorted to ground or pulled HIGH). Write logic 1 to clear this bit. Writing logic 0 has no effect. 0 — no event 1 — ID_REG bit has changed

14.4 OtgInterruptEnable register (R/W: 69H/E9H)

Code (Hex): 69 — read

Code (Hex): E9 — write

Table 28: OtgInterruptEnable register: bit allocation

Bit	15	14	13	12	11	10	9	8
Symbol	reserved					OTG_TMR_IE	B_SE0_SRP_IE	A_SRP_DET_IE
Reset	-	-	-	-	-	0	0	0
Access	-	-	-	-	-	R/W	R/W	R/W
Bit	7	6	5	4	3	2	1	0
Symbol	OTG_RESUME_IE	OTG_SUSPND_IE	RMT_CONN_IE	B_SESS_VLD_IE	A_SESS_VLD_IE	B_SESS_END_IE	A_VBUS_VLD_IE	ID_REG_IE
Reset	0	0	0	0	0	0	0	0
Access	R/W	R/W	R/W	R/W	R/W	R/W	R/W	R/W

Table 29: OtgInterruptEnable register: bit description

Bit	Symbol	Description
15 to 11	-	reserved
10	OTG_TMR_IE	Logic 1 enables interrupt when the OTG timer attains time-out.
9	B_SE0_SRP_IE	Logic 1 enables interrupt upon detection of the B_SE0_SRP status change.
8	A_SRP_DET_IE	Logic 1 enables interrupt upon detection of the SRP event.
7	OTG_RESUME_IE	Logic 1 enables interrupt upon detection of bus resume (J to K only) event.
6	OTG_SUSPND_IE	Logic 1 enables interrupt upon detection of the bus 'suspend' status change.
5	RMT_CONN_IE	Logic 1 enables interrupt upon detection of the RMT_CONN status change.
4	B_SESS_VLD_IE	Logic 1 enables interrupt upon detection of B_SESS_VLD status change.
3	A_SESS_VLD_IE	Logic 1 enables interrupt upon detection of A_SESS_VLD status change.
2	B_SESS_END_IE	Logic 1 enables interrupt upon detection of B_SESS_END status change.
1	A_VBUS_VLD_IE	Logic 1 enables interrupt upon detection of A_VBUS_VLD status change.
0	ID_REG_IE	Logic 1 enables interrupt upon detection of the ID_REG status change.

14.5 OtgTimer register (R/W: 6AH/EAH)

Code (Hex): 6A — read

Code (Hex): EA — write

Table 30: OtgTimer register: bit allocation

Bit	31	30	29	28	27	26	25	24
Symbol	START_TMR	reserved						
Reset	0	-	-	-	-	-	-	-
Access	R/W	-	-	-	-	-	-	-
Bit	23	22	21	20	19	18	17	16
Symbol	TMR_INIT_VALUE[23:16]							
Reset	0	0	0	0	0	0	0	0
Access	R/W	R/W	R/W	R/W	R/W	R/W	R/W	R/W
Bit	15	14	13	12	11	10	9	8
Symbol	TMR_INIT_VALUE[15:8]							
Reset	0	0	0	0	0	0	0	0
Access	R/W	R/W	R/W	R/W	R/W	R/W	R/W	R/W
Bit	7	6	5	4	3	2	1	0
Symbol	TMR_INIT_VALUE[7:0]							
Reset	0	0	0	0	0	0	0	0
Access	R/W	R/W	R/W	R/W	R/W	R/W	R/W	R/W

Table 31: OtgTimer register: bit description

Bit	Symbol	Description
31	START_TMR	This is the start or stop bit of the OTG timer. Writing logic 1 will cause the OTG timer to load TMR_INIT_VALUE into the counter and start to count. Writing logic 0 will stop the timer. This bit is automatically cleared when the OTG timer is timed out. 0 — stop the timer 1 — start the timer
30 to 24	-	reserved
23 to 0	TMR_INIT_VALUE[23:0]	These bits define the initial value used by the OTG timer. The timer interval is 0.01 ms. Maximum timer allowed is 167.772 s.

14.6 OtgAltTimer register (R/W: 6CH/ECH)

Code (Hex): 6C — read

Code (Hex): EC — write

Table 32: OtgAltTimer register: bit allocation

Bit	31	30	29	28	27	26	25	24
Symbol	START_TMR	reserved						
Reset	0	-	-	-	-	-	-	-
Access	R/W	-	-	-	-	-	-	-
Bit	23	22	21	20	19	18	17	16
Symbol	CURRENT_TIME[23:16]							
Reset	0	0	0	0	0	0	0	0
Access	R	R	R	R	R	R	R	R
Bit	15	14	13	12	11	10	9	8
Symbol	CURRENT_TIME[15:8]							
Reset	0	0	0	0	0	0	0	0
Access	R	R	R	R	R	R	R	R
Bit	7	6	5	4	3	2	1	0
Symbol	CURRENT_TIME[7:0]							
Reset	0	0	0	0	0	0	0	0
Access	R	R	R	R	R	R	R	R

Table 33: OtgAltTimer register: bit description

Bit	Symbol	Description
31	START_TMR	<p>This is the start or stop bit of the OTG timer 2. Writing logic 1 will cause the OTG timer 2 to start counting from 0. When the counter reaches FFFFFFFH, this bit is auto-cleared (the counter is stopped). Writing logic 0 will stop the counting.</p> <p>If any bit of the OtgInterrupt register is set and the corresponding bit of the OtgInterruptEnable register is also set, this bit will be auto-cleared and the current value of the counter will be written to the CURRENT_TIME field.</p> <p>0 — stop the timer 1 — start the timer</p>
30 to 24	-	reserved
23 to 0	CURRENT_TIME	When read, these bits give the current value of the timer. The actual time is CURRENT_TIME × 0.01 ms.

15. HC registers

The HC contains a set of on-chip control registers. These registers can be read or written by the HC Driver (HCD). The Control and Status register set, the Frame Counter register set and the Root Hub register set are grouped under the category of HC operational registers (32 bits). These operational registers are made compatible to Open Host Controller Interface (OpenHCI) operational registers. This enables the OpenHCI HCD to be ported easily to the ISP1362.

Reserved bits may be defined in future releases of this specification. To ensure interoperability, the HCD that does not use a reserved field must not assume that the reserved field contains logic 0. Furthermore, the HCD must always preserve the values of the reserved field. When a R/W register is modified, the HCD must first read the register, modify the desired bits and then write the register with the reserved bits still containing the read value. Alternatively, the HCD can maintain an in-memory copy of previously written values that can be modified and then written to the HC register. When there is a write to set or clear the register, bits written to reserved fields must be logic 0.

As shown in [Table 34](#), the offset locations (the commands for reading registers) of these operational registers (32-bit registers) are similar to those defined in the OHCI specification. The addresses, however, are equal to offset divided by 4.

Table 34: HC Control registers summary

Command (Hex)		Register	Width	Reference	Functionality
Read	Write				
00	N/A	HcRevision	32	Section 15.1.1 on page 71	HC Control and Status registers
01	81	HcControl	32	Section 15.1.2 on page 71	
02	82	HcCommandStatus	32	Section 15.1.3 on page 73	
03	83	HcInterruptStatus	32	Section 15.1.4 on page 74	
04	84	HcInterruptEnable	32	Section 15.1.5 on page 75	
05	85	HcInterruptDisable	32	Section 15.1.6 on page 76	
0D	8D	HcFmInterval	32	Section 15.2.1 on page 78	HC Frame Counter registers
0E	8E	HcFmRemaining	32	Section 15.2.2 on page 79	
0F	8F	HcFmNumber	32	Section 15.2.3 on page 80	
11	91	HcLSThreshold	32	Section 15.2.4 on page 81	HC Root Hub registers
12	92	HcRhDescriptorA	32	Section 15.3.1 on page 82	
13	93	HcRhDescriptorB	32	Section 15.3.2 on page 84	
14	94	HcRhStatus	32	Section 15.3.3 on page 85	
15	95	HcRhPortStatus[1]	32	Section 15.3.4 on page 87	
16	96	HcRhPortStatus[2]	32	Section 15.3.4 on page 87	
20	A0	HcHardwareConfiguration	16	Section 15.4.1 on page 92	HC DMA and Interrupt Control registers
21	A1	HcDMAConfiguration	16	Section 15.4.2 on page 94	
22	A2	HcTransferCounter	16	Section 15.4.3 on page 95	
24	A4	HcµPInterrupt	16	Section 15.4.4 on page 95	
25	A5	HcµPInterruptEnable	16	Section 15.4.5 on page 97	

Table 34: HC Control registers summary...continued

Command (Hex)		Register	Width	Reference	Functionality
Read	Write				
27	N/A	HcChipID	16	Section 15.5.1 on page 98	HC Miscellaneous registers
28	A8	HcScratch	16	Section 15.5.2 on page 98	
N/A	A9	HcSoftwareReset	16	Section 15.5.3 on page 99	
2C	AC	HcBufferStatus	16	Section 15.6.1 on page 99	HC Buffer RAM Control registers
32	B2	HcDirectAddressLength	32	Section 15.6.2 on page 100	
45	C5	HcDirectAddressData	16	Section 15.6.3 on page 101	
30	B0	HcISTLBufferSize	16	Section 15.7.1 on page 101	ISO Transfer registers
40	C0	HcISTL0BufferPort	16	Section 15.7.2 on page 101	
42	C2	HcISTL1BufferPort	16	Section 15.7.3 on page 102	
47	C7	HcISTLToggleRate	16	Section 15.7.4 on page 102	
33	B3	HcINTLBufferSize	16	Section 15.8.1 on page 103	
43	C3	HcINTLBufferPort	16	Section 15.8.2 on page 103	
53	D3	HcINTLBlkSize	16	Section 15.8.3 on page 104	
17	N/A	HcINTLPTDDoneMap	32	Section 15.8.4 on page 104	
18	98	HcINTLPTDSkipMap	32	Section 15.8.5 on page 105	
19	99	HcINTLLastPTD	32	Section 15.8.6 on page 105	
1A	N/A	HcINTLCurrentActivePTD	16	Section 15.8.7 on page 105	
34	B4	HcATLBufferSize	16	Section 15.9.1 on page 106	Aperiodic Transfer registers
44	C4	HcATLBufferPort	16	Section 15.9.2 on page 106	
54	D4	HcATLBlkSize	16	Section 15.9.3 on page 107	
1B	N/A	HcATLPTDDoneMap	32	Section 15.9.4 on page 107	
1C	9C	HcATLPTDSkipMap	32	Section 15.9.5 on page 108	
1D	9D	HcATLLastPTD	32	Section 15.9.6 on page 108	
1E	N/A	HcATLCurrentActivePTD	16	Section 15.9.7 on page 108	
51	D1	HcATLPTDDoneThresholdCount	16	Section 15.9.8 on page 109	
52	D2	HcATLPTDDoneThresholdTimeOut	16	Section 15.9.9 on page 109	

15.1 HC control and status registers

15.1.1 HcRevision register (R: 00H)

The bit allocation of the HcRevision register is given in [Table 35](#).

Code (Hex): 00 — read only

Table 35: HcRevision register: bit allocation

Bit	31	30	29	28	27	26	25	24
Symbol	reserved							
Reset	-	-	-	-	-	-	-	-
Access	-	-	-	-	-	-	-	-
Bit	23	22	21	20	19	18	17	16
Symbol	reserved							
Reset	-	-	-	-	-	-	-	-
Access	-	-	-	-	-	-	-	-
Bit	15	14	13	12	11	10	9	8
Symbol	reserved							
Reset	-	-	-	-	-	-	-	-
Access	-	-	-	-	-	-	-	-
Bit	7	6	5	4	3	2	1	0
Symbol	REV[7:0]							
Reset	0	0	0	1	0	0	0	1
Access	R	R	R	R	R	R	R	R

Table 36: HcRevision register: bit description

Bit	Symbol	Description
31 to 8	-	Reserved
7 to 0	REV[7:0]	Revision: This read-only field contains the Binary-Coded Decimal (BCD) representation of the version of the HCI specification that is implemented by this HC. For example, a value of 11H corresponds to version 1.1. All HC implementations that are compliant with this specification need to have a value of 11H.

15.1.2 HcControl register (R/W: 01H/81H)

The HcControl register defines the operating modes for the HC. The RWE bit is modified only by the HCD. [Table 37](#) shows the bit allocation of the register.

Code (Hex): 01 — read

Code (Hex): 81 — write

Table 37: HcControl register: bit allocation

Bit	31	30	29	28	27	26	25	24
Symbol	reserved							
Reset	-	-	-	-	-	-	-	-
Access	-	-	-	-	-	-	-	-

Bit	23	22	21	20	19	18	17	16
Symbol	reserved							
Reset	-	-	-	-	-	-	-	-
Access	-	-	-	-	-	-	-	-
Bit	15	14	13	12	11	10	9	8
Symbol	reserved					RWE	RWC	reserved
Reset	-	-	-	-	-	0	0	-
Access	-	-	-	-	-	R/W	R/W	-
Bit	7	6	5	4	3	2	1	0
Symbol	HCFS[1:0]		reserved					
Reset	0	0	-	-	-	-	-	-
Access	R/W	R/W	-	-	-	-	-	-

Table 38: HcControl register: bit description

Bit	Symbol	Description
31 to 11	-	reserved
10	RWE	RemoteWakeupEnable: This bit is used by the HCD to enable or disable the remote wake-up feature on detecting upstream resume signaling. When this bit and the ResumeDetected (RD) bit in HcInterruptStatus are set, a remote wake-up is signaled to the host system. Setting this bit has no impact on the generation of hardware interrupt.
9	RWC	RemoteWakeupConnected: This bit indicates whether the HC supports remote wake-up signaling. If remote wake-up is supported and used by the system, it is the responsibility of the system firmware to set this bit during POST. The HC clears the bit upon a hardware reset but does not alter it upon a software reset. Remote wake-up signaling of the host system is host-bus-specific and is not described in this specification.
8	-	reserved
7 to 6	HCFS[1:0]	HostControllerFunctionalState for USB 00 — USBReset 01 — USBResume 10 — USBOperational 11 — USBSuspend A transition to USBOperational from another state causes start-of-frame (SOF) generation to begin 1 ms later. The HCD may determine whether the HC has begun sending SOFs by reading the StartofFrame (SF) field of HcInterruptStatus. This field may be changed by the HC only when it is in the USBSuspend state. The HC may move from the USBSuspend state to the USBResume state after detecting the resume signaling from a downstream port. The HC enters USBReset after a software reset and a hardware reset. The latter also resets the Root Hub and asserts subsequent reset signaling to downstream ports.
5 to 0	-	reserved

15.1.3 HcCommandStatus register (R/W: 02H/82H)

The HcCommandStatus register is a 4-byte register, and the bit allocation is given in Table 39. This register is used by the HC to receive commands issued by the HCD, and it also reflects the current status of the HC. To the HCD, it appears to be a ‘write to set’ register. The HC must ensure that bits written as logic 1 become set in the register while bits written as logic 0 remain unchanged in the register. The HCD may issue multiple distinct commands to the HC without concern for corrupting previously issued commands. The HCD has normal read access to all bits.

The SchedulingOverrunCount (SOC) field indicates the number of frames with which the HC has detected the scheduling overrun error. This occurs when the Periodic list does not complete before the End-of-Frame (EOF). When a scheduling overrun error is detected, the HC increments the counter and sets the SchedulingOverrun (SO) field of the HcInterruptStatus register.

Code (Hex): 02 — read

Code (Hex): 82 — write

Table 39: HcCommandStatus register: bit allocation

Bit	31	30	29	28	27	26	25	24
Symbol	reserved							
Reset	-	-	-	-	-	-	-	-
Access	-	-	-	-	-	-	-	-
Bit	23	22	21	20	19	18	17	16
Symbol	reserved						SOC[1:0]	
Reset	-	-	-	-	-	-	0	0
Access	-	-	-	-	-	-	R	R
Bit	15	14	13	12	11	10	9	8
Symbol	reserved							
Reset	-	-	-	-	-	-	-	-
Access	-	-	-	-	-	-	-	-
Bit	7	6	5	4	3	2	1	0
Symbol	reserved							HCR
Reset	-	-	-	-	-	-	-	0
Access	-	-	-	-	-	-	-	R/W

Table 40: HcCommandStatus register: bit description

Bit	Symbol	Description
31 to 18	-	reserved
17 to 16	SOC[1:0]	SchedulingOverrunCount: This field is incremented on each scheduling overrun error. It is initialized to 00B and wraps around at 11B. It needs to be incremented when a scheduling overrun is detected even if SchedulingOverrun in HcInterruptStatus has already been set. This is used by the HCD to monitor any persistent scheduling problems.
15 to 1	-	reserved
0	HCR	HostControllerReset: This bit is set by the HCD to initiate a software reset of the HC. Regardless of the functional state of the HC, it moves to the USBSuspend state in which most of the operational registers are reset except those stated otherwise. This bit is cleared by the HC on completing the reset operation. The reset operation must be completed within 10 ms. This bit, when set, should not cause a reset to the Root Hub and no subsequent reset signaling should be asserted to its downstream ports.

15.1.4 HcInterruptStatus register (R/W: 03H/83H)

This register (bit allocation: [Table 41](#)) provides the status of the events that cause hardware interrupts. When an event occurs, the HC sets the corresponding bit in this register. When a bit is set, a hardware interrupt is generated if the interrupt is enabled in the HcInterruptEnable register (see [Section 15.1.5](#)) and the MasterInterruptEnable (MIE) bit is set. The HCD may clear specific bits in this register by writing logic 1 to the bit positions to be cleared. The HC, however, does not clear the bit. The HCD may not set any of these bits.

Code (Hex): 03 — read

Code (Hex): 83 — write

Table 41: HcInterruptStatus register: bit allocation

Bit	31	30	29	28	27	26	25	24
Symbol	reserved							
Reset	-	-	-	-	-	-	-	-
Access	-	-	-	-	-	-	-	-
Bit	23	22	21	20	19	18	17	16
Symbol	reserved							
Reset	-	-	-	-	-	-	-	-
Access	-	-	-	-	-	-	-	-
Bit	15	14	13	12	11	10	9	8
Symbol	reserved							
Reset	-	-	-	-	-	-	-	-
Access	-	-	-	-	-	-	-	-
Bit	7	6	5	4	3	2	1	0
Symbol	reserved	RHSC	FNO	UE	RD	SF	reserved	SO
Reset	-	0	0	0	0	0	-	0
Access	-	R/W	R/W	R/W	R/W	R/W	-	R/W

Table 42: HcInterruptStatus register: bit description

Bit	Symbol	Description
31 to 7	-	reserved
6	RHSC	RootHubStatusChange: This bit is set when the content of HcRhStatus or the content of any of HcRhPortStatus[NumberOfDownstreamPort] has changed.
5	FNO	FrameNumberOverflow: This bit is set when the MSB of HcFmNumber (bit 15) changes from logic 0 to 1 or from logic 1 to 0.
4	UE	UnrecoverableError: This bit is set when the HC detects a system error not related to the USB. The HC should not proceed with any processing nor signaling before the system error has been corrected. The HCD clears this bit after the HC has been reset. Philips Host Controller Interface (PHCI): Always set to logic 0.
3	RD	ResumeDetected: This bit is set when the HC detects that a device on the USB is asserting resume signaling. It is the transition from no resume signaling to resume signaling causing this bit to be set. This bit is not set when the HCD sets the USBResume state.
2	SF	StartOfFrame: At the start of each frame, this bit is set by the HC and an SOF is generated.
1	-	reserved
0	SO	SchedulingOverrun: This bit is set when the USB schedules for current frame overruns. A scheduling overrun also causes the SchedulingOverrunCount (SOC) of HcCommandStatus to be incremented.

15.1.5 HcInterruptEnable register (R/W: 04H/84H)

Each enable bit in the HcInterruptEnable register corresponds to an associated interrupt bit in the HcInterruptStatus register. The HcInterruptEnable register is used to control which events generate a hardware interrupt. When the following three conditions occur:

- A bit is set in the HcInterruptStatus register
- The corresponding bit in the HcInterruptEnable register is set
- The MasterInterruptEnable (MIE) bit is set.

Then, a hardware interrupt is requested on the host bus.

Writing logic 1 to a bit in the HcInterruptEnable register sets the corresponding bit, whereas writing logic 0 to a bit in this register leaves the corresponding bit unchanged. On a read, the current value of this register is returned. Table 43 contains the bit allocation of the register.

Code (Hex): 04 — read

Code (Hex): 84 — write

Table 43: HcInterruptEnable register: bit allocation

Bit	31	30	29	28	27	26	25	24
Symbol	MIE	reserved						
Reset	0	-	-	-	-	-	-	-
Access	R/W	-	-	-	-	-	-	-
Bit	23	22	21	20	19	18	17	16
Symbol	reserved							
Reset	-	-	-	-	-	-	-	-
Access	-	-	-	-	-	-	-	-
Bit	15	14	13	12	11	10	9	8
Symbol	reserved							
Reset	-	-	-	-	-	-	-	-
Access	-	-	-	-	-	-	-	-
Bit	7	6	5	4	3	2	1	0
Symbol	reserved	RHSC	FNO	UE	RD	SF	reserved	SO
Reset	-	0	0	0	0	0	-	0
Access	-	R/W	R/W	R/W	R/W	R/W	-	R/W

Table 44: HcInterruptEnable register: bit description

Bit	Symbol	Description
31	MIE	MasterInterruptEnable by the HCD: Logic 0 is ignored by the HC. Logic 1 enables interrupt generation by events specified in other bits of this register.
30 to 7	-	reserved
6	RHSC	0 — ignore 1 — enable interrupt generation because of Root Hub Status Change
5	FNO	0 — ignore 1 — enable interrupt generation because of Frame Number Overflow
4	UE	0 — ignore 1 — enable interrupt generation because of Unrecoverable Error
3	RD	0 — ignore 1 — enable interrupt generation because of Resume Detect
2	SF	0 — ignore 1 — enable interrupt generation because of Start of Frame
1	-	reserved
0	SO	0 — ignore 1 — enable interrupt generation because of Scheduling Overrun

15.1.6 HcInterruptDisable register (R/W: 05H/85H)

Each disable bit in the HcInterruptDisable register corresponds to an associated interrupt bit in the HcInterruptStatus register. The HcInterruptDisable register is coupled with the HcInterruptEnable register. Thus, writing logic 1 to a bit in this register clears the corresponding bit in the HcInterruptEnable register, whereas

writing logic 0 to a bit in this register leaves the corresponding bit in the HcInterruptEnable register unchanged. On a read, the current value of the HcInterruptEnable register is returned. Table 45 provides the bit allocation of the HcInterruptDisable register.

Code (Hex): 05 — read

Code (Hex): 85 — write

Table 45: HcInterruptDisable register: bit allocation

Bit	31	30	29	28	27	26	25	24
Symbol	MIE	reserved						
Reset	0	-	-	-	-	-	-	-
Access	R/W	-	-	-	-	-	-	-
Bit	23	22	21	20	19	18	17	16
Symbol	reserved							
Reset	-	-	-	-	-	-	-	-
Access	-	-	-	-	-	-	-	-
Bit	15	14	13	12	11	10	9	8
Symbol	reserved							
Reset	-	-	-	-	-	-	-	-
Access	-	-	-	-	-	-	-	-
Bit	7	6	5	4	3	2	1	0
Symbol	reserved	RHSC	FNO	UE	RD	SF	reserved	SO
Reset	-	0	0	0	0	0	-	0
Access	-	R/W	R/W	R/W	R/W	R/W	-	R/W

Table 46: HcInterruptDisable register: bit description

Bit	Symbol	Description
31	MIE	Logic 0 is ignored by the HC. Logic 1 disables interrupt generation because of events specified in other bits of this register. This field is set after a hardware or software reset.
30 to 7	-	reserved
6	RHSC	0 — ignore 1 — disable interrupt generation because of Root Hub Status Change
5	FNO	0 — ignore 1 — disable interrupt generation because of Frame Number Overflow
4	UE	0 — ignore 1 — disable interrupt generation because of Unrecoverable Error
3	RD	0 — ignore 1 — disable interrupt generation because of Resume Detect

Table 46: HcInterruptDisable register: bit description...continued

Bit	Symbol	Description
2	SF	0 — ignore 1 — disable interrupt generation because of Start of Frame
1	-	reserved
0	SO	0 — ignore 1 — disable interrupt generation because of Scheduling Overrun

15.2 HC Frame Counter registers

15.2.1 HcFmInterval register (R/W: 0DH/8DH)

The HcFmInterval register (bit allocation: [Table 47](#)) contains a 14-bit value that indicates the bit time interval in a frame between two consecutive SOFs. In addition, it contains a 15-bit value indicating the full-speed maximum packet size that the HC may transmit or receive without causing a scheduling overrun. The HCD may carry out minor adjustments on FrameInterval by writing a new value over the present one at each SOF. This provides the programmability necessary for the HC to synchronize with an external clocking resource and to adjust any unknown local clock offset.

Code (Hex): 0D — read

Code (Hex): 8D — write

Table 47: HcFmInterval register: bit allocation

Bit	31	30	29	28	27	26	25	24
Symbol	FIT		FSMPS[14:8]					
Reset	0	0	0	0	0	0	0	0
Access	R/W	R/W	R/W	R/W	R/W	R/W	R/W	R/W
Bit	23	22	21	20	19	18	17	16
Symbol	FSMPS[7:0]							
Reset	0	0	0	0	0	0	0	0
Access	R/W	R/W	R/W	R/W	R/W	R/W	R/W	R/W
Bit	15	14	13	12	11	10	9	8
Symbol	reserved		FI[13:8]					
Reset	-	-	1	0	1	1	1	0
Access	-	-	R/W	R/W	R/W	R/W	R/W	R/W
Bit	7	6	5	4	3	2	1	0
Symbol	FI[7:0]							
Reset	1	1	0	1	1	1	1	1
Access	R/W	R/W	R/W	R/W	R/W	R/W	R/W	R/W

Table 48: HcFmInterval register: bit description

Bit	Symbol	Description
31	FIT	FrameIntervalToggle: The HCD toggles this bit whenever it loads a new value to FrameInterval.
30 to 16	FSMPS [14:0]	FSLargestDataPacket: Specifies a value that is loaded into the Largest Data Packet Counter at the beginning of each frame. The counter value represents the largest amount of data in bits that can be sent or received by the HC in a single transaction at any given time without causing a scheduling overrun. The field value is calculated by the HCD.
15 to 14	-	reserved
13 to 0	FI[13:0]	FrameInterval: Specifies the interval between two consecutive SOFs in bit times. The nominal value is set to 11999. The HCD must store the current value of this field before resetting the HC. Setting the HostControllerReset (HCR) field of the HcCommandStatus register causes the HC to reset this field to its nominal value. The HCD may choose to restore the stored value upon completing the Reset sequence.

15.2.2 HcFmRemaining register (R/W: 0EH/8EH)

The HcFmRemaining register is a 14-bit down counter showing the bit time remaining in the current frame. The bit allocation is given in [Table 49](#).

Code (Hex): 0E — read

Code (Hex): 8E — write

Table 49: HcFmRemaining register: bit allocation

Bit	31	30	29	28	27	26	25	24
Symbol	FRT	reserved						
Reset	0	-	-	-	-	-	-	-
Access	R/W	-	-	-	-	-	-	-
Bit	23	22	21	20	19	18	17	16
Symbol	reserved							
Reset	-	-	-	-	-	-	-	-
Access	-	-	-	-	-	-	-	-
Bit	15	14	13	12	11	10	9	8
Symbol	reserved		FR[13:8]					
Reset	-	-	0	0	0	0	0	0
Access	-	-	R/W	R/W	R/W	R/W	R/W	R/W
Bit	7	6	5	4	3	2	1	0
Symbol	FR[7:0]							
Reset	0	0	0	0	0	0	0	0
Access	R/W	R/W	R/W	R/W	R/W	R/W	R/W	R/W

Table 50: HcFmRemaining register: bit description

Bit	Symbol	Description
31	FRT	FrameRemainingToggle: This bit is loaded from the FrameIntervalToggle (FIT) field of HcFmInterval whenever FrameRemaining (FR) reaches 0. This bit is used by the HCD for synchronization between FrameInterval (FI) and FrameRemaining (FR).
30 to 14	-	reserved
13 to 0	FR[13:0]	FrameRemaining: This counter is decremented at each bit time. When it reaches zero, it is reset by loading the FrameInterval (FI) value specified in HcFmInterval at the next bit time boundary. When entering the USBOperational state, the HC reloads it with the content of the FrameInterval (FI) part of the HcFmInterval register and uses the updated value from the next SOF.

15.2.3 HcFmNumber register (R/W: 0FH/8FH)

The HcFmNumber register is a 16-bit counter, and the bit allocation is given in [Table 51](#). It provides a timing reference for events happening in the HC and the HCD. The HCD may use the 16-bit value specified in this register and generate a 32-bit frame number without requiring frequent access to the register.

Code (Hex): 0F — read

Code (Hex): 8F — write

Table 51: HcFmNumber register: bit allocation

Bit	31	30	29	28	27	26	25	24
Symbol	reserved							
Reset	-	-	-	-	-	-	-	-
Access	-	-	-	-	-	-	-	-
Bit	23	22	21	20	19	18	17	16
Symbol	reserved							
Reset	-	-	-	-	-	-	-	-
Access	-	-	-	-	-	-	-	-
Bit	15	14	13	12	11	10	9	8
Symbol	FN[15:8]							
Reset	0	0	0	0	0	0	0	0
Access	R	R	R	R	R	R	R	R
Bit	7	6	5	4	3	2	1	0
Symbol	FN[7:0]							
Reset	0	0	0	0	0	0	0	0
Access	R	R	R	R	R	R	R	R

Table 52: HcFmNumber register: bit description

Bit	Symbol	Description
31 to 16	–	reserved
15 to 0	FN[15:0]	FrameNumber: This is incremented when HcFmRemaining is reloaded. It needs to be rolled over to 0H after FFFFH. When the USBOperational state is entered, this is incremented automatically. The content needs to be written to HCCA after the HC has incremented the FrameNumber (FN) at each frame boundary and sent an SOF. However, the content needs to be written before the HC reads the first Endpoint Descriptor (ED) in that frame. After writing to HCCA, the HC needs to set the StartofFrame (SF) in HcInterruptStatus.

15.2.4 HcLSThreshold register (R/W: 11H/91H)

The HcLSThreshold register contains an 11-bit value used by the HC to determine whether to commit to the transfer of a maximum of 8-byte LS packet before the EOF. Neither the HC nor the HCD is allowed to change this value. Table 53 shows the bit allocation of the register.

Code (Hex): 11 — read

Code (Hex): 91 — write

Table 53: HcLSThreshold register: bit allocation

Bit	31	30	29	28	27	26	25	24
Symbol	reserved							
Reset	-	-	-	-	-	-	-	-
Access	-	-	-	-	-	-	-	-
Bit	23	22	21	20	19	18	17	16
Symbol	reserved							
Reset	-	-	-	-	-	-	-	-
Access	-	-	-	-	-	-	-	-
Bit	15	14	13	12	11	10	9	8
Symbol	reserved					LST[10:8]		
Reset	-	-	-	-	-	1	1	0
Access	-	-	-	-	-	R/W	R/W	R/W
Bit	7	6	5	4	3	2	1	0
Symbol	LST[7:0]							
Reset	0	0	1	0	1	0	0	0
Access	R/W	R/W	R/W	R/W	R/W	R/W	R/W	R/W

Table 54: HcLSThreshold register: bit description

Bit	Symbol	Description
31 to 11	–	reserved
10 to 0	LST[10:0]	LSThreshold: Contains a value that is compared to the FrameRemaining (FR) field before a low-speed transaction is initiated. The transaction is started only if FrameRemaining (FR) ≥ this field. The value is calculated by the HCD, which considers transmission and set-up overhead.

15.3 HC Root Hub registers

All registers included in this partition are dedicated to the USB Root Hub, which is an integral part of the HC although it is a functionally a separate entity. The HCD emulates USB Driver (USBD) accesses to the Root Hub by using a register interface. The HCD maintains many USB-defined hub features that are not required to be supported in hardware. For example, the Hub's device, Configuration, Interface and Endpoint Descriptors are maintained only in the HCD, as well as some static fields of the Class Descriptor. The HCD also maintains and decodes the address of the Root Hub device and other trivial operations that are better suited to software than to hardware.

Root Hub registers are developed to maintain the similarity of bit organization and operation to typical hubs found in the system.

Four registers are defined as follows:

- HcRhDescriptorA
- HcRhDescriptorB
- HcRhStatus
- HcRhPortStatus[1:NDP].

Each register is read and written as a DWord. These registers are only written during initialization to correspond with the system implementation. The HcRhDescriptorA and HcRhDescriptorB registers should be implemented such that they are writeable, regardless of the USB states of the HC. HcRhStatus and HcRhPortStatus must be writeable during the USBOperational state.

15.3.1 HcRhDescriptorA register (R/W: 12H/92H)

The HcRhDescriptorA register is the first register of two describing the characteristics of the Root Hub. The bit allocation is given in [Table 55](#).

Code (Hex): 12 — read

Code (Hex): 92 — write

Table 55: HcRhDescriptorA register: bit description

Bit	31	30	29	28	27	26	25	24
Symbol	POTPGT[7:0]							
Reset	1	1	1	1	1	1	1	1
Access	R/W	R/W	R/W	R/W	R/W	R/W	R/W	R/W
Bit	23	22	21	20	19	18	17	16
Symbol	reserved							
Reset	-	-	-	-	-	-	-	-
Access	-	-	-	-	-	-	-	-
Bit	15	14	13	12	11	10	9	8
Symbol	reserved			NOCP	OCPM	DT	NPS	PSM
Reset	-	-	-	0	1	0	0	1
Access	-	-	-	R/W	R/W	R	R/W	R/W

Bit	7	6	5	4	3	2	1	0
Symbol	reserved						NDP[1:0]	
Reset	-	-	-	-	-	-	1	0
Access	-	-	-	-	-	-	R	R

Table 56: HcRhDescriptorA register: bit description

Bit	Symbol	Description
31 to 24	POTPGT [7:0]	PowerOnToPowerGoodTime: This byte specifies the duration HCD has to wait before accessing a powered-on port of the Root Hub. It is implementation-specific (IS). The unit of time is 2 ms. The duration is calculated as POTPGT × 2 ms.
23 to 13	-	reserved
12	NOCP	NoOverCurrentProtection: This bit describes how the overcurrent status for the Root Hub ports are reported. When this bit is cleared, the OverCurrentProtectionMode (OCPM) field specifies global or per-port reporting. 0 — overcurrent status is collectively reported for all downstream ports 1 — no overcurrent reporting supported
11	OCPM	OverCurrentProtectionMode: This bit describes how the overcurrent status for the Root Hub ports are reported. At reset, this field should reflect the same mode as PowerSwitchingMode. This field is valid only if the NoOverCurrentProtection (NOCP) field is cleared. 0 — overcurrent status is reported collectively for all downstream ports 1 — overcurrent status is reported on a per-port basis. On power up, clear this bit and then set it to logic 1
10	DT	DeviceType: This bit specifies that the Root Hub is not a compound device; it is not permitted. This field should always read as 0.
9	NPS	NoPowerSwitching: This bit is used to specify whether power switching is supported or ports are always powered. It is implementation specific. When this bit is cleared, the PowerSwitchingMode (PSM) bit specifies global or per-port switching. 0 — ports are power switched 1 — ports are always powered on when the HC is powered on

Table 56: HcRhDescriptorA register: bit description...continued

Bit	Symbol	Description
8	PSM	PowerSwitchingMode: This bit is used to specify how the power switching of the Root Hub ports is controlled. It is implementation specific. This field is valid only if the NoPowerSwitching (NPS) field is cleared. 0 — all ports are powered at the same time 1 — each port is individually powered. This mode allows port power to be controlled by either the global switch or per-port switching. If the PortPowerControlMask (PPCM) bit is set, the port responds to only port power commands (Set/ClearPortPower). If the port mask is cleared, then the port is controlled only by the global power switch (Set/ClearGlobalPower).
7 to 2	-	reserved
1 to 0	NDP[1:0]	NumberDownstreamPorts: These bits specify the number of downstream ports supported by the Root Hub. It is implementation specific. The maximum number of ports supported is 2.

15.3.2 HcRhDescriptorB register (R/W: 13H/93H)

The HcRhDescriptorB register is the second register of two describing the characteristics of the Root Hub. These fields are written during initialization to correspond with the system implementation. Reset values are implementation specific. Table 57 shows the bit allocation of the register.

Code (Hex): 13 — read

Code (Hex): 93 — write

Table 57: HcRhDescriptorB register: bit allocation

Bit	31	30	29	28	27	26	25	24
Symbol	reserved							
Reset	-	-	-	-	-	-	-	-
Access	-	-	-	-	-	-	-	-
Bit	23	22	21	20	19	18	17	16
Symbol	reserved					PPCM[2:0]		
Reset	-	-	-	-	-	IS		
Access	-	-	-	-	-	R/W	R/W	R/W
Bit	15	14	13	12	11	10	9	8
Symbol	reserved							
Reset	-	-	-	-	-	-	-	-
Access	-	-	-	-	-	-	-	-
Bit	7	6	5	4	3	2	1	0
Symbol	reserved					DR[2:0]		
Reset	-	-	-	-	-	IS		
Access	-	-	-	-	-	R/W	R/W	R/W

Table 58: HcRhDescriptorB register: bit description

Bit	Symbol	Description
31 to 19	-	reserved
18 to 16	PPCM[2:0]	<p>PortPowerControlMask: Each bit indicates whether a port is affected by a global power control command when PowerSwitchingMode is set. When set, the power state of the port is only affected by per-port power control (Set/ClearPortPower). When cleared, the port is controlled by the global power switch (Set/ClearGlobalPower). If the device is configured to global switching mode (PowerSwitchingMode = 0), this field is not valid.</p> <p>Bit 2 — Ganged-power mask on port 2 Bit 1 — Ganged-power mask on port 1 Bit 0 — reserved</p>
15 to 3	-	reserved
2 to 0	DR[2:0]	<p>DeviceRemovable: Each bit is dedicated to a port of the Root Hub. When cleared, the attached device is removable. When set, the attached device is not removable.</p> <p>Bit 2 — Device attached to port 2 Bit 1 — Device attached to port 1 Bit 0 — reserved</p>

15.3.3 HcRhStatus register (R/W: 14H/94H)

The HcRhStatus register is divided into two parts. The lower word of a DWord represents the Hub Status field and the upper word represents the Hub Status Change field. Reserved bits should always be written as logic 0. See Table 59 for bit allocation of the register.

Code (Hex): 14 — read

Code (Hex): 94 — write

Table 59: HcRhStatus register: bit allocation

Bit	31	30	29	28	27	26	25	24
Symbol	CRWE	reserved						
Reset	0	-	-	-	-	-	-	-
Access	W	-	-	-	-	-	-	-
Bit	23	22	21	20	19	18	17	16
Symbol	reserved						CCIC	LPSC
Reset	-	-	-	-	-	-	0	0
Access	-	-	-	-	-	-	R/W	R/W
Bit	15	14	13	12	11	10	9	8
Symbol	DRWE	reserved						
Reset	0	-	-	-	-	-	-	-
Access	R/W	-	-	-	-	-	-	-

Bit	7	6	5	4	3	2	1	0
Symbol	reserved						OCI	LPS
Reset	-	-	-	-	-	-	0	0
Access	-	-	-	-	-	-	R	R/W

Table 60: HcRhStatus register: bit description

Bit	Symbol	Description
31	CRWE	On write— ClearRemoteWakeupEnable : Writing logic 1 clears DeviceRemoveWakeupEnable (DRWE). Writing logic 0 has no effect.
30 to 18	-	reserved
17	CCIC	OverCurrentIndicatorChange : This bit is set by hardware when a change has occurred to the OverCurrentIndicator (OCI) field of this register. The HCD clears this bit by writing logic 1. Writing logic 0 has no effect.
16	LPSC	On read— LocalPowerStatusChange : The Root Hub does not support the local power status feature. Therefore, this bit is always read as logic 0. On write— SetGlobalPower : In the global power mode (PowerSwitchingMode = 0), logic 1 is written to this bit to turn on power to all ports (clear PortPowerStatus). In the per-port power mode, it sets PortPowerStatus only on ports whose PortPowerControlMask bit is not set. Writing logic 0 has no effect.
15	DRWE	On read— DeviceRemoteWakeupEnable : This bit enables the bit ConnectStatusChange as a resume event, causing a state transition from USBSuspend to USBResume and setting the ResumeDetected interrupt. 0 — ConnectStatusChange is not a remote wake-up event 1 — ConnectStatusChange is a remote wake-up event On write— SetRemoteWakeupEnable : Writing logic 1 sets DeviceRemoveWakeupEnable. Writing logic 0 has no effect.
14 to 2	-	reserved
1	OCI	OverCurrentIndicator : This bit reports overcurrent conditions when global reporting is implemented. When set, an overcurrent condition exists. When cleared, all power operations are normal. If per-port overcurrent protection is implemented, this bit is always logic 0.
0	LPS	On read— LocalPowerStatus : The Root Hub does not support the local power status feature. Therefore, this bit is always read as logic 0. On write— ClearGlobalPower : In the global power mode (PowerSwitchingMode = 0), logic 1 is written to this bit to turn off power to all ports (clear PortPowerStatus). In the per-port power mode, it clears PortPowerStatus only on ports whose PortPowerControlMask bit is not set. Writing logic 0 has no effect.

15.3.4 HcRhPortStatus[1:2] register (R/W [1]: 15H/95H; [2]: 16H/96H)

The HcRhPortStatus[1:2] register is used to control and report port events on a per-port basis. NumberDownstreamPorts represents the number of HcRhPortStatus registers that are implemented in hardware. The lower word is used to reflect the port status, whereas the upper word reflects the status change bits. Some status bits are implemented with special write behavior. If a transaction (token through handshake) is in progress when a write to change port status occurs, the resulting port status change must be postponed until the transaction completes. Reserved bits should always be written logic 0. The bit allocation of the HcRhPortStatus[1:2] register is given in Table 61.

Code (Hex): [1] = 15, [2] = 16 — read

Code (Hex): [1] = 95, [2] = 96 — write

Table 61: HcRhPortStatus[1:2] register: bit allocation

Bit	31	30	29	28	27	26	25	24
Symbol	reserved							
Reset	-	-	-	-	-	-	-	-
Access	-	-	-	-	-	-	-	-
Bit	23	22	21	20	19	18	17	16
Symbol	reserved			PRSC	OCIC	PSSC	PESC	CSC
Reset	-	-	-	0	0	0	0	0
Access	-	-	-	R/W	R/W	R/W	R/W	R/W
Bit	15	14	13	12	11	10	9	8
Symbol	reserved						LSDA	PPS
Reset	-	-	-	-	-	-	0	0
Access	-	-	-	-	-	-	R/W	R/W
Bit	7	6	5	4	3	2	1	0
Symbol	reserved			PRS	POCI	PSS	PES	CCS
Reset	-	-	-	0	0	0	0	0
Access	-	-	-	R/W	R/W	R/W	R/W	R/W

Table 62: HcRhPortStatus[1:2] register: bit description

Bit	Symbol	Description
31 to 21	-	reserved
20	PRSC	<p>PortResetStatusChange: This bit is set at the end of the 10 ms port reset signal. The HCD can write logic 1 to clear this bit. Writing logic 0 has no effect.</p> <p>0 — port reset is not complete 1 — port reset is complete</p>
19	OCIC	<p>PortOverCurrentIndicatorChange: This bit is valid only if overcurrent conditions are reported on a per-port basis. This bit is set when the Root Hub changes the PortOverCurrentIndicator (POCI) bit. The HCD can write logic 1 to clear this bit. Writing logic 0 has no effect.</p> <p>0 — no change in PortOverCurrentIndicator (POCI) 1 — PortOverCurrentIndicator (POCI) has changed</p>
18	PSSC	<p>PortSuspendStatusChange: This bit is set when the full resume sequence is complete. This sequence includes the 20 ms resume pulse, LS EOP and 3 ms re-synchronization delay. The HCD can write logic 1 to clear this bit. Writing logic 0 has no effect. This bit is also cleared when ResetStatusChange is set.</p> <p>0 — resume is not completed 1 — resume is completed</p>
17	PESC	<p>PortEnableStatusChange: This bit is set when hardware events cause the PortEnableStatus (PES) bit to be cleared. Changes from the HCD writes do not set this bit. The HCD can write logic 1 to clear this bit. Writing logic 0 has no effect.</p> <p>0 — no change in PortEnableStatus (PES) 1 — change in PortEnableStatus (PES)</p>
16	CSC	<p>ConnectStatusChange: This bit is set whenever a connect or disconnect event occurs. The HCD can write logic 1 to clear this bit. Writing logic 0 has no effect. If CurrentConnectStatus (CCS) is cleared when a SetPortReset, SetPortEnable or SetPortSuspend write occurs, this bit is set to force the driver to re-evaluate the connection status because these writes should not occur if the port is disconnected.</p> <p>0 — no change in CurrentConnectStatus (CCS) 1 — change in CurrentConnectStatus (CCS)</p> <p>Remark: If the DeviceRemovable[NDP] bit is set, this bit is set only after a Root Hub reset to inform the system that the device is attached.</p>
15 to 10	-	reserved

Table 62: HcRhPortStatus[1:2] register: bit description...continued

Bit	Symbol	Description
9	LSDA	<p>On read—LowSpeedDeviceAttached: This bit indicates the speed of the device attached to this port. When set, a low-speed device is attached to this port. When cleared, a full-speed device is attached to this port. This field is valid only when CurrentConnectStatus (CCS) is set.</p> <p>0 — full-speed device attached 1 — low-speed device attached</p> <p>On write—ClearPortPower: The HCD clears the PortPowerStatus (PPS) bit by writing logic 1 to this bit. Writing logic 0 has no effect.</p>
8	PPS	<p>On read—PortPowerStatus: This bit reflects the port power status, regardless of the type of power switching implemented. This bit is cleared if an overcurrent condition is detected. The HCD sets this bit by writing SetPortPower or SetGlobalPower. The HCD clears this bit by writing ClearPortPower or ClearGlobalPower. PowerSwitchingMode (PCM) and PortPowerControlMask[NDP] (PPCM[NDP]) determine which power control switches are enabled. In the global switching mode (PowerSwitchingMode = 0), only the Set/ClearGlobalPower command controls this bit. In the per-port power switching (PowerSwitchingMode = 1), if the PortPowerControlMask[NDP] (PPCM[NDP]) bit for the port is set, only Set/ClearPortPower commands are enabled. If the mask is not set, only Set/ClearGlobalPower commands are enabled. When port power is disabled, CurrentConnectStatus (CCS), PortEnableStatus (PES), PortSuspendStatus (PSS) and PortResetStatus (PRS) should be reset.</p> <p>0 — port power is OFF 1 — port power is ON</p> <p>On write—SetPortPower: The HCD writes logic 1 to set the PortPowerStatus (PPS) bit. Writing logic 0 has no effect.</p> <p>Remark: This bit always reads logic 1 if power switching is not supported.</p>
7 to 5	-	reserved

Table 62: HcRhPortStatus[1:2] register: bit description...continued

Bit	Symbol	Description
4	PRS	<p>On read—PortResetStatus: When this bit is set by a write to SetPortReset, port reset signaling is asserted. When reset is completed, this bit is cleared when PortResetStatusChange (PRSC) is set. This bit cannot be set if CurrentConnectStatus (CCS) is cleared.</p> <p>0 — port reset signal is not active 1 — port reset signal is active</p> <p>On write—SetPortReset: The HCD sets the port reset signaling by writing logic 1 to this bit. Writing logic 0 has no effect. If CurrentConnectStatus (CCS) is cleared, this write does not set PortResetStatus (PRS) but instead sets ConnectStatusChange (CSC). This informs the driver that it attempted to reset a disconnected port.</p>
3	POCI	<p>On read—PortOverCurrentIndicator: This bit is valid only when the Root Hub is configured in such a way that overcurrent conditions are reported on a per-port basis. If per-port overcurrent reporting is not supported, this bit is set to logic 0. If cleared, all power operations are normal for this port. If set, an overcurrent condition exists on this port. This bit always reflects the overcurrent input signal</p> <p>0 — no overcurrent condition 1 — overcurrent condition detected</p> <p>On write—ClearSuspendStatus: The HCD writes logic 1 to initiate a resume. Writing logic 0 has no effect. A resume is initiated only if PortSuspendStatus (PSS) is set.</p>

Table 62: HcRhPortStatus[1:2] register: bit description...continued

Bit	Symbol	Description
2	PSS	<p>On read—PortSuspendStatus: This bit indicates whether the port is suspended or is in the resume sequence. It is set by a SetSuspendState write and cleared when PortSuspendStatusChange (PSSC) is set at the end of the resume interval. This bit cannot be set if CurrentConnectStatus (CCS) is cleared. This bit is also cleared when PortResetStatusChange (PRSC) is set at the end of the port reset or when the HC is placed in the USBResume state. If an upstream resume is in progress, it should propagate to the HC.</p> <p>0 — port is not suspended 1 — port is suspended</p> <p>On write—SetPortSuspend: The HCD sets the PortSuspendStatus (PSS) bit by writing logic 1 to this bit. Writing logic 0 has no effect. If CurrentConnectStatus (CCS) is cleared, this write does not set PortSuspendStatus (PSS); instead it sets ConnectStatusChange (CSC). This informs the driver that it attempted to suspend a disconnected port.</p>
1	PES	<p>On read—PortEnableStatus: This bit indicates whether the port is enabled or disabled. The Root Hub may clear this bit when an overcurrent condition, disconnect event, switched-off power or operational bus error, such as babble, is detected. This change also causes PortEnableStatusChange to be set. The HCD sets this bit by writing SetPortEnable and clears it by writing ClearPortEnable. This bit cannot be set when CurrentConnectStatus (CCS) is cleared. This bit is also set, if it is not already, at the completion of a port reset when ResetStatusChange is set or port suspend when SuspendStatusChange is set.</p> <p>0 — port is disabled 1 — port is enabled</p> <p>On write—SetPortEnable: The HCD sets PortEnableStatus (PES) by writing logic 1. Writing logic 0 has no effect. If CurrentConnectStatus (CCS) is cleared, this write does not set PortEnableStatus (PES), but instead sets ConnectStatusChange (CSC). This informs the driver that it attempted to enable a disconnected port.</p>
0	CCS	<p>On read—CurrentConnectStatus: This bit reflects the current state of the downstream port.</p> <p>0 — no device connected 1 — device connected</p> <p>On write—ClearPortEnable: The HCD writes logic 1 to this bit to clear the PortEnableStatus (PES) bit. Writing logic 0 has no effect. CurrentConnectStatus (CSC) is not affected by any write.</p> <p>Remark: This bit always reads 1B when the attached device is nonremovable (DeviceRemovable[NDP]).</p>

15.4 HC DMA and interrupt control registers

15.4.1 HcHardwareConfiguration register (R/W: 20H/A0H)

The bit allocation of the HcHardwareConfiguration register is given in Table 63.

Code (Hex): 20 — read

Code (Hex): A0 — write

Table 63: HcHardwareConfiguration register: bit allocation

Bit	15	14	13	12	11	10	9	8
Symbol	Disable Suspend_Wakeup	Global Power Down	Connect PullDown_DS2	Connect PullDown_DS1	Suspend ClkNotStop	AnalogOC Enable	OneINT	DACKMode
Reset	0	0	0	0	0	0	0	0
Access	R/W	R/W	R/W	R/W	R/W	R/W	R/W	R/W
Bit	7	6	5	4	3	2	1	0
Symbol	OneDMA	DACKInput Polarity	DREQ Output Polarity	DataBusWidth[1:0]		Interrupt Output Polarity	Interrupt PinTrigger	InterruptPin Enable
Reset	0	0	1	0	1	0	0	0
Access	R/W	R/W	R/W	R/W	R/W	R/W	R/W	R/W

Table 64: HcHardwareConfiguration register: bit description

Bit	Symbol	Description
15	DisableSuspend_Wakeup	This bit when set to logic 1 disables the function of the D_SUSPEND/D_WAKEUP and H_SUSPEND/H_WAKEUP pins. Therefore, these pins will always remain HIGH and pulling them LOW does not wake up the HC and the DC.
14	GlobalPowerDown	Set this bit to logic 1 to reduce power consumption of the OTG ATX in the suspend mode.
13	ConnectPullDown_DS2	0 — disconnect built-in pull-down resistors on H_DM2 and H_DP2 1 — connect built-in pull-down resistors on H_DM2 and H_DP2 for the downstream port 2 Remark: Port 2 is always used as a host port.

Table 64: HcHardwareConfiguration register: bit description...continued

Bit	Symbol	Description
12	ConnectPullDown_DS1	<p>0 — disconnect built-in pull-down resistors on OTG_DM1 and OTG_DP1</p> <p>1 — connect built-in pull-down resistors on OTG_DM1 and OTG_DP1</p> <p>Remark: This bit is effective only when port 1 is configured as the host port (the $\overline{\text{OTGMODE}}$ pin is HIGH, and the ID pin is LOW). When port 1 is configured as the OTG port, (the $\overline{\text{OTGMODE}}$ pin is LOW), the pull-down resistors on OTG_DM1 and OTG_DP1 are controlled by the LOC_PULL_DN_DP and LOC_PULL_DN_DM bits of the OtgControl register.</p>
11	SuspendClkNotStop	<p>0 — clock can be stopped when suspended</p> <p>1 — clock cannot be stopped when suspended</p>
10	AnalogOCEnable	<p>0 — use external OC detection; digital input</p> <p>1 — use on-chip OC detection; analog input</p>
9	OneINT	<p>0 — HC interrupt routed to INT1, DC interrupt routed to INT2</p> <p>1 — HC and DC interrupts routed to INT1 only, INT2 is unused</p>
8	DACKMode	<p>0 — normal operation; $\overline{\text{DACK1}}$ is used with read and write signals; power-up value</p> <p>1 — reserved</p>
7	OneDMA	<p>0 — HC DMA request and acknowledge routed to DREQ1 and $\overline{\text{DACK1}}$, DC DMA request and acknowledge routed to DREQ2 and $\overline{\text{DACK2}}$</p> <p>1 — HC and DC DMA requests and acknowledges routed to DREQ1 and $\overline{\text{DACK1}}$; DREQ2 and $\overline{\text{DACK2}}$ unused</p>
6	DACKInputPolarity	<p>0 — $\overline{\text{DACK1}}$ is active LOW; power-up value</p> <p>1 — $\overline{\text{DACK1}}$ is active HIGH</p>
5	DREQOutputPolarity	<p>0 — DREQ1 is active LOW</p> <p>1 — DREQ1 is active HIGH; power-up value</p>
4 to 3	DataBusWidth[1:0]	<p>01 — microprocessor interface data bus width is 16 bits</p> <p>Others — reserved</p>
2	InterruptOutputPolarity	<p>0 — INT1 interrupt is active LOW; power-up value</p> <p>1 — INT1 interrupt is active HIGH</p>
1	InterruptPinTrigger	<p>0 — INT1 interrupt is level-triggered; power-up value</p> <p>1 — INT1 interrupt is edge-triggered</p>
0	InterruptPinEnable	<p>0 — power-up value</p> <p>1 — global interrupt pin INT1 is enabled; this bit should be used with the HcUpInterruptEnable register to enable pin INT1</p>

15.4.2 HcDMAConfiguration register (R/W: 21H/A1H)

Table 65 contains the bit allocation of the HcDMAConfiguration register.

Code (Hex): 21 — read

Code (Hex): A1 — write

Table 65: HcDMAConfiguration register: bit allocation

Bit	15	14	13	12	11	10	9	8
Symbol	reserved							
Reset	-	-	-	-	-	-	-	-
Access	-	-	-	-	-	-	-	-
Bit	7	6	5	4	3	2	1	0
Symbol	DMACounter Enable	BurstLen[1:0]		DMA Enable	Buffer_Type_Select[2:0]			DMARead WriteSelect
Reset	0	0	0	0	0	0	0	0
Access	R/W	R/W	R/W	R/W	R/W	R/W	R/W	R/W

Table 66: HcDMAConfiguration register: bit description

Bit	Symbol	Description																								
15 to 8	-	reserved																								
7	DMACounterEnable	<p>0 — reserved</p> <p>1 — DMA counter is enabled. Once the counter is enabled, the HCD must initialize the HcTransferCounter register to a non-zero value for DREQ to be raised after the DMAEnable bit is set to HIGH.</p>																								
6 to 5	BurstLen[1:0]	<p>00 — single-cycle burst DMA</p> <p>01 — 4-cycle burst DMA</p> <p>10 — 8-cycle burst DMA</p> <p>11 — reserved</p> <p>I/O bus with 32-bit data path width supports only single and four cycle DMA burst.</p>																								
4	DMAEnable	<p>0 — DMA is disabled</p> <p>1 — DMA is enabled</p> <p>This bit needs to be reset when the DMA transfer is completed.</p>																								
3 to 1	Buffer_Type_Select [2:0]	<table border="1"> <thead> <tr> <th>Bit 3</th> <th>Bit 2</th> <th>Bit 1</th> <th>Buffer Type</th> </tr> </thead> <tbody> <tr> <td>0</td> <td>0</td> <td>0</td> <td>ISTL0 (default)</td> </tr> <tr> <td>0</td> <td>0</td> <td>1</td> <td>ISTL1</td> </tr> <tr> <td>0</td> <td>1</td> <td>0</td> <td>INTL</td> </tr> <tr> <td>0</td> <td>1</td> <td>1</td> <td>ATL</td> </tr> <tr> <td>1</td> <td>X</td> <td>X</td> <td>Direct Addressing</td> </tr> </tbody> </table>	Bit 3	Bit 2	Bit 1	Buffer Type	0	0	0	ISTL0 (default)	0	0	1	ISTL1	0	1	0	INTL	0	1	1	ATL	1	X	X	Direct Addressing
Bit 3	Bit 2	Bit 1	Buffer Type																							
0	0	0	ISTL0 (default)																							
0	0	1	ISTL1																							
0	1	0	INTL																							
0	1	1	ATL																							
1	X	X	Direct Addressing																							
0	DMAReadWriteSelect	<p>0 — read from the buffer memory of the HC</p> <p>1 — write to the buffer memory of the HC</p>																								

15.4.3 HcTransferCounter register (R/W: 22H/A2H)

Regardless of the programmed I/O (PIO) or DMA data transfer modes, this register is used to initialize the number of bytes to be transferred to or from the ISTL, INTL or ATL buffer RAM. For the count value loaded in the register to take effect, the HCD is required to set bit 7 of the HcDMAConfiguration register to HIGH. When the count value has reached, the HC needs to generate an internal EOT signal to set bit 2 of the HcμPInterrupt register, AllEOTInterrupt, and update the HcBufferStatus register. The bit allocation of the HcTransferCounter register is given in [Table 67](#).

Code (Hex): 22 — read

Code (Hex): A2 — write

Table 67: HcTransferCounter register: bit description

Bit	Symbol	Access	Value	Description
15 to 0	CounterValue [15:0]	R/W	0000H	Number of data bytes to be read from or written to the buffer RAM.

15.4.4 HcμPInterrupt register (R/W: 24H/A4H)

All the bits in this register are active at power-on reset. None of the active bits, however, will cause an interrupt on the interrupt pin (INT1) unless they are set by the respective bits in the HcμPInterruptEnable register and bit 0 of the HcHardwareConfiguration register is also set.

After this register (24H–read) is read, the bits that are active will not be reset until logic 1 is written to the bits in this register (A4H–write) to clear it.

The bits in this register are cleared only when you write to this register indicating the bits to be cleared. To clear all the enabled bits in this register, the HCD must write FFH to this register.

The bit allocation of the HcμPInterrupt register is given in [Table 68](#).

Code (Hex): 24 — read

Code (Hex): A4 — write

Table 68: HcμPInterrupt register: bit allocation

Bit	15	14	13	12	11	10	9	8
Symbol	reserved						OTG_IRQ	ATL_IRQ
Reset	-	-	-	-	-	-	0	0
Access	-	-	-	-	-	-	R/W	R/W
Bit	7	6	5	4	3	2	1	0
Symbol	INTL_IRQ	ClkReady	HC Suspended	OPR_Reg	AllEOT Interrupt	ISTL_1_INT	ISTL_0_INT	SOF_INT
Reset	0	0	0	0	0	0	0	0
Access	R/W	R/W	R/W	R/W	R/W	R/W	R/W	R/W

Table 69: Hc μ PInterrupt register: bit description

Bit	Symbol	Description
15 to 10	-	reserved
9	OTG_IRQ	<p>0 — no event</p> <p>1 — The OTG interrupt event needs to read the OtgInterrupt register to get the cause of the interrupt.</p>
8	ATL_IRQ	<p>0 — no event</p> <p>1 — Count value of the HcATLDoneThresholdCount register or the time-out value of the HcATLPTDDoneThresholdTimeOut register has reached. The microprocessor is required to read HcINTLPTDDoneMap to check the PTDs that have completed their transactions.</p>
7	INTL_IRQ	<p>0 — no event</p> <p>1 — The HC has detected the last PTD, and there is at least one interrupt transaction that has received ACK from the device. The microprocessor is required to read HcINTLPTDDoneMap to check the PTDs that have received ACK from the device.</p>
6	ClkReady	<p>0 — no event</p> <p>1 — The HC has awakened from the 'suspend' state, and its internal clock has turned on again.</p>
5	HC Suspended	<p>0 — no event</p> <p>1 — The HC has been suspended and no USB activities are sent from the microprocessor for each ms. The microprocessor can suspend the HC by setting bits 6 and 7 of the HcControl register to logic 1. Once the HC is suspended, no SOF needs to be sent to the devices connected to downstream ports.</p>
4	OPR_Reg	<p>0 — no event</p> <p>1 — An HC operation has caused a hardware interrupt. It is necessary for the HCD to read the HcInterruptStatus register to determine the cause of the interrupt.</p>
3	AllEOT Interrupt	<p>0 — no event</p> <p>1 — Data transfer has been completed by using the PIO transfer or the DMA transfer. This bit is set either when the value of the HcTransferCounter register has reached zero, or the EOT pin of the HC is triggered by an external signal.</p>

Table 69: HcμPInterrupt register: bit description...continued

Bit	Symbol	Description
2	ISTL_1_INT	0 — no event 1 — The transaction of the last PTD stored on the ISTL1 buffer has been completed. The microprocessor is required to read data from the ISTL1 buffer. The HCD must first read the HcBufferStatus register to check the status of the ISTL1 buffer before reading data to the microprocessor.
1	ISTL_0_INT	0 — no event 1 — The transaction of the last PTD stored on the ISTL0 buffer has been completed. The microprocessor is required to read data from the ISTL0 buffer. The HCD must first read the HcBufferStatus register to check the status of the ISTL0 buffer before reading data to the microprocessor.
0	SOF_INT	0 — no event 1 — The HC is in the SOF state and it indicates the start of a new frame. The HCD must first read the HcBufferStatus register to check the status of the ISTL buffer before reading data to the microprocessor. For the microprocessor to perform the DMA transfer of ISO data from or to the ISTL buffer, the HC must first initialize the HcDMAConfiguration register.

15.4.5 HcμPInterruptEnable register (R/W: 25H/A5H)

The bits 9:0 in this register are the same as those in the HcμPInterrupt register. The bits in this register are used together with bit 0 of the HcHardwareConfiguration register to enable or disable the bits in the HcμPInterrupt register.

At power-on, all the bits in this register are masked with logic 0. This means no interrupt request output on the interrupt pin INT1 can be generated. When a bit is set to logic 1, the interrupt for that bit is enabled.

The bit allocation of the register is given in [Table 70](#).

Code (Hex): 25 — read

Code (Hex): A5 — write

Table 70: HcμPInterruptEnable register: bit allocation

Bit	15	14	13	12	11	10	9	8
Symbol	reserved						OTG_IRQ_Interrupt Enable	ATL_IRQ_Interrupt Enable
Reset	-	-	-	-	-	-	0	0
Access	-	-	-	-	-	-	R/W	R/W
Bit	7	6	5	4	3	2	1	0
Symbol	INTL_IRQ_Interrupt Enable	ClkReady	HC Suspended Enable	OPR Interrupt Enable	EOT Interrupt Enable	ISTL_1 Interrupt Enable	ISTL_0 Interrupt Enable	SOF Interrupt Enable
Reset	0	0	0	0	0	0	0	0
Access	R/W	R/W	R/W	R/W	R/W	R/W	R/W	R/W

Table 71: HcμPInterruptEnable register: bit description

Bit	Symbol	Description
15 to 10	-	reserved
9	OTG_IRQ_InterruptEnable	0 — power-up value 1 — enables the OTG_IRQ interrupt
8	ATL_IRQ_InterruptEnable	0 — power-up value 1 — enables the ATL_IRQ interrupt
7	INTL_IRQ_InterruptEnable	0 — power-up value 1 — enables the INT_IRQ interrupt
6	ClkReady	0 — power-up value 1 — enables the ClkReady interrupt
5	HCSuspendedEnable	0 — power-up value 1 — enables the HC suspended interrupt
4	OPRInterruptEnable	0 — power-up value 1 — enables the 32-bit operational register's interrupt
3	EOTInterruptEnable	0 — power-up value 1 — enables the EOT interrupt
2	ISTL_1Interrupt Enable	0 — power-up value 1 — enables the ISTL_1 interrupt
1	ISTL_0Interrupt Enable	0 — power-up value 1 — enables the ISTL_0 interrupt
0	SOFInterrupt Enable	0 — power-up value 1 — enables the SOF interrupt

15.5 HC miscellaneous registers

15.5.1 HcChipID register (R: 27H)

This register contains the ID of the ISP1362. The upper byte identifies the product name (here 36H stands for the ISP1362). The lower byte indicates the revision number of the product including engineering samples. Table 72 contains the bit description of the register.

Code (Hex): 27 — read only

Table 72: HcChipID register: bit description

Bit	Symbol	Access	Value	Description
15 to 0	CHIPID[15:0]	R	3630H	Chip ID of the ISP1362.

15.5.2 HcScratch register (R/W: 28H/A8H)

This register is for the HCD to save and restore values when required. The bit description is given in Table 73.

Code (Hex): 28 — read

Code (Hex): A8 — write

Table 73: HcScratch register: bit description

Bit	Symbol	Access	Value	Description
15 to 0	Scratch[15:0]	R/W	0000H	Scratch register value.

15.5.3 HcSoftwareReset register (W: A9H)

This register provides a means for software reset of the HC. To reset the HC, the HCD must write a reset value of F6H to this register. On receiving this reset value, the HC resets all the HC and OTG registers, except its buffer memory.

Table 74 contains the bit description of the register.

Code (Hex): A9 — write only

Table 74: HcSoftwareReset register: bit description

Bit	Symbol	Access	Value	Description
15 to 0	ResetValue [15:0]	W	0000H	Writing a reset value of F6H causes the HC to reset all the registers except its buffer memory.

15.6 HC buffer RAM control registers

15.6.1 HcBufferStatus register (R/W: 2CH/ACH)

The bit allocation of the HcBufferStatus register is given in Table 75.

Code (Hex): 2C — read

Code (Hex): AC — write

Table 75: HcBufferStatus register: bit allocation

Bit	15	14	13	12	11	10	9	8
Symbol	reserved					PairedPTD PingPong	ISTL1 BufferDone	ISTL0 BufferDone
Reset	-	-	-	-	-	0	0	0
Access	-	-	-	-	-	R	R	R
Bit	7	6	5	4	3	2	1	0
Symbol	reserved	ISTL1_ Active Status	ISTL0_ Active Status	Reset_HW PingPong Reg	ATL_Active	INTL_ Active	ISTL1 BufferFull	ISTL0 BufferFull
Reset	-	0	0	0	0	0	0	0
Access	-	R	R	R/W	R/W	R/W	R/W	R/W

Table 76: HcBufferStatus register: bit description

Bit	Symbol	Description
15 to 11	-	reserved
10	PairedPTDPingPong	0 — Ping of paired PTD in ATL is active. 1 — Pong of paired PTD in ATL is active.
9	ISTL1 BufferDone	0 — The ISTL1 buffer has not yet been read by the HC. 1 — The ISTL1 buffer has been read by the HC.
8	ISTL0 BufferDone	0 — The ISTL0 buffer has not yet been read by the HC. 1 — The ISTL0 buffer has been read by the HC.

Table 76: HcBufferStatus register: bit description...continued

Bit	Symbol	Description
7	-	reserved
6	ISTL1_ActiveStatus	0 — The ISTL1 buffer is not accessed by the slave host. 1 — The ISTL1 buffer is accessed by the slave host.
5	ISTL0_ActiveStatus	0 — The ISTL0 buffer is not accessed by the slave host. 1 — The ISTL0 buffer is accessed by the slave host.
4	Reset_HW PingPong Reg	0 to 1 — resets internal hardware ping pong register to 0 when ATL_Active is 0. The hardware ping pong register can be read from bit 10 of this register. 1 to 0 — has no effect.
3	ATL_Active	0 — The HC does not process the ATL buffer. 1 — The HC processes the ATL buffer.
2	INTL_Active	0 — The HC does not process the INTL buffer. 1 — The HC processes the INTL buffer.
1	ISTL1BufferFull	0 — The HC does not process the ISTL1 buffer. 1 — The HC processes the ISTL1 buffer.
0	ISTL0BufferFull	0 — The HC does not process the ISTL0 buffer. 1 — The HC processes the ISTL0 buffer.

15.6.2 HcDirectAddressLength register (R/W: 32H/B2H)

The HcDirectAddressLength register is used for direct addressing of the ISTL, INTL or ATL buffers. This register specifies the starting address of the buffer and byte count of the data to be addressed. Therefore, it allows the programmer to randomly access the buffer. The bit allocation of the register is given in [Table 77](#).

Code (Hex): 32 — read

Code (Hex): B2 — write

Table 77: HcDirectAddressLength register: bit allocation

Bit	31	30	29	28	27	26	25	24
Symbol	DataByteCount[15:8]							
Reset	0	0	0	0	0	0	0	0
Access	R/W	R/W	R/W	R/W	R/W	R/W	R/W	R/W
Bit	23	22	21	20	19	18	17	16
Symbol	DataByteCount[7:0]							
Reset	0	0	0	0	0	0	0	0
Access	R/W	R/W	R/W	R/W	R/W	R/W	R/W	R/W
Bit	15	14	13	12	11	10	9	8
Symbol	reserved	BufferStartAddress[14:8]						
Reset	0	0	0	0	0	0	0	0
Access	-	R/W	R/W	R/W	R/W	R/W	R/W	R/W

Bit	7	6	5	4	3	2	1	0
Symbol	BufferStartAddress[7:0]							
Reset	0	0	0	0	0	0	0	0
Access	R/W	R/W	R/W	R/W	R/W	R/W	R/W	R/W

Table 78: HcDirectAddressLength register: bit description

Bit	Symbol	Description
31 to 16	DataByteCount [15:0]	Total number of bytes to be accessed.
15	-	reserved
14 to 0	BufferStartAddress[14:0]	The starting address of the buffer for accessing of data.

15.6.3 HcDirectAddressData register (R/W: 45H/C5H)

This is a data port for the HCD to access the ISTL, INTL or ATL buffers under the direct addressing mode. [Table 79](#) contains the bit description of the register.

Code (Hex): 45 — read

Code (Hex): C5 — write

Table 79: HcDirectAddressData register: bit description

Bit	Symbol	Access	Value	Description
15 to 0	DataWord [15:0]	R/W	0000H	The data port for accessing the ISTL, INTL or ATL buffers. The address of the buffer and byte count of the data must be specified in the HcDirectAddressLength register.

15.7 Isochronous (ISO) transfer registers

15.7.1 HcISTLBufferSize register (R/W: 30H/B0H)

This register requires you to allocate the size of the buffer to be used for ISO transactions. The buffer size specified in the register is applied to the ISTL0 and ISTL1 buffers. Therefore, ISTL0 and ISTL1 always have the same buffer size.

[Table 80](#) shows the bit description of the register.

Code (Hex): 30 — read

Code (Hex): B0 — write

Table 80: HcISTLBufferSize register: bit description

Bit	Symbol	Access	Value	Description
15 to 0	ISTLBufferSize[15:0]	R/W	0000H	The size of the buffer to be used for ISO transactions and must be specified in bytes.

15.7.2 HcISTL0BufferPort register (R/W: 40H/C0H)

In addition to the HcDirectAddressData register, the ISP1362 provides this register to act as another data port for accessing the ISTL0 buffer. The starting address for accessing the buffer is always fixed at 0000H. Therefore, random access of the ISTL0 buffer is not allowed. The bit description of the register is given in [Table 81](#).

Code (Hex): 40 — read

Code (Hex): C0 — write

Table 81: HcISTL0BufferPort register: bit description

Bit	Symbol	Access	Value	Description
15 to 0	DataWord [15:0]	R/W	0000H	The data in the ISTL0 buffer to be accessed through this data port.

The HCD is first required to initialize the HcTransferCounter register with the byte count to be transferred and check the HcBufferStatus register. The HCD then sends the command (40H for reading from the ISTL0 buffer, and C0H for writing to the ISTL0 buffer) to the HC through the I/O port of the microprocessor. After the command is sent, the HCD starts reading data from the ISTL0 buffer or writing data to the ISTL0 buffer. While the HCD is accessing the buffer, the buffer pointer of ISTL0 also increases automatically. When the pointer has reached the initialized byte count of the HcTransferCounter register, the HC sets the AllEOTInterrupt bit of the HcPIInterrupt register to logic 1 and updates the HcBufferStatus register.

15.7.3 HcISTL1BufferPort register (R/W: 42H/C2H)

In addition to the HcDirectAddressData register, the ISP1362 provides this register to act as another data port for accessing the ISTL1 buffer. The starting address for accessing the buffer is always fixed at 0000H. Therefore, random access of the ISTL1 buffer is not allowed. The bit description of the register is given in [Table 82](#).

Code (Hex): 42 — read

Code (Hex): C2 — write

Table 82: HcISTL1BufferPort register: bit description

Bit	Symbol	Access	Value	Description
15 to 0	DataWord [15:0]	R/W	0000H	The data in the ISTL1 buffer to be accessed through this data port.

The HCD is first required to initialize the HcTransferCounter register with the byte count to be transferred and check the HcBufferStatus register. The HCD then sends the command (42H for reading from the ISTL1 buffer, and C2H for writing to the ISTL1 buffer) to the HC through the I/O port of the microprocessor. After the command is sent, the HCD starts reading data from the ISTL1 buffer or writing data to the ISTL1 buffer. While the HCD is accessing the buffer, the buffer pointer of ISTL1 also increases automatically. When the pointer has reached the initialized byte count of the HcTransferCounter register, the HC sets the AllEOTInterrupt bit in the HcPIInterrupt register to logic 1 and updates the HcBufferStatus register.

15.7.4 HcISTLToggleRate register (R/W: 47H/C7H)

The rate of toggling between ISTL0 and ISTL1 is programmable. The HcISTLToggleRate register is provided for programming the required toggle rate in the range of 0 ms to 15 ms at intervals of 1 ms. The bit allocation of the register is shown in [Table 83](#).

Code (Hex): 47 — read

Code (Hex): C7 — write

Table 83: HcISTLToggleRate register: bit allocation

Bit	15	14	13	12	11	10	9	8
Symbol	reserved							
Reset	-	-	-	-	-	-	-	-
Access	-	-	-	-	-	-	-	-
Bit	7	6	5	4	3	2	1	0
Symbol	reserved				ISTLToggleRate[3:0]			
Reset	-	-	-	-	0	0	0	0
Access	-	-	-	-	R/W	R/W	R/W	R/W

Table 84: HcISTLToggleRate register: bit description

Bit	Symbol	Description
15 to 4	-	reserved
3 to 0	ISTLToggleRate[3:0]	The required toggle rate in ms.

15.8 Interrupt transfer registers

15.8.1 HcINTLBufferSize register (R/W: 33H/B3H)

This register allows you to allocate the size of the INTL buffer to be used for interrupt transactions. The default value of the buffer size is set to 128 bytes, and the maximum allowable allocated size is 4096 bytes. [Table 85](#) shows the bit description of the register.

Code (Hex): 33 — read

Code (Hex): B3 — write

Table 85: HcINTLBufferSize register: bit description

Bit	Symbol	Access	Value	Description
15 to 0	INTLBufferSize[15:0]	R/W	0080H	The size of the buffer to be used for interrupt transactions and must be specified in bytes.

15.8.2 HcINTLBufferPort register (R/W: 43H/C3H)

In addition to the HcDirectAddressData register, the ISP1362 provides this register to act as another data port for accessing the INTL buffer. The starting address for accessing the buffer is always fixed at 0000H. Therefore, random access of the INTL buffer is not allowed. The bit description of the HcINTLBufferPort register is given in [Table 86](#).

Code (Hex): 43 — read

Code (Hex): C3 — write

Table 86: HcINTLBufferPort register: bit description

Bit	Symbol	Access	Value	Description
15 to 0	DataWord [15:0]	R/W	0000H	The data in the INTL buffer to be accessed through this data port.

The HCD is first required to initialize the HcTransferCounter register with the byte count to be transferred and check the HcBufferStatus register. The HCD then sends the command (43H for reading of the INTL buffer, and C3H for writing to the INTL buffer) to the HC through the I/O port of the microprocessor. After the command is sent, the HCD starts reading data from the INTL buffer or writing data to the INTL buffer. While the HCD is accessing the buffer, the buffer pointer of INTL also increases automatically. When the pointer has reached the initialized byte count of the HcTransferCounter register, the HC sets the AllEOTInterrupt bit of the HcUpInterrupt register to logic 1 and updates the HcBufferStatus register.

15.8.3 HcINTLBlkSize register (R/W: 53H/D3H)

The ISP1362 requires the INTL buffer to be partitioned into several equal sized blocks so that the HC can skip the current PTD and proceed to process the next PTD easily. The block size of the INTL buffer is required to be specified in this register and must be a multiple of 8 bytes. The default value of the block size is 64 bytes, and the maximum allowable block size is 1024 bytes. Table 87 shows the bit allocation of the register.

Code (Hex): 53 — read

Code (Hex): D3 — write

Table 87: HcINTLBlkSize register: bit allocation

Bit	15	14	13	12	11	10	9	8
Symbol	reserved						BlockSize[9:8]	
Reset	-	-	-	-	-	-	0	0
Access	-	-	-	-	-	-	R/W	R/W
Bit	7	6	5	4	3	2	1	0
Symbol	BlockSize[7:0]							
Reset	0	0	0	0	0	0	0	0
Access	R/W	R/W	R/W	R/W	R/W	R/W	R/W	R/W

Table 88: HcINTLBlkSize register: bit description

Bit	Symbol	Description
15 to 10	-	reserved
9 to 0	BlockSize[9:0]	The block size of the INTL buffer.

15.8.4 HcINTLPTDDoneMap register (R: 17H)

This is a 32-bit register, and the bit description is given in Table 89. Every bit of the register represents the processing status of a PTD. Bit 0 of the register represents the first PTD stored in the INTL buffer, bit 1 represents the second PTD stored in the buffer, and so on. The register is updated once every ms by the HC and is cleared upon read by the HCD. Bits that are set representing its corresponding PTDs are processed by the HC and the ACK token is received from the device.

Code (Hex): 17 — read only

Table 89: HcINTLPTDDoneMap register: bit description

Bit	Symbol	Access	Value	Description
31 to 0	PTDDone Bits[31:0]	R	0000H	<p>0 — The PTD stored in the INTL buffer has not been successfully processed by the HC.</p> <p>1 — The PTD stored in the INTL buffer has been successfully processed by the HC.</p>

15.8.5 HcINTLPTDSkipMap register (R/W: 18H/98H)

This is a 32-bit register, and the bit description is given in [Table 90](#). Bit 0 of the register represents the first PTD stored in the INTL buffer, bit 1 represents the second PTD stored in the buffer, and so on. When a bit is set by the HCD, the corresponding PTD is skipped and is not processed by the HC. The HC processes the skipped PTD if the HCD has reset its corresponding skipped bit to logic 0. Clearing the corresponding bit in the HcINTLPTDSkipMap register when there is no valid data in the block will cause unpredictable behavior of the HC.

Code (Hex): 18 — read

Code (Hex): 98 — write

Table 90: HcINTLPTDSkipMap register: bit description

Bit	Symbol	Access	Value	Description
31 to 0	SkipBits [31:0]	R/W	0000H	<p>0 — The HC processes the PTD.</p> <p>1 — The HC skips processing the PTD.</p>

15.8.6 HcINTLLastPTD register (R/W: 19H/99H)

This is a 32-bit register, and [Table 91](#) shows its bit description. Bit 0 of the register represents the first PTD stored in the INTL buffer, bit 1 represents the second PTD stored in the buffer, and so on. The bit that is set to logic 1 by the HCD is used as an indication to the HC that its corresponding PTD is the last PTD stored in the INTL buffer. When the processing of the last PTD is complete, the HC proceeds to process ATL transactions.

Code (Hex): 19 — read

Code (Hex): 99 — write

Table 91: HcINTLLastPTD register: bit description

Bit	Symbol	Access	Value	Description
31 to 0	LastPTD Bits[31:0]	R/W	0000H	<p>0 — The PTD is not the last PTD stored in the buffer.</p> <p>1 — The PTD is the last PTD stored in the buffer.</p>

15.8.7 HcINTLCurrentActivePTD register (R: 1AH)

This register indicates which PTD stored in the INTL buffer is currently active and is updated by the HC. The HCD can use it as a buffer pointer to decide which PTD locations are currently free for filling in new PTDs to the buffer. This indication is to prevent the HCD from accidentally writing into the currently active PTD buffer location. [Table 92](#) shows the bit allocation of the register.

Code (Hex): 1A — read only

Table 92: HcINTLCurrentActivePTD register: bit allocation

Bit	15	14	13	12	11	10	9	8
Symbol	reserved							
Reset	-	-	-	-	-	-	-	-
Access	-	-	-	-	-	-	-	-
Bit	7	6	5	4	3	2	1	0
Symbol	reserved			ActivePTD[4:0]				
Reset	-	-	-	0	0	0	0	0
Access	-	-	-	R	R	R	R	R

Table 93: HcINTLCurrentActivePTD register: bit description

Bit	Symbol	Description
15 to 5	-	reserved
4 to 0	ActivePTD[4:0]	This 5-bit number represents the PTD that is currently active.

15.9 Control and bulk transfer (aperiodic transfer) registers

15.9.1 HcATLBufferSize register (R/W: 34H/B4H)

This register allows you to allocate the size of the ATL buffer to be used for aperiodic transactions. The default value of the buffer size is set to 512 bytes, and the maximum allowable allocated size is 4096 bytes. The bit description of the register is given in [Table 94](#).

Code (Hex): 34 — read

Code (Hex): B4 — write

Table 94: HcATLBufferSize register: bit description

Bit	Symbol	Access	Value	Description
15 to 0	ATLBufferSize[15:0]	R/W	0200H	The size of the buffer to be used for aperiodic transactions and must be specified in bytes.

15.9.2 HcATLBufferPort register (R/W: 44H/C4H)

In addition to the HcDirectAddressData register, the ISP1362 provides this register to act as another data port for accessing the ATL buffer. The starting address for accessing the buffer is always fixed at 0000H. Therefore, random access of the ATL buffer is not allowed. The bit description of the HcATLBufferPort register is given in [Table 95](#).

Code (Hex): 44 — read

Code (Hex): C4 — write

Table 95: HcATLBufferPort register: bit description

Bit	Symbol	Access	Value	Description
15 to 0	DataWord [15:0]	R/W	0000H	The data of the ATL buffer to be accessed through this data port.

The HCD is first required to initialize the HcTransferCounter register with the byte count to be transferred and check the HcBufferStatus register. The HCD then sends the command (44H for reading from the ATL buffer, and C4H for writing to the ATL buffer) to the HC through the I/O port of the microprocessor. After the command is sent, the HCD starts reading data from the ATL buffer or writing data to the ATL buffer. While the HCD is accessing the buffer, the buffer pointer of ATL also increases automatically. When the pointer has reached the initialized byte count of the HcTransferCounter register, the HC sets the AllEOTInterrupt bit of the HcPIInterrupt register to logic 1 and updates the HcBufferStatus register.

15.9.3 HcATLBlkSize register (R/W: 54H/D4H)

The ISP1362 partitions the ATL buffer into several equal sized blocks so that the HC can skip the current PTD and proceed to process the next PTD easily. The block size of the ATL buffer must be specified in this register and must be a multiple of 8 bytes. The bit allocation of the HcATLBlkSize register is given in Table 96.

Code (Hex): 54 — read

Code (Hex): D4 — write

Table 96: HcATLBlkSize register: bit allocation

Bit	15	14	13	12	11	10	9	8
Symbol	reserved						BlockSize[9:8]	
Reset	-	-	-	-	-	-	0	0
Access	-	-	-	-	-	-	R/W	R/W
Bit	7	6	5	4	3	2	1	0
Symbol	BlockSize[7:0]							
Reset	0	0	0	0	0	0	0	0
Access	R/W	R/W	R/W	R/W	R/W	R/W	R/W	R/W

Table 97: HcATLBlkSize register: bit description

Bit	Symbol	Description
15 to 10	-	reserved
9 to 0	BlockSize[9:0]	The block size of the ATL buffer.

15.9.4 HcATLPTDDoneMap register (R: 1BH)

This is a 32-bit register. The bit description of the register is given in Table 98. Every bit of the register represents the processing status of a PTD. Bit 0 of the register represents the first PTD stored in the ATL buffer, bit 1 represents the second PTD stored in the buffer, and so on. The register is immediately updated after the completion of each ATL PTD processing. It is cleared upon reading by the HCD. Bits that are set representing its corresponding PTDs have been processed by the HC and ACK token has been received from the device.

Code (Hex): 1B — read only

Table 98: HcATLPTDDoneMap register: bit description

Bit	Symbol	Access	Value	Description
31 to 0	PTDDone Bits[31:0]	R	0000H	0 — The PTD stored in the ATL buffer was not successfully processed by the HC. 1 — The PTD stored in the ATL buffer was successfully processed by the HC.

15.9.5 HcATLPTDSkipMap register (R/W: 1CH/9CH)

This is a 32-bit register, and the bit description is given in [Table 99](#). Bit 0 of the register represents the first PTD stored in the ATL buffer, bit 1 represents the second PTD stored in the buffer, and so on. When the bit is set by the HCD, the corresponding PTD is skipped and is not processed by the HC. The HC processes the skipped PTD only if the HCD has reset its corresponding skipped bit to logic 0. Clearing the corresponding bit in the HcATLPTDSkipMap register when there is no valid data in the block will cause unpredictable behavior of the HC.

Code (Hex): 1C — read

Code (Hex): 9C — write

Table 99: HcATLPTDSkipMap register: bit description

Bit	Symbol	Access	Value	Description
31 to 0	SkipBits [31:0]	R/W	0000H	0 — The HC processes the PTD. 1 — The HC skips processing the PTD.

15.9.6 HcATLLastPTD register (R/W: 1DH/9DH)

This is a 32-bit register. [Table 100](#) gives the bit description of the register. Bit 0 of the register represents the first PTD stored in the ATL buffer, bit 1 represents the second PTD stored in the buffer, and so on. The bit that is set to logic 1 by the HCD is used as an indication to the HC that its corresponding PTD is the last PTD stored in the ATL buffer. When the processing of the last PTD is complete, the HC loops back to process the first PTD stored in the buffer.

Code (Hex): 1D — read

Code (Hex): 9D — write

Table 100: HcATLLastPTD register: bit description

Bit	Symbol	Access	Value	Description
31 to 0	LastPTD Bits[31:0]	R/W	0000H	0 — The PTD is not the last PTD stored in the buffer. 1 — The PTD is the last PTD stored in the buffer.

15.9.7 HcATLCurrentActivePTD register (R: 1EH)

This register indicates which PTD stored in the ATL buffer is currently active and is updated by the HC. The HCD can use it as a buffer pointer to decide which PTD locations are currently free for filling in new PTDs to the buffer. This indication helps to prevent the HCD from accidentally writing into the currently active PTD buffer location. [Table 101](#) shows the bit allocation of the register.

Code (Hex): 1E — read only

Table 101: HcATLCurrentActivePTD register: bit allocation

Bit	15	14	13	12	11	10	9	8
Symbol	reserved							
Reset	-	-	-	-	-	-	-	-
Access	-	-	-	-	-	-	-	-
Bit	7	6	5	4	3	2	1	0
Symbol	reserved			ActivePTD[4:0]				
Reset	-	-	-	0	0	0	0	0
Access	-	-	-	R	R	R	R	R

Table 102: HcATLCurrentActivePTD register: bit description

Bit	Symbol	Description
15 to 5	-	reserved
4 to 0	ActivePTD[4:0]	This 5-bit number represents the PTD that is currently active.

15.9.8 HcATLPTDDoneThresholdCount register (R/W: 51H/D1H)

This register specifies the number of ATL PTD done required to trigger an ATL PTDDoneCount. If set to 0x08, the HC would trigger the ATL interrupt (in the HcμPInterrupt register) once for every 8 ATL PTD done. Table 103 shows the bit allocation of the register.

Remark: Do not write 0x0000 to this register.

Code (Hex): 51 — read

Code (Hex): D1 — write

Table 103: HcATLPTDDoneThresholdCount register: bit allocation

Bit	15	14	13	12	11	10	9	8
Symbol	reserved							
Reset	-	-	-	-	-	-	-	-
Access	-	-	-	-	-	-	-	-
Bit	7	6	5	4	3	2	1	0
Symbol	reserved			PTDDoneCount[4:0]				
Reset	-	-	-	0	0	0	0	1
Access	-	-	-	R/W	R/W	R/W	R/W	R/W

Table 104: HcATLPTDDoneThresholdCount register: bit description

Bit	Symbol	Description
15 to 5	-	reserved
4 to 0	PTDDoneCount[4:0]	Number of PTDs processed by the HC.

15.9.9 HcATLPTDDoneThresholdTimeOut register (R/W: 52H/D2H)

This register indicates the number of ms from the last time when the ATL interrupt (in the HcμPInterrupt register) was set, of which, if the number of ATL PTDDone is still less than HcATLPTDDoneThresholdCount, the HC would trigger an ATL interrupt (in

the HcPIInterrupt register) to indicate a time-out situation, provided HcATLPTDDoneMap is currently 0x0000 0000. Table 105 shows the bit allocation of the HcATLPTDDone register.

Remark: If the time-out indication is not required by software, or there is no active PTD in the ATL buffer, write 0x0000 to this register.

Code (Hex): 52 — read

Code (Hex): D2 — write

Table 105: HcATLPTDDoneThresholdTimeOut register: bit allocation

Bit	15	14	13	12	11	10	9	8
Symbol	reserved							
Reset	-	-	-	-	-	-	-	-
Access	-	-	-	-	-	-	-	-
Bit	7	6	5	4	3	2	1	0
Symbol	PTDDoneTimeOut[7:0]							
Reset	0	0	0	0	0	0	0	1
Access	R/W	R/W	R/W	R/W	R/W	R/W	R/W	R/W

Table 106: HcATLPTDDoneThresholdTimeOut register: bit description

Bit	Symbol	Description
15 to 8	-	reserved
7 to 0	PTDDoneTimeOut[7:0]	Maximum allowable time in ms for the HC to retry a transaction with NAK returned.

16. Device Controller (DC) registers

The functions and registers of the DC are accessed using commands, which consist of a command code followed by optional data bytes (read or write action). An overview of the available commands and registers is given in Table 107.

A complete access consists of two phases:

- Command phase:** when address pin A0 = HIGH, the DC interprets the data on the lower byte of the bus (bits D7 to D0) as a command code. Commands without a data phase are immediately executed.
- Data phase (optional):** when address pin A0 = LOW, the DC transfers the data on the bus to or from a register or endpoint buffer memory. In case of multi-byte registers, the least significant byte or word are accessed first.

The following applies to a register or buffer memory access in the 16-bit bus mode:

- The upper byte (bits D15 to D8) in the command phase or the undefined byte in the data phase are ignored.
- The access of registers is word-aligned: byte access is not allowed.

- If the packet length is odd, the upper byte of the last word in an IN endpoint buffer is **not** transmitted to the host. When reading from an OUT endpoint buffer, the upper byte of the last word must be ignored by the firmware. The packet length is stored in the first two bytes of the endpoint buffer.

Table 107: DC command and register summary

Name	Destination	Code (Hex)	Transaction ^[1]
Initialization commands			
Write Control OUT Configuration	DcEndpointConfiguration register endpoint 0 OUT	20	write 1 byte ^[2]
Write Control IN Configuration	DcEndpointConfiguration register endpoint 0 IN	21	write 1 byte ^[2]
Write Endpoint n Configuration (n = 1 to 14)	DcEndpointConfiguration register endpoint 1 to 14	22 to 2F	write 1 byte ^[2]
Read Control OUT Configuration	DcEndpointConfiguration register endpoint 0 OUT	30	read 1 byte ^[2]
Read Control IN Configuration	DcEndpointConfiguration register endpoint 0 IN	31	read 1 byte ^[2]
Read Endpoint n Configuration (n = 1 to 14)	DcEndpointConfiguration register endpoint 1 to 14	32 to 3F	read 1 byte ^[2]
Write or read Device Address	DcAddress register	B6/B7	write or read 1 byte ^[2]
Write or read Mode register	DcMode register	B8/B9	write or read 1 byte ^[2]
Write or read Hardware Configuration	DcHardwareConfiguration register	BA/BB	write or read 2 bytes
Write or read DcInterruptEnable register	DcInterruptEnable register	C2/C3	write or read 4 bytes
Write or read DMA Configuration	DcDMAConfiguration register	F0/F1	write or read 2 bytes
Write or read DMA Counter	DcDMACounter register	F2/F3	write or read 2 bytes
Reset Device	resets all registers	F6	-
Data flow commands			
Write Control OUT Buffer	illegal: endpoint is read-only	(00)	-
Write Control IN Buffer	buffer memory endpoint 0 IN	01	N ≤ 64 bytes
Write Endpoint n Buffer (n = 1 to 14)	buffer memory endpoint 1 to 14 (IN endpoints only)	02 to 0F	isochronous: N ≤ 1023 bytes interrupt/bulk: N ≤ 64 bytes
Read Control OUT Buffer	buffer memory endpoint 0 OUT	10	N ≤ 64 bytes
Read Control IN Buffer	illegal: endpoint is write-only	(11)	-
Read Endpoint n Buffer (n = 1 to 14)	buffer memory endpoint 1 to 14 (OUT endpoints only)	12 to 1F	isochronous: N ≤ 1023 bytes ^[4] interrupt/bulk: N ≤ 64 bytes
Stall Control OUT Endpoint	Endpoint 0 OUT	40	-
Stall Control IN Endpoint	Endpoint 0 IN	41	-
Stall Endpoint n (n = 1 to 14)	Endpoint 1 to 14	42 to 4F	-
Read Control OUT Status	DcEndpointStatus register endpoint 0 OUT	50	read 1 byte ^[2]
Read Control IN Status	DcEndpointStatus register endpoint 0 IN	51	read 1 byte ^[2]

Table 107: DC command and register summary...continued

Name	Destination	Code (Hex)	Transaction ^[1]
Read Endpoint n Status (n = 1 to 14)	DcEndpointStatus register n endpoint 1 to 14	52 to 5F	read 1 byte ^[2]
Validate Control OUT Buffer	illegal: IN endpoints only ^[3]	(60)	-
Validate Control IN Buffer	buffer memory endpoint 0 IN ^[3]	61	-
Validate Endpoint n Buffer (n = 1 to 14)	buffer memory endpoint 1 to 14 (IN endpoints only) ^[3]	62 to 6F	-
Clear Control OUT Buffer	buffer memory endpoint 0 OUT	70	-
Clear Control IN Buffer	illegal ^[5]	(71)	-
Clear Endpoint n Buffer (n = 1 to 14)	buffer memory endpoint 1 to 14 (OUT endpoints only) ^[5]	72 to 7F	-
Uninstall Control OUT Endpoint	Endpoint 0 OUT	80	-
Uninstall Control IN Endpoint	Endpoint 0 IN	81	-
Uninstall Endpoint n (n = 1 to 14)	Endpoint 1 to 14	82 to 8F	-
Check Control OUT Status ^[6]	DcEndpointStatusImage register endpoint 0 OUT	D0	read 1 byte ^[2]
Check Control IN Status ^[6]	DcEndpointStatusImage register endpoint 0 IN	D1	read 1 byte ^[2]
Check Endpoint n Status (n = 1 to 14) ^[6]	DcEndpointStatusImage register n endpoint 1 to 14	D2 to DF	read 1 byte ^[2]
Acknowledge Set-up	Endpoint 0 IN and OUT	F4	-
General commands			
Read Control OUT Error Code	DcErrorCode register endpoint 0 OUT	A0	read 1 byte ^[2]
Read Control IN Error Code	DcErrorCode register endpoint 0 IN	A1	read 1 byte ^[2]
Read Endpoint n Error Code (n = 1 to 14)	DcErrorCode register endpoint 1 to 14	A2 to AF	read 1 byte ^[2]
Unlock Device	all registers with write access	B0	write 2 bytes
Write or read DcScratch register	DcScratch register	B2/B3	write or read 2 bytes
Read Frame Number	DcFrameNumber register	B4	read 1 or 2 bytes
Read Chip ID	DcChipID register	B5	read 2 bytes
Read DcInterrupt register	DcInterrupt register	C0	read 4 bytes

[1] With N representing the number of bytes, the number of words for 16-bit bus width is: (N + 1) divided by 2.

[2] When accessing an 8-bit register in the 16-bit mode, the upper byte is invalid.

[3] Validating an OUT endpoint buffer causes unpredictable behavior of the DC.

[4] During the isochronous transfer in the 16-bit mode, because $N \leq 1023$, the firmware must manage the upper byte.

[5] Clearing an IN endpoint buffer causes unpredictable behavior of the DC.

[6] Reads a copy of the Status register: executing this command does not clear any status bits or interrupt bits.

16.1 Initialization commands

Initialization commands are used during the enumeration process of the USB network. These commands are used to configure and enable the embedded endpoints. They also serve to set the USB assigned address of the DC and to perform a device reset.

16.1.1 DcEndpointConfiguration register (R/W: 30H–3FH/20H–2FH)

This command is used to access the DcEndpointConfiguration register (ECR) of the target endpoint. It defines the endpoint type (isochronous or bulk/interrupt), direction (OUT/IN), buffer memory size and buffering scheme. It also enables the endpoint buffer memory. The register bit allocation is shown in [Table 108](#). A bus reset will disable all endpoints.

The allocation of buffer memory only takes place after **all** 16 endpoints have been configured in sequence (from endpoint 0 OUT to endpoint 14). Although the control endpoints have fixed configurations, they must be included in the initialization sequence and must be configured with their default values (see [Table 14](#)). Automatic buffer memory allocation starts when endpoint 14 has been configured.

Remark: If any change is made to an endpoint configuration that affects the allocated memory (size, enable/disable), the buffer memory contents of **all** endpoints becomes invalid. Therefore, all valid data must be removed from enabled endpoints before changing the configuration.

Code (Hex): 20 to 2F — write (control OUT, control IN, endpoint 1 to 14)

Code (Hex): 30 to 3F — read (control OUT, control IN, endpoint 1 to 14)

Transaction — write or read 1 byte (code or data)

Table 108: DcEndpointConfiguration register: bit allocation

Bit	7	6	5	4	3	2	1	0
Symbol	FIFOEN	EPDIR	DBLBUF	FFOISO	FFOSZ[3:0]			
Reset	0	0	0	0	0	0	0	0
Access	R/W	R/W	R/W	R/W	R/W	R/W	R/W	R/W

Table 109: DcEndpointConfiguration register: bit description

Bit	Symbol	Description
7	FIFOEN	Logic 1 indicates an enabled buffer memory with allocated memory. Logic 0 indicates a disabled buffer memory (no bytes allocated).
6	EPDIR	This bit defines the endpoint direction (0 = OUT, 1 = IN); it also determines the DMA transfer direction (0 = read, 1 = write).
5	DBLBUF	Logic 1 indicates that this endpoint has double buffering.
4	FFOISO	Logic 1 indicates an isochronous endpoint. Logic 0 indicates a bulk or interrupt endpoint.
3 to 0	FFOSZ[3:0]	Selects the buffer memory size according to Table 15 .

16.1.2 DcAddress register (R/W: B7H/B6H)

This command is used to set the USB assigned address in the DcAddress register and enable the USB device. The DcAddress register bit allocation is shown in [Table 110](#).

A USB bus reset sets the device address to 00H (internally) and enables the device. The value of the DcAddress register (accessible by the microprocessor) is not altered by the bus reset. In response to the standard USB request Set Address, the firmware must issue a Write Device Address command, followed by sending an empty packet to the host. The **new** device address is activated when the host acknowledges the empty packet.

Code (Hex): B6/B7 — write or read DcAddress register

Transaction — write or read 1 byte (code or data)

Table 110: DcAddress register: bit allocation

Bit	7	6	5	4	3	2	1	0
Symbol	DEVEN	DEVADR[6:0]						
Reset	0	0	0	0	0	0	0	0
Access	R/W	R/W	R/W	R/W	R/W	R/W	R/W	R/W

Table 111: DcAddress register: bit description

Bit	Symbol	Description
7	DEVEN	Logic 1 enables the device.
6 to 0	DEVADR[6:0]	This field specifies the USB device address.

16.1.3 DcMode register (R/W: B9H/B8H)

This command is used to access the DcMode register, which consists of 1 byte (bit allocation: see [Table 112](#)). In the 16-bit bus mode, the upper byte is ignored.

The DcMode register controls the DMA bus width, the resume and suspend modes, interrupt activity, and SoftConnect operation. It can be used to enable the debug mode, in which all errors and Not Acknowledge (NAK) conditions will generate an interrupt.

Code (Hex): B8/B9 — write or read DcMode register

Transaction — write or read 1 byte (code or data)

Table 112: DcMode register: bit allocation

Bit	7	6	5	4	3	2	1	0
Symbol	reserved	GOSUSP	reserved	INTENA	DBGMOD	reserved	SOFTCT	
Reset	1 ^[1]	0	0	0	0 ^[1]	0 ^[1]	0 ^[1]	0 ^[1]
Access	R/W	R/W	R/W	R/W	R/W	R/W	R/W	R/W

[1] Unchanged by a bus reset.

Table 113: DcMode register: bit description

Bit	Symbol	Description
7 to 6	-	reserved
5	GOSUSP	Writing logic 1 followed by logic 0 will activate the 'suspend' mode.
4	-	reserved
3	INTENA	Logic 1 enables all interrupts. Bus reset value: unchanged.
2	DBGMOD	Logic 1 enables debug mode, in which all NAKs and errors will generate an interrupt. Logic 0 selects normal operation, in which interrupts are generated on every ACK (bulk endpoints) or after every data transfer (isochronous endpoints). Bus reset value: unchanged.
1	-	reserved
0	SOFTCT	Logic 1 enables SoftConnect. This bit is ignored if EXTPUL = 1 in the DcHardwareConfiguration register (see Table 114). Bus reset value: unchanged. Remark: In the OTG mode, this bit is ignored. The LOC_CONN bit of the OtgControl register controls the pull-up resistor on the OTG_DP1 pin.

16.1.4 DcHardwareConfiguration register (R/W: BBH/BAH)

This command is used to access the DcHardwareConfiguration register, which consists of two bytes. The first (lower) byte contains the device configuration and control values, the second (upper) byte holds the clock control bits and the clock division factor. The bit allocation is given in [Table 114](#). A bus reset will not change any of the programmed bit values.

The DcHardwareConfiguration register controls the connection to the USB bus, clock activity and power supply during the 'suspend' state, as well as output clock frequency, DMA operating mode and pin configurations (polarity, signalling mode).

Code (Hex): BA/BB — write or read DcHardwareConfiguration register

Transaction — write or read 2 bytes (code or data)

Table 114: DcHardwareConfiguration register: bit allocation

Bit	15	14	13	12	11	10	9	8
Symbol	reserved	EXTPUL	NOLAZY	CLKRUN	CKDIV[3:0]			
Reset	-	0	1	0	0	0	1	1
Access	-	R/W	R/W	R/W	R/W	R/W	R/W	R/W
Bit	7	6	5	4	3	2	1	0
Symbol	DAKOLY	DRQPOL	DAKPOL	reserved	WKUPCS	reserved	INTLVL	INTPOL
Reset	0	1	0	0	0	1	0	0
Access	R/W	R/W	R/W	-	R/W	R/W	R/W	R/W

Table 115: DcHardwareConfiguration register: bit description

Bit	Symbol	Description
15	-	reserved
14	EXTPUL	Logic 1 indicates that an external 1.5 kΩ pull-up resistor is used on pin OTG_DP1 (in the device mode) and that SoftConnect is not used. Bus reset value: unchanged.
13	NOLAZY	Logic 1 disables output on pin CLKOUT of the LazyClock frequency (115 kHz ± 50 %) during the 'suspend' state. Logic 0 causes pin CLKOUT to switch to LazyClock output after approximately 2 ms delay, following the setting of bit GOSUSP of the DcMode register. Bus reset value: unchanged.
12	CLKRUN	Logic 1 indicates that the internal clocks are always running, even during the 'suspend' state. Logic 0 switches off the internal oscillator and PLL, when they are not needed. During the 'suspend' state, this bit must be made logic 0 to meet the suspend current requirements. The clock is stopped after a delay of approximately 2 ms, following the setting of bit GOSUSP of the DcMode register. Bus reset value: unchanged.
11 to 8	CKDIV[3:0]	This field specifies the clock division factor N, which controls the clock frequency on output CLKOUT. The output frequency in MHz is given by $48/(N + 1)$. The clock frequency range is 3 MHz to 48 MHz (N = 0 to 15), with a reset value of 12 MHz (N = 3). The hardware design guarantees no glitches during frequency change. Bus reset value: unchanged.
7	DAKOLY	Logic 1 selects the DACK-only DMA mode. Logic 0 selects the 8237 compatible DMA mode. Bus reset value: unchanged.
6	DRQPOL	Selects the DREQ2 pin signal polarity (0 = active LOW; 1 = active HIGH). Bus reset value: unchanged.
5	DAKPOL	Selects the $\overline{\text{DACK2}}$ pin signal polarity (0 = active LOW; 1 = active HIGH). Bus reset value: unchanged.
4	-	reserved
3	WKUPCS	Logic 1 enables remote wake-up using a LOW level on input $\overline{\text{CS}}$. Bus reset value: unchanged.
2	-	reserved
1	INTLVL	Selects the interrupt signalling mode on output (0 = level; 1 = pulsed). In the pulsed mode, an interrupt produces 166 ns pulse. Bus reset value: unchanged.
0	INTPOL	Selects the INT2 signal polarity (0 = active LOW; 1 = active HIGH). Bus reset value: unchanged.

16.1.5 DcInterruptEnable register (R/W: C3H/C2H)

This command is used to individually enable or disable interrupts from all endpoints, as well as interrupts caused by events on the USB bus (SOF, SOF lost, EOT, suspend, resume, reset). A bus reset will not change any of the programmed bit values.

The command accesses the DcInterruptEnable register, which consists of 4 bytes. The bit allocation is given in Table 116.

Code (Hex): C2/C3 — write or read InterruptEnable register

Transaction — write or read 4 bytes (code or data)

Table 116: DcInterruptEnable register: bit allocation

Bit	31	30	29	28	27	26	25	24
Symbol	reserved							
Reset	-	-	-	-	-	-	-	-
Access	-	-	-	-	-	-	-	-
Bit	23	22	21	20	19	18	17	16
Symbol	IEP14	IEP13	IEP12	IEP11	IEP10	IEP9	IEP8	IEP7
Reset	0	0	0	0	0	0	0	0
Access	R/W	R/W	R/W	R/W	R/W	R/W	R/W	R/W
Bit	15	14	13	12	11	10	9	8
Symbol	IEP6	IEP5	IEP4	IEP3	IEP2	IEP1	IEP0IN	IEP0OUT
Reset	0	0	0	0	0	0	0	0
Access	R/W	R/W	R/W	R/W	R/W	R/W	R/W	R/W
Bit	7	6	5	4	3	2	1	0
Symbol	reserved	SP_IEEOT	IEPSOF	IESOF	IEEOT	IESUSP	IERESM	IERST
Reset	-	0	0	0	0	0	0	0
Access	-	R/W	R/W	R/W	R/W	R/W	R/W	R/W

Table 117: DcInterruptEnable register: bit description

Bit	Symbol	Description
31 to 24	-	reserved; must write logic 0
23 to 10	IEP14 to IEP1	Logic 1 enables interrupts from the indicated endpoint.
9	IEP0IN	Logic 1 enables interrupts from the control IN endpoint.
8	IEP0OUT	Logic 1 enables interrupts from the control OUT endpoint.
7	-	reserved
6	SP_IEEOT	Logic 1 enables interrupt upon detection of a short packet.
5	IEPSOF	Logic 1 enables 1 ms interrupts upon detection of Pseudo SOF.
4	IESOF	Logic 1 enables interrupt upon the SOF detection.
3	IEEOT	Logic 1 enables interrupt upon the EOT detection.
2	IESUSP	Logic 1 enables interrupt upon detection of a 'suspend' state.
1	IERESM	Logic 1 enables interrupt upon detection of a 'resume' state.
0	IERST	Logic 1 enables interrupt upon detection of a bus reset.

16.1.6 DcDMAConfiguration (R/W: F1H/F0H)

This command defines the DMA configuration of the DC and enables or disables DMA transfers. The command accesses the DcDMAConfiguration register, which consists of two bytes. The bit allocation is given in [Table 118](#). A bus reset will clear bit DMAEN (DMA disabled), all other bits remain unchanged.

Code (Hex): F0/F1 — write or read DMA Configuration

Transaction — write or read 2 bytes (code or data)

Table 118: DcDMAConfiguration register: bit allocation

Bit	15	14	13	12	11	10	9	8
Symbol	CNTREN	SHORTP	reserved					
Reset	0 ^[1]	0 ^[1]	-	-	-	-	-	-
Access	R/W	R/W	-	-	-	-	-	-
Bit	7	6	5	4	3	2	1	0
Symbol	EPDIX[3:0]				DMAEN	reserved	BURSTL[1:0]	
Reset	0 ^[1]	0 ^[1]	0 ^[1]	0 ^[1]	0	-	0 ^[1]	0 ^[1]
Access	R/W	R/W	R/W	R/W	R/W	-	R/W	R/W

[1] Unchanged by a bus reset.

Table 119: DcDMAConfiguration register: bit description

Bit	Symbol	Description
15	CNTREN	Logic 1 enables the generation of an EOT condition, when the DcDMACounter register reaches zero. Bus reset value: unchanged.
14	SHORTP	Logic 1 enables the short or empty packet mode. When receiving (OUT endpoint) a short or empty packet, an EOT condition is generated. When transmitting (IN endpoint), this bit should be cleared. Bus reset value: unchanged.
13 to 8	-	reserved
7 to 4	EPDIX[3:0]	Indicates the destination endpoint for DMA, see Table 17 .
3	DMAEN	Writing logic 1 enables DMA transfer, logic 0 forces the end of an ongoing DMA transfer. Reading this bit indicates whether DMA is enabled (0 = DMA stopped; 1 = DMA enabled). This bit is cleared by a bus reset.
2	-	reserved
1 to 0	BURSTL[1:0]	Selects the DMA burst length: 00 — single-cycle mode (1 byte) 01 — burst mode (4 bytes) 10 — burst mode (8 bytes) 11 — burst mode (16 bytes) Bus reset value: unchanged.

16.1.7 DcDMACounter register (R/W: F3H/F2H)

This command accesses the DcDMACounter register, which consists of two bytes. The bit allocation is given in [Table 120](#). Writing to the register sets the number of bytes for a DMA transfer. Reading the register returns the number of remaining bytes in the current transfer. A bus reset will not change the programmed bit values.

The internal DMA counter is automatically reloaded from the DcDMACounter register when DMA is re-enabled (DMAEN = 1). See [Section 16.1.6](#) for more details.

Code (Hex): F2/F3 — write or read DcDMACounter register

Transaction — write or read 2 bytes (code or data)

Table 120: DcDMACounter register: bit allocation

Bit	15	14	13	12	11	10	9	8
Symbol	DMACR[15:8]							
Reset	0	0	0	0	0	0	0	0
Access	R/W	R/W	R/W	R/W	R/W	R/W	R/W	R/W
Bit	7	6	5	4	3	2	1	0
Symbol	DMACR[7:0]							
Reset	0	0	0	0	0	0	0	0
Access	R/W	R/W	R/W	R/W	R/W	R/W	R/W	R/W

Table 121: DcDMACounter register: bit description

Bit	Symbol	Description
15 to 0	DMACR[15:0]	DcDMACounter register

16.1.8 Reset Device (F6H)

This command resets the DC in the same way as an external hardware reset by using the input RESET. All registers are initialized to their 'reset' values.

Code (Hex): F6 — reset the device

Transaction — none (code only)

16.2 Data flow commands

Data flow commands are used to manage the data transmission between the USB endpoints and the system microprocessor. Much of the data flow is initiated using an interrupt to the microprocessor. The data flow commands are used to access the endpoints and determine whether the endpoint buffer memory contains valid data.

Remark: The IN buffer of an endpoint contains input data **for** the host. The OUT buffer receives output data **from** the host.

16.2.1 Write or read Endpoint Buffer (R/W: 10H,12H–1FH/01H–0FH)

This command is used to access endpoint buffer memory for reading or writing. First, the buffer pointer is reset to the beginning of the buffer. Following the command, a maximum of (N + 2) bytes can be written or read, N representing the size of the endpoint buffer. For 16-bit access, the maximum number of words is (M + 1), with M given by (N + 1) divided by 2. After each read or write action, the buffer pointer is automatically incremented by two.

In direct memory access (DMA), the first two bytes or the first word (the packet length) are skipped: transfers start at the third byte or the second word of the endpoint buffer. When reading, the DC can detect the last byte or word by using the EOP condition. When writing to a bulk or interrupt endpoint, the endpoint buffer must be completely filled before sending data to the host. Exception: when a DMA transfer is stopped by an external EOT condition, the current buffer content (full or not) is sent to the host.

Remark: Reading data after a Write Endpoint Buffer command or writing data after a Read Endpoint Buffer command data will cause unpredictable behavior of the DC.

Code (Hex): 01 to 0F — write (control IN, endpoint 1 to 14)

Code (Hex): 10, 12 to 1F — read (control OUT, endpoint 1 to 14)

Transaction — write or read maximum $N + 2$ bytes (isochronous endpoint: $N \leq 1023$, bulk/interrupt endpoint: $N \leq 32$) (code or data)

The data in the endpoint buffer memory must be organized as shown in [Table 122](#). An example of endpoint buffer memory access is given in [Table 123](#).

Table 122: Endpoint buffer memory organization

Word #	Description
0 (lower byte)	packet length (lower byte)
0 (upper byte)	packet length (upper byte)
1 (lower byte)	data byte 1
1 (upper byte)	data byte 2
...	...
$M = (N + 1)/2$	data byte N

Table 123: Example of endpoint buffer memory access

A0	Phase	Bus lines	Word #	Description
HIGH	command	D[7:0]	-	command code (00H to 1FH)
		D[15:8]	-	ignored
LOW	data	D[15:0]	0	packet length
LOW	data	D[15:0]	1	data word 1 (data byte 2, data byte 1)
LOW	data	D[15:0]	2	data word 2 (data byte 4, data byte 3)
...

Remark: There is no protection against writing or reading past a buffer's boundary, against writing into an OUT buffer or reading from an IN buffer. Any of these actions could cause an incorrect operation. Data residing in an OUT buffer is only meaningful after a successful transaction. Exception: during DMA access of a double-buffered endpoint, the buffer pointer automatically points to the secondary buffer after reaching the end of the primary buffer.

16.2.2 Read Endpoint Status (R: 50H–5FH)

This command is used to read the status of an endpoint buffer memory. The command accesses the DcEndpointStatus register, the bit allocation of which is shown in [Table 124](#). Reading the DcEndpointStatus register will clear the interrupt bit set for the corresponding endpoint in the DcInterrupt register (see [Table 140](#)).

All bits of the DcEndpointStatus register are read-only. Bit EPSTAL is controlled by the Stall or Unstall commands and by the reception of a SET-UP token (see [Section 16.2.3](#)).

Code (Hex): 50 to 5F — read (control OUT, control IN, endpoint 1 to 14)

Transaction — read 1 byte (code only)

Table 124: DcEndpointStatus register: bit allocation

Bit	7	6	5	4	3	2	1	0
Symbol	EPSTAL	EPFULL1	EPFULL0	DATA_PID	OVERWRITE	SETUPT	CPUBUF	reserved
Reset	0	0	0	0	0	0	0	-
Access	R	R	R	R	R	R	R	-

Table 125: DcEndpointStatus register: bit description

Bit	Symbol	Description
7	EPSTAL	This bit indicates whether the endpoint is stalled or not (1 = stalled; 0 = not stalled). Set to logic 1 by a Stall Endpoint command, cleared to logic 0 by an Unstall Endpoint command. The endpoint is automatically unstalled on receiving a SET-UP token.
6	EPFULL1	Logic 1 indicates that the secondary endpoint buffer is full.
5	EPFULL0	Logic 1 indicates that the primary endpoint buffer is full.
4	DATA_PID	This bit indicates the data PID of the next packet (0 = DATA PID; 1 = DATA1 PID).
3	OVERWRITE	This bit is set by hardware. Logic 1 indicates that a new Set-up packet has overwritten the previous set-up information, before it was acknowledged or before the endpoint was stalled. This bit is cleared by reading, if writing the set-up data has finished. Firmware must check this bit before sending an Acknowledge Set-up command or stalling the endpoint. Upon reading logic 1, the firmware must stop ongoing set-up actions and wait for a new Set-up packet.
2	SETUPT	Logic 1 indicates that the buffer contains a Set-up packet.
1	CPUBUF	This bit indicates which buffer is currently selected for CPU access (0 = primary buffer; 1 = secondary buffer).
0	-	reserved

16.2.3 Stall Endpoint or Unstall Endpoint (40H–4FH/80H–8FH)

These commands are used to stall or unstall an endpoint. The commands modify the content of the DcEndpointStatus register (see Table 124).

A stalled control endpoint is automatically unstalled when it receives a SET-UP token, regardless of the packet content. If the endpoint should stay in its stalled state, the microprocessor can re-stall it with the Stall Endpoint command.

When a stalled endpoint is unstalled (either by using the Unstall Endpoint command or by receiving a SET-UP token), it is also re-initialized. This flushes the buffer: if it is an OUT buffer, it waits for a DATA 0 PID; if it is an IN buffer, it writes a DATA 0 PID.

Code (Hex): 40 to 4F — stall (control OUT, control IN, endpoint 1 to 14)

Code (Hex): 80 to 8F — unstall (control OUT, control IN, endpoint 1 to 14)

Transaction — none (code only)

16.2.4 Validate Endpoint Buffer (61H–6FH)

This command signals the presence of valid data for transmission to the USB host, by setting the Buffer Full flag of the selected IN endpoint. This indicates that the data in the buffer is valid and can be sent to the host, when the next IN token is received. For a double-buffered endpoint, this command switches the current buffer memory for CPU access.

Remark: For special aspects of the control IN endpoint, see [Section 13.3.6](#).

Code (Hex): 61 to 6F — validate endpoint buffer (control IN, endpoint 1 to 14)

Transaction — none (code only)

16.2.5 Clear Endpoint Buffer (70H, 72H–7FH)

This command unlocks and clears the buffer of the selected OUT endpoint, allowing the reception of new packets. Reception of a complete packet causes the Buffer Full flag of an OUT endpoint to be set. Any subsequent packets are refused by returning a NAK condition, until the buffer is unlocked using this command. For a double-buffered endpoint, this command switches the current buffer memory for CPU access.

Remark: For special aspects of the control OUT endpoint, see [Section 13.3.6](#).

Code (Hex): 70, 72 to 7F — clear endpoint buffer (control OUT, endpoint 1 to 14)

Transaction — none (code only)

16.2.6 DcEndpointStatusImage register (D0H–DFH)

This command is used to check the status of the selected endpoint buffer memory without clearing any status or interrupt bits. The command accesses the DcEndpointStatusImage register, which contains a copy of the DcEndpointStatus register. The bit allocation of the DcEndpointStatusImage register is shown in [Table 126](#).

Code (Hex): D0 to DF — check status (control OUT, control IN, endpoint 1 to 14)

Transaction — write or read 1 byte (code or data)

Table 126: DcEndpointStatusImage register: bit allocation

Bit	7	6	5	4	3	2	1	0
Symbol	EPSTAL	EPFULL1	EPFULL0	DATA_PID	OVER WRITE	SETUPT	CPUBUF	reserved
Reset	0	0	0	0	0	0	0	-
Access	R	R	R	R	R	R	R	-

Table 127: DcEndpointStatusImage register: bit description

Bit	Symbol	Description
7	EPSTAL	This bit indicates whether the endpoint is stalled or not (1 = stalled; 0 = not stalled).
6	EPFULL1	Logic 1 indicates that the secondary endpoint buffer is full.
5	EPFULL0	Logic 1 indicates that the primary endpoint buffer is full.
4	DATA_PID	This bit indicates the data PID of the next packet (0 = DATA0 PID; 1 = DATA1 PID).

Table 127: DcEndpointStatusImage register: bit description...continued

Bit	Symbol	Description
3	OVERWRITE	This bit is set by hardware. Logic 1 indicates that a new Set-up packet has overwritten the previous set-up information, before it was acknowledged or before the endpoint was stalled. This bit is cleared by reading, if writing the set-up data has finished. Firmware must check this bit before sending an Acknowledge Set-up command or stalling the endpoint. Upon reading logic 1, the firmware must stop ongoing set-up actions and wait for a new Set-up packet.
2	SETUPT	Logic 1 indicates that the buffer contains a Set-up packet.
1	CPUBUF	This bit indicates which buffer is currently selected for CPU access (0 = primary buffer; 1 = secondary buffer).
0	-	reserved

16.2.7 Acknowledge Set-up (F4H)

This command acknowledges to the host that a Set-up packet was received. The arrival of a Set-up packet disables the Validate Buffer and Clear Buffer commands for the control IN and OUT endpoints. The microprocessor needs to re-enable these commands by sending an Acknowledge Set-up command, see [Section 13.3.6](#).

Code (Hex): F4 — acknowledge set-up

Transaction — none (code only)

16.3 General commands

16.3.1 Read Endpoint Error Code (R: A0H–AFH)

This command returns the status of the last transaction of the selected endpoint, as stored in the DcErrorCode register. Each new transaction overwrites the previous status information. The bit allocation of the DcErrorCode register is shown in [Table 128](#).

Code (Hex): A0 to AF — read error code (control OUT, control IN, endpoint 1 to 14)

Transaction — read 1 byte (code or data)

Table 128: DcErrorCode register: bit allocation

Bit	7	6	5	4	3	2	1	0
Symbol	UNREAD	DATA01	reserved	ERROR[3:0]				RTOK
Reset	0	0	-	0	0	0	0	0
Access	R	R	-	R	R	R	R	R

Table 129: DcErrorCode register: bit description

Bit	Symbol	Description
7	UNREAD	Logic 1 indicates that a new event occurred before the previous status was read.
6	DATA01	This bit indicates the PID type of the last successfully received or transmitted packet (0 = DATA0 PID; 1 = DATA1 PID).

Table 129: DcErrorCode register: bit description...continued

Bit	Symbol	Description
5	-	reserved
4 to 1	ERROR[3:0]	Error code. For error description, see Table 130 .
0	RTOK	Logic 1 indicates that data was successfully received or transmitted.

Table 130: Transaction error codes

Error code (Binary)	Description
0000	no error
0001	PID encoding error; bits 7 to 4 are not the inverse of bits 3 to 0
0010	PID unknown; encoding is valid, but PID does not exist
0011	unexpected packet; packet is not of the expected type (token, data or acknowledge) or is a SET-UP token to a non-control endpoint
0100	token CRC error
0101	data CRC error
0110	time-out error
0111	babble error
1000	unexpected end-of-packet
1001	sent or received NAK (Not Acknowledge)
1010	sent Stall; a token was received, but the endpoint was stalled
1011	overflow; the received packet was larger than the available buffer space
1100	sent empty packet (ISO only)
1101	bit stuffing error
1110	sync error
1111	wrong (unexpected) toggle bit in DATA PID; data was ignored

16.3.2 Unlock Device (B0H)

This command unlocks the DC from write-protection mode after a ‘resume’. In the ‘suspend’ state, all registers and buffer memory are write-protected to prevent data corruption by external devices during a ‘resume’. Also, the register access for reading is possible only after the ‘unlock device’ command is executed.

After waking up from the ‘suspend’ state, the firmware must unlock the registers and buffer memory by using this command, by writing the unlock code (AA37H) into the DcLock register (8-bit bus: lower byte first). The bit allocation of the DcLock register is given in [Table 131](#).

Code (Hex): B0 — unlock the device

Transaction — write 2 bytes (unlock code) (code or data)

Table 131: DcLock register: bit allocation

Bit	15	14	13	12	11	10	9	8
Symbol	UNLOCK[15:8] = AAH							
Reset	1	0	1	0	1	0	1	0
Access	W	W	W	W	W	W	W	W

Bit	7	6	5	4	3	2	1	0
Symbol	UNLOCK[7:0] = 37H							
Reset	0	0	1	1	0	1	1	1
Access	W	W	W	W	W	W	W	W

Table 132: DcLock register: bit description

Bit	Symbol	Description
15 to 0	UNLOCK[15:0]	Sending data AA37H unlocks the internal registers and buffer memory for writing, following a 'resume'.

16.3.3 DcScratch register (R/W: B3H/B2H)

This command accesses the 16-bit DcScratch register, which can be used by the firmware to save and restore information. For example, the device status before powering down in the 'suspend' state. The register bit allocation is given in Table 133.

Code (Hex): B2/B3 — write or read DcScratch register

Transaction — write or read 2 bytes (code or data)

Table 133: DcScratch Information register: bit allocation

Bit	15	14	13	12	11	10	9	8
Symbol	reserved			SFIR[12:8]				
Reset	-	-	-	0	0	0	0	0
Access	-	-	-	R/W	R/W	R/W	R/W	R/W
Bit	7	6	5	4	3	2	1	0
Symbol	SFIR[7:0]							
Reset	0	0	0	0	0	0	0	0
Access	R/W	R/W	R/W	R/W	R/W	R/W	R/W	R/W

Table 134: DcScratch Information register: bit description

Bit	Symbol	Description
15 to 13	-	reserved; must be logic 0
12 to 0	SFIR[12:0]	Scratch Information register

16.3.4 DcFrameNumber register (R: B4H)

This command returns the frame number of the last successfully received SOF. It is followed by reading one word from the DcFrameNumber register, containing the frame number. The DcFrameNumber register is shown in Table 135.

Remark: After a bus reset, the value of the DcFrameNumber register is undefined.

Code (Hex): B4 — read frame number

Transaction — read 1 or 2 bytes (code or data)

Table 135: DcFrameNumber register: bit allocation

Bit	15	14	13	12	11	10	9	8
Symbol	reserved					SOFR[9:8]		
Reset ^[1]	-	-	-	-	-	0	0	0
Access	-	-	-	-	-	R	R	R
Bit	7	6	5	4	3	2	1	0
Symbol	SOFR[7:0]							
Reset ^[1]	0	0	0	0	0	0	0	0
Access	R	R	R	R	R	R	R	R

[1] Reset value undefined after a bus reset.

Table 136: DcFrameNumber register: bit description

Bit	Symbol	Description
15 to 11	-	reserved
10 to 0	SOFR[9:0]	frame number

Table 137: Example of DcFrameNumber register access

A0	Phase	Bus lines	Word #	Description
HIGH	command	D[15:8]	-	ignored
		D[7:0]	-	command code (B4H)
LOW	data	D[15:0]	0	frame number

16.3.5 DcChipID (R: B5H)

This command reads the chip identification code and hardware version number. The firmware must check this information to determine the supported functions and features. This command accesses the DcChipID register, which is shown in Table 138.

Code (Hex): B5 — read chip ID

Transaction — read 2 bytes (code or data)

Table 138: DcChipID register: bit allocation

Bit	15	14	13	12	11	10	9	8
Symbol	CHIPIDH[7:0]							
Reset	0	0	1	1	0	1	1	0
Access	R	R	R	R	R	R	R	R
Bit	7	6	5	4	3	2	1	0
Symbol	CHIPIDL[7:0]							
Reset	0	0	1	1	0	0	0	0
Access	R	R	R	R	R	R	R	R

Table 139: DcChipID register: bit description

Bit	Symbol	Description
15 to 8	CHIPIDH[7:0]	chip ID code (36H)
7 to 0	CHIPIDL[7:0]	silicon version (30H, with 30 representing the BCD encoded version number)

16.3.6 DcInterrupt register (R: C0H)

This command indicates the sources of interrupts as stored in the 4-byte DcInterrupt register. Each individual endpoint has its own interrupt bit. The bit allocation of the DcInterrupt register is shown in Table 140. Bit BUSTATUS is used to verify the current bus status in the interrupt service routine. Interrupts are enabled using the DcInterruptEnable register, see Section 16.1.5.

While reading the DcInterrupt register, it is recommended that both 2-byte words are read completely.

Code (Hex): C0 — read DcInterrupt register

Transaction — read 4 bytes (code or data)

Table 140: DcInterrupt register: bit allocation

Bit	31	30	29	28	27	26	25	24
Symbol	reserved							
Reset	-	-	-	-	-	-	-	-
Access	-	-	-	-	-	-	-	-
Bit	23	22	21	20	19	18	17	16
Symbol	EP14	EP13	EP12	EP11	EP10	EP9	EP8	EP7
Reset	0	0	0	0	0	0	0	0
Access	R	R	R	R	R	R	R	R
Bit	15	14	13	12	11	10	9	8
Symbol	EP6	EP5	EP4	EP3	EP2	EP1	EP0IN	EP0OUT
Reset	0	0	0	0	0	0	0	0
Access	R	R	R	R	R	R	R	R
Bit	7	6	5	4	3	2	1	0
Symbol	BUSTATUS	SP_EOT	PSOF	SOF	EOT	SUSPND	RESUME	RESET
Reset	0	0	0	0	0	0	0	0
Access	R	R	R	R	R	R	R	R

Table 141: DcInterrupt register: bit description

Bit	Symbol	Description
31 to 24	-	reserved
23 to 10	EP14 to EP1	Logic 1 indicates the interrupt source(s): endpoint 14 to 1.
9	EP0IN	Logic 1 indicates the interrupt source: control IN endpoint.
8	EP0OUT	Logic 1 indicates the interrupt source: control OUT endpoint.
7	BUSTATUS	Monitors the current USB bus status (0 = awake, 1 = suspend).
6	SP_EOT	Logic 1 indicates that an EOT interrupt has occurred for a short period.

Table 141: DcInterrupt register: bit description...continued

Bit	Symbol	Description
5	PSOF	Logic 1 indicates that an interrupt is issued every 1 ms because of the Pseudo SOF; after three missed SOFs, the 'suspend' state is entered.
4	SOF	Logic 1 indicates that an SOF condition was detected.
3	EOT	Logic 1 indicates that an internal EOT condition was generated by the DMA Counter reaching zero.
2	SUSPND	Logic 1 indicates that an 'awake' to 'suspend' change of state was detected on the USB bus.
1	RESUME	Logic 1 indicates that a 'resume' state was detected.
0	RESET	Logic 1 indicates that a bus reset condition was detected.

17. Limiting values

Table 142: Absolute maximum ratings

In accordance with the Absolute Maximum Rating System (IEC 60134).

Symbol	Parameter	Conditions	Min	Max	Unit
V_{CC}	supply voltage		-0.5	+4.6	V
V_I	input voltage		-0.5	+6.0	V
I_{lu}	latch-up current	$V_I < 0$ or $V_I > V_{CC}$	-	100	mA
V_{esd}	electrostatic discharge voltage	$I_{LI} < 1 \mu A$	[1] -2000	+2000	V
T_{stg}	storage temperature		-60	+150	°C

[1] Equivalent to discharging a 100 pF capacitor through a 1.5 k Ω resistor (Human Body Model).

18. Recommended operating conditions

Table 143: Recommended operating conditions

DP represents OTG_DP1 and H_DP2, and DM represents OTG_DM1 and H_DM2.

Symbol	Parameter	Conditions	Min	Typ	Max	Unit
V_{CC}	supply voltage		3.0	3.3	3.6	V
V_I	input voltage on digital I/O lines	1.8 V tolerant pins	0	1.8	2.0	V
		3.3 V tolerant pins	0	3.3	3.6	V
		5 V tolerant pins	0	5.0	5.5	V
$V_{I(A/I/O)}$	input voltage on analog I/O lines (pins DP and DM)		0	-	3.6	V
$V_{O(od)}$	open-drain output pull-up voltage	5 V tolerant pins	0	-	5.5	V
		non 5 V tolerant pins	0	-	3.6	V
T_{amb}	ambient temperature		-40	-	+85	°C

19. Static characteristics

Table 144: Static characteristics: supply pins

$V_{CC} = 3.3\text{ V to }3.6\text{ V}$; $GND = 0\text{ V}$; $T_{amb} = -40\text{ }^{\circ}\text{C to }+85\text{ }^{\circ}\text{C}$; unless otherwise specified.

Symbol	Parameter	Conditions	Min	Typ	Max	Unit
$I_{CC(HC)}$	operating supply current for the HC	DC suspended	-	33	-	mA
$I_{CC(DC)}$	operating supply current for the DC	HC suspended	-	20	-	mA
$I_{CC(HC+DC)}$	operating supply current for the host and the device		-	50	-	mA
$I_{CC(susp)}$	suspend supply current	HC and DC are suspended	[1] -	60	-	μA

[1] Power consumption on the charge pump is not included.

Table 145: Static characteristics: digital pins

$V_{CC} = 3.0\text{ V to }3.6\text{ V}$; $GND = 0\text{ V}$; $T_{amb} = -40\text{ }^{\circ}\text{C to }+85\text{ }^{\circ}\text{C}$; unless otherwise specified.

Symbol	Parameter	Conditions	Min	Typ	Max	Unit
Input levels						
V_{IL}	LOW-level input voltage		-	-	0.8	V
V_{IH}	HIGH-level input voltage		2.0	-	-	V
Schmitt-trigger inputs						
$V_{th(LH)}$	positive-going threshold voltage		1.4	-	1.9	V
$V_{th(HL)}$	negative-going threshold voltage		0.9	-	1.5	V
V_{hys}	hysteresis voltage		0.4	-	0.7	V
Output levels						
V_{OL}	LOW-level output voltage	$I_{OL} = 4\text{ mA}$	-	-	0.4	V
		$I_{OL} = 20\text{ }\mu\text{A}$	-	-	0.1	V
V_{OH}	HIGH-level output voltage	$I_{OH} = 4\text{ mA}$	[1] 2.4	-	-	V
		$I_{OH} = 20\text{ }\mu\text{A}$	$V_{CC} - 0.1$	-	-	V
Leakage current						
I_{LI}	input leakage current		[2] -5	-	+5	μA
C_{IN}	pin capacitance	pin to GND	-	-	5	pF
Open-drain outputs						
I_{OZ}	OFF-state output current		-5	-	+5	μA

[1] Not applicable for open-drain outputs.

[2] These values are applicable to transistor inputs. The value will be different if internal pull-up or pull-down resistors are used.

Table 146: Static characteristics: analog I/O pins (D+, D-)^[1] $V_{CC} = 3.0\text{ V to }3.6\text{ V}$; $GND = 0\text{ V}$; $T_{amb} = -40\text{ }^{\circ}\text{C to }+85\text{ }^{\circ}\text{C}$; unless otherwise specified.

Symbol	Parameter	Conditions	Min	Typ	Max	Unit
Input levels						
V_{DI}	differential input sensitivity	$ V_{I(D+)} - V_{I(D-)} $	0.2	-	-	V
V_{CM}	differential common mode voltage	includes V_{DI} range	0.8	-	2.5	V
V_{IL}	LOW-level input voltage		-	-	0.8	V
V_{IH}	HIGH-level input voltage		2.0	-	-	V
Output levels						
V_{OL}	LOW-level output voltage	$R_L = 1.5\text{ k}\Omega\text{ to }+3.6\text{ V}$	-	-	0.3	V
V_{OH}	HIGH-level output voltage	$R_L = 15\text{ k}\Omega\text{ to GND}$	2.8	-	3.6	V
Leakage current						
I_{LZ}	OFF-state leakage current		-10	-	+10	μA
Capacitance						
C_{IN}	transceiver capacitance	pin to GND	-	-	10	pF
Resistance						
$R_{pd(OTG)}$	pull-down resistance on pins OTG_DP1 and OTG_DM1	enable internal resistors	14.25	-	24.8	k Ω
$R_{pd(H)}$	pull-down resistance on pins H_DP2 and H_DM2	enable internal resistors	10	-	20	k Ω
$R_{pu(OTG)}$	pull-up resistance on OTG_DP1	bus idle	900	-	1575	Ω
		bus driven	1425	-	3090	Ω
Z_{DRV}	driver output impedance	steady-state drive	^[2] 29	-	44	Ω
Z_{INP}	input impedance		10	-	-	M Ω
Termination						
V_{TERM}	termination voltage for upstream port pull up (R_{PU})		^[3] 3.0	-	3.6	V

[1] DP represents OTG_DP1 and H_DP2, and DM represents OTG_DM1 and H_DM2. D+ is the USB positive data line and D- is the USB negative data line.

[2] Includes external resistors of $18\text{ }\Omega \pm 10\%$ on H_DP2 and H_DM2, and $27\text{ }\Omega \pm 10\%$ on OTG_DP1 and OTG_DM1.

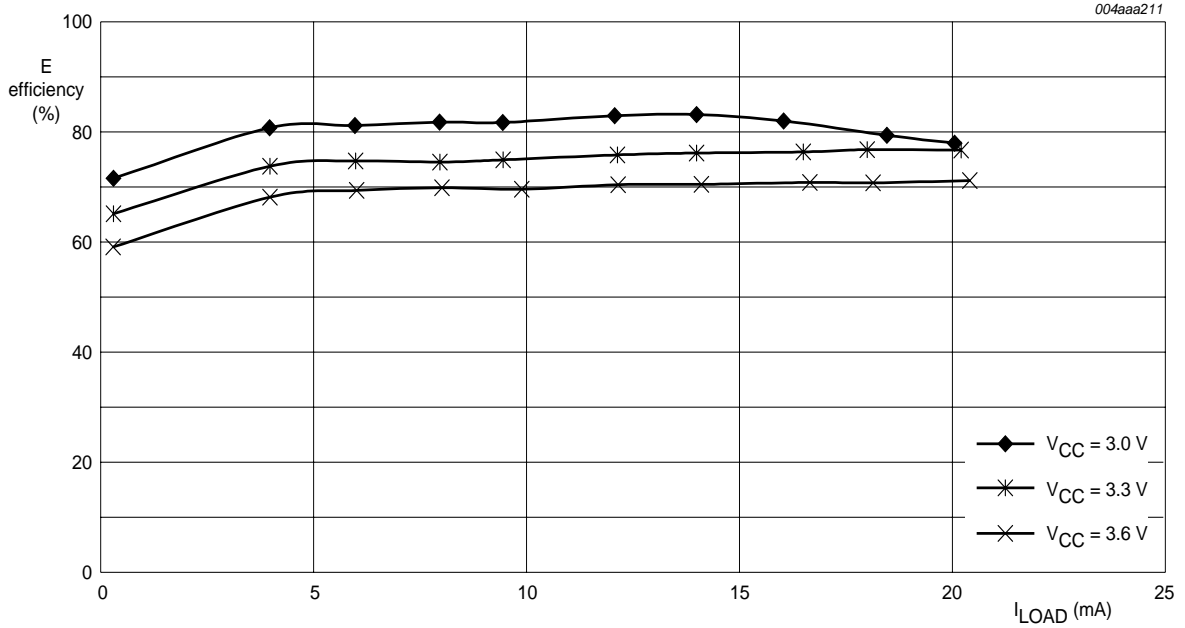
[3] In the suspend mode, the minimum voltage is 2.7 V.

Table 147: Static characteristics: charge pump $V_{CC} = 3.0\text{ V to }3.6\text{ V}$; $GND = 0\text{ V}$; $T_{amb} = -40\text{ }^{\circ}\text{C to }+85\text{ }^{\circ}\text{C}$; $C_{LOAD} = 2\text{ }\mu\text{F}$; unless otherwise specified.

Symbol	Parameter	Conditions	Min	Typ	Max	Unit
V_{BUS}	regulated V_{BUS} voltage	$I_{LOAD} = 8\text{ mA}$ from $V_{BUS(OTG)}$; see Figure 29	-	5	5.25	V
I_{LOAD}	maximum load current	external capacitor of 27 nF; $V_{CC} = 3.0\text{ V to }3.6\text{ V}$	-	-	8	mA
		external capacitor of 82 nF; $V_{CC} = 3.0\text{ V to }3.3\text{ V}$	-	-	14	mA
		external capacitor of 82 nF; $V_{CC} = 3.3\text{ V to }3.6\text{ V}$	-	-	20	mA
C_{LOAD}	output capacitance		1	-	6.5	μF
$V_{BUS(LEAK)}$	$V_{BUS(OTG)}$ leakage voltage	$V_{BUS(OTG)}$ not driven	-	-	0.2	V

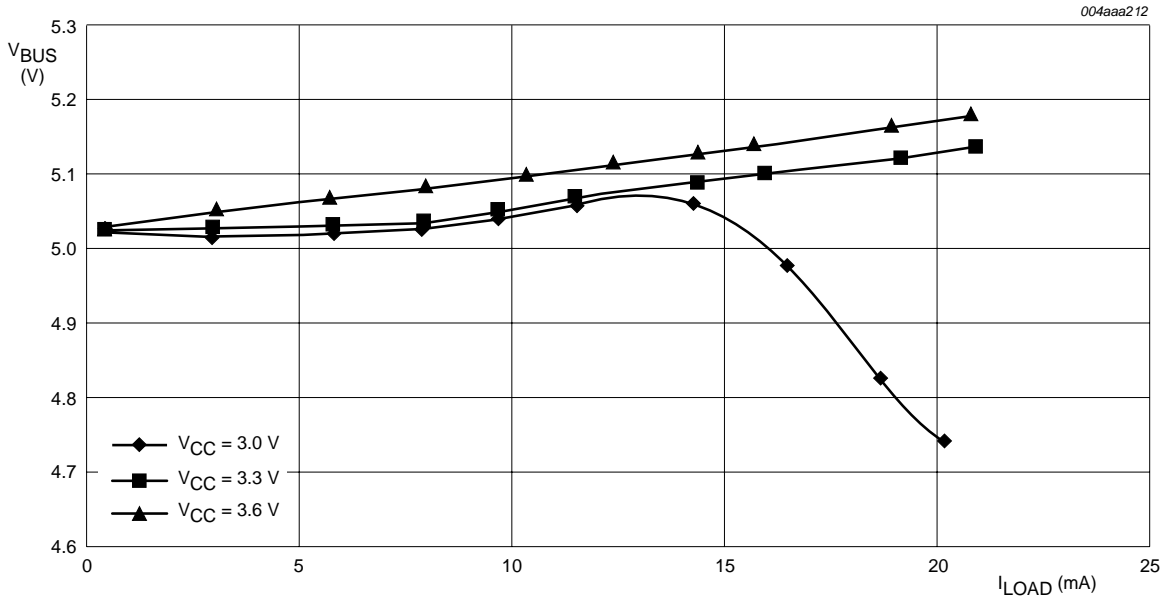
Table 147: Static characteristics: charge pump...continued $V_{CC} = 3.0\text{ V to }3.6\text{ V}$; $GND = 0\text{ V}$; $T_{amb} = -40\text{ }^{\circ}\text{C to }+85\text{ }^{\circ}\text{C}$; $C_{LOAD} = 2\text{ }\mu\text{F}$; unless otherwise specified.

Symbol	Parameter	Conditions	Min	Typ	Max	Unit
$I_{CC(cp)(susp)}$	suspend supply current for charge pump	GlobalPowerDown bit of the HcHardwareConfiguration register is logic 0	-	-	45	μA
		GlobalPowerDown bit of the HcHardwareConfiguration register is logic 1	-	-	15	μA
$I_{CC(cp)}$	operating supply current in charge pump mode	ATX is idle	-	-	-	-
		$I_{LOAD} = 8\text{ mA}$	-	-	20	mA
		$I_{LOAD} = 0\text{ mA}$	-	-	300	μA
$V_{th}(VBUS_VLD)$	V_{BUS} valid threshold		4.4	-	-	V
$V_{th}(SESS_END)$	V_{BUS} session end threshold		0.2	-	0.8	V
$V_{hys}(SESS_END)$	V_{BUS} session end hysteresis		-	150	-	mV
$V_{th}(ASESS_VLD)$	V_{BUS} A valid threshold		0.8	-	2	V
$V_{hys}(ASESS_VLD)$	V_{BUS} A valid hysteresis		-	200	-	mV
$V_{th}(BSESS_VLD)$	V_{BUS} B valid threshold		2	-	4	V
$V_{hys}(BSESS_VLD)$	V_{BUS} B valid hysteresis		-	200	-	mV
E	efficiency when loaded	$I_{LOAD} = 8\text{ mA}$; $V_{IN} = 3\text{ V}$; see Figure 28	-	75	-	%
$I_{VBUS(leak)}$	leakage current from V_{BUS}		-	15	-	μA
$R_{VBUS(PU)}$	V_{BUS} pull-up resistance	pull to V_{CC} when enabled	281	-	-	Ω
$R_{VBUS(PD)}$	V_{BUS} pull-down resistance	pull to GND when enabled	656	-	-	Ω
$R_{VBUS(IDLE)}$	V_{BUS} idle impedance for the A-device	when ID = LOW and $DRV_VBUS = 0$	40	-	100	k Ω
$R_{VBUS(ACTIVE)}$	V_{BUS} active pull-down impedance	when ID = HIGH and $DRV_VBUS = 1$	-	350	-	k Ω



82 nF charge pump capacitor.

Fig 28. Efficiency versus load current.



82 nF charge pump capacitor.

Fig 29. Output voltage versus load current.

20. Dynamic characteristics

Table 148: Dynamic characteristics

$V_{CC} = 3.0\text{ V to }3.6\text{ V}$; $GND = 0\text{ V}$; $T_{amb} = -40\text{ }^{\circ}\text{C to }+85\text{ }^{\circ}\text{C}$; unless otherwise specified.

Symbol	Parameter	Conditions	Min	Typ	Max	Unit
Reset						
$t_{W(\overline{\text{RESET}})}$	pulse width on input RESET	crystal oscillator running	10	-	-	ms
		crystal oscillator stopped	[1] -	-	-	ms
Crystal oscillator						
f_{XTAL}	crystal frequency		[2] -	12	-	MHz
R_S	series resistance		-	-	100	Ω
C_{LOAD}	load capacitance	$C_{X1}, C_{X2} = 22\text{ pF}$	-	12	-	pF
External clock input						
J	external clock jitter		-	-	500	ps
t_{DUTY}	clock duty cycle		45	50	55	%
$t_{\text{CR}}, t_{\text{CF}}$	rise time and fall time		-	-	3	ns

[1] Dependent on the crystal oscillator start-up time.

[2] Tolerance of the clock frequency is ± 50 ppm.

Table 149: Dynamic characteristics: analog I/O lines (D+, D-)[1]

$V_{CC} = 3.0\text{ V to }3.6\text{ V}$; $GND = 0\text{ V}$; $T_{amb} = -40\text{ }^{\circ}\text{C to }+85\text{ }^{\circ}\text{C}$; $C_L = 50\text{ pF}$; $R_{PU} = 1.5\text{ k}\Omega \pm 5\%$ on DP to V_{TERM} ; unless otherwise specified.

Symbol	Parameter	Conditions	Min	Typ	Max	Unit
Driver characteristics						
t_{FR}	rise time	$C_L = 50\text{ pF}$; 10% to 90% of $ V_{\text{OH}} - V_{\text{OL}} $	4	-	20	ns
t_{FF}	fall time	$C_L = 50\text{ pF}$; 90% to 10% of $ V_{\text{OH}} - V_{\text{OL}} $	4	-	20	ns
FRFM	differential rise/fall time matching ($t_{\text{FR}}/t_{\text{FF}}$)		[2] 90	-	111.11	%
V_{CRS}	output signal crossover voltage		[2][3] 1.3	-	2.0	V

[1] DP represents OTG_DP1 and H_DP2, and DM represents OTG_DM1 and H_DM2. Test circuit.

[2] Excluding the first transition from the idle state.

[3] Characterized only, not tested. Limits guaranteed by design.

Table 150: Dynamic characteristics: charge pump

$V_{CC} = 3.0\text{ V to }3.6\text{ V}$; $GND = 0\text{ V}$; $T_{amb} = -40\text{ }^{\circ}\text{C to }+85\text{ }^{\circ}\text{C}$; $C_{\text{LOAD}} = 2\text{ }\mu\text{F}$; unless otherwise specified.

Symbol	Parameter	Conditions	Min	Typ	Max	Unit
Driver characteristics						
$t_{\text{START-UP}}$	rise time to $V_{\text{BUS}} = 4.4\text{ V}$	$I_{\text{LOAD}} = 8\text{ mA}$; $C_{\text{LOAD}} = 10\text{ }\mu\text{F}$	-	-	100	ms
$t_{\text{COMP_CLK}}$	clock period		1.5	-	3	μs

Table 150: Dynamic characteristics: charge pump...continued

$V_{CC} = 3.0\text{ V to }3.6\text{ V}$; $GND = 0\text{ V}$; $T_{amb} = -40\text{ }^{\circ}\text{C to }+85\text{ }^{\circ}\text{C}$; $C_{LOAD} = 2\text{ }\mu\text{F}$; unless otherwise specified.

Symbol	Parameter	Conditions	Min	Typ	Max	Unit
$t_{VBUS(VAID_dly)}$	minimum time $V_{BUS(VAID)}$ error		100	-	200	μs
$t_{VBUS(PULSE)}$	V_{BUS} pulsing time		10	-	30	ms
$t_{VBUS(VAID_dly)}$	V_{BUS} pull-down time		50	-	-	ms
V_{RIPPLE}	output ripple with constant load	$I_{LOAD} = 8\text{ mA}$	-	-	50	mV

20.1 Programmed I/O timing

- If you are accessing only the HC, then the HC programmed I/O timing applies.
- If you are accessing only the DC, then the DC programmed I/O timing applies.
- If you are accessing both the HC and the DC, then the DC programmed I/O timing applies.

20.1.1 HC Programmed I/O timing

Table 151: Dynamic characteristics: HC Programmed interface timing

Symbol	Parameter	Conditions	Min	Typ	Max	Unit
t_{AS}	address set-up time before \overline{CS}		5	-	-	ns
t_{AH}	address hold time after \overline{CS}		2	-	-	ns
Read timing						
t_{SHSL_R}	first $\overline{RD}/\overline{WR}$ after command ($A0 = \text{HIGH}$)	register access	300	-	-	ns
t_{SHSL_B}	first $\overline{RD}/\overline{WR}$ after command ($A0 = \text{HIGH}$)	buffer access	462	-	-	ns
t_{SLRL}	\overline{CS} LOW to \overline{RD} LOW		0	-	-	ns
t_{RHSH}	\overline{RD} HIGH to \overline{CS} HIGH		0	-	-	ns
t_{RL}	\overline{RD} LOW pulse width		33	-	-	ns
t_{RHRL}	\overline{RD} HIGH to next \overline{RD} LOW		110	-	-	ns
T_{RC}	\overline{RD} cycle		143	-	-	ns
t_{RHDZ}	\overline{RD} data hold time		-	-	3	ns
t_{RLDV}	\overline{RD} LOW to data valid		-	-	22	ns
Write timing						
t_{WL}	\overline{WR} LOW pulse width		26	-	-	ns
t_{WHWL}	\overline{WR} HIGH to next \overline{WR} LOW		110	-	-	ns
T_{WC}	\overline{WR} cycle		136	-	-	ns
t_{SLWL}	\overline{CS} LOW to \overline{WR} LOW		0	-	-	ns
t_{WHSH}	\overline{WR} HIGH to \overline{CS} HIGH		0	-	-	ns
t_{WDSU}	\overline{WR} data set-up time		3	-	-	ns
t_{WDH}	\overline{WR} data hold time		4	-	-	ns

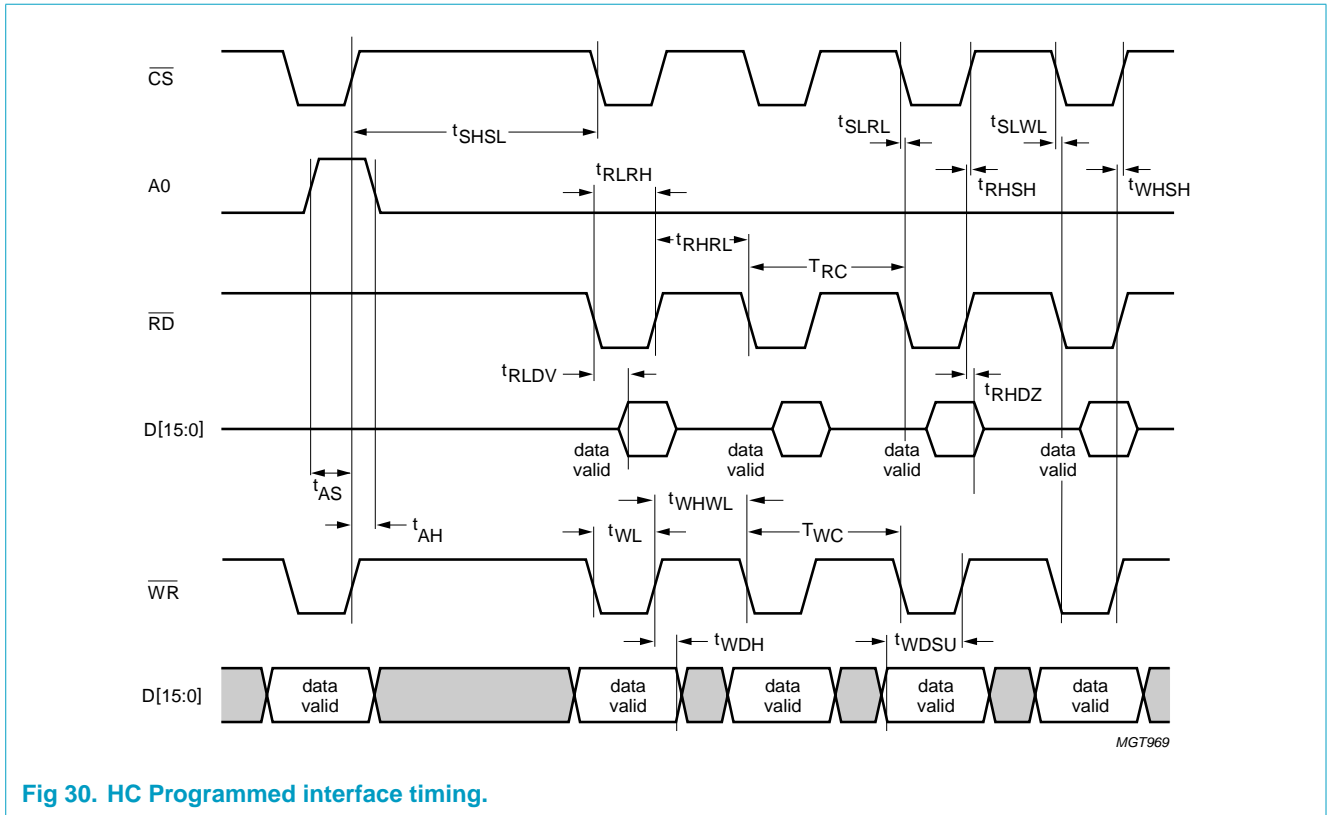


Fig 30. HC Programmed interface timing.

20.1.2 DC Programmed I/O timing

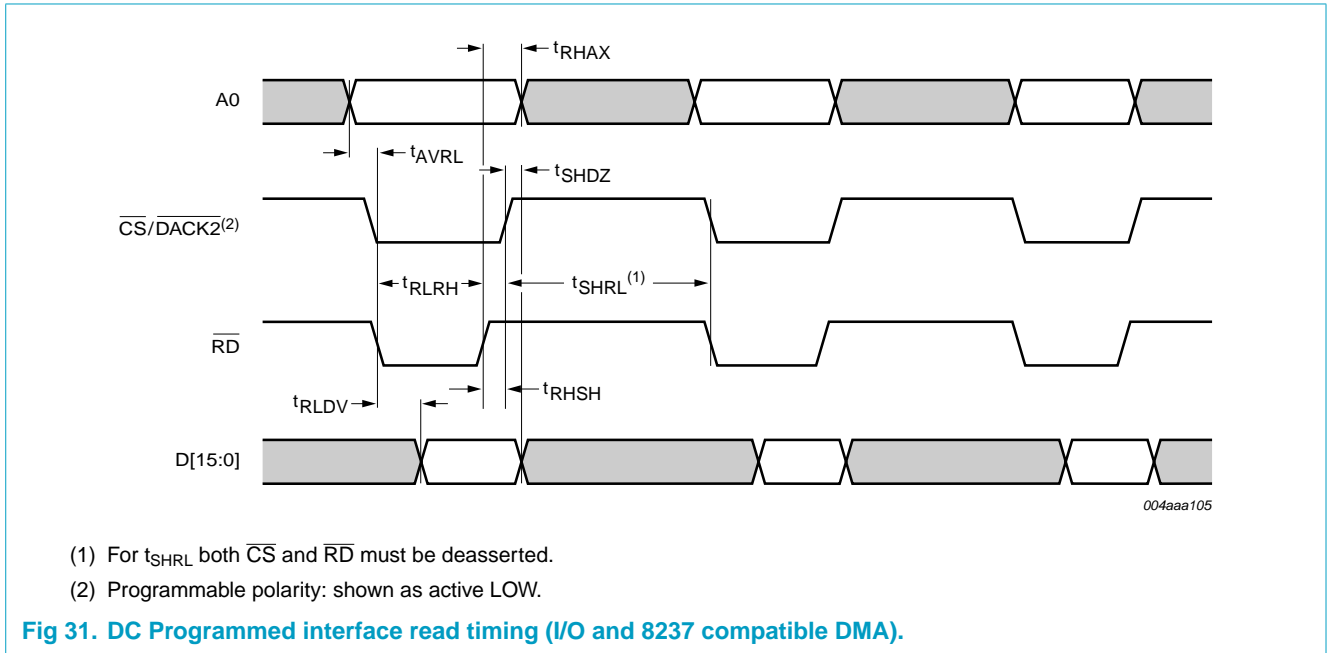
Table 152: Dynamic characteristics: DC Programmed interface timing

Symbol	Parameter	Conditions	Min	Typ	Max	Unit
Read timing (see Figure 31)						
t_{RHAX}	address hold time after \overline{RD} HIGH		0	-	-	ns
t_{AVRL}	address set-up time before \overline{RD} LOW		0	-	-	ns
t_{SHDZ}	data outputs high-impedance time after \overline{CS} HIGH		-	-	3	ns
t_{RHSH}	chip deselect time after \overline{RD} HIGH		0	-	-	ns
t_{RLRH}	\overline{RD} pulse width		25	-	-	ns
t_{RLDV}	data valid time after \overline{RD} LOW		-	-	22	ns
t_{SHRL}	\overline{CS} HIGH until next ISP1362 \overline{RD}		120	-	-	ns
$t_{SHRL} + t_{RLRH} + t_{RHSH}$	read cycle time		180	-	-	ns
Write timing (see Figure 32)						
t_{WHAX}	address hold time after \overline{WR} HIGH		1	-	-	ns
t_{AVWL}	address set-up time before \overline{WR} LOW		0	-	-	ns
t_{SHWL}	\overline{CS} HIGH until next ISP1362 \overline{WR}		120	-	-	ns
$t_{SHWL} + t_{WLWH} + t_{WHS}$	write cycle time	[1]	180	-	-	ns
t_{WLWH}	\overline{WR} pulse width		22	-	-	ns

Table 152: Dynamic characteristics: DC Programmed interface timing...continued

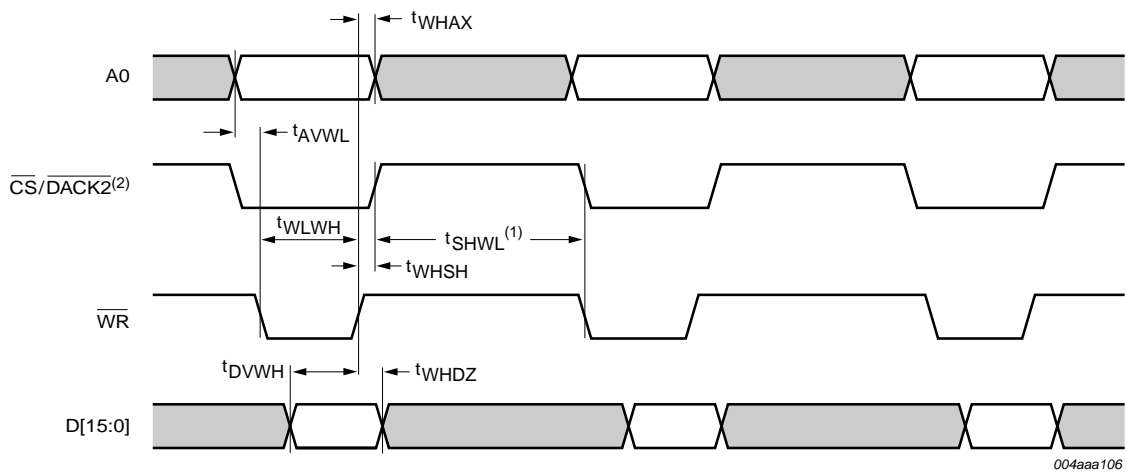
Symbol	Parameter	Conditions	Min	Typ	Max	Unit
t_{WHS}	chip deselect time after \overline{WR} HIGH		0	-	-	ns
t_{DVWH}	data set-up time before \overline{WR} HIGH		5	-	-	ns
t_{WHDZ}	data hold time after \overline{WR} HIGH		3	-	-	ns

[1] In the command to data phase, the minimum value of the write command to the read data or write data cycle time should be 205 ns.



- (1) For t_{SHRL} both \overline{CS} and \overline{RD} must be deasserted.
- (2) Programmable polarity: shown as active LOW.

Fig 31. DC Programmed interface read timing (I/O and 8237 compatible DMA).



- (1) For t_{SHWL} both \overline{CS} and \overline{WR} must be deasserted.
- (2) Programmable polarity: shown as active LOW.

Fig 32. DC Programmed interface write timing (I/O and 8237 compatible DMA).

20.2 DMA timing

20.2.1 HC single-cycle DMA timing

Table 153: Dynamic characteristics: HC single-cycle DMA timing

Symbol	Parameter	Conditions	Min	Typ	Max	Unit
Read/write timing						
t_{RL}	\overline{RD} pulse width		33	-	-	ns
t_{RLDV}	read process data set-up time		30	-	-	ns
t_{RHDZ}	read process data hold time		0	-	-	ns
t_{WSU}	write process data set-up time		5	-	-	ns
t_{WHD}	write process data hold time		0	-	-	ns
t_{AHRH}	$\overline{DACK1}$ HIGH to DREQ1 HIGH		72	-	-	ns
t_{ALRL}	$\overline{DACK1}$ LOW to DREQ1 LOW		-	-	21	ns
T_{DC}	DREQ1 cycle		[1]	-	-	ns
t_{SHAH}	$\overline{RD}/\overline{WR}$ HIGH to $\overline{DACK1}$ HIGH		0	-	-	ns
t_{RHAL}	DREQ1 HIGH to $\overline{DACK1}$ LOW		0	-	-	ns
t_{DS}	DREQ1 pulse spacing		146	-	-	ns

[1] $t_{RHAL} + t_{DS} + t_{ALRL}$

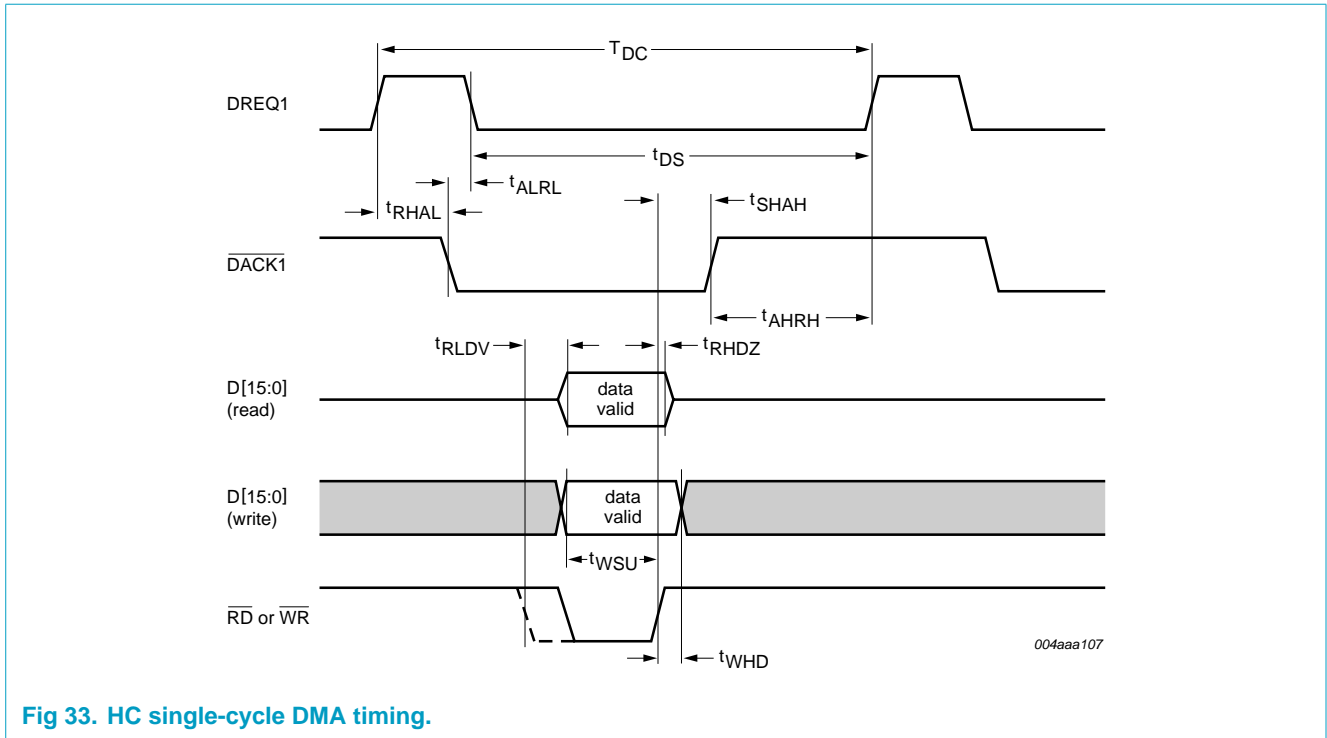


Fig 33. HC single-cycle DMA timing.

20.2.2 HC burst mode DMA timing

Table 154: Dynamic characteristics: HC burst mode DMA timing

Symbol	Parameter	Conditions	Min	Typ	Max	Unit
Read/write timing (for 4-cycle and 8-cycle burst mode)						
t_{RL}	$\overline{WR}/\overline{RD}$ LOW pulse width		42	-	-	ns
t_{RHRL}	$\overline{WR}/\overline{RD}$ HIGH to next $\overline{WR}/\overline{RD}$ LOW		60	-	-	ns
T_{RC}	$\overline{WR}/\overline{RD}$ cycle		102	-	-	ns
t_{SLRL}	$\overline{RD}/\overline{WR}$ LOW to DREQ1 LOW		22	-	64	ns
t_{SHAH}	$\overline{RD}/\overline{WR}$ HIGH to $\overline{DACK1}$ HIGH		0	-	-	ns
t_{RHAL}	DREQ1 HIGH to $\overline{DACK1}$ LOW		0	-	-	ns
T_{DC}	DREQ1 cycle		[1]	-	-	ns

Table 154: Dynamic characteristics: HC burst mode DMA timing...continued

Symbol	Parameter	Conditions	Min	Typ	Max	Unit
$t_{DS(read)}$	DREQ1 pulse spacing (read)	4-cycle burst mode	105	-	-	ns
		8-cycle burst mode	150	-	-	ns
$t_{DS(write)}$	DREQ1 pulse spacing (write)	4-cycle burst mode	72	-	-	ns
		8-cycle burst mode	167	-	-	ns

[1] $t_{SLAL} + (4 \text{ or } 8)t_{RC} + t_{DS}$

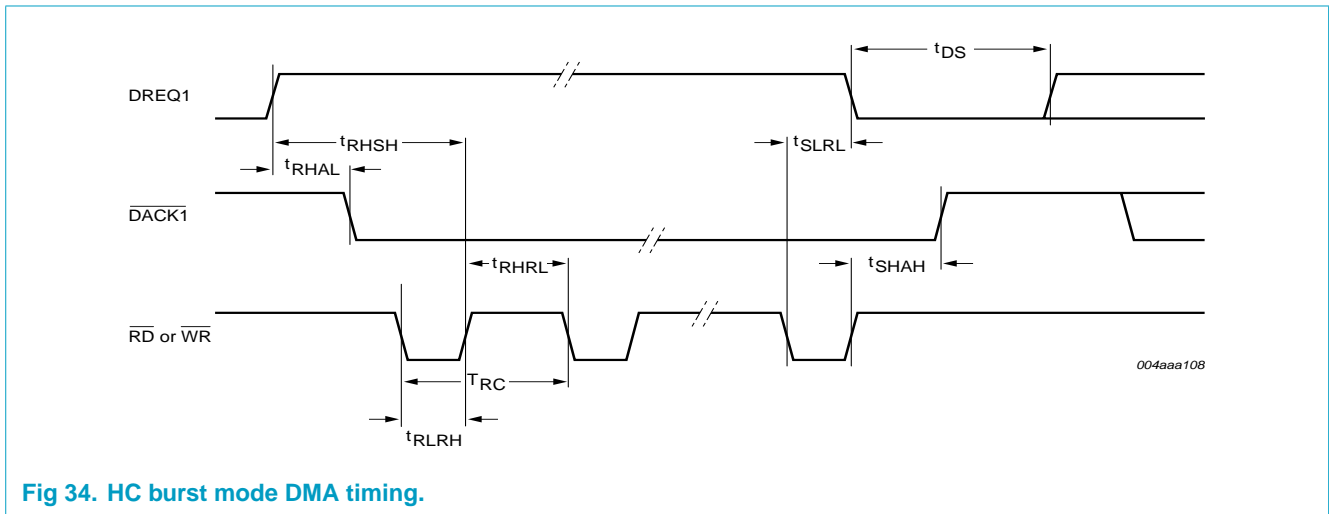
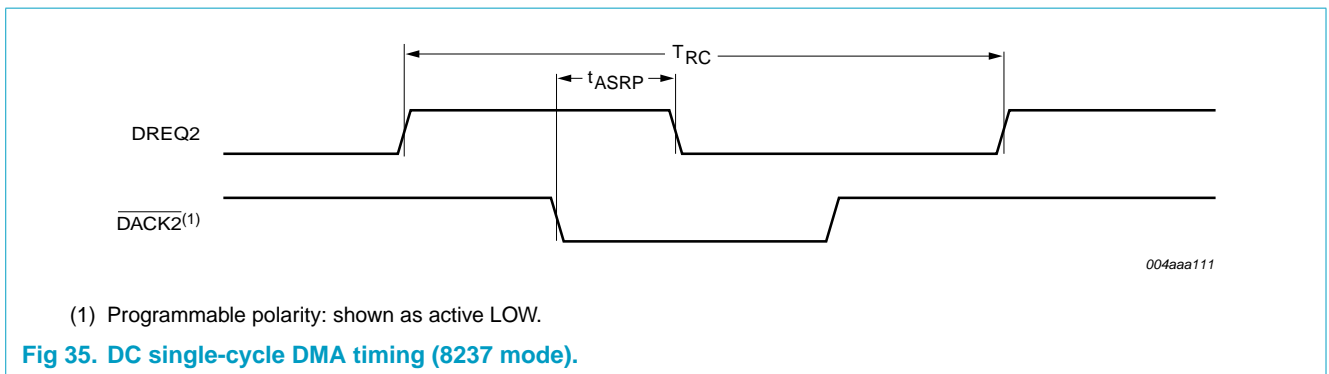


Fig 34. HC burst mode DMA timing.

20.2.3 DC single-cycle DMA timing (8237 mode)

Table 155: Dynamic characteristics: DC single-cycle DMA timing (8237 mode)

Symbol	Parameter	Conditions	Min	Typ	Max	Unit
t_{ASRP}	DREQ2 off after DACK2 on		-	-	40	ns
$T_{cy(DREQ2)}$	cycle time signal DREQ2		180	-	-	ns



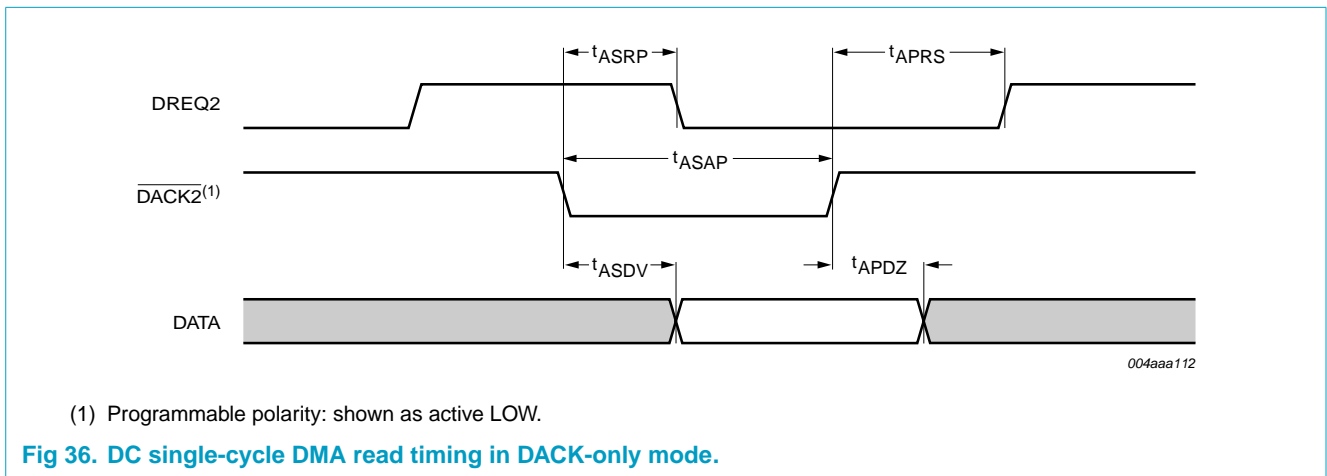
(1) Programmable polarity: shown as active LOW.

Fig 35. DC single-cycle DMA timing (8237 mode).

20.2.4 DC single-cycle DMA read timing in DACK-only mode

Table 156: Dynamic characteristics: DC single-cycle DMA read timing in DACK-only mode

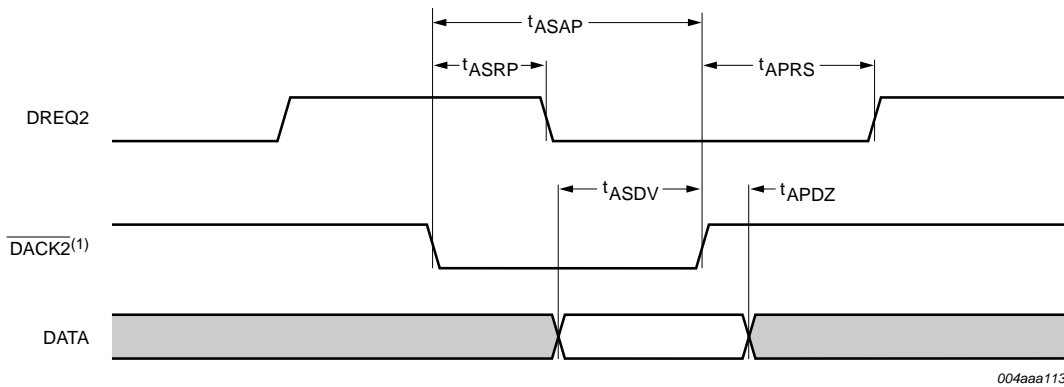
Symbol	Parameter	Conditions	Min	Typ	Max	Unit
t_{ASRP}	DREQ off after \overline{DACK} on		-	-	40	ns
t_{ASAP}	\overline{DACK} pulse width		25	-	-	ns
$t_{ASAP} + t_{APRS}$	DREQ on after \overline{DACK} off		180	-	-	ns
t_{ASDV}	data valid after \overline{DACK} on		-	-	22	ns
t_{APDZ}	data hold after \overline{DACK} off		-	-	3	ns



20.2.5 DC single-cycle DMA write timing in DACK-only mode

Table 157: Dynamic characteristics: DC single-cycle DMA write timing in DACK-only mode

Symbol	Parameter	Conditions	Min	Typ	Max	Unit
t_{ASRP}	DREQ2 off after $\overline{DACK2}$ on		-	-	40	ns
t_{ASAP}	$\overline{DACK2}$ pulse width		25	-	-	ns
$t_{ASAP} + t_{APRS}$	DREQ2 on after $\overline{DACK2}$ off		180	-	-	ns
t_{ASDV}	data valid after $\overline{DACK2}$ on		-	-	22	ns
t_{APDZ}	data hold after $\overline{DACK2}$ off		-	-	3	ns



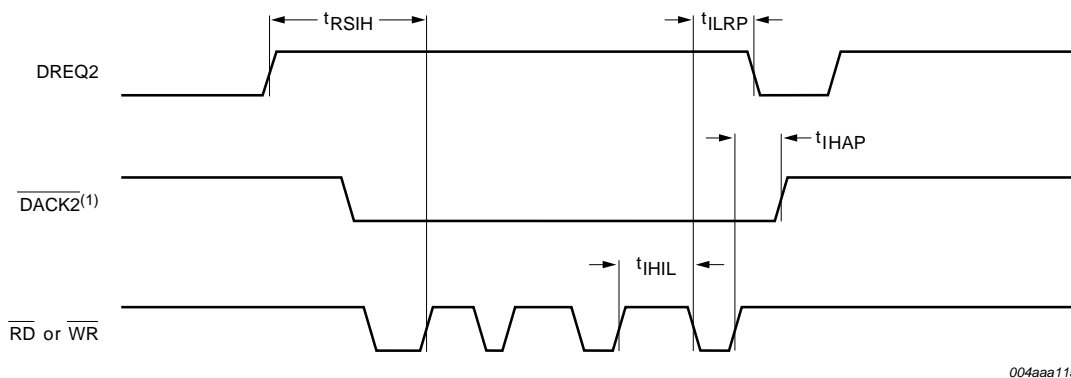
(1) Programmable polarity: shown as active LOW.

Fig 37. DC single-cycle DMA write timing in DACK-only mode.

20.2.6 DC burst mode DMA timing

Table 158: Dynamic characteristics: DC burst mode DMA timing

Symbol	Parameter	Conditions	Min	Typ	Max	Unit
t_{RSIH}	input $\overline{RD}/\overline{WR}$ HIGH after DREQ on		22	-	-	ns
t_{ILRP}	DREQ off after input $\overline{RD}/\overline{WR}$ LOW		-	-	-	ns
t_{IHAP}	\overline{DACK} off after input $\overline{RD}/\overline{WR}$ HIGH		0	-	60	ns
t_{IHIL}	DMA burst repeat interval (input $\overline{RD}/\overline{WR}$ HIGH to LOW)	t_{RL} or t_{WL} is 30 ns (min)	160	-	-	ns



(1) Programmable polarity: shown as active LOW.

Fig 38. DC burst mode DMA timing.

21. Package outline

LQFP64: plastic low profile quad flat package; 64 leads; body 10 x 10 x 1.4 mm

SOT314-2

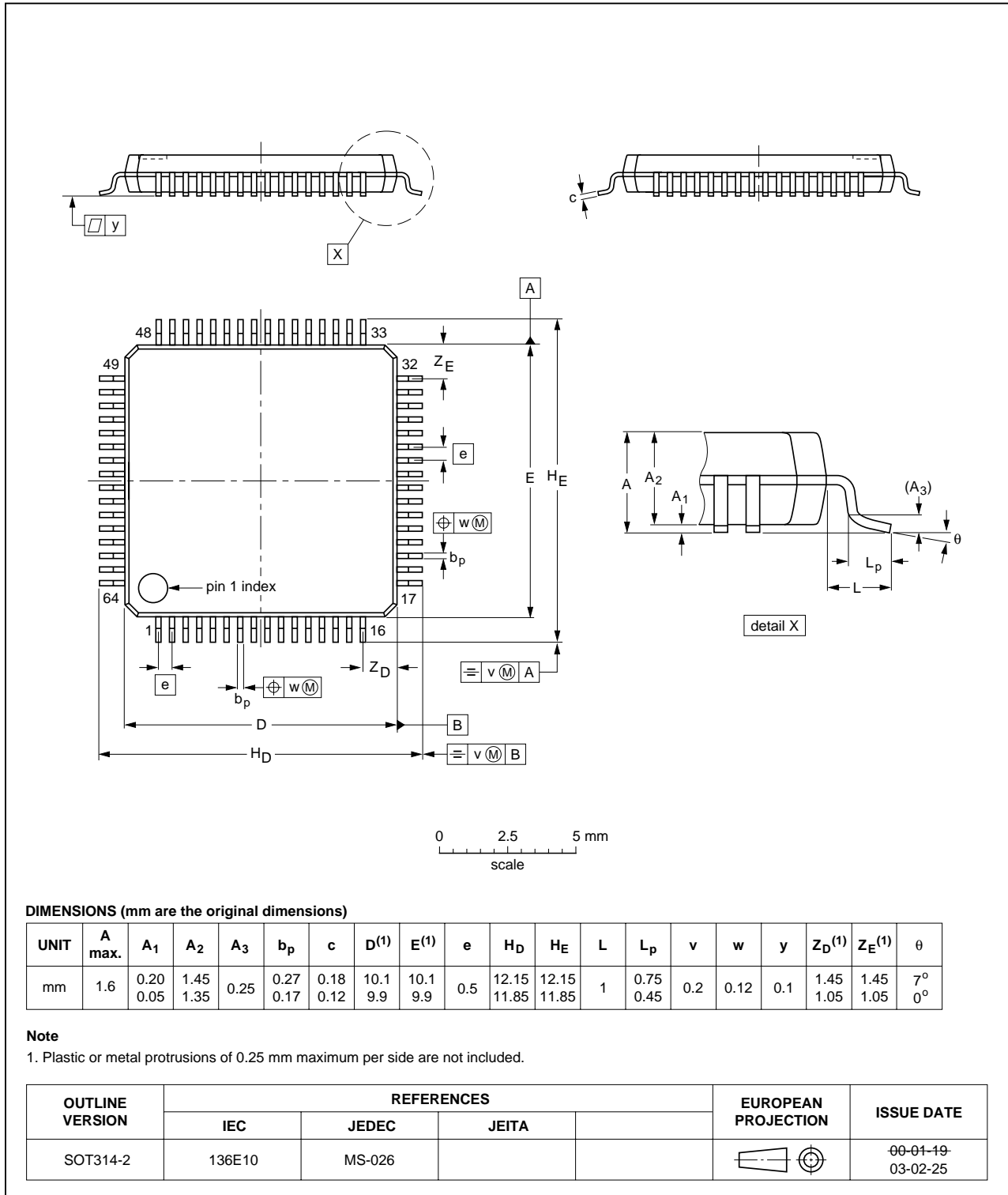


Fig 39. LQFP64 package outline.

TFBGA64: plastic thin fine-pitch ball grid array package; 64 balls; body 6 x 6 x 0.8 mm

SOT543-1

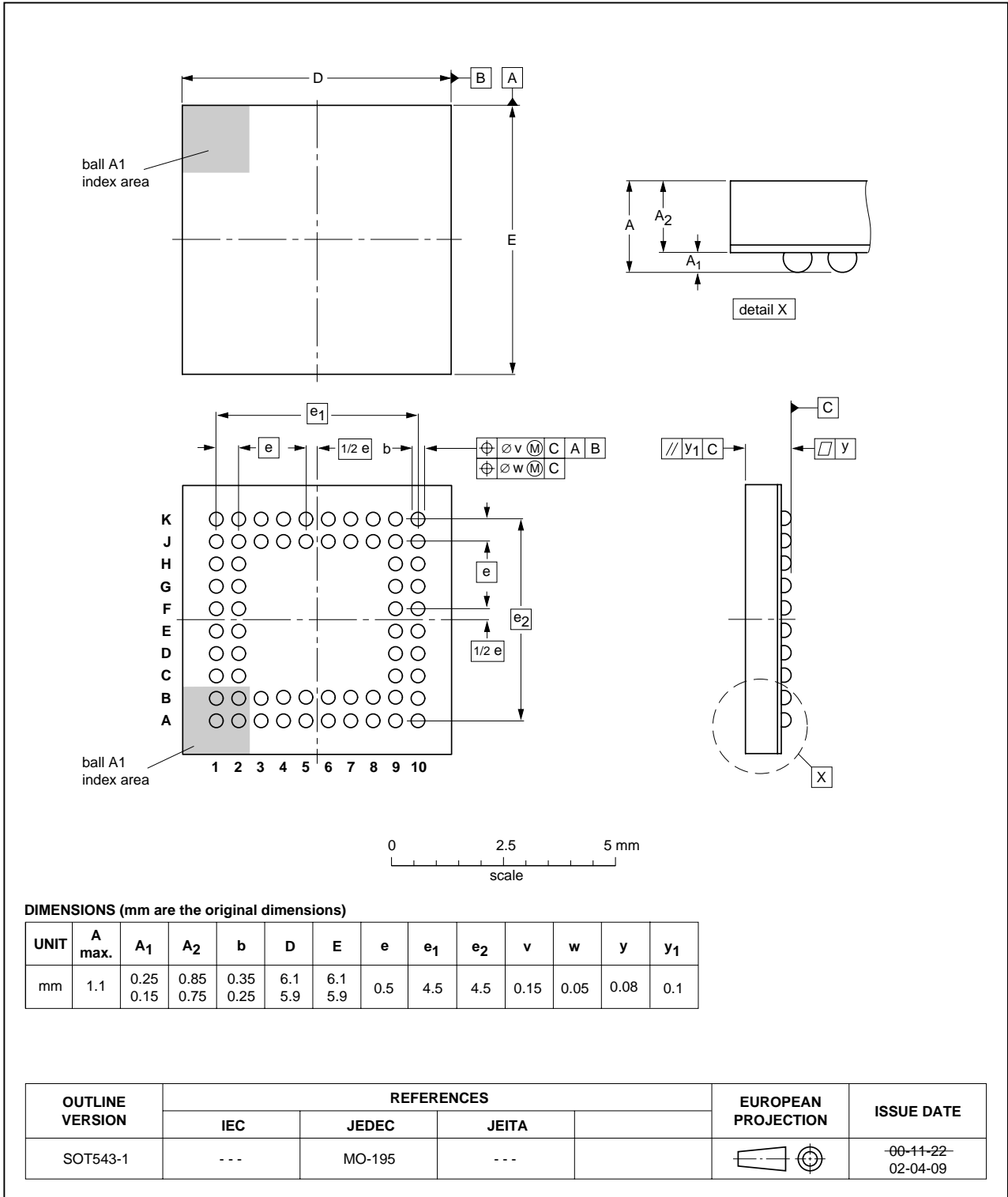


Fig 40. TFBGA64 package outline.

22. Soldering

22.1 Introduction to soldering surface mount packages

This text gives a very brief insight to a complex technology. A more in-depth account of soldering ICs can be found in our *Data Handbook IC26; Integrated Circuit Packages* (document order number 9398 652 90011).

There is no soldering method that is ideal for all surface mount IC packages. Wave soldering can still be used for certain surface mount ICs, but it is not suitable for fine pitch SMDs. In these situations reflow soldering is recommended. In these situations reflow soldering is recommended.

22.2 Reflow soldering

Reflow soldering requires solder paste (a suspension of fine solder particles, flux and binding agent) to be applied to the printed-circuit board by screen printing, stencilling or pressure-syringe dispensing before package placement. Driven by legislation and environmental forces the worldwide use of lead-free solder pastes is increasing.

Several methods exist for reflowing; for example, convection or convection/infrared heating in a conveyor type oven. Throughput times (preheating, soldering and cooling) vary between 100 and 200 seconds depending on heating method.

Typical reflow peak temperatures range from 215 to 270 °C depending on solder paste material. The top-surface temperature of the packages should preferably be kept:

- below 225 °C (SnPb process) or below 245 °C (Pb-free process)
 - for all BGA, HTSSON..T and SSOP..T packages
 - for packages with a thickness ≥ 2.5 mm
 - for packages with a thickness < 2.5 mm and a volume ≥ 350 mm³ so called thick/large packages.
- below 240 °C (SnPb process) or below 260 °C (Pb-free process) for packages with a thickness < 2.5 mm and a volume < 350 mm³ so called small/thin packages.

Moisture sensitivity precautions, as indicated on packing, must be respected at all times.

22.3 Wave soldering

Conventional single wave soldering is not recommended for surface mount devices (SMDs) or printed-circuit boards with a high component density, as solder bridging and non-wetting can present major problems.

To overcome these problems the double-wave soldering method was specifically developed.

If wave soldering is used the following conditions must be observed for optimal results:

- Use a double-wave soldering method comprising a turbulent wave with high upward pressure followed by a smooth laminar wave.

- For packages with leads on two sides and a pitch (e):
 - larger than or equal to 1.27 mm, the footprint longitudinal axis is **preferred** to be parallel to the transport direction of the printed-circuit board;
 - smaller than 1.27 mm, the footprint longitudinal axis **must** be parallel to the transport direction of the printed-circuit board.

The footprint must incorporate solder thieves at the downstream end.

- For packages with leads on four sides, the footprint must be placed at a 45° angle to the transport direction of the printed-circuit board. The footprint must incorporate solder thieves downstream and at the side corners.

During placement and before soldering, the package must be fixed with a droplet of adhesive. The adhesive can be applied by screen printing, pin transfer or syringe dispensing. The package can be soldered after the adhesive is cured.

Typical dwell time of the leads in the wave ranges from 3 to 4 seconds at 250 °C or 265 °C, depending on solder material applied, SnPb or Pb-free respectively.

A mildly-activated flux will eliminate the need for removal of corrosive residues in most applications.

22.4 Manual soldering

Fix the component by first soldering two diagonally-opposite end leads. Use a low voltage (24 V or less) soldering iron applied to the flat part of the lead. Contact time must be limited to 10 seconds at up to 300 °C.

When using a dedicated tool, all other leads can be soldered in one operation within 2 to 5 seconds between 270 and 320 °C.

22.5 Package related soldering information

Table 159: Suitability of surface mount IC packages for wave and reflow soldering methods

Package ^[1]	Soldering method	
	Wave	Reflow ^[2]
BGA, HTSSON..T ^[3] , LBGA, LFBGA, SQFP, SSOP..T ^[3] , TFBGA, USON, VFBGA	not suitable	suitable
DHVQFN, HBCC, HBGA, HLQFP, HSO, HSOP, HSQFP, HSSON, HTQFP, HTSSOP, HVQFN, HVSON, SMS	not suitable ^[4]	suitable
PLCC ^[5] , SO, SOJ	suitable	suitable
LQFP, QFP, TQFP	not recommended ^{[5][6]}	suitable
SSOP, TSSOP, VSO, VSSOP	not recommended ^[7]	suitable
CWQCCN..L ^[8] , PMFP ^[9] , WQCCN..L ^[8]	not suitable	not suitable

[1] For more detailed information on the BGA packages refer to the *(LF)BGA Application Note* (AN01026); order a copy from your Philips Semiconductors sales office.

[2] All surface mount (SMD) packages are moisture sensitive. Depending upon the moisture content, the maximum temperature (with respect to time) and body size of the package, there is a risk that internal or external package cracks may occur due to vaporization of the moisture in them (the so called popcorn effect). For details, refer to the Drypack information in the *Data Handbook IC26; Integrated Circuit Packages; Section: Packing Methods*.

- [3] These transparent plastic packages are extremely sensitive to reflow soldering conditions and must on no account be processed through more than one soldering cycle or subjected to infrared reflow soldering with peak temperature exceeding $217\text{ °C} \pm 10\text{ °C}$ measured in the atmosphere of the reflow oven. The package body peak temperature must be kept as low as possible.
- [4] These packages are not suitable for wave soldering. On versions with the heatsink on the bottom side, the solder cannot penetrate between the printed-circuit board and the heatsink. On versions with the heatsink on the top side, the solder might be deposited on the heatsink surface.
- [5] If wave soldering is considered, then the package must be placed at a 45° angle to the solder wave direction. The package footprint must incorporate solder thieves downstream and at the side corners.
- [6] Wave soldering is suitable for LQFP, QFP and TQFP packages with a pitch (e) larger than 0.8 mm; it is definitely not suitable for packages with a pitch (e) equal to or smaller than 0.65 mm.
- [7] Wave soldering is suitable for SSOP, TSSOP, VSO and VSOP packages with a pitch (e) equal to or larger than 0.65 mm; it is definitely not suitable for packages with a pitch (e) equal to or smaller than 0.5 mm.
- [8] Image sensor packages in principle should not be soldered. They are mounted in sockets or delivered pre-mounted on flex foil. However, the image sensor package can be mounted by the client on a flex foil by using a hot bar soldering process. The appropriate soldering profile can be provided on request.
- [9] Hot bar soldering or manual soldering is suitable for PMFP packages.

23. Revision history

Table 160: Revision history

Rev	Date	CPCN	Description
04	20041224	200412031	Product data (9397 750 13957) Modifications: <ul style="list-style-type: none">• Section 12.8.1 “Using internal OC detection circuit”: changed source to drain and drain to source in the third paragraph second sentence and the figure.• Table 152 “Dynamic characteristics: DC Programmed interface timing”: changed the min value of t_{RHAX} from 3 ns to 0 ns and of t_{WHAX} from 3 ns to 1 ns, and added t_{SHRL} and t_{SHWL}.
03	20040106	-	Product data (9397 750 12337)
02	20030219	-	Product data (9397 750 10767)
01	20021120	-	Preliminary data (9397 750 10087)

24. Data sheet status

Level	Data sheet status ^[1]	Product status ^{[2][3]}	Definition
I	Objective data	Development	This data sheet contains data from the objective specification for product development. Philips Semiconductors reserves the right to change the specification in any manner without notice.
II	Preliminary data	Qualification	This data sheet contains data from the preliminary specification. Supplementary data will be published at a later date. Philips Semiconductors reserves the right to change the specification without notice, in order to improve the design and supply the best possible product.
III	Product data	Production	This data sheet contains data from the product specification. Philips Semiconductors reserves the right to make changes at any time in order to improve the design, manufacturing and supply. Relevant changes will be communicated via a Customer Product/Process Change Notification (CPCN).

[1] Please consult the most recently issued data sheet before initiating or completing a design.

[2] The product status of the device(s) described in this data sheet may have changed since this data sheet was published. The latest information is available on the Internet at URL <http://www.semiconductors.philips.com>.

[3] For data sheets describing multiple type numbers, the highest-level product status determines the data sheet status.

25. Definitions

Short-form specification — The data in a short-form specification is extracted from a full data sheet with the same type number and title. For detailed information see the relevant data sheet or data handbook.

Limiting values definition — Limiting values given are in accordance with the Absolute Maximum Rating System (IEC 60134). Stress above one or more of the limiting values may cause permanent damage to the device. These are stress ratings only and operation of the device at these or at any other conditions above those given in the Characteristics sections of the specification is not implied. Exposure to limiting values for extended periods may affect device reliability.

Application information — Applications that are described herein for any of these products are for illustrative purposes only. Philips Semiconductors make no representation or warranty that such applications will be suitable for the specified use without further testing or modification.

26. Disclaimers

Life support — These products are not designed for use in life support appliances, devices, or systems where malfunction of these products can reasonably be expected to result in personal injury. Philips Semiconductors customers using or selling these products for use in such applications do so at their own risk and agree to fully indemnify Philips Semiconductors for any damages resulting from such application.

Right to make changes — Philips Semiconductors reserves the right to make changes in the products - including circuits, standard cells, and/or software - described or contained herein in order to improve design and/or performance. When the product is in full production (status 'Production'), relevant changes will be communicated via a Customer Product/Process Change Notification (CPCN). Philips Semiconductors assumes no responsibility or liability for the use of any of these products, conveys no licence or title under any patent, copyright, or mask work right to these products, and makes no representations or warranties that these products are free from patent, copyright, or mask work right infringement, unless otherwise specified.

27. Trademarks

ARM — is a trademark of ARM Ltd.

DragonBall — is a trademark of Motorola, Inc.

Fujitsu — is a registered trademark of Fujitsu Corp.

GoodLink — is a trademark of Koninklijke Philips Electronics N.V.

Hitachi — is a registered trademark of Hitachi Ltd.

Intel — is a registered trademark of Intel Corp.

Motorola — is a registered trademark of Motorola, Inc.

NEC — is a registered trademark of NEC Corp.

PowerPC — is a trademark of IBM Corp.

SoftConnect — is a trademark of Koninklijke Philips Electronics N.V.

SPARClite — is a registered trademark of Sparc International.

StrongARM — is a trademark of ARM Ltd.

Toshiba — is a registered trademark of Toshiba Corp.

Contact information

For additional information, please visit <http://www.semiconductors.philips.com>.

For sales office addresses, send e-mail to: sales.addresses@www.semiconductors.philips.com.

Fax: +31 40 27 24825

Contents

1	General description	1	13.4	DC direct memory access (DMA) transfer	54
2	Features	1	13.5	ISP1362 DC suspend and resume	58
3	Applications	3	14	OTG registers	60
3.1	Host/peripheral roles	3	14.1	OtgControl register (R/W: 62H/E2H)	60
4	Abbreviations	4	14.2	OtgStatus register (R: 67H)	62
5	Ordering information	4	14.3	OtgInterrupt register (R/W: 68H/E8H)	63
6	Block diagram	5	14.4	OtgInterruptEnable register (R/W: 69H/E9H)	66
7	Pinning information	6	14.5	OtgTimer register (R/W: 6AH/EAH)	67
7.1	Pinning	6	14.6	OtgAltTimer register (R/W: 6CH/ECH)	68
7.2	Pin description	8	15	HC registers	69
8	Functional description	13	15.1	HC control and status registers	71
8.1	On-The-Go (OTG) controller	13	15.2	HC Frame Counter registers	78
8.2	Advanced Philips Slave Host Controller (PSHC)	13	15.3	HC Root Hub registers	82
8.3	Philips Device Controller (DC)	13	15.4	HC DMA and interrupt control registers	92
8.4	Phase-Locked Loop (PLL) clock multiplier	13	15.5	HC miscellaneous registers	98
8.5	USB and OTG transceivers	13	15.6	HC buffer RAM control registers	99
8.6	Overcurrent protection	13	15.7	Isochronous (ISO) transfer registers	101
8.7	Bus interface	13	15.8	Interrupt transfer registers	103
8.8	DC and HC buffer memory	13	15.9	Control and bulk transfer (aperiodic transfer) registers	106
8.9	GoodLink	14	16	Device Controller (DC) registers	110
8.10	Charge pump	14	16.1	Initialization commands	113
9	Host and device bus interface	14	16.2	Data flow commands	119
9.1	Memory organization	15	16.3	General commands	123
9.2	PIO access mode	19	17	Limiting values	129
9.3	DMA mode	20	18	Recommended operating conditions	129
9.4	PIO access to internal control registers	21	19	Static characteristics	130
9.5	PIO access to the buffer memory	24	20	Dynamic characteristics	134
9.6	Setting up a DMA transfer	26	20.1	Programmed I/O timing	135
9.7	Interrupts	27	20.2	DMA timing	138
10	Power-on reset (POR)	30	21	Package outline	143
11	On-The-Go (OTG) controller	31	22	Soldering	145
11.1	Introduction	31	22.1	Introduction to soldering surface mount packages	145
11.2	Dual-role device	32	22.2	Reflow soldering	145
11.3	Session Request Protocol (SRP)	33	22.3	Wave soldering	145
11.4	Host Negotiation Protocol (HNP)	34	22.4	Manual soldering	146
11.5	Power saving in the idle state and during wake-up	38	22.5	Package related soldering information	146
11.6	Current capacity of the OTG charge pump	38	23	Revision history	148
12	USB Host Controller (HC)	39	24	Data sheet status	149
12.1	USB states of the HC	39	25	Definitions	149
12.2	USB traffic generation	40	26	Disclaimers	149
12.3	USB ports	41	27	Trademarks	149
12.4	Philips Transfer Descriptor (PTD)	41			
12.5	Features of the control and bulk transfer (aperiodic transfer)	44			
12.6	Features of the interrupt transfer	46			
12.7	Features of the isochronous (ISO) transfer	46			
12.8	Overcurrent protection circuit	46			
12.9	ISP1362 HC Power Management	49			
13	USB Device Controller (DC)	50			
13.1	DC data transfer operation	50			
13.2	Device DMA transfer	51			
13.3	Endpoint description	52			



PHILIPS

Let's make things better.