

Features

- 300 Output Gate Driver
- 42V HV Output Drive Capable (V_{DD} to V_{EE})
- 3.3V Logic Operation
- Internal Pattern Generator
- Reset, Blanking, Polarity Inversion
- Bypass Function
- Cascadeable With Bidirectional Shift Control

Applications

- eBooks / eReaders
- Electronic Shelf Labels / Point Of Purchase Displays
- Mobile Phones / Portable Hand Held Devices
- Smart Cards
- Signage

Ordering Information

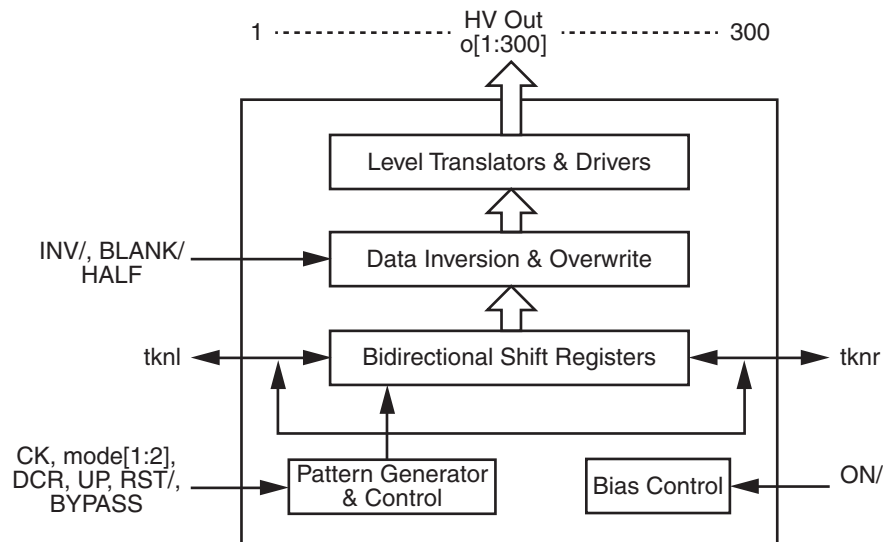
Part	Description
IXEP2300WB	Gold Bumped Die / Wafer Form
IXEP2300XB	Gold Bumped Die / Waffle Pack

Description

The IXEP2300 is a 300 channel, 42V display gate driver. It has an internal pattern generator for applications where minimal controller interface is desirable. It also has global blanking and inversion to facilitate powering up and down the display in the inactive state. The IXEP2300 also features token passing capability, and a sleep mode to reduce power consumption.



Figure 1. Functional Block Diagram



Click here to request a full data sheet

IXYS Integrated Circuits Division provides its clients and potential customers with the best and most complete data and specifications possible, which might include proprietary information. Therefore, we require that the linked form be completed in order to request a comprehensive datasheet.

If you have special requests or if you don't see the data sheet you need, please feel free to ask in the Notes section of the form, or simply call us.

We do not share your information with anyone, and you will not receive unsolicited email.

For additional information please visit www.ixysic.com

IXYS Integrated Circuits Division makes no representations or warranties with respect to the accuracy or completeness of the contents of this publication and reserves the right to make changes to specifications and product descriptions at any time without notice. Neither circuit patent licenses or indemnity are expressed or implied. Except as set forth in IXYS Integrated Circuits Division's Standard Terms and Conditions of Sale, IXYS Integrated Circuits Division assumes no liability whatsoever, and disclaims any express or implied warranty relating to its products, including, but not limited to, the implied warranty of merchantability, fitness for a particular purpose, or infringement of any intellectual property right.

The products described in this document are not designed, intended, authorized, or warranted for use as components in systems intended for surgical implant into the body, or in other applications intended to support or sustain life, or where malfunction of IXYS Integrated Circuits Division's product may result in direct physical harm, injury, or death to a person or severe property or environmental damage. IXYS Integrated Circuits Division reserves the right to discontinue or make changes to its products at any time without notice.

Specification: PB-IXEP2300-R01
©Copyright 2013, IXYS Integrated Circuits Division
All rights reserved. Printed in USA.
5/9/2013