

isc N-Channel MOSFET Transistor
IXTH30N60P
• FEATURES

- With TO-247 packaging
- With low gate drive requirements
- Easy to drive
- 100% avalanche tested
- Minimum Lot-to-Lot variations for robust device performance and reliable operation

• APPLICATIONS

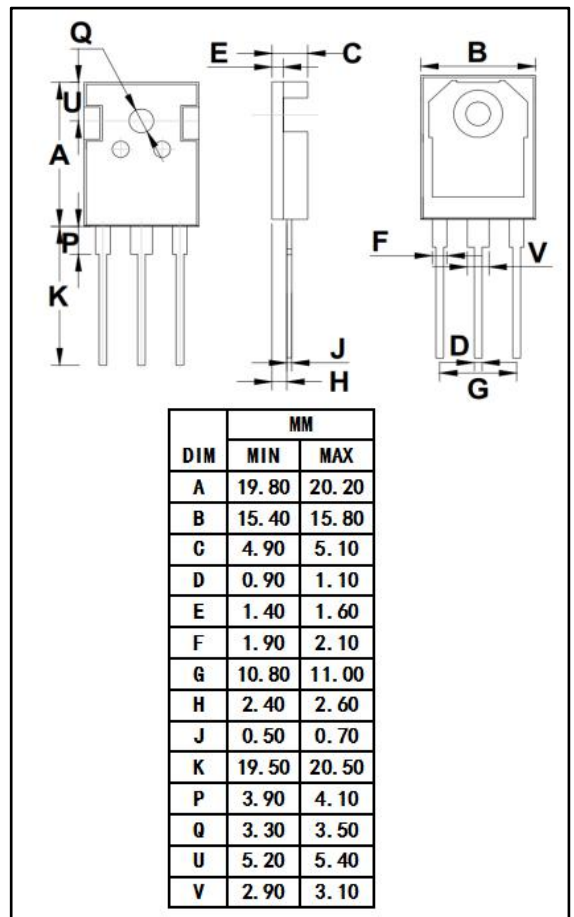
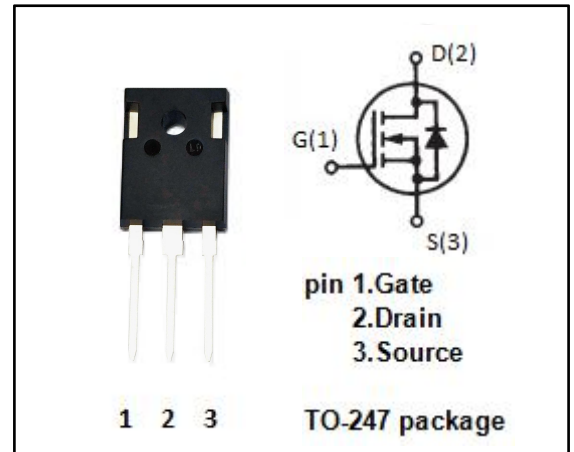
- Switching applications

• ABSOLUTE MAXIMUM RATINGS(T_a=25°C)

SYMBOL	PARAMETER	VALUE	UNIT
V _{DSS}	Drain-Source Voltage	600	V
V _{GSS}	Gate-Source Voltage	± 30	V
I _D	Drain Current-Continuous	30	A
I _{DM}	Drain Current-Single Pulsed	80	A
P _D	Total Dissipation	540	W
T _j	Operating Junction Temperature	-55~150	°C
T _{stg}	Storage Temperature	-55~150	°C

• THERMAL CHARACTERISTICS

SYMBOL	PARAMETER	MAX	UNIT
R _{th(ch-c)}	Channel-to-case thermal resistance	0.23	°C/W



isc N-Channel MOSFET Transistor

IXTH30N60P

ELECTRICAL CHARACTERISTICS

T_c=25°C unless otherwise specified

SYMBOL	PARAMETER	CONDITIONS	MIN	TYP	MAX	UNIT
B _V DSS	Drain-Source Breakdown Voltage	V _{GS} =0V; I _D = 0.25mA	600			V
V _{GS(th)}	Gate Threshold Voltage	V _{DS} = ± 30V; I _D =0.25mA	3		5	V
R _{DS(on)}	Drain-Source On-Resistance	V _{GS} = 10V; I _D =15A			240	mΩ
I _{GSS}	Gate-Source Leakage Current	V _{GS} = ± 30V; V _{DS} = 0V			± 0.1	μA
I _{DSS}	Drain-Source Leakage Current	V _{DS} = 600V; V _{GS} = 0V@T _c =25°C T _c =125°C			25 250	μA
V _{SDF}	Diode forward voltage	I _{SD} =30A, V _{GS} = 0 V			1.5	V

NOTICE:

ISC reserves the rights to make changes of the content herein the datasheet at any time without notification. The information contained herein is presented only as a guide for the applications of our products.

ISC products are intended for usage in general electronic equipment. The products are not designed for use in equipment which require specialized quality and/or reliability, or in equipment which could have applications in hazardous environments, aerospace industry, or medical field. Please contact us if you intend our products to be used in these special applications.

ISC makes no warranty or guarantee regarding the suitability of its products for any particular purpose, nor does ISC assume any liability arising from the application or use of any products, and specifically disclaims any and all liability, including without limitation special, consequential or incidental damages.