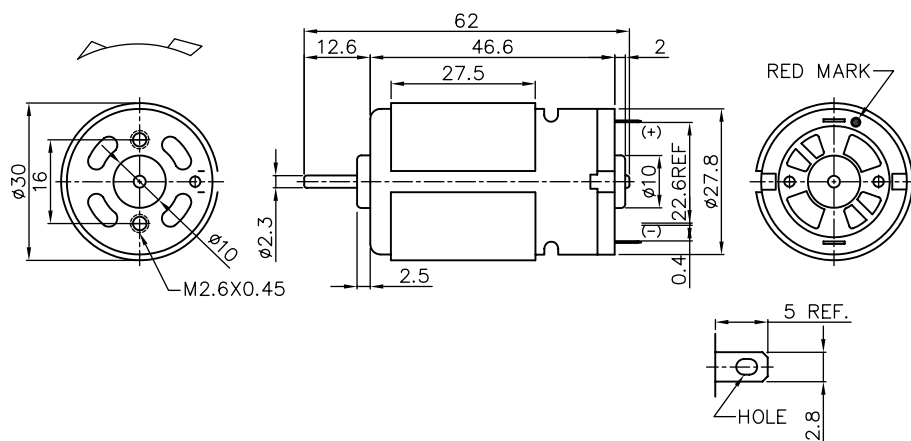


J_3 series Ø30 mm 1.5-39 W

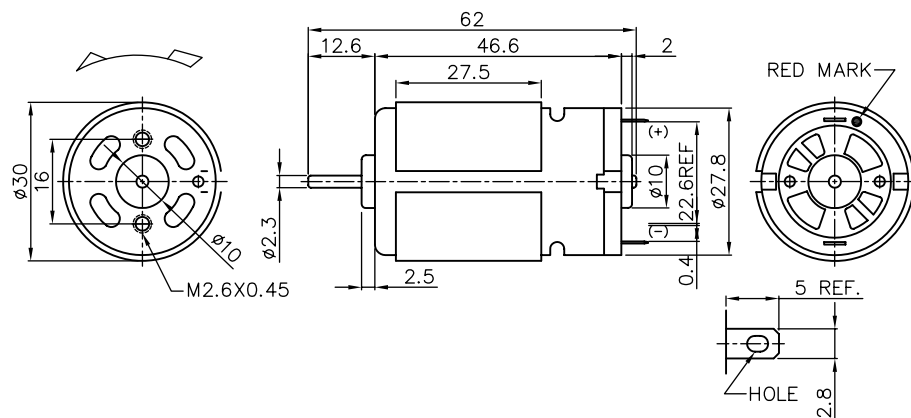


Model - □ - □
 Carbon brush = C V = Varistor
 Metal brush = M C = Capacitor

MOTOR DATA

Part name	JD3-5520-CC	JD3-4532-CC	JD3-14260-CVC	JD3-24135-CVC
Diameter (mm)	30	30	30	30
Length (mm)	46.6	46.6	46.6	46.6
Nominal voltage (V)	7.2	9.6	12	12
Nominal speed (rpm)	19500	16800	2300	10661
Nominal torque (mNm)	18.7	23.9	6.3	15.7
Nominal current A	8.2	5.6	0.2	2.0
No load speed (rpm)	23500	20000	3000	12500
No load current A	1.50	0.80	0.06	0.35
Stall torque (mNm)	119.0	162.9	32.8	121.6
Starting current (A)	42.5	36.4	0.9	13.3
Output (W)	38	39	1.5	18
Efficiency (%)	66	72	60	77
Operating temperature deg. C	-10..+60	-10..+60	-10..+60	-10..+60

J_5 series Ø30 mm 7.2-19 W



Model - □ - □
 Carbon brush = C V = Varistor
 Metal brush = M C = Capacitor

MOTOR DATA

Part name	JD5-14200-CVC	JD5-3723-CVC	JD5-2655-CVC	JD5-18115-CVC
Diameter (mm)	30	30	30	30
Length (mm)	46.5	46.6	46.6	46.6
Nominal voltage (V)	3.6	6	12	24
Nominal speed (rpm)	16340	7500	5900	6262
Nominal torque (mNm)	11.1	13.3	12.1	11.0
Nominal current A	8.9	2.5	0.9	0.4
No load speed (rpm)	20000	9000	7200	7200
No load current A	2.00	0.45	0.15	0.09
Stall torque (mNm)	61.4	93.5	78.3	88.0
Starting current (A)	40.1	15.0	4.8	2.8
Output (W)	19	11	7.5	7.2
Efficiency (%)	59	72	73	74
Operating temperature deg. C	-10..+60	-10..+60	-10..+60	-10..+60