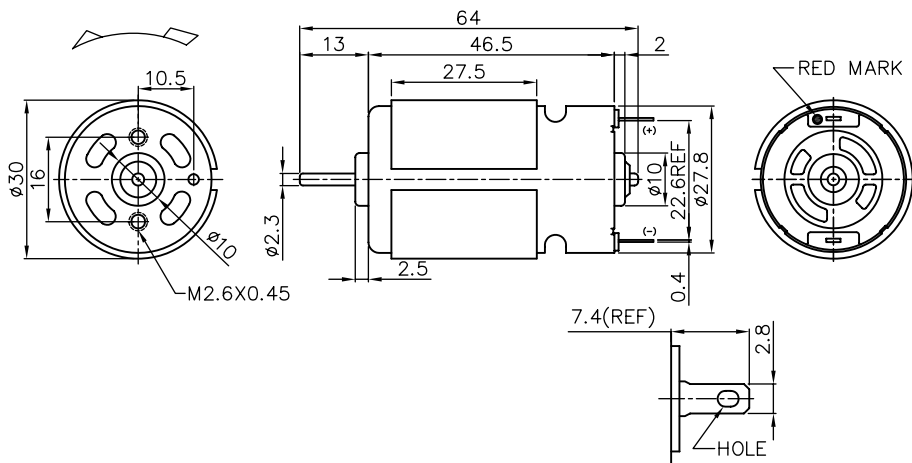


## J\_3FN series Ø30 mm 38-52 W

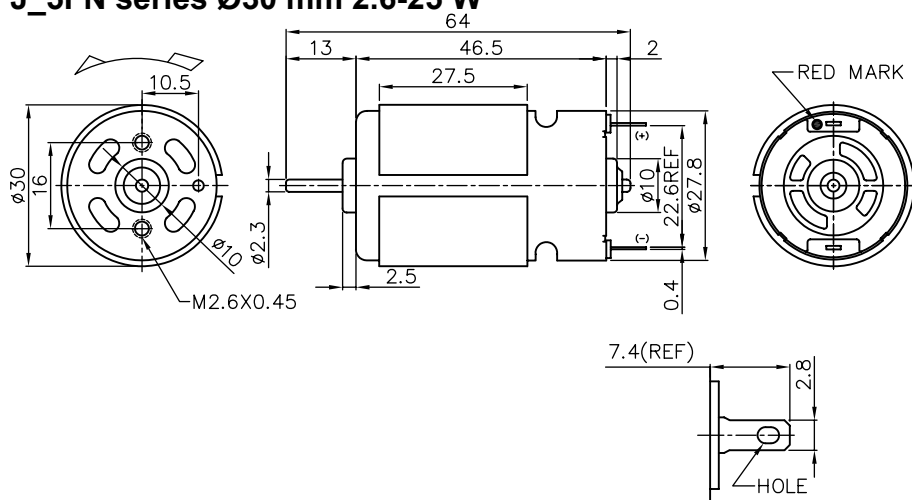


Model -  -   
 Carbon brush = C      V = Varistor  
 Metal brush = M      C = Capacitor

### MOTOR DATA

Part name	JD3FN-5518-CC	JD3FN-5025-CC		
Diameter (mm)	30	30		
Length (mm)	46.5	46.5		
Nominal voltage (V)	6	9.6		
Nominal speed (rpm)	17600	21800		
Nominal torque (mNm)	20.5	22.6		
Nominal current A	8.8	7.8		
No load speed (rpm)	20800	25500		
No load current A	1.20	1.40		
Stall torque (mNm)	134.4	164.0		
Starting current (A)	50.8	47.8		
Output (W)	38	52		
Efficiency (%)	72	70		
Operating temperature deg. C	-10..+60	-10..+60		

## J\_5FN series Ø30 mm 2.6-25 W



Model -  -   
 Carbon brush = C      V = Varistor  
 Metal brush = M      C = Capacitor

### MOTOR DATA

Part name	JD5FN-3230-CVC	JC5FN-2655-CVC	JD5FN-14180-CVC	JD5FN-2466-CVC
Diameter (mm)	30	30	30	30
Length (mm)	46.5	46.5	46.5	46.5
Nominal voltage (V)	6	12	24	30
Nominal speed (rpm)	5600	5700	3900	13900
Nominal torque (mNm)	10.3	14.8	6.2	17.0
Nominal current A	1.46	1.0	0.1	1.1
No load speed (rpm)	6400	6700	4200	15700
No load current A	0.25	0.16	0.06	0.18
Stall torque (mNm)	68.6	106.3	60.6	162.3
Starting current (A)	8.4	6.3	1.2	9.1
Output (W)	6.1	8.9	2.6	25
Efficiency (%)	70	71	77	77
Operating temperature deg. C	-10..+60	-10..+60	-10..+60	-10..+60