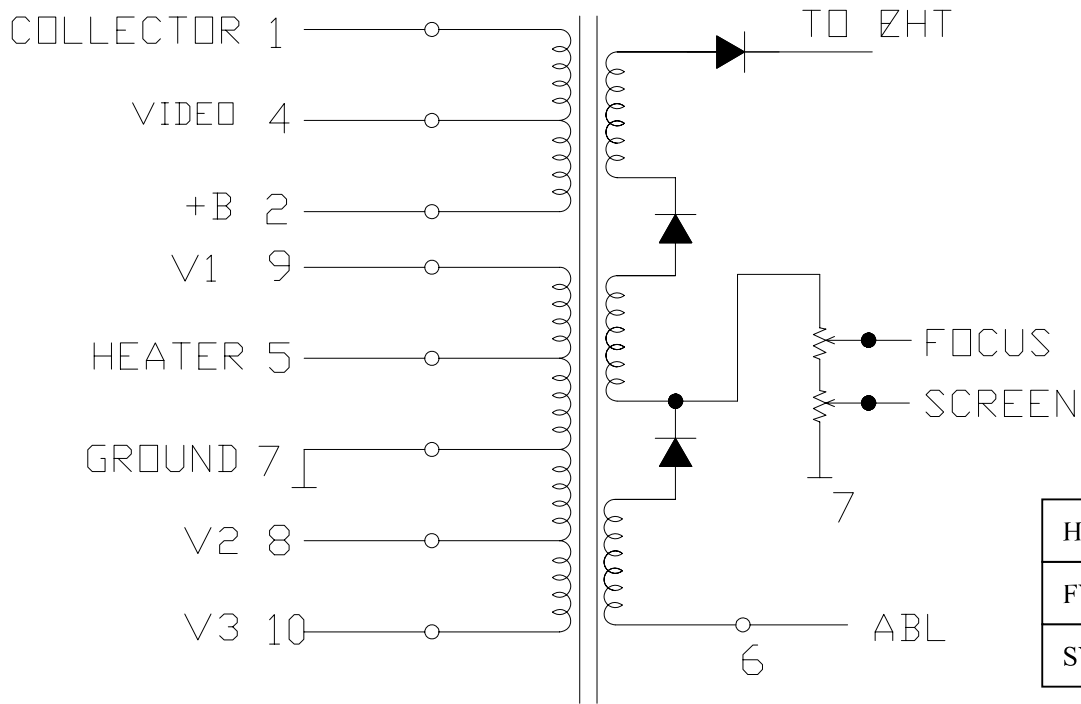


### JF0208-0208C



### JF0501-1214A

