

# PULSEJACK™ LAN/ Filtered Connectors Ethernet, PoE (Power over Ethernet), Gigabit, USB Options

Pulse offers a broad selection of filtered connectors. Each Pulsejack platform is designed to house a range of magnetic configurations and other internal components (common mode termination) with four 75ohm resistors and HV Cap, chip-side pin outs, shield options, USB ports and LED options. **Features:** • Meets or exceeds IEEE 802.3 and ANSI X3.263 • 1500 Vrms isolation • Self-contained termination saves PCB space • Patented InterLock Base construction for high reliability

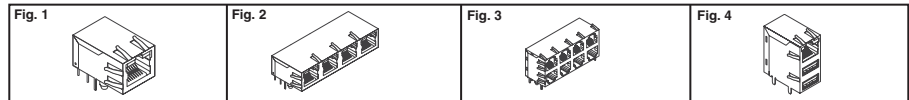


Figure Note: General representation of part, see specifications for exact number of ports.

Fig.	Number of Rows X Ports(7)	Tab Latch Up/Down(1)	Shield EMI Tabs(5)	Auto MDIX	LEDs L-R(6,8)	Other(4) Components	Comm.(15) Pins per Port (PCB Side)	Total(16) PCB Pins per Port	Configuration(2) TX RX	Turns Ratio(3) TX RX	Package L x W x H (mm)	Digi-Key Part No.	1	Price Each 10	100	Pulse Part No.
<b>10/100BASE-TX</b>																
1	1X1	Down	Yes	Yes	G-G	CMT	7	12	T,C T,C	1CT:1	21.59 x 16.26 x 13.84	553-1236-ND	5.94	4.07	3.24	J0018D21E
	1X1	Down	Yes	Yes	G-Y	CMT(12)	7	12	T,C T,C	1CT:1	21.59 x 16.26 x 13.84	553-1237-ND	4.00	2.60	1.99	J00-0065
	1X1	Down	Yes	Yes	G-Y	—(13)	8	12	T,C T,C	1CT:1	21.59 x 16.26 x 13.84	553-1238-ND	5.07	3.47	2.76	J0060D21B
	1X1	Down	Yes	Yes	—	CMT(13)	7	8	T,C T,C	1CT:1	21.59 x 16.26 x 13.84	553-1239-ND	5.01	3.43	2.73	J0011D21
	1X1	Down	Yes	—	G-Y	CMT(13)	8	12	T,C,S C,T	1CT:1	21.59 x 16.26 x 13.84	553-1240-ND	6.12	4.19	3.34	J0026D21B
	1X1	Up	Yes	Yes	Y-G	CMT	7	12	T,C T,C	1CT:1	25.4 x 16.26 x 13.51	553-1241-ND	5.88	4.03	3.21	J1012F21C
	1X1	Up	Yes	—	Y-G	CMT	8	12	T,C,S C,T	1CT:1	25.4 x 16.26 x 13.51	553-1242-ND	6.78	4.64	3.70	J1026F21C
	1X1	Up	—	Yes	G-Y	CMT	8	12	T,C T,C	1CT:1	25.4 x 16.26 x 13.51	553-1243-ND	5.88	4.03	3.21	J1011F01P
<b>10/100BASE-TX Multiport</b>																
2	1X2	Down	Yes	Yes	G-Y	CMT	7	12	T,C T,C	1CT:1	21.36 x 31.18 x 13.61	553-1244-ND	8.66	6.34	5.25	J8064D628A
	1X4	Down	Yes	Yes	G-Y	CMT	7	12	T,C T,C	1CT:1	21.36 x 59.12 x 13.61	553-1245-ND	15.50	11.87	10.05	J8064D648A
	1X6	Down	Yes	Yes	G-Y	CMT	7	12	T,C T,C	1CT:1	21.36 x 87.07 x 13.61	553-1246-ND	24.89	19.06	16.14	J8064D668A
	1X8	Down	Yes	Yes	G-Y	CMT	7	12	T,C T,C	1CT:1	21.36 x 114.71 x 13.61	553-1247-ND	30.16	23.99	20.67	J8064D688A
<b>10/100BASE-TX Dual Row Multiport</b>																
3	2X2	Both	Yes	Yes	G-Y	CMT	7	11	T,C T,C	1CT:1	32.00 x 31.50 x 25.52	553-1248-ND	16.36	12.52	10.60	J20-0013
	2X4	Both	Yes	Yes	G-Y	CMT	7	11	T,C T,C	1CT:1	32.00 x 59.44 x 25.52	553-1249-ND	29.73	23.65	20.38	J20-0014
	2X6	Both	Yes	Yes	—	CMT(13)	7	8	T,C T,C	1CT:1	28.95 x 87.38 x 25.53	553-1250-ND	42.87	34.10	29.38	J2042H3B
	2X8	Both	Yes	Yes	G-Y	CMT	7	8	T,C T,C	1CT:1	32.00 x 115.31 x 25.52	553-1251-ND	59.45	47.30	40.75	J20-0016
<b>Power over Ethernet (PoE) 10/100Base-TX</b>																
1	1X1	Up	Yes	Yes	Y/G-G	CMT(9)	9	13	C,T C,T	1CT:1	33.02 x 16.79 x 13.61	553-1252-ND	9.72	7.12	5.90	JK0-0020
	1X1	Up	Yes	Yes	Y/G-G	CMT(10)	9	13	C,T C,T	1CT:1	33.02 x 16.79 x 13.61	553-1253-ND	7.83	5.36	4.27	JK0-0025
<b>Power over Ethernet (PoE) 10/100Base-TX Multiport</b>																
2	1X2	Up	Yes	Yes	Y/G-G	CMT(10)	8	12	C,T C,T	1CT:1	25.40 x 31.19 x 13.84	553-1254-ND	12.73	9.31	7.72	JG0-0031
	1X4	Up	Yes	Yes	Y/G-G	CMT(10)	8	12	C,T C,T	1CT:1	25.41 x 59.13 x 13.60	553-1255-ND	22.77	17.43	14.76	JG0-0032
<b>Gigabit (10/100/100BASE-T)</b>																
1	1X1	Up	Yes	Yes	G-G	Gigabit(11)	12	16	Gigabit Gigabit	1CT:1	33.02 x 16.79 x 13.87	553-1256-ND	7.83	5.36	4.27	JK0-0014
	1X1	Up	Yes	Yes	Y/G-G	Gigabit(11)	12	16	Gigabit Gigabit	1CT:1	33.02 x 16.79 x 13.87	553-1257-ND	7.83	5.36	4.27	JK0-0016
	1X1	Up	Yes	Yes	—	Gigabit(11)	12	12	Gigabit Gigabit	1CT:1	33.02 x 16.79 x 13.87	553-1258-ND	7.53	5.16	4.10	JK0-0017
<b>Gigabit (10/100/100BASE-T) Multiport</b>																
2	1X2	Up	Yes	Yes	G-G(14)	Gigabit(11)	10	14	Gigabit Gigabit	1CT:1	25.40 x 31.19 x 13.84	553-1259-ND	12.73	9.31	7.72	JG0-0023
	1X4	Up	Yes	Yes	G-G(14)	Gigabit(11)	10	14	Gigabit Gigabit	1CT:1	25.40 x 59.39 x 13.84	553-1260-ND	22.77	17.43	14.76	JG0-0025
	1X6	Up	Yes	Yes	G-G	Gigabit(12)	10	14	Gigabit Gigabit	1CT:1	25.41 x 87.33 x 13.84	553-1261-ND	31.04	24.70	21.28	JG0-0027
	1X8	Up	Yes	Yes	G-G	Gigabit(11)	10	14	Gigabit Gigabit	1CT:1	25.40 x 115.27 x 13.84	553-1262-ND	41.39	32.93	28.37	JG0-0028
<b>Gigabit (10/100/100BASE-T) Dual Row Multiport</b>																
3	2X4	Both	Yes	Yes	—	Gigabit(11)	10	10	Gigabit Gigabit	1CT:1	28.95 x 59.44 x 25.52	553-1306-ND	38.43	30.57	26.34	JC0-0131
	2X6	Both	Yes	Yes	—	Gigabit(11)	10	10	Gigabit Gigabit	1CT:1	28.95 x 87.38 x 25.52	553-1307-ND	51.86	42.97	39.51	JC0-0132
	2X8	Both	Yes	Yes	—	Gigabit(11)	10	10	Gigabit Gigabit	1CT:1	28.95 x 115.32 x 25.52	553-1308-ND	69.15	57.29	52.68	JC0-0133
<b>Combo 10/100BASE-TX / Dual USB 2.0 Type A Female Ports</b>																
4	1X1 w/2USB	Up	—	—	G-Y(6(R))	CMT	—	—	T,C,S C,T	1CT:1	27.69 x 19.08 x 31.45	553-1266-ND	8.40	5.75	4.58	JW0-0009
	1X1 w/2USB	Up	—	—	G/O-Y	CMT	—	—	T,C,S C,T	1CT:1	26.09 x 17.09 x 29.72	553-1267-ND	8.40	5.75	4.58	JY0-0016
	1X1 w/2USB	Up	—	—	G/Y-G	Gigabit	—	—	Gigabit Gigabit	1CT:1	27.43 x 18.82 x 31.00	553-1268-ND	8.71	6.38	5.28	JW0-0006

- KEY** (1) Tab Down = thumb lock facing down to PCB; Tab Up = thumb lock facing away from PCB  
 (2) Magnetics = Chip (PHY) to Cable (Media) side; T = Transformer, C = Common Mode Choke, S = Shunt Inductor  
 (3) Turns Ratio = Chip (PHY) to Cable (Media) side  
 (4) CMT (Common Mode Termination) with HV Cap within the connector; no extra PCB real estate required  
 (5) EMI Tabs = On the outside face of the shield for connecting to a front panel  
 (6) LEDs require external 5V source and 250Ω external resistors ('R') = 250Ω internal resistor built-in  
 (7) Note: For example, 1X4 = 1 row/4 columns or a 2X4 = 2 rows/4 columns  
 (8) LEDs: L-R = Left - Right : G = green, Y = yellow; "—" = none; Bicolor : G/O = Green/Orange, Y/G = Yellow/Green, G/Y = Green/Yellow  
 (9) Includes ESD overvoltage protection diodes  
 (10) Provides typically 2kV voltage isolation and are compliant to IEEE 802.3af PoE standard  
 (11) Includes Gigabit compatible magnetics  
 (12) Built-In BST Circuit = Capacitor resistor termination circuit  
 (13) Different electrical connection (See datasheet for more information)  
 (14) PoE = Power over Ethernet compatible product, compliant to IEEE 802.3af standard, providing minimum 1.5kV isolation  
 (15) Number of PCB connections required for RJ-45 connector communication to PHY/IC Chip  
 (16) Total number of PCB pins for PCB layout, which include LED option

## Excelsus DSL (CPE) Filters

These customer premises equipment (CPE) filters are designed to expedite the service delivery and improve the performance of digital subscriber line (DSL) and home phoneline network services over plain old telephone service (POTS). Its filter design electronically isolates the high-speed DSL and HPN data streams from the voice-band POTS to provide premium quality and optimal DSL and HPN data rates.

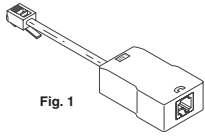
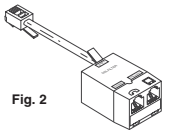
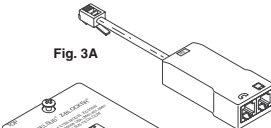

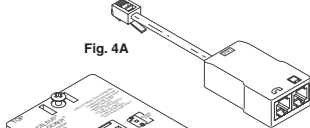

<p><b>Z-230PJ Economical Single-Line DSL Filter</b></p> <ul style="list-style-type: none"> <li>Filters one or more phone devices sharing a single jack</li> <li>Compact in-line design - plugs into any standard phone jack</li> <li>Blocks and isolates DSL/HPN from phone equipment</li> <li>Supports G. lite, G.dmt, ADSL, V.90, Caller ID and metallic-loop testing</li> <li>Compliant and listed with FCC, UL, CE, CSA and T1E1</li> </ul> 	<p><b>Z-230TJ Economical Single-Line Phone/DSL Filter</b></p> <ul style="list-style-type: none"> <li>Provides separate jacks for phone and DSL/HPN</li> <li>Compact in-line design - plugs into any standard phone jack</li> <li>Filters one or more phone devices sharing a single jack</li> <li>Blocks and isolates DSL/HPN from phone equipment</li> <li>Supports G. lite, G.dmt, ADSL, V.90, Caller ID and metallic-loop testing</li> <li>Compliant and listed with FCC, UL, CE, CSA and T1E1</li> </ul> 
<p><b>Dual-Line DSL Filter</b></p> <ul style="list-style-type: none"> <li>Filters one or more phone devices sharing a single jack on line 1 and line 2</li> <li>Provides separate jacks for phone and DSL/HPN</li> <li>Blocks and isolates DSL/HPN from phone equipment</li> <li>Supports G. lite, G. dmt, ADSL, V.90, Caller ID and metallic-loop testing</li> <li>Compliant and listed with FCC, CS03, UL, CE and CSA</li> <li>Compact in-line design - plugs into any standard phone jack</li> <li>Wall-mount design-snaps over existing wall outlet</li> </ul>  	<p><b>ANSI Single-Line DSL Filter</b></p> <ul style="list-style-type: none"> <li>Meets ANSI T1.421 for excellent voice quality and performance</li> <li>Filters one or more phone devices sharing a single jack</li> <li>Blocks and isolates DSL/HPN from phone equipment</li> <li>Ideal for blocking RF interference from DSL/HPN for uninterrupted data streaming</li> <li>Compatible with ADSL, ADSL2, ADSL2+, ADSL2++, ADSLQ+ (analog mode) and VDSL</li> <li>Supports G. lite, G.dmt, ADSL, V.90, Caller ID and metallic-loop testing</li> <li>Compliant and listed with FCC, UL, CE, and CSA</li> <li>Compact in-line design-plugs into any standard phone jack</li> <li>Wall-mount design-snaps over existing wall outlet</li> </ul>  

Fig.	Description	Digi-Key Part No.	1	Price Each 25	50	Pulse Part No.
1	Single In-Line DSL Filter	553-1183-ND	1.67	1.50		Z-230PJ
2	Single In-Line Phone/DSL Filter	553-1184-ND	3.81	2.35		Z-230TJ
3A	Dual-Line In-Line Filter	553-1187-ND	4.20	2.59	2.43	Z-D250P2J
3B	Dual-Line Wall-Mount Filter	553-1188-ND	6.75	4.16	3.90	Z-D250W
4A	ANSI In-Line Single Filter	553-1185-ND	3.97	2.35	2.11	Z-330P2J
4B	ANSI Wall-Mount Single Filter	553-1186-ND	6.54	4.03	3.77	Z-330CW

More Product Available Online: [www.digikey.com](http://www.digikey.com)

Toll-Free: 1-800-344-4539 • Phone: 218-681-6674 • Fax: 218-681-3380

(T061) 201