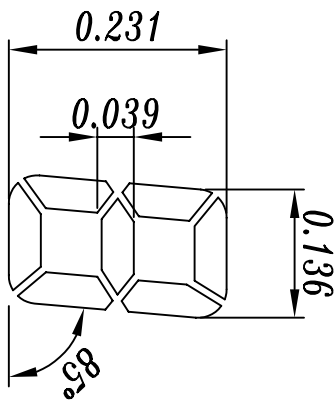


FRONT

BACK



NOTE:

1. DUTY:1/3 BIAS:1/3
2. VOLTAGE:3V
3. CONNECTION:ZEBBRA

PIN NO	1	2	3	4	5	6	7	8	9	10	11	12	13	14	15	16
COM1	COM1			1A	2F	2B		3A			COM1	3B	3F	2A	1B	1F
COM2		COM2		1G	2E	2C		3G		COM2		3C	3E	2G	1C	1E
COM3			COM3	1D	1P			3D	COM3				2P	2D		

PITCH:0.100X7=0.700

REV	DESCRIPTION	BY	DATE

DRAWN BY: JHD
 CHECKED BY:
 APPROVED BY:
 DATE:

DESCRIPTION: JHD CO LTD

SCALE: Inch

LCD NO.: JH002

UNIT: -

SHEET 1 OF 1