

JH3001(JQC-3FF)

Subminiature Power Relays

UL&CUR File NO. E193706
 TÜV File NO.R 50009864
 CCEE File No.CH0067501-2001

FEATURES

- 15A switching capabilities
- SPST-NO and SPDT configurations
- Subminiature, standard PCB layout, low cost
- Sealed and Unsealed types available

CONTACT DATA

Arrangements: SPST-NO(1 form A),SPDT(1 form C)
Material: Silver Alloy
Expected Mechanical Life: 10 million operations (no load)
Expected Electrical Life: 100,000 operations (rated load)
Initial Contact Resistance: 100mΩ @ 1A, 24VDC

CONTACT RATING

Rating: 10A @ 24VDC resistive
 10A @ 277VAC resistive
 15A @ 125VAC resistive

Max . Switched Voltage: AC: 277V
DC: 30V

Max . Switched Current: 15A
Max . Switched Power: 2,770VA, 240W

INITIAL DIELECTRIC STRENGTH

Between Open Contacts: 750VAC (1 minute)
Between Coil and Contacts: 1,500VAC (1minute)
Surge Voltage Between Coil and Contacts: 8,000V (1.2/50μs)

INITIAL INSULATION RESISTANCE

Between Mutually Insulated Elements: 100MΩ, Min. @ 500VDC

COIL DATA

Voltage: 3-48VDC
Nominal Power: 0.36W(48VDC:0.51W)
Coil Temperature Rise: 60± max., At rated coil voltage

COIL DATA @ 20°C

Nominal Voltage (VDC)	Must Operate Voltage (VDC)	Must Release Voltage (VDC)	Max.allowable Voltage (VDC)	Coil Resistance (ohms)
3	2.25	0.30	3.60	25±10%
5	3.80	0.50	6.00	70±10%
6	4.50	0.60	7.20	100±10%
9	6.75	0.90	10.80	225±10%
12	9.00	1.20	14.40	400±10%
18	13.50	1.80	21.60	900±10%
24	18.00	2.40	28.80	1600±15%
48	36.00	4.80	57.60	4500±15%

OPERATE DATA

Must Operate Voltage: 75% of nominal voltage or less.
Must Release Voltage: 10% of nominal voltage or more.
Operate Time: 10ms max.
Release Time: 5 ms max.

ENVIRONMENTAL DATA

Temperature Range: -40~70± (no water condensation and no water drop.)

Operating:
Vibration, Resistance: 10 to 55 Hz., 1.5mm double amplitude
Shock, Mechanical: 1,000m/s² (100g approximately)
Operational: 100m/s² (10g approximately)
Operating Humidity: To 98% RH. +4Q±

MECHANICAL DATA

Termination: PCB
Construction : sealed & Unsealed
Weight: Approx. 10g

ORDERING INFORMATION

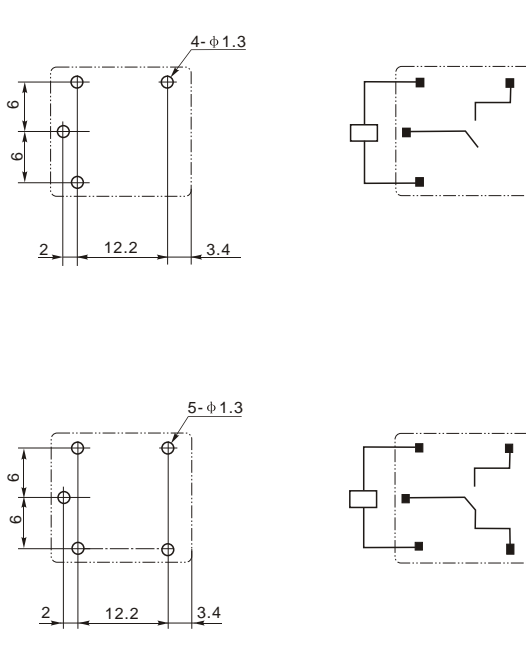
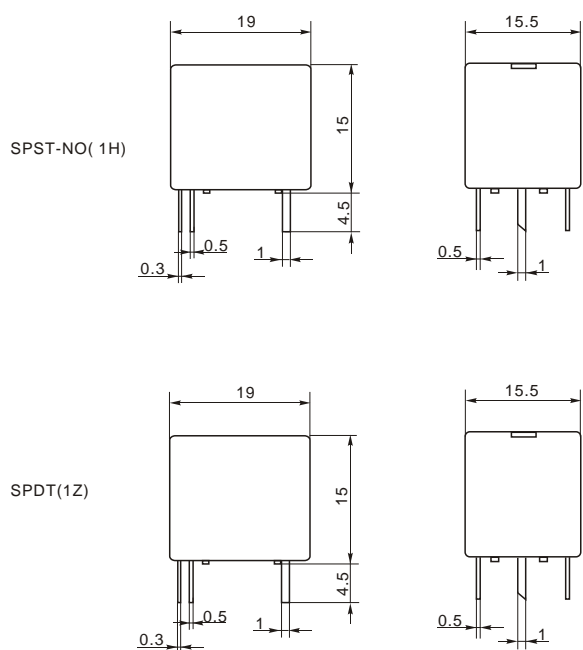
Typical Part Number ▶	JH3001 - 012 - 1H S
Model	
Coil Voltage 3 to 48VDC	
Contact arrangement 1H:SPST-NO 1Z:SPDT	
Classification of type Nil: Unsealed S:Sealed	

OUTLINE DIMENSIONS, WIRING DIAGRAM AND PC BOARD LAYOUT

Outline Dimensions

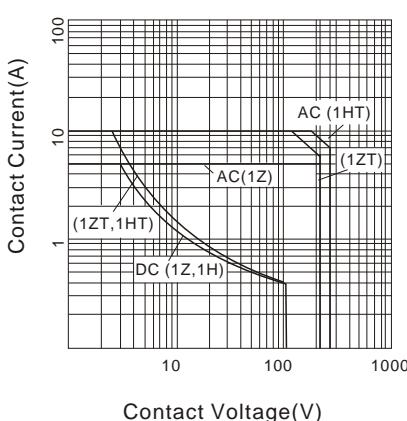
PCB Layout

Wiring Diagram

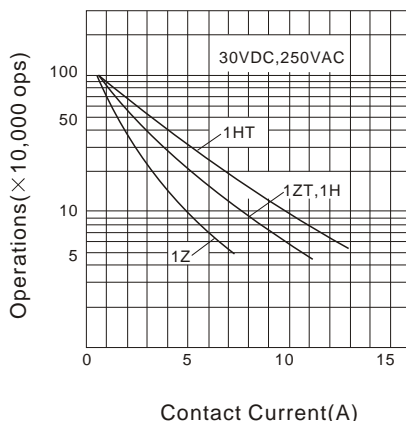


USEFUL CURVES

Contact Switching Capacity



Life Curve



Temperature Rise

