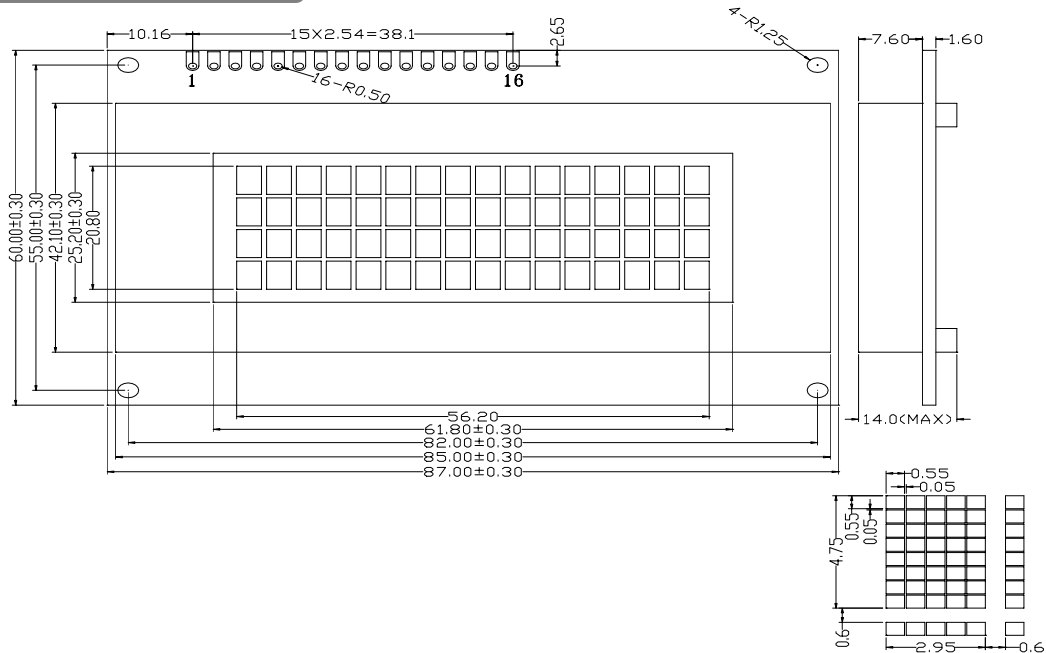


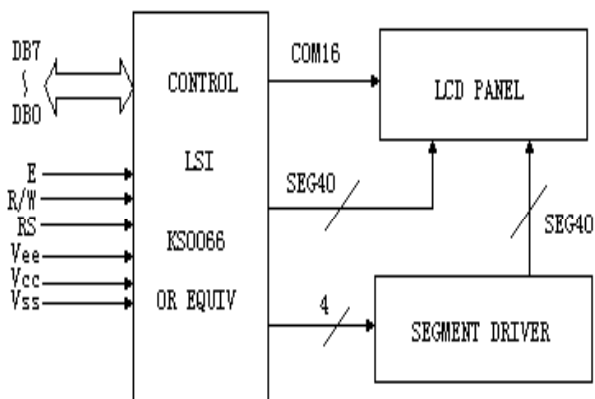
EXTERNAL DIMENSION



FEATURES

- Display construction: 16 Characters * 4 Lines
- Display mode: TN/STN
- Display type: Positive Transflective
- Backlight: LED/4.2VDC
- Viewing direction: 6 o'clock
- Operating temperature: Indoor
- Driving voltage: Single power
- Driving method: 1/16 duty, 1/4 bias
- Type: COB (Chip On Board)
- Number of data line: 8-bit parallel
- Connector: Pin

BLOCK DIAGRAM



INTERFACE

PIN NO.	SYMBOL	DESCRIPTION	FUNCTION
1	VSS	GROUND	0V (GND)
2	VCC	POWER SUPPLY FOR LOGIC CIRCUIT	+5V
3	VEE	LCD CONTRAST ADJUSTMENT	
4	RS	INSTRUCTION/DATA REGISTER SELECTION	RS = 0 : INSTRUCTION REGISTER RS = 1 : DATA REGISTER
5	R/W	READ/WRITE SELECTION	R/W = 0 : REGISTER WRITE R/W = 1 : REGISTER READ
6	E	ENABLE SIGNAL	
7	DB0	DATA INPUT/OUTPUT LINES	8 BIT: DB0-DB7
8	DB1		
9	DB2		
10	DB3		
11	DB4		
12	DB5		
13	DB6		
14	DB7		
15	LED+	SUPPLY VOLTAGE FOR LED+	+5V
16	LED-	SUPPLY VOLTAGE FOR LED-	0V

JHD 深圳市晶汉达电子有限公司
SHENZHEN JING HANDA ELECTRONICS CO., LTD

MODEL NO. : JHD539-164B
TEL : +86-755-61361995
FAX : +86-755-83779544