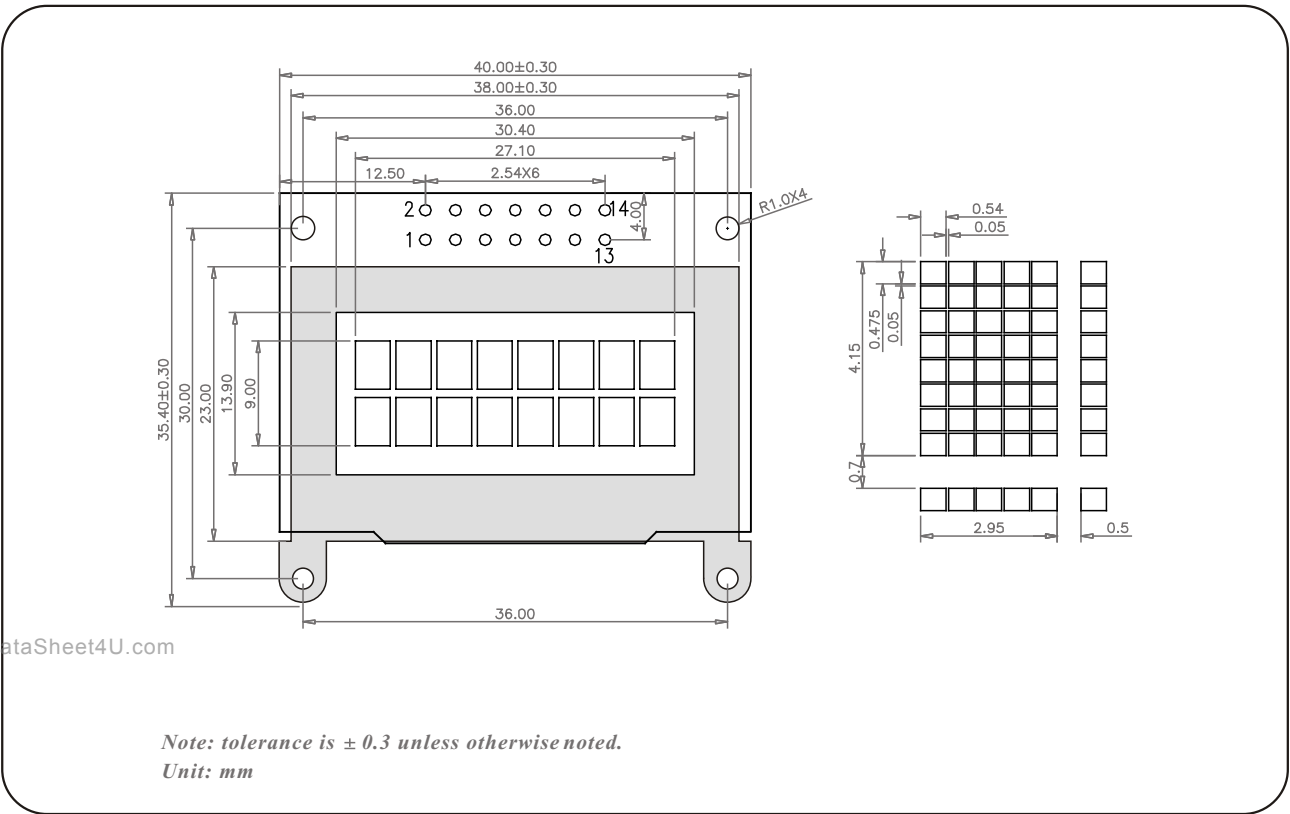


CHARACTERISTICS:

- DISPLAY CONTENT: 8 × 2 CHARACTERS
- LCD TYPE: TN、STN Y/G
- LED BACKLIGHT: NC
- CONTROLLER: KS0066 OR EQUAL
- OPERATING TEMPERATURE: NORMAL(0-50°C); WIDE(-20-70°C)
- POWER SUPPLY: 5.0V
- VIEWING ANGLE: 6H; 12H

DIMENSIONS/DISPLAY CONTENT



PIN CONFIGURATION

1	2	3	4	5	6	7	8	9	10	11	12	13	14
Vss	Vcc	V0	RS	R/W	E	DB0	DB1	DB2	DB3	DB4	DB5	DB6	DB7

PARAMETER (VDD=5.0V ± 10%, VSS=0V, Ta=25°C)

Parameter	Symbol	Standard Values			Unit	
		Min.	Typ.	Max		
Supply voltage	VDD-VSS	4.5	5.0	5.5	V	
Input voltage	H	V _{IH}	2.2	-		V _{DD}
	L	V _{IL}	-0.3	-		0.6
LCD Drive Voltage	-	-	4.7	-		
Operating current	I _{DD}	-	1.2	3.0	mA	

APPLICATION CIRCUIT

