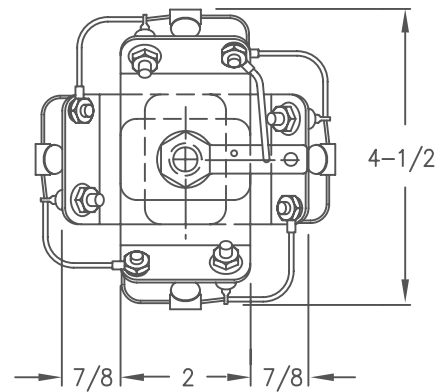
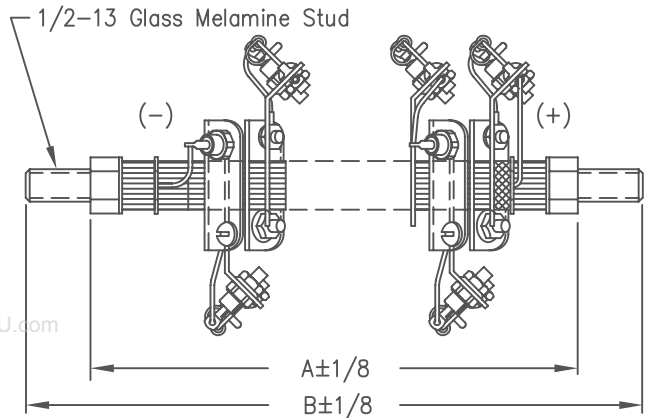
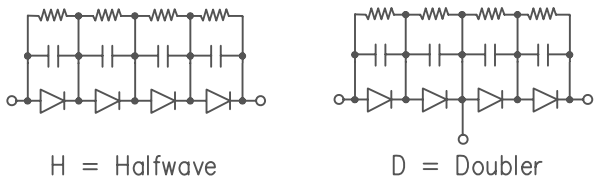


# High Voltage Rectifier Assembly JHV36 Series



Mounting: Horizontal (convection cooling)  
 Horizontal or vertical (forced air or oil)  
 DC output rating— 13.5 Amps/25°C convection cooled  
     - 36 Amps/40°C forced air cooled  
     @ 1000 LFM  
     - 54 Amps/40°C oil cooled  
 Peak Reverse voltage— from 8KV to 80KV



- Single Phase Halfwave Or Doubler
- Aluminum Heatsinks
- Each Diode is R-C Compensated
- 1200 Amperes Surge Current (1 Cycle)
- Resistive - Inductive Load. Derate 20% for Capacitive Loads

CATALOG NUMBER	PRV RATING KV	DIMENSION A	DIMENSION B
JHV36*8	8	5-1/8	7-1/4
JHV36*12	12	6-1/4	8-1/4
JHV36*16	16	7-3/8	9-1/2
JHV36*20	20	8-1/2	10-1/2
JHV36*24	24	9-5/8	11-3/4
JHV36*28	28	10-3/4	12-3/4
JHV36*32	32	11-7/8	14
JHV36*36	36	13	15
JHV36*40	40	14-1/8	16-1/4
JHV36*44	44	15-1/4	17-1/4
JHV36*48	48	16-3/8	18-1/2
JHV36*52	52	17-1/2	19-1/2
JHV36*56	56	18-5/8	20-3/4
JHV36*60	60	19-3/4	21-3/4
JHV36*64	64	20-7/8	23
JHV36*68	68	22	24
JHV36*72	72	23-1/8	25-1/4
JHV36*76	76	24-1/4	26-1/2
JHV36*80	80	25-3/8	27-1/2

\*Add H or D For doublers add 1" to both dimensions A & B

# JHV36

