



JMC250

PCI Express Gigabit Ethernet Controller

● Overview

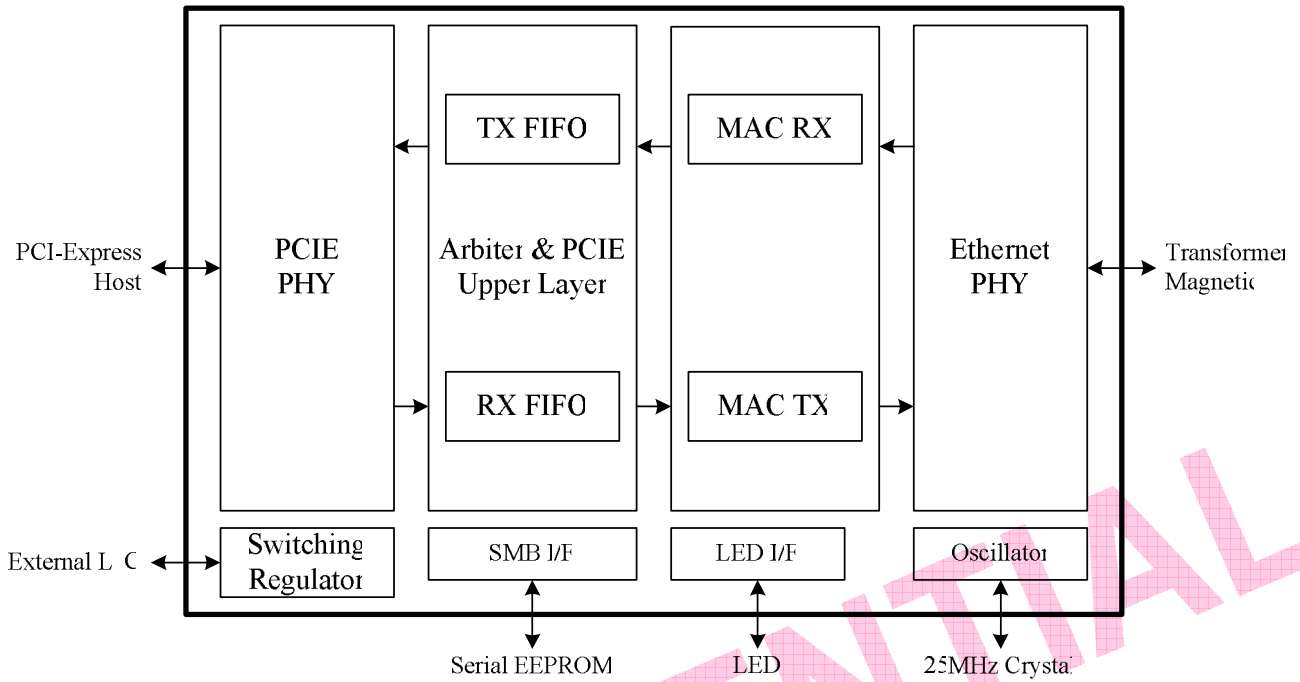
The JMC250 is a single-chip PCI-Express Gigabit Ethernet Controller. The Ethernet function is compliant to IEEE 802.3 Media Access Controller, and IEEE 802.3u 1000BASE-T/100BASE-TX/10BASE-T. The MAC supports IPV4, IPV6, TCP, UDP checksum, segmentation task-offload, priority encoding and IEEE802.1Q VLAN features. It also supports Receive Side Scaling (RSS) to balance the loading for multiple CPUs. The Ethernet function supports remote wakeup (including AMD Magic Packet™ and Microsoft® Wake-up frame) in both ACPI and APM (Advanced Power Management).

● Features

- ✓ Compliant with PCI Express Base Spec. Revision 1.1
- ✓ Integrated one-lane 2.5GHz PCI Express PHY
- ✓ Support multi-entry MSI and multi-vector MSI-X.
- ✓ Compliant with IEEE 802.3, IEEE 802.3u, and IEEE 802.3ab
- ✓ Integrated 10/100/1000Mbps transceiver
- ✓ Support Auto Negotiation
- ✓ Support Wake-on-LAN
- ✓ Support Microsoft® NDIS 5, NDIS6 Checksum Offload (IPv4, IPv6, IP, TCP, UDP)
- ✓ Support Microsoft® NDIS 5, NDIS6 Transmit Segmentation Task-offload (Large/Giant send)
- ✓ Support Receive Side Scaling (RSS)
- ✓ Support IEEE 802.1P Layer 2 Priority Encoding
- ✓ Support IEEE 802.1Q VLAN insertion and removal
- ✓ Support jumbo frame
- ✓ Integrated switching regulator, and single 3.3V power source
- ✓ External 25MHz crystal
- ✓ 64-pin LQFP package
- ✓ Pin-to-pin compatible to JMC260.



● **Block Diagram**



● **Contact Information**

- Sales : sales@jmicron.com
- Tech. Support : fae@jmicron.com