



# Data Sheet: JN5148-J01

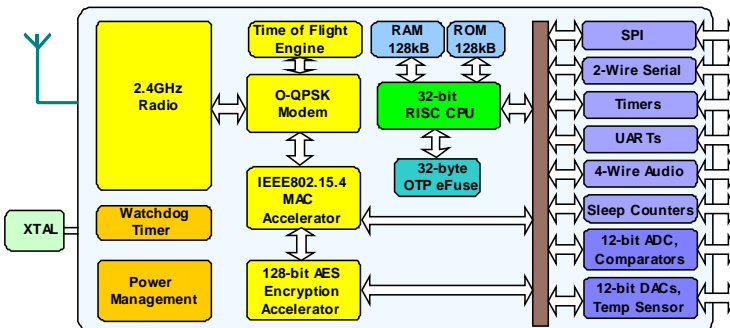
## IEEE802.15.4 Wireless Microcontroller

### Overview

The JN5148-J01 is an ultra low power, high performance wireless microcontroller targeted at JenNet and JenNet-IP networking applications. The device features an enhanced 32-bit RISC processor offering high coding efficiency through variable width instructions, a multi-stage instruction pipeline and low power operation with programmable clock speeds. It also includes a 2.4GHz IEEE802.15.4 compliant transceiver, 128kB of ROM, 128kB of RAM, and a rich mix of analogue and digital peripherals. The large memory footprint allows the device to run both a network stack (e.g. JenNet-IP) and an embedded application or in a co-processor mode. The operating current is below 18mA, allowing operation direct from a coin cell.

Enhanced peripherals include low power pulse counters running in sleep mode designed for pulse counting in AMR applications and a unique Time of Flight ranging engine, allowing accurate location services to be implemented on wireless sensor networks. It also includes a 4-wire I<sup>2</sup>S audio interface, to interface directly to mainstream audio CODECs, as well as conventional MCU peripherals.

### Block Diagram



### Benefits

- Single chip integrates transceiver and microcontroller for wireless sensor networks
- Large memory footprint to run JenNet-IP or JenNet together with an application
- Very low current solution for long battery life
- Highly featured 32-bit RISC CPU for high performance and low power
- System BOM is low in component count and cost
- Extensive user peripherals

### Applications

- Robust and secure low power wireless applications
- JenNet-IP and JenNet networks
- Smart metering (e.g. AMR)
- Home and commercial building automation
- Location Aware services – e.g. Asset Tracking
- Industrial systems
- Telemetry
- Remote Control
- Toys and gaming peripherals

### Features: Transceiver

- 2.4GHz IEEE802.15.4 compliant
- Time of Flight ranging engine
- 128-bit AES security processor
- MAC accelerator with packet formatting, CRCs, address check, auto-acks, timers
- 500 & 667kbps data rate modes
- Integrated sleep oscillator for low power
- On chip power regulation for 2.0V to 3.6V battery operation
- Deep sleep current 100nA
- Sleep current with active sleep timer 1.25µA
- <\$0.50 external component cost
- Rx current 17.5mA
- Tx current 15.0mA
- Receiver sensitivity -95dBm
- Transmit power 2.5dBm

### Features: Microcontroller

- Low power 32-bit RISC CPU, 4 to 32MHz clock speed
- Variable instruction width for high coding efficiency
- Multi-stage instruction pipeline
- 128kB ROM and 128kB RAM for bootloaded program code & data
- JTAG debug interface
- 4-input 12-bit ADC, 2 12-bit DACs, 2 comparators
- 3 application timer/counters,
- 2 UARTs
- SPI port with 5 selects
- 2-wire serial interface
- 4-wire digital audio interface
- Watchdog timer
- Low power pulse counters
- Up to 21 DIO

**Industrial temp (-40°C to +85°C)**

**8x8mm 56-lead Punched QFN**

Lead-free and RoHS compliant

---

# Contents

<b>1 Introduction</b>	<b>6</b>
1.1 Wireless Transceiver	6
1.2 RISC CPU and Memory	6
1.3 Peripherals	7
1.4 Block Diagram	8
<b>2 Pin Configurations</b>	<b>9</b>
2.1 Pin Assignment	10
2.2 Pin Descriptions	12
2.2.1 Power Supplies	12
2.2.2 Reset	12
2.2.3 32MHz Oscillator	12
2.2.4 Radio	12
2.2.5 Analogue Peripherals	13
2.2.6 Digital Input/Output	13
<b>3 CPU</b>	<b>15</b>
<b>4 Memory Organisation</b>	<b>16</b>
4.1 ROM	16
4.2 RAM	17
4.3 OTP eFuse Memory	17
4.4 External Memory	17
4.4.1 External Memory Encryption	18
4.5 Peripherals	18
4.6 Unused Memory Addresses	18
<b>5 System Clocks</b>	<b>19</b>
5.1 16MHz System Clock	19
5.1.1 32MHz Oscillator	19
5.1.2 24MHz RC Oscillator	19
5.2 32kHz System Clock	20
5.2.1 32kHz RC Oscillator	20
5.2.2 32kHz Crystal Oscillator	20
5.2.3 32kHz External Clock	20
<b>6 Reset</b>	<b>21</b>
6.1 Internal Power-on Reset	21
6.2 External Reset	22
6.3 Software Reset	22
6.4 Brown-out Detect	23
6.5 Watchdog Timer	23
<b>7 Interrupt System</b>	<b>24</b>
7.1 System Calls	24
7.2 Processor Exceptions	24
7.2.1 Bus Error	24
7.2.2 Alignment	24
7.2.3 Illegal Instruction	24
7.2.4 Stack Overflow	24
7.3 Hardware Interrupts	25

---

<b>8 Wireless Transceiver</b>	<b>26</b>
8.1 Radio	26
8.1.1 Radio External Components	27
8.1.2 Antenna Diversity	27
8.2 Modem	29
8.3 Baseband Processor	30
8.3.1 Transmit	30
8.3.2 Reception	30
8.3.3 Auto Acknowledge	31
8.3.4 Beacon Generation	31
8.3.5 Security	31
8.4 Security Coprocessor	31
8.5 Location Awareness	31
8.6 Higher Data Rates	32
<b>9 Digital Input/Output</b>	<b>33</b>
<b>10 Serial Peripheral Interface</b>	<b>35</b>
<b>11 Timers</b>	<b>38</b>
11.1 Peripheral Timer/Counters	38
11.1.1 Pulse Width Modulation Mode	39
11.1.2 Capture Mode	39
11.1.3 Counter/Timer Mode	40
11.1.4 Delta-Sigma Mode	40
11.1.5 Example Timer / Counter Application	41
11.2 Tick Timer	41
11.3 Wakeup Timers	42
11.3.1 RC Oscillator Calibration	43
<b>12 Pulse Counters</b>	<b>44</b>
<b>13 Serial Communications</b>	<b>45</b>
13.1 Interrupts	46
13.2 UART Application	46
<b>14 JTAG Debug Interface</b>	<b>47</b>
<b>15 Two-Wire Serial Interface</b>	<b>48</b>
15.1 Connecting Devices	48
15.2 Clock Stretching	49
15.3 Master Two-wire Serial Interface	49
15.4 Slave Two-wire Serial Interface	50
<b>16 Four-Wire Digital Audio Interface</b>	<b>51</b>
<b>17 Random Number Generator</b>	<b>53</b>
<b>18 Sample FIFO</b>	<b>54</b>
<b>19 Intelligent Peripheral Interface</b>	<b>55</b>
19.1 Data Transfer Format	55
19.2 JN5148 (Slave) Initiated Data Transfer	56
19.3 Remote (Master) Processor Initiated Data Transfer	56

<b>20 Analogue Peripherals</b>	<b>58</b>
20.1 Analogue to Digital Converter	59
20.1.1 Operation	59
20.1.2 Supply Monitor	60
20.1.3 Temperature Sensor	60
20.2 Digital to Analogue Converter	60
20.2.1 Operation	60
20.3 Comparators	61
<b>21 Power Management and Sleep Modes</b>	<b>62</b>
21.1 Operating Modes	62
21.1.1 Power Domains	62
21.2 Active Processing Mode	62
21.2.1 CPU Doze	62
21.3 Sleep Mode	62
21.3.1 Wakeup Timer Event	63
21.3.2 DIO Event	63
21.3.3 Comparator Event	63
21.3.4 Pulse Counter	63
21.4 Deep Sleep Mode	63
<b>22 Electrical Characteristics</b>	<b>64</b>
22.1 Maximum Ratings	64
22.2 DC Electrical Characteristics	64
22.2.1 Operating Conditions	64
22.2.2 DC Current Consumption	65
22.2.3 I/O Characteristics	66
22.3 AC Characteristics	66
22.3.1 Reset and Voltage Brown-Out	66
22.3.2 SPI MasterTiming	68
22.3.3 Intelligent Peripheral (SPI Slave) Timing	68
22.3.4 Two-wire Serial Interface	69
22.3.5 Four-Wire Digital Audio Interface	70
22.3.6 Wakeup and Boot Load Timings	70
22.3.7 Bandgap Reference	71
22.3.8 Analogue to Digital Converters	71
22.3.9 Digital to Analogue Converters	72
22.3.10 Comparators	73
22.3.11 32kHz RC Oscillator	73
22.3.12 32kHz Crystal Oscillator	74
22.3.13 32MHz Crystal Oscillator	74
22.3.14 24MHz RC Oscillator	75
22.3.15 Temperature Sensor	75
22.3.16 Radio Transceiver	76

---

<b>Appendix A Mechanical and Ordering Information</b>	<b>81</b>
A.1 56-pin QFN Package Drawing	81
A.2 PCB Decal	82
A.3 Ordering Information	83
A.4 Device Package Marking	84
A.5 Tape and Reel Information	85
A.5.1 Tape Orientation and Dimensions	85
A.5.2 Reel Information: 180mm Reel	86
A.5.3 Reel Information: 330mm Reel	87
A.5.4 Dry Pack Requirement for Moisture Sensitive Material	87
<b>Appendix B Development Support</b>	<b>88</b>
B.1 Crystal Oscillators	88
B.1.1 Crystal Equivalent Circuit	88
B.1.2 Crystal Load Capacitance	88
B.1.3 Crystal ESR and Required Transconductance	89
B.2 32MHz Oscillator	90
B.3 32kHz Oscillator	92
B.4 JN5148 Module Reference Designs	94
B.4.1 Schematic Diagram	94
B.4.2 PCB Design and Reflow Profile	96
Related Documents	97
RoHS Compliance	97
Status Information	97
Disclaimers	98
Trademarks	98
Version Control	99
Contact Details	100

---

# 1 Introduction

The JN5148-J01 is an IEEE802.15.4 wireless microcontroller that provides a fully integrated solution for applications using the IEEE802.15.4 standard in the 2.4 - 2.5GHz ISM frequency band ([1], [8]), including JenNet, JenNet-IP and ZigBee PRO. It includes all of the functionality required to meet the IEEE802.15.4, JenNet, JenNet-IP and ZigBee PRO specifications and has additional processor capability to run a wide range of applications including, but not limited to, Smart Energy, Automatic Meter Reading, Remote Control, Home and Building Automation, Toys and Gaming.

Applications that transfer data wirelessly tend to be more complex than wired ones. Wireless protocols make stringent demands on frequencies, data formats, timing of data transfers, security and other issues. Application development must consider the requirements of the wireless network in addition to the product functionality and user interfaces. To minimise this complexity, NXP provides a series of software libraries and interfaces that control the transceiver and peripherals of the JN5148. These libraries and interfaces remove the need for the developer to understand wireless protocols and greatly simplifies the programming complexities of power modes, interrupts and hardware functionality.

In view of the above, the register details of the JN5148 are not provided in the datasheet.

The device includes a Wireless Transceiver, RISC CPU, on-chip memory and an extensive range of peripherals.

The JN5148-J01 includes support for both the IEEE802.15.4-2003 and IEEE802.15.4-2006 MAC specification in ROM, and also JenNet v1.5 and 6LoWPAN libraries in ROM.

Hereafter, the JN5148-J01 will be referred to as JN5148.

## 1.1 Wireless Transceiver

The Wireless Transceiver comprises a 2.45GHz radio, a modem, a baseband controller and a security coprocessor. In addition, the radio also provides an output to control transmit-receive switching of external devices such as power amplifiers allowing applications that require increased transmit power to be realised very easily. Appendix B.4, describes a complete reference design including Printed Circuit Board (PCB) design and Bill Of Materials (BOM).

The security coprocessor provides hardware-based 128-bit AES-CCM\* modes as specified by the IEEE802.15.4 2006 standard. Specifically this includes encryption and authentication covered by the MIC -32/ -64/ -128, ENC and ENC-MIC -32/ -64/ -128 modes of operation.

The transceiver elements (radio, modem and baseband) work together to provide IEEE802.15.4 Medium Access Control (MAC) under the control of a protocol stack. Applications incorporating IEEE802.15.4 functionality can be rapidly developed by combining user-developed application software with a protocol stack library.

## 1.2 RISC CPU and Memory

A 32-bit RISC CPU allows software to be run on chip, its processing power being shared between the IEEE802.15.4 MAC protocol, other higher layer protocols and the user application. The JN5148 has a unified memory architecture, code memory, data memory, peripheral devices and I/O ports are organised within the same linear address space. The device contains 128kbytes of ROM, 128kbytes of RAM and a 32-byte One Time Programmable (OTP) eFuse memory.

---

## 1.3 Peripherals

The following peripherals are available on chip:

- Master SPI port with five select outputs
- Two UARTs with support for hardware or software flow control
- Three programmable Timer/Counters – all three support Pulse Width Modulation (PWM) capability, two have capture/compare facility
- Two programmable Sleep Timers and a Tick Timer
- Two-wire serial interface (compatible with SMBus and I<sup>2</sup>C) supporting master and slave operation
- Four-wire digital audio interface (compatible with I<sup>2</sup>S)
- Slave SPI port for Intelligent peripheral mode (shared with digital I/O)
- Twenty-one digital I/O lines (multiplexed with peripherals such as timers and UARTs)
- Four channel, 12-bit, Analogue to Digital converter
- Two 12-bit Digital to Analogue converters
- Two programmable analogue comparators
- Internal temperature sensor and battery monitor
- Time Of Flight ranging engine
- Two low power pulse counters
- Random number generator
- Watchdog Timer and Voltage Brown-out
- Sample FIFO for digital audio interface or ADC/DAC
- JTAG hardware debug port

User applications access the peripherals using the Integrated Peripherals API. This allows applications to use a tested and easily understood view of the peripherals allowing rapid system development.

# 1.4 Block Diagram

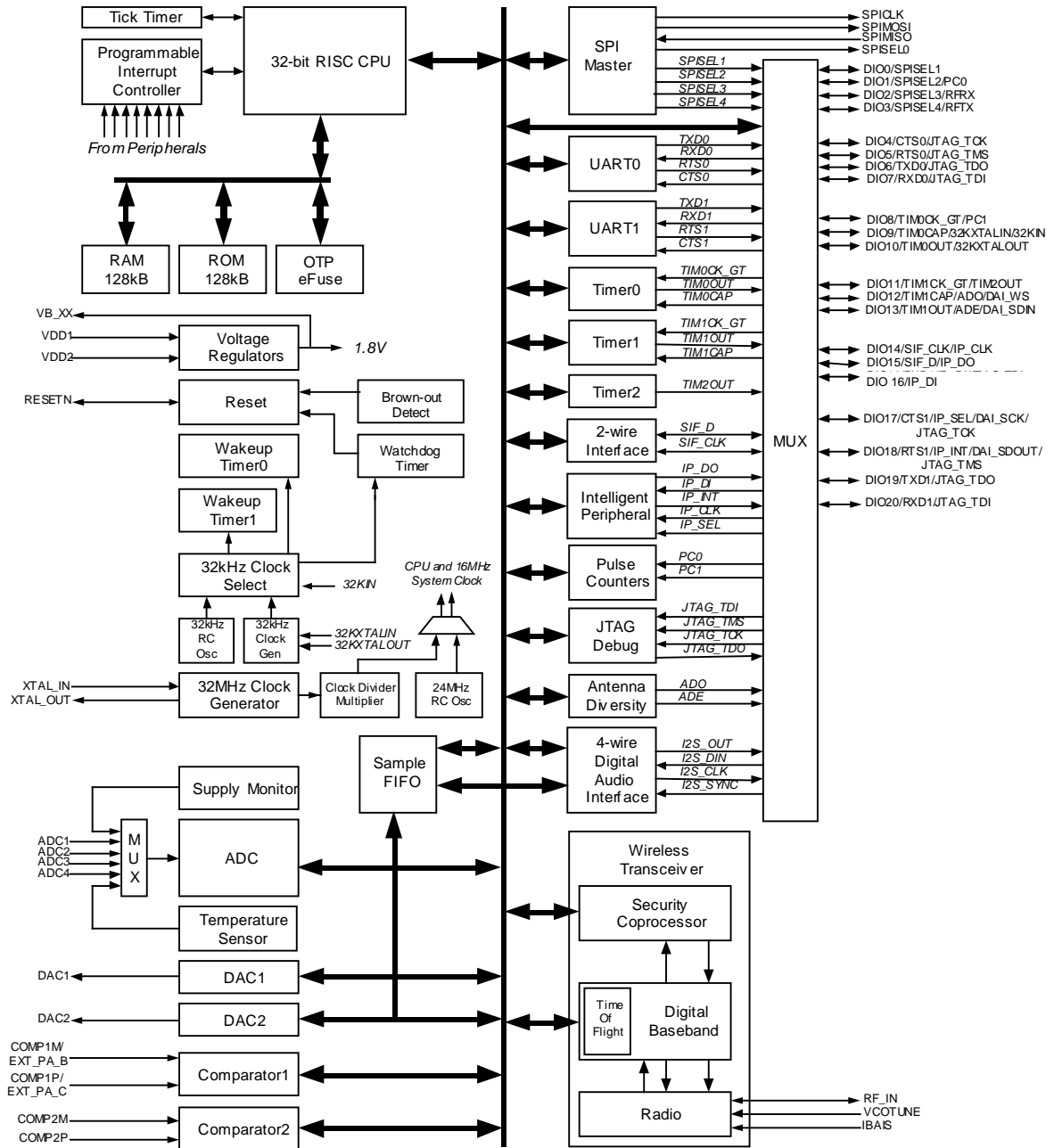


Figure 1: JN5148 Block Diagram



## 2 Pin Configurations

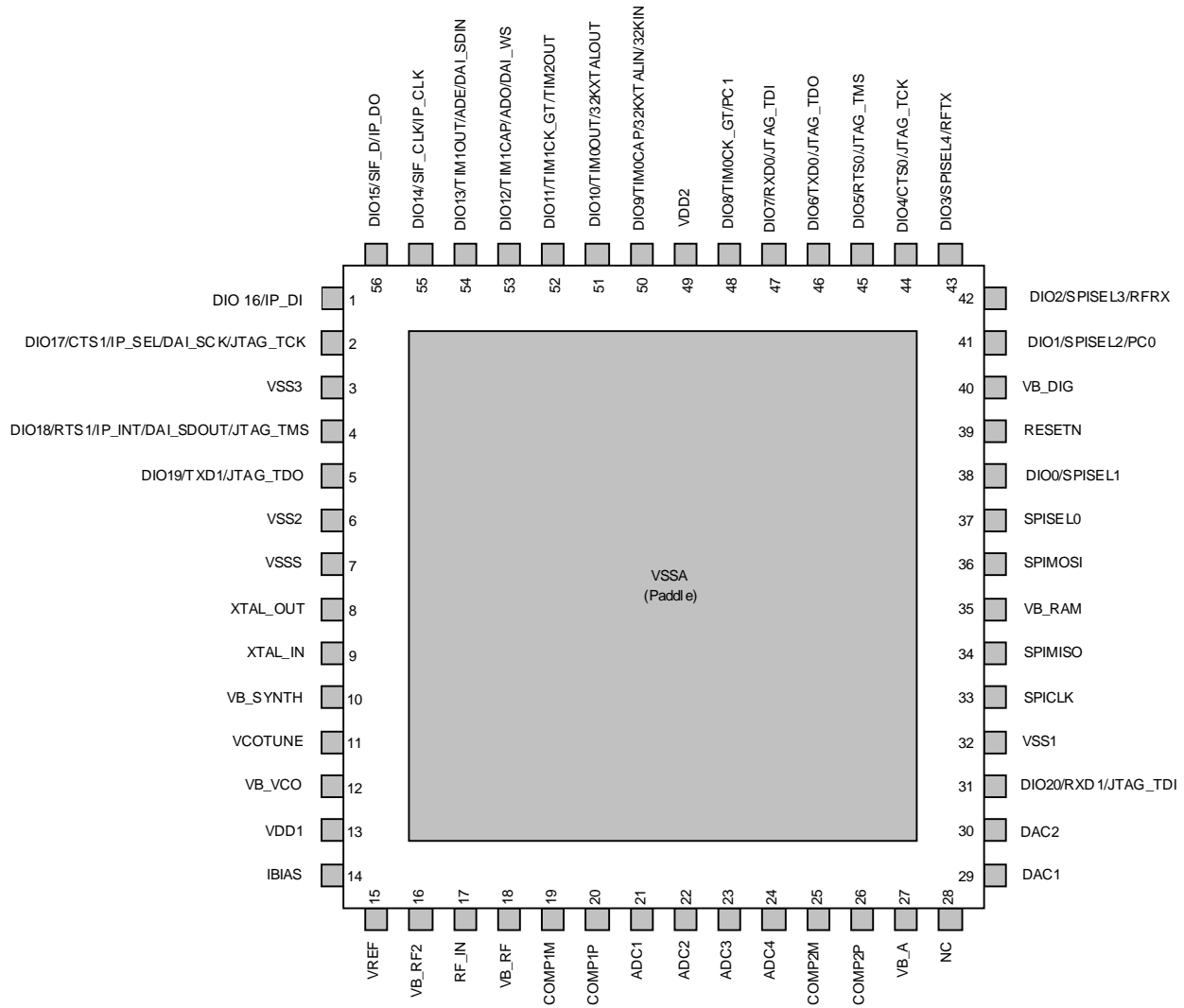


Figure 2: 56-pin QFN Configuration (top view)



**Note:** Please refer to Appendix B.4 JN5148 Module Reference Design for important applications information regarding the connection of the PADDLE to the PCB.

## 2.1 Pin Assignment

Pin No	Power supplies				Signal Type	Description
10, 12, 16, 18, 27, 35, 40	VB_SYNTH, VB_VCO, VB_RF2, VB_RF, VB_A, VB_RAM, VB_DIG				1.8V	Regulated supply voltage
13, 49	VDD1, VDD2				3.3V	Supplies: VDD1 for analogue, VDD2 for digital
32, 6, 3, 7, Paddle	VSS1, VSS2, VSS3, VSSS, VSSA				0V	Grounds (see appendix A.2 for paddle details)
28	NC					No connect
<b>General</b>						
39	RESETN				CMOS	Reset input
8, 9	XTAL_OUT, XTAL_IN				1.8V	System crystal oscillator
<b>Radio</b>						
11	VCOTUNE				1.8V	VCO tuning RC network
14	IBIAS				1.8V	Bias current control
17	RF_IN				1.8V	RF antenna
<b>Analogue Peripheral I/O</b>						
21, 22, 23, 24	ADC1, ADC2, ADC3, ADC4				3.3V	ADC inputs
15	VREF				1.8V	Analogue peripheral reference voltage
29, 30	DAC1, DAC2				3.3V	DAC outputs
19, 20	COMP1M/EXT_PA_B, COMP1P/EXT_PA_C				3.3V	Comparator 1 inputs and external PA control
25, 26	COMP2M, COMP2P				3.3V	Comparator 2 inputs
<b>Digital Peripheral I/O</b>						
	<b>Primary</b>	<b>Alternate Functions</b>				
33	SPICLK				CMOS	SPI Clock Output
36	SPIMOSI				CMOS	SPI Master Out Slave In Output
34	SPIMISO				CMOS	SPI Master In Slave Out Input
37	SPISEL0				CMOS	SPI Slave Select Output 0
38	DIO0	SPISEL1			CMOS	DIO0 or SPI Slave Select Output 1
41	DIO1	SPISEL2	PC0		CMOS	DIO1, SPI Slave Select Output 2 or Pulse Counter0 Input
42	DIO2	SPISEL3	RFRX		CMOS	DIO2, SPI Slave Select Output 3 or Radio Receive Control Output
43	DIO3	SPISEL4	RFTX		CMOS	DIO3, SPI Slave Select Output 4 or Radio Transmit Control Output
44	DIO4	CTS0	JTAG_TCK		CMOS	DIO4, UART 0 Clear To Send Input or JTAG CLK
45	DIO5	RTS0	JTAG_TMS		CMOS	DIO5, UART 0 Request To Send Output or JTAG Mode Select
46	DIO6	TXD0	JTAG_TDO		CMOS	DIO6, UART 0 Transmit Data Output or JTAG Data Output
47	DIO7	RXD0	JTAG_TDI		CMOS	DIO7, UART 0 Receive Data Input or JTAG Data Input
48	DIO8	TIM0CK_GT	PC1		CMOS	DIO8, Timer0 Clock/Gate Input or Pulse Counter1 Input
50	DIO9	TIM0CAP	32KXTALIN	32KIN	CMOS	DIO9, Timer0 Capture Input, 32K External Crystal Input or 32K Clock Input

Pin No	Digital Peripheral I/O					Signal Type	Description
	Primary	Alternate Functions					
51	DIO10	TIM0OUT	32KXTALOUT			CMOS	DIO10, Timer0 PWM Output or 32K External Crystal Output
52	DIO11	TIM1CK_GT	TIM2OUT			CMOS	DIO11, Timer1 Clock/Gate Input or Timer2 PWM Output
53	DIO12	TIM1CAP	ADO	DAI_WS		CMOS	DIO12, Timer1 Capture Input, Antenna Diversity or Digital Audio Word Select
54	DIO13	TIM1OUT	ADE	DAI_SDIN		CMOS	DIO13, Timer1 PWM Output, Antenna Diversity or Digital Audio Data Input
55	DIO14	SIF_CLK	IP_CLK			CMOS	DIO14, Serial Interface Clock or Intelligent Peripheral Clock Input
56	DIO15	SIF_D	IP_DO			CMOS	DIO15, Serial Interface Data or Intelligent Peripheral Data Out
1	DIO16	IP_DI				CMOS	DIO16 or Intelligent Peripheral Data In
2	DIO17	CTS1	IP_SEL	DAI_SCK	JTAG_TCK	CMOS	DIO17, UART 1 Clear To Send Input, Intelligent Peripheral Device Select Input or Digital Audio Clock or JTAG CLK
4	DIO18	RTS1	IP_INT	DAI_SDOUT	JTAG_TMS	CMOS	DIO18, UART 1 Request To Send Output, Intelligent Peripheral Interrupt Output or Digital Audio Data Output or JTAG Mode Select
5	DIO19	TXD1			JTAG_TDO	CMOS	DIO19 or UART 1 Transmit Data Output or JTAG Data Out
31	DIO 20	RXD1			JTAG_TDI	CMOS	DIO 20, UART 1 Receive Data Input or JTAG data In



**The PCB schematic and layout rules detailed in Appendix B.4 must be followed. Failure to do so will likely result in the JN5148 failing to meet the performance specification detailed herein and worst case may result in device not functioning in the end application.**

---

## 2.2 Pin Descriptions

### 2.2.1 Power Supplies

The device is powered from the VDD1 and VDD2 pins, each being decoupled with a 100nF ceramic capacitor. VDD1 is the power supply to the analogue circuitry; it should be decoupled to ground. VDD2 is the power supply for the digital circuitry; and should also be decoupled to ground. A 10uF tantalum capacitor is required. Decoupling pins for the internal 1.8V regulators are provided which require a 100nF capacitor located as close to the device as practical. VB\_RF, VB\_A and VB\_SYNTH should be decoupled with an additional 47pF capacitor, while VB\_RAM and VB\_DIG require only 100nF. VB\_RF and VB\_RF2 should be connected together as close to the device as practical, and only require one 100nF capacitor and one 47pF capacitor. The pin VB\_VCO requires a 10nF capacitor in parallel with a 47pF capacitor. Refer to B.4.1 for schematic diagram.

VSSA, VSSS, VSS1, VSS2, VSS3 are the ground pins.

Users are strongly discouraged from connecting their own circuits to the 1.8v regulated supply pins, as the regulators have been optimised to supply only enough current for the internal circuits.

### 2.2.2 Reset

RESETN is a bi-directional active low reset pin that is connected to a 40k $\Omega$  internal pull-up resistor. It may be pulled low by an external circuit, or can be driven low by the JN5148 if an internal reset is generated. Typically, it will be used to provide a system reset signal. Refer to section 6.2, External Reset, for more details.

### 2.2.3 32MHz Oscillator

A crystal is connected between XTALIN and XTALOUT to form the reference oscillator, which drives the system clock. A capacitor to analogue ground is required on each of these pins. Refer to section 5.1 16MHz System Clock for more details. The 32MHz reference frequency is divided down to 16MHz and this is used as the system clock throughout the device.

### 2.2.4 Radio

The radio is a single ended design, requiring a capacitor and just two inductors to match to 50 $\Omega$  microstrip line to the RF\_IN pin.

An external resistor (43k $\Omega$ ) is required between IBIAS and analogue ground to set various bias currents and references within the radio.

## 2.2.5 Analogue Peripherals

Several of the analogue peripherals require a reference voltage to use as part of their operations. They can use either an internal reference voltage or an external reference connected to VREF. This voltage is referenced to analogue ground and the performance of the analogue peripherals is dependant on the quality of this reference.

There are four ADC inputs, two pairs of comparator inputs and two DAC outputs. The analogue I/O pins on the JN5148 can have signals applied up to 0.3v higher than VDD1. A schematic view of the analogue I/O cell is shown in Figure 3: Analogue I/O Cell

In reset and deep sleep, the analogue peripherals are all off and the DAC outputs are in a high impedance state.

In sleep, the ADC and DACs are off, with the DAC outputs in high impedance state. The comparators may optionally be used as a wakeup source.

Unused ADC and comparator inputs should be left unconnected.

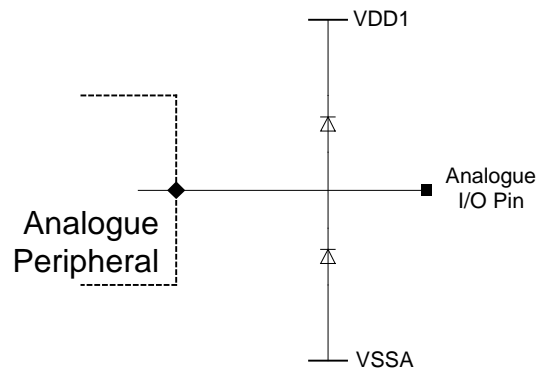


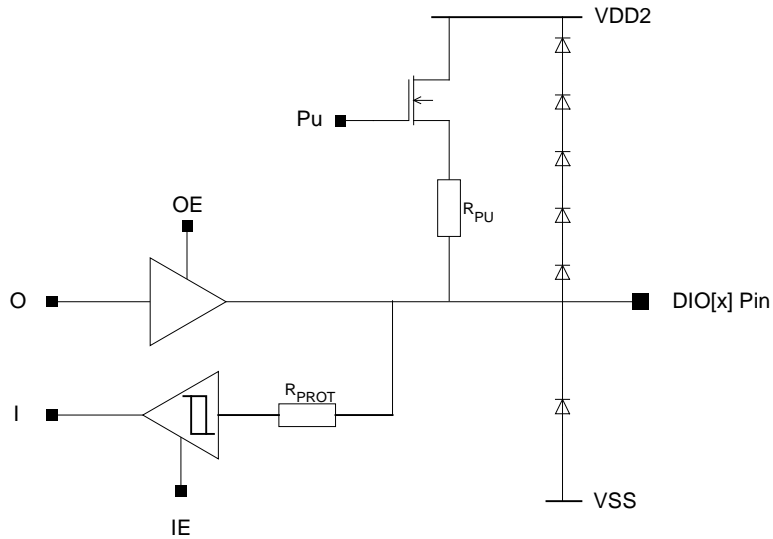
Figure 3: Analogue I/O Cell

## 2.2.6 Digital Input/Output

Digital I/O pins on the JN5148 can have signals applied up to 2V higher than VDD2 (with the exception of pins DIO9 and DIO10 that are 3V tolerant) and are therefore TTL-compatible with VDD2 > 3V. For other DC properties of these pins see section 22.2.3 I/O Characteristics.

When used in their primary function all Digital Input/Output pins are bi-directional and are connected to weak internal pull up resistors (40k $\Omega$  nominal) that can be disabled. When used in their secondary function (selected when the appropriate peripheral block is enabled through software library calls) then their direction is fixed by the function. The pull up resistor is enabled or disabled independently of the function and direction; the default state from reset is enabled.

A schematic view of the digital I/O cell is in Figure 4: DIO Pin Equivalent Schematic.



**Figure 4: DIO Pin Equivalent Schematic**

In reset, the digital peripherals are all off and the DIO pins are set as high-impedance inputs. During sleep and deep sleep, the DIO pins retain both their input/output state and output level that was set as sleep commences. If the DIO pins were enabled as inputs and the interrupts were enabled then these pins may be used to wake up the JN5148 from sleep.

---

## 3 CPU

The CPU of the JN5148 is a 32-bit load and store RISC processor. It has been architected for three key requirements:

- Low power consumption for battery powered applications
- High performance to implement a wireless protocol at the same time as complex applications
- Efficient coding of high-level languages such as C provided with the NXP Software Developers Kit

It features a linear 32-bit logical address space with unified memory architecture, accessing both code and data in the same address space. Registers for peripheral units, such as the timers, UARTs and the baseband processor are also mapped into this space.

The CPU has access to a block of 15 32-bit General-Purpose (GP) registers together with a small number of special purpose registers which are used to store processor state and control interrupt handling. The contents of any GP register can be loaded from or stored to memory, while arithmetic and logical operations, shift and rotate operations, and signed and unsigned comparisons can be performed either between two registers and stored in a third, or between registers and a constant carried in the instruction. Operations between general or special-purpose registers execute in one cycle while those that access memory require a further cycle to allow the memory to respond.

The instruction set manipulates 8, 16 and 32-bit data; this means that programs can use objects of these sizes very efficiently. Manipulation of 32-bit quantities is particularly useful for protocols and high-end applications allowing algorithms to be implemented in fewer instructions than on smaller word-size processors, and to execute in fewer clock cycles. In addition, the CPU supports hardware Multiply that can be used to efficiently implement algorithms needed by Digital Signal Processing applications.

The instruction set is designed for the efficient implementation of high-level languages such as C. Access to fields in complex data structures is very efficient due to the provision of several addressing modes, together with the ability to be able to use any of the GP registers to contain the address of objects. Subroutine parameter passing is also made more efficient by using GP registers rather than pushing objects onto the stack. The recommended programming method for the JN5148 is by using C, which is supported by a software developer kit comprising a C compiler, linker and debugger.

The CPU architecture also contains features that make the processor suitable for embedded, real-time applications. In some applications, it may be necessary to use a real-time operating system to allow multiple tasks to run on the processor. To provide protection for device-wide resources being altered by one task and affecting another, the processor can run in either supervisor or user mode, the former allowing access to all processor registers, while the latter only allows the GP registers to be manipulated. Supervisor mode is entered on reset or interrupt; tasks starting up would normally run in user mode in a RTOS environment.

Embedded applications require efficient handling of external hardware events. When using JenOS, prioritised interrupts are supported, with 15 priority levels, and can be configured as required by the application.

To improve power consumption a number of power-saving modes are implemented in the JN5148, described more fully in section 21 - Power Management and Sleep Modes. One of these modes is the CPU doze mode; under software control, the processor can be shut down and on an interrupt it will wake up to service the request. Additionally, it is possible under software control, to set the speed of the CPU to 4, 8, 16 or 32MHz. This feature can be used to trade-off processing power against current consumption.

## 4 Memory Organisation

This section describes the different memories found within the JN5148. The device contains ROM, RAM, OTP eFuse memory, the wireless transceiver and peripherals all within the same linear address space.

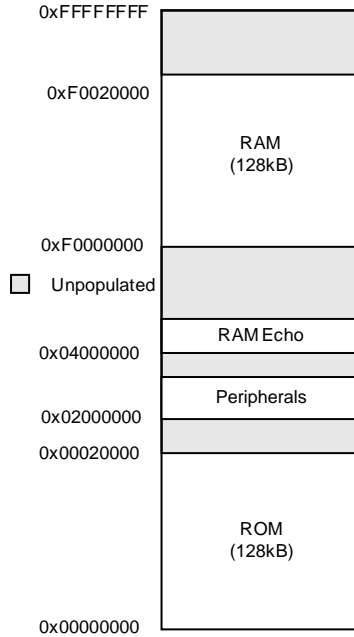


Figure 5: JN5148 Memory Map

### 4.1 ROM

The ROM is 128k bytes in size, and can be accessed by the processor in a single CPU clock cycle. The ROM contents include bootloader to allow external Flash memory contents to be bootloaded into RAM at runtime, a default interrupt vector table, an interrupt manager, IEEE802.15.4 MAC and APIs for interfacing on-chip peripherals. The operation of the boot loader is described in detail in Application Note [7]. The interrupt manager routes interrupt calls to the application's soft interrupt vector table contained within RAM. Section 7 contains further information regarding the handling of interrupts. ROM contents are shown in Figure 6.

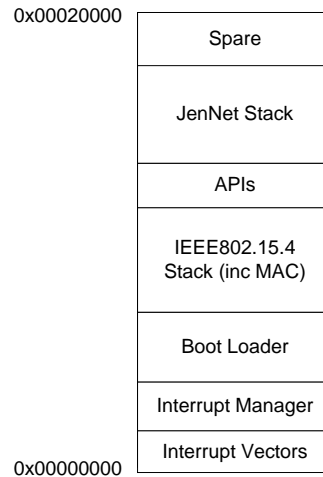


Figure 6: Typical ROM contents



## 4.2 RAM

The JN5148 contains 128kBytes of high speed RAM. It can be used for both code and data storage and is accessed by the CPU in a single clock cycle. At reset, a boot loader controls the loading of segments of code and data from an external memory connected to the SPI port, into RAM. Software can control the power supply to the RAM allowing the contents to be maintained during a sleep period when other parts of the device are un-powered. Typical RAM contents are shown in Figure 7.

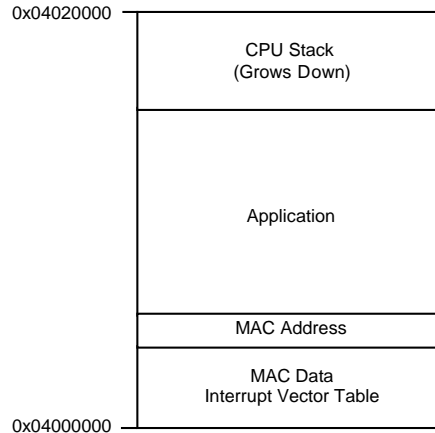


Figure 7: Typical RAM Contents

## 4.3 OTP eFuse Memory

The JN5148 contains a total of 32bytes of eFuse memory; this is a One Time Programmable (OTP) memory that can be used to support on chip 64-bit MAC ID and a 128-bit AES security key. A limited number of bits are available for customer use for storage of configuration information; configuration of these is made through use of software APIs.

For further information on how to program and use the eFuse memory, please contact technical support via the on-line tech-support system.

Alternatively, NXP can provide an eFuse programming service for customers that wish to use the eFuse but do not wish to undertake this for themselves. For further details of this service, please contact your local NXP sales office.

## 4.4 External Memory

An external memory with an SPI interface may be used to provide storage for program code and data for the device when external power is removed. The memory is connected to the SPI interface using select line SPISEL0; this select line is dedicated to the external memory interface and is not available for use with other external devices. See Figure 8 for connection details.

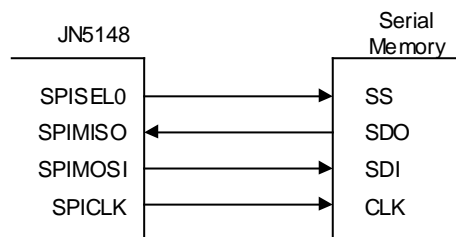


Figure 8: Connecting External Serial Memory

---

At reset, the contents of this memory are copied into RAM by the software boot loader. The Flash memory devices that are supported as standard through the JN5148-J01 bootloader are given in Table 1. NXP recommends that where possible one of these devices should be selected.

Manufacturer	Device Number
SST (Silicon Storage Technology)	SST 25VF040 (4Mbit Flash)
Micron	M25P40 (4Mbit device)

**Table 1: Supported Flash Memories**

Applications wishing to use an alternate Flash memory device should refer to application note [2] JN-AN-1038 Programming Flash devices not supported by the JN51xx ROM-based bootloader. This application note provides guidance on developing an interface to an alternate device.

### 4.4.1 External Memory Encryption

The contents of the external serial memory may be encrypted. The AES security processor combined with a user programmable 128-bit encryption key is used to encrypt the contents of the external memory. The encryption key is stored in eFuse.

When bootloading program code from external serial memory, the JN5148 automatically accesses the encryption key to execute the decryption process. User program code does not need to handle any of the decryption process; it is transparent.

With encryption enabled, the time taken to boot code from external flash is increased.

## 4.5 Peripherals

All peripherals have their registers mapped into the memory space. Access to these registers requires 3 clock cycles. Applications have access to the peripherals through the software libraries that present a high-level view of the peripheral's functions through a series of dedicated software routines. These routines provide both a tested method for using the peripherals and allow bug-free application code to be developed more rapidly. For details, see the JN51xx Integrated Peripherals API User Guide (JN-UG-3066)[5].

## 4.6 Unused Memory Addresses

Any attempt to access an unpopulated memory area will result in a bus error exception (interrupt) being generated.

## 5 System Clocks

Two system clocks are used to provide timing references into the on-chip subsystems of the JN5148. A 16MHz clock, generated by a crystal-controlled 32MHz oscillator, is used by the transceiver, processor, memory and digital and analogue peripherals. A 32kHz clock is used by the sleep timer and during the startup phase of the chip.

### 5.1 16MHz System Clock

The 16MHz system clock is used by the digital and analogue peripherals and the transceiver. A scaled version (4,8,16 or 32MHz) of this clock is also used by the processor and memories. For most operations it is necessary to source this clock from the 32MHz oscillator.

Crystal oscillators are generally slow to start. Hence to provide a faster start-up following a sleep cycle a fast RC oscillator is provided that can be used as the source for the 16MHz system clock. The oscillator starts very quickly and is typically 24MHz causing the system clock to run at 12MHz. Using a clock of this speed scales down the speed of the processor and any peripherals in use. For the SPI interface this causes no functional issues as the generated SPI clock is slightly slower and is used to clock the external SPI slave. Use of the radio is not possible when using the 24MHz RC oscillator. Additionally, timers and UARTs should not be used as the exact frequency will not be known.

The JN5148 device can be configured to wake up from sleep using the fast RC oscillator and automatically switch over to use the 32MHz xtal as the clock source, when it has started up. This could allow application code to be downloaded from the flash before the xtal is ready, typically improving start-up time by 550usec. Alternatively, the switch over can be controlled by software, or the system could always use the 32MHz oscillator as the clock source.

#### 5.1.1 32MHz Oscillator

The JN5148 contains the necessary on chip components to build a 32MHz reference oscillator with the addition of an external crystal resonator and two tuning capacitors. The schematic of these components are shown in Figure 9. The two capacitors, C1 and C2, should typically be 15pF and use a COG dielectric. Due to the small size of these capacitors, it is important to keep the traces to the external components as short as possible. The on chip transconductance amplifier is compensated for temperature variation, and is self-biasing by means of the internal resistor R1. The electrical specification of the oscillator can be found in section 22.3.13. Please refer to Appendix B for development support with the crystal oscillator circuit.

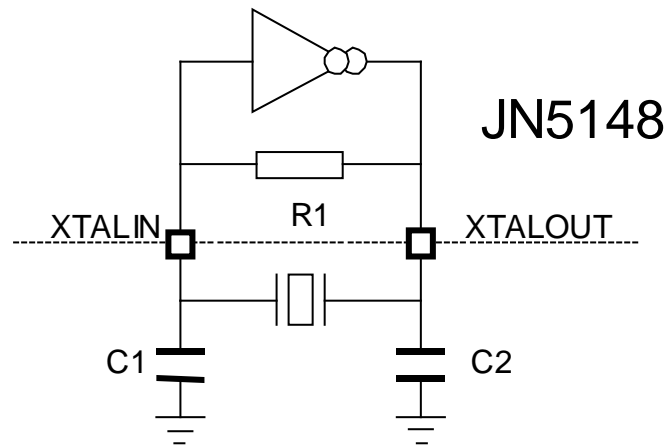


Figure 9: 32MHz Crystal Oscillator Connections

#### 5.1.2 24MHz RC Oscillator

An on-chip 24MHz RC oscillator is provided. No external components are required for this oscillator. The electrical specification of the oscillator can be found in section 22.3.14.

## 5.2 32kHz System Clock

The 32kHz system clock is used for timing the length of a sleep period (see section 21 Power Management and Sleep Modes) and also to generate the system clock used internally during reset. The clock can be selected from one of three sources through the application software:

- 32kHz RC Oscillator
- 32kHz Crystal Oscillator
- 32kHz External Clock

Upon a chip reset or power-up the JN5148 defaults to using the internal 32kHz RC Oscillator. If another clock source is selected then it will remain in use for all 32kHz timing until a chip reset is performed.

### 5.2.1 32kHz RC Oscillator

The internal 32kHz RC oscillator requires no external components. The internal timing components of the oscillator have a wide tolerance due to manufacturing process variation and so the oscillator runs nominally at 32kHz  $\pm 30\%$ . To make this useful as a timing source for accurate wakeup from sleep, a frequency calibration factor derived from the more accurate 16MHz clock may be applied. The calibration factor is derived through software, details can be found in section 11.3.1. For detailed electrical specifications, see section 22.3.11.

### 5.2.2 32kHz Crystal Oscillator

In order to obtain more accurate sleep periods, the JN5148 contains the necessary on-chip components to build a 32kHz oscillator with the addition of an external 32.768kHz crystal and two tuning capacitors. The crystal should be connected between 32KXTALIN and 32KXTALOUT (DIO9 and DIO10), with two equal capacitors to ground, one on each pin. Due to the small size of the capacitors, it is important to keep the traces to the external components as short as possible.

The electrical specification of the oscillator can be found in section 22.3.12. The oscillator cell is flexible and can operate with a range of commonly available 32.768kHz crystals with load capacitances from 6 to 12.5pF. However, the maximum ESR of the crystal and the supply current are both functions of the actual crystal used, see appendix B.1 for more details.

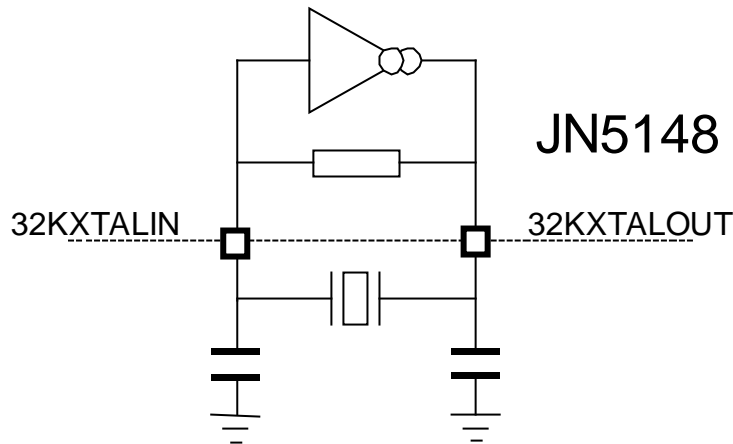


Figure 10: 32kHz crystal oscillator connections

### 5.2.3 32kHz External Clock

An externally supplied 32kHz reference clock on the 32KIN input (DIO9) may be provided to the JN5148. This would allow the 32kHz system clock to be sourced from a very stable external oscillator module, allowing more accurate sleep cycle timings compared to the internal RC oscillator. (See section 22.2.3 I/O Characteristics, DIO9 is a 3V tolerant input)

## 6 Reset

A system reset initialises the device to a pre-defined state and forces the CPU to start program execution from the reset vector. The reset process that the JN5148 goes through is as follows.

When power is applied, the 32kHz RC oscillator starts up and stabilises, which takes approximately 100 $\mu$ sec. At this point, the 32MHz crystal oscillator is enabled and power is applied to the processor and peripheral logic. The logic blocks are held in reset until the 32MHz crystal oscillator stabilises, typically this takes 0.75ms. Then the internal reset is removed from the CPU and peripheral logic and the CPU starts to run code beginning at the reset vector, consisting of initialisation code and the resident boot loader. [7] Section 22.3.1 provides detailed electrical data and timing.

The JN5148 has five sources of reset:

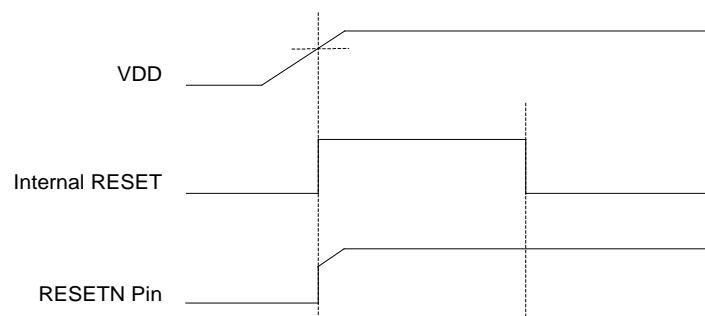
- Internal Power-on Reset
- External Reset
- Software Reset
- Watchdog timer
- Brown-out detect



**Note:** When the device exits a reset condition, device operating parameters (voltage, frequency, temperature, etc.) must be met to ensure operation. If these conditions are not met, then the device must be held in reset until the operating conditions are met. (See section 22.3)

### 6.1 Internal Power-on Reset

For the majority of applications the internal power-on reset is capable of generating the required reset signal. When power is applied to the device, the power-on reset circuit monitors the rise of the VDD supply. When the VDD reaches the specified threshold, the reset signal is generated and can be observed as a rising edge on the RESETN pin. This signal is held internally until the power supply and oscillator stabilisation time has elapsed, when the internal reset signal is then removed and the CPU is allowed to run.



**Figure 11: Internal Power-on Reset**

When the supply drops below the power on reset 'falling' threshold, it will re-trigger the reset. Use of the external reset circuit show in Figure 12 is suggested.

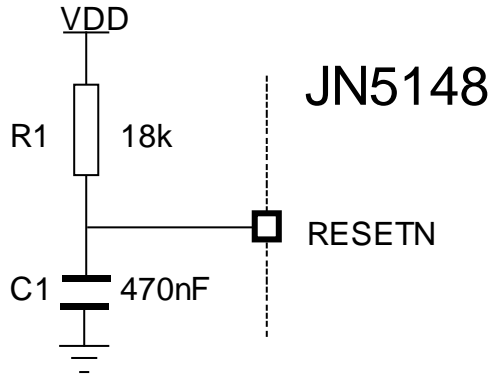


Figure 12: External Reset Generation

The external resistor and capacitor provide a simple reset operation when connected to the RESETN pin.

## 6.2 External Reset

An external reset is generated by a low level on the RESETN pin. Reset pulses longer than the minimum pulse width will generate a reset during active or sleep modes. Shorter pulses are not guaranteed to generate a reset. The JN5148 is held in reset while the RESETN pin is low. When the applied signal reaches the Reset Threshold Voltage ( $V_{RST}$ ) on its positive edge, the internal reset process starts.

Multiple devices may connect to the RESETN pin in an open-collector mode. The JN5148 has an internal pull-up resistor connect to the RESETN pin. The pin is an input for an external reset, an output during the power-on reset and may optionally be an output during a software reset. No devices should drive the RESETN pin high.

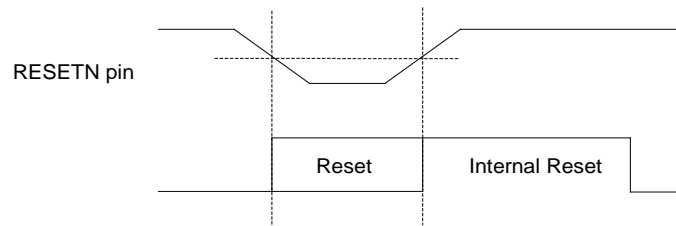


Figure 13: External Reset

## 6.3 Software Reset

A system reset can be triggered at any time through software control, causing a full chip reset and invalidating the RAM contents. For example this can be executed within a user's application upon detection of a system failure. When performing the reset, the RESETN pin is driven low for 1µsec; depending on the external components this may or may not be visible on the pin.

In addition, the RESETN line can be driven low by the JN5148 to provide a reset to other devices in the system (e.g. external sensors) without resetting itself. When the RESETN line is not driven it will pull back high through either the internal pull-up resistor or any external circuitry. It is essential to ensure that the RESETN line pulls back high within 100µsec after the JN5148 stops driving the line; otherwise a system reset will occur. Due to this, careful consideration should be taken of any capacitance on this line. For instance, the RC values recommended in section 6.1 may need to be replaced with a suitable reset IC

---

## 6.4 Brown-out Detect

An internal brown-out detect module is used to monitor the supply voltage to the JN5148; this can be used whilst the device is awake or is in CPU doze mode. Dips in the supply voltage below a variable threshold can be detected and can be used to cause the JN5148 to perform a chip reset. Equally, dips in the supply voltage can be detected and used to cause an interrupt to the processor, when the voltage either drops below the threshold or rises above it.

The brown-out detect is enabled by default from power-up and can extend the reset during power-up. This will keep the CPU in reset until the voltage exceeds the brown-out threshold voltage. The threshold voltage is configurable to 2.0V, 2.3V, 2.7V and 3.0V and is controllable by software. From power-up the threshold is set by eFuse settings and the default chip configuration is for the 2.3V threshold. It is recommended that the threshold is set so that, as a minimum, the chip is held in reset until the voltage reaches the level required by the external memory device on the SPI interface.

## 6.5 Watchdog Timer

A watchdog timer is provided to guard against software lockups. It operates by counting cycles of the 32kHz system clock. A pre-scaler is provided to allow the expiry period to be set between typically 8ms and 16.4 seconds. Failure to restart the watchdog timer within the pre-configured timer period will cause a chip reset to be performed. A status bit is set if the watchdog was triggered so that the software can differentiate watchdog initiated resets from other resets, and can perform any required recovery once it restarts. If the source of the 32kHz system clock is the 32kHz RC oscillator then the watchdog expiry periods are subject to the variation in period of the RC oscillator.

After power up, reset, start from deep sleep or start from sleep, the watchdog is always enabled with the largest timeout period and will commence counting as if it had just been restarted. Under software control the watchdog can be disabled. If it is enabled, the user must regularly restart the watchdog timer to stop it from expiring and causing a reset. The watchdog runs continuously, even during doze, however the watchdog does not operate during sleep or deep sleep, or when the hardware debugger has taken control of the CPU. It will recommence automatically if enabled once the debugger un-stalls the CPU.

---

## 7 Interrupt System

The interrupt system on the JN5148 is a hardware-vector interrupt system. The JN5148 provides several interrupt sources, some associated with CPU operations (CPU exceptions) and others which are used by hardware in the device. When an interrupt occurs, the CPU stops executing the current program and loads its program counter with a fixed hardware address specific to that interrupt. The interrupt handler or interrupt service routine is stored at this location and is run on the next CPU cycle. Execution of interrupt service routines is always performed in supervisor mode. Interrupt sources and their vector locations are listed in Table 2 below:

Interrupt Source	Vector Location	Interrupt Definition
Bus error	0x08	Typically cause by an attempt to access an invalid address or a disabled peripheral
Tick timer	0x0e	Tick timer interrupt asserted
Alignment error	0x14	Load/store address to non-naturally-aligned location
Illegal instruction	0x1a	Attempt to execute an unrecognised instruction
Hardware interrupt	0x20	interrupt asserted
System call	0x26	System call initiated by b.sys instruction
Trap	0x2c	caused by the b.trap instruction or the debug unit
Reset	0x38	Caused by software or hardware reset.
Stack Overflow	0x3e	Stack overflow

**Table 2: Interrupt Vectors**

### 7.1 System Calls

The b.trap and b.sys instructions allow processor exceptions to be generated by software.

A system call exception will be generated when the b.sys instruction is executed. This exception can, for example, be used to enable a task to switch the processor into supervisor mode when a real time operating system is in use. (See section 3 for further details.)

The b.trap instruction is commonly used for trapping errors and for debugging.

### 7.2 Processor Exceptions

#### 7.2.1 Bus Error

A bus error exception is generated when software attempts to access a memory address that does not exist, or is not populated with memory or peripheral registers or when writing to ROM.

#### 7.2.2 Alignment

Alignment exceptions are generated when software attempts to access objects that are not aligned to natural word boundaries. 16-bit objects must be stored on even byte boundaries, while 32-bit objects must be stored on quad byte boundaries. For instance, attempting to read a 16-bit object from address 0xFFF1 will trigger an alignment exception as will a read of a 32-bit object from 0xFFF1, 0xFFF2 or 0xFFF3. Examples of legal 32-bit object addresses are 0xFFF0, 0xFFF4, 0xFFF8 etc.

#### 7.2.3 Illegal Instruction

If the CPU reads an unrecognised instruction from memory as part of its instruction fetch, it will cause an illegal instruction exception.

#### 7.2.4 Stack Overflow

When enabled, a stack overflow exception occurs if the stack pointer reaches a programmable location.



---

## 7.3 Hardware Interrupts

Hardware interrupts generated from the transceiver, analogue or digital peripherals and DIO pins are individually masked using the Programmable Interrupt Controller (PIC). Management of interrupts is provided in the peripherals library [5]. For details of the interrupts generated from each peripheral see the respective section in this datasheet.

Interrupts can be used to wake the JN5148 from sleep. The peripherals, baseband controller, security coprocessor and PIC are powered down during sleep but the DIO interrupts and optionally the pulse counters, wake-up timers and analogue comparator interrupts remain powered to bring the JN5148 out of sleep.

Prioritised external interrupt handling (i.e., interrupts from hardware peripherals) is provided to enable an application to control an events priority to provide for deterministic program execution.

The priority Interrupt controller provides 15 levels of prioritised interrupts. The priority level of all interrupts can be set, with value 0 being used to indicate that the source can never produce an external interrupt, 1 for the lowest priority source(s) and 15 for the highest priority source(s). Note that multiple interrupt sources can be assigned the same priority level if desired.

If while processing an interrupt, a new event occurs at the same or lower priority level, a new external interrupt will not be triggered. However, if a new higher priority event occurs, the external interrupt will again be asserted, interrupting the current interrupt service routine.

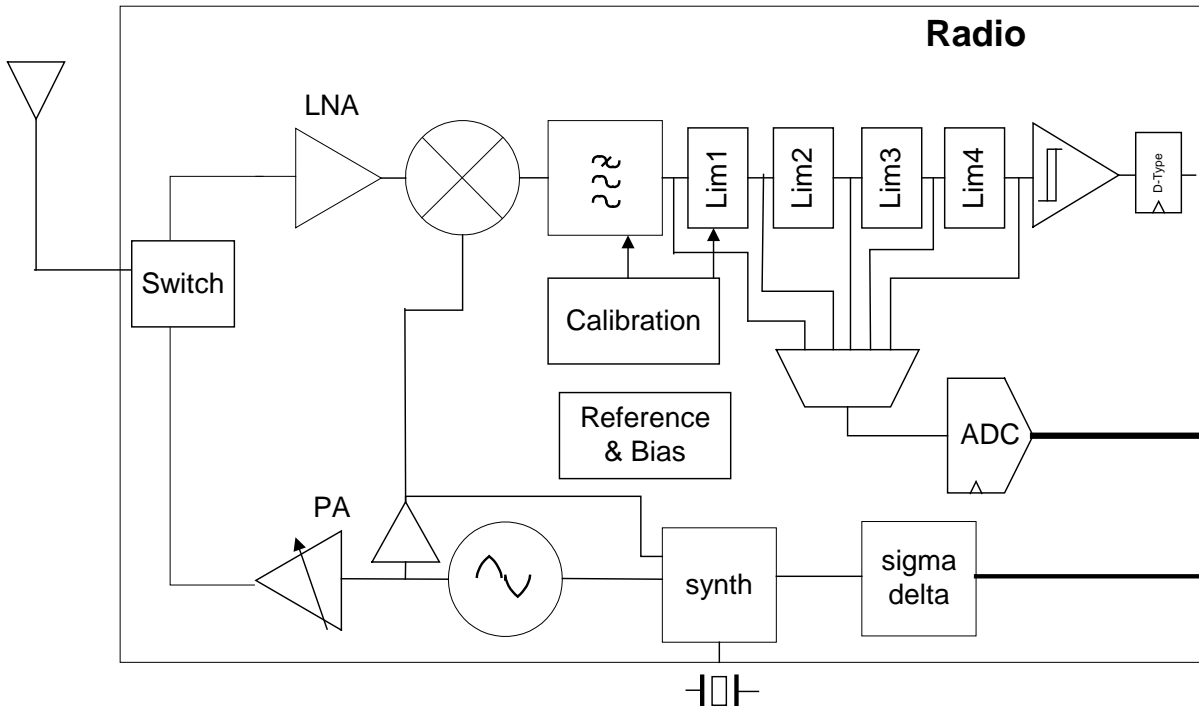
Once the interrupt service routine is complete, lower priority events can be serviced.

## 8 Wireless Transceiver

The wireless transceiver comprises a 2.45GHz radio, modem, a baseband processor, a security coprocessor and PHY controller. These blocks, with protocol software provided as a library, implement an IEEE802.15.4 standards-based wireless transceiver that transmits and receives data over the air in the unlicensed 2.4GHz band.

### 8.1 Radio

Figure 14 shows the single ended radio architecture.



**Figure 14: Radio Architecture**

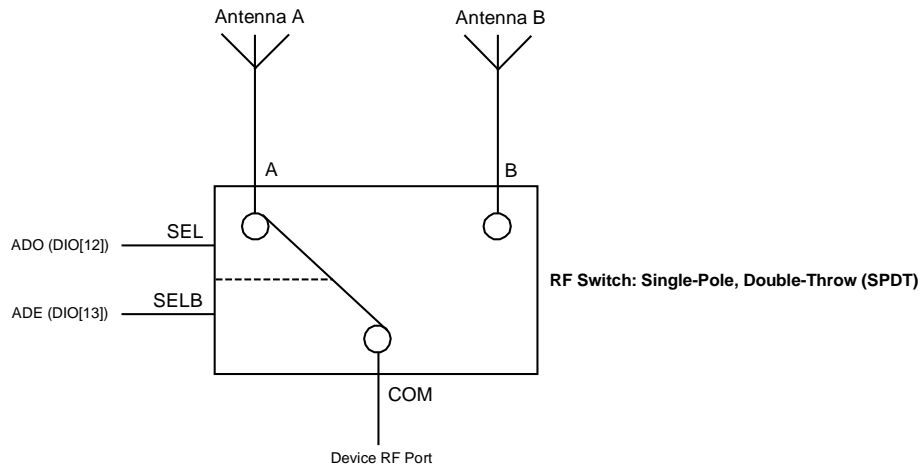
The radio comprises a low-IF receive path and a direct modulation transmit path, which converge at the TX/RX switch. The switch connects to the external single ended matching network, which consists of two inductors and a capacitor, this arrangement creates a  $50\Omega$  port and removes the need for a balun. A  $50\Omega$  single ended antenna can be connected directly to this port.

The 32MHz crystal oscillator feeds a divider, which provides the frequency synthesiser with a reference frequency. The synthesiser contains programmable feedback dividers, phase detector, charge pump and internal Voltage Controlled Oscillator (VCO). The VCO has no external components, and includes calibration circuitry to compensate for differences in internal component values due to process and temperature variations. The VCO is controlled by a Phase Locked Loop (PLL) that has an internal loop filter. A programmable charge pump is also used to tune the loop characteristic.

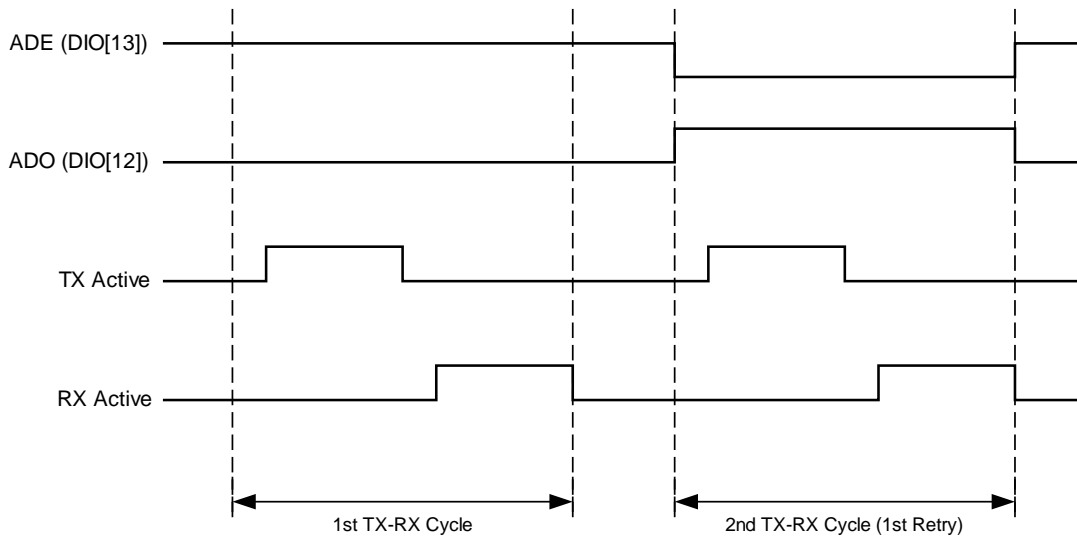
The receiver chain starts with the low noise amplifier / mixer combination whose outputs are passed to a lowpass filter, which provides the channel definition. The signal is then passed to a series of amplifier blocks forming a limiting strip. The signal is converted to a digital signal before being passed to the Modem. The gain control for the RX path is derived in the automatic gain control (AGC) block within the Modem, which samples the signal level at various points down the RX chain. To improve the performance and reduce current consumption, automatic calibration is applied to various blocks in the RX path.

In the transmit direction, the digital stream from the Modem is passed to a digital sigma-delta modulator which controls the feedback dividers in the synthesiser, (dual point modulation). The VCO frequency now tracks the applied modulation. The 2.4 GHz signal from the VCO is then passed to the RF Power Amplifier (PA), whose power control can be selected from one of three settings. The output of the PA drives the antenna via the RX/TX switch





**Figure 16 Simple Antenna Diversity Implementation using External RF Switch**

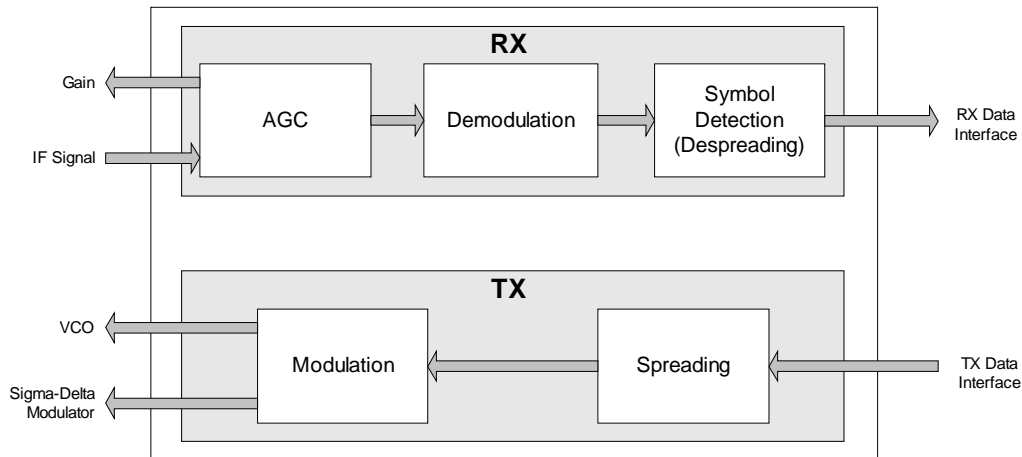


**Figure 17 Antenna Diversity ADO Signal for TX with Acknowledgement**

If two DIO pins cannot be spared, DIO13 can be configured to be a normal DIO pin, and the inverse of ADO generated with an inverter on the PCB.

## 8.2 Modem

The modem performs all the necessary modulation and spreading functions required for digital transmission and reception of data at 250kbps in the 2450MHz radio frequency band in compliance with the IEEE802.15.4 standard. It also provides a high data rate modes at 500 and 667kbps.



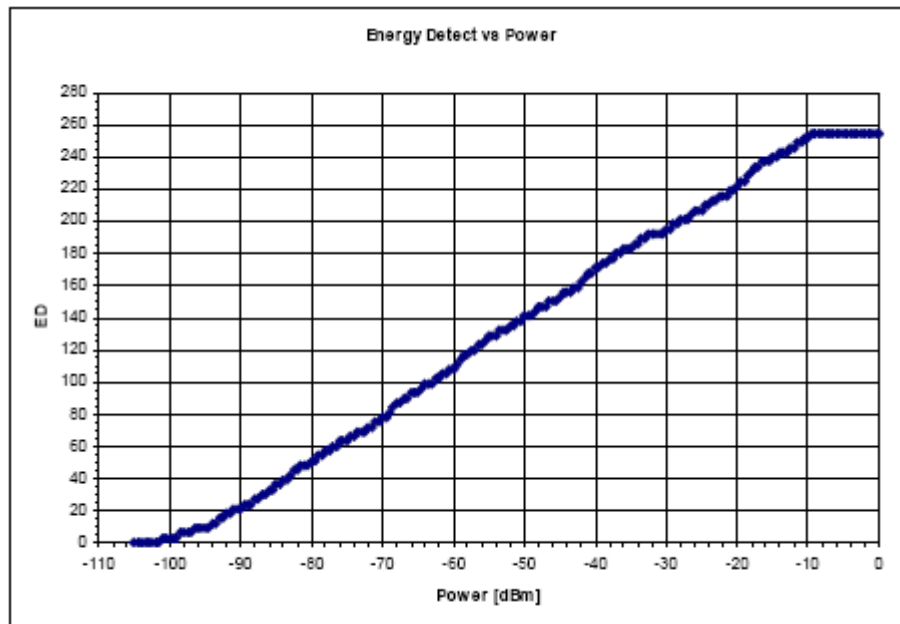
**Figure 18 Modem Architecture**

Features provided to support network channel selection algorithms include Energy Detection (ED), Link Quality Indication (LQI) and fully programmable Clear Channel Assessment (CCA).

The Modem provides a digital Receive Signal Strength Indication (RSSI) that facilitates the implementation of the IEEE 802.15.4 ED function and LQI function.

The ED and LQI are both related to receiver power in the same way, as shown in Fig19. LQI is associated with a received packet, whereas ED is an indication of signal power on air at a particular moment.

The CCA capability of the Modem supports all modes of operation defined in the IEEE 802.15.4 standard, namely Energy above ED threshold, Carrier Sense and Carrier Sense and/or energy above ED threshold.



**Figure 19 Energy Detect Value vs Receive Power Level**

## 8.3 Baseband Processor

The baseband processor provides all time-critical functions of the IEEE802.15.4 MAC layer. Dedicated hardware guarantees air interface timing is precise. The MAC layer hardware/software partitioning, enables software to implement the sequencing of events required by the protocol and to schedule timed events with millisecond resolution, and the hardware to implement specific events with microsecond timing resolution. The protocol software layer performs the higher-layer aspects of the protocol, sending management and data messages between endpoint and coordinator nodes, using the services provided by the baseband processor.

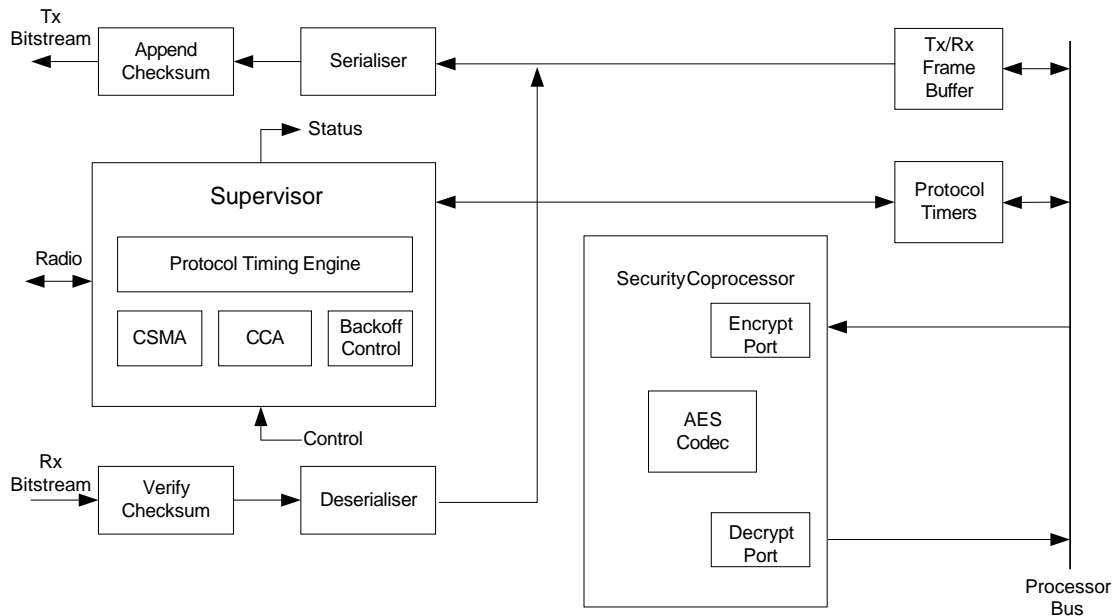


Figure 20: Baseband Processor

### 8.3.1 Transmit

A transmission is performed by software writing the data to be transferred into the Tx/Rx Frame Buffer, together with parameters such as the destination address and the number of retries allowed, and programming one of the protocol timers to indicate the time at which the frame is to be sent. This time will be determined by the software tracking the higher-layer aspects of the protocol such as superframe timing and slot boundaries. Once the packet is prepared and protocol timer set, the supervisor block controls the transmission. When the scheduled time arrives, the supervisor controls the sequencing of the radio and modem to perform the type of transmission required. It can perform all the algorithms required by IEEE802.15.4 such as CSMA/CA, GTS without processor intervention including retries and random backoffs.

When the transmission begins, the header of the frame is constructed from the parameters programmed by the software and sent with the frame data through the serialiser to the Modem. At the same time, the radio is prepared for transmission. During the passage of the bitstream to the modem, it passes through a CRC checksum generator that calculates the checksum on-the-fly, and appends it to the end of the frame.

If using slotted access, it is possible for a transmission to overrun the time in its allocated slot; the Baseband Processor handles this situation autonomously and notifies the protocol software via interrupt, rather than requiring it to handle the overrun explicitly.

### 8.3.2 Reception

During reception, the radio is set to receive on a particular channel. On receipt of data from the modem, the frame is directed into the Tx/Rx Frame Buffer where both header and frame data can be read by the protocol software. An interrupt may be provided on receipt of the frame header. As the frame data is being received from the modem it is passed through a checksum generator; at the end of the reception the checksum result is compared with the checksum at the end of the message to ensure that the data has been received correctly. An interrupt may be

---

provided to indicate successful packet reception. During reception, the modem determines the Link Quality, which is made available at the end of the reception as part of the requirements of IEEE802.15.4.

### 8.3.3 Auto Acknowledge

Part of the protocol allows for transmitted frames to be acknowledged by the destination sending an acknowledge packet within a very short window after the transmitted frame has been received. The JN5148 baseband processor can automatically construct and send the acknowledgement packet without processor intervention and hence avoid the protocol software being involved in time-critical processing within the acknowledge sequence. The JN5148 baseband processor can also request an acknowledge for packets being transmitted and handle the reception of acknowledged packets without processor intervention.

### 8.3.4 Beacon Generation

In beaconing networks, the baseband processor can automatically generate and send beacon frames; the repetition rate of the beacons is programmed by the CPU, and the baseband then constructs the beacon contents from data delivered by the CPU. The baseband processor schedules the beacons and transmits them without CPU intervention.

### 8.3.5 Security

The transmission and reception of secured frames using the Advanced Encryption Standard (AES) algorithm is handled by the security coprocessor and the stack software. The application software must provide the appropriate encrypt/decrypt keys for the transmission or reception. On transmission, the key can be programmed at the same time as the rest of the frame data and setup information.

## 8.4 Security Coprocessor

The security coprocessor is available to the application software to perform encryption/decryption operations. A hardware implementation of the encryption engine significantly speeds up the processing of the encrypted packets over a pure software implementation. The AES library for the JN5148 provides operations that utilise the encryption engine in the device and allow the contents of memory buffers to be transformed. Information such as the type of security operation to be performed and the encrypt/decrypt key to be used must also be provided.

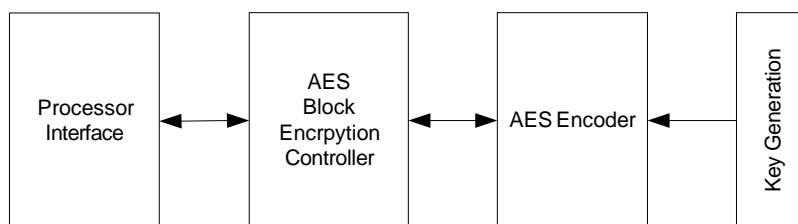


Figure 21: Security Coprocessor Architecture

## 8.5 Location Awareness

The JN5148 provides the ability for an application to obtain the Time Of Flight (TOF) between two network nodes. The TOF information is an alternative metric to that of the existing Energy Detect value (RSSI) that has been typically used for calculating the relative inter-nodal separation, for subsequent use in a location awareness system.

For short ranges RSSI will typically give a better accuracy than TOF, however for distances above 5 to 10 meters TOF will offer significant improvements in accuracy compared to RSSI. In general, the RSSI error scales with distance, such that if the distance doubles then the error doubles.

---

## 8.6 Higher Data Rates

To support the demands of applications that require high data throughputs such as in audio or data streaming applications, the JN5148 supports higher data rate modes that offer 500kbps or 667kbps on air transmission rates.

The switching between standard and higher data rates is controlled via software. When operating in a higher data rate mode standard IEEE802.15.4 features, such as clear channel assessment, can still be used. This allows the JN5148 in a higher data rate mode to co-exist in an IEEE802.15.4 based network (adhering to the correct bit rates and frame timing etc.) whilst at the same time providing the benefit of the higher data rate where required.

When operating in a higher data rate mode, the receive sensitivity will be degraded by at least 3dB.



---

## 9 Digital Input/Output

There are 21 Digital I/O (DIO) pins, which can be configured as either an input or an output, and each has a selectable internal pull-up resistor. Most DIO pins are multiplexed with alternate peripheral features of the device, see section 2.1. Once a peripheral is enabled it takes precedence over the device pins. Refer to the individual module sections for a full description of the alternate peripherals functions. Following a reset (and whilst the reset input is held low), all peripherals are off and the DIO pins are configured as inputs with the internal pull-ups turned on.

When a peripheral is not enabled, the DIO pins associated with it can be used as digital inputs or outputs. Each pin can be controlled individually by setting the direction and then reading or writing to the pin.

The individual pull-up resistors,  $R_{PU}$ , can also be enabled or disabled as needed and the setting is held through sleep cycles. The pull-ups are generally configured once after reset depending on the external components and functionality. For instance, outputs should generally have the pull-ups disabled. An input that is always driven should also have the pull-up disabled.

When configured as an input each pin can be used to generate an interrupt upon a change of state (selectable transition either from low to high or high to low); the interrupt can be enabled or disabled. When the device is sleeping, these interrupts become events that can be used to wake the device up. Equally the status of the interrupt may be read. See section 21 Power Management and Sleep Modes for further details on sleep and wakeup.

The state of all DIO pins can be read, irrespective of whether the DIO is configured as an input or an output.

Throughout a sleep cycle the direction of the DIO, and the state of the outputs, is held. This is based on the resultant of the GPIO Data/ Direction registers and the effect of any enabled peripherals at the point of entering sleep. Following a wake-up these directions and output values are maintained under control of the GPIO data / direction registers. Any peripherals enabled before the sleep cycle are not automatically re-enabled, this must be done through software after the wake-up.

For example, if DIO0 is configured to be SPISEL1 then it becomes an output. The output value is controlled by the SPI functional block. If the device then enters a sleep cycle, the DIO will remain an output and hold the value being output when entering sleep. After wake-up the DIO will still be an output with the same value but controlled from the GPIO Data/Direction registers. It can be altered with the software functions that adjust the DIO, or the application may re-configure it to be SPISEL1.

Unused DIO pins are recommended to be set as inputs with the pull-up enabled.

Two DIO pins can optionally be used to provide control signals for RF circuitry (eg switches and PA) in high power range extenders.

DIO3 / RFTX is asserted when the radio is in the transmit state and similarly, DIO2 / RFRX is asserted when the radio is in the receiver state.

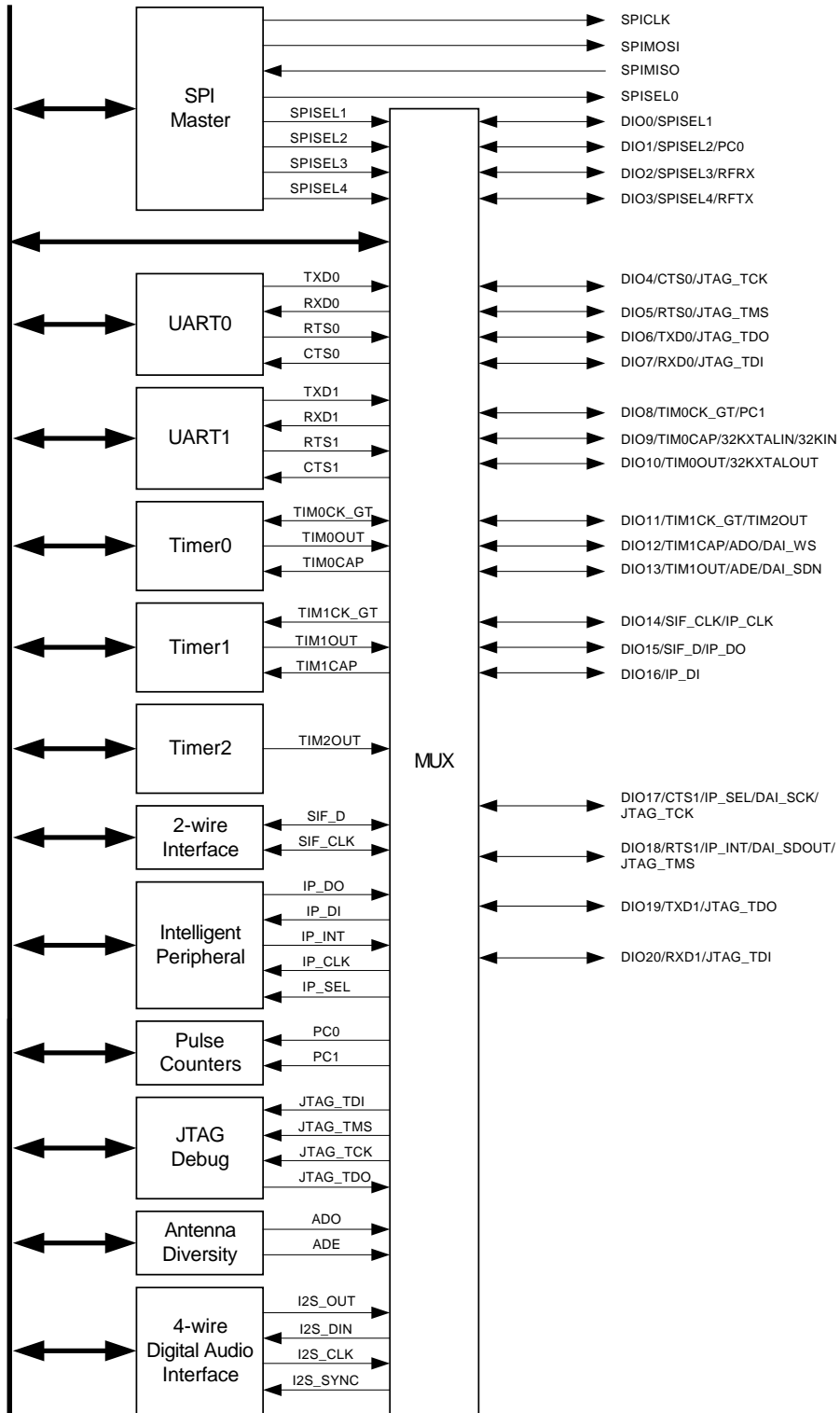


Figure 22 DIO Block Diagram

## 10 Serial Peripheral Interface

The Serial Peripheral Interface (SPI) allows high-speed synchronous data transfer between the JN5148 and peripheral devices. The JN5148 operates as a master on the SPI bus and all other devices connected to the SPI are expected to be slave devices under the control of the JN5148 CPU. The SPI includes the following features:

- Full-duplex, three-wire synchronous data transfer
- Programmable bit rates (up to 16Mbit/s)
- Programmable transaction size up to 32-bits
- Standard SPI modes 0,1,2 and 3
- Manual or Automatic slave select generation (up to 5 slaves)
- Maskable transaction complete interrupt
- LSB First or MSB First Data Transfer
- Supports delayed read edges

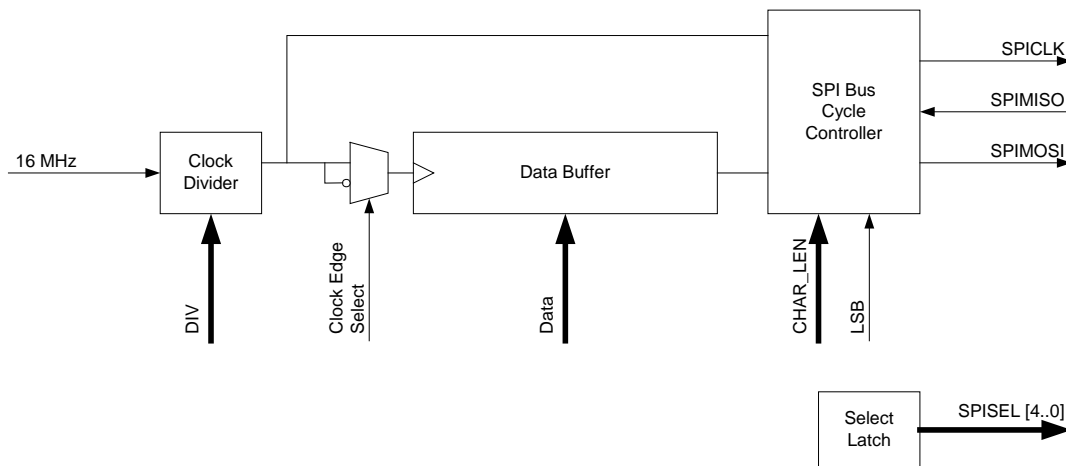


Figure 23: SPI Block Diagram

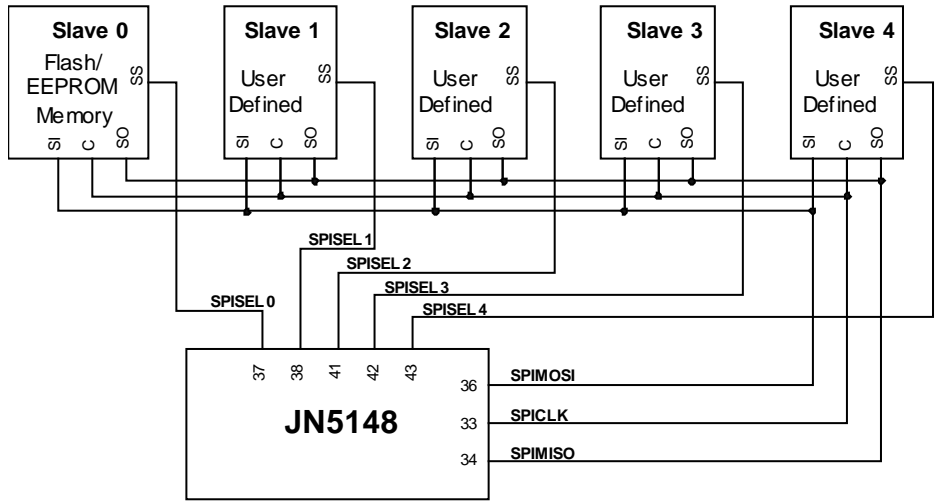
The SPI bus employs a simple shift register data transfer scheme. Data is clocked out of and into the active devices in a first-in, first-out fashion allowing SPI devices to transmit and receive data simultaneously.

There are three dedicated pins SPICLK, SPIMOSI, SPIMISO that are shared across all devices on the bus. Master-Out-Slave-In or Master-In-Slave-Out data transfer is relative to the clock signal SPICLK generated by the JN5148.

The JN5148 provides five slave selects, SPISEL0 to SPISEL4 to allow five SPI peripherals on the bus. SPISEL0 is a dedicated pin; this is generally connected to a serial Flash/ EEPROM memory holding application code that is downloaded to internal RAM via software from reset. SPISEL1 to 4, are alternate functions of pins DIO0 to 3 respectively.

The interface can transfer from 1 to 32-bits without software intervention and can keep the slave select lines asserted between transfers when required, to enable longer transfers to be performed.

When the device reset is active, the three outputs SPISEL, SPICLK and SPI\_MOSI are tri-stated and SPI\_MISO is set to be an input. The pull-up resistors associated with all four pins will be active at this time.



**Figure 24: Typical JN5148 SPI Peripheral Connection**

The data transfer rate on the SPI bus is determined by the SPICLK signal. The JN5148 supports transfers at selectable data rates from 16MHz to 125kHz selected by a clock divider. Both SPICLK clock phase and polarity are configurable. The clock phase determines which edge of SPICLK is used by the JN5148 to present new data on the SPIMOSI line; the opposite edge will be used to read data from the SPIMISO line. The interface should be configured appropriately for the SPI slave being accessed.

SPICLK		Mode	Description
Polarity (CPOL)	Phase (CPHA)		
0	0	0	SPICLK is low when idle – the first edge is positive. Valid data is output on SPIMOSI before the first clock and changes every negative edge. SPIMISO is sampled every positive edge.
0	1	1	SPICLK is low when idle – the first edge is positive. Valid data is output on SPIMOSI every positive edge. SPIMISO is sampled every negative edge.
1	0	2	SPICLK is high when idle – the first edge is negative. Valid data is output on SPIMOSI before the first clock edge and is changed every positive edge. SPIMISO is sampled every negative edge.
1	1	3	SPICLK is high when idle – the first edge is negative. Valid data is output on SPIMOSI every negative edge. SPIMISO is sampled every positive edge.

**Table 3 SPI Configurations**

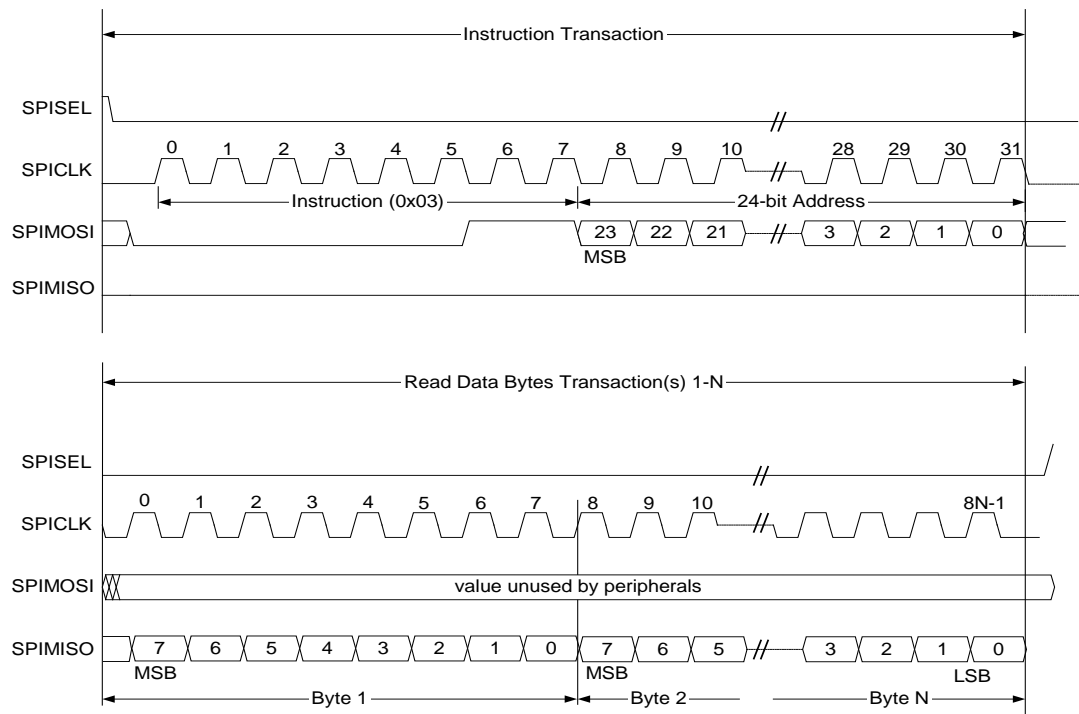
If more than one SPISEL line is to be used in a system they must be used in numerical order starting from SPISEL0. For instance if 3 SPI select lines are to be used, they must be SPISEL0, 1 and 2. A SPISEL line can be automatically deasserted between transactions if required, or it may stay asserted over a number of transactions. For devices such as memories where a large amount of data can be received by the master by continually providing SPICLK transitions, the ability for the select line to stay asserted is an advantage since it keeps the slave enabled over the whole of the transfer.

A transaction commences with the SPI bus being set to the correct configuration, and then the slave device is selected. Upon commencement of transmission (1 to 32 bits) data is placed in the FIFO data buffer and clocked out, at the same time generating the corresponding SPICLK transitions. Since the transfer is full-duplex, the same number of data bits is being received from the slave as it transmits. The data that is received during this transmission can be read (1 to 32 bits). If the master simply needs to provide a number of SPICLK transitions to allow data to be

sent from a slave, it should perform transmit using dummy data. An interrupt can be generated when the transaction has completed or alternatively the interface can be polled.

If a slave device wishes to signal the JN5148 indicating that it has data to provide, it may be connected to one of the DIO pins that can be enabled as an interrupt.

Figure 25 shows a complex SPI transfer, reading data from a FLASH device, that can be achieved using the SPI master interface. The slave select line must stay low for many separate SPI accesses, and therefore manual slave select mode must be used. The required slave select can then be asserted (active low) at the start of the transfer. A sequence 8 and 32 bit transfers can be used to issue the command and address to the FLASH device and then to read data back. Finally, the slave select can be deselected to end the transaction.



**Figure 25: Example SPI Waveforms – Reading from FLASH device using Mode 0**

# 11 Timers

## 11.1 Peripheral Timer/Counters

Three general-purpose timer/counter units are available that can be independently configured to operate in one of five possible modes. Timer 0 and 1 support all 5 modes of operation and Timer 2 supports PWM and Delta-Sigma modes only. The timers have the following:

- 5-bit prescaler, divides system clock by  $2^{\text{prescale value}}$  as the clock to the timer (prescaler range is 0 to 16)
- Clocked from internal system clock (16MHz)
- 16-bit counter, 16-bit Rise and Fall (period) registers
- Timer: can generate interrupts off Rise and Fall counts. Can be gated by external signal
- Counter: counts number of transitions on external event signal. Can use low-high, high-low or both transitions
- PWM/Single pulse: outputs repeating Pulse Width Modulation signal or a single pulse. Can set period and mark-space ratio
- Capture: measures times between transitions of an applied signal
- Delta-Sigma: Return-To-Zero (RTZ) and Non-Return-to-Zero (NRZ) modes
- Timer usage of external IO can be controlled on a pin by pin basis

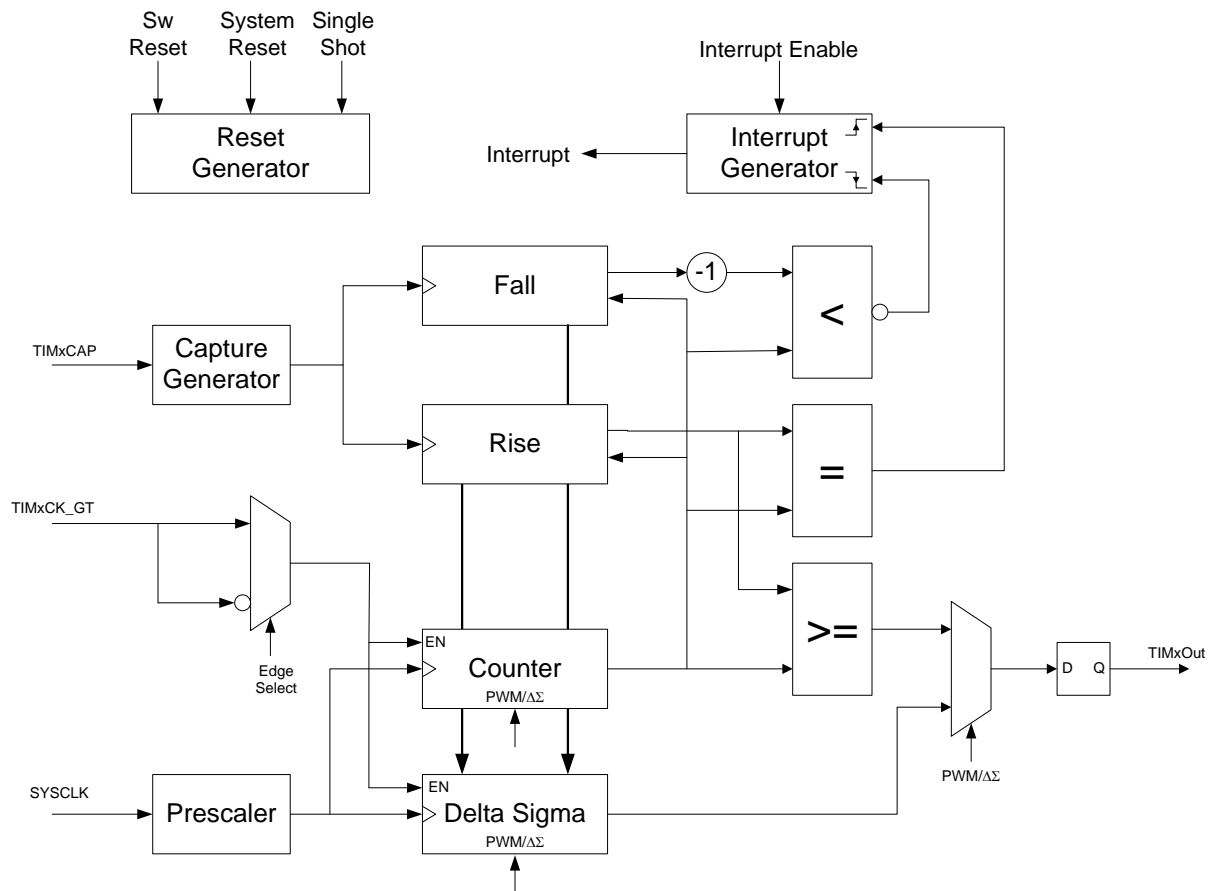


Figure 26: Timer Unit Block Diagram

---

The clock source for the timer unit is fed from the 16MHz system clock. This clock passes to a 5-bit prescaler where a value of 0 leaves the clock unmodified and other values divide it by  $2^{\text{prescale}}$  value. For example, a prescale value of 2 applied to the 16MHz system clock source results in a timer clock of 4MHz.

The counter is optionally gated by a signal on the clock/gate input (TIMxCK\_GT). If the gate function is selected, then the counter is frozen when the clock/gate input is high.

An interrupt can be generated whenever the counter is equal to the value in either of the High or Low registers.

The internal Output Enable (OE) signal enables or disables the timer output.

The Timer 0 signals CK\_GT, CAP and OUT are alternate functions of pins DIO8, 9 and 10 respectively and Timer 1 signals CK\_GT, CAP and OUT are alternate functions of pins DIO11, 12, and 13 respectively. Timer 2 OUT is an alternate function of DIO11. If operating in timer mode it is not necessary to use any of the DIO pins, allowing the standard DIO functionality to be available to the application.

Note, timer 0 may only be used as an internal timer or in counter mode (counting events) if an external 32kHz crystal is used. If timer 2 is used in PWM or Delta-Sigma mode then timer 1 does not have access to its clock/gate pin. Therefore, it can not operate in counter mode (counting events) or use the gate function.

### 11.1.1 Pulse Width Modulation Mode

Pulse Width Modulation (PWM) mode allows the user to specify an overall cycle time and pulse length within the cycle. The pulse can be generated either as a single shot or as a train of pulses with a repetition rate determined by the cycle time.

In this mode, the cycle time and low periods of the PWM output signal can be set by the values of two independent 16-bit registers (Fall and Rise). The counter increments and its output is compared to the 16-bit Rise and Fall registers. When the counter is equal to the Rise register, the PWM output is set to high; when the counter reaches the Fall value, the output returns to low. In continuous mode, when the counter reaches the Fall value, it will reset and the cycle repeats. The PWM waveform is available on TIMxOUT when the output driver is enabled.

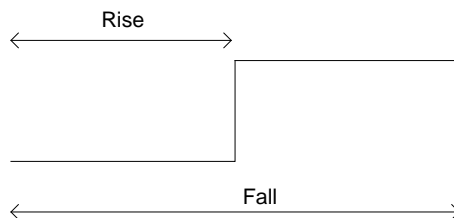


Figure 27: PWM Output Timings

### 11.1.2 Capture Mode

The capture mode can be used to measure the time between transitions of a signal applied to the capture input (TIMxCAP). When the capture is started, on the next low-to-high transition of the captured signal, the count value is stored in the Rise register, and on the following high-to-low transition, the counter value is stored in the Fall register. The pulse width is the difference in counts in the two registers multiplied by the period of the prescaled clock. Upon reading the capture registers the counter is stopped. The values in the High and Low registers will be updated whenever there is a corresponding transition on the capture input, and the value stored will be relative to when the mode was started. Therefore, if multiple pulses are seen on TIMxCAP before the counter is stopped only the last pulse width will be stored.

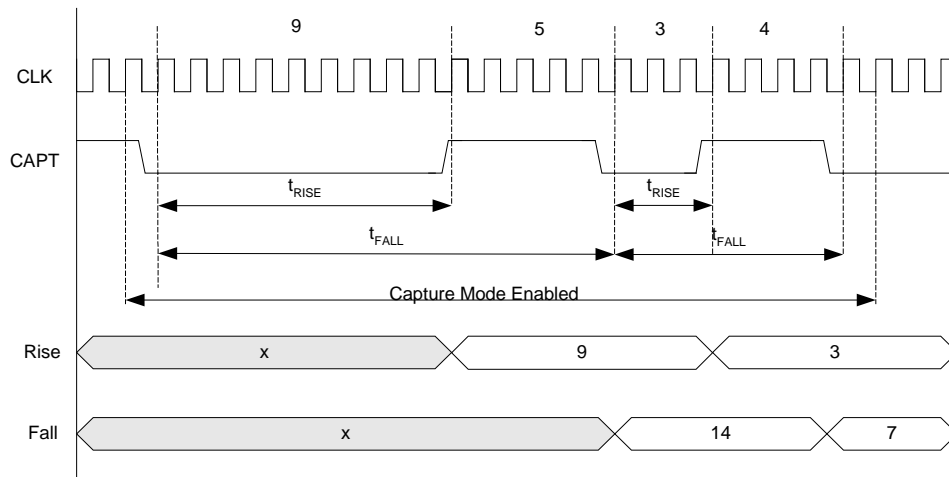


Figure 28: Capture Mode

### 11.1.3 Counter/Timer Mode

The counter/timer can be used to generate interrupts, based on the timers or event counting, for software to use. As a timer the clock source is from the system clock, prescaled if required. The timer period is programmed into the Fall register and the Fall register match interrupt enabled. The timer is started as either a single-shot or a repeating timer, and generates an interrupt when the counter reaches the Fall register value.

When used to count external events on TIMxCK\_GT the clock source is selected from the input pin and the number of events programmed into the Fall register. The Fall register match interrupt is enabled and the counter started, usually in single shot mode. An interrupt is generated when the programmed number of transitions is seen on the input pin. The transitions counted can be configured to be rising, falling or both rising and falling edges.

Edges on the event signal must be at least 100nsec apart, i.e. pulses must be wider than 100nsec.

### 11.1.4 Delta-Sigma Mode

A separate delta-sigma mode is available, allowing a low speed delta-sigma DAC to be implemented with up to 16-bit resolution. This requires that a resistor-capacitor network is placed between the output DIO pin and digital ground. A stream of pulses with digital voltage levels is generated which is integrated by the RC network to give an analogue voltage. A conversion time is defined in terms of a number of clock cycles. The width of the pulses generated is the period of a clock cycle. The number of pulses output in the cycle, together with the integrator RC values, will determine the resulting analogue voltage. For example, generating approximately half the number of pulses that make up a complete conversion period will produce a voltage on the RC output of  $V_{DD1}/2$ , provided the RC time constant is chosen correctly. During a conversion, the pulses will be pseudo-randomly dispersed throughout the cycle in order to produce a steady voltage on the output of the RC network.

The output signal is asserted for the number of clock periods defined in the High register, with the total period being  $2^{16}$  cycles. For the same value in the High register, the pattern of pulses on subsequent cycles is different, due to the pseudo-random distribution.

The delta-sigma convertor output can operate in a Return-To-Zero (RTZ) or a Non-Return-to-Zero (NRZ) mode. The NRZ mode will allow several pulses to be output next to each other. The RTZ mode ensures that each pulse is separated from the next by at least one period. This improves linearity if the rise and fall times of the output are different to one another. Essentially, the output signal is low on every other output clock period, and the conversion cycle time is twice the NRZ cycle time i.e.  $2^{17}$  clocks. The integrated output will only reach half  $V_{DD2}$  in RTZ mode, since even at full scale only half the cycle contains pulses. Figure 29 and Figure 30 illustrate the difference between RTZ and NRZ for the same programmed number of pulses.



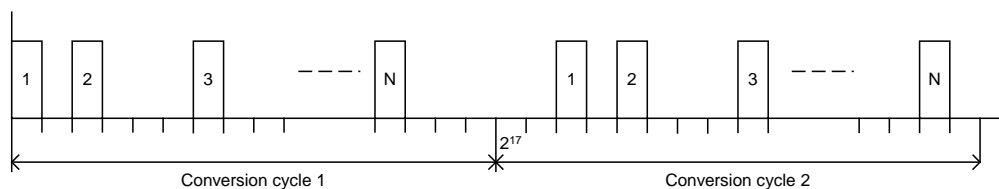


Figure 29: Return To Zero Mode in Operation

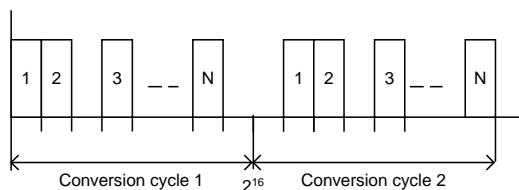


Figure 30: Non-Return to Zero Mode

### 11.1.5 Example Timer / Counter Application

Figure 31 shows an application of the JN5148 timers to provide closed loop speed control. Timer 0 is configured in PWM mode to provide a variable mark-space ratio switching waveform to the gate of the NFET. This in turn controls the power in the DC motor.

Timer 1 is configured to count the rising edge events on the clk/gate pin over a constant period. This converts the tacho pulse stream output into a count proportional to the motor speed. This value is then used by the application software executing the control algorithm.

If required for other functionality, then the unused IO associated with the timers could be used as general purpose DIO.

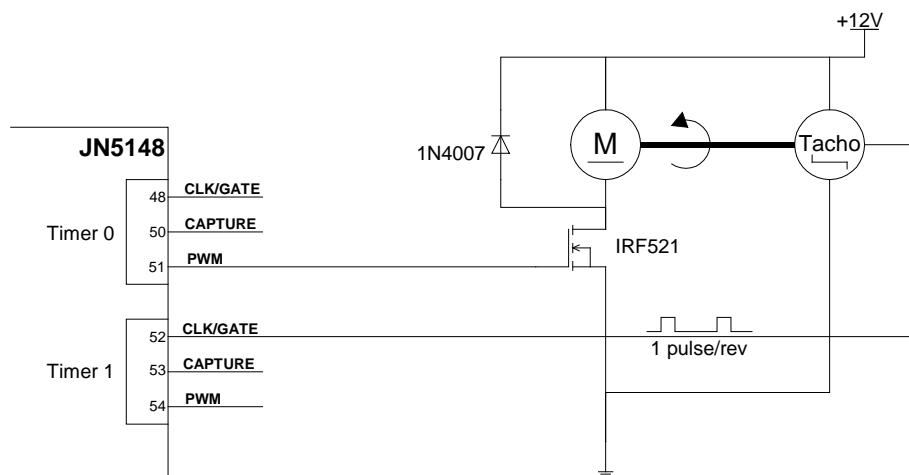


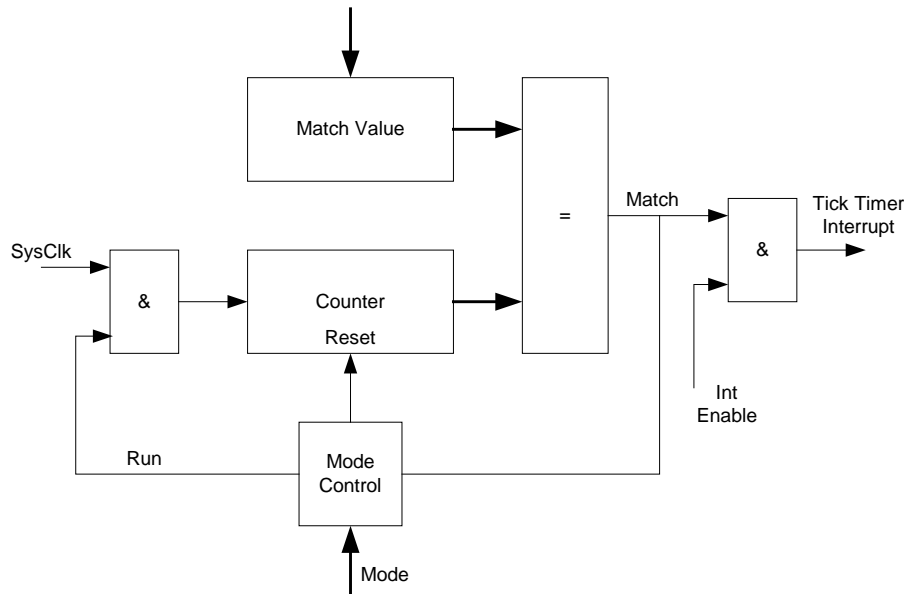
Figure 31: Closed Loop PWM Speed Control Using JN5148 Timers

## 11.2 Tick Timer

The JN5148 contains a hardware timer that can be used for generating timing interrupts to software. It may be used to implement regular events such as ticks for software timers or an operating system, as a high-precision timing reference or can be used to implement system monitor timeouts as used in a watchdog timer. Features include:

- 32-bit counter

- 28-bit match value
- Maskable timer interrupt
- Single-shot, Restartable or Continuous modes of operation



**Figure 32: Tick Timer**

The Tick Timer is clocked from a continuous 16MHz clock, which is fed to a 32-bit wide resettable up-counter, gated by a signal from the mode control block. A match register allows comparison between the counter and a programmed value. The match value, measured in 16MHz clock cycles is programmed through software, in the range 0 to 0x0FFFFFFF. The output of the comparison can be used to generate an interrupt if the interrupt is enabled and used in controlling the counter in the different modes. Upon configuring the timer mode, the counter is also reset.

If the mode is programmed as single shot, the counter begins to count from zero until the match value is reached. The match signal will be generated which will cause an interrupt if enabled, and the counter will stop counting. The counter is restarted by reprogramming the mode.

If the mode is programmed as restartable, the operation of the counter is the same as for the single shot mode, except that when the match value is reached the counter is reset and begins counting from zero. An interrupt will be generated when the match value is reached if it is enabled.

Continuous mode operation is similar to restartable, except that when the match value is reached, the counter is not reset but continues to count. An interrupt will be generated when the match value is reached if enabled.

## 11.3 Wakeup Timers

Two 32-bit wakeup timers are available in the JN5148 driven from the 32kHz internal clock. They may run during sleep periods when the majority of the rest of the device is powered down, to time sleep periods or other long period timings that may be required by the application. The wakeup timers do not run during deep sleep and may optionally be disabled in sleep mode through software control. When a wakeup timer expires it typically generates an interrupt, if the device is asleep then the interrupt may be used as an event to end the sleep period. See Section 21 for further details on how they are used during sleep periods. Features include:

- 35-bit down-counter
- Optionally runs during sleep periods
- Clocked by 32kHz system clock; either 32kHz RC oscillator, 32kHz XTAL oscillator or 32kHz clock input

---

A wakeup timer consists of a 35-bit down counter clocked from the selected 32 kHz clock. An interrupt or wakeup event can be generated when the counter reaches zero. On reaching zero the counter will continue to count down until stopped, which allows the latency in responding to the interrupt to be measured. If an interrupt or wakeup event is required, the timer interrupt should be enabled before loading the count value for the period. Once the count value is loaded and counter started, the counter begins to count down; the counter can be stopped at any time through software control. The counter will remain at the value it contained when the timer was stopped and no interrupt will be generated. The status of the timers can be read to indicate if the timers are running and/or have expired; this is useful when the timer interrupts are masked. This operation will reset any expired status flags.

### 11.3.1 RC Oscillator Calibration

The RC oscillator that can be used to time sleep periods is designed to require very little power to operate and be self-contained, requiring no external timing components and hence is lower cost. As a consequence of using on-chip resistors and capacitors, the inherent absolute accuracy and temperature coefficient is lower than that of a crystal oscillator, but once calibrated the accuracy approaches that of a crystal oscillator. Sleep time periods should be as close to the desired time as possible in order to allow the device to wake up in time for important events, for example beacon transmissions in the IEEE802.15.4 protocol. If the sleep time is accurate, the device can be programmed to wake up very close to the calculated time of the event and so keep current consumption to a minimum. If the sleep time is less accurate, it will be necessary to wake up earlier in order to be certain the event will be captured. If the device wakes earlier, it will be awake for longer and so reduce battery life.

In order to allow sleep time periods to be as close to the desired length as possible, the true frequency of the RC oscillator needs to be determined to better than the initial 30% accuracy. The calibration factor can then be used to calculate the true number of nominal 32kHz periods needed to make up a particular sleep time. A calibration reference counter, clocked from the 16MHz system clock, is provided to allow comparisons to be made between the 32kHz RC clock and the 16MHz system clock when the JN5148 is awake.

Wakeup timer0 counts for a set number of 32kHz clock periods during which time the reference counter runs. When the wakeup timer reaches zero the reference counter is stopped, allowing software to read the number of 16MHz clock ticks generated during the time represented by the number of 32kHz ticks programmed in the wakeup timer. The true period of the 32kHz clock can thus be determined and used when programming a wakeup timer to achieve a better accuracy and hence more accurate sleep periods

For a RC oscillator running at exactly 32,000Hz the value returned by the calibration procedure should be 10000, for a calibration period of twenty 32,000Hz clock periods. If the oscillator is running faster than 32,000Hz the count will be less than 10000, if running slower the value will be higher. For a calibration count of 9000, indicating that the RC oscillator period is running at approximately 35kHz, to time for a period of 2 seconds the timer should be loaded with 71,111  $((10000/9000) \times (32000 \times 2))$  rather than 64000.

---

## 12 Pulse Counters

Two 16-bit counters are provided that can increment during all modes of operation (including sleep), based on pulses received on 2 dedicated DIO inputs; DIO1 and DIO8. The pulses can be de-bounced using the 32kHz clock to guard against false counting on slow or noisy edges. Increments occur from a configurable rising or falling edge on the respective DIO input.

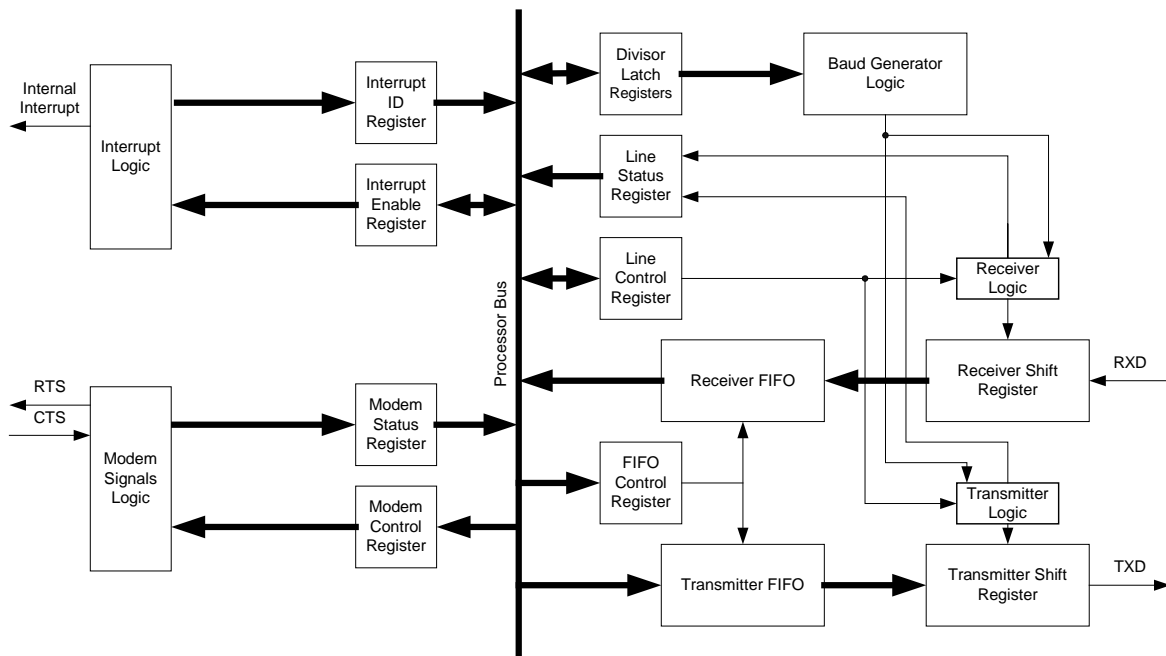
Each counter has an associated 16-bit reference that is loaded by the user. An interrupt (and wakeup event if asleep) may be generated when a counter reaches its pre-configured reference value. The two counters may optionally be cascaded together to provide a single 32-bit counter, linked to DIO1. The counters do not saturate at 65535, but naturally roll-over to 0. Additionally, the pulse counting continues when the reference value is reached without software interaction so that pulses are not missed even if there is a long delay before an interrupt is serviced or during the wakeup process.

The system can work with signals up to 100kHz, with no debounce, or from 5.3kHz to 1.7kHz with debounce. When using debounce the 32kHz clock must be active, so for minimum sleep currents the debounce mode should not be used.

## 13 Serial Communications

The JN5148 has two independent Universal Asynchronous Receiver/Transmitter (UART) serial communication interfaces. These provide similar operating features to the industry standard 16550A device operating in FIFO mode. Each interface performs serial-to-parallel conversion on incoming serial data and parallel-to-serial conversion on outgoing data from the CPU to external devices. In both directions, a 16-byte deep FIFO buffer allows the CPU to read and write multiple characters on each transaction. This means that the CPU is freed from handling data on a character-by-character basis, with the associated high processor overhead. The UARTs have the following features:

- Emulates behaviour of industry standard NS16450 and NS16550A UARTs
- 16 byte transmit and receive FIFO buffers reduce interrupts to CPU, with direct access to fill levels of each
- Adds / deletes standard start, stop and parity communication bits to or from the serial data
- Independently controlled transmit, receive, status and data sent interrupts
- Optional modem flow control signals CTS and RTS
- Fully programmable data formats: baud rate, start, stop and parity settings
- False start bit detection, parity, framing and FIFO overrun error detect and break indication
- Internal diagnostic capabilities: loop-back controls for communications link fault isolation
- Flow control by software or automatically by hardware



**Figure 33: UART Block Diagram**

The serial interface contains programmable fields that can be used to set number of data bits (5, 6, 7 or 8), even, odd, set-at-1, set-at-0 or no-parity detection and generation of single or multiple stop bit, (for 5 bit data, multiple is 1.5 stop bits; for 6, 7 or 8 data bits, multiple is 2 bits).

The baud rate is programmable up to 1Mbps, standard baud rates such as 4800, 9600, 19.2k, 38.4k etc. can be configured.

For applications requiring hardware flow control, two control signals are provided: Clear-To-Send (CTS) and Request-To-Send (RTS). CTS is an indication sent by an external device to the UART that it is ready to receive data. RTS is an indication sent by the UART to the external device that it is ready to receive data. RTS is controlled from software, while the value of CTS can be read. Monitoring and control of CTS and RTS is a software activity, normally performed as part of interrupt processing. The signals do not control parts of the UART hardware, but simply indicate to software the state of the UART external interface. Alternatively, the Automatic Flow Control mode can be set

where the hardware controls the value of the generated RTS (negated if the receive FIFO fill level is greater than a programmable threshold of 8, 11, 13 or 15 bytes), and only transmits data when the incoming CTS is asserted.

Software can read characters, one byte at a time, from the Receive FIFO and can also write to the Transmit FIFO, one byte at a time. The Transmit and Receive FIFOs can be cleared and reset independently of each other. The status of the transmitter can be checked to see if it is empty, and if there is a character being transmitted. The status of the receiver can also be checked, indicating if conditions such as parity error, framing error or break indication have occurred. It also shows if an overrun error occurred (receive buffer full and another character arrives) and if there is data held in the receive FIFO.

UART 0 signals CTS, RTS, TXD and RXD are alternate functions of pins DIO4, 5, 6 and 7 respectively and UART 1 signals CTS, RTS, TXD and RXD are alternate functions of pins DIO17, 18, 19 and 20 respectively. If CTS and RTS are not required on the devices external pins, then they may be disabled, this allows the DIOx function to be used for other purposes.

Note: With the automatic flow control threshold set to 15, the hardware flow control within the UART block negates RTS when the receive FIFO is about to become full. In some instances it has been observed that remote devices that are transmitting data do not respond quickly enough to the de-asserted CTS and continue to transmit data. In these instances the data will be lost in a receive FIFO overflow.

## 13.1 Interrupts

Interrupt generation can be controlled for the UART block, and is divided into four categories:

- Received Data Available: Is set when data in the Rx FIFO queue reaches a particular level (the trigger level can be configured as 1, 4, 8 or 14) or if no character has been received for 4 character times.
- Transmit FIFO Empty: set when the last character from the Tx FIFO is read and starts to be transmitted.
- Receiver Line Status: set when one of the following occur (1) Parity Error - the character at the head of the receive FIFO has been received with a parity error, (2) Overrun Error - the Rx FIFO is full and another character has been received at the Receiver shift register, (3) Framing Error - the character at the head of the receive FIFO does not have a valid stop bit and (4) Break Interrupt – occurs when the RxD line has been held low for an entire character.
- Modem Status: Generated when the CTS (Clear To Send) input control line changes.

## 13.2 UART Application

The following example shows the UART connected to a 9-pin connector compatible with a PC. As the JN5148 device pins do not provide the RS232 line voltage, a level shifter is used.

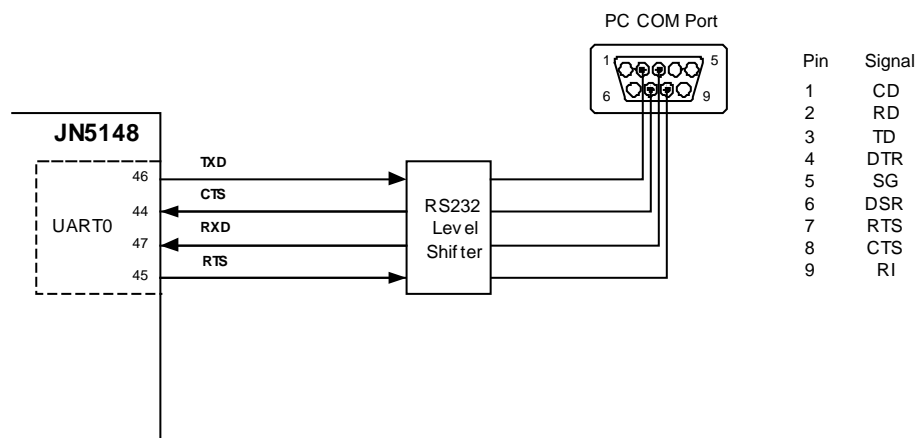


Figure 34: JN5148 Serial Communication Link

---

## 14 JTAG Debug Interface

The JN5148 includes an IEEE1149.1 compliant JTAG port for the sole purpose of software code debug with NXP's Software Development Kit. The JTAG interface is disabled by default and is enabled under software control. Therefore, debugging is only possible if enabled by the application. Once enabled, the application executes as normal until the external debugger controller initiates debug activity.

The Debugger supports breakpoints and watchpoints based on four comparisons between any of program counter, load/store effective address and load/store data. There is the ability to chain the comparisons together. There is also the ability, under debugger control to perform the following commands: go, stop, reset, step over/into/out/next, run to cursor and breakpoints. In addition, under control of the debugger, it is possible to:

- Read and write registers on the wishbone bus
- Read ROM and RAM, and write to RAM
- Read and write CPU internal registers

The Debugger interface is accessed, depending upon the configuration, through the pins used for UART0 or UART1. This is enabled under software control and is dealt with in JN-AN-1118 JN5148 Application Debugging [4]. The following table details which DIO are used for the JTAG interface depending upon the configuration.

Signal	DIO Assignment	
	UART0 pins	UART1 pins
clock (TCK)	4	17
control (TMS)	5	18
data out (TDO)	6	19
data in (TDI)	7	20

**Table 4 Hardware Debugger IO**

If doze mode is active when debugging is started, the processor will be woken and then respond to debugger commands. It is not possible to wake the device from sleep using the debug interface and debugging is not available while the device is sleeping.

When using the debug interface, program execution is halted, and control of the CPU is handed to the debugger. The watchdog, tick timer and the three timers described in section 11 are stalled while the debugger is in control of the CPU.

When control is handed from the CPU to the debugger or back a small number of CPU clock cycles are taken flushing or reloading the CPU pipeline. Because of this, when a program is halted by the debugger and then restarted again, a small number of tick timer cycles will elapse.

It is possible to prevent all hardware debugging by blowing the relevant Efuse bit.

The JTAG interface does not support boundary scan testing. It is recommended that the JN5148 is not connected as part of the board scan chain.

## 15 Two-Wire Serial Interface

The JN5148 includes industry standard two-wire synchronous Serial Interface operates as a Master (MSIF) or Slave (SSIF) that provides a simple and efficient method of data exchange between devices. The system uses a serial data line (SIF\_D) and a serial clock line (SIF\_CLK) to perform bi-directional data transfers and includes the following features:

Common to both master and slave:

- Compatible with both I<sup>2</sup>C and SMBus peripherals
- Support for 7 and 10-bit addressing modes
- Optional pulse suppression on signal inputs

Master only:

- Multi-master operation
- Software programmable clock frequency
- Clock stretching and wait state generation
- Software programmable acknowledge bit
- Interrupt or bit-polling driven byte-by-byte data-transfers
- Bus busy detection

Slave only:

- Programmable slave address
- Simple byte level transfer protocol
- Write data flow control with optional clock stretching or acknowledge mechanism
- Read data preloaded or provided as required

### 15.1 Connecting Devices

The clock and data lines, SIF\_D and SIF\_CLK, are alternate functions of DIO15 and DIO14 respectively. The serial interface function of these pins is selected when the interface is enabled. They are both bi-directional lines, connected internally to the positive supply voltage via weak (45k $\Omega$ ) programmable pull-up resistors. However, it is recommended that external 4.7k $\Omega$  pull-ups be used for reliable operation at high bus speeds, as shown in Figure 35. When the bus is free, both lines are HIGH. The output stages of devices connected to the bus must have an open-drain or open-collector in order to perform the wired-AND function. The number of devices connected to the bus is solely dependent on the bus capacitance limit of 400pF.

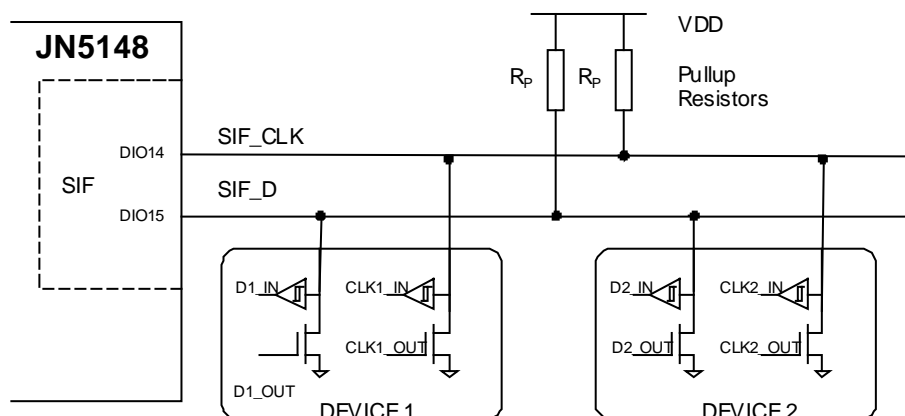


Figure 35: Connection Details



## 15.2 Clock Stretching

Slave devices can use clock stretching to slow down the transfer bit rate. After the master has driven SIF\_CLK low, the slave can drive SIF\_CLK low for the required period and then release it. If the slave's SIF\_CLK low period is greater than the master's low period the resulting SIF\_CLK bus signal low period is stretched thus inserting wait states.

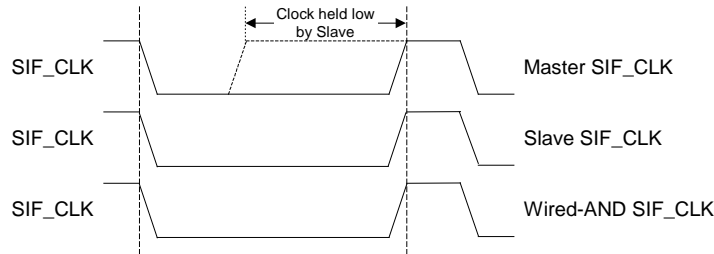


Figure 36: Clock Stretching

## 15.3 Master Two-wire Serial Interface

When operating as a master device, it provides the clock signal and a prescale register determines the clock rate, allowing operation up to 400kbit/s.

Data transfer is controlled from the processor bus interface at a byte level, with the processor responsible for indicating when start, stop, read, write and acknowledge control should be generated. Write data written into a transmit buffer will be written out across the two-wire interface when indicated, and read data received on the interface is made available in a receive buffer. Indication of when a particular transfer has completed may be indicated by means of an interrupt or by polling a status bit.

The first byte of data transferred by the device after a start bit is the slave address. The JN5148 supports both 7-bit and 10-bit slave addresses by generating either one or two address transfers. Only the slave with a matching address will respond by returning an acknowledge bit.

The master interface provides a true multi-master bus including collision detection and arbitration that prevents data corruption. If two or more masters simultaneously try to control the bus, a clock synchronization procedure determines the bus clock. Because of the wired-AND connection of the interface, a high-to-low transition on the bus affects all connected devices. This means a high-to-low transition on the SIF\_CLK line causes all concerned devices to count off their low period. Once the clock input of a device has gone low, it will hold the SIF\_CLK line in that state until the clock high state is reached when it releases the SIF\_CLK line. Due to the wired-AND connection, the SIF\_CLK line will therefore be held low by the device with the longest low period, and held high by the device with the shortest high period.

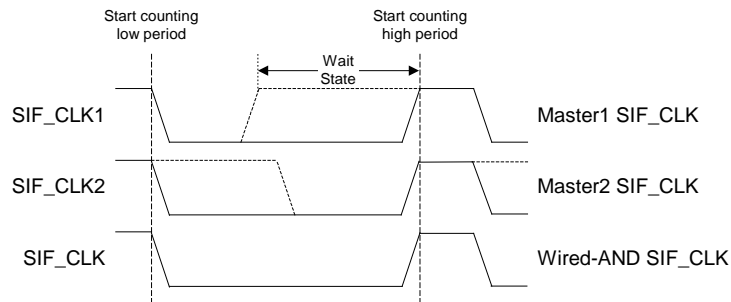


Figure 37: Multi-Master Clock Synchronisation

After each transfer has completed, the status of the device must be checked to ensure that the data has been acknowledged correctly, and that there has been no loss of arbitration. (N.B. Loss of arbitration may occur at any point during the transfer, including data cycles). An interrupt will be generated when arbitration has been lost.

---

## 15.4 Slave Two-wire Serial Interface

When operating as a slave device, the interface does not provide a clock signal, although it may drive the clock signal low if it is required to apply clock stretching.

Only transfers whose address matches the value programmed into the interface's address register are accepted. The interface allows both 7 and 10 bit addresses to be programmed, but only responds with an acknowledge to a single address. Addresses defined as "reserved" will not be responded to, and should not be programmed into the address register. A list of reserved addresses is shown in Table 5.

Address	Name	Behaviour
0000 000	General Call/Start Byte	Ignored
0000 001	CBUS address	Ignored
0000 010	Reserved	Ignored
0000 011	Reserved	Ignored
0000 1XX	Hs-mode master code	Ignored
1111 1XX	Reserved	Ignored
1111 0XX	10-bit address	Only responded to if 10 bit address set in address register

**Table 5 : List of two-wire serial interface reserved addresses**

Data transfer is controlled from the processor bus interface at a byte level, with the processor responsible for taking write data from a receive buffer and providing read data to a transmit buffer when indicated. A series of interrupt status bits are provided to control the flow of data.

For writes, in to the slave interface, it is important that data is taken from the receive buffer by the processor before the next byte of data arrives. To enable this, the interface may be configured to work in two possible backoff modes:

- Not Acknowledge mode – where the interface returns a Not Acknowledge (NACK) to the master if more data is received before the previous data has been taken. This will lead to the termination of the current data transfer.
- Clock Stretching mode – where the interface holds the clock line low until the previous data has been taken. This will occur after transfer of the next data but before issuing an acknowledge

For reads, from the slave interface, the data may be preloaded into the transmit buffer when it is empty (i.e. at the start of day, or when the last data has been read), or fetched each time a read transfer is requested. When using data preload, read data in the buffer must be replenished following a data write, as the transmit and received data is contained in a shared buffer. The interface will hold the bus using clock stretching when the transmit buffer is empty.

Interrupts may be triggered when:

- Data Buffer read data is required – a byte of data to be read should be provided to avoid the interface from clock stretching
- Data Buffer read data has been taken – this indicates when the next data may be preloaded into the data buffer
- Data Buffer write data is available – a byte of data should be taken from the data buffer to avoid data backoff as defined above
- The last data in a transfer has completed – i.e. the end of a burst of data, when a Stop or Restart is seen
- A protocol error has been spotted on the interface

---

## 16 Four-Wire Digital Audio Interface

The JN5148 includes a four-wire digital audio interface that can be used for interfacing to audio CODECs. The following features are supported:

- Compatible with the industry standard I<sup>2</sup>S interface
- Option to support I<sup>2</sup>S, left justified and right justified modes
- Optional support for connection to mono sample FIFO with data transferred on the left or right channel
- Master only
- Transmit on falling edge and receive on rising edge
- Up to 8MHz maximum clock range
- Maximum system size of 32-bits, allowing up to 16-bits per channel (left or right channels)
- Option for pad bit insertion, allowing length of transfer per channel to be anything from 16 to 32 bits
- Data Transfer size range of 1 to 16-bits per channel
- Option to invert WS (normally 0 for left, but allow 1 for left instead)
- Continuous clock output option to support CODECs which use it as a clock source
- Separate input and output data lines
- Option to invert idle state of WS (to indicate left or right)

The Word Select (WS), Data In (SDIN), Clock (SCK) and Data Out (SDOUT) lines are alternate functions of DIO lines 12,13,17 and 18 respectively.

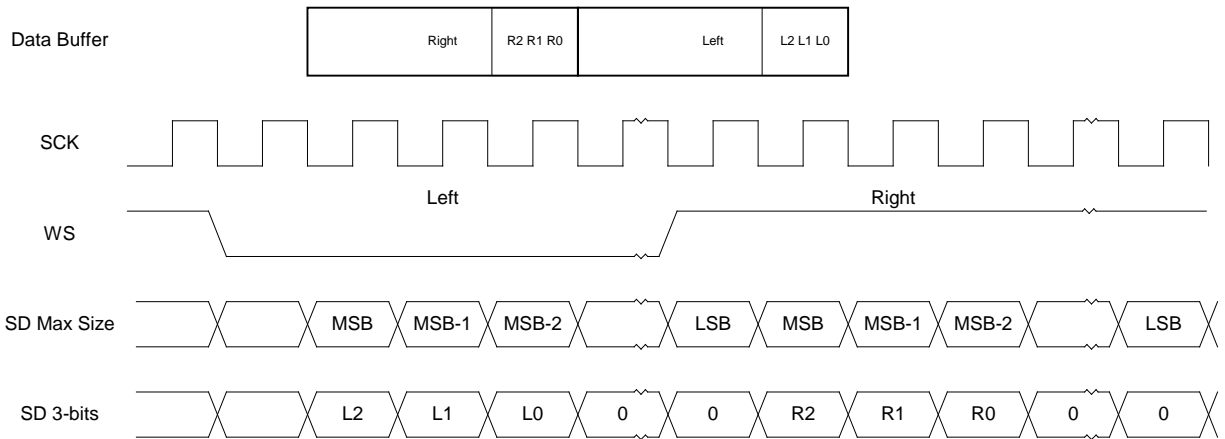
Data transfer is always bidirectional. Data placed in the Data Buffer before a transfer command is issued will be transmitted on SDOUT whilst the data received on SDIN will be placed in the Data Buffer at the end of the transfer. Indication that a transfer has completed is by means of an interrupt or by polling a status bit.

Left channel data is always sent first, with MSB first on each channel. The interface will always transfer both left and right channel data. For mono data transfer, the user should pad out the unused channel with 0's, and ignore any data returned on the unused channel.

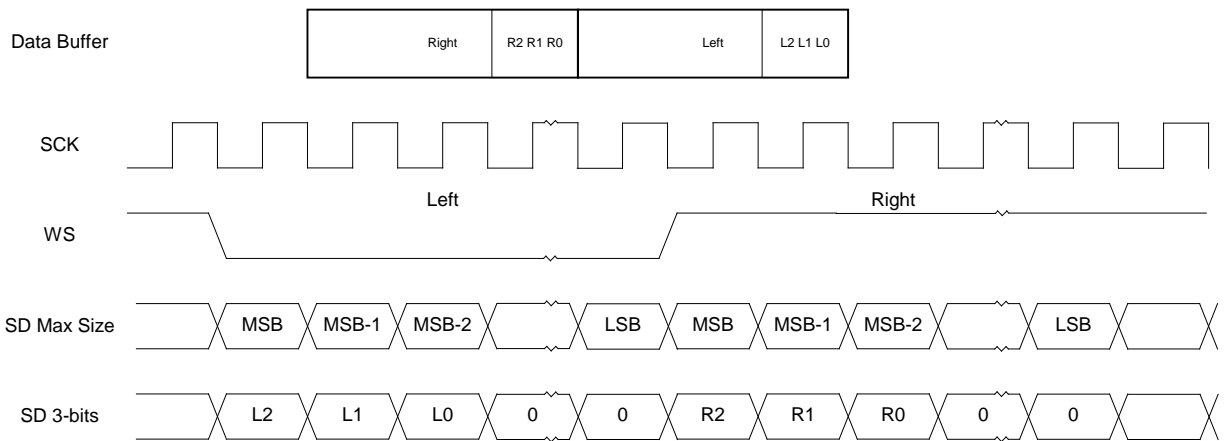
The length of a data transfer is derived as follows:

- When padding is disabled – Data Transfer Length = 2 x Data Transfer Size
- When padding is enabled – Data Transfer Length = 2 x (16 + Extra Pad Length)

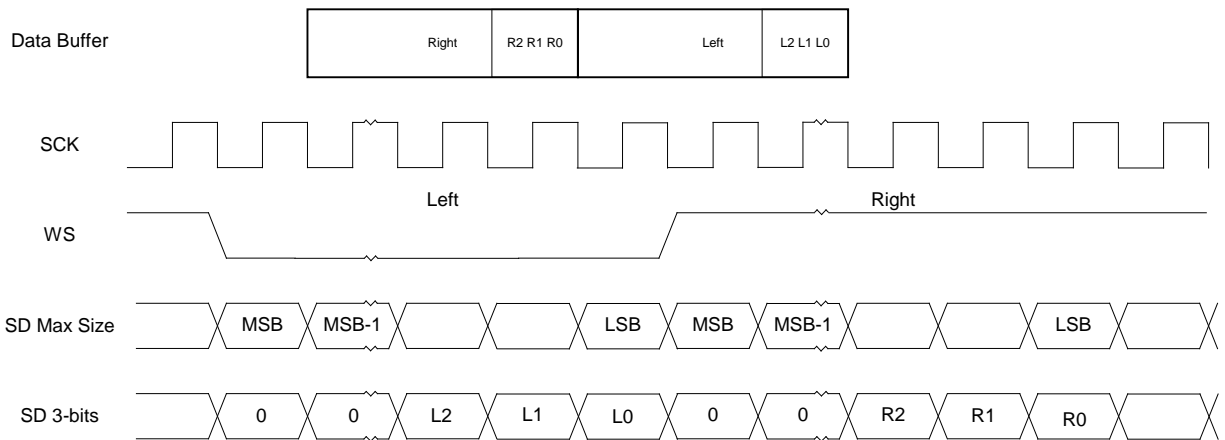
Timing of the 3 main modes is shown in Figure 38, Figure 39 and Figure 40. The Data Buffer shows how the data is stored and how it will be transferred onto the interface. SD Max Size indicates how the maximum transfer size (16 with no additional padding) will transfer, whilst SD 3-bits indicates how 3 bits of data will be aligned when padding is enabled. Received data in the Data Buffer will always be padded out with 0's if the Data Transfer Size is less than 16-bits, and any bits received beyond 16-bits when extra padding is used, will be discarded. In the examples, the polarity of WS is shown with Left channel = 0, and the idle state is Right Channel.



**Figure 38: I²S Mode**



**Figure 39: Left Justified Mode**



**Figure 40: Right Justified Mode**

---

## 17 Random Number Generator

A random number generator is provided which creates a 16-bit random number each time it is invoked. Consecutive calls can be made to build up any length of random number required. Each call takes approximately 0.25msec to complete. Alternatively, continuous generation mode can be used where a new number is generated approximately every 0.25msec. In either mode of operation an interrupt can be generated to indicate when the number is available, or a status bit can be polled.

The random bits are generated by sampling the state of the 32MHz clock every 32kHz system clock edge. As these clocks are asynchronous to each other, each sampled bit is unpredictable and hence random.

---

## 18 Sample FIFO

A 10 deep FIFO is provided to buffer data between the CPU and either the four-wire digital audio interface or the DAC/ ADC. It supports single channel input and output data, up to 16 bits wide. When used it can reduce the rate at which the processor has to generate/process data, and this may allow more efficient operation. Interrupts can be generated based on fill levels and also FIFO empty and full conditions. Normal configuration of the digital audio interface or the DAC/ ADC is still required when accessing the data via the FIFO.

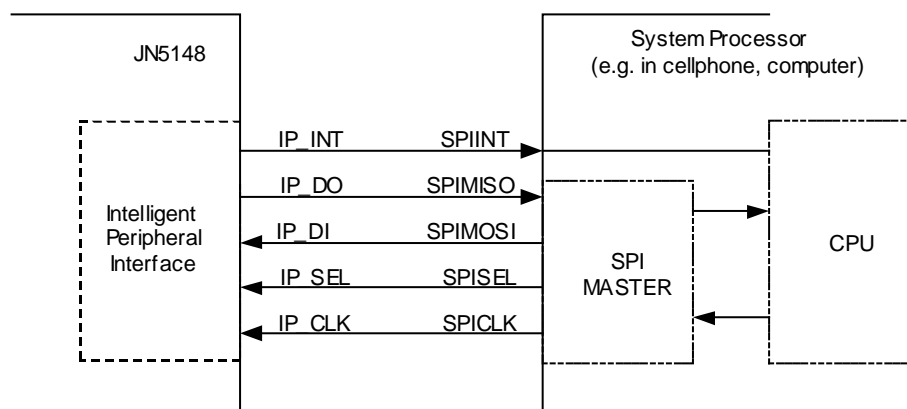
When used with the DAC / ADC functions a timing signal is generated by the DAC/ ADC functions to control the transfer of data to and from the FIFO and the analogue peripherals. The transfers will occur at the sample rate configured within the DAC / ADC functions.

When the FIFO is linked to the four-wire digital audio interface, timer 2 must be used to generate an internal timing signal to control the flow of data across the interface. The timer does not require any external pins to be enabled. The timer should be set up to produce a PWM output with a rising edge generated every time a digital audio transfer is required. The transfer rate is typically configured to be the audio sample rate, e.g. 8kHz. If the transfer rate is too fast or slow data will be transferred correctly between the FIFO and the digital audio block.

## 19 Intelligent Peripheral Interface

The Intelligent Peripheral (IP) Interface is provided for systems that are more complex, where there is a processor that requires a wireless peripheral. As an example, the JN5148 may provide a complete JenNet or ZigBee PRO wireless network interface to a phone, computer, PDA, set-top box or games console. No resources are required from the main processor compared to a transceiver as the complete wireless protocol may be run on the internal JN5148 CPU. The wireless peripheral may be controlled via one of the UARTs but the IP interface is intended to provide a high-speed, low-processor-overhead interface.

The intelligent peripheral interface is a SPI slave interface and uses pins shared with other DIO signals. The interface is designed to allow message passing and data transfer. Data received and transmitted on the IP interface is copied directly to and from a dedicated area of memory without intervention from the CPU. This memory area, the intelligent peripheral memory block, contains 64 32-bit word receive and transmit buffers.



**Figure 41: Intelligent Peripheral Connection**

The interface functions as a SPI slave. It is possible to select the clock edge of IP\_CLK on which data on the IP\_DIN line of the interface is sampled, and the state of data output IP\_DOUT is changed. The order of transmission is MSB first. The IP\_DO data output is tri-stated when the device is inactive, i.e. the device is not selected via IP\_SEL. An interrupt output line IP\_INT is available so that the JN5148 can indicate to an external master that it has data to transfer. The interface can be clocked at up to 8MHz

The IP interface signals IP\_CLK, IP\_DO, IP\_DI, IP\_SEL, IP\_INT are alternate functions of pins DIO14 to 18 respectively.

### 19.1 Data Transfer Format

Transfers are started by the remote processor asserting the IP\_SEL line and terminated by the remote processor de-asserting IP\_SEL.

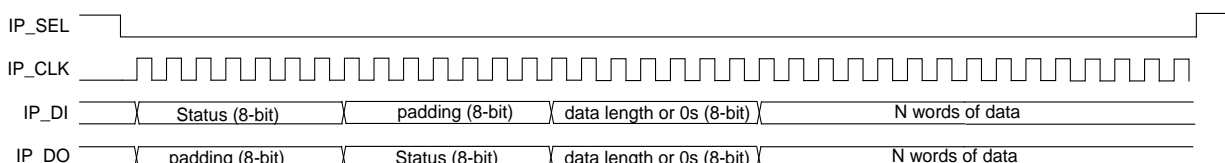
Data transfers are bi-directional and traffic in both directions has a format of status byte, data length byte (of the number of 32-bit words to transfer) and data packet (from the receive and transmit buffers), as shown in Figure 42. The first byte transferred into the JN5148 is a status byte with the format shown in Table 6. This is followed by a padding byte that should be set to zero. The first byte output by the JN5148 is a padding byte, that should be ignored, followed by a status byte with the format shown in Table 6

Bit	Field	Description
7:2	RSVD	Reserved, set to 0
1	TXQ	1: Data queued for transmission
0	RXRDY	1: Buffer ready to receive data

**Table 6: IP Status Byte Format**

If data is queued for transmission and the recipient has indicated that they are ready for it (RXRDY in incoming status byte was 1), the next byte to be transmitted is the data length in words (N). If either the JN5148 or the remote processor has no data to transfer, then the data length should be set to zero. The transaction can be terminated by the master after the status and padding bytes have been sent if it is not possible to send data in either direction. This may be because neither party has data to send or because the receiver does not have a buffer available. If the data length is non-zero, the data in the JN5148 transmit memory buffer is sent, beginning at the start of the buffer. At the same time that data bytes are being sent from the transmit buffer, the JN5148 receive buffer is being filled with incoming data, beginning from the start of the buffer.

The remote processor, acting as the master, must determine the larger of its incoming or outgoing data transfers and deassert IP\_SEL when all of the transmit and receive data has been transferred. The data is transferred into or out of the buffers starting from the lowest address in the buffer, and each word is assembled with the MSB first on the serial data lines. Following a transaction, IP\_SEL must be high (deasserted) for at least 400nsec before a further transaction can begin.



**Figure 42: Intelligent Peripheral Data Transfer Waveforms**

The N words of data transferred on the interface are also formatted. The first three bytes, of the first word, must be zero. These are followed by a one byte length field that must be one less than the data length shown in the data length field in Figure 42, i.e. N-1. Following this are the (N-1) words of data.

The application running on the JN5148 has high level software functions for sending and receiving data on this interface. The function of generating and interpreting the individual bytes on the interface is handled by hardware within the device. The remote processor must generate, and interpret, the signals in the interface. For instance, this may be done with a configurable SPI master interface.

## 19.2 JN5148 (Slave) Initiated Data Transfer

To send data, the data is written into either buffer 0 or 1 of the intelligent peripheral memory area. Then the buffer number is written together with the data length. If the call is successful, the interrupt line IP\_INT will signal to the remote processor that there is a message ready to be sent from the JN5148. When a remote processor starts a transfer to the JN5148 by deasserting IP\_SEL, then IP\_INT is deasserted. If the transfer is unsuccessful and the data is not output then IP\_INT is reasserted after the transfer to indicate that data is still waiting to be sent.

The interface can be configured to generate an internal interrupt whenever a transaction completes (for example IP\_SEL becomes inactive after a transfer starts). It is also possible to mask the interrupt. The end of the transmission can be signalled by an interrupt, or the interface can be polled.

To receive data the interface must be firstly initialised and when this is done, the bit RXRDY sent in the status byte from the IP block will show that data can be received by the JN5148. Successful data arrival can be indicated by an interrupt, or the interface can be polled. IP\_INT is asserted if the JN5148 is configured to be able to receive, and the remote processor has previously attempted to send data but the RXRDY indicated that it could not be sent.

To send and receive at the same time, the transmit and receive buffers must be set to be different.

## 19.3 Remote (Master) Processor Initiated Data Transfer

The remote processor (master) must initiate a transfer to send data to the JN5148 (slave) by asserting the slave select pin, IP\_SEL, and generating its status byte on IP\_DI with TXRDY set. After receiving the status byte from the JN5148, the master should check that the JN5148 has a buffer ready by reading the RXRDY bit of the received status byte. If the RXRDY bit is 0 indicating that the JN5148 cannot accept data, it must terminate the transfer by deasserting IP\_SEL unless it is receiving data from the JN5148. If the RXRDY bit is 1, indicating that the JN5148 can accept data, then the master should generate a further 8 clocks on IP\_CLK in order to transfer its own message length on IP\_DI. The master must continue clocking the interface until sufficient clocks have been generated to send



---

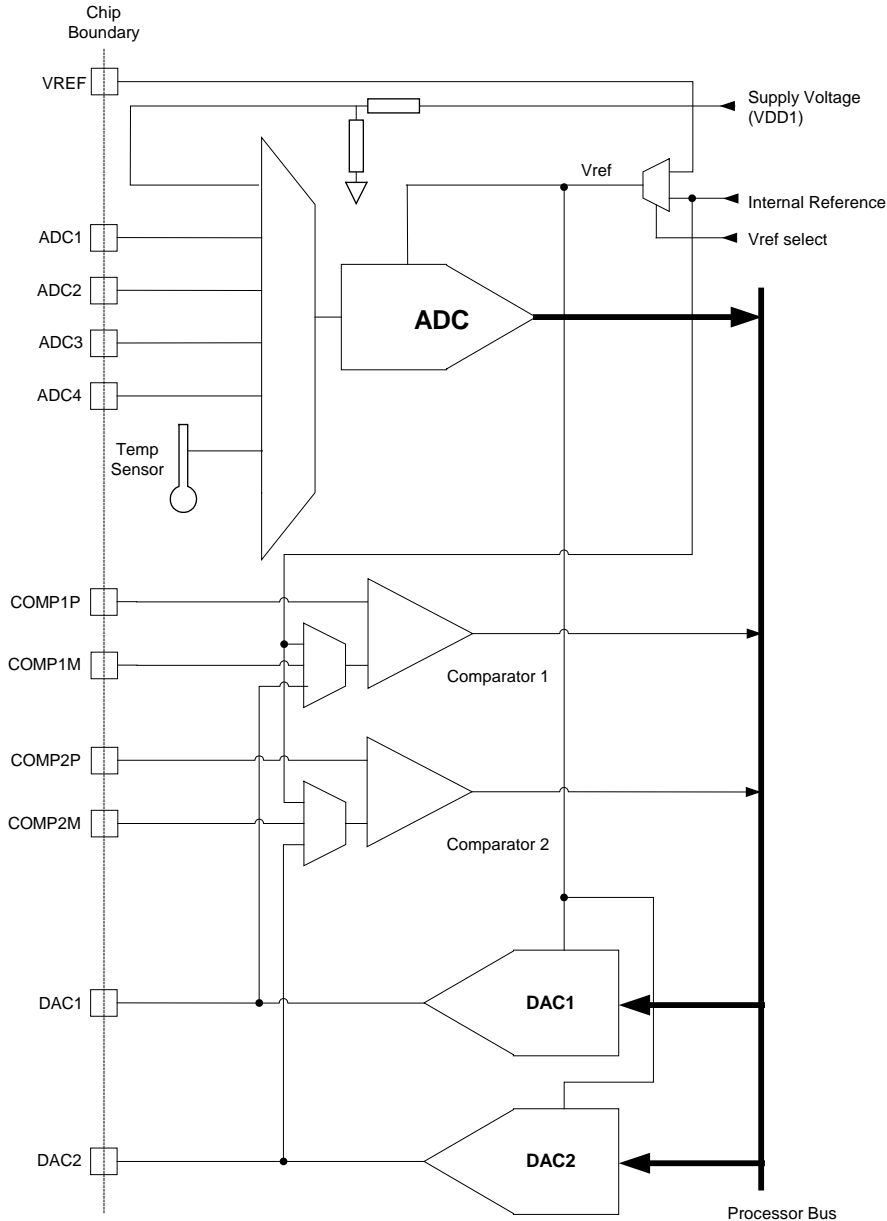
all the data specified in the length field to the JN5148. The master must then deassert IP\_SEL to show the transfer is complete.

The master may initiate a transfer to read data from the JN5148 by asserting the slave select pin, IP\_SEL, and generating its status byte on IP\_DI with RXRDY set. After receiving the status byte from the JN5148, it should check that the JN5148 has a buffer ready by reading the TXRDY bit of the received status byte. If the TXRDY bit is 0, indicating that the JN5148 does not have data to send, it must terminate the transfer by deasserting IP\_SEL unless it is transmitting data to the JN5148. If the TXRDY bit is 1, indicating that the JN5148 can send data, then the master must generate a further 8 clocks on IP\_CLK in order to receive the message length on IP\_DO. The master must continue clocking the interface until sufficient clocks have been generated to receive all the data specified in the length field from the JN5148. The master should then deassert IP\_SEL to show the transfer is complete.

Data can be sent in both directions at once and the master must ensure both transfers have completed before deasserting IP\_SEL.

## 20 Analogue Peripherals

The JN5148 contains a number of analogue peripherals allowing the direct connection of a wide range of external sensors, switches and actuators.



**Figure 43: Analogue Peripherals**

In order to provide good isolation from digital noise, the analogue peripherals are powered by a separate regulator, supplied from the analogue supply VDD1 and referenced to analogue ground VSSA.

A common reference Vref for the ADC and DAC can be selected between an internal bandgap reference or an external voltage reference supplied to the VREF pin. Gain settings for the ADC and DAC are independent of each other.

The ADC and DAC are clocked from a common clock source derived from the 16MHz clock

## 20.1 Analogue to Digital Converter

The 12-bit analogue to digital converter (ADC) uses a successive approximation design to perform high accuracy conversions as typically required in wireless sensor network applications. It has six multiplexed single-ended input channels: four available externally, one connected to an internal temperature sensor, and one connected to an internal supply monitoring circuit.

### 20.1.1 Operation

The input range of the ADC can be set between 0V to either the reference voltage or twice the reference voltage. The reference can be either taken from the internal voltage reference or from the external voltage applied to the VREF pin. For example, an external reference of 1.2V supplied to VREF may be used to set the ADC range between 0V and 2.4V.

VREF	Gain Setting	Maximum Input Range	Supply Voltage Range (VDD)
1.2V	0	1.2V	2.2V - 3.6V
1.6V	0	1.6V	2.2V - 3.6V
1.2V	1	2.4V	2.6V - 3.6V
1.6V	1	3.2V	3.4V - 3.6V

Table 7 ADC/DAC Maximum Input Range

The input clock to the ADC is 16MHz and can be divided down to 2MHz, 1MHz, 500kHz and 250kHz. During an ADC conversion the selected input channel is sampled for a fixed period and then held. This sampling period is defined as a number of ADC clock periods and can be programmed to 2, 4, 6 or 8. The conversion rate is  $((3 \times \text{Sample period}) + 14)$  clock periods. For example for 500kHz conversion with sample period of 2 will be  $(3 \times 2) + 14 = 20$  clock periods, 40usecs or 25kHz. . The ADC can be operated in either a single conversion mode or alternatively a new conversion can be started as soon as the previous one has completed, to give continuous conversions.

If the source resistance of the input voltage is 1k $\Omega$  or less, then the default sampling time of 2 clocks should be used. The input to the ADC can be modelled as a resistor of 5k $\Omega$ (typ) and 10k $\Omega$  (max) to represent the on-resistance of the switches and the sampling capacitor 8pF. The sampling time required can then be calculated, by adding the sensor source resistance to the switch resistance, multiplying by the capacitance giving a time constant. Assuming normal exponential RC charging, the number of time constants required to give an acceptable error can be calculated, 7 time constants gives an error of 0.1%, so for 12-bit accuracy 10 time constants should be the target. For a source with zero resistance, 10 time constants is 800 nsecs, hence the smallest sampling window of 2 clock periods can be used.

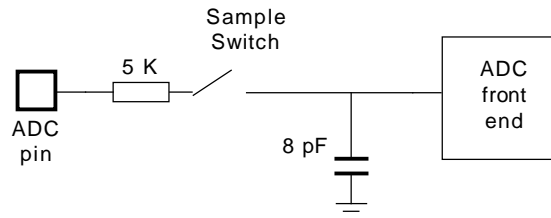


Figure 44 ADC Input Equivalent Circuit

The ADC sampling period, input range and mode (single shot or continuous) are controlled through software.

When the ADC conversion is complete, an interrupt is generated. Alternatively the conversion status can be polled. When operating in continuous mode, it is recommended that the interrupt is used to signal the end of a conversion, since conversion times may range from 10 to 152  $\mu$ secs. Polling over this period would be wasteful of processor bandwidth.

To facilitate averaging of the ADC values, which is a common practice in microcontrollers, a dedicated accumulator has been added, the user can define the accumulation to occur over 2,4,8 or 16 samples. The end of conversion

---

interrupt can be modified to occur at the end of the chosen accumulation period, alternatively polling can still be used. Software can then be used to apply the appropriate rounding and shifting to generate the average value, as well as setting up the accumulation function.

For detailed electrical specifications, see section 22.3.8.

## 20.1.2 Supply Monitor

The internal supply monitor allows the voltage on the analogue supply pin VDD1 to be measured. This is achieved with a potential divider that reduces the voltage by a factor of 0.666, allowing it to fall inside the input range of the ADC when set with an input range twice the internal voltage reference. The resistor chain that performs the voltage reduction is disabled until the measurement is made to avoid a continuous drain on the supply.

## 20.1.3 Temperature Sensor

The on chip temperature sensor can be used either to provide an absolute measure of the device temperature or to detect changes in the ambient temperature. In common with most on chip temperature sensors, it is not trimmed and so the absolute accuracy variation is large; the user may wish to calibrate the sensor prior to use. The sensor forces a constant current through a forward biased diode to provide a voltage output proportional to the chip die temperature which can then be measured using the ADC. The measured voltage has a linear relationship to temperature as described in section 22.3.15.

Because this sensor is on chip, any measurements taken must account for the thermal time constants. For example, if the device just came out of sleep mode the user application should wait until the temperature has stabilised before taking a measurement.

## 20.2 Digital to Analogue Converter

The Digital to Analogue Converter (DAC) provides two output channels and is capable of producing voltages of 0 to  $V_{ref}$  or 0 to  $2V_{ref}$  where  $V_{ref}$  is selected between the internal reference and the VREF pin, with a resolution of 12-bits and a minimum conversion time of 10 $\mu$ secs (2MHz clock).

### 20.2.1 Operation

The output range of each DAC can be set independently to swing between 0V to either the reference voltage or twice the reference voltage. The reference voltage is selected from the internal reference or the VREF pin. For example, an external reference of 0.8V supplied to VREF may be used to set DAC1 maximum output of 0.8V and DAC2 maximum output of 1.6V.

The DAC output amplifier is capable of driving a capacitive load up to that specified in section 22.3.9

Programmable clock periods allow a trade-off between conversion speed and resolution. The full 12-bit resolution is achieved with the 250kHz clock rate. See section 22.3.9 electrical characteristics, for more details.

The conversion period of the DACs are given by the same formula as the ADC conversion time and so can vary between 10 and 152 $\mu$ S. The DAC values may be updated at the same time as the ADC is active.

The clock divider ratio, interrupt enable and reference voltage select are all controlled through software, options common to both the ADC and DAC. The DAC output range and initial value can be set and the subsequent updates provided by updating only the DAC value. Polling is available to determine if a DAC channel is busy performing a conversion. The DAC can be disabled which will power down the DAC cell.

Simultaneous conversions with DAC1 and DAC2 are possible. To use both DACs at the same time it is only necessary to enable them and supply the digital values via the software. The DACs should not be used in single shot mode, but continuous conversion mode only, in order to maintain a steady output voltage.

---

## 20.3 Comparators

The JN5148 contains two analogue comparators COMP1 and COMP2 that are designed to have true rail-to-rail inputs and operate over the full voltage range of the analogue supply VDD1. The hysteresis level (common to both comparators) can be set to a nominal value of 0mV, 10mV, 20mV or 40mV. In addition, the source of the negative input signal for each comparator (COMP1M and COMP2M) can be set to the internal voltage reference, the output of DAC1 or DAC2 (COMP1 or COMP2 respectively) or the appropriate external pin. The comparator outputs are routed to internal registers and can be polled, or can be used to generate interrupts. The comparators can be disabled to reduce power consumption.

The comparators have a low power mode where the response time of the comparator is slower than normal and is specified in section 22.3.10. This mode may be used during non-sleep operation however it is particularly useful in sleep mode to wake up the JN5148 from sleep where low current consumption is important. The wakeup action and the configuration for which edge of the comparator output will be active are controlled through software. In sleep mode the negative input signal source, must be configured to be driven from the external pins.

---

# 21 Power Management and Sleep Modes

## 21.1 Operating Modes

Three operating modes are provided in the JN5148 that enable the system power consumption to be controlled carefully to maximise battery life.

- Active Processing Mode
- Sleep Mode
- Deep Sleep Mode

The variation in power consumption of the three modes is a result of having a series of power domains within the chip that may be controllably powered on or off.

### 21.1.1 Power Domains

The JN5148 has the following power domains:

- VDD Supply Domain: supplies the wake-up timers and controller, DIO blocks, Comparators, 32kHz RC and crystal oscillators. This domain is driven from the external supply (battery) and is always powered. The wake-up timers and controller, and the 32kHz RC and crystal oscillators may be powered on or off in sleep mode through software control.
- Digital Logic Domain: supplies the digital peripherals, CPU, ROM, Baseband controller, Modem and Encryption processor. It is powered off during sleep mode.
- Analogue Domain: supplies the ADC, DACs and the temperature sensor. It is powered off during sleep mode and may be powered on or off in active processing mode through software control.
- RAM Domain: supplies the RAM during sleep mode to retain the memory contents. It may be powered on or off for sleep mode through software control.
- Radio Domain: supplies the radio interface. It is powered during transmit and receive and controlled by the baseband processor. It is powered off during sleep mode.

The current consumption figures for the different modes of operation of the device is given in section 22.2.2.

## 21.2 Active Processing Mode

Active processing mode in the JN5148 is where all of the application processing takes place. By default, the CPU will execute at the selected clock speed executing application firmware. All of the peripherals are available to the application, as are options to actively enable or disable them to control power consumption; see specific peripheral sections for details.

Whilst in Active processing mode there is the option to doze the CPU but keep the rest of the chip active; this is particularly useful for radio transmit and receive operations, where the CPU operation is not required therefore saving power.

### 21.2.1 CPU Doze

Whilst in doze mode, CPU operation is stopped but the chip remains powered and the digital peripherals continue to run. Doze mode is entered through software and is terminated by any interrupt request. Once the interrupt service routine has been executed, normal program execution resumes. Doze mode uses more power than sleep and deep sleep modes but requires less time to restart and can therefore be used as a low power alternative to an idle loop.

Whilst in CPU doze the current associated with the CPU is not consumed, therefore the basic device current is reduced as shown in the figures in section 22.2.2.1.

## 21.3 Sleep Mode

The JN5148 enters sleep mode through software control. In this mode most of the internal chip functions are shutdown to save power, however the state of DIO pins are retained, including the output values and pull-up enables,

---

and this therefore preserves any interface to the outside world. The DAC outputs are placed into a high impedance state.

When entering into sleep mode, there is an option to retain the RAM contents throughout the sleep period. If the wakeup timers are not to be used for a wakeup event and the application does not require them to run continually, then power can be saved by switching off the 32kHz oscillator if selected as the system clock through software control. The oscillator will be restarted when a wakeup event occurs.

Whilst in sleep mode one of four possible events can cause a wakeup to occur: transitions on DIO inputs, expiry of wakeup timers, pulse counters maturing or comparator events. If any of these events occur, and the relevant interrupt is enabled, then an interrupt is generated that will cause a wakeup from sleep. It is possible for multiple wakeup sources to trigger an event at the same instant and only one of them will be accountable for the wakeup period. It is therefore necessary in software to remove all other pending wakeup events prior to requesting entry back into sleep mode; otherwise, the device will re-awaken immediately.

When wakeup occurs, a similar sequence of events to the reset process described in section 6.1 happens, including the checking of the supply voltage by the Brown Out Detector 6.4. The 32MHz oscillator is started up, once stable the power to CPU system is enabled and the reset is removed. Software determines that this is a reset from sleep and so commences with the wakeup process. If RAM contents were held through sleep, wakeup is quicker as the application program does not have to be reloaded from Flash memory. See section 22.3.6 for wake-up timings.

### **21.3.1 Wakeup Timer Event**

The JN5148 contains two 35-bit wakeup timers that are counters clocked from the 32kHz oscillator, and can be programmed to generate a wake-up event. Following a wakeup event, the timers continue to run. These timers are described in section 11.3.

Timer events can be generated from both of the two timers; one is intended for use by the 802.15.4 protocol, the other being available for use by the Application running on the CPU. These timers are available to run at any time, even during sleep mode.

### **21.3.2 DIO Event**

Any DIO pin when used as an input has the capability, by detecting a transition, to generate a wake-up event. Once this feature has been enabled the type of transition can be specified (rising or falling edge). Even when groups of DIO lines are configured as alternative functions such as the UARTs or Timers etc, any input line in the group can still be used to provide a wakeup event. This means that an external device communicating over the UART can wakeup a sleeping device by asserting its RTS signal pin (which is the CTS input of the JN5148).

### **21.3.3 Comparator Event**

The comparator can generate a wakeup interrupt when a change in the relative levels of the positive and negative inputs occurs. The ability to wakeup when continuously monitoring analogue signals is useful in ultra-low power applications. For example, the JN5148 can remain in sleep mode until the voltage drops below a threshold and then be woken up to deal with the alarm condition.

### **21.3.4 Pulse Counter**

The JN5148 contains two 16 bit pulse counters that can be programmed to generate a wake-up event. Following the wakeup event the counters will continue to operate and therefore no pulse will be missed during the wake-up process. These counters are described in section 12.

To minimise sleep current it is possible to disable the 32K RC oscillator and still use the pulse counters to cause a wake-up event, provided debounce mode is not required.

## **21.4 Deep Sleep Mode**

Deep sleep mode gives the lowest power consumption. All switchable power domains are off and certain functions in the VDD supply power domain, including the 32kHz oscillator are stopped. This mode can be exited by a power down, a hardware reset on the RESETN pin, or a DIO event. The DIO event in this mode causes a chip reset to occur.

## 22 Electrical Characteristics

### 22.1 Maximum Ratings

Exceeding these conditions may result in damage to the device.

Parameter		Min	Max
Device supply voltage VDD1, VDD2		-0.3V	3.6V
Supply voltage at voltage regulator bypass pins VB_XXX		-0.3V	1.98V
Voltage on analogue pins XTALOUT, XTALIN, VCOTUNE, RF_IN.		-0.3V	VB_XXX + 0.3V
Voltage on analogue pins VREF, ADC1-4, DAC1-2, COMP1M, COMP1P, COMP2M, COMP2P, IBIAS		-0.3V	VDD1 + 0.3V
Voltage on 5v tolerant digital pins SPICLK, SPIMOSI, SPIMISO, SPISEL0, DIO0-8 & DIO11-20, RESETN		-0.3V	Lower of (VDD2 + 2V) and 5.5V
Voltage on 3v tolerant digital pins DIO9, DIO10		-0.3V	VDD2 + 0.3V
Storage temperature		-40°C	150°C
Reflow soldering temperature according to IPC/JEDEC J-STD-020C			260°C
ESD rating <sup>4</sup>	Human Body Model <sup>1</sup>		2.0kV
	Charged Device Model <sup>2</sup>		500V

1) Testing for Human Body Model discharge is performed as specified in JEDEC Standard JESD22-A114.

2) Testing for Charged Device Model discharge is performed as specified in JEDEC Standard JESD22-C101.

### 22.2 DC Electrical Characteristics

#### 22.2.1 Operating Conditions

Supply	Min	Max
VDD1, VDD2	2.0V	3.6V
Ambient temperature range	-40°C	85°C



## 22.2.2 DC Current Consumption

VDD = 2.0 to 3.6V, -40 to +85° C

### 22.2.2.1 Active Processing

Mode:	Min	Typ	Max	Unit	Notes
CPU processing 32,16,8 or 4MHz		1600 + 280/MHz		µA	SPI, GPIOs enabled. When in CPU doze the current related to CPU speed is not consumed.
Radio transmit		15.0		mA	CPU in software doze – radio transmitting
Radio receive		17.5		mA	CPU in software doze – radio in receive mode
The following current figures should be added to those above if the feature is being used					
ADC		655		µA	Temperature sensor and battery measurements require ADC
DAC		215 / 235		µA	One / both
Comparator		73 / 0.8		µA	Normal / low-power
UART		90		µA	For each UART
Timer		30		µA	For each Timer
2-wire serial interface		70		µA	

### 22.2.2.2 Sleep Mode

Mode:	Min	Typ	Max	Unit	Notes
Sleep mode with I/O wakeup		0.12		µA	Waiting on I/O event
Sleep mode with I/O and RC Oscillator timer wakeup – measured at 25°C		1.25		µA	As above, but also waiting on timer event. If both wakeup timers are enabled then add another 0.05µA
32kHz crystal oscillator		1.5		µA	As alternative sleep timer
The following current figures should be added to those above if the feature is being used					
RAM retention– measured at 25°C		2.2		µA	For full 128kB retained
Comparator (low-power mode)		0.8		µA	Reduced response time

### 22.2.2.3 Deep Sleep Mode

Mode:	Min	Typ	Max	Unit	Notes
Deep sleep mode– measured at 25°C		100		nA	Waiting on chip RESET or I/O event

## 22.2.3 I/O Characteristics

VDD = 2.0 to 3.6V, -40 to +85° C

Parameter	Min	Typ	Max	Unit	Notes
Internal DIO pullup resistors	22 24 31 35	34 40 56 63	53 63 92 104	kΩ	VDD2 = 3.6V, 25C VDD2 = 3.0V, 25C VDD2 = 2.2V, 25C VDD2 = 2.0V, 25C
Digital I/O High Input (except DIO9, DIO10)	VDD2 x 0.7		Lower of (VDD2 + 2V) and 5.5V	V	5V Tolerant I/O only
Digital I/O High Input ( DIO9, DIO10)	VDD2 x 0.7		VDD2	V	
Digital I/O low Input	-0.3		VDD2 x 0.27	V	
Digital I/O input hysteresis	140	230	310	mV	
DIO High O/P (2.7-3.6V)	VDD2 x 0.8		VDD2	V	With 4mA load
DIO Low O/P (2.7-3.6V)	0		0.4	V	With 4mA load
DIO High O/P (2.2-2.7V)	VDD2 x 0.8		VDD2	V	With 3mA load
DIO Low O/P (2.2-2.7V)	0		0.4	V	With 3mA load
DIO High O/P (2.0-2.2V)	VDD2 x 0.8		VDD2	V	With 2.5mA load
DIO Low O/P (2.0-2.2V)	0		0.4	V	With 2.5mA load
Current sink/source capability		4 3 2.5		mA	VDD2 = 2.7V to 3.6V VDD2 = 2.2V to 2.7V VDD2 = 2.0V to 2.2V
I <sub>IL</sub> - Input Leakage Current			50	nA	V <sub>cc</sub> = 3.6V, pin low
I <sub>IH</sub> - Input Leakage Current			50	nA	V <sub>cc</sub> = 3.6V, pin high

## 22.3 AC Characteristics

### 22.3.1 Reset and Voltage Brown-Out

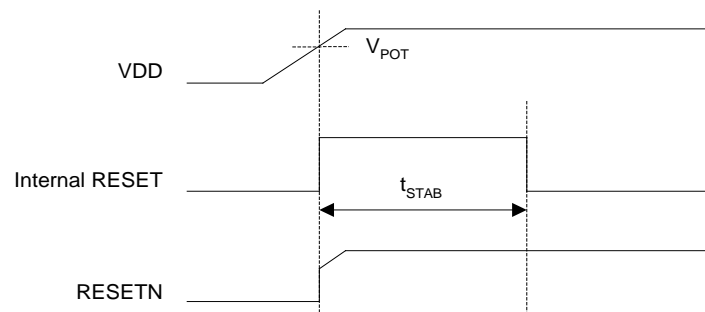
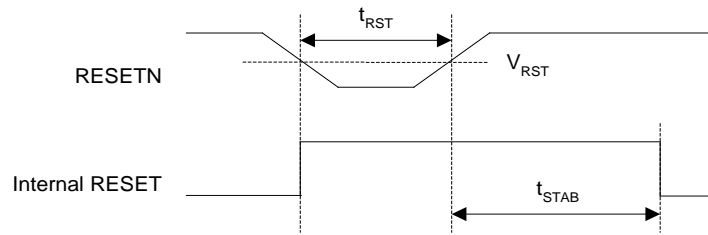


Figure 45: Internal Power-on Reset without showing Brown-Out

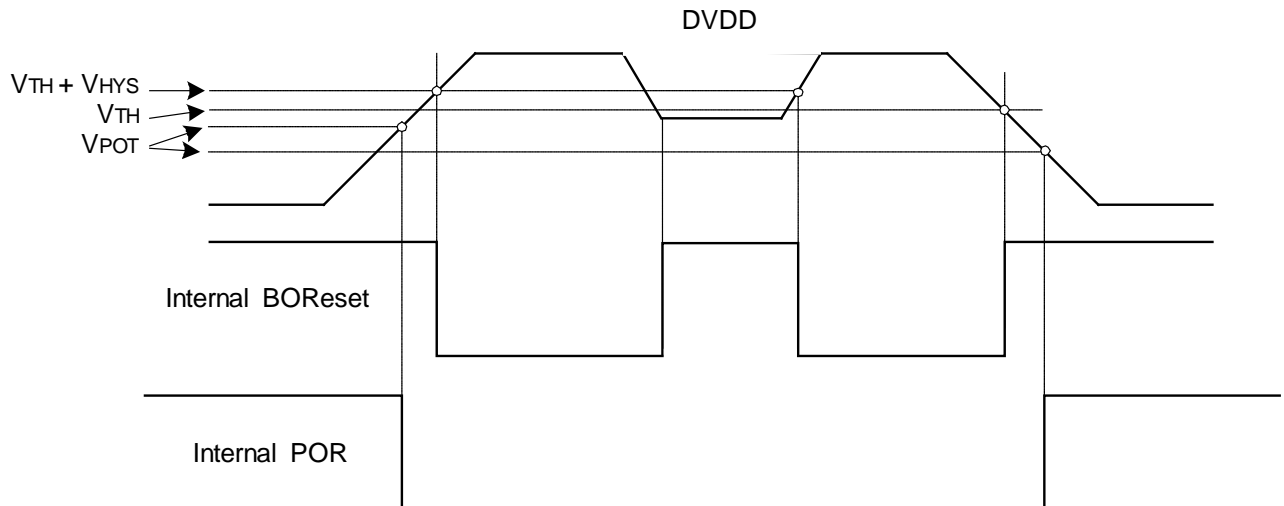


**Figure 46: Externally Applied Reset**

VDD = 2.0 to 3.6V, -40 to +85° C

Parameter	Min	Typ	Max	Unit	Notes
External Reset pulse width to initiate reset sequence ( $t_{RST}$ )	1			$\mu\text{s}$	Assumes internal pullup resistor value of 100K worst case and ~5pF external capacitance
External Reset threshold voltage ( $V_{RST}$ )	$V_{DD2} \times 0.7$			V	Minimum voltage to avoid being reset
Internal Power-on Reset threshold voltage ( $V_{POT}$ )		1.47 1.42		V	Rising Falling
Reset stabilisation time ( $t_{STAB}$ )		0.84		ms	Note 1
Brown-out Threshold Voltage ( $V_{TH}$ )	1.87 2.16 2.54 2.83	1.95 2.25 2.65 2.95	2.01 2.32 2.73 3.04	V	Configurable threshold with 4 levels
Brown-out Hysteresis ( $V_{HYS}$ )		45 60 85 100		mV	Corresponding to the 4 threshold levels

<sup>1</sup> Time from release of reset to start of executing ROM code. Loading program from Flash occurs in addition to this.



**Figure 47: Power on Reset followed by Brown-out Detect**

## 22.3.2 SPI MasterTiming

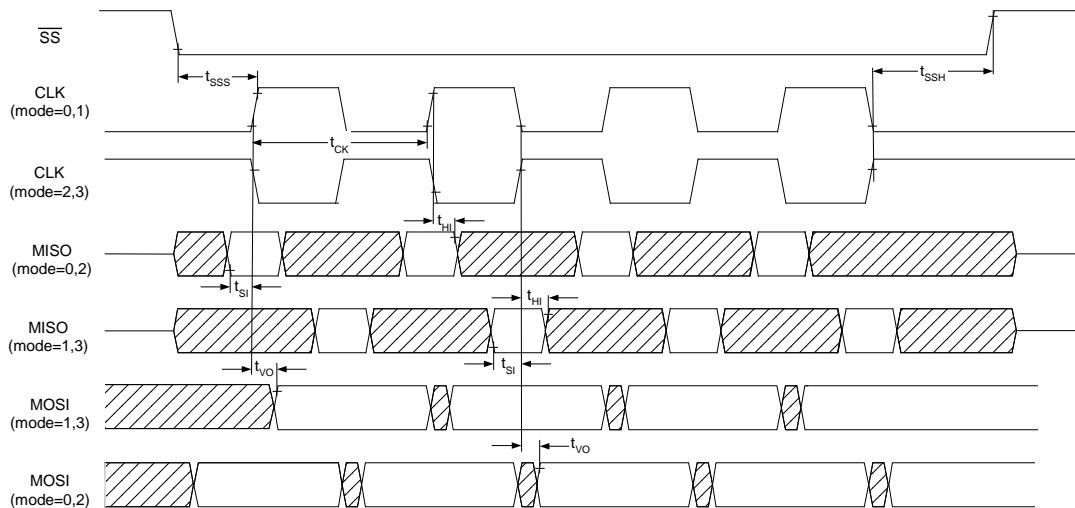


Figure 48: SPI Timing (Master)

Parameter	Symbol	Min	Max	Unit
Clock period	$t_{CK}$	62.5	-	ns
Data setup time	$t_{SI}$	16.7 @ 3.3V 18.2 @ 2.7V 21.0 @ 2.0V	-	ns
Data hold time	$t_{HI}$	0	-	ns
Data invalid period	$t_{VO}$	-	15	ns
Select set-up period	$t_{SSS}$	60	-	ns
Select hold period	$t_{SSH}$	30 (SPICLK = 16MHz) 0 (SPICLK < 16MHz, mode=0 or 2) 60 (SPICLK < 16MHz, mode=1 or 3)	-	ns

## 22.3.3 Intelligent Peripheral (SPI Slave) Timing

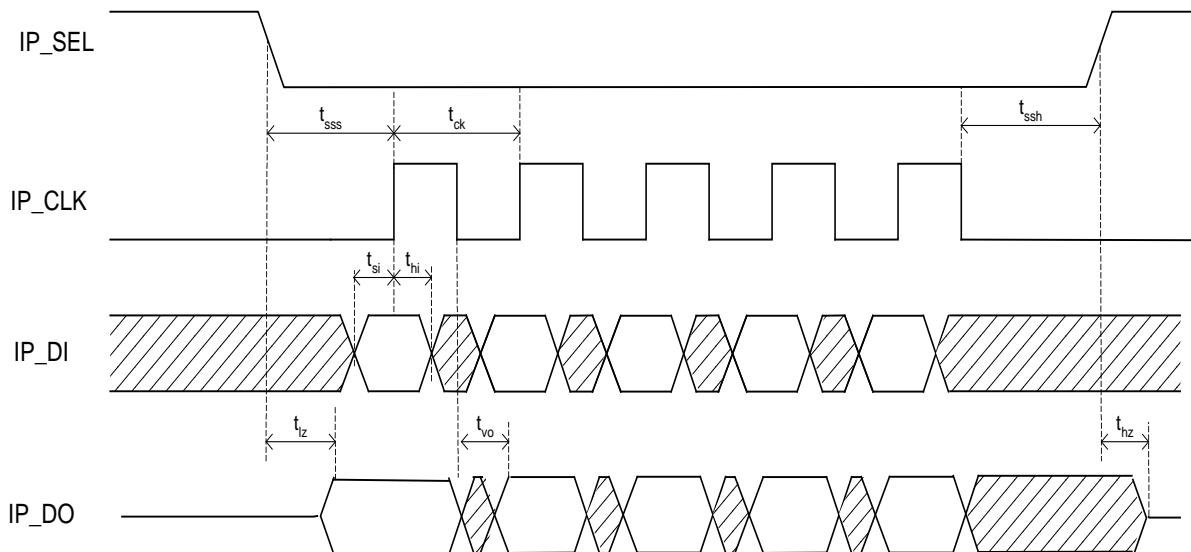


Figure 49: Intelligent Peripheral (SPI Slave) Timing

Parameter	Symbol	Min	Max	Unit
Clock period	$t_{ck}$	125.0	-	ns
Data setup time	$t_{si}$	15	-	ns
Data hold time	$t_{hi}$	15	-	ns
Data invalid period	$t_{vo}$	-	40	ns
Select set-up period	$t_{sss}$	15	-	ns
Select hold period	$t_{ssh}$	15	-	ns
Select asserted to output data driven	$t_{iz}$	-	20	ns
Select negated to data output tri-stated	$t_{hz}$	-	20	ns

### 22.3.4 Two-wire Serial Interface

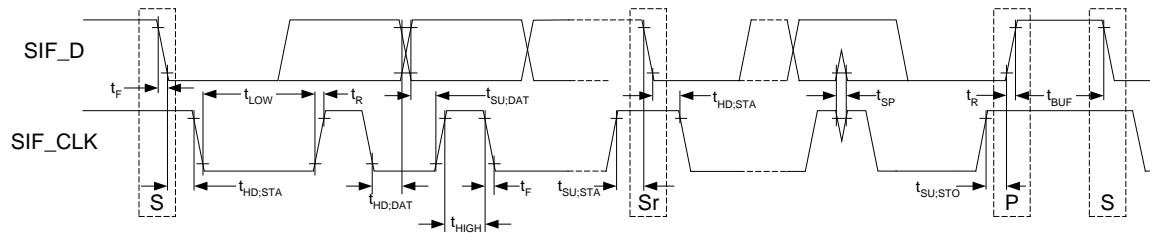
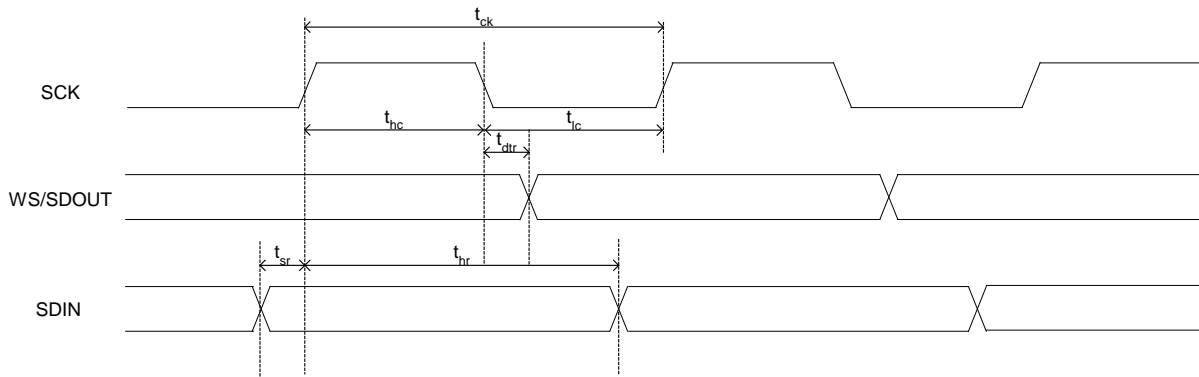


Figure 50: Two-wire Serial Interface Timing

Parameter	Symbol	Standard Mode		Fast Mode		Unit
		Min	Max	Min	Max	
SIF_CLK clock frequency	$f_{SCL}$	0	100	0	400	kHz
Hold time (repeated) START condition. After this period, the first clock pulse is generated	$t_{HD:STA}$	4	-	0.6	-	$\mu$ s
LOW period of the SIF_CLK clock	$t_{LOW}$	4.7	-	1.3	-	$\mu$ s
HIGH period of the SIF_CLK clock	$t_{HIGH}$	4	-	0.6	-	$\mu$ s
Set-up time for repeated START condition	$t_{SU:STA}$	4.7	-	0.6	-	$\mu$ s
Data setup time SIF_D	$t_{SU:DAT}$	0.25	-	0.1	-	$\mu$ s
Rise Time SIF_D and SIF_CLK	$t_R$	-	1000	$20+0.1C_b$	300	ns
Fall Time SIF_D and SIF_CLK	$t_F$	-	300	$20+0.1C_b$	300	ns
Set-up time for STOP condition	$t_{SU:STO}$	4	-	0.6	-	$\mu$ s
Bus free time between a STOP and START condition	$t_{BUF}$	4.7	-	1.3	-	$\mu$ s
Pulse width of spikes that will be suppressed by input filters (Note 1)	$t_{SP}$	-	60	-	60	ns
Capacitive load for each bus line	$C_b$	-	400	-	400	pF
Noise margin at the LOW level for each connected device (including hysteresis)	$V_{nl}$	0.1VDD	-	0.1VDD	-	V
Noise margin at the HIGH level for each connected device (including hysteresis)	$V_{nh}$	0.2VDD	-	0.2VDD	-	V

Note 1: This figure indicates the pulse width that is guaranteed to be suppressed. Pulse with widths up to 125nsec may also get suppressed.

### 22.3.5 Four-Wire Digital Audio Interface



Parameter	Symbol	Maximum Frequency (8MHz)		Generic		Unit
		Min	Max	Min	Max	
DAI_SCK clock period	$t_{ck}$	125	-	125	-	ns
LOW period of the DAI_SCK clock	$t_{ic}$	43	-	$0.35t_{ck}$	-	ns
HIGH period of the DAI_SCK clock	$t_{hc}$	43	-	$0.35t_{ck}$	-	ns
Transmit delay time	$t_{dtr}$	-	50	-	$0.4t_{ck}$	ns
Receive set-up time	$t_{sr}$	25	-	$0.2t_{ck}$	-	ns
Receive hold time	$t_{hr}$	0	-	0	-	ns

### 22.3.6 Wakeup and Boot Load Timings

Parameter	Min	Typ	Max	Unit	Notes
Time for crystal to stabilise ready for Boot Load		0.84		ms	Reached oscillator amplitude threshold
Time for crystal to stabilise ready for radio activity		1.0		ms	
Wake up from Deep Sleep or from Sleep (memory not held)		$0.84 + 0.5^*$ program size in kBytes		ms	Assumes SPI clock to external Flash is 16MHz
Wake up from Sleep (memory held)		0.84		ms	
Wake up from CPU Doze mode		0.2		$\mu$ s	
Wake up from Sleep using 24MHz RC oscillator (memory held)		0.29		ms	

## 22.3.7 Bandgap Reference

VDD = 2.0 to 3.6V, -40 to +85°C

Parameter	Min	Typ	Max	Unit	Notes
Voltage	1.156	1.192	1.216	V	
DC power supply rejection		58		dB	at 25°C
Temperature coefficient		-35 +30		ppm/°C	20 to 85°C -40°C to 20°C
Point of inflexion		+25		°C	

## 22.3.8 Analogue to Digital Converters

VDD = 3.0V, VREF = 1.2V, -40 to +85°C

Parameter	Min	Typ	Max	Unit	Notes
Resolution			12	bits	500kHz Clock
Current consumption		655		µA	
Integral nonlinearity		± 5		LSB	0 to Vref range
Differential nonlinearity	-1		+2	LSB	Guaranteed monotonic
Offset error		+ 10		mV	
Gain error		- 20		mV	
Internal clock		500		kHz	16MHz input clock, ÷32
No. internal clock periods to sample input		2, 4, 6 or 8			Programmable
Conversion time	40			µs	500kHz Clock with sample period of 2
Input voltage range	0.04		Vref or 2*Vref	V	Switchable. Refer to 20.1.1
Vref (Internal)	See Section 22.3.7 Bandgap Reference				
Vref (External)	1.15	1.2	1.6	V	Allowable range into VREF pin
Input capacitance		8		pF	In series with 5K ohms

## 22.3.9 Digital to Analogue Converters

VDD = 3.0V, VREF = 1.2V, -40 to +85°C

Parameter	Min	Typ	Max	Unit	Notes
Resolution		12		bits	
Current consumption		215 (single) 235 (both)		µA	
Integral nonlinearity		± 2		LSB	
Differential nonlinearity	-1		+1	LSB	Guaranteed monotonic
Offset error		± 10		mV	
Gain error		± 10		mV	
Internal clock		2MHz, 1MHz, 500kHz, 250kHz			16MHz input clock, programmable prescaler
Output settling time to 0.5LSB		5		µs	With 10k ohms & 20pF load
Minimum Update time	10			µs	2MHz Clock with sample period of 2
Output voltage swing	0	Lower of Vdd-1.2 and Vref		V	Output voltage swing Gain =0
Output voltage swing	0	Lower of 2x(Vdd-1.2 ) and Vdd-0.2 and 2xVref		V	Output voltage swing Gain =1
Vref (Internal)	See Section 22.3.7 Bandgap Reference				
VREF (External)	0.8	1.2	1.6	V	Allowable range into VREF pin
Resistive load	10			kΩ	To ground
Capacitive load			20	pF	
Digital input coding	Binary				



## 22.3.10 Comparators

VDD = 2.0 to 3.6V -40 to +85°C

Parameter	Min	Typ	Max	Unit	Notes
Analogue response time (normal)		80	125	ns	+/- 250mV overdrive 10pF load
Total response time (normal) including delay to Interrupt controller			105 + 125	ns	Digital delay can be up to a max. of two 16MHz clock periods
Analogue response time (low power)		2.4		µs	+/- 250mV overdrive No digital delay
Hysteresis	4 12 28	10 20 40	16 26 50	mV	Programmable in 3 steps and zero
Vref (Internal)	See Section 22.3.7 Bandgap Reference			V	
Common Mode input range	0		Vdd	V	
Current (normal mode)	54	73	102	µA	
Current (low power mode)		0.8		µA	

## 22.3.11 32kHz RC Oscillator

VDD = 2.0 to 3.6V, -40 to +85 °C

Parameter	Min	Typ	Max	Unit	Notes
Current consumption of cell and counter logic		1.45 1.25 1.05		µA	3.6V 3.0V 2.0V
32kHz clock native accuracy	-30%	32kHz	+30%		Typical is at 3.0V 25°C
Calibrated 32kHz accuracy		±250		ppm	For a 1 second sleep period calibrating over 20 x 32kHz clock periods
Variation with temperature		-0.010		%/°C	
Variation with VDD2		-1.1		%/V	

## 22.3.12 32kHz Crystal Oscillator

VDD = 2.0 to 3.6V, -40 to +85°C

Parameter	Min	Typ	Max	Unit	Notes
Current consumption of cell and counter logic		1.5		μA	This is sensitive to the ESR of the crystal, Vdd and total capacitance at each pin
Start – up time		0.8		s	Assuming xtal with ESR of less than 40kohms and CL= 9pF External caps = 15pF (Vdd/2mV pk-pk) see Appendix B
Input capacitance		1.4		pF	Bondpad and package
Transconductance		17		uA/V	
External Capacitors (CL=9pF)		15		pF	Total external capacitance needs to be 2*CL, allowing for stray capacitance from chip, package and PCB
Amplitude at Xout		Vdd-0.2		Vp-p	

## 22.3.13 32MHz Crystal Oscillator

VDD = 2.0 to 3.6V, -40 to +85°C

Parameter	Min	Typ	Max	Unit	Notes
Current consumption	300	375	450	μA	Excluding bandgap ref.
Start – up time		0.84		ms	Assuming xtal with ESR of less than 40ohms and CL= 9pF External caps = 15pF see Appendix B
Input capacitance		1.4		pF	Bondpad and package
Transconductance	3.65	4.30	5.16	mA/V	
DC voltages, XTALIN / XTALOUT	390/425	425/465	470/520	mV	
External Capacitors (CL=9pF)		15		pF	Total external capacitance needs to be 2*CL, allowing for stray capacitance from chip, package and PCB
Amplitude detect threshold		320		mVp-p	Threshold detection accessible via API

### 22.3.14 24MHz RC Oscillator

VDD = 2.0 to 3.6V, -40 to +85°C

Parameter	Min	Typ	Max	Unit	Notes
Current consumption of cell		160		μA	
Clock native accuracy	-22%	24MHz	+28%		
Calibrated centre frequency accuracy	-7%	24MHz	+7%		
Variation with temperature		-0.015		%/°C	
Variation with VDD2		0.15		%/V	
Startup time			1	us	

### 22.3.15 Temperature Sensor

VDD = 2.0 to 3.6V, -40 to +85°C

Parameter	Min	Typ	Max	Unit	Notes
Operating Range	-40	-	85	°C	
Sensor Gain	-1.44	-1.55	-1.66	mV/°C	
Accuracy	-	-	±10	°C	
Non-linearity	-	-	2.5	°C	
Output Voltage	630		855	mV	Includes absolute variation due to manufacturing & temp
Typical Voltage		745		mV	Typical at 3.0V 25°C
Resolution	0.154	0.182	0.209	°C/LSB	0 to Vref ADC I/P Range

## 22.3.16 Radio Transceiver

This JN5148 meets all the requirements of the IEEE802.15.4 standard over 2.0 - 3.6V and offers the following improved RF characteristics. All RF characteristics are measured single ended.

This part also meets the following regulatory body approvals, when used with NXP's Module Reference Designs. Compliant with FCC part 15, rules, IC Canada, ETSI ETS 300-328 and Japan ARIB STD-T66



**The PCB schematic and layout rules detailed in Appendix B.4 must be followed. Failure to do so will likely result in the JN5148 failing to meet the performance specification detailed herein and worst case may result in device not functioning in the end application.**

Parameter	Min	Typical	Max	Notes
<b>RF Port Characteristics</b>				
Type				Single Ended
Impedance <sup>1</sup>		50ohm		2.4-2.5GHz
Frequency range	2.400 GHz		2.485GHz	
ESD levels (pin 17)		TDB		

1) With external matching inductors and assuming PCB layout as in Appendix B.4.

## Radio Parameters: 2.0-3.6V, +25°C

Parameter	Min	Typical	Max	Unit	Notes
<b>Receiver Characteristics</b>					
Receive sensitivity	-92	-95		dBm	Nominal for 1% PER, as per 802.15.4 section 6.5.3.3
Maximum input signal		+5		dBm	For 1% PER, measured as sensitivity
Adjacent channel rejection (-1/+1 ch) [CW Interferer]		19/34 [27/49]		dBc	For 1% PER, with wanted signal 3dB, above sensitivity. (Note1,2) (modulated interferer)
Alternate channel rejection (-2 / +2 ch) [CW Interferer]		40/45 [54/54]		dBc	For 1% PER, with wanted signal 3dB, above sensitivity. (Note1,2) (modulated interferer)
Other in band rejection 2.4 to 2.4835 GHz, excluding adj channels		48		dBc	For 1% PER with wanted signal 3dB above sensitivity. (Note1)
Out of band rejection		52		dBc	For 1% PER with wanted signal 3dB above sensitivity. All frequencies except wanted/2 which is 8dB lower. (Note1)
Spurious emissions (RX)		-61	<-70 -58	dBm	Measured conducted into 50ohms 30MHz to 1GHz 1GHz to 12GHz
Intermodulation protection		40		dB	For 1% PER at with wanted signal 3dB above sensitivity. Modulated Interferers at 2 & 4 channel separation (Note1)
RSSI linearity	-4		+4	dB	-95 to -10dBm. Available through Hardware API
<b>Transmitter Characteristics</b>					
Transmit power	+0.5	+2.5		dBm	
Output power control range		-35		dB	In three 12dB steps (Note3)
Spurious emissions (TX)		-40	<-70 <-70	dBm	Measured conducted into 50ohms 30MHz to 1GHz, 1GHz to 12.5GHz, The following exceptions apply 1.8 to 1.9GHz & 5.15 to 5.3GHz
EVM [Offset]		10 [2.0]	15	%	At maximum output power
Transmit Power Spectral Density		-38	-20	dBc	At greater than 3.5MHz offset, as per 802.15.4, section 6.5.3.1

## Radio Parameters: 2.0-3.6V, -40°C

Parameter	Min	Typical	Max	Unit	Notes
<b>Receiver Characteristics</b>					
Receive sensitivity	-93.5	-96.5		dBm	Nominal for 1% PER, as per 802.15.4 section 6.5.3.3
Maximum input signal		+9		dBm	For 1% PER, measured as sensitivity
Adjacent channel rejection (-1/+1 ch) [CW Interferer]		19/34 [TBC]		dBc	For 1% PER, with wanted signal 3dB, above sensitivity. (Note1,2) (modulated interferer)
Alternate channel rejection (-2 / +2 ch) [CW Interferer]		40/45 [TBC]		dBc	For 1% PER, with wanted signal 3dB, above sensitivity. (Note1,2) (modulated interferer)
Other in band rejection 2.4 to 2.4835 GHz, excluding adj channels		47		dBc	For 1% PER with wanted signal 3dB above sensitivity. (Note1)
Out of band rejection		49		dBc	For 1% PER with wanted signal 3dB above sensitivity. All frequencies except wanted/2 which is 8dB lower. (Note1)
Spurious emissions (RX)		-60	<-70 -57	dBm	Measured conducted into 50ohms 30MHz to 1GHz 1GHz to 12GHz
Intermodulation protection		39		dB	For 1% PER at with wanted signal 3dB above sensitivity. Modulated Interferers at 2 & 4 channel separation (Note1)
RSSI linearity	-4		+4	dB	-95 to -10dBm. Available through Hardware API
<b>Transmitter Characteristics</b>					
Transmit power	+0.75	+2.75		dBm	
Output power control range		-35		dB	In three 12dB steps (Note3)
Spurious emissions (TX)		-38	<-70 <-70	dBm	Measured conducted into 50ohms 30MHz to 1GHz, 1GHz to 12.5GHz, The following exceptions apply 1.8 to 1.9GHz & 5.15 to 5.3GHz
EVM [Offset]		9 [2.0]	15	%	At maximum output power
Transmit Power Spectral Density		-38	-20	dBc	At greater than 3.5MHz offset, as per 802.15.4, section 6.5.3.1

## Radio Parameters: 2.0-3.6V, +85°C

Parameter	Min	Typical	Max	Unit	Notes
<b>Receiver Characteristics</b>					
Receive sensitivity	-90	-93		dBm	Nominal for 1% PER, as per 802.15.4 section 6.5.3.3
Maximum input signal		+3		dBm	For 1% PER, measured as sensitivity
Adjacent channel rejection (-1/+1 ch) [CW Interferer]		19/34 [TBC]		dBc	For 1% PER, with wanted signal 3dB, above sensitivity. (Note1,2) (modulated interferer)
Alternate channel rejection (-2 / +2 ch) [CW Interferer]		40/45 [TBC]		dBc	For 1% PER, with wanted signal 3dB, above sensitivity. (Note1,2) (modulated interferer)
Other in band rejection 2.4 to 2.4835 GHz, excluding adj channels		49		dBc	For 1% PER with wanted signal 3dB above sensitivity. (Note1)
Out of band rejection		53		dBc	For 1% PER with wanted signal 3dB above sensitivity. All frequencies except wanted/2 which is 8dB lower. (Note1)
Spurious emissions (RX)		-62	<-70 -59	dBm	Measured conducted into 50ohms 30MHz to 1GHz 1GHz to 12GHz
Intermodulation protection		41		dB	For 1% PER at with wanted signal 3dB above sensitivity. Modulated Interferers at 2 & 4 channel separation (Note1)
RSSI linearity	-4		+4	dB	-95 to -10dBm. Available through Hardware API
<b>Transmitter Characteristics</b>					
Transmit power	-0.2	+1.8		dBm	
Output power control range		-35		dB	In three 12dB steps (Note3)
Spurious emissions (TX)		-42	<-70 <-70	dBm	Measured conducted into 50ohms 30MHz to 1GHz, 1GHz to 12.5GHz, The following exceptions apply 1.8 to 1.9GHz & 5.15 to 5.3GHz
EVM [Offset]		10 [2.0]	15	%	At maximum output power
Transmit Power Spectral Density		-38	-20	dBc	At greater than 3.5MHz offset, as per 802.15.4, section 6.5.3.1

---

Note1: Blocker rejection is defined as the value, when 1% PER is seen with the wanted signal 3dB above sensitivity, as per 802.15.4 section 6.5.3.4

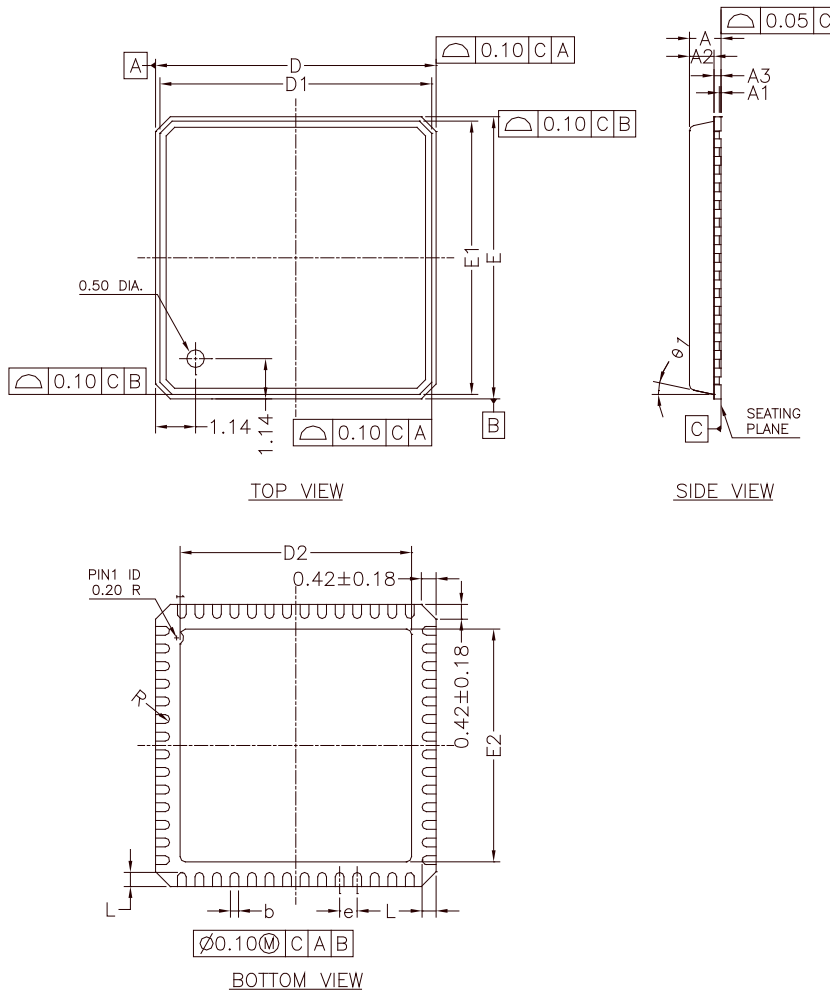
Note2: Channels 11,17,24 low/high values reversed.

Note3: Up to an extra 2.5dB of attenuation is available if required.



# Appendix A Mechanical and Ordering Information

## A.1 56-pin QFN Package Drawing



Controlling Dimension: mm

Symbol	millimetres		
	Min.	Nom.	Max.
A	-----	-----	0.9
A1	0.00	0.01	0.05
A2	-----	0.65	0.7
A3		0.20 Ref.	
b	0.2	0.25	0.3
D	8.00 bsc		
D1	7.75 bsc		
D2	6.20	6.40	6.60
E	8.00 bsc		
E1	7.75 bsc		
E2	6.20	6.40	6.60
L	0.30	0.40	0.50
e	0.50 bsc		
$\nu 1$	0°	-----	12°
R	0.09	-----	-----
Tolerances of Form and Position			
aaa	0.10		
bbb	0.10		
ccc	0.05		

Figure 51: 56-pin QFN Package Drawings

## A.2 PCB Decal

The following PCB decal is recommended; all dimensions are in millimetres (mm).

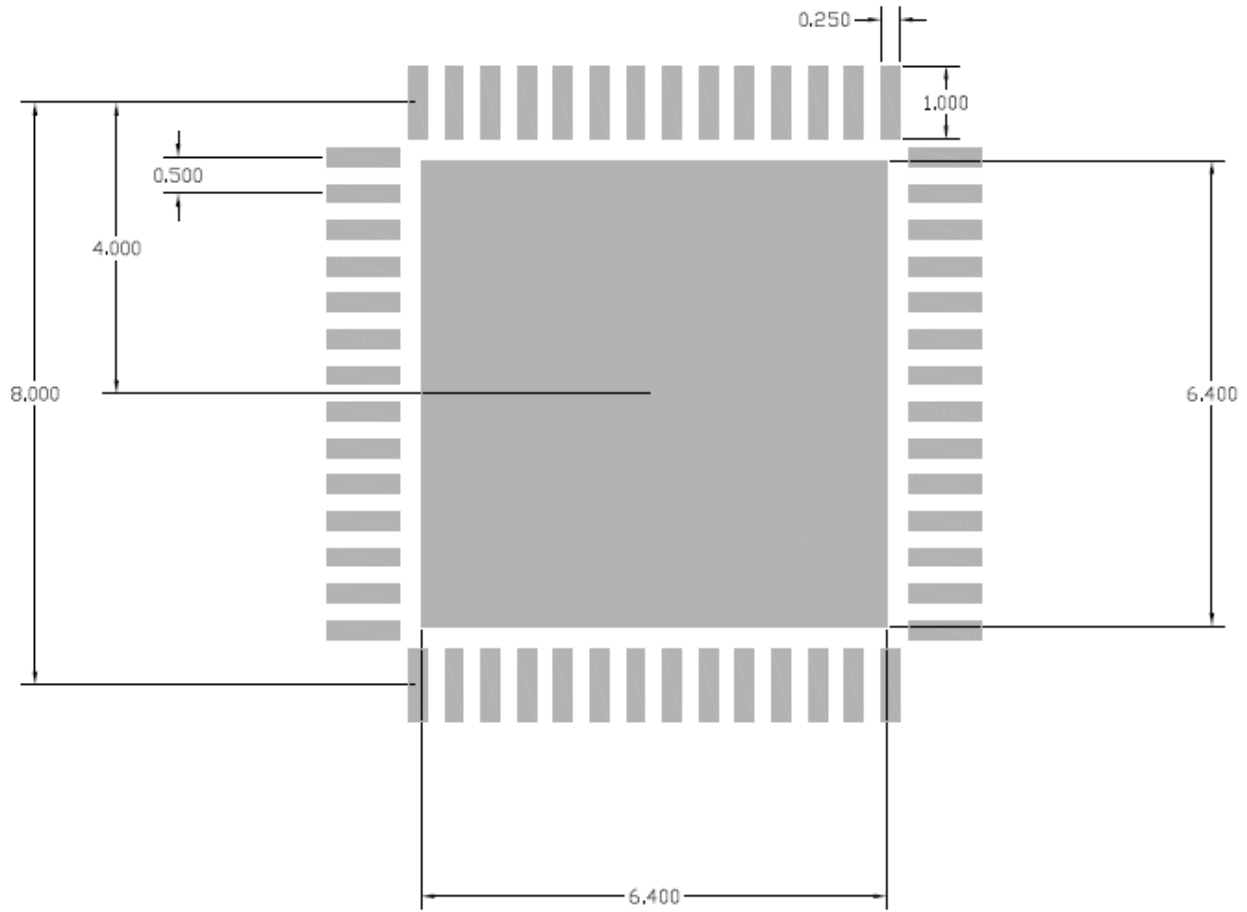


Figure 52: PCB Decal



**The PCB schematic and layout rules detailed in Appendix B.4 must be followed. Failure to do so will likely result in the JN5148 failing to meet the performance specification detailed herein and worst case may result in device not functioning in the end application.**

---

## A.3 Ordering Information

The standard qualification for the JN5148 is Industrial temperature range: -40°C to +85°C, packaged in a 56-pin QFN package.

### Ordering Code Format:

JN5148/XXX

**XXX:** ROM Variant

J01 IEEE802.15.4-2006 MAC, IEEE802.15.4-2003 MAC, JenNet v1.5 and 6LoWPAN in ROM

### Ordering Codes:

Part Number	Ordering Code	Description
JN5148-J01	JN5148/J01	JN5148 microcontroller with J01 ROM

The chip is available in two different reel quantities:

- 1000 on 180mm reel
- 2500 on 330mm reel

The Standard Supply Multiple (SSM) for Engineering Samples or Prototypes is 50 units with a maximum of 250 units. If the quantity of Engineering Samples or Prototypes ordered is less than a reel quantity, then these will be shipped in tape form only, with no reel and will not be dry packaged in a moisture sensitive environment.

The SSM for Production status devices is one reel, all reels are dry packaged in a moisture sensitive bag see A.5.3.

## A.4 Device Package Marking

The diagram below shows the package markings for JN5148. The package on the left along with the legend information below it, shows the general format of package marking. The package on the right shows the specific markings for a JN5148-001 device, that came from assembly build number 1000135 and was manufactured week 12 of 2008. Note: JN5148-J01 devices will be labelled JN5148-J01

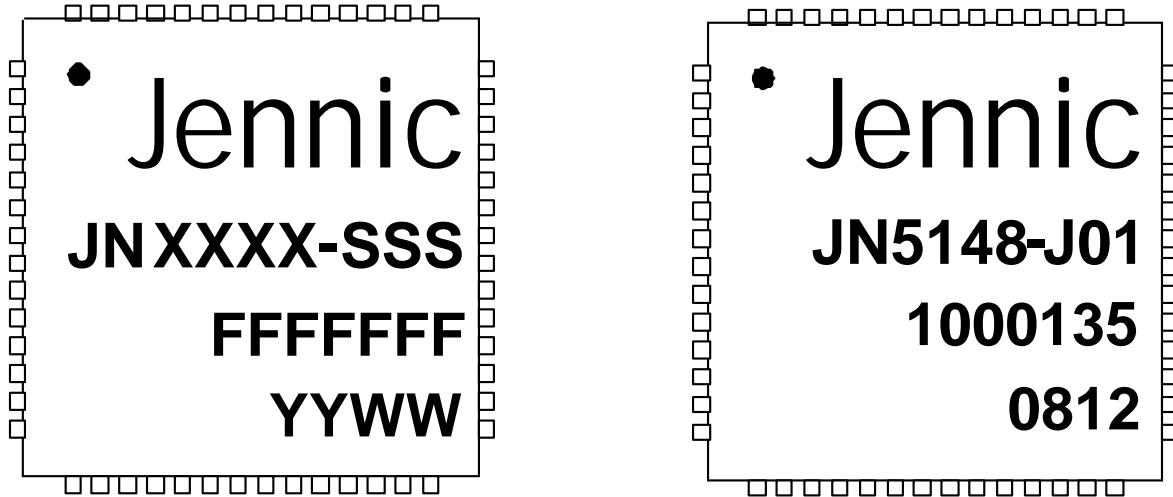


Figure 53: Device Package Marking

### Legend:

JN	Jennic
XXXX	4 digit part number
SSS	3 digit software ROM identifier
FFFFFFF	7 digit assembly build number
YY	2 digit year number
WW	2 digit week number

Where this Data Sheet is denoted as “Advanced” or “Preliminary”, devices will be either Engineering Samples or Prototypes. Devices of this status have an Rx suffix after the software ROM identifier, for example JN5148-J01R1.

## A.5 Tape and Reel Information

### A.5.1 Tape Orientation and Dimensions

The general orientation of the 56QFN package in the tape is as shown in Figure 54.

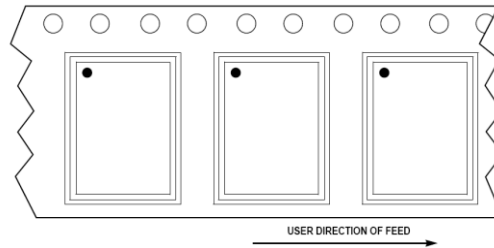
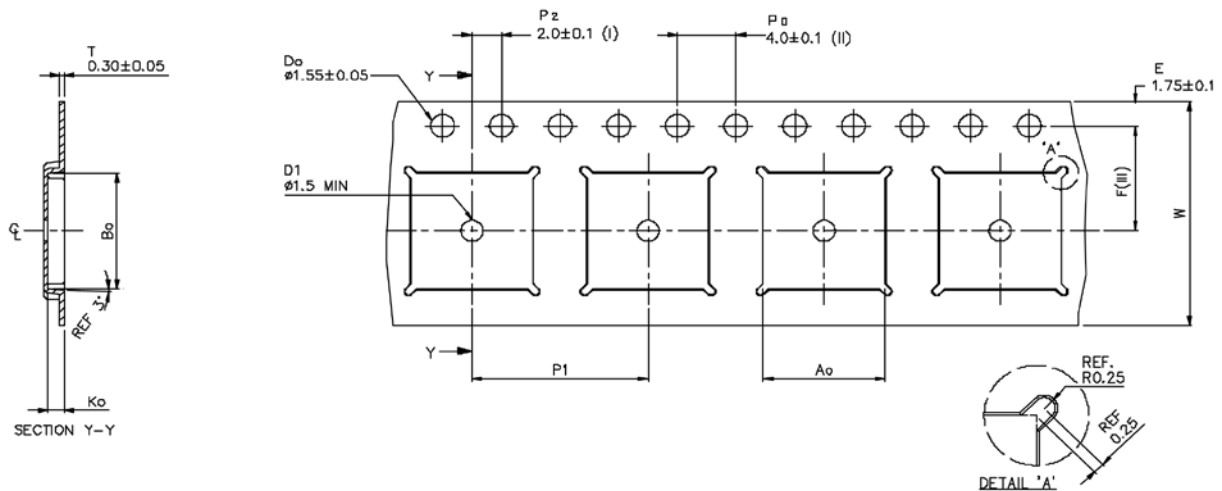


Figure 54: Tape and Reel Orientation

Figure 55 shows the detailed dimensions of the tape used for 8x8mm 56QFN devices.



ALL DIMENSIONS IN MILLIMETRES UNLESS OTHERWISE STATED

Reference	Dimensions (mm)
A <sub>0</sub>	8.30 ±0.10
B <sub>0</sub>	8.30 ±0.10
K <sub>0</sub>	1.10 ±0.10
F	7.50 ±0.10
P <sub>1</sub>	12.00 ±0.10
W	16.00 ±0.30

- (I) Measured from centreline of sprocket hole to centreline of pocket
- (II) Cumulative tolerance of 10 sprocket holes is ±0.20mm
- (III) Measured from centreline of sprocket hole to centreline of pocket
- (IV) Other material available

Figure 55: Tape Dimensions

## A.5.2 Reel Information: 180mm Reel

Surface Resistivity	Between $10e^9 - 10e^{11}$ Ohms Square
Material	High Impact Polystyrene, environmentally friendly, recyclable

All dimensions and tolerances are fully compliant with EIA-481-B and are specified in millimetres.  
 6 window design with one window on each side blanked to allow adequate labelling space.

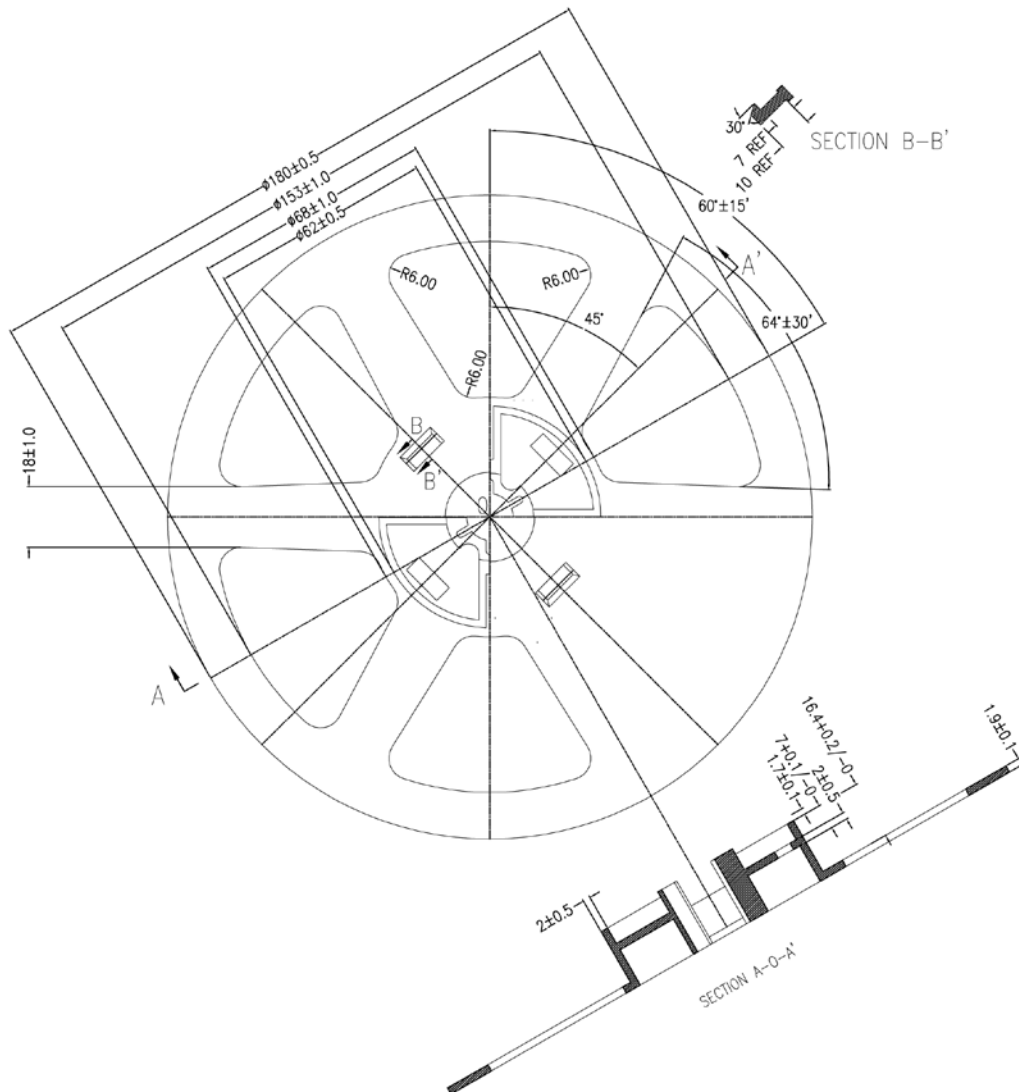


Figure 56: 180mm Reel Dimensions

### A.5.3 Reel Information: 330mm Reel

Surface Resistivity	Between $10e^9$ – $10e^{11}$ Ohms Square
Material	High Impact Polystyrene with Antistatic Additive

All dimensions and tolerances are fully compliant with EIA-481-B and are specified in millimetres.

3 window design to allow adequate labelling space.

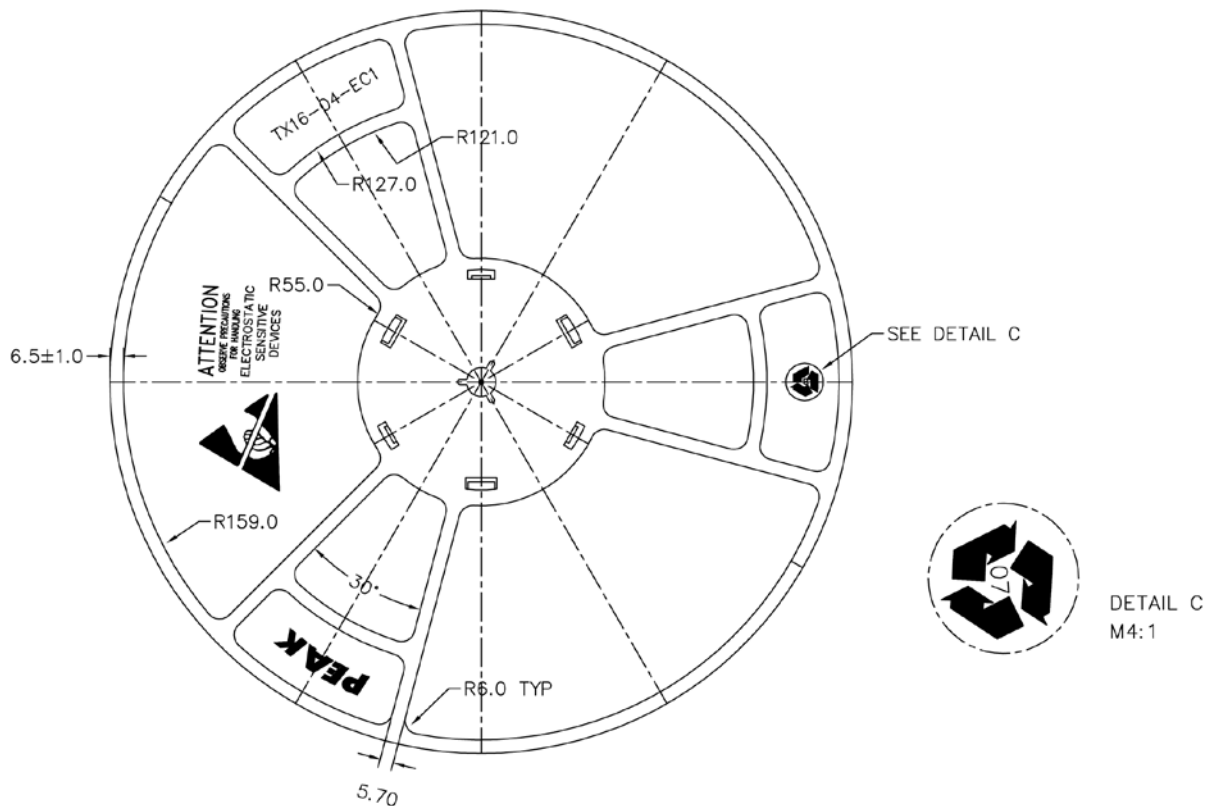


Figure 57: 330mm Reel Dimensions

### A.5.4 Dry Pack Requirement for Moisture Sensitive Material

Moisture sensitive material, as classified by JEDEC standard J-STD-033, must be dry packed. The 56 lead QFN package is MSL2A/260°C, and is dried before sealing in a moisture barrier bag (MBB) with desiccant bag weighing at 67.5 grams of activated clay and a humidity indicator card (HIC) meeting MIL-L-8835 specification. The MBB has a moisture-sensitivity caution label to indicate the moisture-sensitive classification of the enclosed devices.

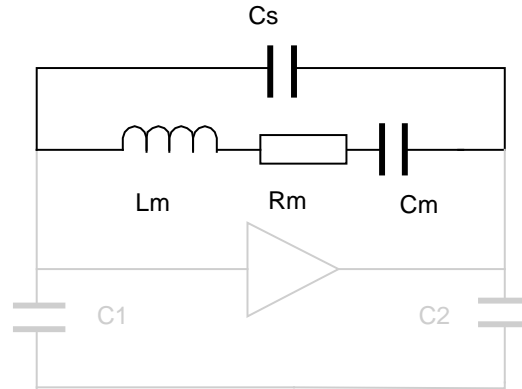
---

# Appendix B Development Support

## B.1 Crystal Oscillators

This section covers some of the general background to crystal oscillators, to help the user make informed decisions concerning the choice of crystal and the associated capacitors.

### B.1.1 Crystal Equivalent Circuit



Where  $C_m$  is the motional capacitance

$L_m$  is the motional inductance. This together with  $C_m$  defines the oscillation frequency (series)

$R_m$  is the equivalent series resistance (ESR).

$C_s$  is the shunt or package capacitance and this is a parasitic

### B.1.2 Crystal Load Capacitance

The crystal load capacitance is the total capacitance seen at the crystal pins, from all sources. As the load capacitance (CL) affects the oscillation frequency by a process known as 'pulling', crystal manufacturers specify the frequency for a given load capacitance only. A typical pulling coefficient is 15ppm/pF, to put this into context the maximum frequency error in the IEEE802.15.4 specification is +/-40ppm for the transmitted signal. Therefore, it is important for resonance at 32MHz exactly, that the specified load capacitance is provided.

The load capacitance can be calculated using:

$$CL = \frac{C_{T1} \times C_{T2}}{C_{T1} + C_{T2}}$$

Total capacitance

$$C_{T1} = C_1 + C_{1P} + C_{1in}$$

Where  $C_1$  is the capacitor component

$C_{1P}$  is the PCB parasitic capacitance. With the recommended layout this is about 1.6pF

$C_{1in}$  is the on-chip parasitic capacitance and is about 1.4pF typically.

Similarly for  $C_{T2}$

Hence for a 9pF load capacitance, and a tight layout the external capacitors should be 15pF



---

### B.1.3 Crystal ESR and Required Transconductance

The resistor in the crystal equivalent circuit represents the energy lost. To maintain oscillation, power must be supplied by the amplifier, but how much? Firstly, the Pi connected capacitors  $C_1$  and  $C_2$  with  $C_S$  from the crystal, apply an impedance transformation to  $R_m$ , when viewed from the amplifier. This new value is given by:

$$\hat{R}_m = R_m \left( \frac{C_S + C_L}{C_L} \right)^2$$

The amplifier is a transconductance amplifier, which takes a voltage and produces an output current. The amplifier together with the capacitors  $C_1$  and  $C_2$ , form a circuit, which provides a negative resistance, when viewed from the crystal. The value of which is given by:

$$R_{NEG} = \frac{g_m}{C_{T1} \times C_{T2} \times \omega^2}$$

Where  $g_m$  is the transconductance

$\omega$  is the frequency in rad/s

Derivations of these formulas can be easily found in textbooks.

In order to give quick and reliable oscillator start-up, a common rule of thumb is to set the amplifier negative resistance to be a minimum of 4 times the effective crystal resistance. This gives

$$\frac{g_m}{C_{T1} \times C_{T2} \times \omega^2} \geq 4R_m \left( \frac{C_S + C_L}{C_L} \right)^2$$

This can be used to give an equation for the required transconductance.

$$g_m \geq \frac{4R_m \times \omega^2 [C_S(C_{T1} + C_{T2}) + C_{T1} \times C_{T2}]^2}{C_{T1} \times C_{T2}}$$

Example: Using typical 32MHz crystal parameters of  $R_m = 40\Omega$ ,  $C_S = 1\text{pF}$  and  $C_{T1} = C_{T2} = 18\text{pF}$  ( for a load capacitance of 9pF), the equation above gives the required transconductance ( $g_m$ ) as 2.59mA/V. The JN5148 has a typical value for transconductance of 4.3mA/V

The example and equation illustrate the trade-off that exists between the load capacitance and crystal ESR. For example, a crystal with a higher load capacitance can be used, but the value of max. ESR that can be tolerated is reduced. Also note, that the circuit sensitivity to external capacitance [ $C_1$ ,  $C_2$ ] is a square law.

Meeting the criteria for start-up is only one aspect of the way these parameters affect performance, they also affect the time taken during start-up to reach a given, (or full), amplitude. Unfortunately, there is no simple mathematical model for this, but the trend is the same. Therefore, both a larger load capacitance and larger crystal ESR will give a longer start-up time, which has the disadvantages of reduced battery life and increased latency.

## B.2 32MHz Oscillator

The JN5148 contains the necessary on-chip components to build a 32 MHz reference oscillator with the addition of an external crystal resonator, two tuning capacitors. The schematic of these components are shown in Figure 58. The two capacitors, C1 and C2, will typically be 15pF  $\pm$ 5% and use a COG dielectric. For a detailed specification of the crystal required and factors affecting C1 and C2 see Appendix B.1. As with all crystal oscillators the PCB layout is especially important, both to keep parasitic capacitors to a minimum and to reduce the possibility of PCB noise being coupled into the oscillator.

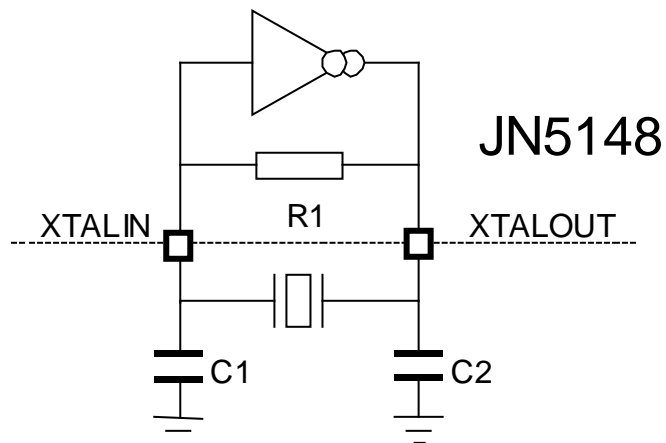


Figure 58: Crystal oscillator connections

The clock generated by this oscillator provides the reference for most of the JN5148 subsystems, including the transceiver, processor, memory and digital and analogue peripherals.

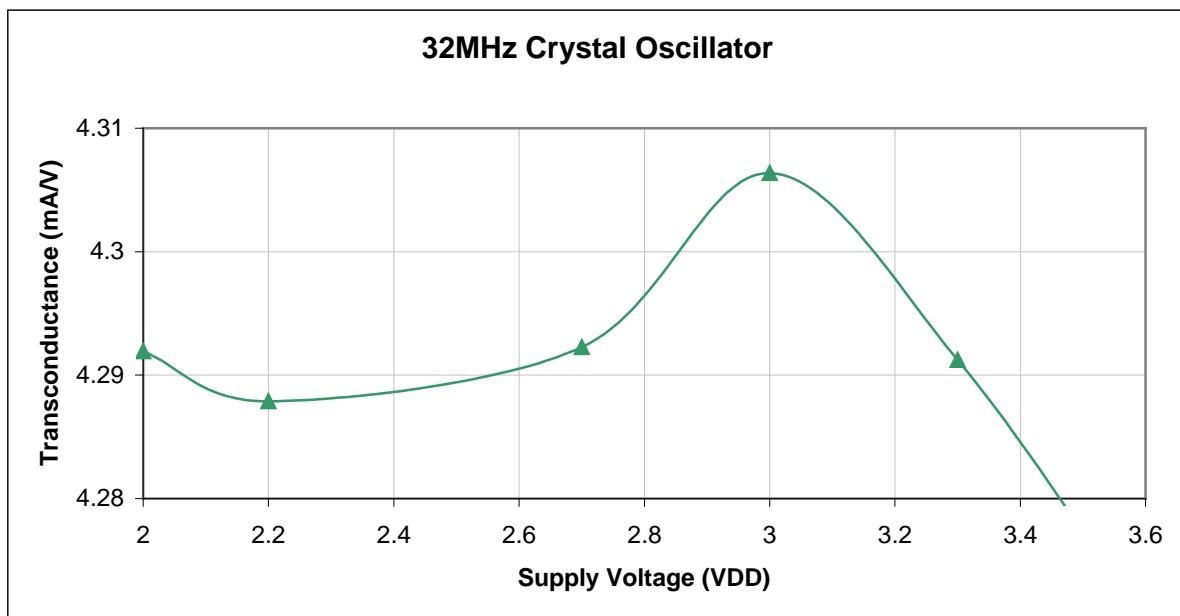
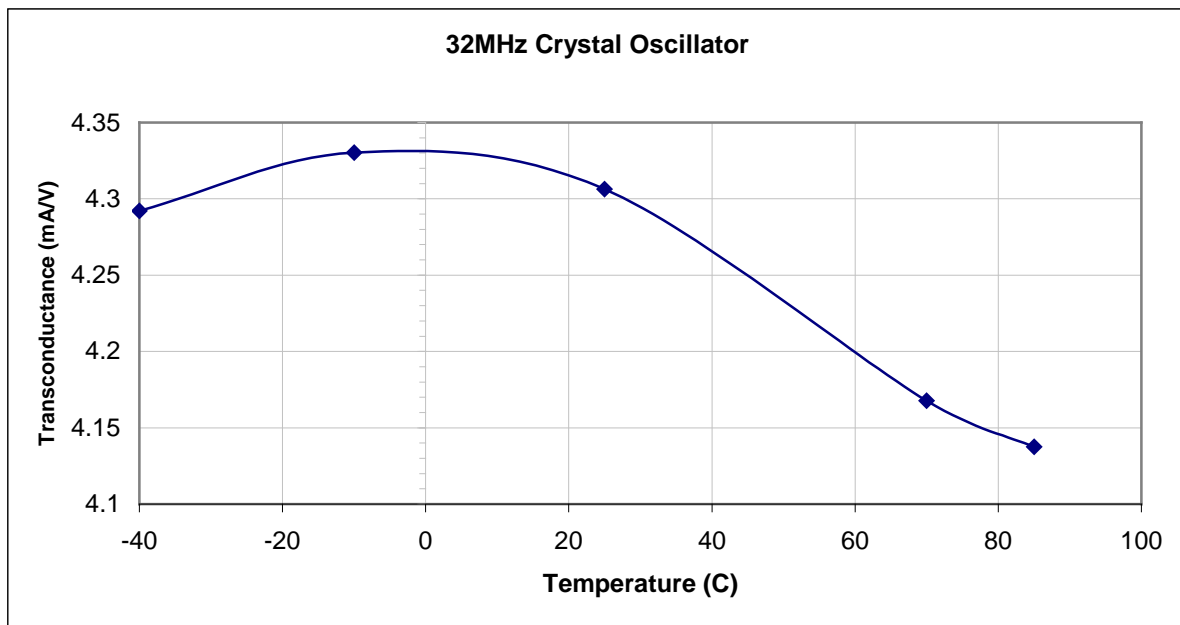
### 32MHz Crystal Requirements

Parameter	Min	Typ	Max	Notes
Crystal Frequency		32MHz		
Crystal Tolerance			40ppm	Including temperature and ageing
Crystal ESR Range (Rm)	10 $\Omega$		60 $\Omega$	See below for more details
Crystal Load Capacitance Range (CL)	6pF	9pF	12pF	See below for more details
Not all Combinations of Crystal Load Capacitance and ESR are Valid				
Recommended Crystal	Load Capacitance 9pF and max ESR 40 $\Omega$			
External Capacitors (C1 & C2) For recommended Crystal		15pF		CL = 9pF, total external capacitance needs to be 2*CL. , allowing for stray capacitance from chip, package and PCB

As is stated above, not all combinations of crystal load capacitance and ESR are valid, and as explained in Appendix B.1.3 there is a trade-off that exists between the load capacitance and crystal ESR to achieve reliable performance.

For this reason, we recommend that for a 9pF load capacitance crystals be specified with a maximum ESR of 40 ohms. For lower load capacitances the recommended maximum ESR rises, for example,  $CL=7\text{pF}$  the max ESR is 61 ohms. For the lower cost crystals in the large HC49 package, a load capacitance of 9 or 10pF is widely available and the max ESR of 30 ohms specified by many manufacturers is acceptable. Also available in this package style, are crystals with a load capacitance of 12pF, but in this case the max ESR required is 25 ohms or better.

Below is measurement data showing the variation of the crystal oscillator amplifier transconductance with temperature and supply voltage, notice how small the variation is. Circuit techniques have been used to apply compensation, such that the user need only design for nominal conditions.



## B.3 32kHz Oscillator

In order to obtain more accurate sleep periods, the JN5148 contains the necessary on-chip components to build an optional 32kHz oscillator with the addition of an external 32.768kHz crystal and two tuning capacitors. The crystal should be connected between XTAL32K\_IN and XTAL32K\_OUT (DIO9 and DIO10), with two equal capacitors to ground, one on each pin. The schematic of these components are shown in Figure 59. The two capacitors, C1 and C2, will typically be in the range 10 to 22pF  $\pm$ 5% and use a COG dielectric. As with all crystal oscillators the PCB layout is especially important, both to keep parasitic capacitors to a minimum and to reduce the possibility of PCB noise being coupled into the oscillator.

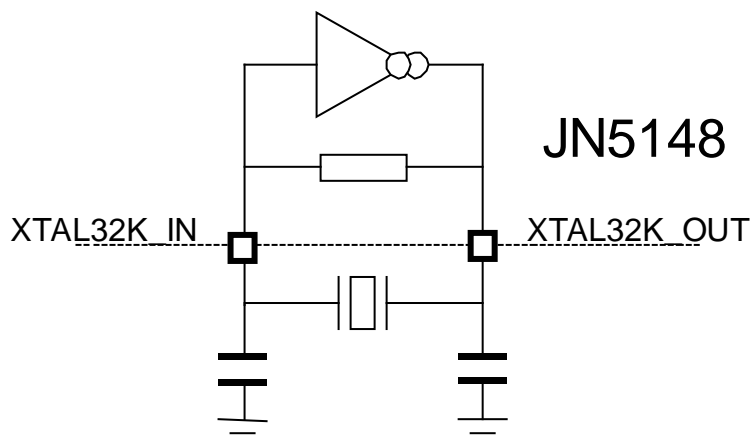


Figure 59: 32kHz crystal oscillator connections

The electrical specification of the oscillator can be found in 22.3.12. The oscillator cell is flexible and can operate with a range of commonly available 32kHz crystals with load capacitances from 6 to 12.5p, and ESR up to 80K $\Omega$ . It achieves this by using automatic gain control (AGC), which senses the signal swing. As explained in Appendix B.1.3 there is a trade-off that exists between the load capacitance and crystal ESR to achieve reliable performance. The use of an AGC function allows a wider range of crystal load capacitors and ESR's to be accommodated than would otherwise be possible. However, this benefit does mean the supply current varies with the supply voltage (VDD), value of the total capacitance at each pin, and the crystal ESR. This is described in the table and graphs below.

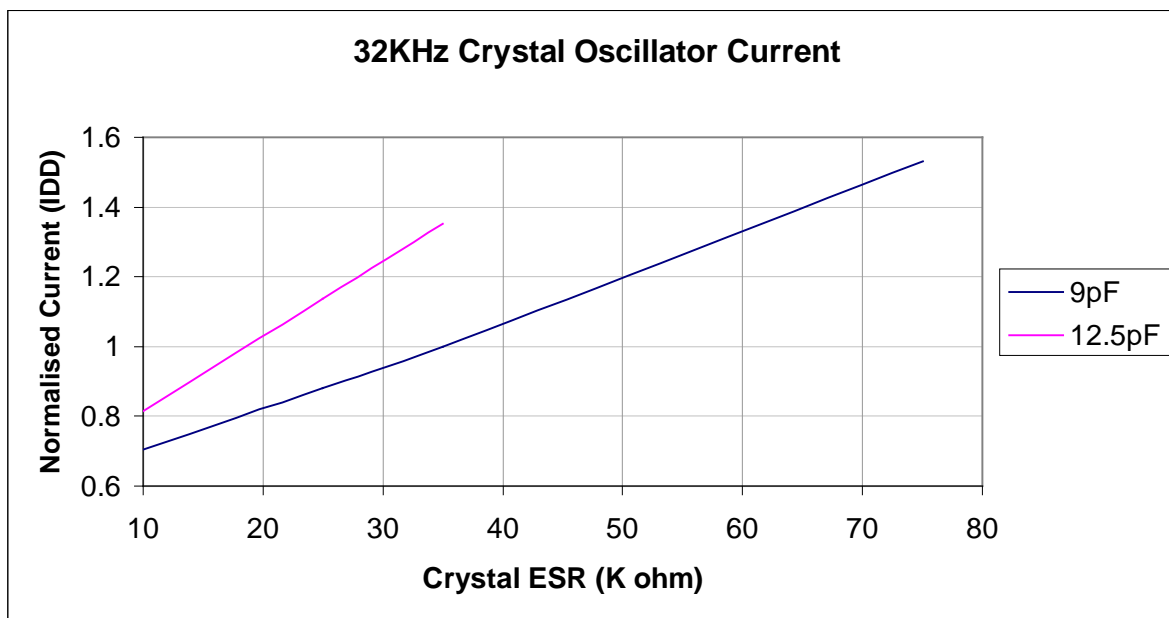
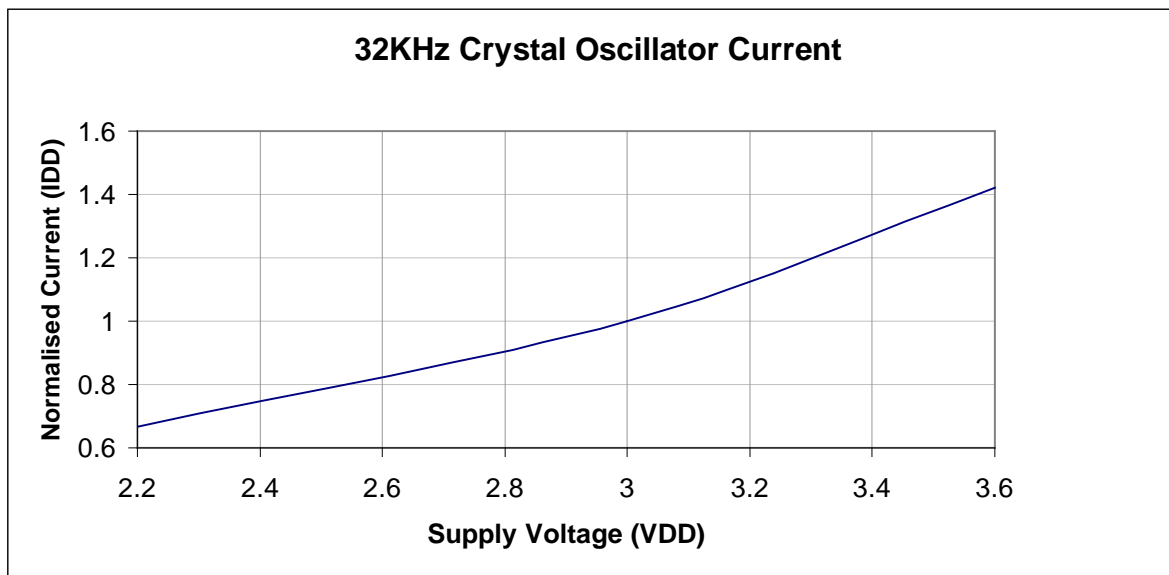
### 32kHz Crystal Requirements

Parameter	Min	Typ	Max	Notes
Crystal Frequency		32kHz		
Supply Current		1.6 $\mu$ A		Vdd=3v, temp=25 C, load cap =9pF, Rm=25K
Supply Current Temp. Coeff.		0.1%/ C		Vdd=3v
Crystal ESR Range (Rm)	10K $\Omega$	25K $\Omega$	80K $\Omega$	See below for more details
Crystal Load Capacitance Range (CL)	6pF	9pF	12.5pF	See below for more details
Not all Combinations of Crystal Load Capacitance and ESR are Valid				

Three examples of typical crystals are given, each with the value of external capacitors to use, plus the likely supply current and start-up time that can be expected. Also given is the maximum recommended ESR based on the start-up criteria given in Appendix B.1.3. The values of the external capacitors can be calculated using the equation in Appendix B.1.2 .

Load Capacitance	Ext Capacitors	Current	Start-up Time	Max ESR
9pF	15pF	1.6uA	0.8Sec	70KΩ
6pF	9pF	1.4uA	0.6sec	80KΩ
12.5pF	22pF	2.4uA	1.1sec	35KΩ

Below is measurement data showing the variation of the crystal oscillator supply current with voltage and with crystal ESR, for two load capacitances.



## B.4 JN5148 Module Reference Designs

For customers wishing to integrate the JN5148 device directly into their system, NXP provide a range of Module Reference Designs, covering standard and high-power modules fitted with different Antennae

To ensure the correct performance, it is strongly recommended that where possible the design details provided by the reference designs, are used in their exact form for all end designs, this includes component values, pad dimensions, track layouts etc. In order to minimise all risks, it is recommended that the entire layout of the appropriate reference module, if possible, be replicated in the end design.

For full details, consult the Standard Module Reference Design JN-RD-6015 [6].

### B.4.1 Schematic Diagram

A schematic diagram of the JN5148 PCB antenna reference module is shown in Figure 60. Details of component values and PCB layout constraints can be found in Table 8.

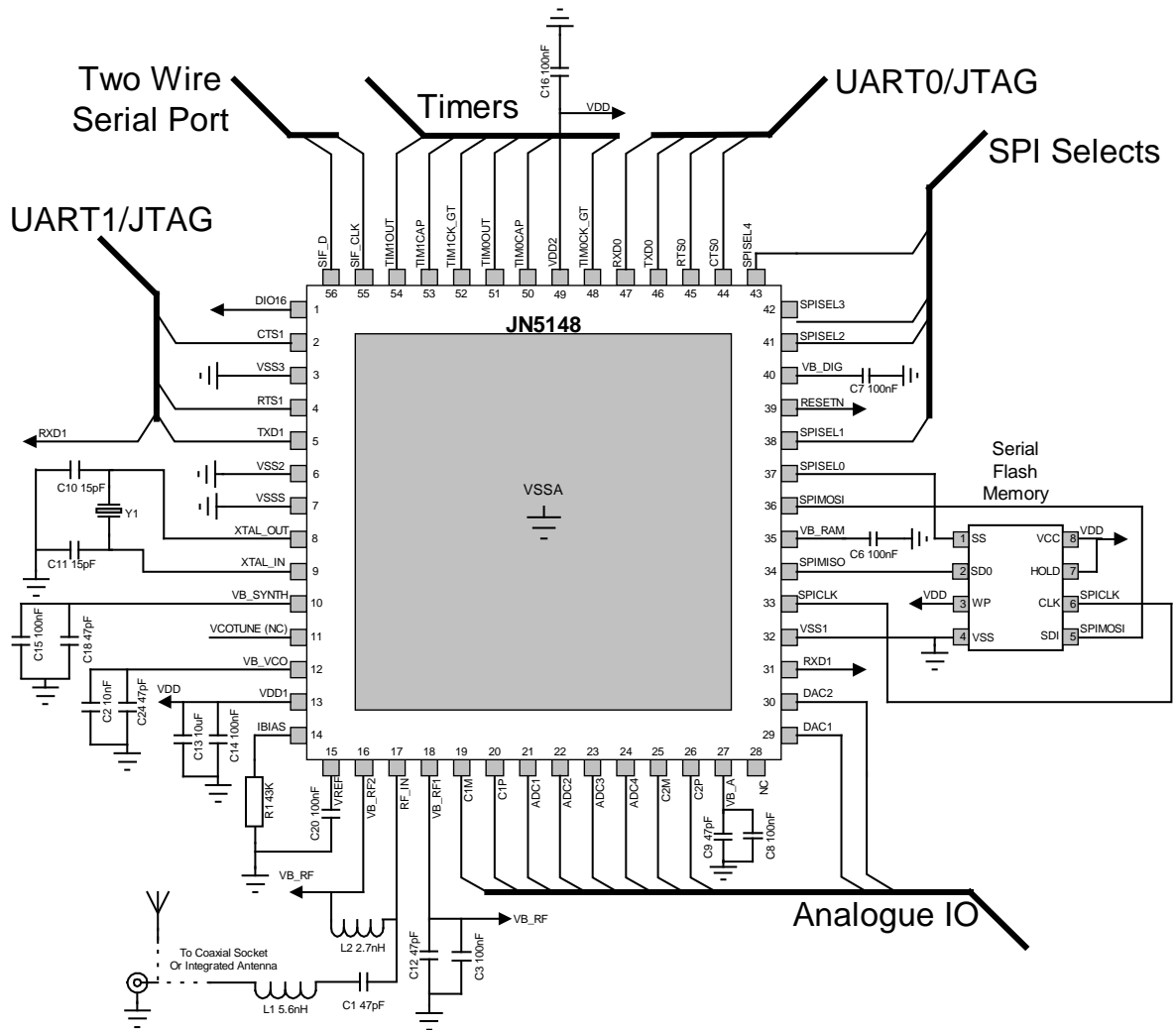


Figure 60: JN5148 Printed Antenna Reference Module Schematic Diagram

Component Designator	Value/Type	Function	PCB Layout Constraints
C13	10uF	Power source decoupling	
C14	100nF	Analogue Power decoupling	Adjacent to U1 pin 13
C16	100nF	Digital power decoupling	Adjacent to U1 pin 49
C15	100nF	VB Synth decoupling	Less than 5mm from U1 pin 10
C18	47pF	VB Synth decoupling	Less than 5mm from U1 pin 10
C2	10nF	VB VCO decoupling	Less than 5mm from U1 pin 12
C24	47pF	VB VCO decoupling	Less than 5mm from U1 pin 12
C3	100nF	VB RF decoupling	Less than 5mm from U1 pin 16 and U1 pin 18
C12	47pF	VB RF decoupling	Less than 5mm from U1 pin 16 and U1 pin 18
C8	100nF	VB A decoupling	Less than 5mm from U1 pin 27
C9	47pF	VB A decoupling	Less than 5mm from U1 pin 27
C6	100nF	VB RAM decoupling	Less than 5mm from U1 pin 35
C7	100nF	VB Dig decoupling	Less than 5mm from U1 pin 40
R1	43k	I Bias Resistor	Less than 5mm from U1 pin 14
C20	100nF	Vref decoupling	Less than 5mm from U1 pin 15
U2	4Mbit	Serial Flash Memory (Micron M25P40)	
Y1	32MHz	Crystal (AEL X32M000000S039 or Epson Toyocom X1E000021016700 ) (CL = 9pF, Max ESR 40R)	
C10	15pF +/-5% COG	Crystal Load Capacitor	Adjacent to pin 8 and Y1 pin 1
C11	15pF +/-5% COG	Crystal Load Capacitor	Adjacent to pin 9 and Y1 pin 3
R2			Not fitted
C1	47pF	AC Coupling Phycomp 2238-869-15479	Must be copied directly from the reference design.
L1	5.6nH	RF Matching Inductor MuRata LQP15MN5N6B02	
L2	2.7nH	Load Inductor MuRata LQP15MN2N7B02	

**Table 8: JN5148 Printed Antenna Reference Module Components and PCB Layout Constraints**

The paddle should be connected directly to ground. Any pads that require connection to ground should do so by connecting directly to the paddle.

## B.4.2 PCB Design and Reflow Profile

PCB and land pattern designs are key to the reliability of any electronic circuit design.

The Institute for Interconnecting and Packaging Electronic Circuits (IPC) defines a number of standards for electronic devices. One of these is the "Surface Mount Design and Land Pattern Standard" IPC-SM-782 [3], commonly referred to as "IPC782". This specification defines the physical packaging characteristics and land patterns for a range of surface mounted devices. IPC782 is also a useful reference document for general surface mount design techniques, containing sections on design requirements, reliability and testability. NXP strongly recommends that this be referred to when designing the PCB.

The suggested reflow profile is shown in Figure 61. The specific paste manufacturers guidelines on peak flow temperature, soak times, time above liquidus and ramp rates should also be referenced.

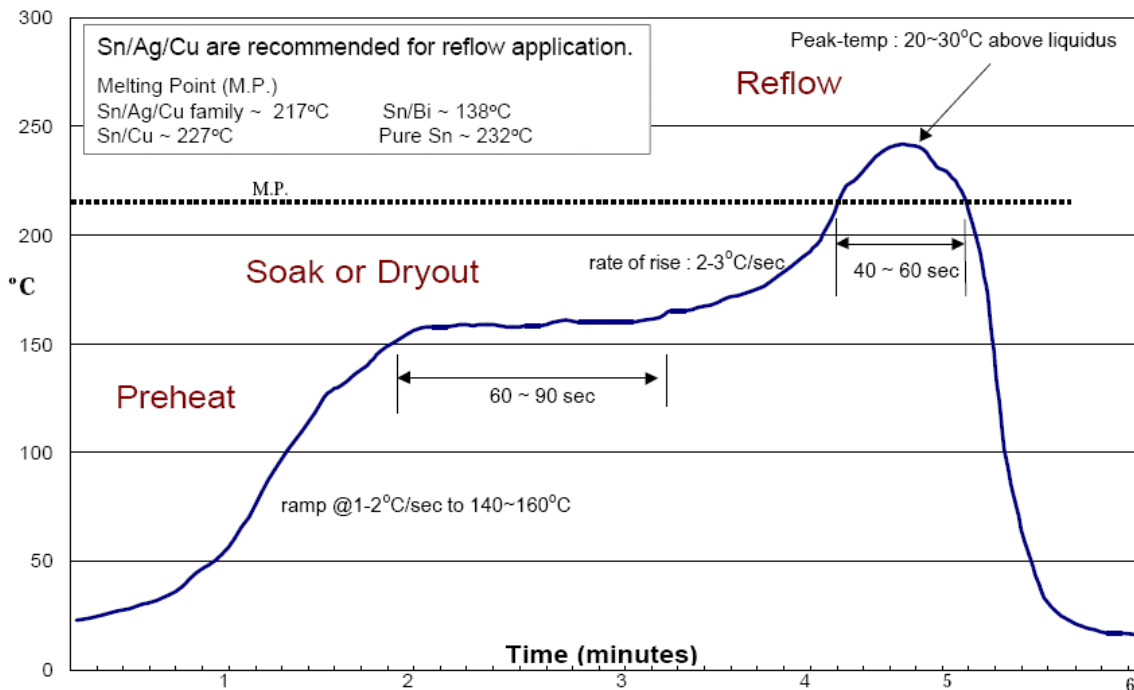


Figure 61: Recommended Reflow Profile for Lead-free Solder Paste or PPF lead frame



---

## Related Documents

- [1] IEEE Std 802.15.4-2003 IEEE Standard for Information Technology – Part 15.4 Wireless Medium Access Control (MAC) and Physical Layer (PHY) Specifications for Low-Rate Wireless Personal Area Networks (LR-WPANs).
- [2] JN-AN-1038 Programming Flash devices not supported by the JN51xx ROM-based bootloader
- [3] IPC-SM-782 Surface Mount Design and Land Pattern Standard
- [4] JN-AN-1118 JN5148 Application Debugging
- [5] JN-UG-3066 JN51xx Integrated Peripherals API User Guide
- [6] JN-RD-6015 Standard Module Reference Design
- [7] JN-AN-1003 Boot Loader Operation
- [8] IEEE Std 802.15.4-2006 IEEE Standard for Information Technology – Part 15.4 Wireless Medium Access Control (MAC) and Physical Layer (PHY) Specifications for Low-Rate Wireless Personal Area Networks (LR-WPANs).

## RoHS Compliance

JN5148 devices meet the requirements of Directive 2002/95/EC of the European Parliament and of the Council on the Restriction of Hazardous Substance (RoHS) and of the China RoHS (SJ/T11363 – 2006) requirements which came into force on 1<sup>st</sup> March 2007.

## Status Information

The status of this Data Sheet is.

### Production

NXP products progress according to the following format:

#### Advance

The Data Sheet shows the specification of a product in planning or in development.

The functionality and electrical performance specifications are target values of the design and may be used as a guide to the final specification. Integrated circuits are identified with an Rx suffix, for example JN5148-J01R1.

NXP reserves the right to make changes to the product specification at anytime without notice.

#### Preliminary

The Data Sheet shows the specification of a product that is commercially available, but is not yet fully qualified.

The functionality of the product is final. The electrical performance specifications are target values and may used as a guide to the final specification. Integrated circuits are identified with an Rx suffix, for example JN5148-J01R1.

NXP reserves the right to make changes to the product specification at anytime without notice.

#### Production

This is the production Data Sheet for the product.

All functional and electrical performance specifications, where included, including min and max values are derived from detailed product characterization.

This Data Sheet supersedes all previous document versions.

NXP reserves the right to make changes to the product specification at anytime.

---

## Disclaimers

**Limited warranty and liability** — Information in this document is believed to be accurate and reliable. However, NXP Semiconductors does not give any representations or warranties, expressed or implied, as to the accuracy or completeness of such information and shall have no liability for the consequences of use of such information. NXP Semiconductors takes no responsibility for the content in this document if provided by an information source outside of NXP Semiconductors.

In no event shall NXP Semiconductors be liable for any indirect, incidental, punitive, special or consequential damages (including - without limitation - lost profits, lost savings, business interruption, costs related to the removal or replacement of any products or rework charges) whether or not such damages are based on tort (including negligence), warranty, breach of contract or any other legal theory.

Notwithstanding any damages that customer might incur for any reason whatsoever, NXP Semiconductors' aggregate and cumulative liability towards customer for the products described herein shall be limited in accordance with the *Terms and conditions of commercial sale* of NXP Semiconductors.

**Right to make changes** — NXP Semiconductors reserves the right to make changes to information published in this document, including without limitation specifications and product descriptions, at any time and without notice. This document supersedes and replaces all information supplied prior to the publication hereof.

**Suitability for use** — NXP Semiconductors products are not designed, authorized or warranted to be suitable for use in life support, life-critical or safety-critical systems or equipment, nor in applications where failure or malfunction of an NXP Semiconductors product can reasonably be expected to result in personal injury, death or severe property or environmental damage. NXP Semiconductors and its suppliers accept no liability for inclusion and/or use of NXP Semiconductors products in such equipment or applications and therefore such inclusion and/or use is at the customer's own risk.

**Applications** — Applications that are described herein for any of these products are for illustrative purposes only. NXP Semiconductors makes no representation or warranty that such applications will be suitable for the specified use without further testing or modification.

Customers are responsible for the design and operation of their applications and products using NXP Semiconductors products, and NXP Semiconductors accepts no liability for any assistance with applications or customer product design. It is customer's sole responsibility to determine whether the NXP Semiconductors product is suitable and fit for the customer's applications and products planned, as well as for the planned application and use of customer's third party customer(s). Customers should provide appropriate design and operating safeguards to minimize the risks associated with their applications and products.

NXP Semiconductors does not accept any liability related to any default, damage, costs or problem which is based on any weakness or default in the customer's applications or products, or the application or use by customer's third party customer(s). Customer is responsible for doing all necessary testing for the customer's applications and products using NXP Semiconductors products in order to avoid a default of the applications and the products or of the application or use by customer's third party customer(s). NXP does not accept any liability in this respect.

**Export control** — This document as well as the item(s) described herein may be subject to export control regulations. Export might require a prior authorization from competent authorities.

**Limiting values** — Stress above one or more limiting values (as defined in the Absolute Maximum Ratings System of IEC 60134) will cause permanent damage to the device. Limiting values are stress ratings only and (proper) operation of the device at these or any other conditions above those given in the Operating Conditions section or the Electrical Characteristics sections of this document is not warranted. Constant or repeated exposure to limiting values will permanently and irreversibly affect the quality and reliability of the device.

**AEC unqualified products** — This product has not been qualified to the appropriate Automotive Electronics Council (AEC) standard Q100 or Q101 and should not be used in automotive applications, including but not limited to applications where failure or malfunction of an NXP Semiconductors product can reasonably be expected to result in personal injury, death or severe property or environmental damage. NXP Semiconductors accepts no liability for inclusion and/or use of NXP Semiconductors products in such equipment or applications and therefore such inclusion and/or use is for the customer's own risk.

**Product specification** — The information and data provided in a Product data sheet shall define the specification of the product as agreed between NXP Semiconductors and its customer, unless NXP Semiconductors and customer have explicitly agreed otherwise in writing. In no event however, shall an agreement be valid in which the NXP Semiconductors product is deemed to offer functions and qualities beyond those described in the Product data sheet

All products are sold subject to NXP Semiconductors' terms and conditions of sale, supplied at the time of order acknowledgment and published at <http://www.nxp.com/profile/terms>.

## Trademarks

All trademarks are the property of their respective owners.

---

## Version Control

Version	Notes
1.0	3 <sup>rd</sup> August 2011 – First issue
1.1	10 <sup>th</sup> October 2011 – Production status. Updated ordering information, revised timer diagram and new recommended 32MHz crystals
1.2	6 <sup>th</sup> September 2013 - Modified description of interrupts within the CPU in Chapter 3

---

## Contact Details

**NXP Laboratories UK Ltd**  
(Formerly Jennic Ltd)  
Furnival Street  
Sheffield  
S1 4QT  
United Kingdom

Tel: +44 (0)114 281 2655  
Fax: +44 (0) 114 281 2951

For the contact details of your local NXP office or distributor, refer to the NXP web site:

[www.nxp.com](http://www.nxp.com)