

JQC-24F

AUTOMOTIVE RELAY



Typical Applications

Fan control, Fuel pump control, Oil injection, A/C compressor clutch, Horn control, Lighting, fog lamp & headlight control

Features

- 15A continuous contact rating at 85°C.
- 1 From A and 1 From C arrangement.
- 2.8mm plug-in terminals.
- Plastic enclosure.
- Extended temperature range: -40°C to +125°C

CONTACT DATA

Contact Arrangement	1C	1A
Initial Contact Resistance	Max. 100mΩ (at 1A 6VDC)	
Contact Material	AgSnO ₂	
Contact rating	14VDC NO/NC : 20A/10A	14VDC 20A
Max. Break current	NO/NC : 30A/15A	30A
Max. Continuous current	NO/NC : 20A/10A	20A
Max. Make current ⁽¹⁾	NO/NC : 120A/40A	120A
Min. Applicable load	6VDC, 100mA	
Mechanical life	1x10 ⁷ OPS	
Electrical life	1x10 ⁵ OPS	

Note (1) : Inrush current for lamp load

COIL

Coil power	1.3W, 1.5W(with resistor)
------------	---------------------------

CHARACTERISTICS

Initial Insulation Resistance	100MΩ 500VDC	
Dielectric Strength	Between coil and Contacts	500VAC
	Between open contacts	500VAC
Operate time (at nomi.Vot.)	4 ms	
Release time (at nomi.Vot.)	1.5 ms	
Shock Resistance	Functional	100 m/s ²
	Destructive	200 m/s ²
Vibration resistance	1.27mm, 10 ~ 40Hz; 40 ~ 70Hz, 50m/s ² 0.5mm, 70 ~ 100Hz; 100 ~ 500Hz, 100m/s ²	
Ambient temperature	-40°C to +125°C	
Termination	ISO	
Unit weight	21g	
Construction	Dust Cover	

COIL DATA

Nominal Voltage VDC	Pick-up Voltage VDC	Drop-out Voltage VDC	Coil Resistance ± 10%	Allowable Overdrive (VDC)	
				23°C	85°C
6	3.60	0.60	27	10.4	7.60
12	7.20	1.20	109	20.4	14.9
24	14.40	2.40	436	40.4	29.6



HONGFA RELAY
ISO9001、ISO/TS16949、ISO14001 CERTIFIED

VERSION: EN02-20040601

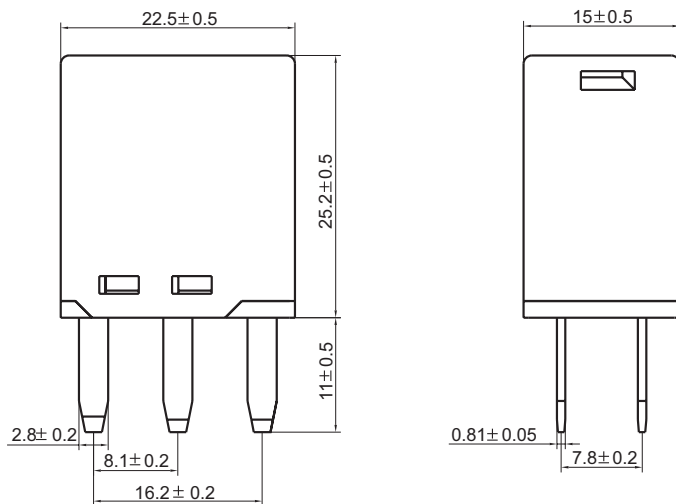
ORDERING INFORMATION

Type	JQC-24F / 012 1Z R	XXX
Coil voltage	6, 12, 24VDC	
Contact arrangement	1H:1A (SPST-NO) 1Z:1C (SPDT)	
Parallel resistor	<p>R: Resistor in parallel with coil. 180Ω resistor in parallel 6VDC coil; 680Ω resistor in parallel 12VDC coil; 2700Ω resistor in parallel 24VDC coil;</p> <p>Nil: Without resistor</p>	
Customer special request code		

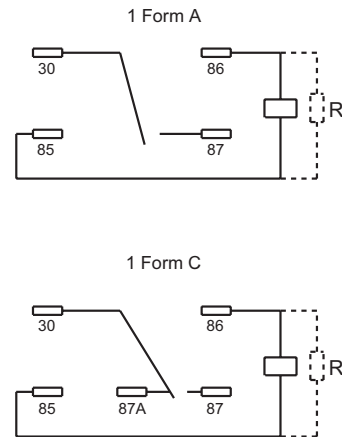
www.DataSheet4U.com

OUTLINE DIMENSIONS, WIRING DIAGRAM AND PC BOARD LAYOUT

Outline Dimensions

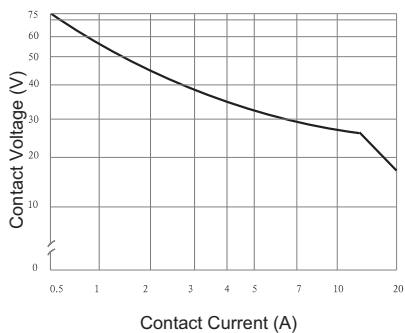


Wiring Diagram



CHARACTERISTICS CURVE

Maximum Swit Ching Power



Max.Allowable Ambient Temperature

