



**MINIATURE POWER RELAY**

Single-Pole, 10A , PC Board & QC terminal

**JQX-14FF**



- 10A switching capabilities
- SPST-NO and SPDT configurations
- 5KV dielectric between coil to contacts
- UL & CUR file No. E134517
- TÜV file No. R9659296

**CONTACT DATA**

Arrangement	SPST-NO, SPDT	
Initial Contact Resistance	50mΩ	
Max. (at 1A 24VDC)		
Contact Material	Silver alloy	
Contact Rating (Res. Load)	10A 220VAC/30VDC TV-5	
Max. switching voltage	250VAC/30VDC	
Max. switching current	10A	
Max. switching power	2200VA/300W	
UL/CUR rating	10A 277AC/30VDC 1/4HP 125VAC 1/3HP 250VAC	
TÜV rating	10A 250VAC/30VDC	
Expected operations	Mechanical	1X10 <sup>7</sup> (18,000 ops/h)
Life min.	Electrical	1X10 <sup>5</sup> (1800 ops/h)

**SPECIFICATION**

Initial Insulation Resistance	1000MΩ , 500VDC	
Dielectric Strength		
Between coil and Contacts	5000VAC,1minute	
Between open contacts	1000VAC,1minute	
Surge Voltage between	10000V	
Contacts and coil	(at 5.2X50us)	
Operate time (at nomi. Vot.)	15ms	
Release time (at nomi. Vot.)	5ms	
Humidity	98%, +40℃	
Ambient temperature	-40 to +70℃	
Shock	Functional	100m/s <sup>2</sup>
Resistance	Destructive	1000m/s <sup>2</sup>
Vibration Resistance	1.5mm, 10 to 55Hz	
Termination	PCB and QC	
Unit weight	Approx. 18g	
Construction	Sealed and Unsealed	

**COIL**

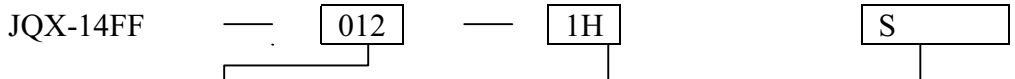
Nominal coil power	0.55W
--------------------	-------

**TABLE**

Nominal Voltage VDC	Pick-up Voltage VDC	Drop-out Voltage VDC	Max. allowable Voltage VDC ( at 20 °C )	Coil Resistance Tolerance: ±10% Ω
3	2.25	0.3	3.9	17
5	3.75	0.5	6.5	47
6	4.5	0.6	7.8	68
9	6.75	0.9	11.7	160
12	9.0	1.2	15.6	275
18	13.5	1.8	23.4	650
24	18.0	2.4	31.2	1100
48	36.0	4.8	62.4	4170
60	45.0	6.0	78	7000

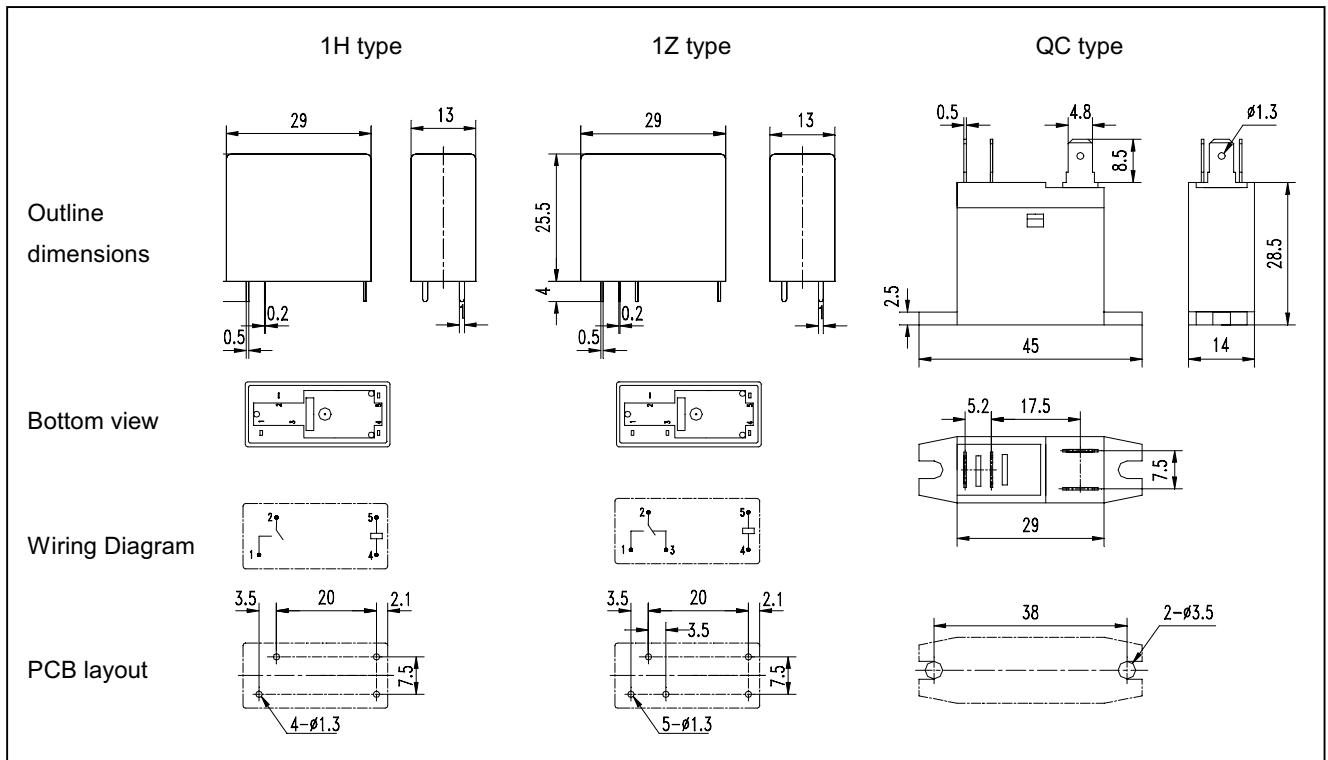
- When require pick-up voltage<75% of nominal voltage, special order allowed.

■ ORDERING INFORMATION



Coil voltage	Contact arrangement	Classification of type
3,5,6,9,12,18,24 48,60VDC	1H: SPST-NO 1Z: SPDT	S: Sealed Nil: Unsealed QC: QC type

■ OUTLINE DIMENSIONS , WIRING DIAGRAM AND PC BOARD LAYOUT



■ USEFUL CURVES

