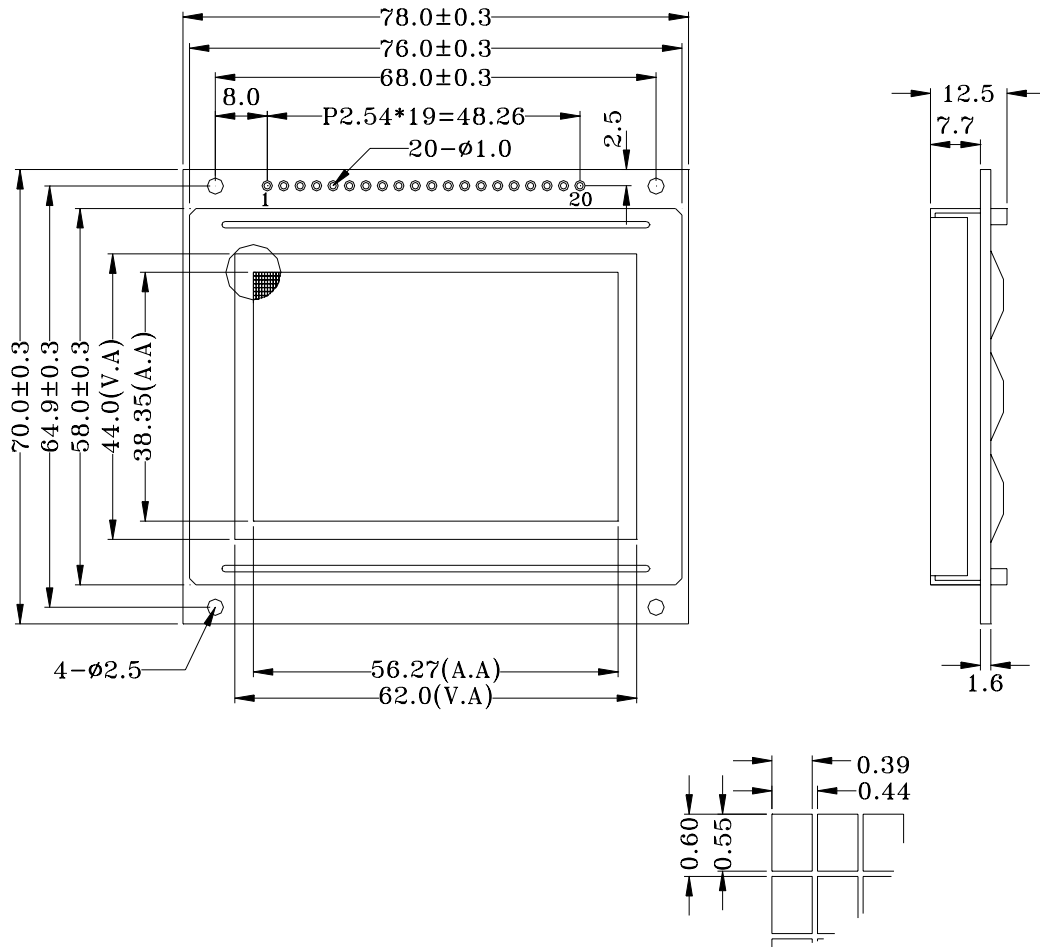


1 OUTLINE DIMENSION



2 PIN CONNECTIONS

NO.	SYMBOL	FUNCTION
1	CS1	Chip select for IC1
2	CS2	Chip select for IC2
3	VSS	Ground (0V)
4	VDD	Supply Voltage for Logic (+5V)
5	VO	Constant adjustment
6	D/I	Select display Data(H) or Instruction(L)
7	R/W	Read/Write select signal
8	E	Chip Enable Signal
9-16	DB0-DB7	Data Bus Line
17	RST or NC	Reset the system or no connect
18	VEE or NC	Negative Power Supply Output (-10V) or no connect
19, 20	LEDA K or NC	LED Supply Voltage + (5V) or no connect

