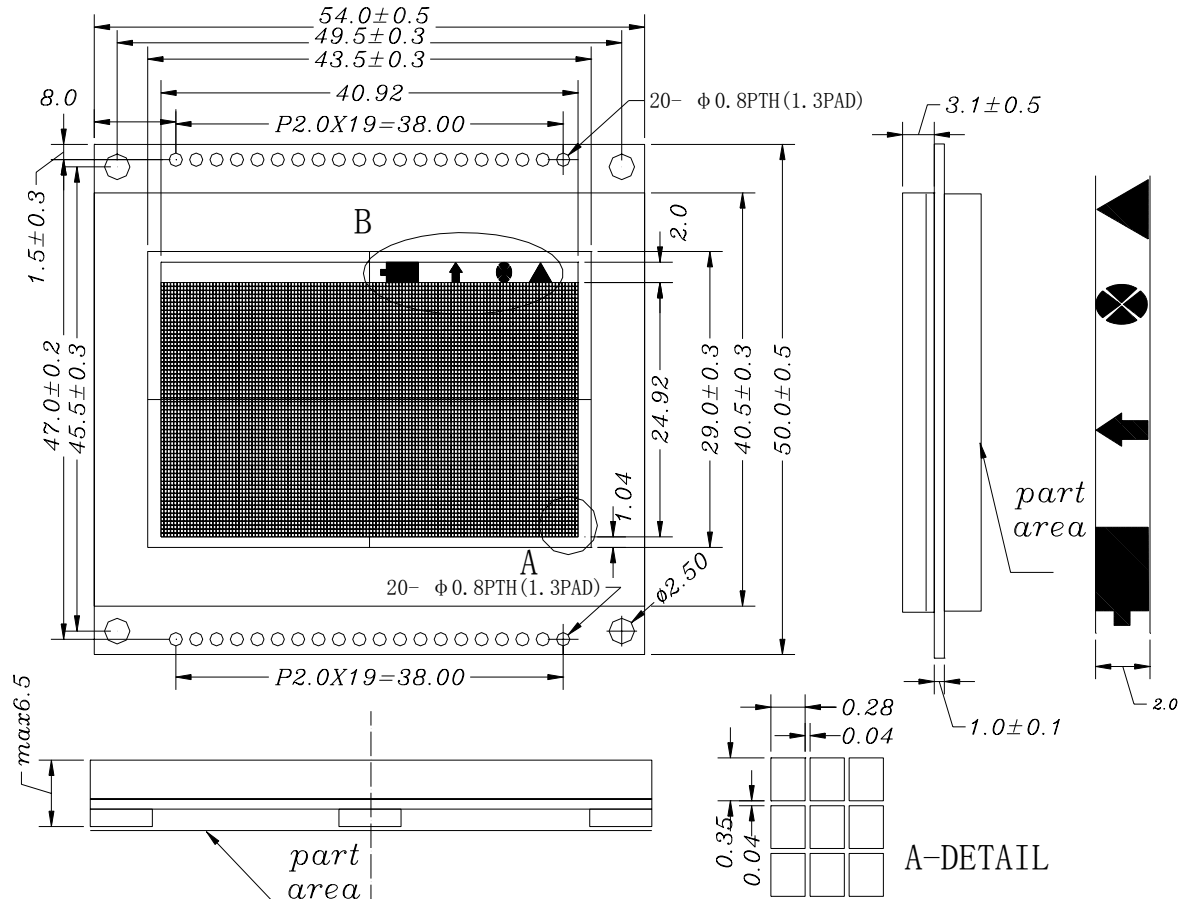




1 OUTLINE DIMENSION

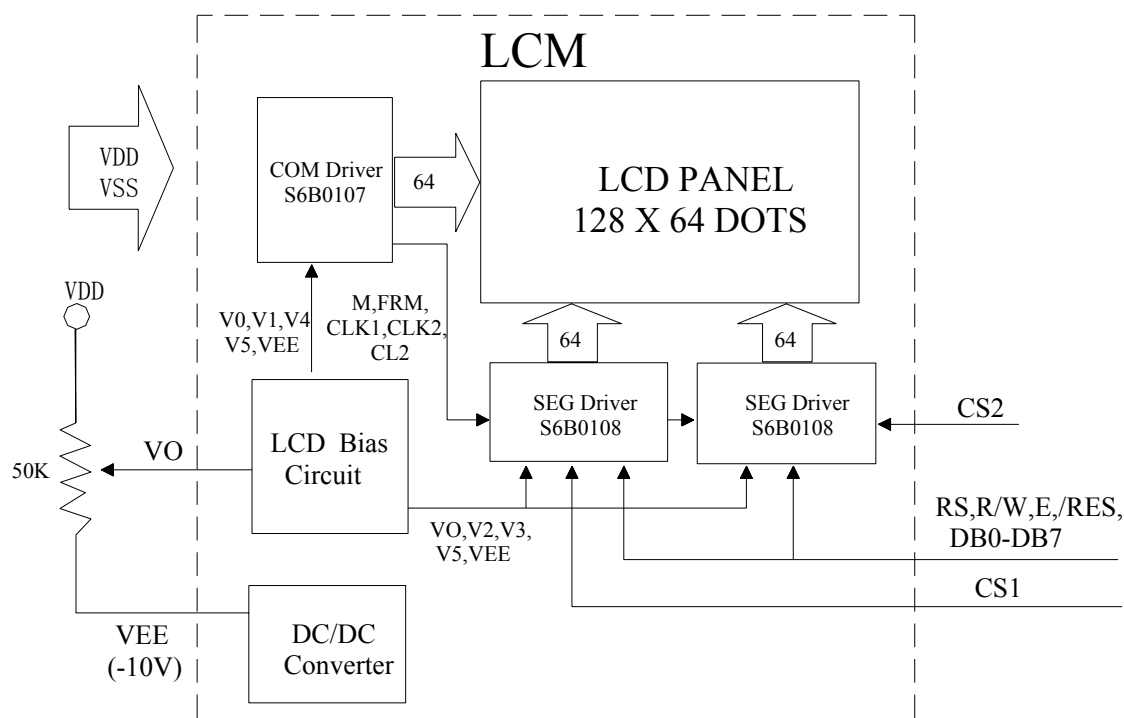


B-DETAIL have been rotated 90 degree

2 PIN CONNECTIONS

NO.	SYMBOL	FUNCTION
1	VSS	Ground (0V)
2	VDD	Supply Voltage for Logic (+5V)
3	V0	Contrast Adjustment
4	D/I	Data/Instruction Select
5	R/W	Read/Write Select
6	E	Enable Signal
7-14	DB0-DB7	Data Bus
15	CS1	Chip Selection For Segment IC1
16	CS2	Chip Selection For Segment IC2
17	/RES	Reset
18	VEE	Negative Voltage Output (-10V)
19	ELON	EI Backliht driver IC Enable(H:on L:off)
20	NC	No Connect

3 BLOCK DIAGRAM & INTERFACE



4 ELECTRO-OPTICAL CHARACTERISTICS

Parameter	Symbol	Condition	Min	Typ	Max	Unit	Note
----- Electronic Characteristics -----							
Logic Circuit Supply Voltage	VDD-VSS	--	4.5	5.0	5.5	V	
LCD Driving Voltage (Normal Temp. type)	VDD-VO	0 °C	--	--	--	V	
		25 °C	--	9.0	--		
		50 °C	--	--	--		
Input Voltage	VIH	--	0.7 VDD	--	VDD	V	
	VIL	--	VSS	--	0.3 VDD	V	
Logic Supply Current	IDD	VDD = 5V	--	1	2	mA	
----- Temperature Characteristics -----							
Normal temp. type	TOP	Operating Temp.	0		50	°C	
	TSTG	Storage Temp.	-10		60	°C	
Extended temp. type	TOP	Operating Temp.	-20		70	°C	
	TSTG	Storage Temp.	-30		80	°C	
----- EL Back-light Characteristics -----							
Applied Voltage	VEL	--	80	100	120	V	
Current	IF	Fa=400Hz	--	30	--	mA	
Bare LED Luminous intensity		Fa=400Hz	--	100	--	cd/m ²	
LCM Luminous intensity		Fa=400Hz	--	20	--	cd/m ²	