

Surface Mount

Phase Shifter

180° Voltage Variable, 700 to 1000 MHz



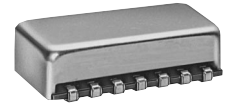
JSPHS-1000

Maximum Ratings

Operating Temperature	-20°C to 85°C
Storage Temperature	-20°C to 85°C
RF Input Power	0 dBm max.
Control Voltage	28V

Pin Configuration

IN	1
OUT	7
BIAS	4,6
GROUND	all other pins



CASE STYLE: BK276
 PRICE: \$ 32.95 ea.
 QTY.: (1-9)

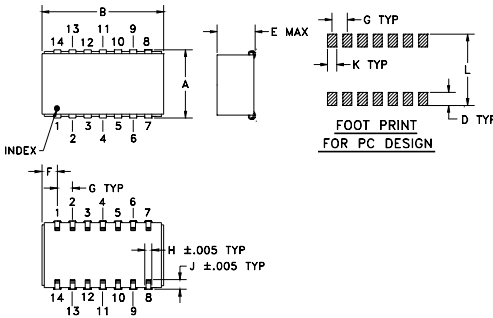
Features

- good VSWR, 1.2:1 typ.
- low insertion loss, 1.2 dB typ.
- solder-plated J-leads for excellent solderability and strain relief

Applications

- cellular

Outline Drawing



Outline Dimensions (inch mm)

A	B	C	D	E	F	G	H
.470	.803	—	.100	.250	.102	.100	.047
11.94	20.40	—	2.54	6.35	2.59	2.54	1.19
J	K	L	wt.				
.065	.065	.490	grams				
1.65	1.65	12.45	3.0				

Electrical Specifications

PHASE RANGE (Degrees)	FREQUENCY RANGE (MHz)	INSERTION LOSS (dB)		CONTROL VOLTAGE (V)	CONTROL BANDWIDTH (KHz)	VSWR (:1)	
		Typ.	Max.			Typ.	Max.
180	700-850	1.2	2.0	0-15	DC-50	1.2	2.0
160	700-1000	1.2	2.0	0-15	DC-50	1.2	2.0

Typical Performance Data

Control Voltage (V)	Phase Shift (degrees)			VSWR (:1)			Insertion Loss (dB)		
	700 MHz	850 MHz	1000 MHz	700 MHz	850 MHz	1000 MHz	700 MHz	850 MHz	1000 MHz
0.00	0.00	0.00	0.00	1.42	1.13	1.52	1.48	1.63	1.54
2.00	25.08	16.78	11.21	1.55	1.13	1.43	1.63	1.63	1.52
4.00	64.66	44.54	30.16	1.69	1.21	1.29	1.74	1.63	1.46
6.00	141.20	119.49	89.61	1.53	1.40	1.21	1.37	1.54	1.40
8.00	171.07	160.75	134.12	1.37	1.30	1.37	1.15	1.46	1.36
10.00	182.16	177.41	155.54	1.31	1.23	1.34	1.09	1.44	1.29
12.00	188.09	186.53	168.05	1.28	1.19	1.29	1.06	1.42	1.23
13.00	190.18	189.72	172.58	1.27	1.18	1.27	1.05	1.42	1.20
14.00	191.91	192.37	176.43	1.27	1.17	1.25	1.04	1.42	1.19
15.00	193.41	194.57	179.67	1.26	1.16	1.23	1.03	1.42	1.17

