

## JST1151/JSR1151



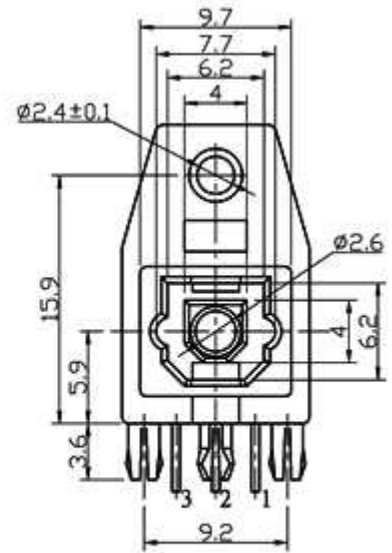
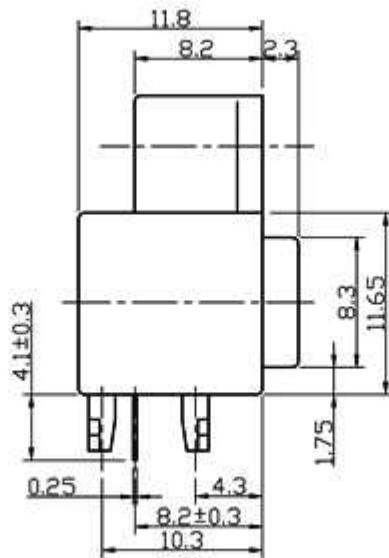
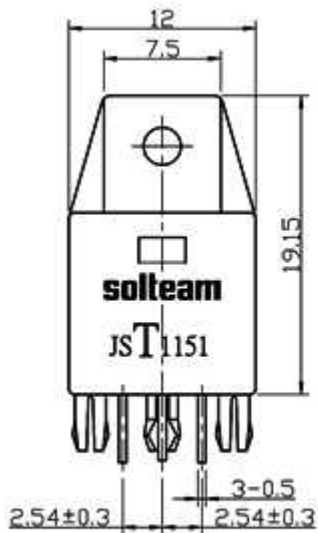
Plug type

Screw use holder

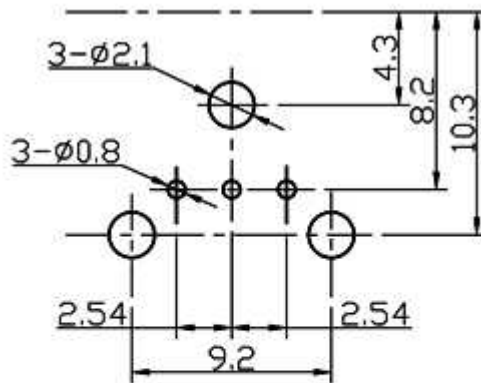
Offer TX/RX (Transmitter / Receiver)

16/25/50 Mbps optical transmitting option

Application: DVD Player, audio amplifier



**PIN Function:**  
1.Gnd  
2.Vcc  
3.Vin



### PCB LAYOUT(TOP VIEW)

1. Tolerances  $\pm 0.1$  mm
2. Substrate Thickness: 1.6 mm