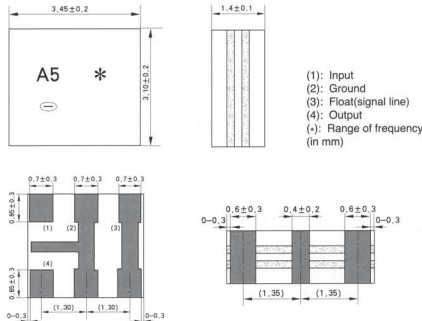


● TECHNICAL CHARACTERISTICS

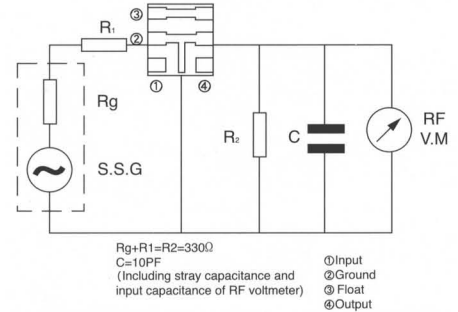
Part Number	3dB Band Width (kHz)max	20dB Band Width (kHz)max	Insertion Loss (dB)max	Spurious Attenuation (9-12MHz)(dB)min
LTCS10.7MS3	180±40	470	4.5±2.0	30
LTCS10.7MS2	230±50	510	3.5±2.0	30
LTCS10.7MA5	280±50	590	3.0±2.0	30
LTCS10.7MA20	330±50	700	3.0±2.0	30



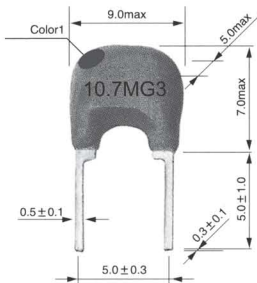
● DIMENSIONS(mm)



● TEST CIRCUIT



● DIMENSIONS(mm)



● TECHNICAL CHARACTERISTICS

Part Number	Demodulation Out at fo (mv)min	Distortion Factor at fo(%)max	Demodulation 3dB Band Width (KHz)max	Applicable IC
JT10.7MG1	25	1.0	345	CX2009,CX2001
JT10.7MG3	25	1.0	±150	TA7303P,TA7130P μPC1028H,LA1150
JT10.7MG16	60 - 90	0.9	300	TA8122AN
JT10.7MG18	60 - 90	0.9	300	TA8132N
JT10.7MG31	50	1.0	300	TA2007
JT10.7MG33	45	0.7	250	TA2009P/F
JT10.7MG77	60	1.0	220	TA2111
JT10.7MG80	65	1.0	300	TA2104AFN
JT10.7MG82	90	0.8	320	TA2009N
JT10.7MG92	60	1.0	300	TA2132P
JT10.7MC1	35	1.0	242	CXA1019M,CX2009

● SPECIFICATION

Center Frequency	Color
D:10.64MHz±30KHz	Black
B:10.67MHz±30KHz	Blue
A:10.70MHz±30KHz	Red
C:10.73MHz±30KHz	Orange
E:10.76MHz±30KHz	White

● TEST CIRCUIT

