

Product Introduction

Introduction (JT10.7M)

Features :

- Dimensions: (9.0 max × 7.0 max × 5.0 max) Unit: mm.
- Center Frequency: 10.64MHz±30kHz, 10.64MHz±30kHz, 10.70MHz±30kHz, 10.73MHz±30kHz, and 10.76MHz±30kHz.
- Available IC: TA7303P, TA7130, μ PC1028H, LA1150, TA8122AN, TA8132N, TA2007, TA2104AFN, TA2099N, TA2132P, CX-2009, CX-20111, CXA1019M, CX-20091.

Token Ceramic discriminator for FM (JT10.7M) is compatible to Murata CDA 10.7. Token ceramic discriminator is primarily designed for piezoelectric lines and conforms to the RoHS directive and Lead-free.

Ceramic discriminator can be customized designs and tighter tolerances available on request. Application of ceramic discriminator specific designs also available including different piezo band-pass devices and Q specifications adjusted to frequency requirements.



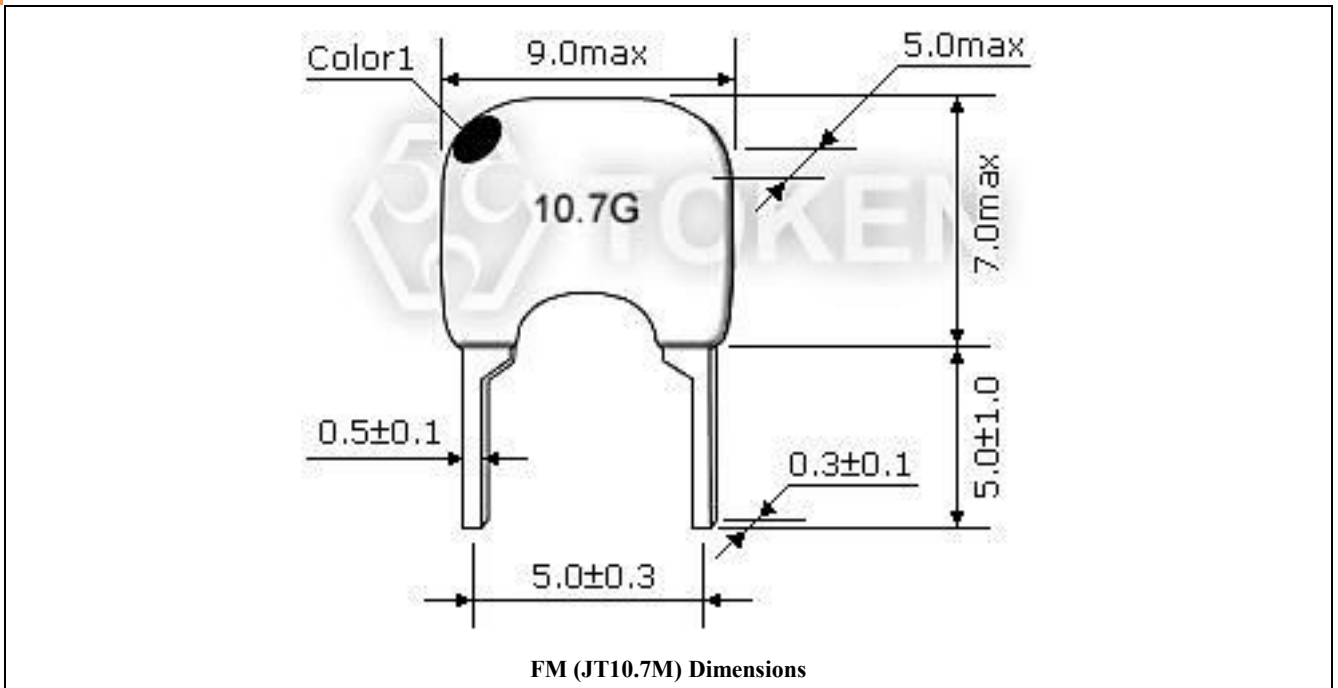
TOKEN ceramic filters, discriminator, and trap filters can supply you high performance, high quality and stability. Ceramic discriminator provides reliable start up and stable oscillation in microprocessor circuits across a wide variety of applications.

JT10.7M for FM is resonated devices that offer adjustment free audio detection in both wide and narrow bandwidths. These IC dependent devices utilize FM specific detection methods to convert changes in frequency into an intelligible audio signal.

Contact us with your specific needs. For more information, please link to Token official website "[Ceramic Discriminator](http://www.token.com.tw)".

► Dimensions

Dimensions (Unit: mm) (JT10.7M)



Technical Characteristics

Technical Characteristics (JT10.7M)

Part Number	Demodulation Output at fo (mv) min	Distortion Factor at fo (%) max	Demodulation 3dB Band Width (KHz) max	Applicable IC
JT10.7MG1	25	1.0	345	CX-2009, CX-20111
JT10.7MG3	650	1.0	±150	TA7303P, TA7130, μPC1028H, LA1150
JT10.7MG16	60~90	0.9	300	TA8122AN
JT10.7MG18	60~90	0.9	300	TA8132N
JT10.7MG33	45	0.7	250	TA2007
JT10.7MG80	65	1.0	300	TA2104AFN
JT10.7MG82	90	0.8	320	TA2099N
JT10.7MG92	60	1.0	300	TA2132P
JT10.7MC1	35	1.0	242	CXA1019M, CX-20091

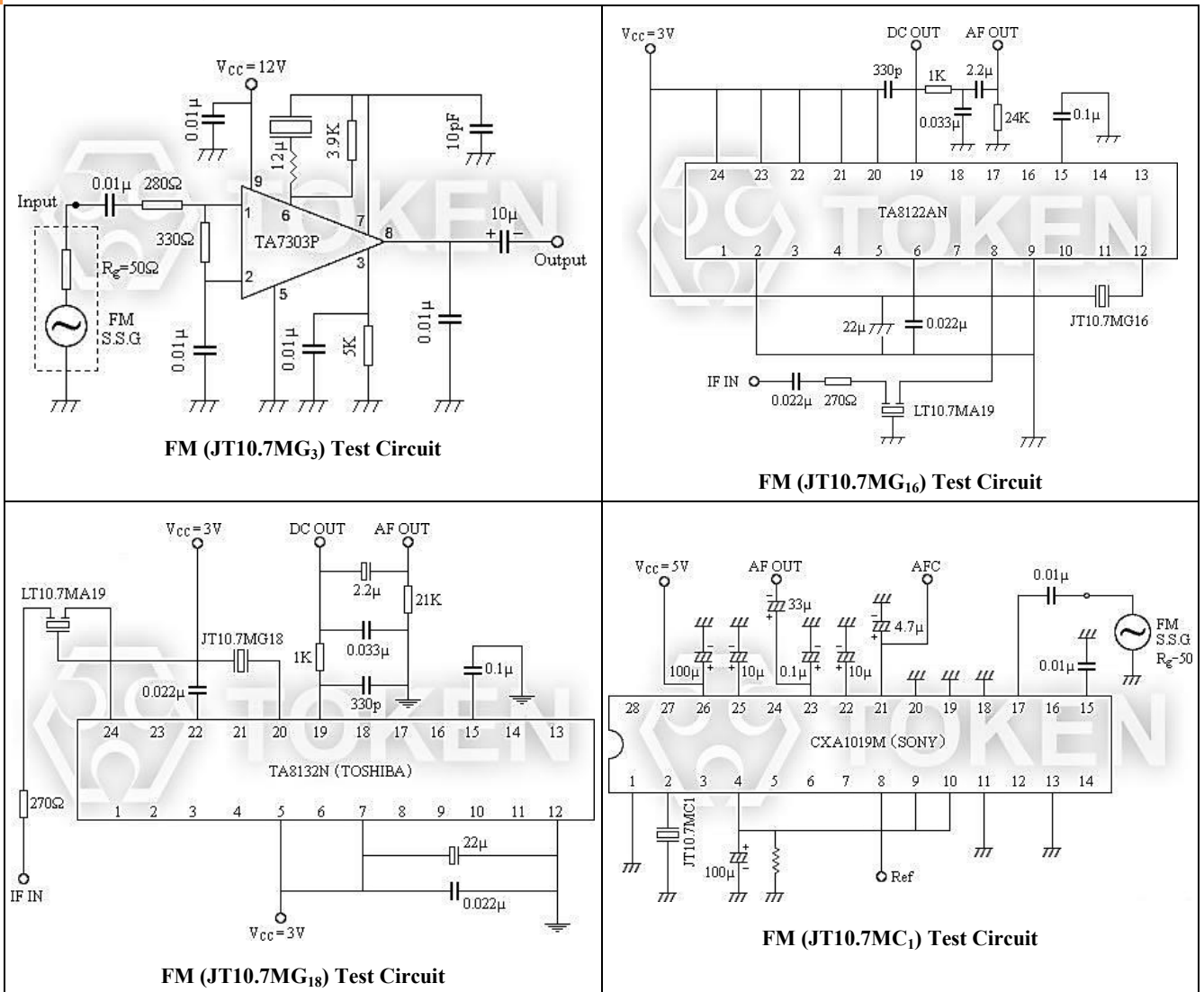
Standard Rule

Standard Rule (JT10.7M)

Center Frequency	Color
D:10.64MHz±30kHz	Black
B:10.67MHz±30kHz	Blue
A:10.70MHz±30kHz	Red
C:10.73MHz±30kHz	Orange
E:10.76MHz±30kHz	White

Test Circuit

Test Circuit (JT10.7M)



Order Codes

Order Codes (JT10.7M)

JT10.7MG3	-	A	P
Part Number		Center Frequency color code	Package
		A	10.70MHz±30kHz
		B	10.67MHz±30kHz
		C	10.73MHz±30kHz
		D	10.64MHz±30kHz
		E	10.76MHz±30kHz

General Information

Advantage of Token Piezoelectric Ceramics

Token Electronics had been able to develop specialized piezo materials which when combined with an advance design have resulted in a complete line of practical, inexpensive piezo devices for entertainment and communications applications.

Token reliably deliver high-quality components according to the each customer special needs with respect to performance, costs, and technology modifications.

For marketing discontinuations or sourcing activities concerning Piezoelectric **Discriminator** products, you are encouraged to contact our Sales Department so the request can be properly directed within Token.