

TOSHIBA CMOS DIGITAL INTEGRATED CIRCUIT SILICON MONOLITHIC

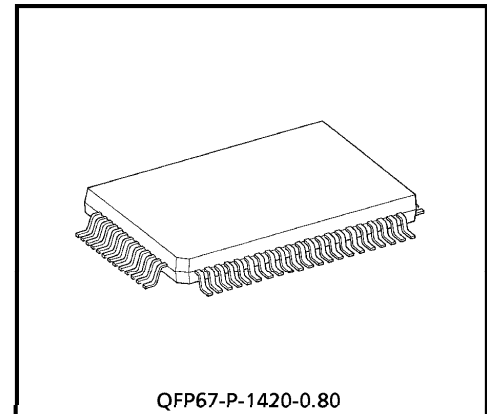
# T6M45, JT6M45-AS

## T6M45, JT6M45-AS CMOS 1 CHIP LSI FOR LCD ELECTRONIC CALCULATOR

The T6M45, JT6M45-AS is a 1 chip microcomputer for 12-digits 2-memory or 10-digits 2-memory electronic calculator.

T6M45, JT6M45-AS can drive the liquid crystal display (LCD). Single power supply operation, wide operating voltage range and low power consumption make it suitable for 1.5V solar battery operated calculator.

Besides T6M45, JT6M45-AS can selectable with a pin-programmable to function of Power timer and Memory hold.



Weight : 1.20g (Typ.)

### FEATURES

Operational Features :

- 12-digits or 10-digits (selectable with a pin-programmable) of data, 2-digits of sign, error symbol, memory load symbol.
- Algebraic mode.
- Standard 4 functions (+, -, ×, ÷)
- Memory and grand total (GT) memory calculation.
- Accumulating GT memory register with count up (down) item counter.
- Automatic percentage operation with add-on, discount.
- Automatic delta percentage, mark-up and markdown operations.
- Square root.
- Constant calculation.
- Chain calculation.
- Change sign.
- Floating minus.
- Key roll over function (2 keys).
- Fixed point ("0", "1", "2", "3", "4" or "6" places) or floating point (selectable with a switch).
- Adding point mode (selectable with a switch).

980910EBA2

● TOSHIBA is continually working to improve the quality and the reliability of its products. Nevertheless, semiconductor devices in general can malfunction or fail due to their inherent electrical sensitivity and vulnerability to physical stress. It is the responsibility of the buyer, when utilizing TOSHIBA products, to observe standards of safety, and to avoid situations in which a malfunction or failure of a TOSHIBA product could cause loss of human life, bodily injury or damage to property. In developing your designs, please ensure that TOSHIBA products are used within specified operating ranges as set forth in the most recent products specifications. Also, please keep in mind the precautions and conditions set forth in the TOSHIBA Semiconductor Reliability Handbook.

- Rounding switches (rounding up, down and off) .
- Leading zero suppression.
- Trailing zero suppression.
- Punctuation on display, commas for thousands.
- Memory and GT memory contents indicator, turned on with non-zero in the memory and GT memory.
- Registration overflow, indicating that too many digits are entered (the most significant digit are protected) .
- Result overflow, indicating during calculation (most function key are locked as it happened) .
- Memory overflow indicating to flashing of memory load mark.

#### Electrical Features

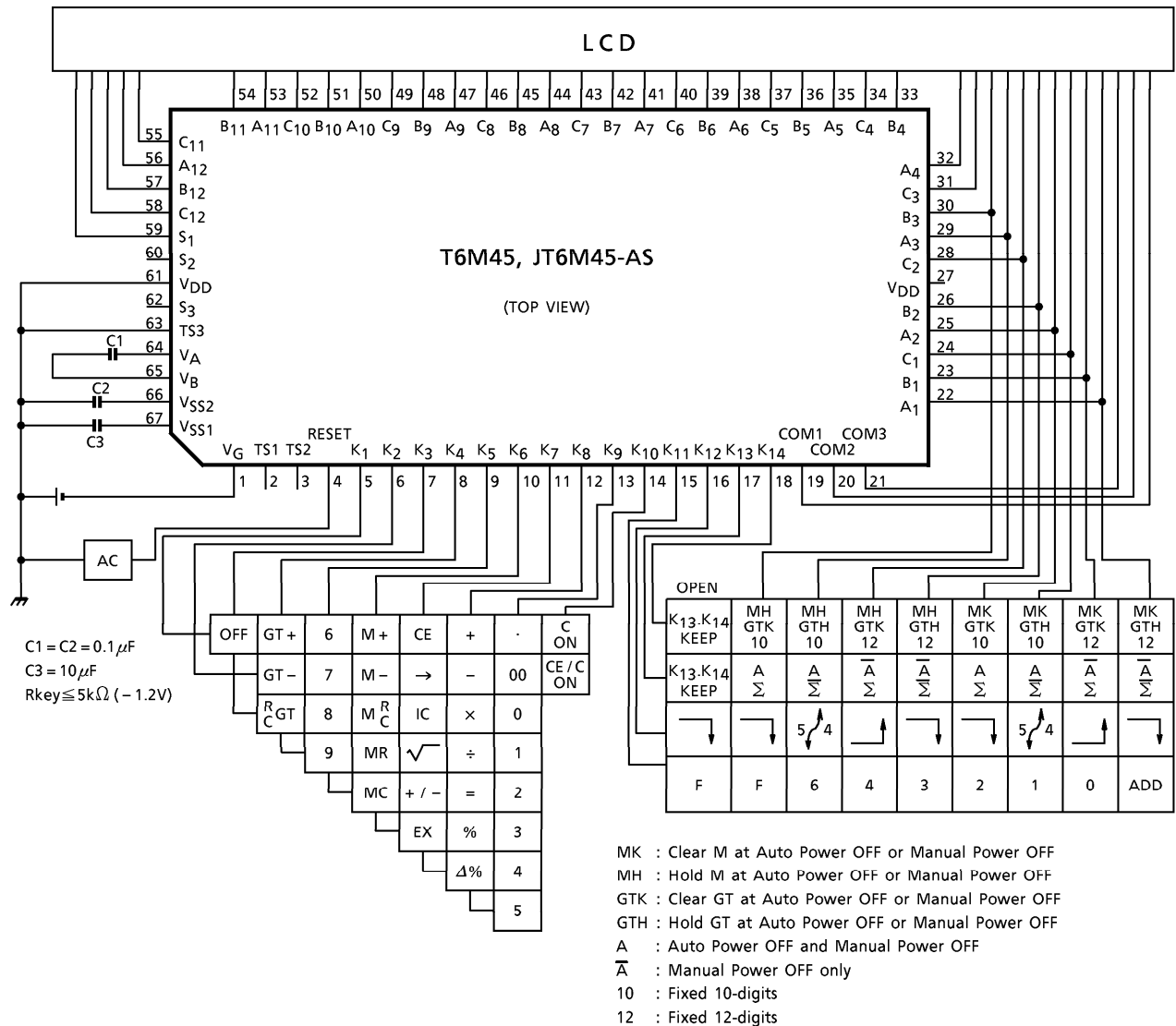
- Complementary output buffer for direct driving of liquid crystal display (F.E.M LCD) .
- Oscillator / clock generator internal to chip.
- Keyboard encoding internal to chip.
- Keyboard denouncing internal to chip.
- Automatic power on clear.
- Wide supply voltage range ( - 1.2~ - 2.0V) .
- Very low power consumption (3.3 $\mu$ W typ.) .
- Quad in line flat package.

980910EBA2'

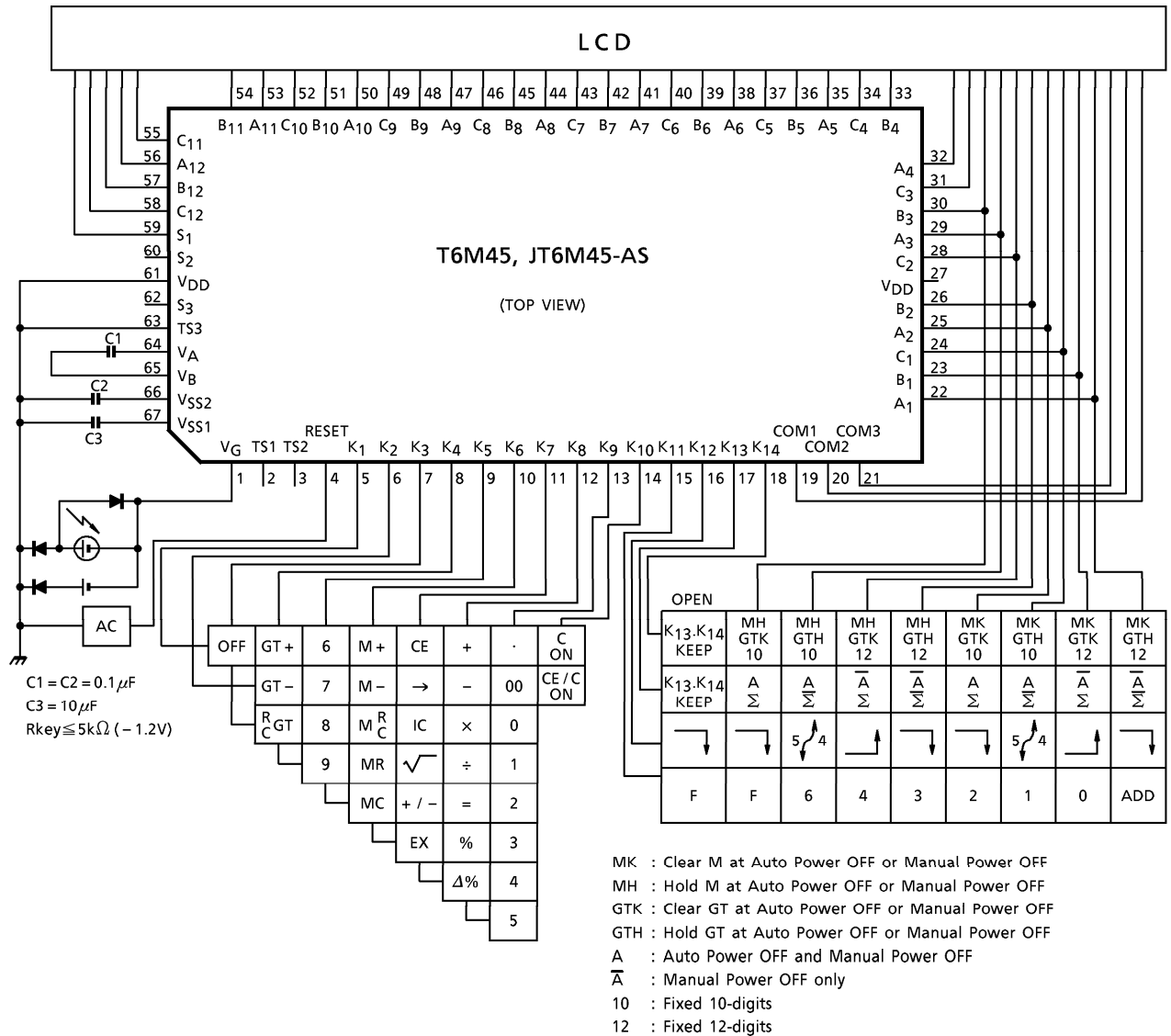
- The products described in this document are subject to the foreign exchange and foreign trade laws.
- The information contained herein is presented only as a guide for the applications of our products. No responsibility is assumed by TOSHIBA CORPORATION for any infringements of intellectual property or other rights of the third parties which may result from its use. No license is granted by implication or otherwise under any intellectual property or other rights of TOSHIBA CORPORATION or others.
- The information contained herein is subject to change without notice.

**SYSTEM BLOCK DIAGRAM**

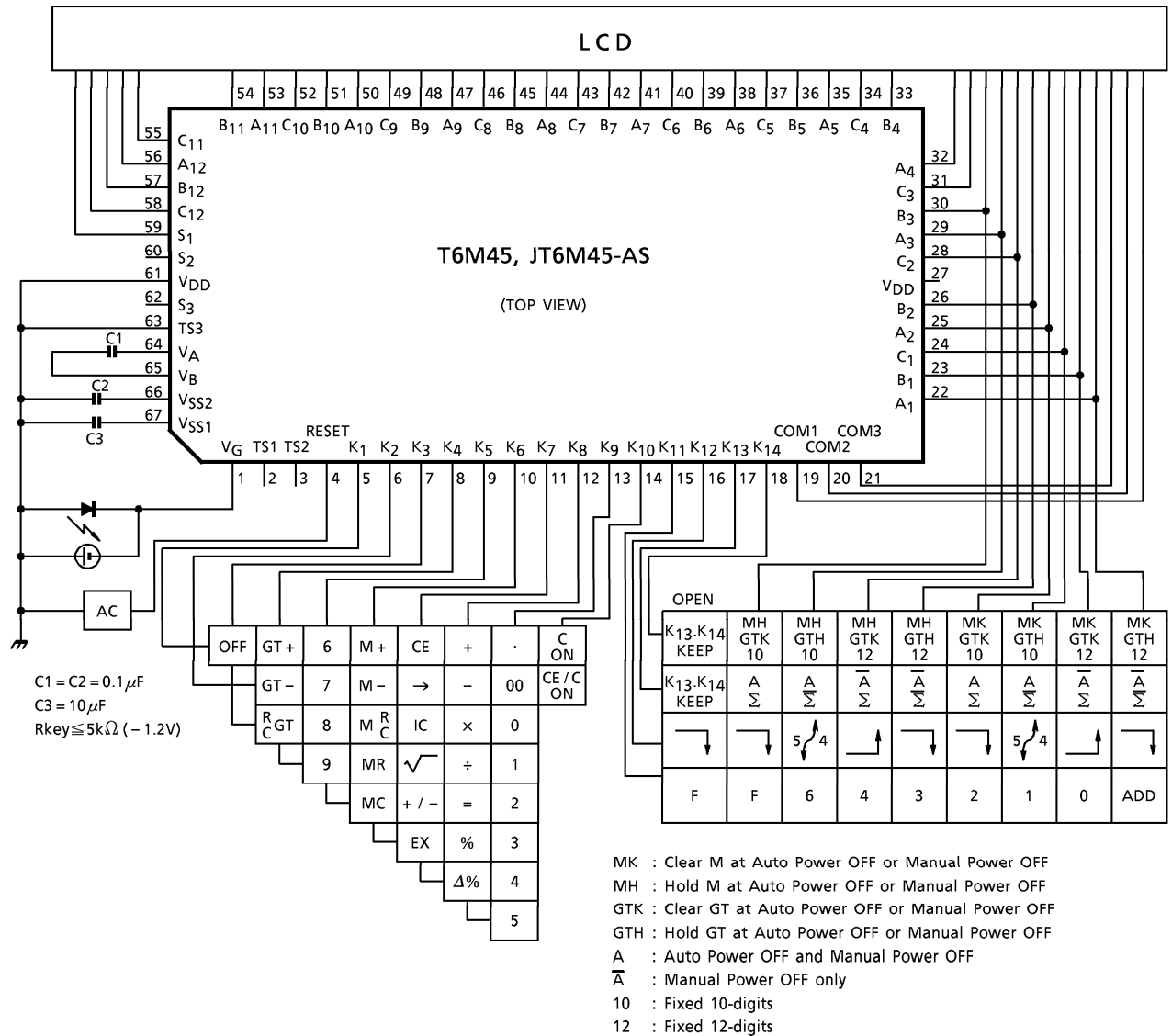
Battery Type



Dual Type



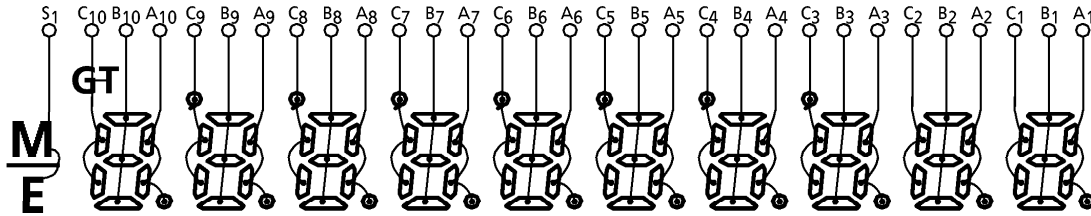
Solar Type



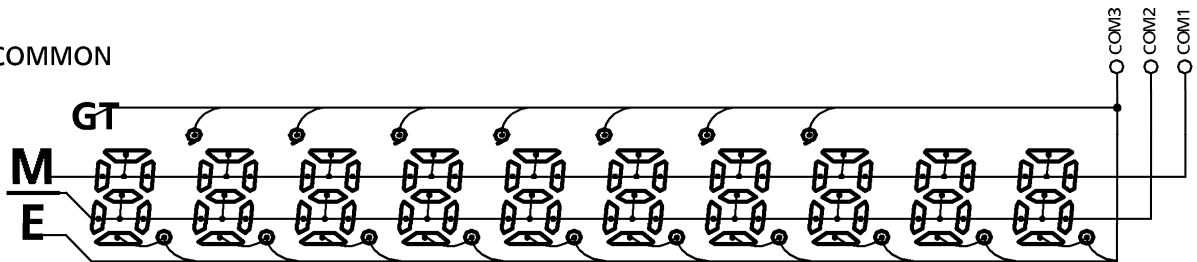
**CONNECTION OF LCD**

Select of 10-digits

SEGMENT

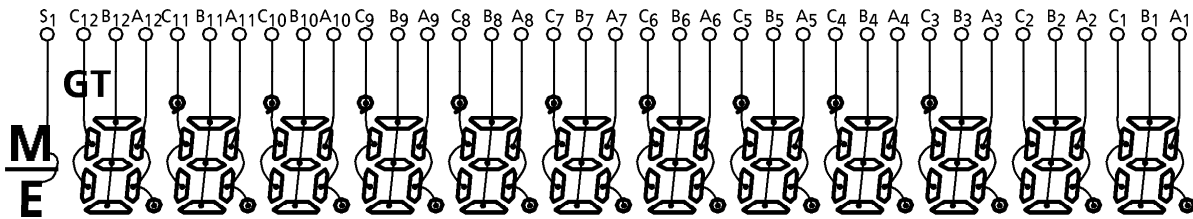


COMMON

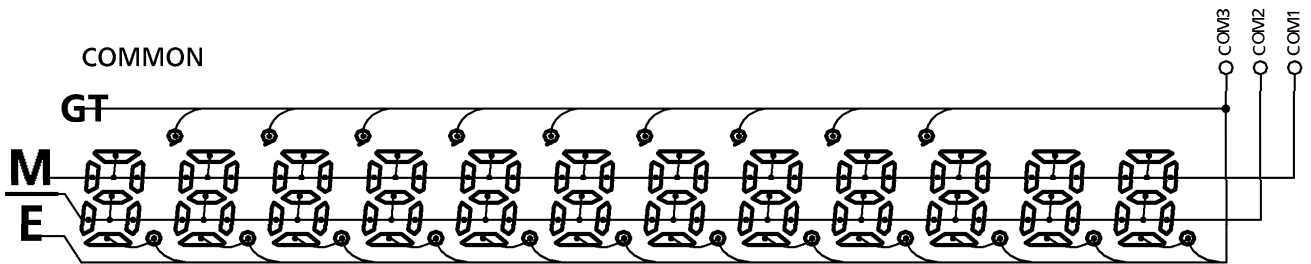


Select of 12-digits

SEGMENT

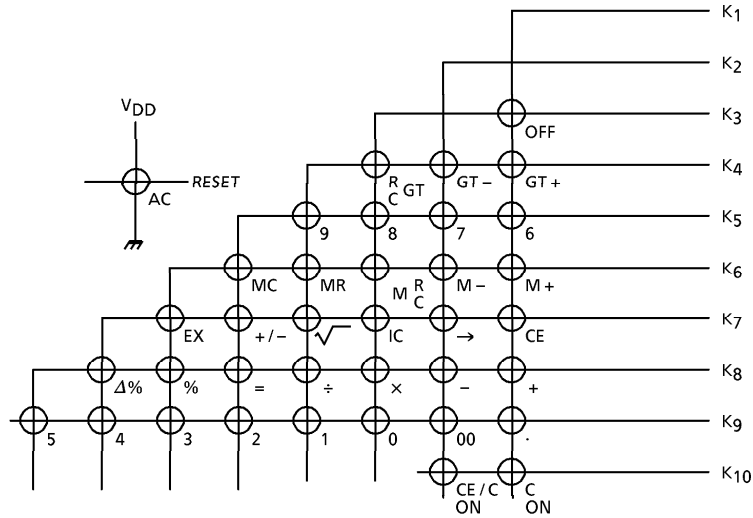


COMMON

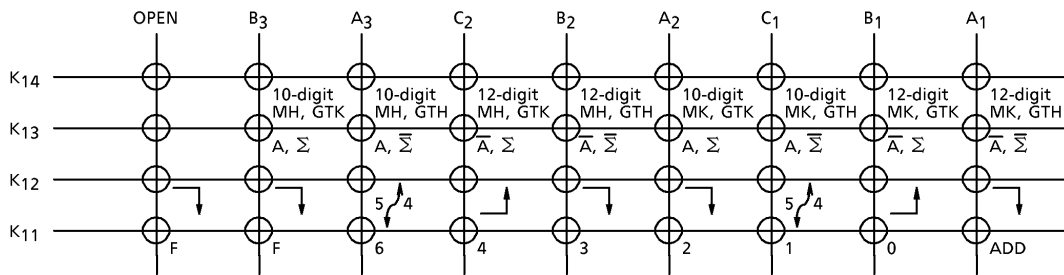


**KEY LAYOUT**

● Touch Key

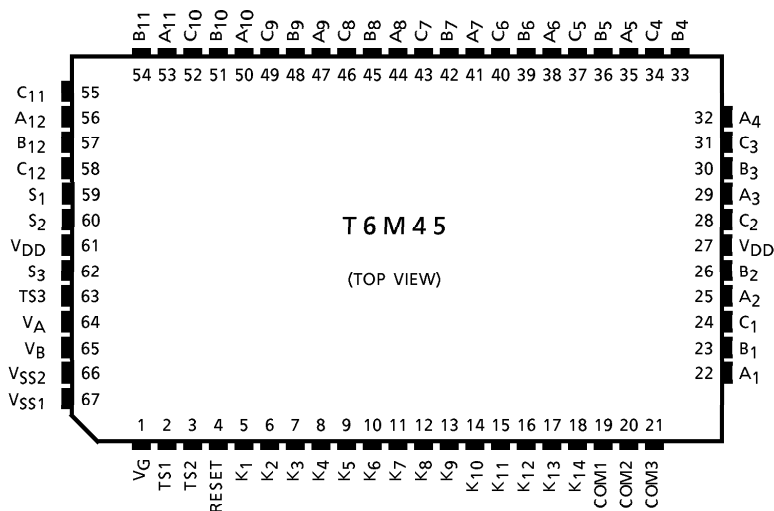


● Lock Key



- K14 ... Selectable with Calculated Digits and Memory Hold Status.  
MH (Memory Hold), MK (Memory Kill), GTH (GT memory Hold) and GTK (GT memory Kill) at Auto Power OFF or OFF Key.
- K13 ... Selectable with Auto Power OFF mode and Total switch.
- K12 ... Rounding switches.
- K11 ... Selectable with Fixed point or Floating mode.

**PIN LAYOUT**



**SPECIFICATION OF CALCULATOR**

Speed of Calculation (standard oscillating frequency  $f\phi = 48\text{kHz}$ )

Numeral	.....	11.8~17.7ms
Function	{ 1 $\boxed{+}$ .....	25.6ms
	{ 1 $\boxed{+}$ 2 $\boxed{+}$ .....	95.2ms
Addition and Subtract	{ 1 2 3 $\boxed{+}$ 1 $\boxed{=}$ .....	89.1ms
	{ 999999999 $\boxed{-}$ 0.00000001 $\boxed{=}$ .....	111.8ms
Multiply	{ 1 2 3 $\boxed{\times}$ 2 $\boxed{=}$ .....	109.6ms
	{ 1 $\boxed{\times}$ 999999999 $\boxed{=}$ .....	207.7ms
Device	{ 1 2 3 $\boxed{\div}$ 3 $\boxed{=}$ .....	147.9ms
	{ 999999999 $\boxed{\div}$ 1 $\boxed{=}$ .....	249.0ms
Memory calculation	{ 2 $\boxed{M+}$ .....	143.3ms
	{ 999999999 $\boxed{\div}$ 1 $\boxed{M+}$ .....	296.2ms
Square root	{ 999999999 $\boxed{\sqrt{\quad}}$ .....	167.7ms
	{ 2 $\boxed{\sqrt{\quad}}$ .....	125.0ms



Keys for Calculator

- 0 0, 0~9 : Number
- .
- +/- : Changer Sign
- + - × ÷ : Function
- = √ % Δ%
- M+ M- GT+ GT- : Memory
- MC MR M<sub>C</sub><sup>R</sup> R<sub>C</sub><sup>GT</sup>
- EX : Exchange
- : Shift
- IC : Item Counter
- CE CE/C (ON) C (ON) : Clear
- OFF : OFF
- AC : SYSTEM RESET

Operation Example

1. Fixed Point calculation

① Key	Display	Fixed Point Place	② Key	Display	Fixed Point Place
$\boxed{C}$	0.	DP = 3 (5 / 4)	$\boxed{C}$	0.	DP = 0 ( $\boxed{\uparrow}$ )
2	2.		1	1.	
$\boxed{\div}$	2.		$\boxed{\cdot}$	1.	
3	3.		2	1.2	
$\boxed{=}$	0.667		3	1.23	
2	2.		$\boxed{+}$	1.23	
$\boxed{\cdot}$	2.		1	1.	
3	2.3		$\boxed{\cdot}$	1.	
$\boxed{+}$	2.3		1	1.1	
4	4.		$\boxed{=}$	3.	
$\boxed{M+}$	6.300		9	9.	
1	1.		$\boxed{\sqrt{\quad}}$	3.	
$\boxed{\cdot}$	1.		$\boxed{\times}$	3.	
2	1.2		1	1.	
$\boxed{M+}$	1.200		$\boxed{\cdot}$	1.	
			1	1.1	DP = F
$\boxed{MR}$	7.5		$\boxed{=}$	3.3	

2. Adding Point mode calculation

Key	Display	Key	Display	Key	Display
$\boxed{C}$	0.	$\boxed{M+}$	0.02M	$\boxed{=}$	33.27M -
1	1.	3	3.M	2	2.M
23	123.	.	3.M	$\boxed{+}$	0.02M
$\boxed{+}$	1.23	123	3.123M	9	9.M
3	3.	$\boxed{M+}$	3.12M	$\boxed{\cdot}$	9.M
$\boxed{=}$	1.26	$\boxed{MR}$	3.14M	$\boxed{\sqrt{\quad}}$	3.M
3	3.	$\boxed{C}$	0.M	$\boxed{=}$	3.02M
2	32.	1	1.M		
$\boxed{\times}$	32.	23	123.M		
3	3.	$\boxed{-}$	1.23M		
$\boxed{\cdot}$	3.	3	3.M		
000	3.000	4	34.M		
$\boxed{=}$	96.00	$\boxed{\cdot}$	34.M		
2	2.	5	34.5M		

3. Constant Calculation

① Multiplication

Key	Display	Constant
k	k	
$\boxed{\times}$	k	
a	a	
$\boxed{=}$	k·a	k x
b	b	k x
$\boxed{=}$	k·b	k x

② Division

Key	Display	Constant
a	a	
$\boxed{\div}$	a	
k	k	
$\boxed{=}$	a / k	÷ k
b	b	÷ k
$\boxed{=}$	b / k	÷ k

③ Addition

a	a	
$\boxed{+}$	a	
k	k	
$\boxed{=}$	a + k	+ k
b	b	+ k
$\boxed{=}$	b + k	+ k

④ Subtraction

a	a	
$\boxed{-}$	a	
k	k	
$\boxed{=}$	a - k	- k
b	b	- k
$\boxed{=}$	b - k	- k

⑤ Percentage

k k  
 $\boxed{\times}$  k  
 a a  
 $\boxed{\%}$   $k \cdot a / 100$   $k \times$   
 b b  $k \times$   
 $\boxed{\%}$   $k \cdot b / 100$   $k \times$

⑦ Add-on

k k  
 $\boxed{+}$  k  
 a a  
 $\boxed{\%}$   $k \cdot (1 + a / 100)$   $k +$   
 b b  $k +$   
 $\boxed{\%}$   $k \cdot (1 + b / 100)$   $k +$

4.  $\Delta\%$  Calculation

① Key Display

a a  
 $\boxed{+}$  a  
 b b  
 $\boxed{\Delta\%}$   $100 \cdot (a + b) / b$

5. Mark-up, Mark-down Calculation

① Mark-up

Key Display  
 a a  
 $\boxed{\div}$  a  
 b b  
 $\boxed{\Delta\%}$   $a / (1 - b / 100)$   
 $\boxed{\Delta\%}$   $|a / (1 - b / 100) - a|$

⑥ Percentage

a a  
 $\boxed{\div}$  a  
 k k  
 $\boxed{\%}$   $100 \cdot a / k$   $+ k$   
 b b  $\div k$   
 $\boxed{\%}$   $100 \cdot b / k$   $\div k$

⑧ Discount

k k  
 $\boxed{-}$  k  
 a a  
 $\boxed{\%}$   $k \cdot (1 - a / 100)$   $k -$   
 b b  $k -$   
 $\boxed{\%}$   $k \cdot (1 - b / 100)$   $k -$

② Key Display

a a  
 $\boxed{-}$  a  
 b b  
 $\boxed{\Delta\%}$   $100 \cdot (a - b) / b$

② Mark-down

Key Display  
 a a  
 $\boxed{\div}$  a  
 b b  
 $\boxed{+/-}$  - b  
 $\boxed{\Delta\%}$   $a / (1 + b / 100)$   
 $\boxed{\Delta\%}$   $|a / (1 + b / 100) - a|$

6. Add-on, Discount Calculation

Add-on

	Key	Display
①	a	a
	$\times$	a
	b	b
	$\%$	$a \cdot b / 100$
	$+$	$a \cdot b / 100$
	$=$	$a(1 + b / 100)$
③	a	a
	$+$	a
	b	b
	$\%$	$a(1 + b / 100)$
⑤	a	a
	$\times$	a
	b	b
	$\Delta\%$	$a(1 + b / 100)$

Discount

	Key	Display
②	a	a
	$\times$	a
	b	b
	$\%$	$a \cdot b / 100$
	$-$	$a \cdot b / 100$
	$=$	$a(1 - b / 100)$
④	a	a
	$-$	a
	b	b
	$\%$	$a(1 - b / 100)$
⑥	a	a
	$\times$	a
	b	b
	$+/-$	-b
	$\Delta\%$	$a(1 - b / 100)$

7. Average Operation use of the Item Counter

Key	Display	Item Counter
A	A	0
$+$	A	1
B	B	1
$+$	A + B	2
C	C	2
$+$	A + B + C	3
D	D	3
$+$	A + B + C + D	4

Key	Display	Item Counter
$-$	A + B + C + D	2
D	D	2
$+$	A + B + C	3
E	E	3
$=$	A + B + C + E	4
$\div$	A + B + C + E	4
$ C$	4	4
$=$	$(A + B + C + E) / 4$	5

**MAXIMUM RATINGS**

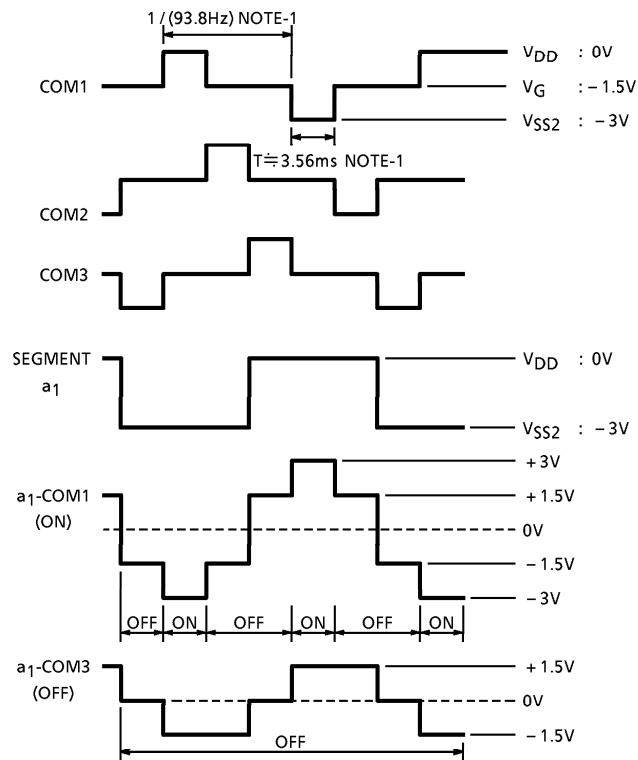
PARAMETER	SYMBOL	RATING	UNIT
Supply Voltage	$V_G$	+0.3 ~ -2.0	V
Input Voltage	$V_{IN}$	+0.3 ~ $V_G$ - 0.3	V
Operating Temperature	$T_{opr}$	0 ~ 40	°C
Storage Temperature	$T_{stg}$	-55 ~ 125	°C

**ELECTRICAL CHARACTERISTICS** ( $V_G = -1.5 \pm 0.2V$ ,  $V_{SS2} = -3.0 \pm 0.4V$ ,  $V_{DD} = 0V$ ,  $T_a = 25^\circ C$ )

PARAMETER	SYMBOL	TEST CIRCUIT	PIN NAME	TEST CONDITION	MIN.	TYP.	MAX.	UNIT
Operating Voltage	$V_G$	—	—	—	-1.2	-1.5	-2.0	V
"1" Input Voltage	$V_{IH}$ (1)	—	K3~K10 RESET	—	$V_G$ +0.4	—	$V_G$	V
"1" Input Voltage	$V_{IH}$ (2)	—	K11~K14	—	$V_{SS2}$ +0.4	—	$V_{SS2}$	V
"0" Input Voltage	$V_{IL}$	—	K3~K14 RESET	—	0	—	-0.4	V
"1" Output Voltage	$V_{OH}$ (1)	—	SEGMENT COM1~3	—	$V_{SS2}$ +0.2	—	$V_{SS2}$	V
"0" Output Voltage	$V_{OL}$ (1)	—	SEGMENT COM1~3	—	0	—	-0.2	V
"M" Output Voltage	$V_{OM}$	—	COM1~3	—	$V_G$ +0.2	—	$V_G$ -0.2	V
"1" Output Voltage	$V_{OH}$ (2)	—	K1~K10	—	$V_G$ +0.2	—	$V_G$	V
"0" Output Voltage	$V_{OL}$ (2)	—	K1~K14	—	0	—	-0.2	V
"1" Output Resistance	$R_{OH}$	—	SEGMENT COM1~3	$V_{OUT} = V_{SS2} + 0.5V$	—	—	70	k $\Omega$
"0" Output Resistance	$R_{OL}$	—	SEGMENT COM1~3	$V_{OUT} = -0.5V$	—	—	70	k $\Omega$
Key Pull Up Resistance	$R_{KEYH}$ (1)	—	RESET	$V_{OUT} = 0V$	156	—	364	k $\Omega$
	$R_{KEYH}$ (2)	—	K1~K10	$V_{OUT} = 0V$	240	—	560	
Key Read Pull Up Resistance	$R_{KEYH}$ (3)	—	K1~K10	$V_{OUT} = 0V$	30	—	600	k $\Omega$
Key Pull Down Resistance	$R_{KEYL}$ (1)	—	RESET K1~K10	$V_{OUT} = -0.5V$	—	—	10	k $\Omega$
	$R_{KEYL}$ (2)	—	K11~K14	$V_{OUT} = V_{SS2}$	120	—	800	
Oscillating Frequency	(WAIT)	$f_{\phi}WAIT$	—	$V_G = -1.5V$	5.4	9.0	12.6	kHz
	(OPERATE)	$f_{\phi}OP$	—	$V_G = -1.5V$	28.8	48	67.2	
Frame Frequency	$f_F$	—	SEGMENT COM1~3	$V_G = -1.5V$	56.3	93.8	131	Hz

CHARACTERISTIC		SYMBOL	TEST CIRCUIT	PIN NAME	TEST CONDITION	MIN.	TYP.	MAX.	UNIT
Supply Current	1 (WAIT)	I <sub>DDWAIT</sub>	—	—	V <sub>G</sub> = -1.5V	—	2.2	3.4	μA
	2 (OPERATE)	I <sub>DDOP</sub>	—	—	V <sub>G</sub> = -1.2V	—	7.0	11.0	
	3 (OFF)	I <sub>DDOFF</sub>	—	—	V <sub>G</sub> = -1.5V	—	—	2.0	
Power Off Timer Times		T	—	—	V <sub>G</sub> = -1.5V	429	600	1001	s

**WAVEFORMS FOR DISPLAY**



NOTE-1 at  $f\phi = 9\text{kHz}$

PAD LOCATION TABLE

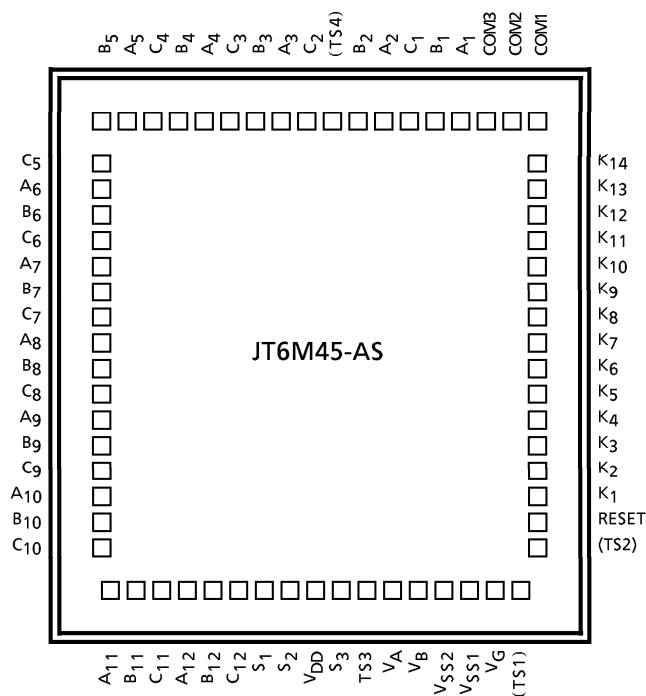
( $\mu\text{m}$ )

NAME	X POINT	Y POINT	NAME	X POINT	Y POINT
VSS1	971	- 1469	C4	- 999	1469
VSS2	775	- 1469	B4	- 847	1469
VB	609	- 1469	A4	- 696	1469
VA	424	- 1469	C3	- 544	1469
TS3	252	- 1469	B3	- 392	1469
S3	100	- 1469	A3	- 240	1469
VDD	- 52	- 1469	C2	- 89	1469
S2	- 203	- 1469	*(TS4)	89	1469
S1	- 355	- 1469	B2	241	1469
C12	- 507	- 1469	A2	392	1469
B12	- 659	- 1469	C1	544	1469
A12	- 810	- 1469	B1	696	1469
C11	- 980	- 1469	A1	847	1469
B11	- 1162	- 1469	COM3	999	1469
A11	- 1358	- 1469	COM2	1166	1469
C10	- 1408	- 1193	COM1	1358	1469
B10	- 1408	- 1042	K14	1408	1175
A10	- 1408	- 890	K13	1408	1023
C9	- 1408	- 738	K12	1408	871
B9	- 1408	- 586	K11	1408	720
A9	- 1408	- 435	K10	1408	503
C8	- 1408	- 283	K9	1408	352
B8	- 1408	- 131	K8	1408	200
A8	- 1408	20	K7	1408	48
C7	- 1408	172	K6	1408	- 104
B7	- 1408	324	K5	1408	- 255
A7	- 1408	475	K4	1408	- 407
C6	- 1408	627	K3	1408	- 559
B6	- 1408	779	K2	1408	- 710
A6	- 1408	936	K1	1408	- 862
C5	- 1408	1119	RESET	1408	- 1023
B5	- 1358	1469	*(TS2)	1408	- 1175
A5	- 1169	1469	*(TS1)	1367	- 1469
			VG	1160	- 1469

\*( ) Do not connect.

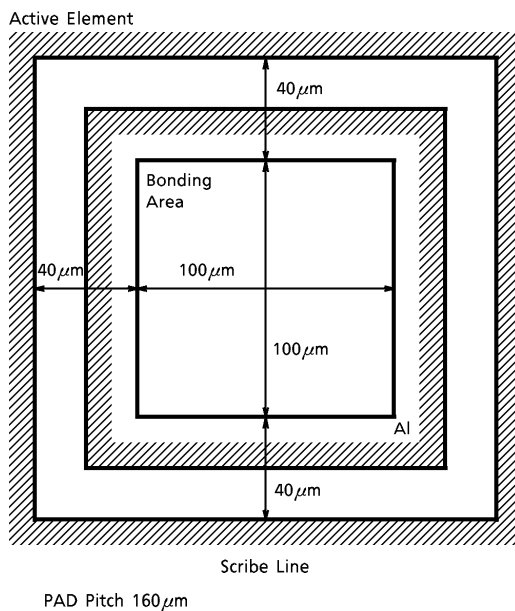


**CHIP LAYOUT**



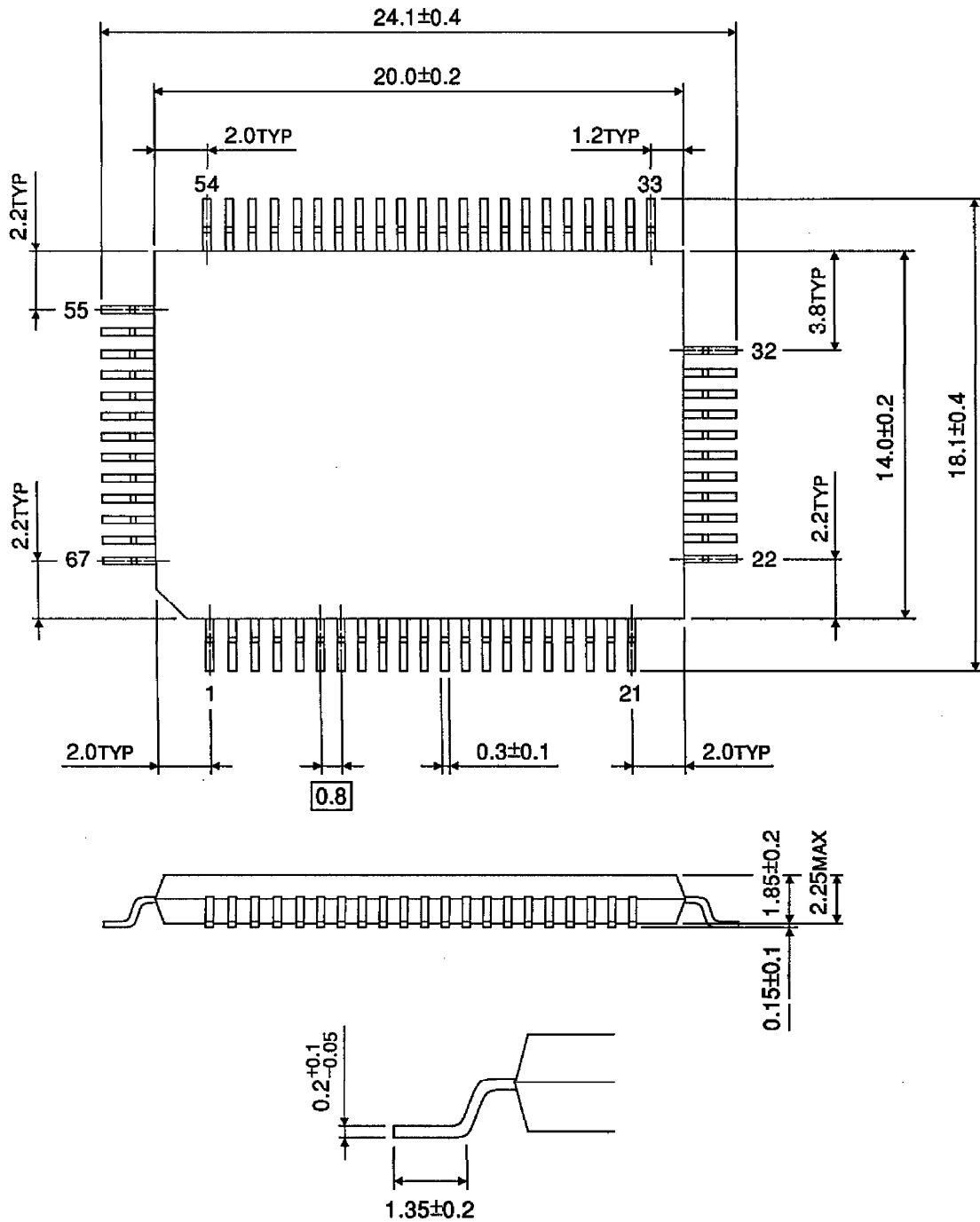
Chip size : 3.28 × 3.46 (mm)  
 Chip thickness : 440 ± 30 μm  
 Substrate : V<sub>DD</sub>

**PAD LAYOUT**



**OUTLINE DRAWING**  
QFP67-P-1420-0.80

Unit : mm



Weight : 1.20g (Typ.)

**GENERAL SPECIFICATION FOR CALCULATOR LSI BARE CHIP****1. Purpose**

This is to specify the quality standard for the integrated circuit produced by TOSHIBA CORPORATION (hereinafter referred as to VENDOR) to be delivered to PURCHASER.

**2. Definition**

This specification applies only to the calculator LSI bare chip produced by VENDOR and purchased by PURCHASER and defined the general specification items.

**3. Priority of specifications**

When the discrepancies or questions happen to the specifications and instructions provided by VENDOR, the priority shall be ranked as follows.

- 1) Individual specification for the calculator LSI bare chip.  
(Both PURCHASER and VENDOR are confirmed by the special sheets.)
- 2) General specifications for the calculator LSI bare chip.
- 3) Other related specifications and standards.

**4. Characteristics**

To be shown in the individual specification sheets.

The individual specification shall consist of the following 4 items in principle.

- 1) Rated specifications.
- 2) Electrical characteristics.
- 3) Pin configuration & mechanical dimensions.
- 4) Others.

**5. Inspection of product for delivery****5.1 Inspection lot**

- a) Inspection lot shall consist of products produced by same material under same design, through same production process, and same facilities and assured same quality by same quality assurance method, and lot number shall be put on all trays to be able to trace the lot history.
- b) The quantity of products per Inspection lot shall consist of all the same VENDOR's lot number.

## 5.2 Sampling plan

Statistical sampling and inspection shall be in accordance with MIL-STD-105D single sampling plans for normal inspections, general inspection level II.

The acceptable quality level (AQL) shall be specified in following table :

TEST ITEM	AQL (%)
Electrical	2.5
Visual	4.0

## 5.3 Electrical criteria

Criteria of Electrical Characteristics are prescribed in Attachment-1.

## 5.4 Visual criteria

Visual Criteria are prescribed in Attachment-2.

## 6. Incoming inspection

### 6.1 General

- a) PURCHASER's incoming inspection should be done within 15 days after PURCHASER receives the quantity of products in principle.
- b) PURCHASER shall report the results of incoming inspection to VENDOR and provide VENDOR with detailed data in failure rate and items regarding VENDOR's lot number respectively, if VENDOR demands the report from PURCHASER.

### 6.2 Inspection procedure

PURCHASER should do his incoming inspection according to the following procedure.

- a) First : Visual inspection should be done.
- b) Next : Electrical and other inspection should be done under condition with bare chip before going into PURCHASER's process.

## 7. Treatment for defective lot and products

Regarding the defective lot and defective products which are found through PURCHASER's incoming inspection, PURCHASER can be returned to VENDOR with detailed description on failures concerned.

However, if VENDOR cannot receive the defective items within 30 days after PURCHASER's incoming inspection, VENDOR should be able to make no reference to the defective problem.

**8. Packing and labeling**

- a) Dice shall be placed in die tray with the top metalization facing up in order.
- b) In principle, a pile consists of 5 trays and several piles are packed in a package. These piles and packages are indicated with printed labels as shown below.

Date	
Name	
Lot No.	
Net	
<b>TOSHIBA</b> MADE IN JAPAN	

- c) PURCHASER shall return these packing materials to VENDOR on VENDOR's demand.

**9. Storage criteria**

Solid state chips, unlike packaged devices, are non-hermetic devices normally fragile and small in physical size, and therefore, require special handling considerations as follows :

- 9.1 Chips must be stored under proper conditions to insure that they are not subjected to a moist and/or contaminated atmosphere that alter their electrical, physical, or mechanical characteristics.  
After the shipping container is opened, the chips must be stored under the following conditions :
  - A. Storage temperature, 40°C max.
  - B. Relative humidity, 50% max.
  - C. Clean, dust-free environment.
- 9.2 The user must exercise proper care when handling chips or wafers to prevent even the slightest physical damage to the chip.
- 9.3 During mounting and lead bounding of chips the user must use proper assembly techniques to obtain proper electrical, thermal, and mechanical performance.
- 9.4 After the chip has been mounted and bounded, any necessary procedure must be followed by the user to insure that these non-hermetic chips are not subjected to moist or contaminated atmosphere which might cause the development of electrical conductive paths across the relatively small insulating surfaces.  
In addition, proper consideration must be given to the protection of these devices from other harmful environments which could conceivably adversely affect their proper performance.

## 10. Handling criteria

The user should find the following suggested precautions helpful in handling chips.

In any event, because of the extremely small size and fragile nature of chips, care should be taken in handling these devices.

### 10.1 Grounding

- a) Bonders, pellet pickup tools, table tops, trim and form tools, sealing equipment, and other equipment used in chip handling should be properly grounded.
- b) Operator should be properly grounded.

### 10.2 In-process handling

- a) Assemblies or subassemblies of chips should be transported and stored in conductive carriers.
- b) All external leads of the assemblies or subassemblies should be shorted together.

## **VISUAL INSPECTION CRITERIA**

1. Visual inspection magnification shall be 40 × in principle.

2. Defects defined :

### 2.1 Thickness

See the technical data sheets.

### 2.2 Chip and crack

A die shall be rejected if :

- a) Any crack of chip extends greater than 35 $\mu$ m in length into the inside of the scribble line. (see Fig.1)

### 2.3 Metallization

A die shall be rejected if :

- a) More than 25% of the designed area of the metallization is missing at any bonding pad.
- b) There is a short or break which affects electrical characteristics in any lead pattern. (see Fig.2)

### 2.4 Glass protection coat

A die shall be rejected if :

- a) It exhibits glass protection coat which covers more than 25% of any active bonding pad.

2.5 Attached foreign material

A die shall be rejected if :

- a) A die is covered by stains or attached foreign material which size is more than 5 times as large as a bonding pad area.
- b) It exhibits residual ink, stains or attached foreign material which covers more than 20% of any active bonding pad. (see Fig.3)

2.6 Others

A die shall be rejected if :

- a) There have no evident probed impression on the bonding pads.
- b) A inked die, defective die, is intermized.

3. Limit samples should be fized, if necessary.

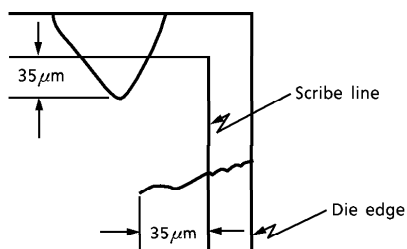


Fig.1

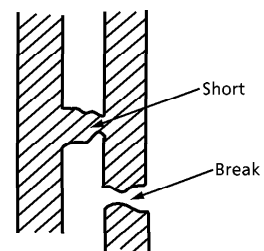


Fig.2 Lead pattern

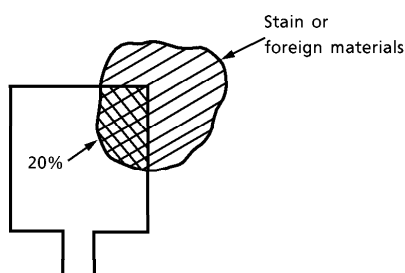
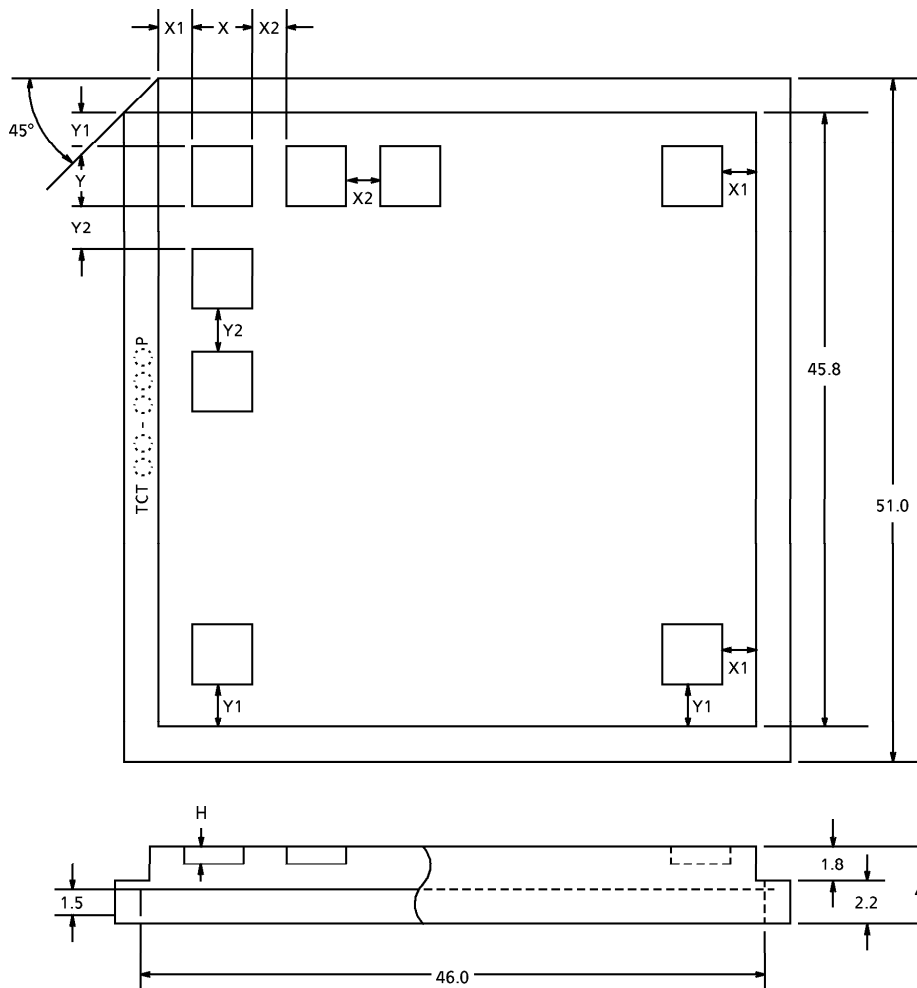


Fig.3

**OUTSIDE DIMENSIONS OF CHIP TRAY**



Unit : mm

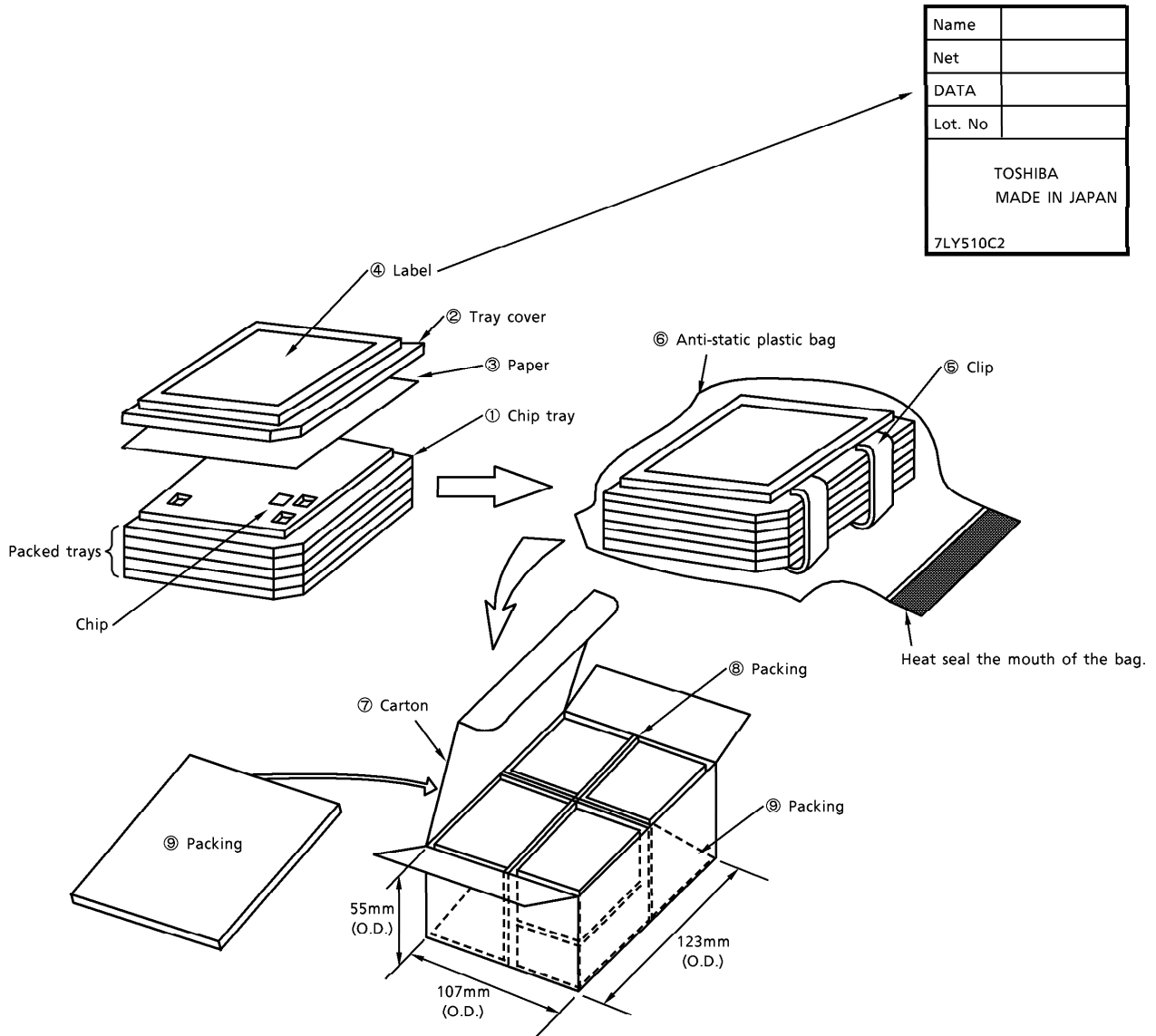
CHIP NAME	TRAY NAME	X	Y	(H)	No. OF POCKETS	X1	X2	Y1	Y2
JT6M45-AS	TCT38-060P	3.80	3.80	0.60	10 × 10 (100)	1.200	0.600	1.200	0.600

Tray material :

Carbon-containing polypropylene



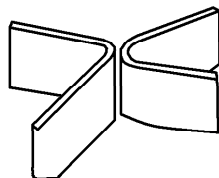
**PACKING METHOD-1**

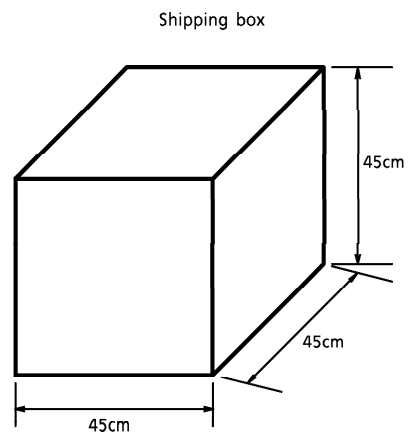


Name	
Net	
DATA	
Lot. No	
TOSHIBA MADE IN JAPAN	
7LY510C2	

Place eight bags of chip trays in each carton box ⑦. Lay one sheet of packing ⑧ (7UF44F) before closing the lid of the cart box. (See the diagram above.)

Prepare packing ⑧ by cutting 7UF44F into halves and folding each in half as shown below ; use them as inner partitions.



**PACKING METHOD-2**

- Inner box : Containing 20 boxes
- Weight : Approx. 15kg (including packing material)
- Material : Corrugated cardboard
- IC contents :  $36 \times 5 \times 8 \times 20 = 28.8\text{kpcs}$ .