

▶ Product Introduction

Introduction (JTC)

Features :

- Converters
- High sensitivity and stability.
- Small in size and light weight.
- Realize no-adjustment in detection circuit.
- Wide range of standard products are available for various ICs.

Characteristics :

- Center Frequency: 455±2 (kHz).
- Storage temperature range: -40°C to +85°C.
- Operating temperature range: -20°C to +80°C.
- Dimensions: (6.5 max × 6.0 × 2.8 max) Unit: mm.
- Available IC: TA31136, TA31142, TA31143, NE605, MC3361, CXA3117N.

Chip ceramic discriminator (JTC) for communication is compatible Murata CDBC. Token Chip Ceramic Discriminator (JTC) series is a central player in providing small low-cost low-power semiconductors to aid the deployment of communication products. The incorporation of piezoelectric technology allows the product's function and feature set to be easily configured via surface mount installation.

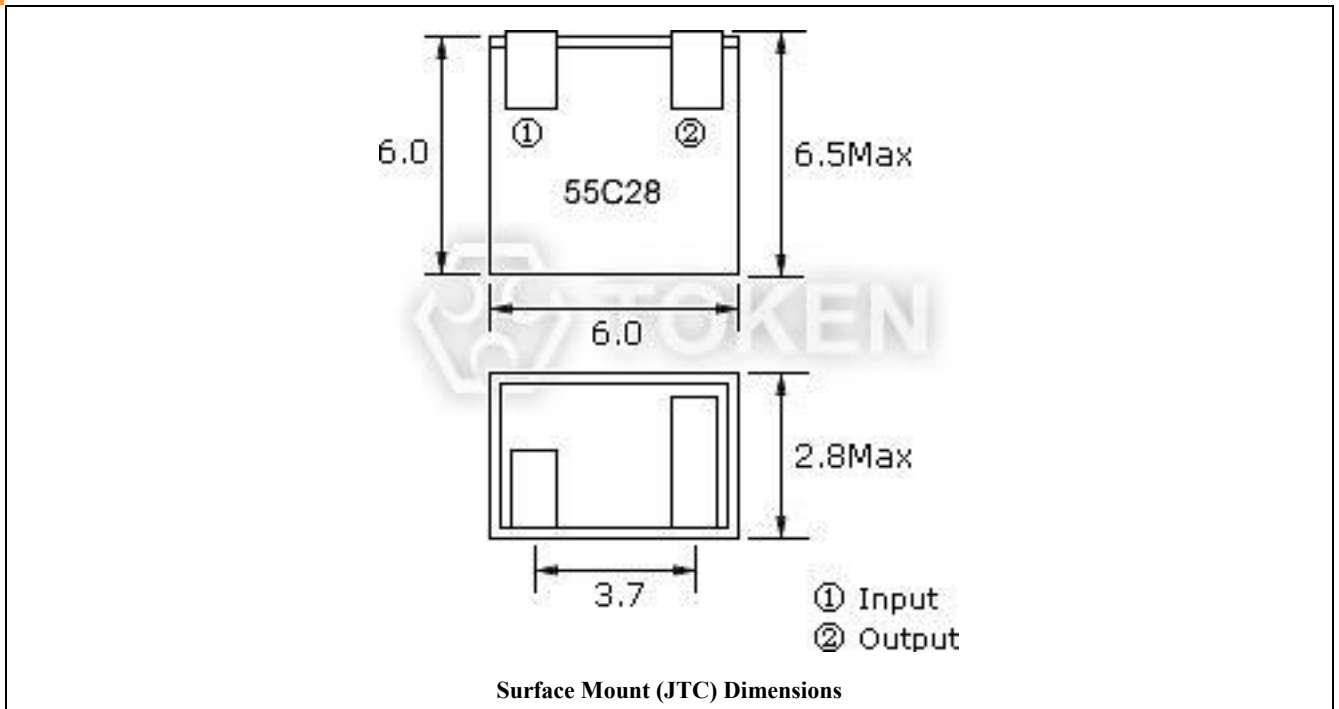
(JTC) consists of wide band piezoelectric resonator. It is ideal for mobile communication equipment due to its small size and light weight. Standard line includes products for wide range of application, from cordless telecom to cellular telephone, making non-adjustment and shrinking of the detection circuit possible.

Contact us with your specific needs. For more information, please link to Token official website "[Ceramic Discriminator](#)".



Dimensions

Dimensions (Unit: mm) (JTC)



Technical Characteristics

Technical Characteristics (JTC)

Part Number	Center Frequency (fo)(kHz)	Recovered Audio 3dB BW (kHz)min	Recovered Audio Output (mV)min	Distortion Factor (At fo) (%)max	Applicable IC
JTC455C24	455±2	±4.0	100±40	2.0	TA31136
JTC455C28	455±2	±4.0	40±20	3.0	TA31142
JTC455C29	455±2	±4.0	125±30	2.5	NE605
JTC455C32	455±2	±4.0	40±20	3.0	TA31143
JTC455C49	455±2	±4.0	45±20	3.0	MC3361
JTC455C50	455±2	±4.0	65±20	4.0	CXA3117N

Order Codes

Order Codes (JTC)

JTC455C24	TR
Part Number	Package (TR: Taping Reel)

▶ General Information

| Advantage of Token Piezoelectric Ceramics

Token Electronics had been able to develop specialized piezo materials which when combined with an advance design have resulted in a complete line of practical, inexpensive piezo devices for entertainment and communications applications.

Token reliably deliver high-quality components according to the each customer special needs with respect to performance, costs, and technology modifications.

For marketing discontinuations or sourcing activities concerning Piezoelectric **Discriminator** products, you are encouraged to contact our Sales Department so the request can be properly directed within Token.