

The JUPITER circuit is designed for use in dual band and dual mode mobile phones (CDMA/AMPS) and meets the requirements for IS-95 when used with other chips from Mitel that form the Planet chipset. JUPITER is an active filter incorporating circuits for receiving both CDMA and FM (AMPS).

### FEATURES

- Low Power and Low Voltage Operation with a Sleep Mode
- Integrated CDMA and FM Filter with Wide Dynamic Range
- Low Inband Gain Ripple Performance and Good I/Q Matching for the Filter

### ABSOLUTE MAXIMUM RATINGS

Supply voltage, $V_{CC\ MAX}$	-0.7V to +5.3V
Operating temperature, $T_{OP}$ (at pins)	-30°C to +70°C
Storage temperature, $T_{STG}$ (ambient)	-40°C to +150°C
Junction temperature	-30°C to +125°C
CMOS input logic high, $V_{IH}$	$V_{CC} + 0.6V$ (Max.)
CMOS input logic low, $V_{IL}$	-0.6V (Min.)
Maximum input voltage at all pins	-0.6V to $V_{CC\ MAX} + 0.6V$

### ORDERING INFORMATION

JUPITER-1/KG/NP1S

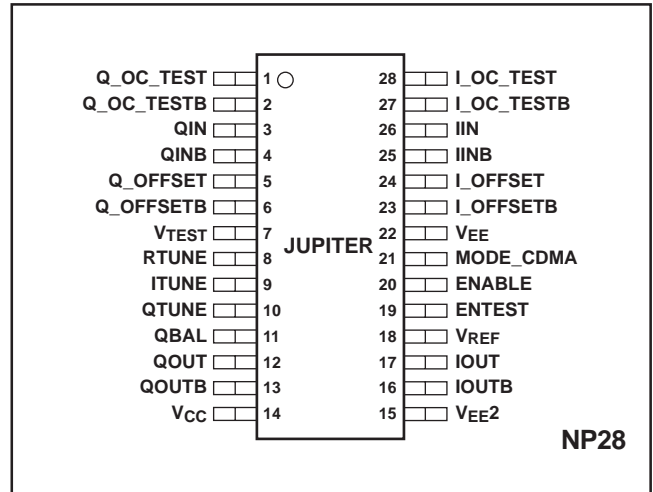


Fig. 1 Pin connections - top view

### ESD PROTECTION

All pins are protected against electrostatic discharge to both supplies. At least 2kV protection is provided to MIL-STD-883D Method 3015.7 (human body model).

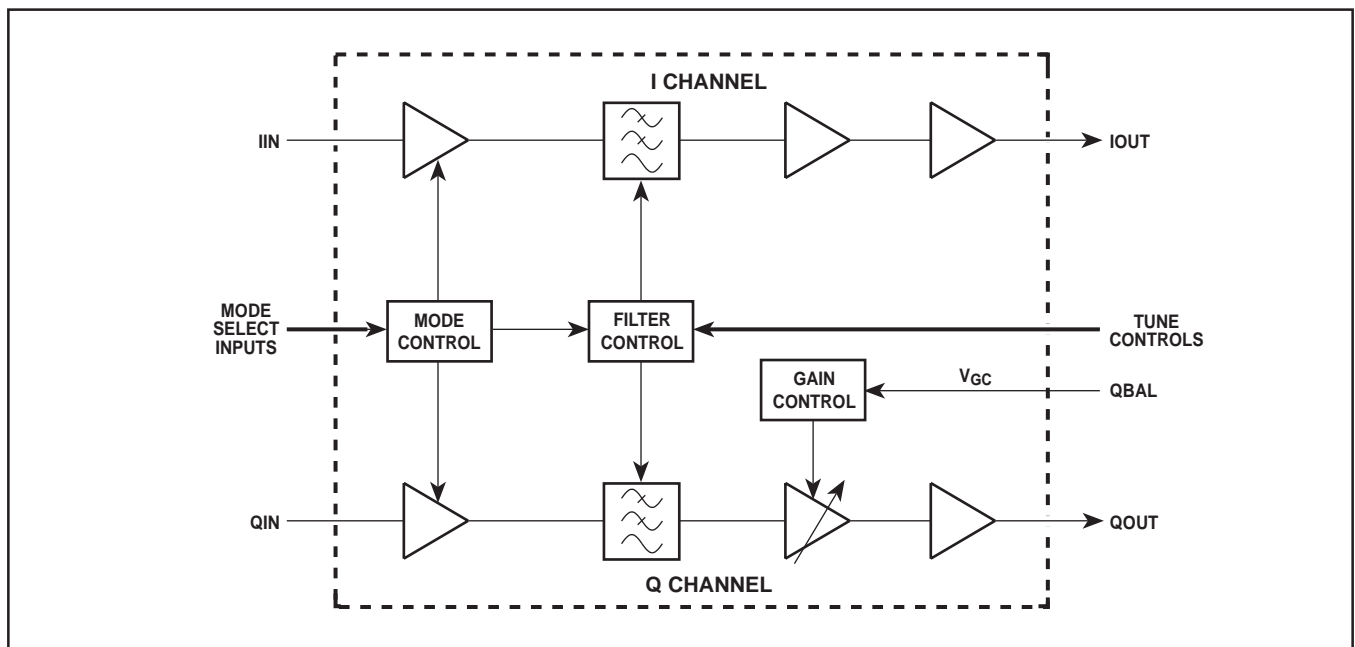


Fig. 2 Simplified block diagram

# JUPITER

## CIRCUIT DESCRIPTION

The block diagram of the JUPITER filter is shown in Fig. 3. Two tunable active low-pass gyrator filters are designed with balanced I/Q inputs and outputs.

### CDMA MODE

In CDMA mode the filter (F1 on Fig. 3) is a 7th order 0.1dB ripple continuously tunable elliptic type with the corner frequency tuned to 690kHz for best stop band attenuation and minimal phase error (in the overall system). Variable gain stages after the filter provide the gain control capability. Overall, each of the CDMA I/Q channels has 45dB nominal voltage gain with the Q channel having  $\pm 2$ dB gain adjustment range. Separate I/Q frequency tuning functions are built into the device.

### FM MODE

In FM mode the same filter is used; however, the biasing is designed such that the current density in the transconductor cells is reduced by a factor of 46, changing the filter's cutoff frequency to 15kHz. The filter characteristic of the main channel filter (gyrator filter) remains the same, i.e. a 0.1dB 7th order elliptic. In FM mode additional 2nd order Sallen and Key 0.1dB ripple Chebyshev filters (F2) are included in the signal path prior to the gyrators. These improve the out-of-band blocking of the overall filter. Different amplifiers are used in FM mode to those used in CDMA mode to enable optimization of the gain distribution in FM mode for current consumption and dynamic range.

## OPERATION

Signal inputs are DC coupled in both CDMA and FM modes. The device modes are selected by CMOS compatible logic signals as shown in Table 2. An external resistor should be connected between RTUNE and ground to set internal currents; a resistor with a tolerance of  $\pm 5\%$  and a temperature coefficient of less than 100ppm is recommended.  $V_{REF}$  (pin 18) should be decoupled to  $V_{CC}$  to give optimum supply rejection.

A test mode is provided for filter calibration. In this mode, a test signal is applied to the  $V_{TEST}$  input (pin 7) with ENTEST held high. The test mode is designed to interface with the PLUTO baseband processor, which can provide the test signal and I/QTUNE voltages and calibrates the filters using an internal auto calibration algorithm. The algorithm generates two test frequencies and calibrates the filters to give the correct attenuation at the upper frequency. The calibration is normally carried out in CDMA mode: the FM filter performance is scaled accordingly.

Pins are provided for DC offset control for I and Q channels ( $I\_OFFSET$ ,  $I\_OFFSETB$ ,  $Q\_OFFSET$  and  $Q\_OFFSETB$ ). In typical operation, the  $I\_OFFSET/Q\_OFFSET$  pins would be controlled by a voltage derived from the baseband processor. However, it is also possible to minimise the DC offset using external components; this is primarily intended for test purposes. These feedback components between IOUT/QOUT and  $I\_OFFSET/Q\_OFFSET$  are shown in Fig. 4 but would not be used in the normal application

In test mode, these offset controls are disabled and the offsets are controlled using on-chip feedback. The loop filter for this feedback uses external 10nF capacitors on pins  $I\_OC\_TEST/B$  and  $Q\_OC\_TEST/B$  as shown in Fig. 4.

Pin	Name	I/O	Description
1	Q_OC_TEST	I	Q channel offset control in test mode
2	Q_OC_TESTB	I	Q channel offset control in test mode (balanced)
3	QIN	I	Q channel CDMA/FM input.
4	QINB	I	Q channel CDMA/FM input (balanced)
5	Q_OFFSET	I	Q channel offset control
6	Q_OFFSETB	I	Q channel offset control (high gain mode)
7	$V_{TEST}$	I	Test mode signal input for tuning operation
8	RTUNE		Precision resistor for current definition (18k)
9	ITUNE	I	I filter tuning control
10	QTUNE	I	Q filter tuning control
11	QBAL	I	Q channel gain adjust voltage, VGC
12	QOUT	O	Q channel CDMA/FM output
13	QOUTB	O	Q channel CDMA/FM output (balanced)
14	$V_{CC}$	P	Supply
15	$V_{EE2}$	P	Ground
16	IOUTB	O	I channel CDMA (balanced)
17	IOUT	O	I channel CDMA
18	$V_{REF}$		Reference voltage decouple
19	ENTEST	I	Mode control (see Table 2)
20	ENABLE	I	Mode control (see Table 2)
21	MODE_CDMA	I	Mode control (see Table 2)
22	$V_{EE}$	P	Ground (substrate)
23	$I\_OFFSETB$	I	I channel offset control (high gain mode)
24	$I\_OFFSET$	I	I channel offset control
25	IINB	I	I channel CDMA (balanced)
26	IIN	I	I channel CDMA
27	$I\_OC\_TESTB$	I	I channel offset control in test mode (balanced)
28	$I\_OC\_TEST$	I	I channel offset control in test mode

Table 1 Pin descriptions

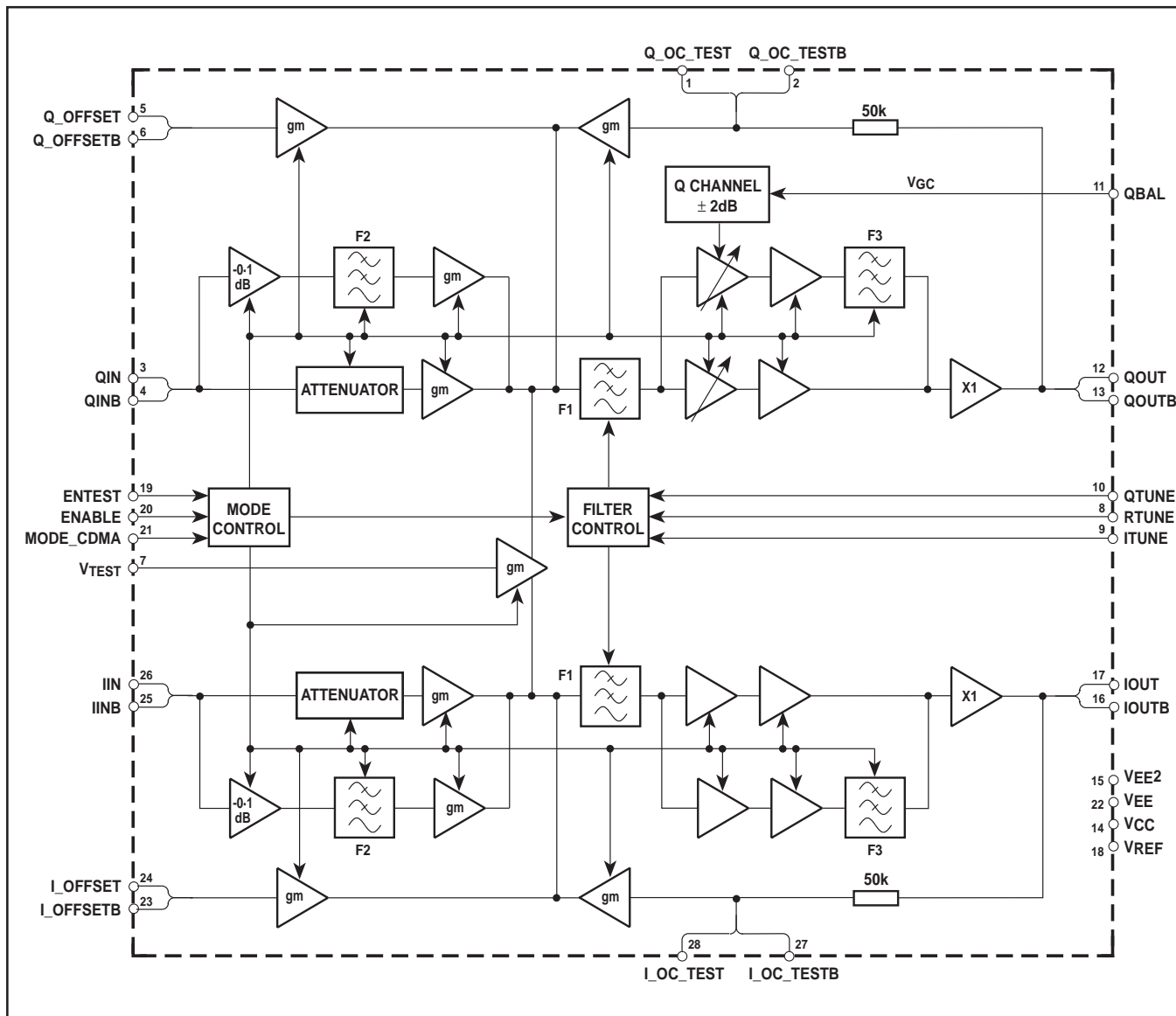


Fig. 3 Block diagram

Description	ENABLE	MODE_CDMA	ENTEST	Comments
Sleep mode	0	X	1	All circuits powered down
CDMA mode	1	1	0	Biasing and CDMA signal path on
FM mode	1	0	0	Biasing and FM signal path on
CDMA filter testmode	1	1	1	Biasing, CDMA test and CDMA signal path on, excluding input amplifier
FM filter test mode	1	0	1	Biasing, FM test and FM signal path on, excluding input amplifier.
Disallowed mode	0	X	0	This is functionally the same as sleep mode but has higher I <sub>CC</sub> . In sleep mode PLUTO applies a logic high to ENTEST

Table 2 Truth table for mode control lines

# JUPITER

## ELECTRICAL CHARACTERISTICS

The Electrical Characteristics are guaranteed over the following range of operating conditions unless otherwise stated (see Fig. 4 for test circuit):

$$T_{AMB} = -30^{\circ}\text{C to } +70^{\circ}\text{C}, V_{CC} = 3\text{V } +0.6\text{V}/-0.3\text{V}$$

### DC Characteristics

Characteristic	Value			Units	Conditions
	Min.	Typ.	Max.		
<b>General</b> Supply voltage, $V_{CC}$ Operating temperature, $T_{AMB}$	2.7 -30	3.0	3.6 +70	V °C	
<b>Supply Current, <math>I_{CC}</math></b> Sleep mode FM mode CDMA mode Turn off time, CDMA/FM mode to Sleep mode		3.4 7.3 100	0.15 5.2 11.0	mA mA mA $\mu\text{s}$	QBAL = ITUNE = QTUNE <0.5V QBAL = ITUNE = QTUNE = 1.2V QBAL = ITUNE = QTUNE = 1.2V $I_{CC}$ reduced to 10% of active value
<b>Mode Control Lines (CMOS)</b> Input logic high, $V_{IH}$ Input logic low, $V_{IL}$ Input high current, $I_{IH}$ Input low current, $I_{IL}$	2.0 -0.1 -20 -20		$V_{CC}+0.1$ 0.5 20 20	V V $\mu\text{A}$ $\mu\text{A}$	} All logic inputs
<b>Tune/Gain Control Lines</b> DC level Input impedances: QBAL, ITUNE and QTUNE I_OFFSET/B and Q_OFFSET/B	0.5	200 500	2.0	V k $\Omega$ k $\Omega$	Referenced to on-chip ref. voltage (1.2V)
<b>I/O DC Voltages</b> Inputs IIN/B and QIN/B Outputs IOUT/B and QOUT/B	$V_{CC}-0.6$ $V_{CC}-1.6$	$V_{CC}-0.4$ $V_{CC}-1.4$	$V_{CC}-0.2$ $V_{CC}-1.2$	V V	

**ELECTRICAL CHARACTERISTICS**

**FM Mode AC Characteristics**

All parameters are defined as differential unless otherwise stated

Characteristic	Value			Units	Conditions
	Min.	Typ.	Max.		
Maximum input frequency			10	MHz	
<b>Gain Characteristics</b> I voltage gain ( $A_V$ ) IIN/B to IOU/B Q voltage gain QIN/B to QOUT/B Q channel gain adjust Q channel gain control Gain variation over temperature and supply voltage Differential output amplitude balance, QOUT/QOUTB, IOU/IOU/B	39 $A_V - 1.5$ $\pm 2$ -0.75	41  4.0	43 $A_V + 1.5$  8.0  $\pm 0.25$	dB dB dB/V dB dB	External load = 50k $\Omega$ /5pF QBAL = 1.2V QBAL = 0.5 to 2V $V_{CC} = \pm 150mV$
<b>Power Supply Rejection</b> In-band Out of band		10 0		dB dB	Measured at I/Q output frequency = 10kHz Measured at I/Q output frequency = 630kHz
<b>Noise</b> Input referred		30	45	$\mu V_{rms}$	Bandwidth = 10Hz to 5MHz. I and Q channels
<b>1dB Compression</b> Output 1dB compression Out of band blocking signal causing 1dB compression of in-band signal Blocking signal at 60kHz  Blocking signal at 120kHz	1.5  266  266	1.9  380  380		Vp-p  mVrms mVrms mVrms	Frequency = 2kHz  In-band frequency = 2kHz. All conditions 27°C only In-band frequency = 2kHz. All conditions 27°C only
<b>Intermodulation</b> Input referred intermodulation product		-101 8.8		dBV $\mu V_{rms}$	Unmodulated interferers 60kHz 75mVrms, 120kHz 7.5mVrms
<b>Filter Characteristic (Note 1)</b> 3dB pass band Stop band attenuation 45kHz Stop band attenuation 60kHz to 10MHz I and Q bandwidth matching In-band gain ripple Group delay variation Average phase balance, I and Q channels	14.5 48 60	16.5 63 70	19.5  5 1.0 10	kHz dB dB % dBp-p $\mu s$ deg	ITUNE = QTUNE = 1.2V } Frequency = 100Hz to 12.2kHz
<b>Offset Loop Correction</b> Filter offset adjustment gain: I_OFFSET/Q_OFFSET I_OFFSET B/Q_OFFSETB Amplifier offset settling time: After power on After CDMA to FM cycling	0.6	1.0 10 4.0	1.4  4.0	V/V V/V ms ms	Settling to within 5mV Settling to within 5mV
<b>Input Impedances</b> QIN/QINB and IN/INB	8.0	10	12	k $\Omega$	Frequency = 2kHz
<b>Output Impedances</b> QOUT/QOUTB and IOU/IOU/B		1.0		k $\Omega$	Frequency = 2kHz

NOTE 1. Filter tuned in CDMA mode to -8dB at 720kHz

# JUPITER

## ELECTRICAL CHARACTERISTICS

### CDMA Mode AC Characteristics

All parameters are defined as differential unless otherwise stated

Characteristic	Value			Units	Conditions
	Min.	Typ.	Max.		
Maximum input frequency			10	MHz	
<b>Gain Characteristics</b> I voltage gain ( $A_V$ ) IIN/B to IOU/B Q voltage gain QIN/B to QOUT/B Q channel gain adjust Q channel gain control Gain variation over temperature and supply voltage Differential output amplitude balance, QOUT/QOUTB, IOU/IOU/B	43 $A_V-1.5$ $\pm 2$	45	47 $A_V+1.5$	dB dB dB/V dB dB	External load = 50k $\Omega$ /5pF QBAL = 1.2V QBAL = 0.5 to 2V  $V_{CC} = \pm 150mV$
<b>Power Supply Rejection</b> In-band		20		dB	Measured at I/Q output frequency = 690kHz
<b>Noise</b> Input referred		110		$\mu V_{rms}$	Bandwidth = 10Hz to 5MHz. I and Q channels
<b>1dB Compression</b> Output 1dB compression Out of band blocking signal causing 1dB compression of in-band signal Blocking signal at 60kHz  Blocking signal at 120kHz	1.5  110  110	1.9  150  150		Vp-p  mVrms mVrms mVrms mVrms	Frequency = 2kHz  In-band frequency = 100kHz. All conditions 27°C only In-band frequency = 100kHz. All conditions 27°C only
<b>Intermodulation</b> Input referred intermodulation product  Input referred intermodulation product		 -101 8.8  -101 8.8	 -84.8 57  -84.8 57  -84.8 57	dBV $\mu V_{rms}$ dBV $\mu V_{rms}$ dBV $\mu V_{rms}$ dBV $\mu V_{rms}$	Unmodulated interferers 900kHz 24mVrms, 1700kHz 15mVrms 27°C only  Unmodulated interferers 1.25MHz 24mVrms, 2.25MHz 15mVrms 27°C only
<b>Filter Characteristic (Note 1)</b> ITUNE/QTUNE voltage  Pass band variation over supply and temperature variation I/Q tuning gain Stop band attenuation 900kHz to 10MHz I and Q bandwidth matching In-band gain ripple Average phase balance, I and Q channels	0.5  -3  50	1.2  0  240 55	2.0  +3  4 1.0 3	V  %  kHz/V dB % dBp-p deg	Tuning voltage to set filter to -8dB at 720kHz relative to 350kHz $V_{CC} = \pm 150mV$  ITUNE = QTUNE = 1.2V Frequency = 1kHz to 630kHz Frequency = 1kHz to 630kHz

NOTE 1. Filter tuned to -8dB at 720kHz relative to 350kHz

Cont...

**ELECTRICAL CHARACTERISTICS**  
**CDMA Mode AC Characteristics (continued)**

Characteristic	Value			Units	Conditions
	Min.	Typ.	Max.		
<b>Offset Loop Correction</b> Filter offset adjustment gain: I_OFFSET/Q_OFFSET I_OFFSET B/Q_OFFSETB Amplifier offset settling time: After power on After FM to CDMA cycling	1.2	2.0 2.0	2.8	V/V V/V ms ms	Settling to within 6mV Settling to within 6mV
<b>Input Impedances</b> QIN/QINB and IN/INB	8.0	10	12	kΩ	Frequency = 2kHz
<b>Output Impedances</b> QOUT/QOUTB and IOUT/IOUTB		1.0		kΩ	Frequency = 2kHz

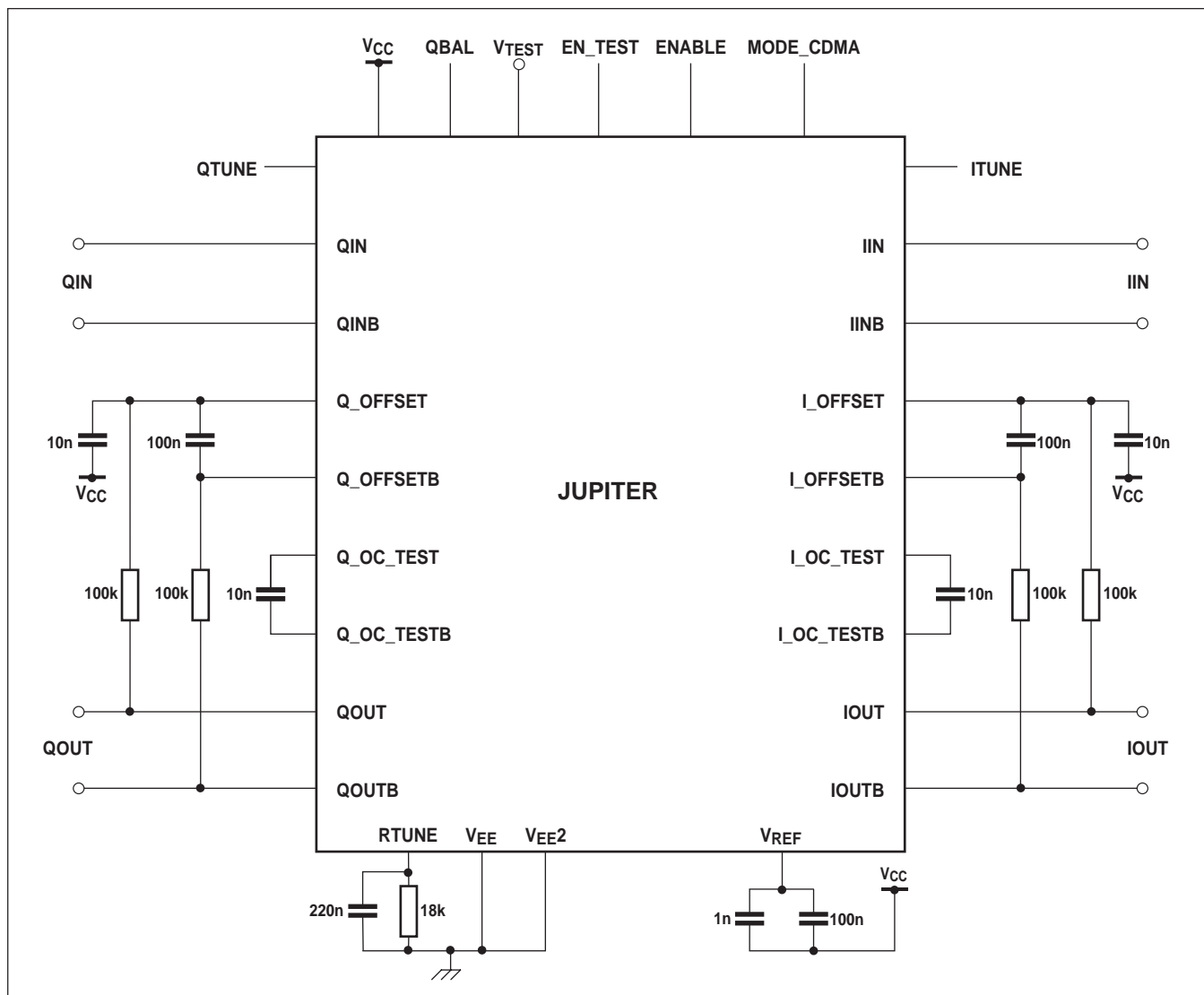
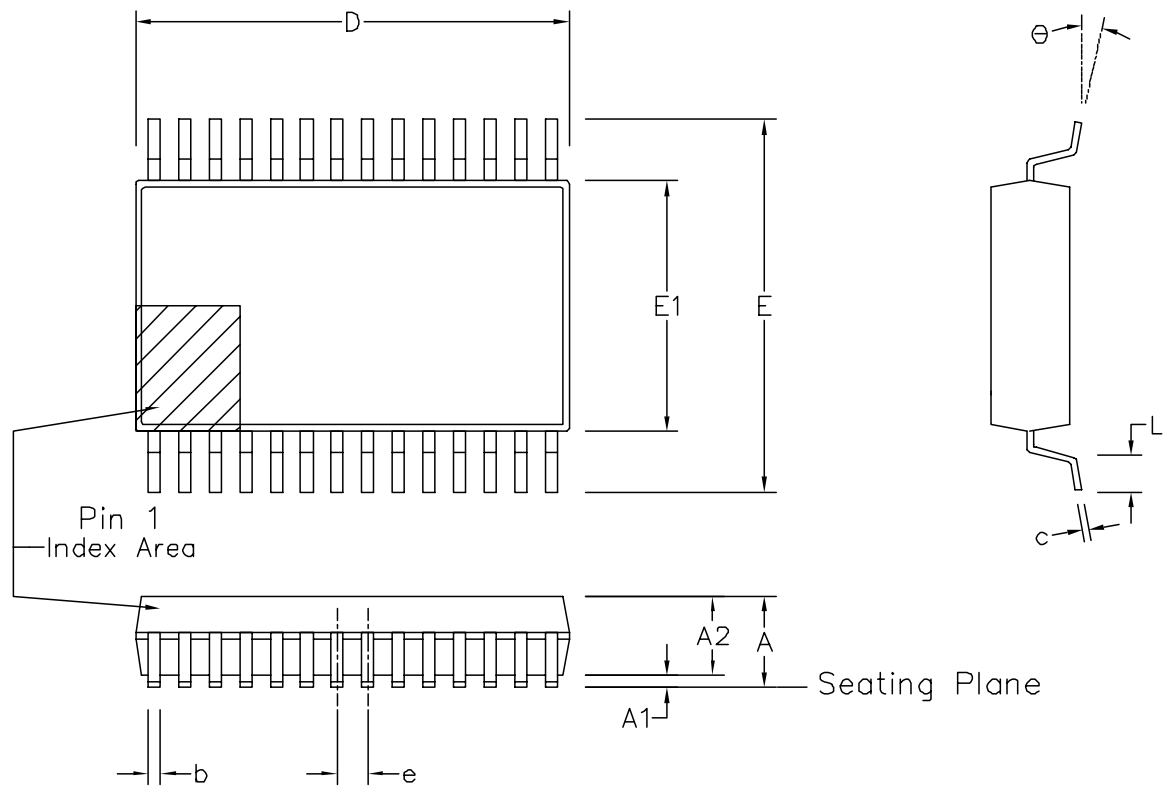


Fig. 4 Test circuit



Symbol	Control Dimensions in millimetres			Altern. Dimensions in inches		
	MIN	Nominal	MAX	MIN	Nominal	MAX
A	1.70		2.00	0.067		0.079
A1	0.05		0.20	0.002		0.008
A2	1.65		1.85	0.065		0.073
D	9.90		10.50	0.390		0.413
E	7.40		8.20	0.291		0.323
E1	5.00		5.60	0.197		0.220
L	0.55		0.95	0.022		0.037
e	0.65 BSC.			0.026 BSC.		
b	0.22		0.38	0.009		0.015
c	0.09		0.25	0.004		0.010
$\Theta$	0°		8°	0°		8°
Pin features						
N	28					
Conforms to JEDEC MO-150 AH Iss. B						

This drawing supersedes: -  
 418/ED/51481/004 (Swindon/Roborough)  
 TD/D 993 (Oldham)

Notes:

1. A visual index feature, e.g. a dot, must be located within the cross-hatched area.
2. Controlling dimension are in millimeters.
3. Dimensions  $D$  and  $E1$  do not include mould flash or protusion. Mould flash or protusion shall not exceed 0.20 mm per side.  $D$  and  $E1$  are maximum plastic body size dimensions including mould mismatch.
4. Dimension  $b$  does not include dambar protusion/intrusion. Allowable dambar protusion shall be 0.13 mm total in excess of  $b$  dimension. Dambar intrusion shall not reduce dimension  $b$  by more than 0.07 mm.

© Mitel (1998) All rights reserved.

ISSUE	1	2			
ACN	201935	205232			
DATE	27FEB97	25SEP98			
APPD.					

MITEL SEMICONDUCTOR

ORIGINATING SITE: SWINDON

Title: Package Outline Drawing for  
 28 lds SSOP-5.3 mm Body Width (NP)

Drawing Number

GPD00296





<http://www.mitelsemi.com>

**World Headquarters - Canada**

Tel: +1 (613) 592 2122  
Fax: +1 (613) 592 6909

**North America**

Tel: +1 (770) 486 0194  
Fax: +1 (770) 631 8213

**Asia/Pacific**

Tel: +65 333 6193  
Fax: +65 333 6192

**Europe, Middle East,  
and Africa (EMEA)**

Tel: +44 (0) 1793 518528  
Fax: +44 (0) 1793 518581

Information relating to products and services furnished herein by Mitel Corporation or its subsidiaries (collectively "Mitel") is believed to be reliable. However, Mitel assumes no liability for errors that may appear in this publication, or for liability otherwise arising from the application or use of any such information, product or service or for any infringement of patents or other intellectual property rights owned by third parties which may result from such application or use. Neither the supply of such information or purchase of product or service conveys any license, either express or implied, under patents or other intellectual property rights owned by Mitel or licensed from third parties by Mitel, whatsoever. Purchasers of products are also hereby notified that the use of product in certain ways or in combination with Mitel, or non-Mitel furnished goods or services may infringe patents or other intellectual property rights owned by Mitel.

This publication is issued to provide information only and (unless agreed by Mitel in writing) may not be used, applied or reproduced for any purpose nor form part of any order or contract nor to be regarded as a representation relating to the products or services concerned. The products, their specifications, services and other information appearing in this publication are subject to change by Mitel without notice. No warranty or guarantee express or implied is made regarding the capability, performance or suitability of any product or service. Information concerning possible methods of use is provided as a guide only and does not constitute any guarantee that such methods of use will be satisfactory in a specific piece of equipment. It is the user's responsibility to fully determine the performance and suitability of any equipment using such information and to ensure that any publication or data used is up to date and has not been superseded. Manufacturing does not necessarily include testing of all functions or parameters. These products are not suitable for use in any medical products whose failure to perform may result in significant injury or death to the user. All products and materials are sold and services provided subject to Mitel's conditions of sale which are available on request.

M Mitel (design) and ST-BUS are registered trademarks of MITEL Corporation  
Mitel Semiconductor is an ISO 9001 Registered Company  
Copyright 1999 MITEL Corporation  
All Rights Reserved  
Printed in CANADA

TECHNICAL DOCUMENTATION - NOT FOR RESALE