

15 Watts

- Renewable Energy, Industrial Applications and EV Applications
- Ultrawide Input Range - 200-1500 VDC
- Fully Encapsulated PCB Mount & DIN Rail Versions
- Optional DIN Rail Versions with Built In EMI Filter & 1500 VDC Fuse
- -40 °C to +70 °C Operating Temperature
- 3 Year Warranty

The JVA series offers high isolation DC-DC converters with an ultra wide DC input range. Configuration options provide convenient installation choices.



Dimensions:

JVA15: 4.92 x 2.95 x 1.57" (124.9 x 74.9 x 40.0 mm)
JVA15-D: 5.08 x 4.02 x 1.92" (129.0 x 102.0 x 49.0 mm)
JVA15-DF: 5.75 x 5.43 x 2.17" (146.05 x 137.9 x 55.0 mm)

Models & Ratings

Output Power	Input Voltage	Output Voltage	Overvoltage Protection (typical)	Output Current	Input Current ⁽¹⁾	Typical Efficiency ⁽⁴⁾	Maximum Capacitive Load	Model Number ^(2,3)
10 W	200-1500 V	5.0 V	8.0 V	2000 mA	120 mA	64%	6000 µF	JVA151500S05
15 W		12.0 V	20.0 V	1250 mA		71%	2000 µF	JVA151500S12
		15.0 V	20.0 V	1000 mA		72%	1200 µF	JVA151500S15
		24.0 V	30.0 V	625 mA		74%	470 µF	JVA151500S24

Notes

1. At 200 VDC input

2. For DIN rail mount option, add suffix '-D' e.g. JVA151500S12-D

3. For DIN rail with added EMI filter option, add suffix '-DF' e.g. JVA151500S24-DF

4. At 800 VDC Input

Input

Characteristic	Minimum	Typical	Maximum	Units	Notes & Conditions
Input Voltage Range	200		1500	VDC	See derating curve
Input Current		120/30/16		mA	200 VDC/800 VDC/1500 VDC input
Inrush Current		50/150		A	200 VDC/1500 VDC input
Input Filter	Pi type				
Undervoltage Lockout	On 180-195 V, Off 170-185 V				
Input Protection	External 15 A/1500 VDC required				
	This is already included in the optional -DF version				

Output

Characteristic	Minimum	Typical	Maximum	Units	Notes & Conditions
Output Voltage	5		24	V	See Models and Ratings table
Initial Set Accuracy		±2		%	
Minimum Load	0			A	No minimum load required
Start Up Delay		2		s	
Line Regulation		±1		%	
Load Regulation		±1		%	0 - 100% load
Ripple & Noise		150	300	mV pk-pk	20 MHz bandwidth
Short Circuit Protection					Trip & Restart (hiccup mode), auto recovery
Overload Protection	120		320	%	Trip & Restart (hiccup mode)
Overvoltage Protection					See Models and Ratings table
Temperature Coefficient		0.02		%/°C	

General

Characteristic	Minimum	Typical	Maximum	Units	Notes & Conditions
Efficiency		72		%	See Models and Ratings table
Isolation	4000			VAC	For 60 s
Switching Frequency		65		kHz	
Operating Altitude			5000	m	Derate from 100% load at 2000 m to 80% load at 5000 m
Mean Time Between Failure	300			kHrs	MIL-HDBK-217F, +25 °C GB
Weight		0.9 (400)		lb (g)	JVA15
		1.01 (460)			JVA15-D
		1.56 (710)			JVA15-DF

Environmental

Characteristic	Minimum	Typical	Maximum	Units	Notes & Conditions
Operating Temperature	-40		+70	°C	See derating curve
Storage Temperature	-40		+85	°C	
Case Temperature			95	°C	
Humidity	5		95	%RH	Non-condensing
Cooling					Natural convection
Shock	±3 shocks in each plane, total 18 shocks of 30 g : 11 ms halfsine. Conforms to EN60068-2-27 & EN60068-2-47				
Vibration	10-500 Hz at 2 g sweep and endurance at resonance in all 3 planes. Conforms to EN60068-2-6				

EMC: Emissions

Phenomenon	Standard	Test Level	Notes & Conditions
Conducted	EN55032	Level A	See application notes. Not required for '-DF' versions
Radiated	EN55032	Level A	

EMC: Immunity

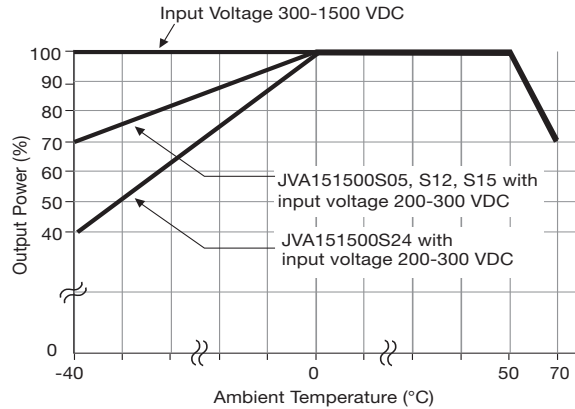
Phenomenon	Standard	Test Level	Criteria	Notes & Conditions
Immunity	EN55024			
ESD Immunity	EN61000-4-2	±6 kV Contact, ±8 kV Air	A	
Radiated Immunity	EN61000-4-3	10 V/m	A	
EFT/Burst	EN61000-4-4	3	A	
Surges	EN61000-4-5	3	A	
Conducted Immunity	EN61000-4-6	10 Vrms	A	
Magnetic Fields	EN61000-4-8	10 A/m	A	

Safety Approvals

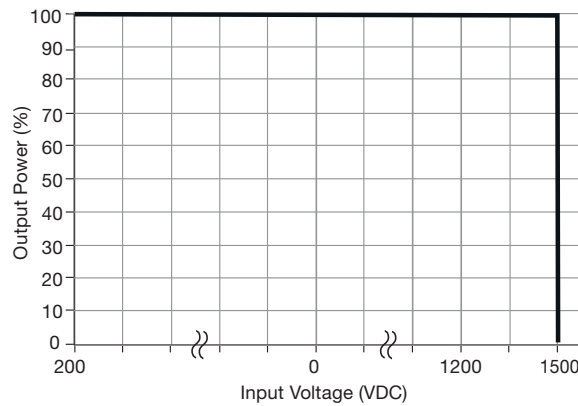
Safety Agency	Safety Standard	Notes & Conditions
EN	EN62109	Photovoltaic Power System
UL	UL1741/CSA-C22.2 No.107-1	Distributed Energy Resources

Application Notes

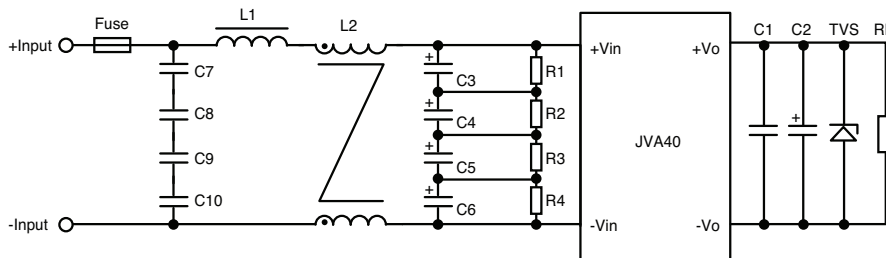
Thermal Derating Curve



Input Derating Curve



EMI Filter for Conducted Emissions

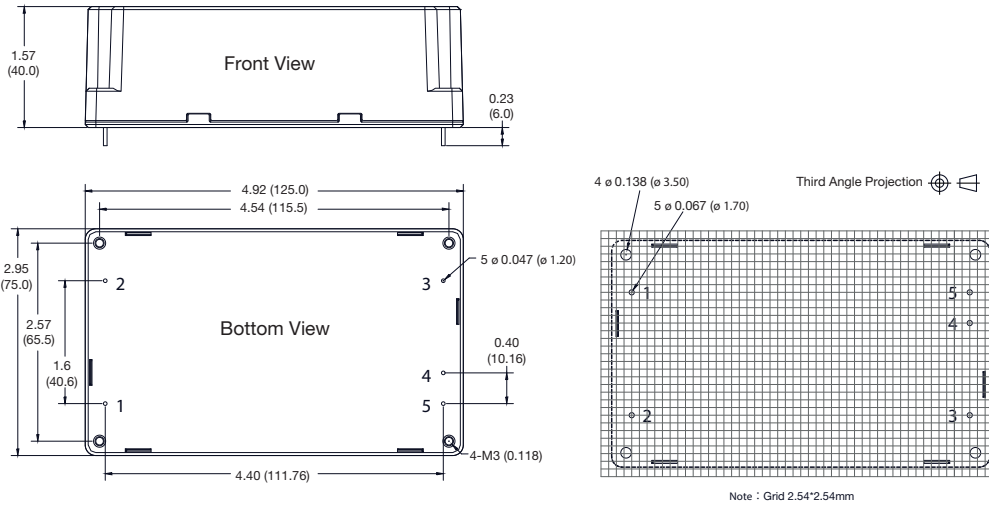


Model	C1 (μF)	C2 (μF)	TVS
JVA151500S05	1	120	SMBJ7.0A
JVA151500S12		120	SMBJ20A
JVA151500S15		120	SMBJ20A
JVA151500S24		68	SMBJ30A

Element Model	Recommended Value
C7/C8/C9/C10	104K/275 VAC
C3/C4/C5/C6	47 μF/450 VDC
R1/R2/R3/R4	1 MΩ/2 W
L1	330 μH/1 A
L2	7 mH/1 A
Fuse	15 A/1500 VDC

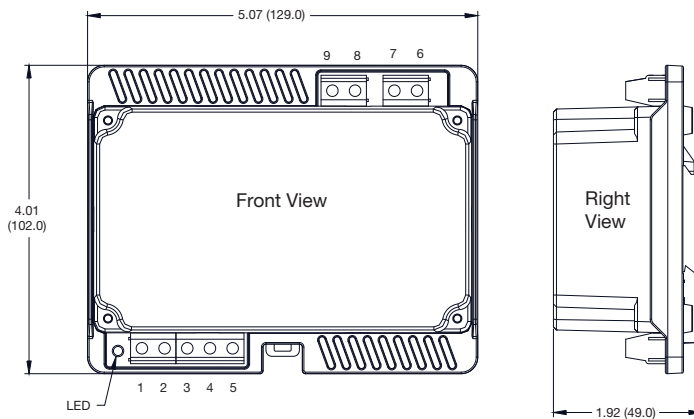
Mechanical Details

Standard PCB mount



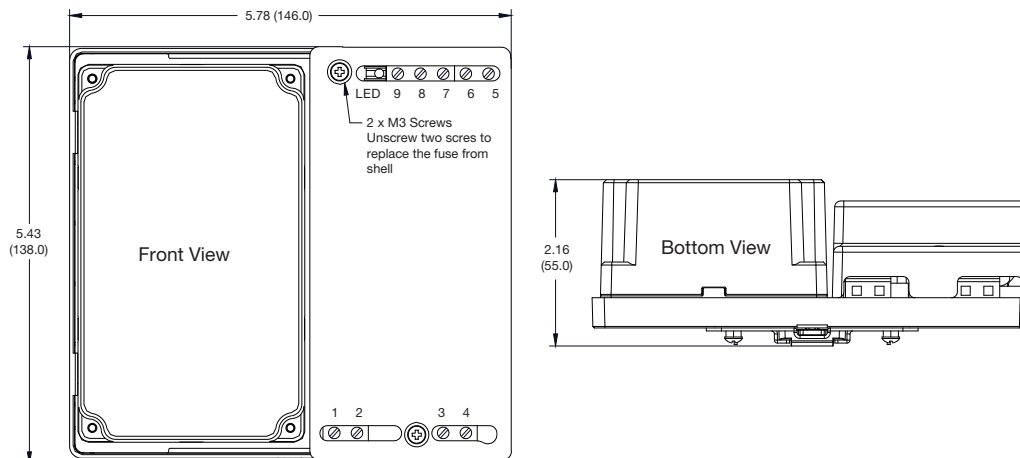
Pin Connections	
Pin	Function
1	-Vin
2	+Vin
3	No Connection
4	-Vo
5	+Vo

Optional DIN rail mount, -D



Pin Connections	
Pin	Function
1	+Vo
2	-Vo
3	No Connection
4	No Connection
5	No Connection
6	+Vin
7	+Vin
8	-Vin
9	-Vin

Optional DIN rail mount with filter, -DF



Pin Connections	
Pin	Function
1	-Vin
2	-Vin
3	+Vin
4	+Vin
5	+Vo
6	-Vo
7	No Connection
8	No Connection
9	No Connection

Notes

1. All dimensions are in inches (mm)

2. Weight: Standard PCB mount: 0.66 lbs (300 g) approx
 Optional DIN rail mount, -D: 0.79 lbs (360 g) approx
 Optional DIN rail mount with filter, -DF: 1.34 lbs (610 g) approx