

DESCRIPTION

The JWH5140 and JWH5140F is a monolithic buck switching regulator based on constant on-time control (COT) for fast transient response. Operating with a wide input voltage range of 6V~100V, the JWH5140 and JWH5140F delivers 0.6A of continuous output current with two integrated MOSFETs. Constant on-time control mode control provides tight load transient response and cycle-by-cycle current limit. At light loads, JWH5140 operates in low frequency to maintain high efficiency, while JWH5140F operates in continuous current mode for frequency sensitive application.

The JWH5140 and JWH5140F guarantees robustness with short-circuit protection, thermal protection, current run-away protection, and input under voltage lockout.

The JWH5140 and JWH5140F are available both in ESOP8 and DFN4X4-8 packages, which provides a compact solution with minimal external components.

Company's Logo is Protected, "JW" and "JOULWATT" are Registered

Trademarks of Joulwatt Technology Co., Ltd.

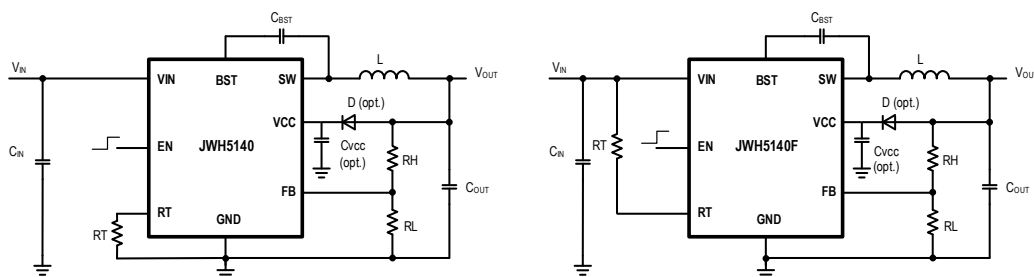
FEATURES

- 6V to 100V Operating Input Range
- 0.6A Output Current
- Internal Soft-start
- Adjustable Switch Frequency
- FCCM at Light Load (JWH5140F)
- PFM at Light Load (JWH5140)
- Input under Voltage Lockout
- Current Run-away Protection
- Short Circuit Protection
- Thermal Protection
- Available in ESOP8/DFN4X4-8 Package

APPLICATIONS

- Distributed Power Systems
- Smart Meter
- Automotive Systems
- High Voltage Power Conversion
- Industrial Power Systems
- Battery Powered Systems

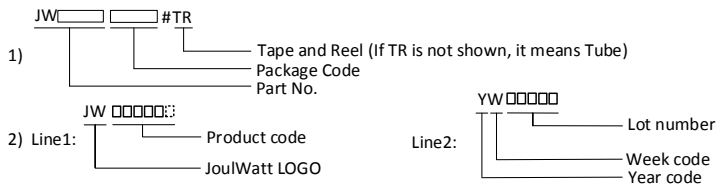
TYPICAL APPLICATION



ORDER INFORMATION

DEVICE ¹⁾	PACKAGE	TOP MARKING ²⁾	ENVIRONMENTAL ³⁾
JWH5140DFNI#TR	DFN4X4-8	JWH5140 YW□□□□□	Green
JWH5140FDFNI#TR	DFN4X4-8	JWH5140F YW□□□□□	Green
JWH5140ESOP#TR	ESOP8	JWH5140 YW□□□□□	Green
JWH5140FESOP#TR	ESOP8	JWH5140F YW□□□□□	Green

Notes:



3) All JoulWatt products are packaged with Pb-free and Halogen-free materials and compliant to RoHS standards.

DEVICE INFORMATION

DEVICE	OPERATION MODE AT LIGHT LOAD	PACKAGE	MSL	STATUS
JWH5140DFNI#TR	PFM	DFN4X4-8	MSL3	Available
JWH5140FDFNI#TR	FCCM	DFN4X4-8	MSL3	Available
JWH5140ESOP#TR	PFM	ESOP8	MSL3	Available
JWH5140FESOP#TR	FCCM	ESOP8	MSL3	Available

PIN CONFIGURATION

TOP VIEW



ABSOLUTE MAXIMUM RATING¹⁾

VIN, EN, SW, RT Pin	-0.3V to 110V
SW Pin.....	-0.3V (-7V for 10ns) to 110V
BST Pin	SW-0.3V to SW+6V
VCC Pin	-0.3V to 27V
FB Pin	-0.3V to 6V
Junction Temperature ²⁾	150°C
Lead Temperature	260°C
Storage Temperature	-65°C to +150°C
ESD Susceptibility (Human Body Model)	2kV
ESD Susceptibility (Charged Device Model).....	500V

RECOMMENDED OPERATING CONDITIONS³⁾

Input Voltage V _{IN}	6V to 100V
Output Voltage V _{OUT}	1.225V to Dmax x VIN (<30V)
Operating Junction Temperature	-40°C to 125°C

THERMAL PERFORMANCE⁴⁾

	θ_{JA}	θ_{JC}
ESOP8.....	42...2.5°C/W	
DFN4X4-8.....	42...3.2°C/W	

Note:

- 1) Exceeding these ratings may damage the device. These stress ratings do not imply function operation of the device at any other conditions beyond those indicated under RECOMMENDED OPERATING CONDITIONS.
- 2) The JWH5140 and JWH5140F includes thermal protection that is intended to protect the device in overload conditions. Continuous operation over the specified absolute maximum operating junction temperature may damage the device.
- 3) The device is not guaranteed to function outside of its operating conditions.
- 4) Measured on JESD51-7, 4-layer PCB

ELECTRICAL CHARACTERISTICS

$V_{IN} = 48V, T_J = -40^{\circ}C \sim 125^{\circ}C, \text{ unless otherwise stated.}$						
Item	Symbol	Condition	Min.	Typ.	Max.	Units
V_{IN} Under-voltage Lockout Threshold	V_{IN_MIN}	V_{IN} rising	5.3	5.6	5.9	V
V_{IN} Under-voltage Lockout Hysteresis	$V_{IN_MIN_HYST}$	V_{IN} falling		252		mV
Shutdown Supply Current	I_{SD}	$V_{EN}=0V@25^{\circ}C$		3.3	5	μA
		$-40 \sim 125^{\circ}C$			6	μA
Supply Current	I_Q	No switching@ $25^{\circ}C$	105	145	180	μA
		$-40 \sim 125^{\circ}C$	80	145	250	μA
Feedback Voltage	V_{FB}	$6V \leq V_{IN} \leq 100V$	1.2	1.225	1.25	V
FB Over-voltage Threshold	V_{FB_OVP}	Trip Point for Switch OFF	1.57	1.65	1.73	V
High-side FET On Resistance	$R_{DS(ON)T}$	$I_{SW} = -100mA$		0.58		Ω
Low-side FET On Resistance	$R_{DS(ON)B}$	$I_{SW} = 100mA$		0.3		Ω
High-side FET Current Limit	I_{LIM_TOP}		0.9	1.2	1.5	A
Low-side FET Current Limit	I_{LIM_BOT}		0.57	0.64	0.685	A
Low-side FET Negative Current Limit	I_{LIM_Neg}	JWH5140F	0.75	0.9	1.05	A
Switch Frequency	f_{SW}	$R_{RT}=200k\Omega, @ V_{IN}=48V, V_{OUT}=12V, I_{OUT}=0.3A, \text{ JWH5140}$		635		kHz
		$R_{RT}=1.1M\Omega, @ V_{IN}=48V, V_{OUT}=12V, I_{OUT}=0.3A, \text{ JWH5140F}$		620		kHz
Switch Frequency Range			100		1000	kHz
Minimum On Time ⁵⁾	T_{ON_MIN}			90		ns
Minimum Off Time	T_{OFF_MIN}	$V_{FB}=1V$		150		ns
Soft-start Time	T_{SS}	$0V < V_{FB} < 1.2V$		1.9		ms
EN Under-voltage Lockout Threshold	V_{EN_TH}	V_{EN} rising	1.19	1.225	1.26	V
EN Under-voltage Lockout Hysteresis Input Current	I_{EN_HYST}	$V_{EN} = 2.5V(\text{JWH5140F})$	12	21	30	μA
EN Shut-down Threshold	V_{EN_SD}	V_{EN} falling	0.8	1.09		V
VCC Power Supply Switch Voltage	V_{CC_TH}	V_{CC} rising		6.175		V
	V_{CC_TL}	V_{CC} falling		6		V
Thermal Shutdown ⁵⁾	T_{TSD}			165		$^{\circ}C$
Thermal Shutdown Hysteresis ⁵⁾	T_{TSD_HYST}			20		$^{\circ}C$

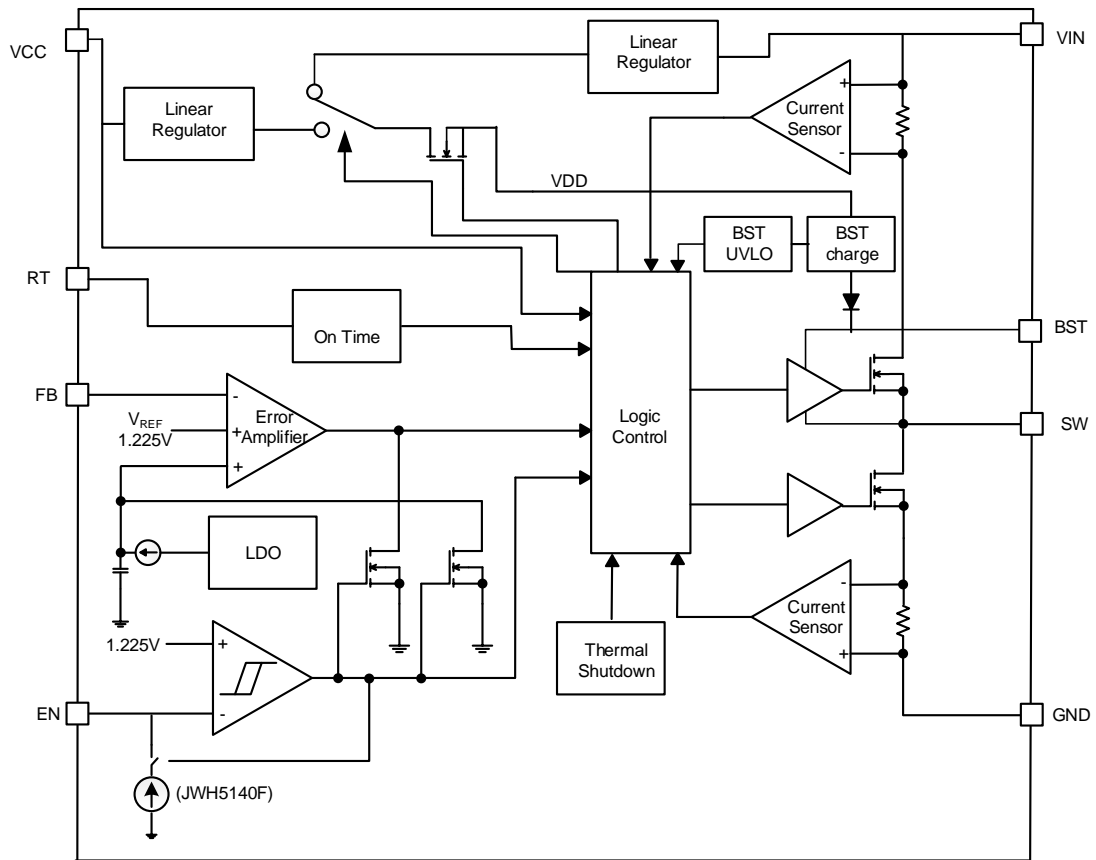
Note:

5) Guaranteed by design.

PIN DESCRIPTION

Pin		Name	Description
ESOP8	DFN4X4-8		
1	1	GND	Ground.
2	2	VIN	Input voltage pin. VIN supplies power to the IC. Connect a 6V to 100V supply to VIN and bypass VIN to GND with a suitably large capacitor to eliminate noise on the input to the IC.
3	3	EN	Drive EN pin high to turn on the regulator and low to turn off the regulator.
4	4	RT	Switching Frequency Program Input. Connect a resistor from this pin to VIN (JWH5140F) or GND (JWH5140) to set the switching frequency.
5	5	FB	Output feedback pin. FB senses the output voltage and is regulated by the control loop to 1.225V. Connect a resistive divider at FB.
6	6	VCC	Supply input of the internal LDO
7	7	BST	An external capacitor is required between the BST and SW pins (0.1- μ F ceramic). The BST pin capacitor is charged by the internal regulator when the SW pin is low.
8	8	SW	SW is the switching node that supplies power to the output. Connect the output LC filter from SW to the output load.
		Exposed-pad GND	Exposed pad must be connected to the GND pin. Solder to the system ground plane on application board for reduced thermal resistance.

BLOCK DIAGRAM

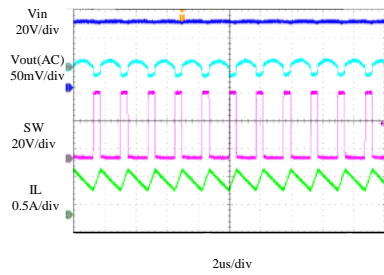


TYPICAL PERFORMANCE CHARACTERISTICS (JWH5140)

$V_{IN} = 48V$, $V_{OUT} = 12V$, $L = 47\mu H$, $C_{OUT} = 10\mu F$, $R_T = 200k\Omega$, $T_A = +25^\circ C$, unless otherwise noted

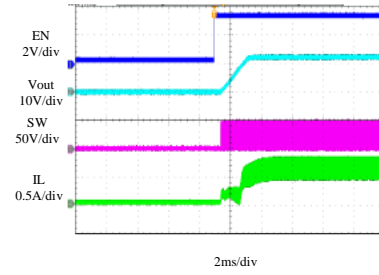
Steady State Test

$V_{IN} = 48V$, $V_{OUT} = 12V$
 $I_{OUT} = 0.6A$



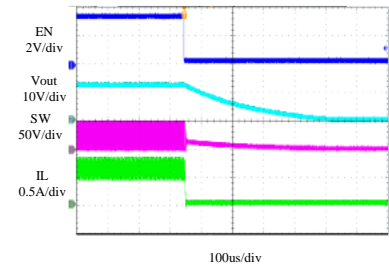
Startup through Enable

$V_{IN} = 48V$, $V_{OUT} = 12V$
 $I_{OUT} = 0.6A$ (Resistive load)



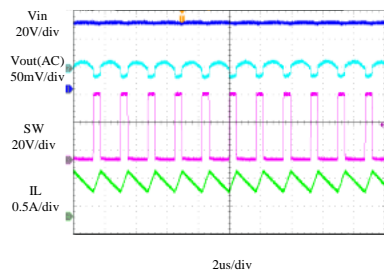
Shutdown through Enable

$V_{IN} = 48V$, $V_{OUT} = 12V$
 $I_{OUT} = 0.6A$ (Resistive load)



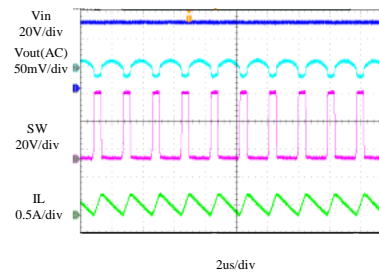
Heavy Load Operation

0.6A LOAD



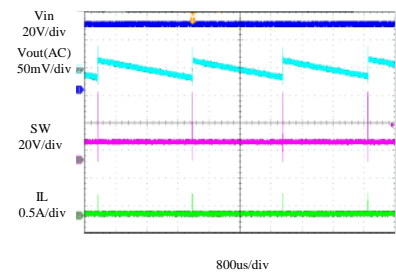
Light Load Operation

0.16A LOAD



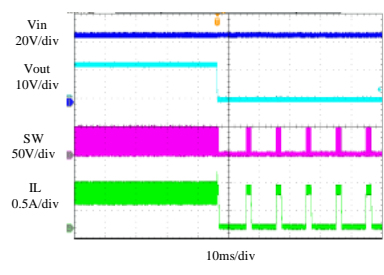
No Load Operation

0 A LOAD



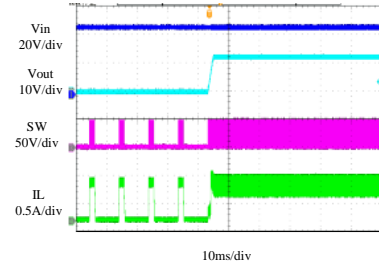
Short Circuit Protection

$V_{IN} = 48V$, $V_{OUT} = 12V$
 $I_{OUT} = 0.6A$ -Short



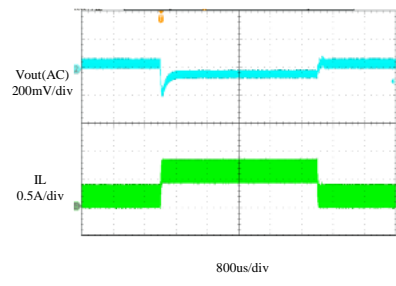
Short Circuit Recovery

$V_{IN} = 48V$, $V_{OUT} = 12V$
 $I_{OUT} = \text{Short}-0.6A$



Load Transient

0.1A LOAD \rightarrow 0.6A LOAD \rightarrow 0.1A LOAD

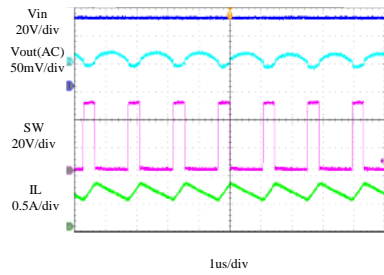


TYPICAL PERFORMANCE CHARACTERISTICS (JWH5140F)

$V_{IN} = 48V$, $V_{OUT} = 12V$, $L = 47\mu H$, $C_{OUT} = 10\mu F$, $R_T = 1M\Omega$, $T_A = +25^\circ C$, unless otherwise noted

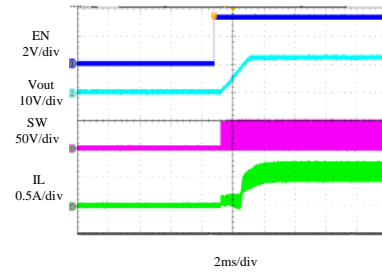
Steady State Test

$V_{IN} = 48V$, $V_{OUT} = 12V$
 $I_{OUT} = 0.6A$



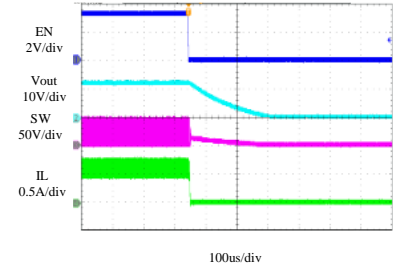
Startup through Enable

$V_{IN} = 48V$, $V_{OUT} = 12V$
 $I_{OUT} = 0.6A$ (Resistive load)



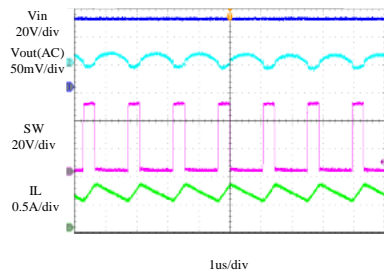
Shutdown through Enable

$V_{IN} = 48V$, $V_{OUT} = 12V$
 $I_{OUT} = 0.6A$ (Resistive load)



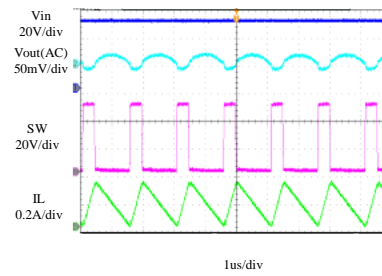
Heavy Load Operation

0.6A LOAD



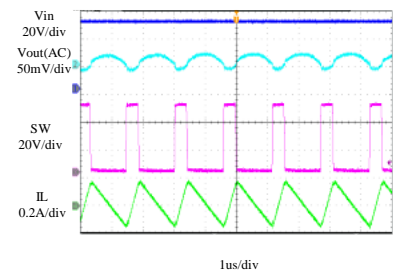
Light Load Operation

0.15A LOAD



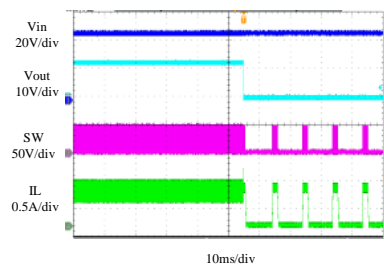
No Load Operation

0 A LOAD



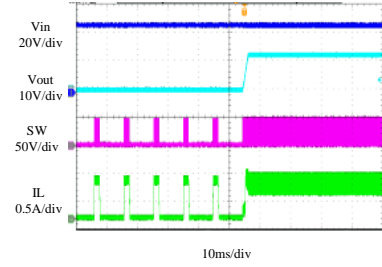
Short Circuit Protection

$V_{IN} = 48V$, $V_{OUT} = 12V$
 $I_{OUT} = 0.6A$ -Short



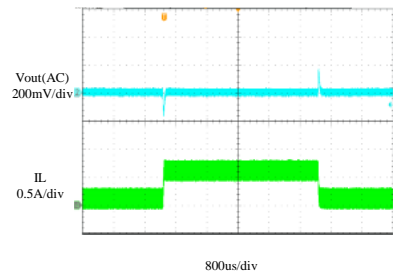
Short Circuit Recovery

$V_{IN} = 48V$, $V_{OUT} = 12V$
 $I_{OUT} = \text{Short}-0.6A$

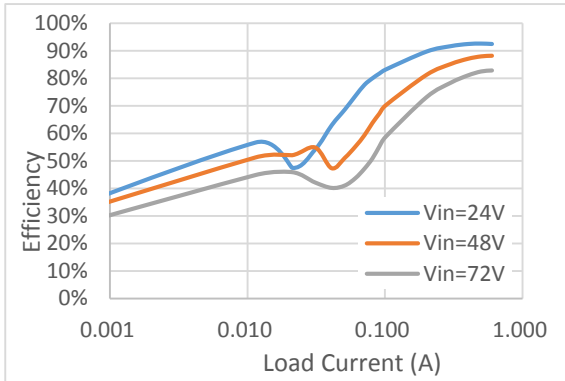


Load Transient

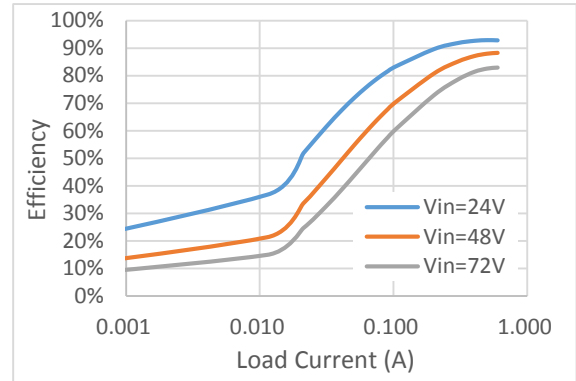
0.1A LOAD \rightarrow 0.6A LOAD \rightarrow 0.1A LOAD



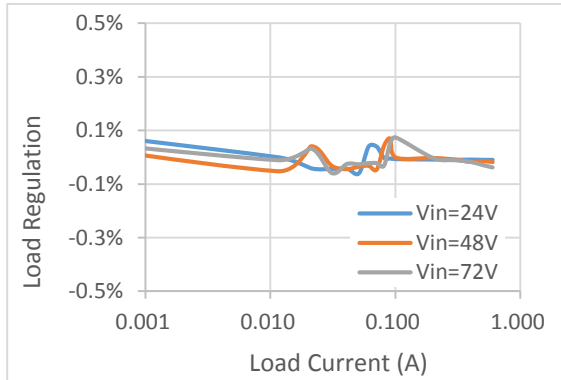
TYPICAL PERFORMANCE CHARACTERISTICS



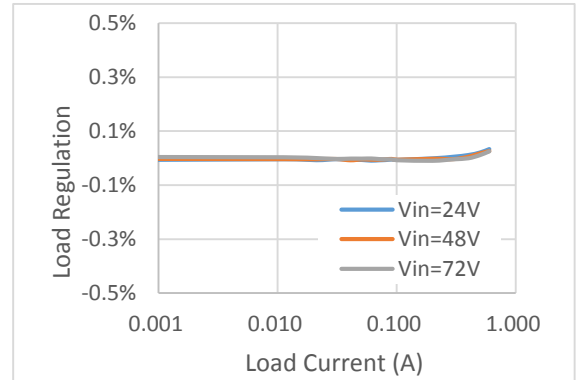
Efficiency vs Load Current
(JWH5140, $V_{OUT}=12V$, $L=47\mu H$)



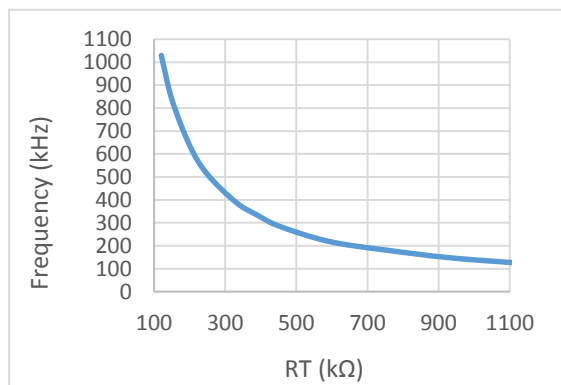
Efficiency vs Load Current
(JWH5140F, $V_{OUT}=12V$, $L=47\mu H$)



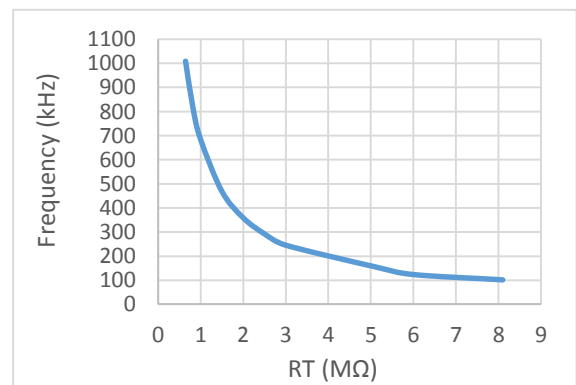
Load Regulation vs Load Current
(JWH5140, $V_{OUT}=12V$, $L=47\mu H$)



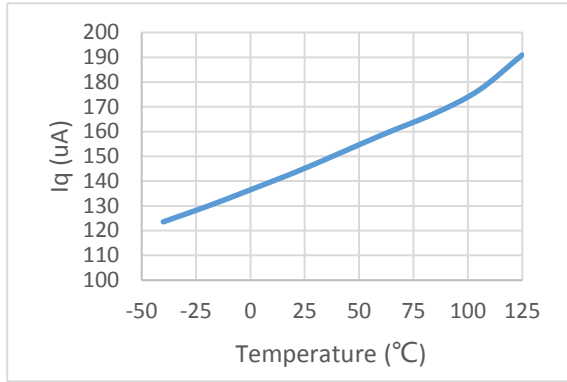
Load Regulation vs Load Current
(JWH5140F, $V_{OUT}=12V$, $L=47\mu H$)



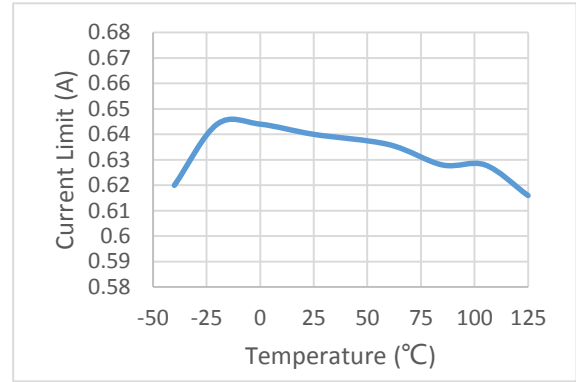
Switch Frequency vs RT
(JWH5140, $V_{OUT}=12V$, $I_{OUT}=0.3A$)



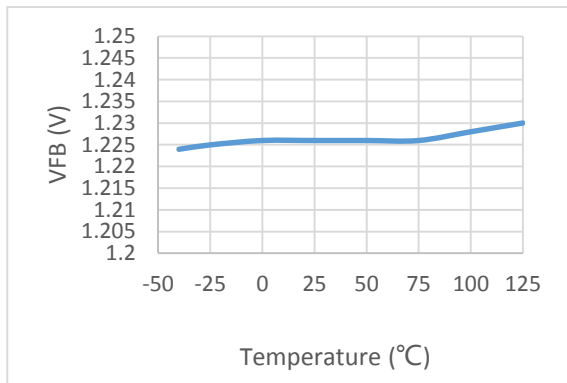
Switch Frequency vs RT
(JWH5140F, $V_{OUT}=12V$, $I_{OUT}=0.3A$)



Supply Current vs Junction Temperature



Current Limit vs Junction Temperature



FB Voltage Regulaion vs Junction Temperature

FUNCTIONAL DESCRIPTION

The JWH5140 and JWH5140F is a synchronous, COT, step-down regulator. It regulates input voltages from 6V to 100V down to an output voltage as low as 1.225V, and is capable of supplying up to 0.6A of load current.

Shut-Down Mode

The JWH5140 and JWH5140F shut down when voltage at EN pin is below 0.4V. The entire regulator is off and the supply current consumed by the JWH5140 and JWH5140F drops below 5uA.

Power Switch

Two N-Channel MOSFET switches are integrated on the JWH5140 and JWH5140F to down convert the input voltage to the regulated output voltage.

Precision Enable and Adjustable UVLO Protection

The JWH5140 and JWH5140F support adjustable input under-voltage lockout (UVLO) with hysteresis programmed by the resistor values for application specific power-up and power-down requirements and a resistive divider connected between VIN and ground with the central tap connected to EN can be used to adjust the input voltage UVLO. (Shown in Figure 1). Once the EN pin voltage exceeds 1.225 V, an additional 21µA of hysteresis is added. This additional current facilitates input voltage hysteresis. Use below Equation to set the input startup voltage and external hysteresis for the input voltage.

$$V_{inUVLO} = \left(1 + \frac{R_{EN_H}}{R_{EN_L}}\right) * V_{EN_TH}$$

$$V_{UVLOHYS} = \left(1 + \frac{R_{EN_H}}{R_{EN_L}}\right) * \left(V_{EN_HYS} + I_{ENHYS} * \frac{R_{EN_H} * R_{EN_L}}{R_{EN_H} + R_{EN_L}}\right)$$

Where JWH5140F $i_{HYS}=21\mu A$, JWH5140

$i_{HYS}=0\mu A$, $V_{EN_TH} = 1.225V$

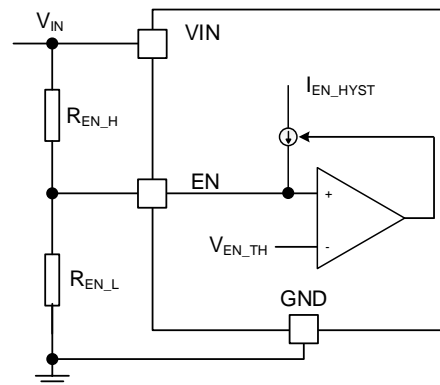


Figure 1. UVLO Setting

In applications, R_{EN_H} should be at least 7 times R_{EN_L} .

Internal Soft-start

Soft-start is designed in JWH5140 and JWH5140F to prevent the converter output voltage from overshooting during startup and short-circuit recovery. When the chip starts, the internal circuit generates a soft-start voltage (SS) ramping up from 0V to 3V. When it is less than the V_{REF} , SS overrides V_{REF} and the error amplifier uses SS as the reference. When SS exceeds V_{REF} , V_{REF} regains control.

Internal LDO Regulator

The JWH5140 and JWH5140F consists of two internal LDOs for VDD from the VIN pin and the VCC pin. When the voltage of VCC is lower than 6V, the LDO regulator current from VIN sources will into the capacitor on internal VDD. When the voltage on the VDD reaches the under voltage lockout threshold voltage, the Buck switch is enabled. When the voltage of VCC pin voltage is higher than 6.175V, the VCC side LDO is enabled and the VIN side LDO is disabled. A 0.1µF ceramic capacitor is recommended for CVCC for most applications.

In order to reduce internal power dissipation, an

auxiliary voltage can be connected to the VCC pin via a diode. Setting the auxiliary voltage to 6.5 -25V will shut off the internal regulator from VIN.

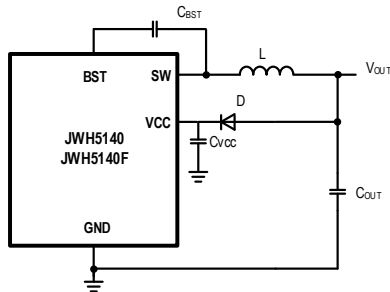


Figure 2. VCC Setting

Switching Frequency

The switching frequency of JWH5140 and JWH5140F can be set by the resistor RT connecting the RT pin to VIN pin (JWH5140F) or GND pin (JWH5140). In a typical application scenario with an input voltage of 48V and an output voltage of 12V with a load of 0.3A, The frequency of JWH5140 can be calculated by the following equation:

$$R_T(k\Omega) = 164930 \cdot f_{sw}(kHz)^{-1.041}$$

where the unit of R_{RT} is $k\Omega$.

In the above application, The frequency of JWH5140F can be calculated by the following equation:

$$R_T(M\Omega) = 1188 \cdot (f_{sw}(kHz) - 2)^{-1.084}$$

where the unit of R_{RT} is $M\Omega$.

To reduce the solution size one would typically set the switching frequency as high as possible, but tradeoffs of the conversion efficiency, maximum input voltage and minimum controllable on time should be considered. The minimum controllable on time is typically 90 ns which limit the maximum operating frequency in applications with high input to output step down ratios.

Output Current Run-Away Protection

At start-up, due to the high voltage at input and low voltage at output, current inertia of the output inductance can be easily built up, resulting in a large start-up output current. A valley current limit is designed in the JWH5140 and JWH5140F so that only when output current drops below the valley current limit can the top power switch be turned on. By such control mechanism, the output current at start-up is well controlled.

Output Short Protection

The current limit of JWH5140 and JWH5140F is a cycle-by-cycle “valley” mechanism, measuring the inductor current through the synchronous rectifier during the off-time while the inductor current ramps down. The current is determined by measuring the voltage between source and drain of the synchronous rectifier. If the current exceeds the current limit, the turn-on signal of top MOSFET is inhibited until the inductor current ramps down below the current limit. Thus, only when the inductor current is well below the current limit, another on-time is permitted. If the output current exceeds the available inductor current (controlled by the current limit mechanism), the output voltage will drop. When the output is shorted to ground, the regulator is allowed to switch for 128 cycles. If the short condition is cleared within this period, then the regulator resumes normal operation. If the short condition is still present after 8ms, then no switching is allowed and the regulator enters hiccup mode for 8ms. After the 8ms, the regulator will try to start-up again. If the short condition still exists after 128 cycles of switching, the regulator enters hiccup mode. This process of start-up and hiccup iterate itself until the short condition is removed.

Over Voltage Protection

Output overvoltage protection (OVP) is

designed in JWH5140 and JWH5140F to minimize voltage overshoot when recovering from output fault conditions or strong unload transients in designs with low output capacitance and the power supply output voltage increase faster than the response of the error amplifier output resulting in an output overshoot.

The OVP feature minimizes output overshoot when using a low value output capacitor by comparing the FB pin voltage to the rising OVP threshold which is nominally 1.65V. If the FB pin voltage is greater than the rising OVP threshold,

the high side MOSFET is immediately disabled to minimize output overshoot. When the FB voltage drops below the falling OVP threshold which is nominally 1.225V, the high side MOSFET resumes normal operation.

Thermal Protection

When the temperature of the JWH5140 and JWH5140F rises above 165°C, it is forced into thermal shut-down.

Only when core temperature drops below 145°C can the regulator becomes active again.

APPLICATION INFORMATION

Output Voltage Set

The output voltage is determined by the resistor divider connected at the FB pin, and the voltage ratio is:

$$V_{FB} = V_{OUT} * \frac{R_L}{R_H + R_L}$$

where V_{FB} is the feedback voltage and V_{OUT} is the output voltage.

Choose R_L around 1 kΩ~20kΩ, and then R_H can be calculated by:

$$R_H = R_L * \left(\frac{V_{OUT}}{1.225} - 1 \right)$$

Input Capacitor

The input capacitor is used to supply the AC input current to the step-down converter and maintaining the DC input voltage. Estimate the RMS current in the input capacitor with:

$$I_{CIN} = I_{OUT} * \sqrt{\frac{V_{OUT}}{V_{IN}} * \left(1 - \frac{V_{OUT}}{V_{IN}} \right)}$$

where I_{OUT} is the load current, V_{OUT} is the output voltage, V_{IN} is the input voltage.

When using ceramic capacitors, make sure that they have enough capacitance to provide sufficient charge to prevent excessive voltage ripple at the input. Thus the input capacitor can be calculated by the following equation when the input ripple voltage is determined.

$$C_{IN} = \frac{I_{OUT}}{f_s * \Delta V_{IN}} * \frac{V_{OUT}}{V_{IN}} * \left(1 - \frac{V_{OUT}}{V_{IN}} \right)$$

where C_{IN} is the input capacitance value, f_s is the switching frequency, ΔV_{IN} is the input ripple voltage.

The input capacitor can be electrolytic, tantalum or ceramic. To minimizing the potential noise, a small X5R or X7R ceramic capacitor, i.e. 0.1uF, should be placed as close to the IC as possible when using electrolytic capacitors.

A 22μF/200V electrolytic capacitor is recommended in typical application.

Output Capacitor

The output capacitor is required to maintain the DC output voltage, and the capacitance value determines the output ripple voltage. The output voltage ripple can be calculated by:

$$\Delta V_{OUT} = \frac{V_{OUT}}{f_s \cdot L} \cdot \left(1 - \frac{V_{OUT}}{V_{IN}} \right) \cdot \left(R_{ESR} + \frac{1}{8 \cdot f_s \cdot C_{OUT}} \right)$$

where C_{OUT} is the output capacitance value and R_{ESR} is the equivalent series resistance value of the output capacitor.

The output capacitor can be low ESR electrolytic, tantalum or ceramic, which lower ESR capacitors get lower output ripple voltage. The output capacitors also affect the system stability and transient response, and a 10uF ceramic capacitor is recommended in typical application.

Inductor

The inductor is used to supply constant current to the output load, and the value determines the ripple current which affect the efficiency and the output voltage ripple. The ripple current is typically allowed to be 30% to 50% of the maximum switch current limit, thus the inductance value can be calculated by:

$$L = \frac{V_{OUT}}{f_s * \Delta I_L} * \left(1 - \frac{V_{OUT}}{V_{IN}} \right)$$

where V_{IN} is the input voltage, V_{OUT} is the output voltage, f_s is the switching frequency, and ΔI_L is the peak-to-peak inductor ripple current.

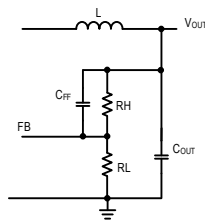
External Bootstrap Capacitor

A bootstrap capacitor is required to supply voltage to the top switch driver. A 0.1uF low

ESR ceramic capacitor is recommended to be connected to the BST pin and SW pin.

Load Transient Consideration

The JWH5140 and JW5140F regulator adopts the instant PWM architecture to achieve good stability and fast transient responses. Adding a ceramic capacitor C_{FF} in parallel with R_H is recommended.

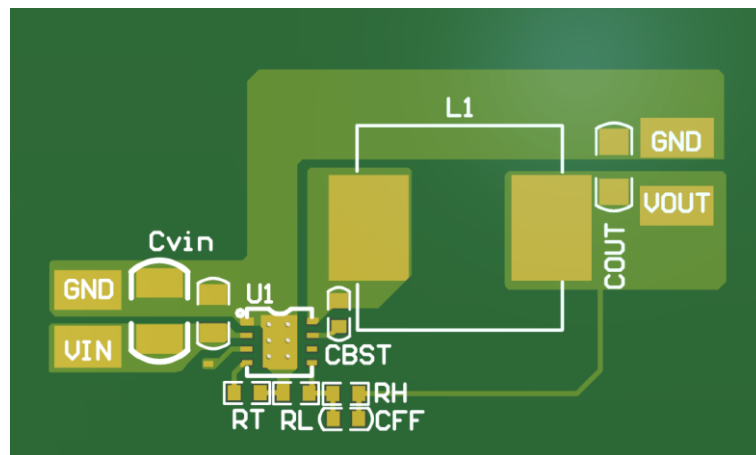


PCB Layout Note

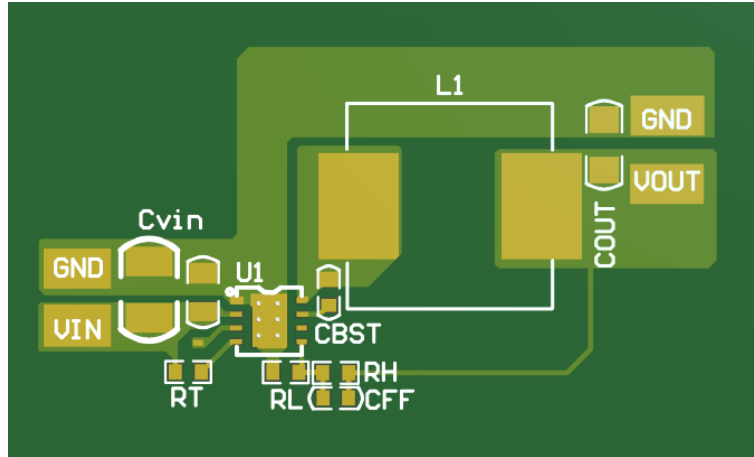
For minimum noise problem and best operating performance, the PCB is preferred to following DFN4x4-8:

the guidelines as reference.

1. Place the input decoupling capacitor as close to JWH5140/F (VIN pin and PGND) as possible to eliminate noise at the input pin. The loop area formed by input capacitor and GND must be minimized.
2. Put the feedback trace as short as possible, and far away from the inductor and noisy power traces like SW node.
3. The ground plane on the PCB should be as large as possible for better heat dissipation.
4. Keep the switching node SW short to prevent excessive capacitive coupling
5. Make V_{IN}, V_{OUT} and ground bus connections as wide as possible. This reduces any voltage drops on the input or output paths of the converter and maximizes efficiency.

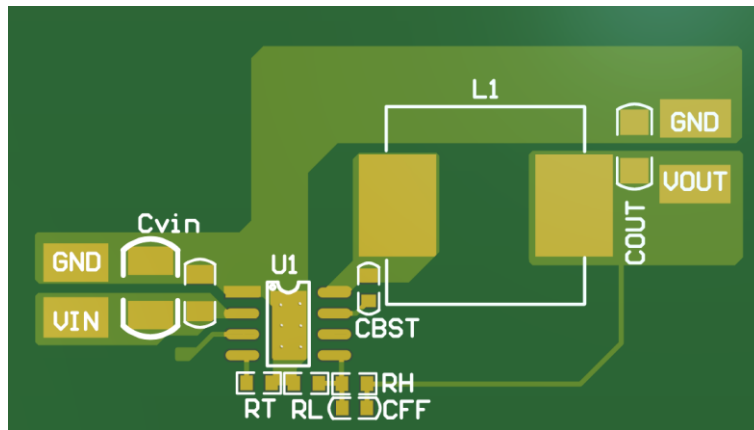


PCB Layout Recommendation for JWH5140

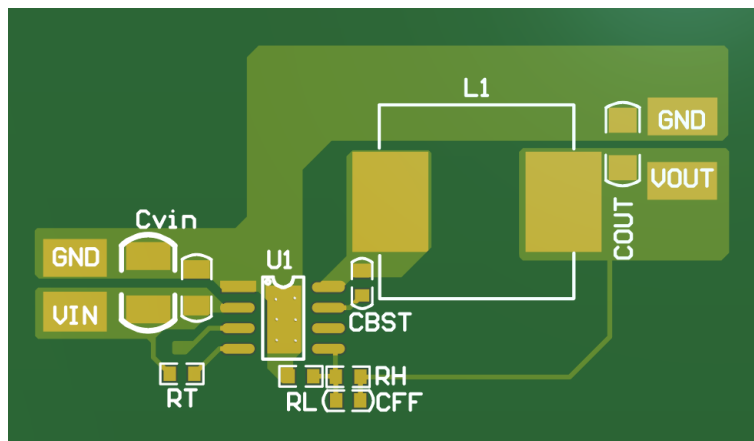


PCB Layout Recommendation for JWH5140F

ESOP8:



PCB Layout Recommendation for JWH5140



PCB Layout Recommendation for JWH5140F

REFERENCE DESIGN

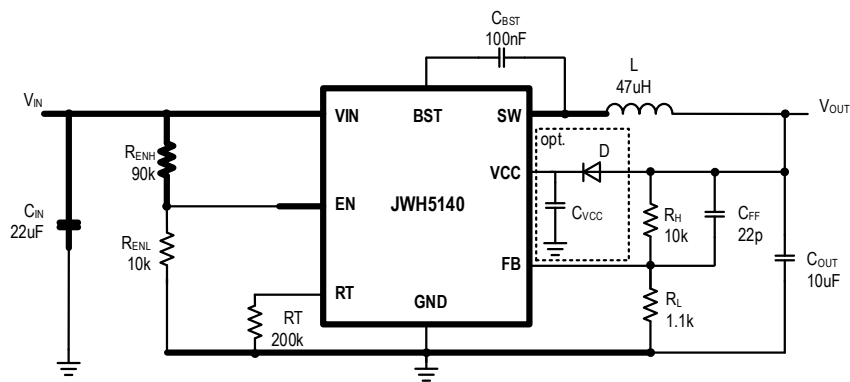
Note: Information in the following reference design sections is not part of JoulWatt component specification. Customers are responsible for determining suitability of components chosen for their purposes and should validate their design implementation to make sure the proper system functionality.

Reference 1:

V_{IN} : 15V~100V

V_{OUT} : 12V

I_{OUT} : 0~0.6A

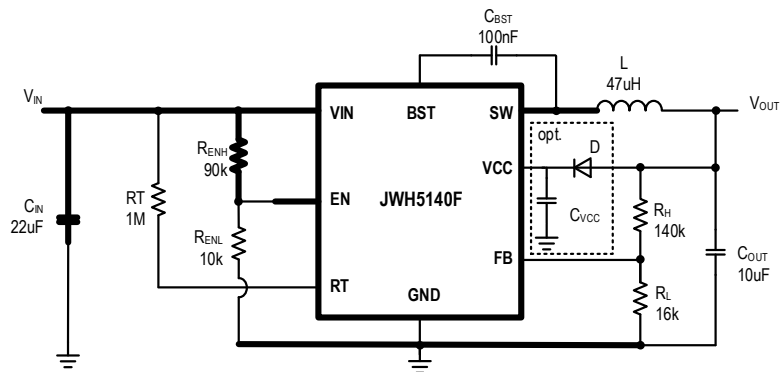


Reference 2:

V_{IN} : 15V~100V

V_{OUT} : 12V

I_{OUT} : 0~0.6A



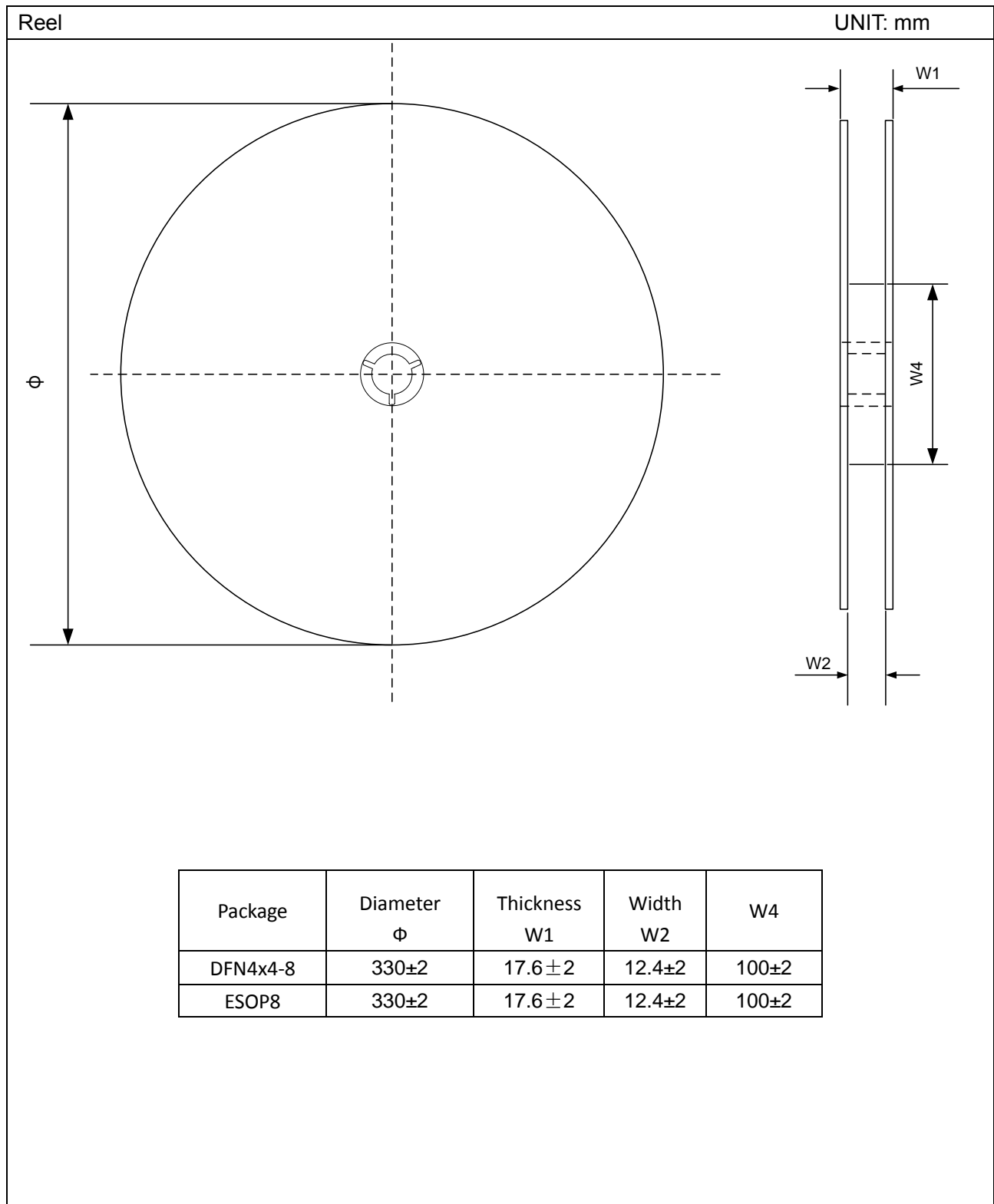
External Components Suggestion ($V_{IN}=48V$):

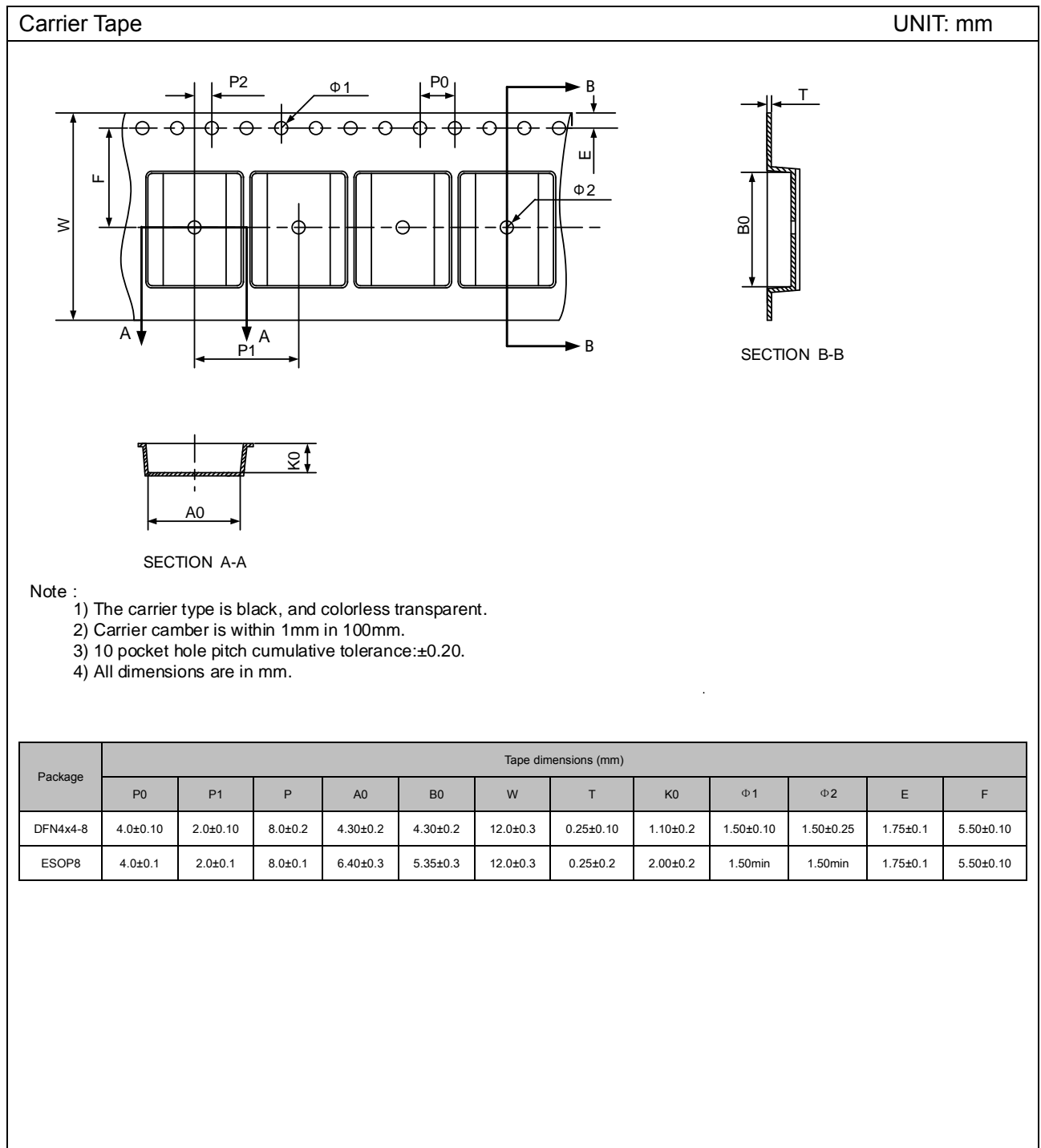
	V_{OUT} (V)	R_L (k Ω)	R_H (k Ω)	C_{FF} (pF)	R_T (M Ω)	L (μ H)	C_{OUT_NOM} (μ F)	C_{OUT_EFF} (μ F)
JWH5140	12	1.1	10	22	0.2	47	10	6
JWH5140F	12	16	140	NC	1	47	10	6

Notes:

- 1) In order to improve dynamic performance, a feedforward capacitor (C_{FF}) can be considered to be in parallel with R_H .
- 2) Capacitor tolerance and bias voltage de-rating should be considered. The effective capacitance can vary by +20% and -80%. Please refer to the datasheet of the capacitor.
- 3) C_{OUT_NOM} is the minimum nominal capacitance value of C_{OUT} (output capacitance). C_{OUT_EFF} is the minimum effective capacitance value of C_{OUT} .

TAPE AND REEL INFORMATION

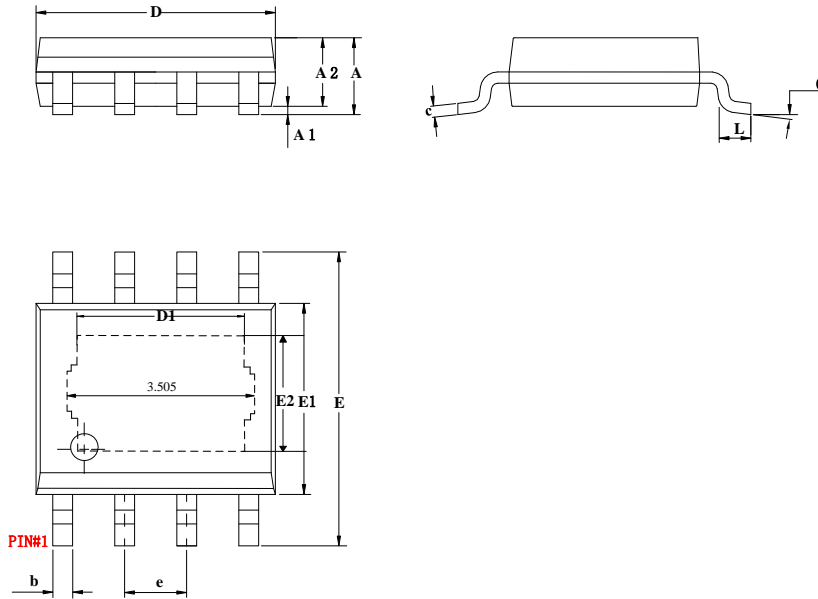




PACKAGE OUTLINE

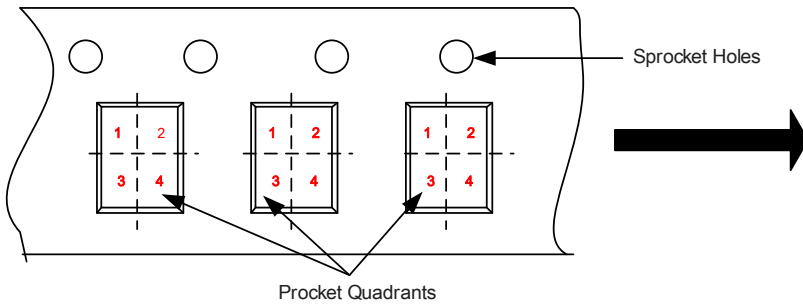
ESOP8

UNIT: mm



Symbol	MILLIMETER		
	MIN	NOM	MAX
A	1.30	—	1.70
A1	0.00	—	0.10
A2	1.35	—	1.60
b	0.33	—	0.51
c	0.17	—	0.25
D	4.70	—	5.10
E	5.80	6.00	6.20
E1	3.75	3.90	4.15
D1	3.05	—	3.40
E2	2.16	—	2.50
e	1.27BSC		
L	0.40	—	1.27
θ	0°	—	8°

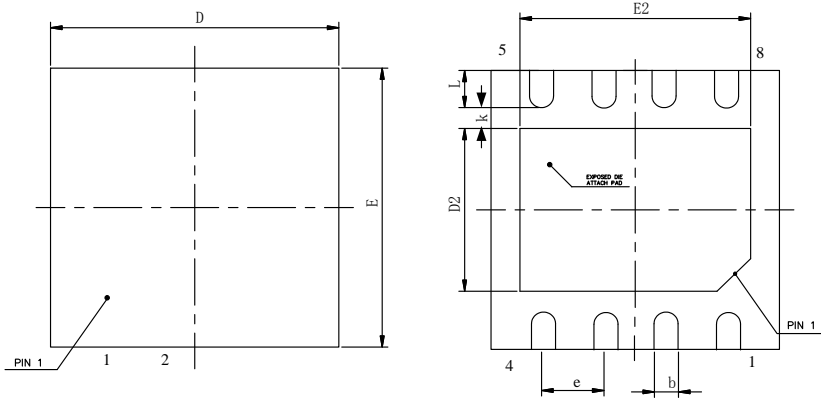
QUADRANT ASSIGNMENTS FOR PIN 1 ORIENTATION IN TAPAE



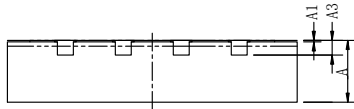
Package Type	Pin1 Quadrant
ESOP8	1

DFN4X4-8

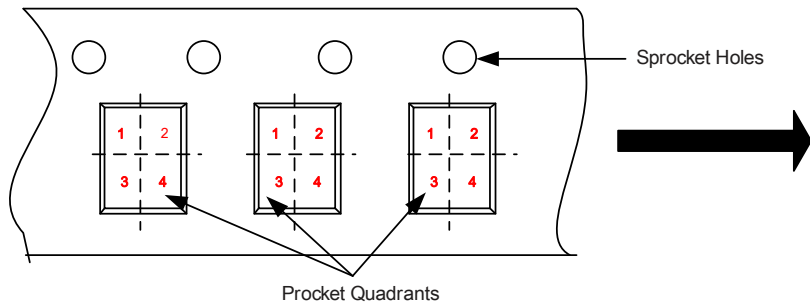
UNIT: mm



SYMBOL	MILLIMETER		
	MIN	NOM	MAX
A	0.70	0.75	0.80
A1	0.00	0.02	0.05
A3	0.203 REF		
b	0.25	0.30	0.35
D	4 BSC		
E	4 BSC		
e	0.8 BSC		
D2	1.88	1.98	2.08
E2	2.9	3.0	3.1
L	0.30	0.40	0.50
K	0.61 REF		



QUADRANT ASSIGNMENTS FOR PIN 1 ORIENTATION IN TAPAE



Package Type	Pin1 Quadrant
DFN4X4-8	1

IMPORTANT NOTICE

- Joulwatt Technology Co.,Ltd reserves the right to make modifications, enhancements, improvements, corrections or other changes without further notice to this document and any product described herein.
- Any unauthorized redistribution or copy of this document for any purpose is strictly forbidden.
- Joulwatt Technology Co.,Ltd does not warrant or accept any liability whatsoever in respect of any products purchased through unauthorized sales channel.
- JOULWATT TECHNOLOGY CO.,LTD PROVIDES TECHNICAL AND RELIABILITY DATA (INCLUDING DATASHEETS), DESIGN RESOURCES (INCLUDING REFERENCE DESIGNS), APPLICATION OR OTHER DESIGN ADVICE, SAFETY INFORMATION AND OTHER RESOURCES, AND DISCLAIMS ALL WARRANTIES, EXPRESS AND IMPLIED, INCLUDING WITHOUT LIMITATION ANY IMPLIED WARRANTIES OF MERCHANTABILITY, FITNESS FOR A PARTICULAR PURPOSE OR NON-INFRINGEMENT OF THIRD PARTY INTELLECTUAL PROPERTY RIGHTS.

Copyright © 2020 JoulWatt.

All rights are reserved by Joulwatt Technology Co.,Ltd.