

MICRO SWITCH

A DIVISION OF MINNEAPOLIS-HONEYWELL REGULATOR COMPANY

MINNEAPOLIS, MINNESOTA

FED. MFR. CODE 91929

SWITCH - ACTUATOR

CATALOG LISTING

JX-20

5

JX-20

M

DRAWING NUMBER

ISSUE

5

ISSUE

5

REPLACES

RELEASE NO. SR-7915

CHECK B, L.S. 14 NOV 58

CHECK 23 SEPT 58

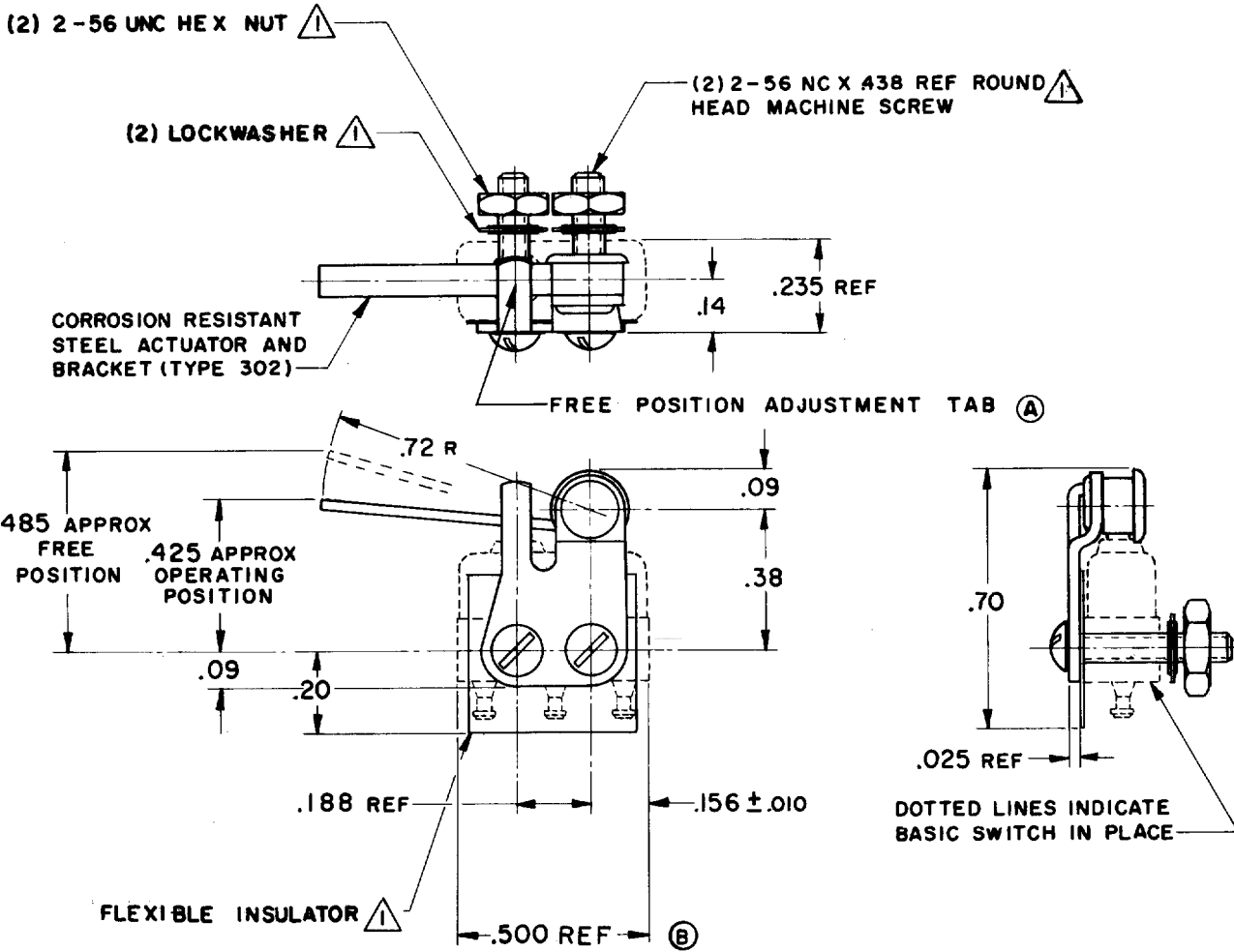
CHECK RED 24 NOV 58

CHECK GCH 24 NOV 58

CHECK 18 SEPT 58

R. E. R.

FO-50378



NOTE -
 \triangle - FURNISHED UNASSEMBLED.

THIS DRAWING COVERS A PROPRIETARY ITEM AND IS THE PROPERTY OF MICRO SWITCH, A DIVISION OF MINNEAPOLIS-HONEYWELL REGULATOR CO. THIS DRAWING IS NOT TO BE COPIED OR USED WITHOUT THE APPROVAL OF MICRO SWITCH.

CHARACTERISTICS WITH ISX1-T BASIC SWITCH INSTALLED

OPERATING FORCE - - - - - 1 OZ APPROX

RELEASE FORCE - - - - - 4 GRAMS MIN \textcircled{A}

DIFFERENTIAL TRAVEL - - - - - .030 APPROX

OVERTRAVEL - - - - - .030 APPROX

ELECTRICAL DATA

CONTACT ARRANGEMENT

BREAK DISTANCE

SCALE 2 TO 1

DO NOT SCALE PRINT

UNLESS OTHERWISE SPECIFIED
 DIMENSIONS ARE IN INCHES
TOLERANCES ARE:
 ONE PLACE (.0) \pm .030
 TWO PLACE (.00) \pm .018
 THREE PLACE (.000) \pm .008
 ANGLES \pm

WEIGHT