

# JXO Series

## Clock Crystal Oscillator

### Features

- It is an ultracompact oscillator with a C-MOS IC built in that is the same shape (height 3.5mm) as a crystal device.
- It is a completely sealed type with a metal case.
- The case comes with a grounding terminal.
- It is also possible to attach a stand-off. (option)
- It is provided with multiple standard frequencies.



### Specifications

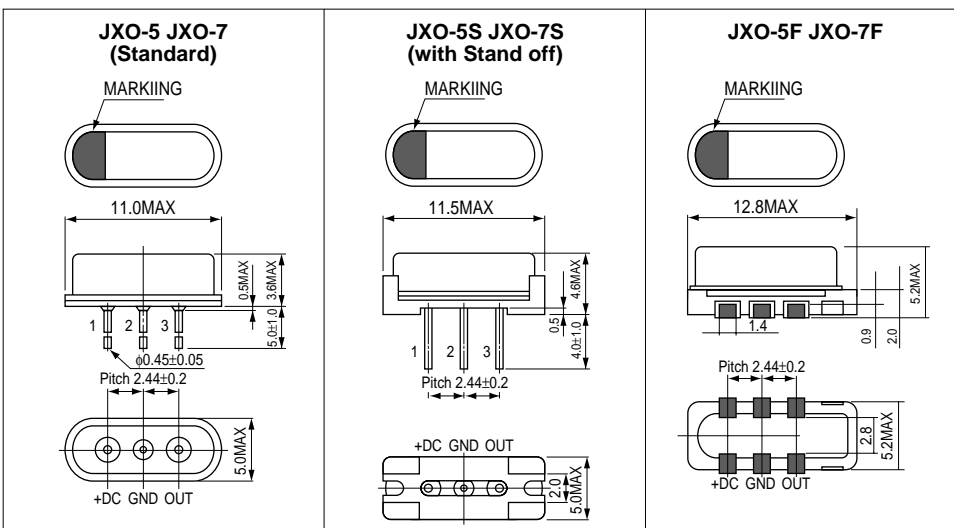
| Item                        | Type | JXO-5  | JXO-5A                  | JXO-7                    |            |
|-----------------------------|------|--|-------------------------|--------------------------|------------|
| Frequency Range             |      | 1~20MHz  | * 1                     | 20.1~50MHz               | 50.1~70MHz |
| Standard Frequency          |      | Table 1  | 15.36                   | Table 1                  |            |
| Frequency Stability         |      | $\pm 100 \times 10^{-6}$   | $\pm 30 \times 10^{-6}$ | $\pm 100 \times 10^{-6}$ |            |
| Operating Temperature Range |      | -10~+70°C  | -30~+70°C               | -10~+70°C                |            |
| Storage Temperature Range   |      | -20~+80°C  | -30~+80°C               | -20~+80°C                |            |
| Supply Voltage              |      | 5V $\pm$ 0.5V  |                         |                          |            |
| Current                     |      | 20mA MAX.  | 5.0mA MAX.              | 25mA MAX.                | 50mA MAX.  |
| Load                        |      | 50pF (10LS TTL)  | 15pF (2TTL)             | 15pF (10LS TTL)          |            |
| Output Level                |      | $V_{OH} : V_{DD} - 0.5V \text{ MIN.} / V_{OL} : 0.5V \text{ MAX.}$ |                         |                          |            |
| Output Symmetry             |      | 40~60%   |                         |                          |            |
| Rise Time/Fall Time         |      | 20ns MAX.  | 15ns MAX.               |                          | 10ns MAX.  |
| Start-up Time               |      | 3ms MAX.   | 1.5ms MAX.              | 10ms MAX.                |            |
| Vibration                   |      | 10~55Hz Amplitude 1.5mm, Cycle 1 minute, 3 direction, 1 hour each  |                         |                          |            |
| Shock                       |      | 1000G  |                         |                          |            |
| Weight                      |      | 0.6g   |                         |                          |            |

\* Please contact us for frequency range of JXO-5A.

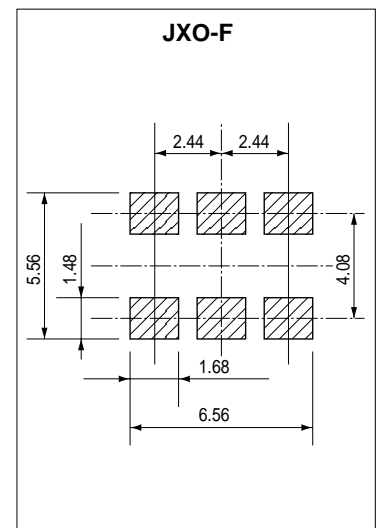
Table 1  
Standard Frequencies(MHz)

| JXO-5, JXO-7 |           |          |
|--------------|-----------|----------|
| 1.000        | 12.800    | 24.000   |
| 1.8432       | 14.31818  | 24.576   |
| 2.4576       | 14.7456   | 25.000   |
| 3.579545     | 15.000    | 25.175   |
| 3.6864       | 15.360    | 27.000   |
| 4.000        | 16.000    | 28.63636 |
| 4.9152       | 16.384    | 30.000   |
| 5.000        | 16.9344   | 32.000   |
| 6.000        | 17.734476 | 33.3333  |
| 6.400        | 18.000    | 33.8688  |
| 7.680        | 18.432    | 39.675   |
| 8.000        | 19.200    | 40.000   |
| 10.000       | 19.6608   | 48.000   |
| 12.000       | 20.000    | 50.000   |
| 12.288       | 21.0526   | 66.667   |

### Outline



### Land Pattern



Dimensions(mm)