

High and Low side driver

General Description

The product is a high voltage, high speed power MOSFET and IGBT driver based on P-SUB P-EPI process. The floating channel driver can be used to drive two N-channel power MOSFET or IGBT independently which operates up to 150V. Logic inputs are compatible with standard CMOS or LSTTL output, down to 3.3V logic. The output drivers feature a high pulse current buffer stage designed for minimum driver cross conduction. Propagation delays are matched to simplify use in high frequency applications.

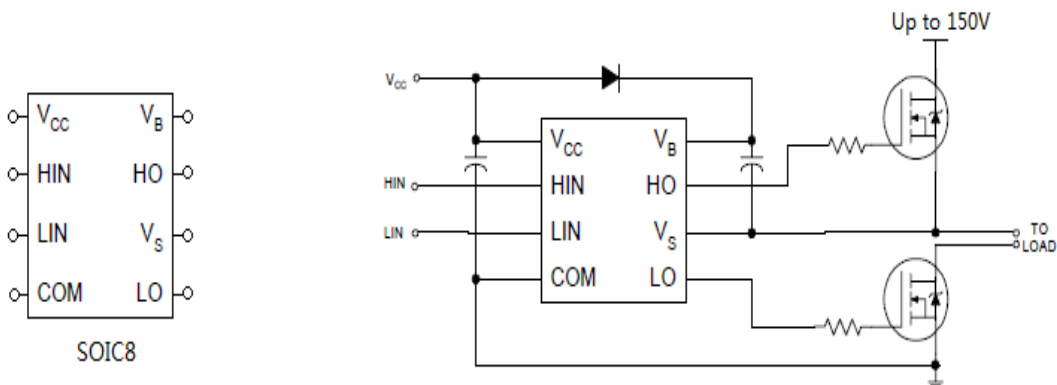
Features

- 3.3V logic compatible
- Fully operational to +150V
- Floating channel designed for bootstrap operation
- Gate drive supply range from 5.5V to 20V
- Output Source/Sink current capability 450mA/850mA
- Independent Logic input to accommodate all topologies
- -5V negative Vs ability
- Matched propagation delay for both channels

Applications

- Power MOSFET or IGBT driver
- Small and medium-power motor driver

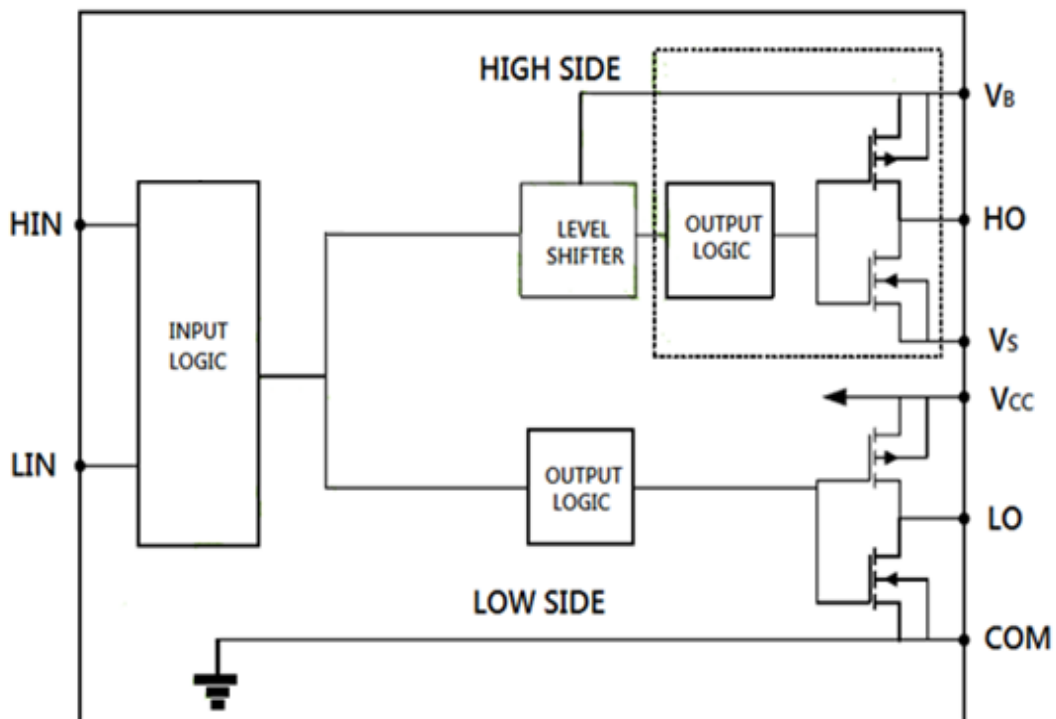
Packages And Application Circuit



Pin Description

Pin Number	Pin Name	Pin Function
1	V _{CC}	Low side and main power supply
2	HIN	Logic input for high side gate driver output(HO)
3	LIN	Logic input for low side gate driver output(LO)
4	COM	Ground
5	LO	Low side gate drive output, in phase with LIN
6	V _S	High side floating supply return or bootstrap return
7	HO	High side gate drive output, in phase with HIN
8	V _B	High side floating supply

Functional Block Diagram



Absolute Maximum Ratings

Symbol	Definition	MIN.	MAX.	Units
V _B	High side floating supply	-0.3	150	V
V _S	High side floating supply return	V _B -20	V _B +0.3	
V _{HO}	High side gate drive output	V _S -0.3	V _B +0.3	
V _{CC}	Low side and main power supply	-0.3	25	
V _{LO}	Low side gate drive output	-0.3	V _{CC} +0.3	
V _{IN}	Logic input of HIN&LIN	-0.3	V _{CC} +0.3	
ESD	HBM Model	2500		V
	Machine Model	200		V
P _D	Package Power Dissipation @T _A ≤ 25° C	—	0.63	W
Rth _{JA}	Thermal Resistance Junction to Ambient	—	200	° C/W
T _J	Junction Temperature	—	150	° C
T _S	Storage Temperature	-55	150	
T _L	Lead Temperature	—	300	

Note: Exceeding these ratings may damage the device

Recommended Operating Conditions

Symbol	Definition	MIN.	MAX.	Units
V _B	High side floating supply	V _S +5.5	V _S +20	V
V _S	High side floating supply return	—	150	
V _{HO}	High side gate drive output	V _S	V _B	
V _{CC}	Low side and main power supply	5.5	20	
V _{LO}	Low side gate drive output	0	V _{CC}	
V _{IN}	Logic input of HIN&LIN	0	V _{CC}	
T _A	Ambient Temperature	-40	125	° C

Dynamic Electrical Characteristics

V_{BIAS}(V_{CC},V_{BS})=15V,C_L=1000pF , T_A=25° C。

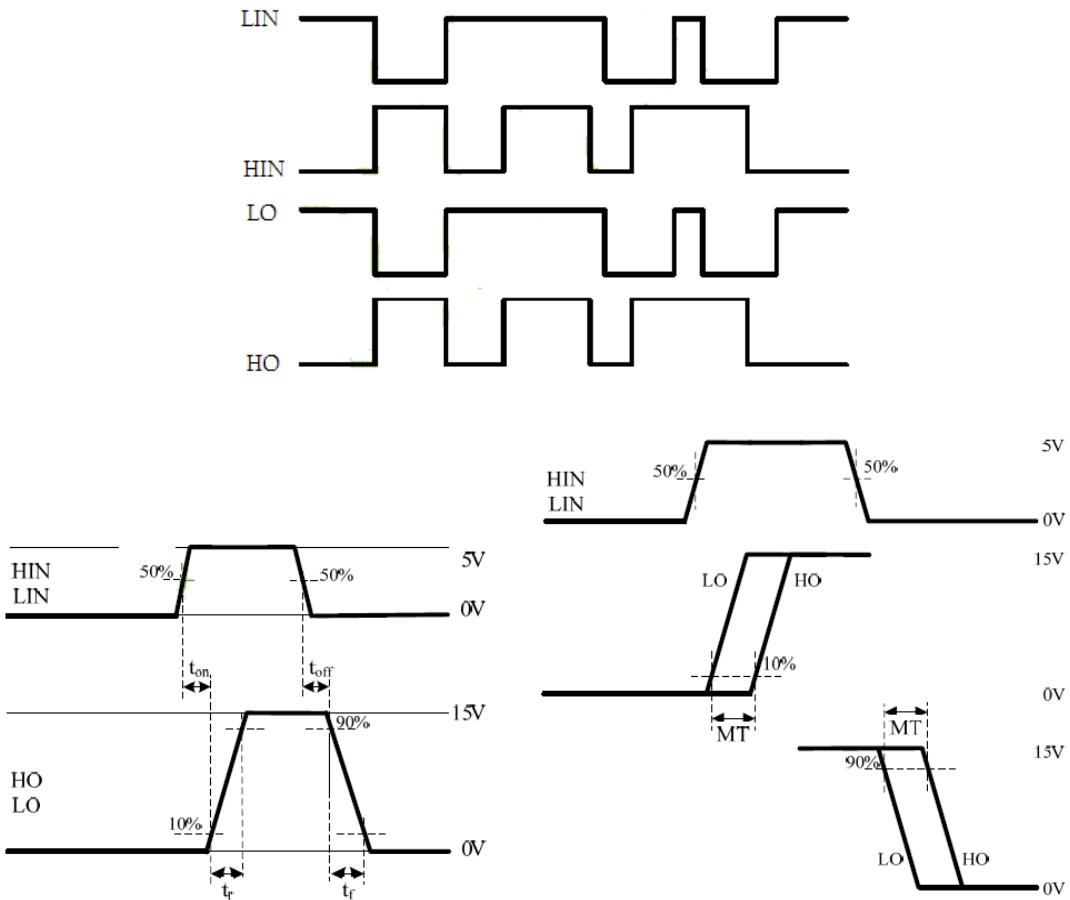
Symbol	Definition	TYP.	MAX.	Units
t _{onH}	High side turn-on propagation delay	200	230	ns
t _{offH}	High side turn-off propagation delay	80	120	
t _{onL}	Low side turn-on propagation delay	90	120	
t _{offL}	Low side turn-off propagation delay	80	110	
MT	Delay matching	100	130	
t _r	Turn-on rise time	70	90	
t _f	Turn-off fall time	60	85	

Static Electrical Characteristics

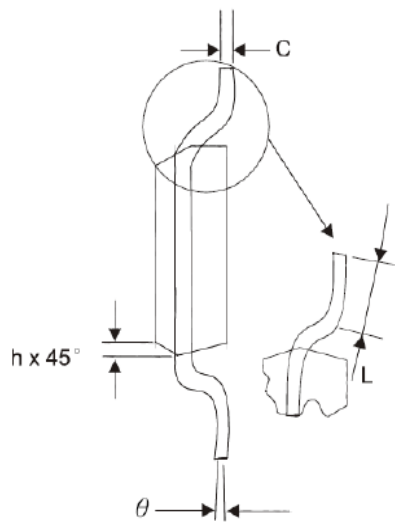
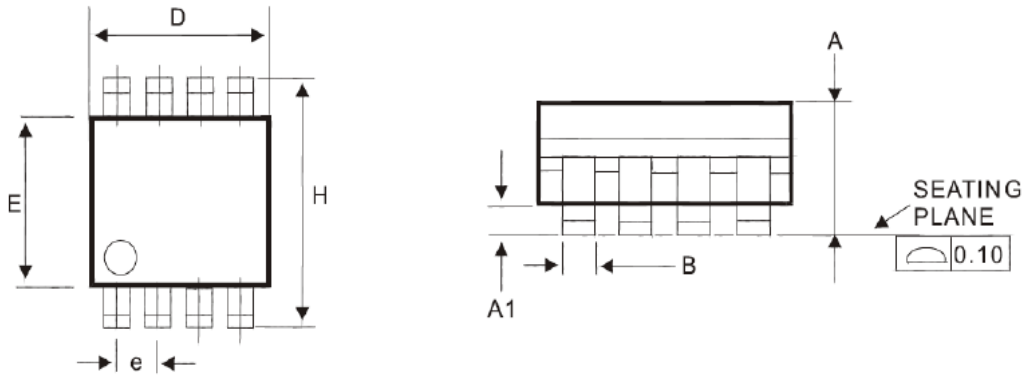
$V_{BIAS}(V_{CC}, V_{BS})=15V, C_L=1000pF, T_A=25^\circ C$

Symbol	Definition	MIN.	TYP.	MAX.	Units
V_{IH}	Logic"1" (HIN&LIN) input voltage	2.5	—	—	V
V_{IL}	Logic"0" (HIN&LIN) input voltage	—	—	0.8	
V_{OH}	High Level output voltage, $V_{BIAS} - V_O$	—	—	0.3	
V_{OL}	Low level output voltage, V_O	—	—	0.3	
I_{QCC}	Quiescent V_{CC} supply current	—	70	100	uA
I_{QBS}	Quiescent V_B supply current	—	300	355	uA
I_{LK}	Leakage current from $V_S(600V)$ to Gnd	—	—	50	
I_{IN+}	Logic"1" input bias current	—	5	10	
I_{IN-}	Logic"0" input bias current	—	—	2	mA
I_{O+}	Output high short circuit pulsed current	—	450	—	
I_{O-}	Output low short circuit pulsed current	—	850	—	

Logic Function & Timing Spec



SOP-8 Package Outline



DIM	MILLIMETERS	
	MIN	MAX
A	1.35	1.75
A1	0.10	0.25
B	0.35	0.49
C	0.18	0.25
D	4.80	5.00
E	3.80	4.00
e	1.27 BSC	
H	5.80	6.20
h	0.25	0.50
L	0.40	1.25
θ	0°	7°