

JZC-42F

SUBMINIATURE INTERMEDIATE POWER RELAY



File No.:E170653



File No.:R2034199



File No.:CQC02001001939



Features

- 5A switching capabilities
- 2 Form A slim type
- Sealed IP67 and Flux proof type available

CONTACT DATA

Contact Arrangement	2A
Initial Contact Resistance Max.	100mΩ (at 1A 6VDC)
Contact Material	AgCdO, AgSnO
Contact Rating (Res. Load)	5A 250VAC 5A 30VDC
Max. switching voltage	250VAC/30VDC
Max. switching current	5A
Max. switching power	1250VA /150W
Mechanical life	1 x 10 ⁶ OPS
Electrical life	1 x 10 ⁶ OPS

COIL

Coil power	0.53W
------------	-------

COIL DATA

Nominal Voltage VDC	Pick-up Voltage VDC	Drop-out Voltage VDC	Max. allowable Voltage VDC(at 20°C)	Coil Resistance Ω
5	3.75	0.25	6.5	47 ± 10%
6	4.50	0.30	7.8	68 ± 10%
9	6.75	0.45	11.7	155 ± 10%
12	9.00	0.60	15.6	270 ± 10%
18	13.5	0.90	23.4	620 ± 10%
24	18.0	1.20	31.2	1080 ± 10%
48	36.0	2.40	62.4	4400 ± 10%

CHARACTERISTICS

Initial Insulation Resistance	1000MΩ (500VDC)	
Dielectric Strength	Between coil and Contacts	4000VAC 1min.
	Between open contacts	1000VAC 1min.
	Between contact sets	1000VAC 1min.
Operate time (at nomi. Volt.)	Max. 15ms	
Release time (at nomi. Volt.)	Max. 10ms	
Temperature rise (at nomi. Volt.)	Max. 55°C	
Humidity	5% to 85%RH	
Ambient temperature	-40°C to +70°C	
Shock Resistance	Functional	100 m/s ²
	Destructive	1000 m/s ²
Vibration Resistance	10 to 55Hz	
Termination	PCB	
Unit weight	Approx. 14.5g	
Construction	Sealed IP67 & Flux proof	

SAFETY APPROVAL RATINGS

UL	5A 250VAC
	5A 30VDC TV-3 125VAC
TÜV	5A 250VAC cos phi=1
	5A 30VDC L/R=0

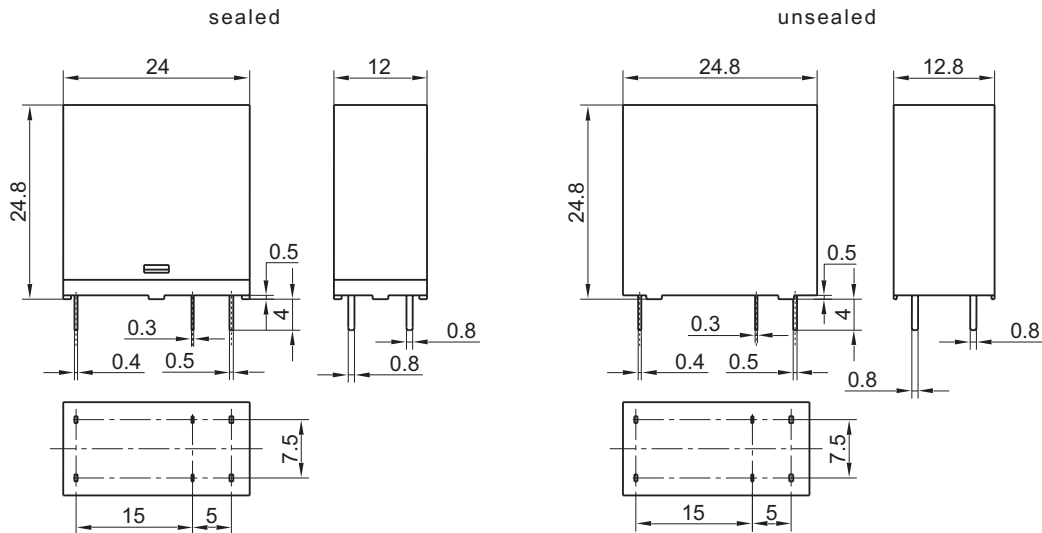


ORDERING INFORMATION

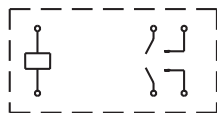
Type	JZC-42F / 012 2H S T
Coil voltage	5, 6, 9, 12, 18, 24, 48VDC
Contact arrangement	2H: 2 Form A
Structure	S: Sealed IP67 Nil: Flux proof
Contact Material	T: AgSnO ₂ Nil: AgCdO

OUTLINE DIMENSIONS, WIRING DIAGRAM AND PC BOARD LAYOUT

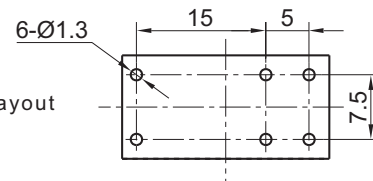
Outline Dimensions



Wiring Diagram



PCB layout



CHARACTERISTICS CURVE

