

## Indexing plungers, Form B

### Item description/product images



### Description

#### Material:

Steel version:  
Indexing pin hardened:  
grade 5.8.

Stainless steel version,  
Indexing pin hardened  
Threaded sleeve 1.4305  
Indexing pin 1.4034

Indexing pin not hardened  
Threaded sleeve 1.4305  
Indexing pin 1.4305

Mushroom knob black grey thermoplastic

#### Version:

Steel version:  
Indexing pin hardened, ground, black oxidised.

Stainless steel version:  
Indexing pin hardened, ground and bright.  
Indexing pin not hardened, ground and bright.

#### Note:

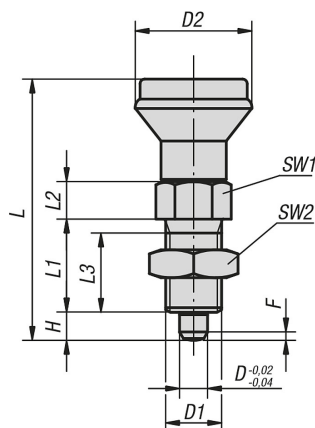
Indexing plungers are used to prevent any change in locking position due to lateral forces. A new locking position can only be set after the pin has been manually disengaged. Form C or D is recommended for applications in which the pin is disengaged over extended periods and should be prevented from springing back.

#### On request:

Special versions and spacer rings.

### Drawings

Form B  
non-lockout type  
with locknut



## Indexing plungers, Form B

### Overview of items

Order No.	Form	Material base	Version	D	D1	D2	L	L1	L2	L3	H	SW1	SW2	F x 30°	Spring force initial pressure F1 approx. N	Spring force final pressure F2 approx. N
K0339.2105	B	Steel	hardened	5	M10x1	21	47	17	7	15	5	13	17	1,3	5	12
K0339.2206	B	Steel	hardened	6	M12x1,5	25	56	20	8	17	6	14	19	1,8	6	14
K0339.2308	B	Steel	hardened	8	M16x1,5	33	74	26	10	23	8	19	24	2,3	15	35
K0339.2410	B	Steel	hardened	10	M20x1,5	33	80	28	12	25	10	22	30	2,8	15	34
K0339.02105	B	Stainless steel	hardened	5	M10x1	21	47	17	7	15	5	13	17	1,3	5	12
K0339.02206	B	Stainless steel	hardened	6	M12x1,5	25	56	20	8	17	6	14	19	1,8	6	14
K0339.02308	B	Stainless steel	hardened	8	M16x1,5	33	74	26	10	23	8	19	24	2,3	15	35
K0339.02410	B	Stainless steel	hardened	10	M20x1,5	33	80	28	12	25	10	22	30	2,8	15	34
K0339.12105	B	Stainless steel	not hardened	5	M10x1	21	47	17	7	15	5	13	17	1,3	5	12
K0339.12206	B	Stainless steel	not hardened	6	M12x1,5	25	56	20	8	17	6	14	19	1,8	6	14
K0339.12308	B	Stainless steel	not hardened	8	M16x1,5	33	74	26	10	23	8	19	24	2,3	15	35
K0339.12410	B	Stainless steel	not hardened	10	M20x1,5	33	80	28	12	25	10	22	30	2,8	15	34