

2SK3460

External dimensions 1 FM20

Absolute Maximum Ratings (Ta = 25°C)

Symbol	Ratings	Unit
V _{DSS}	150	V
V _{GSS}	+20, -10	V
I _D	±18	A
I _D (pulse) *1	±72	A
P _D	35 (T _c = 25°C)	W
EAS *2	180	mJ
I _{AS}	18	A
T _{ch}	150	°C
T _{stg}	-55 to +150	°C

* 1: P_w ≤ 100μs, duty cycle ≤ 1%

* 2: V_{DD} = 25V, L = 930μH, I_{Lp} = 18A, unclamped, R_G = 50Ω, See Figure 1 on Page 5.

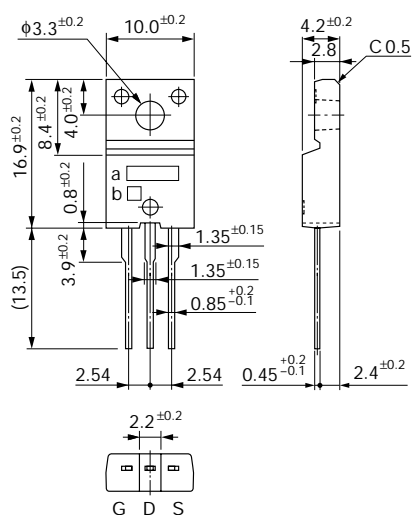
Electrical Characteristics (Ta = 25°C)

Symbol	Ratings			Unit	Conditions
	min	typ	max		
V _{(BR)DSS}	150			V	I _D = 100μA, V _{GS} = 0V
I _{GSS}			±100	nA	V _{GS} = +20V, -10V
I _{DSS}			100	μA	V _{DS} = 150V, V _{GS} = 0V
V _{TH}	1.0		2.0	V	V _{DS} = 10V, I _D = 250μA
Re(yfs)	13	20		S	V _{DS} = 10V, I _D = 9A
R _{DS(on)}		70	95	mΩ	V _{GS} = 10V, I _D = 9A
		80	105		V _{GS} = 4V, I _D = 9A
C _{iss}		1900		pF	V _{DS} = 10V, f = 1.0MHz, V _{GS} = 0V
C _{oss}		630		pF	
C _{rss}		420		pF	
t _{d(on)}		25		ns	
t _r		70		ns	I _D = 9A, V _{DD} ≐ 70V, R _L = 7.8Ω, V _{GS} = 10V, See Figure 2 on Page 5.
t _{d(off)}		160		ns	
t _f		75		ns	
V _{SD}		1.0	1.5	V	I _{SD} = 18A, V _{GS} = 0V
t _{rr}		620		ns	I _{SD} = ±100mA

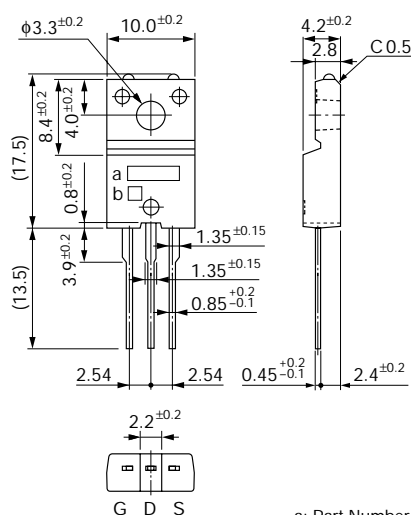
External dimensions (Unit: mm)

① FM20 (TO-220F)

General product



UL approved product

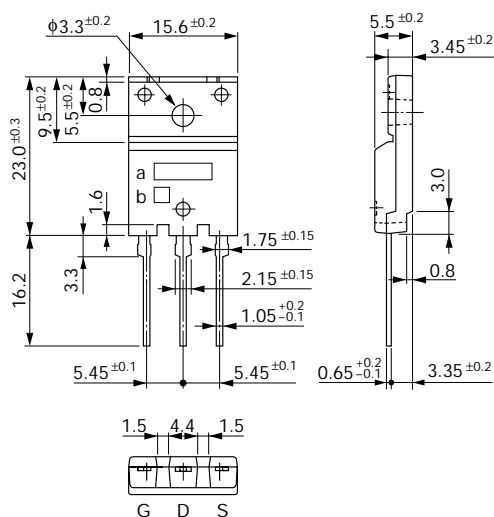


a: Part Number
b: Lot Number

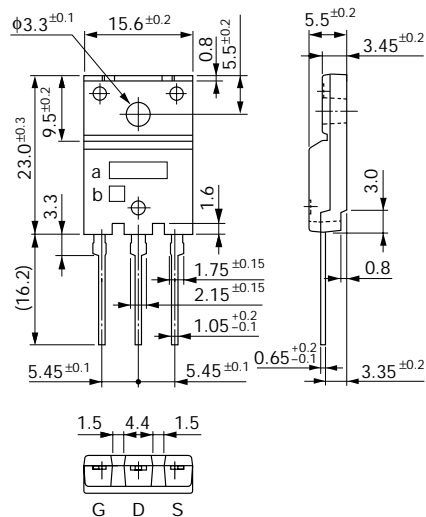
Weight: Approx 2.0g

② FM100 (TO-3PF)

General product



UL approved product



a: Part Number
b: Lot Number

Weight: Approx 6.5g