



## K60 Sub-Family Data Sheet

Supports the following:

MK60N256VLQ100,  
MK60X256VLQ100,  
MK60N512VLQ100,  
MK60N256VMD100,  
MK60X256VMD100,  
MK60N512VMD100

### Features

- Operating Characteristics
  - Voltage range: 1.71 to 3.6 V
  - Flash write voltage range: 1.71 to 3.6 V
  - Temperature range (ambient): -40 to 105°C
- Performance
  - Up to 100 MHz ARM Cortex-M4 core with DSP instructions delivering 1.25 Dhrystone MIPS per MHz
- Memories and memory interfaces
  - Up to 512 KB program flash memory on non-FlexMemory devices
  - Up to 256 KB program flash memory on FlexMemory devices
  - Up to 256 KB FlexNVM on FlexMemory devices
  - 4 KB FlexRAM on FlexMemory devices
  - Up to 128 KB RAM
  - Serial programming interface (EzPort)
  - FlexBus external bus interface
- Clocks
  - 1 to 32 MHz crystal oscillator
  - 32 kHz crystal oscillator
  - Multi-purpose clock generator
- System peripherals
  - 10 low-power modes to provide power optimization based on application requirements
  - Memory protection unit with multi-master protection
  - 16-channel DMA controller, supporting up to 64 request sources
  - External watchdog monitor
  - Software watchdog
  - Low-leakage wakeup unit

## K60P144M100SF2



- Security and integrity modules
  - Hardware CRC module to support fast cyclic redundancy checks
  - Hardware random-number generator
  - Hardware encryption supporting DES, 3DES, AES, MD5, SHA-1, and SHA-256 algorithms
  - 128-bit unique identification (ID) number per chip
- Human-machine interface
  - Low-power hardware touch sensor interface (TSI)
  - General-purpose input/output
- Analog modules
  - 16-bit SAR ADC with PGA (x64)
  - 12-bit DAC
  - Analog comparator (CMP) containing a 6-bit DAC and programmable reference input
  - Voltage reference
- Timers
  - Programmable delay block
  - Eight-channel motor control/general purpose/PWM timers
  - Two-channel quadrature decoder/general purpose timers
  - IEEE 1588 timers
  - Periodic interrupt timers
  - 16-bit low-power timer
  - Carrier modulator transmitter
  - Real-time clock

This document contains information on a product under development. Freescale reserves the right to change or discontinue this product without notice.

© 2010–2010 Freescale Semiconductor, Inc.

Preliminary



- Communication interfaces
  - Ethernet controller with MII and RMII interface to external PHY and hardware IEEE 1588 capability
  - USB full-/low-speed On-the-Go controller with on-chip transceiver
  - Controller Area Network (CAN) module
  - SPI modules
  - I2C modules
  - UART modules
  - Secure Digital host controller (SDHC)
  - I2S

Preliminary

# Table of Contents

1	Ordering parts.....	5	6	Peripheral operating requirements and behaviors.....	20
1.1	Determining valid orderable parts.....	5	6.1	Core modules.....	20
2	Part identification.....	5	6.1.1	Debug trace timing specifications.....	20
2.1	Description.....	5	6.1.2	JTAG electricals.....	21
2.2	Format.....	5	6.2	System modules.....	24
2.3	Fields.....	5	6.3	Clock modules.....	24
2.4	Example.....	6	6.3.1	MCG Specifications.....	24
3	Terminology and guidelines.....	6	6.3.2	Oscillator Electrical Characteristics.....	26
3.1	Definition: Operating requirement.....	6	6.3.2.1	Oscillator DC Electrical Specifications.....	26
3.2	Definition: Operating behavior.....	7	6.3.2.2	Oscillator frequency specifications.....	27
3.3	Definition: Attribute.....	7	6.3.3	32kHz Oscillator Electrical Characteristics.....	28
3.4	Definition: Rating.....	8	6.3.3.1	32kHz Oscillator DC Electrical Specifications.....	28
3.5	Result of exceeding a rating.....	8	6.3.3.2	32kHz Oscillator Frequency Specifications.....	28
3.6	Relationship between ratings and operating requirements.....	8	6.4	Memories and memory interfaces.....	29
3.7	Guidelines for ratings and operating requirements.....	9	6.4.1	Flash (FTFL) Electrical Characteristics.....	29
3.8	Definition: Typical value.....	9	6.4.1.1	Flash Timing Parameters — Program and Erase.....	29
3.9	Typical Value Conditions.....	10	6.4.1.2	Flash Timing Parameters — Commands.....	29
4	Ratings.....	10	6.4.1.3	Flash (FTFL) Current and Power Parameters.....	31
4.1	Thermal handling ratings.....	10	6.4.1.4	Reliability Characteristics.....	31
4.2	Moisture handling ratings.....	11	6.4.1.5	Write Endurance to FlexRAM for EEPROM.....	32
4.3	ESD handling ratings.....	11	6.4.2	EzPort Switching Specifications.....	33
4.4	Voltage and current operating ratings.....	11	6.4.3	Flexbus Switching Specifications.....	34
5	General.....	12	6.5	Security and integrity modules.....	36
5.1	Nonswitching electrical specifications.....	12	6.6	Analog.....	36
5.1.1	Voltage and Current Operating Requirements.....	12	6.6.1	ADC electrical specifications.....	36
5.1.2	LVD and POR operating requirements.....	13	6.6.1.1	16-bit ADC operating conditions.....	37
5.1.3	Voltage and current operating behaviors.....	14	6.6.1.2	16-bit ADC electrical characteristics.....	39
5.1.4	Power mode transition operating behaviors.....	14	6.6.1.3	16-bit ADC with PGA operating conditions.....	42
5.1.5	Power consumption operating behaviors.....	15	6.6.1.4	16-bit ADC with PGA characteristics.....	43
5.1.5.1	Diagram: Typical IDD_RUN operating behavior.....	17	6.6.2	CMP and 6-bit DAC electrical specifications.....	44
5.1.6	EMC radiated emissions operating behaviors.....	18	6.6.3	12-bit DAC electrical characteristics.....	45
5.1.7	Designing with radiated emissions in mind.....	19	6.6.3.1	12-bit DAC operating requirements.....	45
5.1.8	Capacitance attributes.....	19			
5.2	Switching electrical specifications.....	19			
5.3	Thermal specifications.....	19			
5.3.1	Thermal operating requirements.....	20			
5.3.2	Thermal attributes.....	20			

6.6.3.2	12-bit DAC operating behaviors.....	46	6.8.7	SDHC Specifications.....	56
6.6.4	Voltage Reference Electrical Specifications.....	48	6.8.8	I2S Switching Specifications.....	57
6.7	Timers.....	49	6.9	Human-machine interfaces (HMI).....	59
6.8	Communication interfaces.....	49	6.9.1	General Switching Specifications.....	59
6.8.1	Ethernet Switching Specifications.....	50	6.9.2	TSI Electrical Specifications.....	59
6.8.2	USB electrical specifications.....	51	7	Dimensions.....	60
6.8.3	USB DCD Electrical Specifications.....	51	7.1	Obtaining package dimensions.....	60
6.8.4	USB Voltage Regulator Electrical Specifications. .52		8	Pinout.....	61
6.8.5	DSPI Switching Specifications for Low-speed Operation.....	52	8.1	K60 Signal Multiplexing and Pin Assignments.....	61
6.8.6	DSPI Switching Specifications (High-speed mode).....	54	8.2	K60 Pinouts.....	66
			9	Revision History.....	68

Preliminary

# 1 Ordering parts

## 1.1 Determining valid orderable parts

Valid orderable part numbers are provided on the web. To determine the orderable part numbers for this device, go to [www.freescale.com](http://www.freescale.com) and perform a part number search for the following device numbers: PK60 and MK60.

## 2 Part identification

### 2.1 Description

Part numbers for the chip have fields that identify the specific part. You can use the values of these fields to determine the specific part you have received.

### 2.2 Format

Part numbers for this device have the following format:

Q K## M FFF T PP CCC N

### 2.3 Fields

This table lists the possible values for each field in the part number (not all combinations are valid):

Field	Description	Values
Q	Qualification status	<ul style="list-style-type: none"> <li>M = Fully qualified, general market flow</li> <li>P = Prequalification</li> </ul>
K##	Kinetis family	<ul style="list-style-type: none"> <li>K60</li> </ul>
M	Flash memory type	<ul style="list-style-type: none"> <li>N = Program flash only</li> <li>X = Program flash and FlexMemory</li> </ul>

*Table continues on the next page...*

## Terminology and guidelines

Field	Description	Values
FFF	Program flash memory size	<ul style="list-style-type: none"> <li>• 32 = 32 KB</li> <li>• 64 = 64 KB</li> <li>• 128 = 128 KB</li> <li>• 256 = 256 KB</li> <li>• 512 = 512 KB</li> <li>• 1M0 = 1 MB</li> </ul>
T	Temperature range (°C)	<ul style="list-style-type: none"> <li>• V = -40 to 105</li> </ul>
PP	Package identifier	<ul style="list-style-type: none"> <li>• FM = 32 QFN (5 mm x 5 mm)</li> <li>• FT = 48 QFN (7 mm x 7 mm)</li> <li>• LF = 48 LQFP (7 mm x 7 mm)</li> <li>• FX = 64 QFN (9 mm x 9 mm)</li> <li>• LH = 64 LQFP (10 mm x 10 mm)</li> <li>• LK = 80 LQFP (12 mm x 12 mm)</li> <li>• MB = 81 MAPBGA (8 mm x 8 mm)</li> <li>• LL = 100 LQFP (14 mm x 14 mm)</li> <li>• ML = 104 MAPBGA (8 mm x 8 mm)</li> <li>• LQ = 144 LQFP (20 mm x 20 mm)</li> <li>• MD = 144 MAPBGA (13 mm x 13 mm)</li> <li>• MF = 196 MAPBGA (15 mm x 15 mm)</li> <li>• MJ = 256 MAPBGA (17 mm x 17 mm)</li> </ul>
CCC	Maximum CPU frequency (MHz)	<ul style="list-style-type: none"> <li>• 50 = 50 MHz</li> <li>• 72 = 72 MHz</li> <li>• 100 = 100 MHz</li> <li>• 120 = 120 MHz</li> <li>• 150 = 150 MHz</li> </ul>
N	Packaging type	<ul style="list-style-type: none"> <li>• R = Tape and reel</li> <li>• (Blank) = Trays</li> </ul>

## 2.4 Example

This is an example part number:

MK60N512VMD100

## 3 Terminology and guidelines

### 3.1 Definition: Operating requirement

An *operating requirement* is a specified value or range of values for a technical characteristic that you must guarantee during operation to avoid incorrect operation and possibly decreasing the useful life of the chip.

### 3.1.1 Example

This is an example of an operating requirement, which you must meet for the accompanying operating behaviors to be guaranteed:

Symbol	Description	Min.	Max.	Unit
V <sub>DD</sub>	1.0 V core supply voltage	0.9	1.1	V

### 3.2 Definition: Operating behavior

An *operating behavior* is a specified value or range of values for a technical characteristic that are guaranteed during operation if you meet the operating requirements and any other specified conditions.

#### 3.2.1 Example

This is an example of an operating behavior, which is guaranteed if you meet the accompanying operating requirements:

Symbol	Description	Min.	Max.	Unit
I <sub>WP</sub>	Digital I/O weak pullup/pulldown current	10	130	μA

### 3.3 Definition: Attribute

An *attribute* is a specified value or range of values for a technical characteristic that are guaranteed, regardless of whether you meet the operating requirements.

#### 3.3.1 Example

This is an example of an attribute:

www.DataSheet4U.com

Symbol	Description	Min.	Max.	Unit
CIN_D	Input capacitance: digital pins	—	7	pF

### 3.4 Definition: Rating

A *rating* is a minimum or maximum value of a technical characteristic that, if exceeded, may cause permanent chip failure:

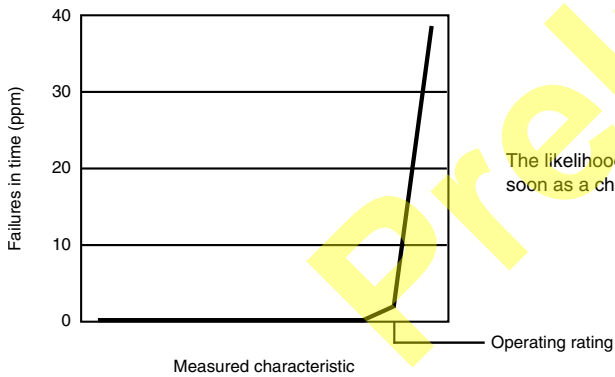
- *Operating ratings* apply during operation of the chip.
- *Handling ratings* apply when the chip is not powered.

#### 3.4.1 Example

This is an example of an operating rating:

Symbol	Description	Min.	Max.	Unit
V <sub>DD</sub>	1.0 V core supply voltage	-0.3	1.2	V

### 3.5 Result of exceeding a rating



The likelihood of permanent chip failure increases rapidly as soon as a characteristic begins to exceed one of its operating ratings.



### 3.6 Relationship between ratings and operating requirements

Operating or handling rating (min.)		Operating requirement (min.)		Operating requirement (max.)		Operating or handling rating (max.)	
<b>Fatal range</b> - Probable permanent failure	<b>Limited operating range</b> - No permanent failure - Possible decreased life - Possible incorrect operation	<b>Normal operating range</b> - No permanent failure - Correct operation	<b>Limited operating range</b> - No permanent failure - Possible decreased life - Possible incorrect operation	<b>Fatal range</b> - Probable permanent failure			
<b>Handling range</b> - No permanent failure							

### 3.7 Guidelines for ratings and operating requirements

Follow these guidelines for ratings and operating requirements:

- Never exceed any of the chip's ratings.
- During normal operation, don't exceed any of the chip's operating requirements.
- If you must exceed an operating requirement at times other than during normal operation (for example, during power sequencing), limit the duration as much as possible.

### 3.8 Definition: Typical value

A *typical value* is a specified value for a technical characteristic that:

- Lies within the range of values specified by the operating behavior
- Given the typical manufacturing process, is representative of that characteristic during operation when you meet the typical-value conditions or other specified conditions

Typical values are provided as design guidelines and are neither tested nor guaranteed.

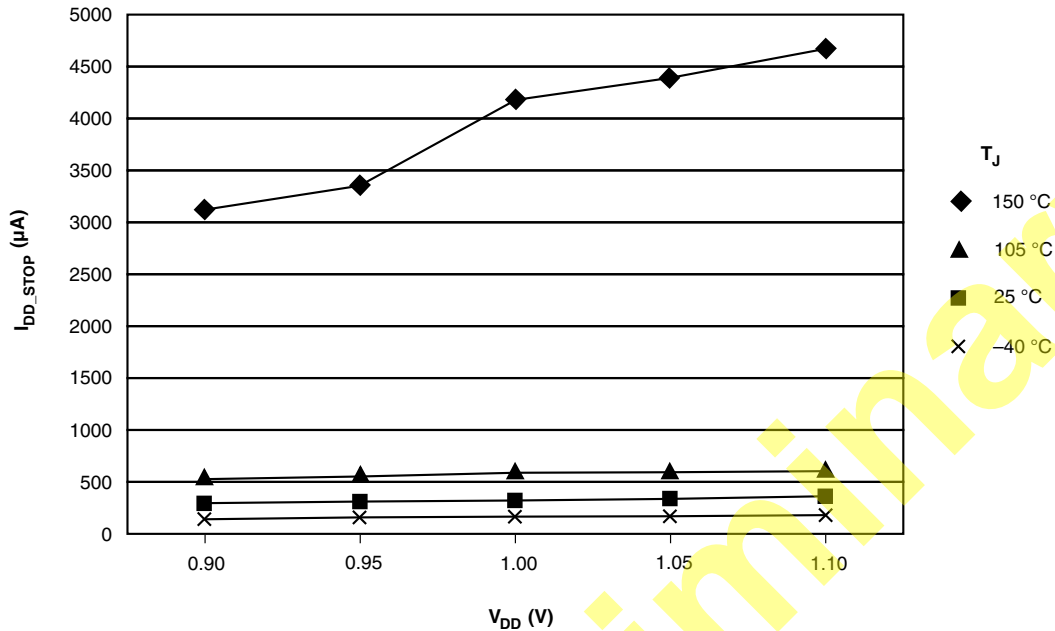
#### 3.8.1 Example 1

This is an example of an operating behavior that includes a typical value:

Symbol	Description	Min.	Typ.	Max.	Unit
I <sub>WP</sub>	Digital I/O weak pullup/pulldown current	10	70	130	μA

### 3.8.2 Example 2

This is an example of a chart that shows typical values for various voltage and temperature conditions:



### 3.9 Typical Value Conditions

Typical values assume you meet the following conditions (or other conditions as specified):

Symbol	Description	Value	Unit
T <sub>A</sub>	Ambient temperature	25	°C
V <sub>DD</sub>	3.3 V supply voltage	3.3	V

## 4 Ratings

## 4.1 Thermal handling ratings

Symbol	Description	Min.	Max.	Unit	Notes
T <sub>STG</sub>	Storage temperature	-55	150	°C	1
T <sub>SDR</sub>	Solder temperature, lead-free	—	260	°C	2
	Solder temperature, leaded	—	245		

1. Determined according to JEDEC Standard JESD22-A103, *High Temperature Storage Life*.
2. Determined according to IPC/JEDEC Standard J-STD-020, *Moisture/Reflow Sensitivity Classification for Nonhermetic Solid State Surface Mount Devices*.

## 4.2 Moisture handling ratings

Symbol	Description	Min.	Max.	Unit	Notes
MSL	Moisture sensitivity level	—	3	—	1

1. Determined according to IPC/JEDEC Standard J-STD-020, *Moisture/Reflow Sensitivity Classification for Nonhermetic Solid State Surface Mount Devices*.

## 4.3 ESD handling ratings

Symbol	Description	Min.	Max.	Unit	Notes
V <sub>HBM</sub>	Electrostatic discharge voltage, human body model	-2000	+2000	V	1
V <sub>CDM</sub>	Electrostatic discharge voltage, charged-device model	-500	+500	V	2
I <sub>LAT</sub>	Latch-up current at ambient temperature of 85°C	-100	+100	mA	

1. Determined according to JEDEC Standard JESD22-A114, *Electrostatic Discharge (ESD) Sensitivity Testing Human Body Model (HBM)*.
2. Determined according to JEDEC Standard JESD22-C101, *Field-Induced Charged-Device Model Test Method for Electrostatic-Discharge-Withstand Thresholds of Microelectronic Components*.

## 4.4 Voltage and current operating ratings

Symbol	Description	Min.	Max.	Unit
V <sub>DD</sub>	Digital supply voltage	-0.3	3.8	V
I <sub>DD</sub>	Digital supply current	—	185	mA
V <sub>DIO</sub>	Digital input voltage (except RESET, EXTAL, and XTAL)	-0.3	5.5	V
V <sub>AIO</sub>	Analog, RESET, EXTAL, and XTAL input voltage	-0.3	V <sub>DD</sub> + 0.3	V

Table continues on the next page...

## General

Symbol	Description	Min.	Max.	Unit
$I_D$	Instantaneous maximum current single pin limit (applies to all port pins)	-25	25	mA
$V_{DDA}$	Analog supply voltage	$V_{DD} - 0.3$	$V_{DD} + 0.3$	V
$I_{DDA}$	Analog supply current <sup>1</sup>	TBD	TBD	mA
$V_{USB\_DP}$	USB_DP input voltage	-0.3	3.63	V
$V_{USB\_DM}$	USB_DM input voltage	-0.3	3.63	V
VREGIN	USB regulator input	-0.3	6.0	V
$V_{BAT}$	RTC battery supply voltage	-0.3	3.8	V
$V_{RAM}$	$V_{DD}$ voltage required to retain RAM	1.2	—	V
$V_{RFVBAT}$	$V_{BAT}$ voltage required to retain the VBAT register file	TBD	—	V

1. The analog supply current is the sum of the active or disabled current for each of the analog modules on the device. See each module's specification for its supply current.

## 5 General

### 5.1 Nonswitching electrical specifications

#### 5.1.1 Voltage and Current Operating Requirements

Table 1. Voltage and current operating requirements

Symbol	Description	Min.	Max.	Unit	Notes
$V_{DD}$	Supply voltage	1.71	3.6	V	
$V_{DDA}$	Analog supply voltage	1.71	3.6	V	
$V_{DD} - V_{DDA}$	$V_{DD}$ -to- $V_{DDA}$ differential voltage	-0.1	0.1	V	
$V_{SS} - V_{SSA}$	$V_{SS}$ -to- $V_{SSA}$ differential voltage	-0.1	0.1	V	
$V_{IH}$	Input high voltage <ul style="list-style-type: none"> <li>• <math>2.7\text{ V} \leq V_{DD} \leq 3.6\text{ V}</math></li> <li>• <math>1.7\text{ V} \leq V_{DD} \leq 2.7\text{ V}</math></li> </ul>	$0.7 \times V_{DD}$	—	V	
		$0.75 \times V_{DD}$	—	V	
$V_{IL}$	Input low voltage <ul style="list-style-type: none"> <li>• <math>2.7\text{ V} \leq V_{DD} \leq 3.6\text{ V}</math></li> <li>• <math>1.7\text{ V} \leq V_{DD} \leq 2.7\text{ V}</math></li> </ul>	—	$0.35 \times V_{DD}$	V	
		—	$0.3 \times V_{DD}$	V	
$V_{HYS}$	Input hysteresis	$0.06 \times V_{DD}$	—	V	

Table continues on the next page...

**Table 1. Voltage and current operating requirements (continued)**

Symbol	Description	Min.	Max.	Unit	Notes
$I_{IC}$	DC injection current — single pin				1
	<ul style="list-style-type: none"> <li><math>V_{IN} &gt; V_{DD}</math></li> <li><math>V_{IN} &lt; V_{SS}</math></li> </ul>	0	2	mA	
		0	-0.2	mA	
	DC injection current — total MCU limit, includes sum of all stressed pins				1
	<ul style="list-style-type: none"> <li><math>V_{IN} &gt; V_{DD}</math></li> <li><math>V_{IN} &lt; V_{SS}</math></li> </ul>	0	25	mA	
		0	-5	mA	

1. All functional non-supply pins are internally clamped to VSS and VDD. Input must be current limited to the value specified. To determine the value of the required current-limiting resistor, calculate resistance values for positive and negative clamp voltages, then use the larger of the two values. Power supply must maintain regulation within operating VDD range during instantaneous and operating maximum current conditions. If positive injection current ( $V_{IN} > V_{DD}$ ) is greater than  $I_{DD}$ , the injection current may flow out of VDD and could result in external power supply going out of regulation. Ensure external VDD load will shunt current greater than maximum injection current. This will be the greatest risk when the MCU is not consuming power. Examples are: if no system clock is present, or if clock rate is very low (which would reduce overall power consumption).

## 5.1.2 LVD and POR operating requirements

**Table 2. LVD and POR operating requirements**

Symbol	Description	Min.	Typ.	Max.	Unit	Notes
$V_{POR}$	Falling VDD POR detect voltage	TBD	1.1	TBD	V	
$V_{LVDH}$	Falling low-voltage detect threshold — high range (LVDV=01)	TBD	2.56	TBD	V	
	Low-voltage warning thresholds — high range					1
$V_{LVW1}$	<ul style="list-style-type: none"> <li>Level 1 falling (LVWV=00)</li> </ul>	TBD	2.70	TBD	V	
$V_{LVW2}$	<ul style="list-style-type: none"> <li>Level 2 falling (LVWV=01)</li> </ul>	TBD	2.80	TBD	V	
$V_{LVW3}$	<ul style="list-style-type: none"> <li>Level 3 falling (LVWV=10)</li> </ul>	TBD	2.90	TBD	V	
$V_{LVW4}$	<ul style="list-style-type: none"> <li>Level 4 falling (LVWV=11)</li> </ul>	TBD	3.00	TBD	V	
$V_{HYS}$	Low-voltage inhibit reset/recover hysteresis — high range		60		mV	
$V_{LVDL}$	Falling low-voltage detect threshold — low range (LVDV=00)	TBD	TBD	TBD	V	
	Low-voltage warning thresholds — low range					1
$V_{LVW1}$	<ul style="list-style-type: none"> <li>Level 1 falling (LVWV=00)</li> </ul>	TBD	1.80	TBD	V	
$V_{LVW2}$	<ul style="list-style-type: none"> <li>Level 2 falling (LVWV=01)</li> </ul>	TBD	1.90	TBD	V	
$V_{LVW3}$	<ul style="list-style-type: none"> <li>Level 3 falling (LVWV=10)</li> </ul>	TBD	2.00	TBD	V	
$V_{LVW4}$	<ul style="list-style-type: none"> <li>Level 4 falling (LVWV=11)</li> </ul>	TBD	2.10	TBD	V	

Table continues on the next page...

**Table 2. LVD and POR operating requirements (continued)**

Symbol	Description	Min.	Typ.	Max.	Unit	Notes
V <sub>HYS</sub>	Low-voltage inhibit reset/recover hysteresis — low range		40		mV	
V <sub>BG</sub>	Bandgap voltage reference	TBD	1.00	TBD	V	
t <sub>LPO</sub>	Internal low power oscillator period factory trimmed	TBD	1000	TBD	μs	

1. Rising thresholds are falling threshold + V<sub>HYS</sub>

### 5.1.3 Voltage and current operating behaviors

**Table 3. Voltage and current operating behaviors**

Symbol	Description	Min.	Max.	Unit	Notes
V <sub>OH</sub>	Output high voltage — high drive strength				
	• 2.7 V ≤ V <sub>DD</sub> ≤ 3.6 V, I <sub>OH</sub> = -10mA	V <sub>DD</sub> - 0.5	—	V	
	• 1.71 V ≤ V <sub>DD</sub> ≤ 2.7 V, I <sub>OH</sub> = -3mA	V <sub>DD</sub> - 0.5	—	V	
	Output high voltage — low drive strength				
• 2.7 V ≤ V <sub>DD</sub> ≤ 3.6 V, I <sub>OH</sub> = -2mA	V <sub>DD</sub> - 0.5	—	V		
• 1.71 V ≤ V <sub>DD</sub> ≤ 2.7 V, I <sub>OH</sub> = -0.6mA	V <sub>DD</sub> - 0.5	—	V		
I <sub>OHT</sub>	Output high current total for all ports	—	100	mA	
V <sub>OL</sub>	Output low voltage — high drive strength				
	• 2.7 V ≤ V <sub>DD</sub> ≤ 3.6 V, I <sub>OL</sub> = 10mA	—	0.5	V	
	• 1.71 V ≤ V <sub>DD</sub> ≤ 2.7 V, I <sub>OL</sub> = 3mA	—	0.5	V	
	Output low voltage — low drive strength				
• 2.7 V ≤ V <sub>DD</sub> ≤ 3.6 V, I <sub>OL</sub> = 2mA	—	0.5	V		
• 1.71 V ≤ V <sub>DD</sub> ≤ 2.7 V, I <sub>OL</sub> = 0.6mA	—	0.5	V		
I <sub>OLT</sub>	Output low current total for all ports	—	100	mA	
I <sub>IN</sub>	Input leakage current (per pin)	—	1	μA	
I <sub>OZ</sub>	Hi-Z (off-state) leakage current (per pin)	—	1	μA	
R <sub>PU</sub> and R <sub>PD</sub>	Internal weak pullup and pulldown resistors	30	50	kΩ	1

1. Measured at V<sub>IL</sub> max and V<sub>DD</sub> min

## 5.1.4 Power mode transition operating behaviors

In the table below, all specifications except  $t_{POR}$ , assume the following clock configuration:

- CPU and system clocks = 100MHz
- Bus and FlexBus clocks = 50 MHz
- Flash clock = 25 MHz

**Table 4. Power mode transition operating behaviors**

Symbol	Description	Min.	Max.	Unit	Notes
$t_{POR}$	After a POR event, amount of time from the point $V_{DD}$ reaches 1.8V to execution of the first instruction across the operating temperature range of the chip.	—	300	$\mu s$	1
	RUN → VLLS1 → RUN				
	• RUN → VLLS1	—	4.1	$\mu s$	
	• VLLS1 → RUN	—	123.8	$\mu s$	
	RUN → VLLS2 → RUN				
	• RUN → VLLS2	—	4.1	$\mu s$	
	• VLLS2 → RUN	—	49.3	$\mu s$	
	RUN → VLLS3 → RUN				
	• RUN → VLLS3	—	4.1	$\mu s$	
	• VLLS3 → RUN	—	49.2	$\mu s$	
	RUN → LLS → RUN				
	• RUN → LLS	—	4.1	$\mu s$	
	• LLS → RUN	—	5.9	$\mu s$	
	RUN → STOP → RUN				
	• RUN → STOP	—	4.1	$\mu s$	
	• STOP → RUN	—	4.2	$\mu s$	
	RUN → VLPS → RUN				
	• RUN → VLPS	—	4.1	$\mu s$	
	• VLPS → RUN	—	5.8	$\mu s$	

1. Normal boot (FTFL\_OPT[LPBOOT]=1)

www.DataSheet4U.com

## 5.1.5 Power consumption operating behaviors

**Table 5. Power consumption operating behaviors**

Symbol	Description	Min.	Typ.	Max.	Unit	Notes
I <sub>DD_RUN</sub>	Run mode current — all peripheral clocks disabled, code executing from flash <ul style="list-style-type: none"> <li>@ 1.8V</li> <li>@ 3.0V</li> </ul>	—	40	TBD	mA	1
		—	42	TBD	mA	
I <sub>DD_RUN</sub>	Run mode current — all peripheral clocks enabled, code executing from flash <ul style="list-style-type: none"> <li>@ 1.8V</li> <li>@ 3.0V</li> </ul>	—	55	TBD	mA	2
		—	56	TBD	mA	
I <sub>DD_RUN_M</sub> AX	Run mode current — all peripheral clocks enabled and peripherals active, code executing from flash <ul style="list-style-type: none"> <li>@ 1.8V</li> <li>@ 3.0V</li> </ul>	—	85	TBD	mA	3
		—	85	TBD	mA	
I <sub>DD_WAIT</sub>	Wait mode current at 3.0 V — all peripheral clocks disabled	—	15	TBD	mA	4
I <sub>DD_STOP</sub>	Stop mode current at 3.0 V	—	1.4	TBD	mA	
I <sub>DD_VLPR</sub>	Very-low-power run mode current at 3.0 V — all peripheral clocks disabled	—	1.25	TBD	mA	5
I <sub>DD_VLPR</sub>	Very-low-power run mode current at 3.0 V — all peripheral clocks enabled	—	TBD	TBD	mA	6
I <sub>DD_VLPW</sub>	Very-low-power wait mode current at 3.0 V	—	1.05	TBD	mA	7
I <sub>DD_VLPS</sub>	Very-low-power stop mode current at 3.0 V	—	30	TBD	μA	
I <sub>DD_LLS</sub>	Low leakage stop mode current at 3.0 V	—	12	TBD	μA	
I <sub>DD_VLLS3</sub>	Very low-leakage stop mode 3 current at 3.0 V <ul style="list-style-type: none"> <li>128KB RAM devices</li> <li>64KB RAM devices</li> </ul>	—	8	TBD	μA	
		—	6	TBD	μA	
I <sub>DD_VLLS2</sub>	Very low-leakage stop mode 2 current at 3.0 V	—	4	TBD	μA	
I <sub>DD_VLLS1</sub>	Very low-leakage stop mode 1 current at 3.0 V	—	2	TBD	μA	
I <sub>DD_VBAT</sub>	Average current when CPU is not accessing RTC registers at 3.0 V	—	550	TBD	nA	

- 100MHz core and system clock, 50MHz bus and FlexBus clock, and 25MHz flash clock. MCG configured for FEI mode. All peripheral clocks disabled.
- 100MHz core and system clock, 50MHz bus and FlexBus clocks, and 25MHz flash clock. MCG configured for FEI mode. All peripheral clocks enabled, but peripherals are not in active operation.
- 100MHz core and system clock, 50MHz bus and FlexBus clocks, and 25MHz flash clock. MCG configured for FEI mode. All peripheral clocks enabled, and peripherals are in active operation.
- 25MHz core and system clock, 25MHz bus clock, and 12.5MHz FlexBus and flash clocks. MCG configured for FEI mode.
- 2 MHz core, system, bus and FlexBus clock and 1MHz flash clock. MCG configured for fast IRCLK mode. All peripheral clocks disabled. Code executing from flash.

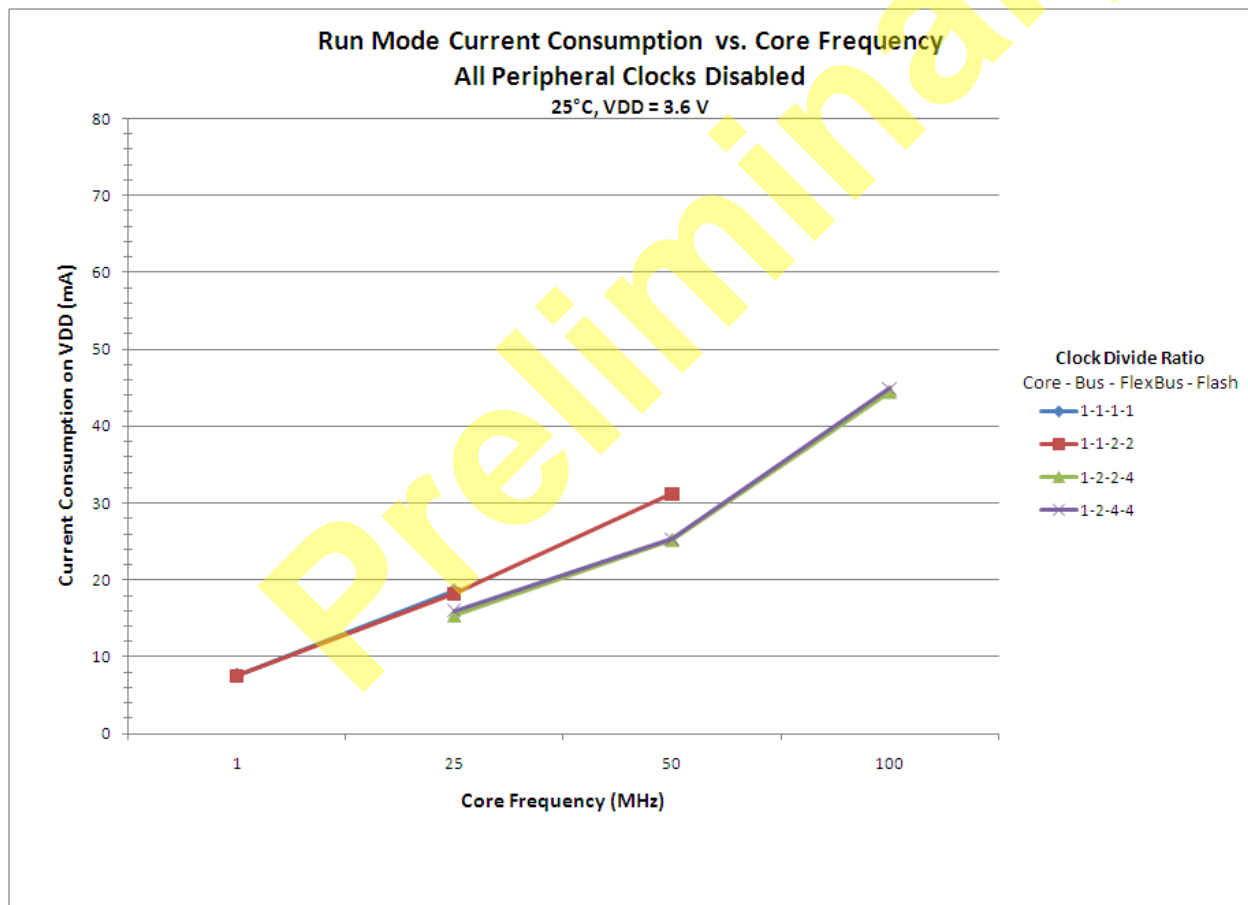


6. 2 MHz core, system, bus and FlexBus clock and 1MHz flash clock. MCG configured for fast IRCLK mode. All peripheral clocks enabled but peripherals are not in active operation. Code executing from flash.
7. 2 MHz core, system, bus and FlexBus clock and 1MHz flash clock. MCG configured for fast IRCLK mode. All peripheral clocks disabled.

### 5.1.5.1 Diagram: Typical IDD\_RUN operating behavior

The following data was measured under these conditions:

- MCG in FEI mode (39.0625 kHz IRC), except for 1 MHz core (FBE)
- All peripheral clocks disabled except FTFL
- LVD disabled, USB regulator disabled
- No GPIOs toggled
- Code execution from flash



**Figure 1. Run mode supply current vs. core frequency — all peripheral clocks disabled**

www.DataSheet4U.com

The following data was measured under these conditions:

- MCG in FEI mode (39.0625 kHz IRC), except for 1 MHz core (FBE)
- All peripheral clocks enabled but peripherals are not in active operation
- LVD disabled, USB regulator disabled

## General

- No GPIOs toggled
- Code execution from flash

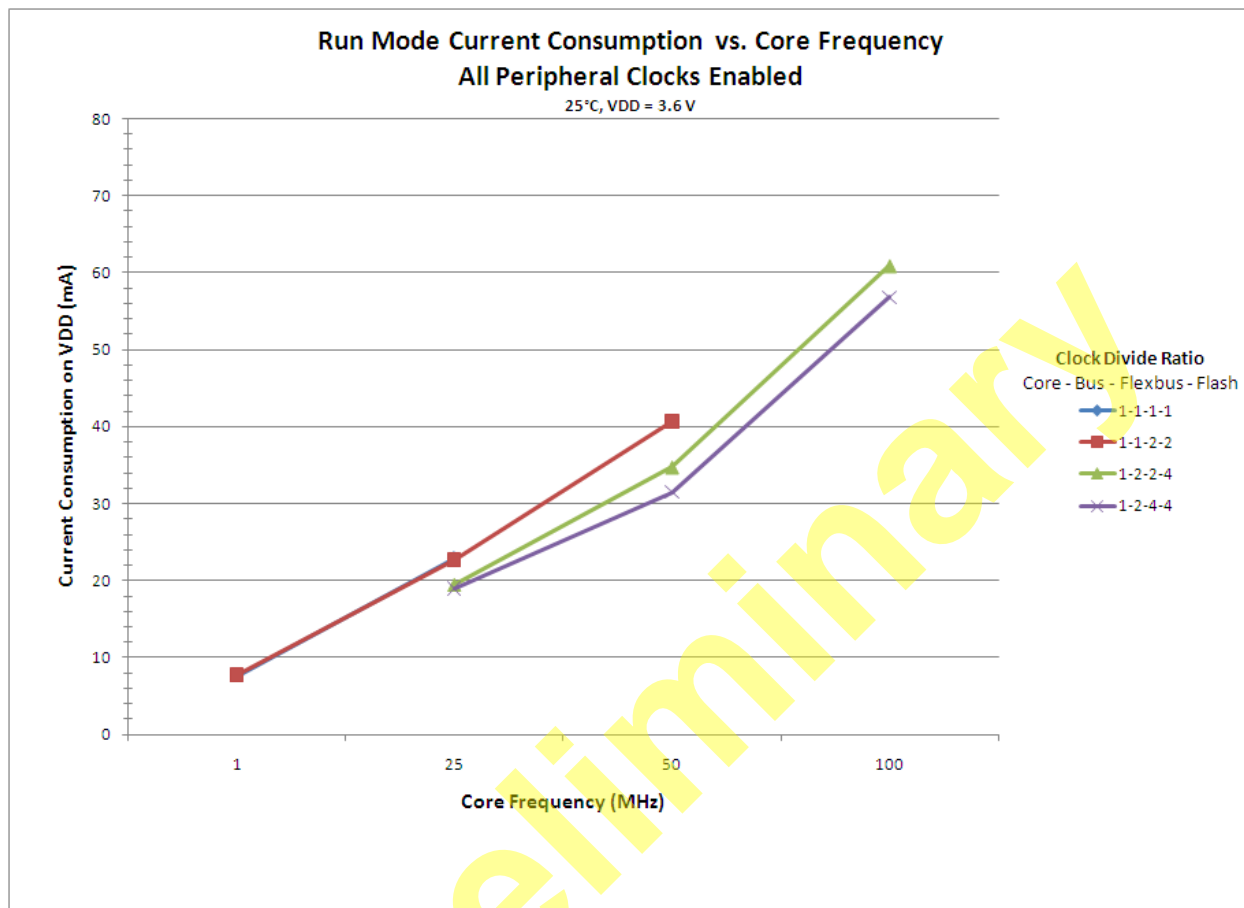


Figure 2. Run mode supply current vs. core frequency — all peripheral clocks enabled

## 5.1.6 EMC radiated emissions operating behaviors

Table 6. EMC radiated emissions operating behaviors

Symbol	Description	Frequency band (MHz)	Typ.	Unit	Notes
V <sub>RE1</sub>	Radiated emissions voltage, band 1	0.15–50	TBD	dBμV	1, 2
V <sub>RE2</sub>	Radiated emissions voltage, band 2	50–150	TBD		
V <sub>RE3</sub>	Radiated emissions voltage, band 3	150–500	TBD		
V <sub>RE4</sub>	Radiated emissions voltage, band 4	500–1000	TBD		
V <sub>RE_IEC_SAE</sub>	IEC and SAE level	0.15–1000	TBD	—	2, 3

1. Determined according to IEC Standard 61967-1, *Integrated Circuits - Measurement of Electromagnetic Emissions, 150 kHz to 1 GHz Part 1: General Conditions and Definitions*, IEC Standard 61967-2, *Integrated Circuits - Measurement of Electromagnetic Emissions, 150 kHz to 1 GHz Part 2: Measurement of Radiated Emissions—TEM Cell and Wideband TEM Cell Method*, and SAE Standard J1752-3, *Measurement of Radiated Emissions from Integrated Circuits—TEM/ Wideband TEM (GTEM) Cell Method*.

- $V_{DD} = 3\text{ V}$ ,  $T_A = 25\text{ }^\circ\text{C}$ ,  $f_{OSC} = 16\text{ MHz}$  (crystal),  $f_{BUS} = 20\text{ MHz}$
- Specified according to Annex D of IEC Standard 61967-2, *Measurement of Radiated Emissions—TEM Cell and Wideband TEM Cell Method*, and Appendix D of SAE Standard J1752-3, *Measurement of Radiated Emissions from Integrated Circuits—TEM/Wideband TEM (GTEM) Cell Method*.

### 5.1.7 Designing with radiated emissions in mind

- To find application notes that provide guidance on designing your system to minimize interference from radiated emissions, go to [www.freescale.com](http://www.freescale.com) and perform a keyword search for “EMC design.”

### 5.1.8 Capacitance attributes

Table 7. Capacitance attributes

Symbol	Description	Min.	Max.	Unit
$C_{IN\_A}$	Input capacitance: analog pins	—	7	pF
$C_{IN\_D}$	Input capacitance: digital pins	—	7	pF

## 5.2 Switching electrical specifications

Table 8. Device clock specifications

Symbol	Description	Min.	Max.	Unit	Notes
Normal run mode					
$f_{SYS}$	System and core clock	—	100	MHz	
$f_{BUS}$	Bus clock	—	50	MHz	
FB_CLK	FlexBus clock	—	50	MHz	
$f_{FLASH}$	Flash clock	—	25	MHz	
VLPR mode					
$f_{SYS}$	System and core clock	—	2	MHz	
$f_{BUS}$	Bus clock	—	2	MHz	
FB_CLK	FlexBus clock	—	2	MHz	
$f_{FLASH}$	Flash clock	—	1	MHz	

## 5.3 Thermal specifications

### 5.3.1 Thermal operating requirements

Table 9. Thermal operating requirements

Symbol	Description	Min.	Max.	Unit
$T_J$	Die junction temperature	-40	125	°C
$T_A$	Ambient temperature	-40	105	°C

### 5.3.2 Thermal attributes

Board type	Symbol	Description	144 LQFP	144 MAPBGA	Unit	Notes
Single-layer (1s)	$R_{\theta JA}$	Thermal resistance, junction to ambient (natural convection)	52	50	°C/W	1
Four-layer (2s2p)	$R_{\theta JA}$	Thermal resistance, junction to ambient (natural convection)	44	30	°C/W	1
Single-layer (1s)	$R_{\theta JMA}$	Thermal resistance, junction to ambient (200 ft./min. air speed)	43	41	°C/W	1
Four-layer (2s2p)	$R_{\theta JMA}$	Thermal resistance, junction to ambient (200 ft./min. air speed)	38	27	°C/W	1
—	$R_{\theta JB}$	Thermal resistance, junction to board	33	17	°C/W	2
—	$R_{\theta JC}$	Thermal resistance, junction to case	11	10	°C/W	3
—	$\Psi_{JT}$	Thermal characterization parameter, junction to package top outside center (natural convection)	2	2	°C/W	4

## 6 Peripheral operating requirements and behaviors

### 6.1 Core modules

1. Determined according to JEDEC Standard JESD51-2, *Integrated Circuits Thermal Test Method Environmental Conditions—Natural Convection (Still Air)*, or EIA/JEDEC Standard JESD51-6, *Integrated Circuit Thermal Test Method Environmental Conditions—Forced Convection (Moving Air)*.
2. Determined according to JEDEC Standard JESD51-8, *Integrated Circuit Thermal Test Method Environmental Conditions—Junction-to-Board*.
3. Determined according to Method 1012.1 of MIL-STD 883, *Test Method Standard, Microcircuits*, with the cold plate temperature used for the case temperature. The value includes the thermal resistance of the interface material between the top of the package and the cold plate.
4. Determined according to JEDEC Standard JESD51-2, *Integrated Circuits Thermal Test Method Environmental Conditions—Natural Convection (Still Air)*.

## 6.1.1 Debug trace timing specifications

Table 10. Debug trace operating behaviors

Symbol	Description	Min.	Max.	Unit
$T_{cyc}$	Clock period	Frequency dependent		MHz
$T_{wl}$	Low pulse width	2	—	ns
$T_{wh}$	High pulse width	2	—	ns
$T_r$	Clock and data rise time	—	3	ns
$T_f$	Clock and data fall time	—	3	ns
$T_s$	Data setup	3	—	ns
$T_h$	Data hold	2	—	ns

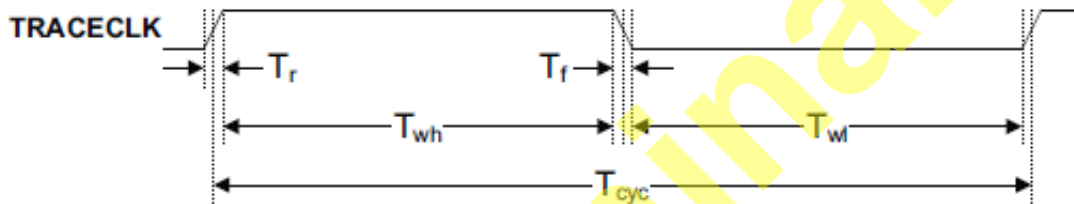


Figure 3. TRACE\_CLKOUT specifications

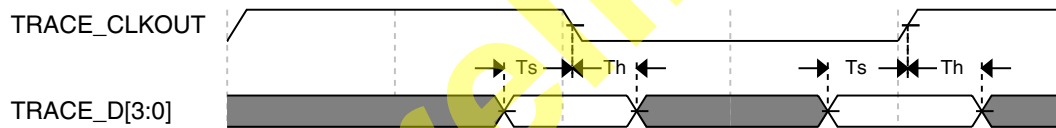


Figure 4. Trace data specifications

## 6.1.2 JTAG electricals

Table 11. JTAG electricals

Symbol	Description	Min.	Max.	Unit
	Operating voltage	2.7	3.6	V
J1	TCLK frequency of operation <ul style="list-style-type: none"> <li>JTAG and CJTAG</li> <li>Serial Wire Debug</li> </ul>	0	25	MHz
J2	TCLK cycle period	1/J1	—	ns

Table continues on the next page...

Table 11. JTAG electricals (continued)

Symbol	Description	Min.	Max.	Unit
J3	TCLK clock pulse width <ul style="list-style-type: none"> <li>JTAG and CJTAG</li> <li>Serial Wire Debug</li> </ul>	20	—	ns
J4	TCLK rise and fall times	—	3	ns
J5	Boundary scan input data setup time to TCLK rise	20	—	ns
J6	Boundary scan input data hold time after TCLK rise	0	—	ns
J7	TCLK low to boundary scan output data valid	—	30	ns
J8	TCLK low to boundary scan output high-Z	—	30	ns
J9	TMS, TDI input data setup time to TCLK rise	16	—	ns
J10	TMS, TDI input data hold time after TCLK rise	1	—	ns
J11	TCLK low to TDO data valid	—	4	ns
J12	TCLK low to TDO high-Z	—	4	ns
J13	$\overline{\text{TRST}}$ assert time	100	—	ns
J14	$\overline{\text{TRST}}$ setup time (negation) to TCLK high	8	—	ns

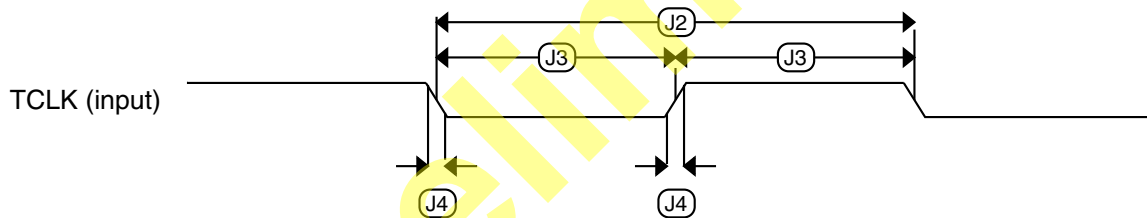


Figure 5. Test clock input timing

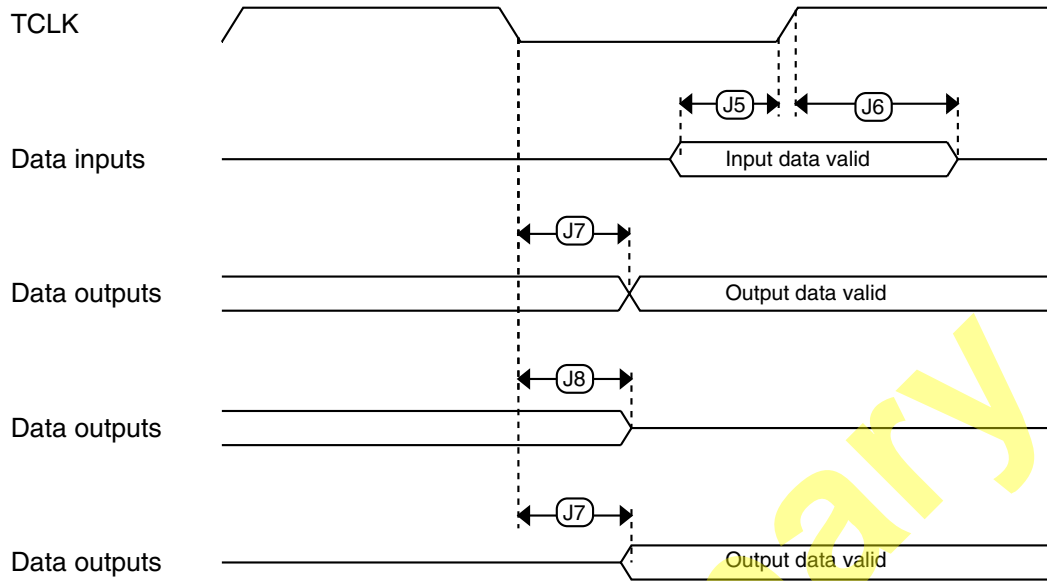


Figure 6. Boundary scan (JTAG) timing

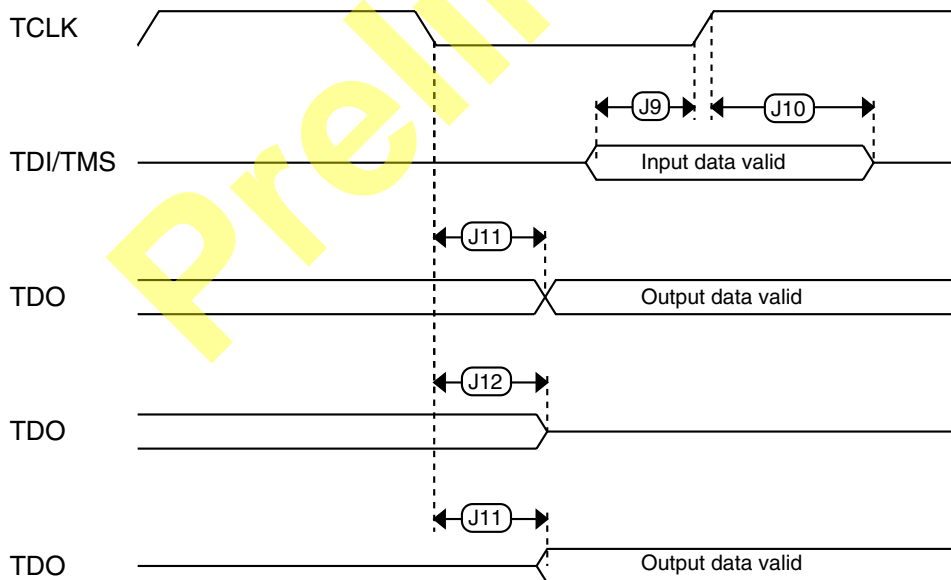


Figure 7. Test Access Port timing

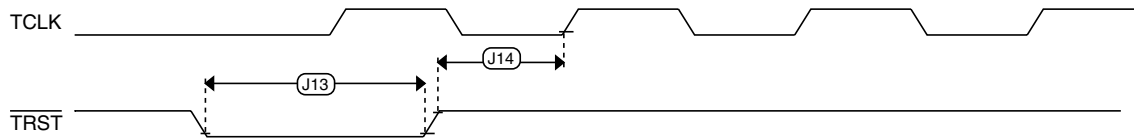


Figure 8. TRST timing

## 6.2 System modules

There are no specifications necessary for the device's system modules.

## 6.3 Clock modules

### 6.3.1 MCG Specifications

Table 12. MCG specifications

Symbol	Description	Min.	Typ.	Max.	Unit	Notes
$f_{ints\_ft}$	Internal reference frequency (slow clock) — factory trimmed at nominal VDD and 25°C	—	32.768	—	kHz	
$f_{ints\_t}$	Internal reference frequency (slow clock) — user trimmed	31.25	—	39.0625	kHz	
$t_{irefsts}$	Internal reference (slow clock) startup time	—	TBD	4	μs	
$\Delta f_{dco\_res\_t}$	Resolution of trimmed DCO output frequency at fixed voltage and temperature — using SCTRIM and SCFTRIM	—	± 0.1	± 0.3	% $f_{dco}$	
$\Delta f_{dco\_res\_t}$	Resolution of trimmed DCO output frequency at fixed voltage and temperature — using SCTRIM only	—	± 0.2	± 0.5	% $f_{dco}$	
$\Delta f_{dco\_t}$	Total deviation of trimmed DCO output frequency over voltage and temperature	—	+ 0.5 - 1.0	± 3.5	% $f_{dco}$	
$\Delta f_{dco\_t}$	Total deviation of trimmed DCO output frequency over fixed voltage and temperature range of 0–70°C	—	± 0.5	± TBD	% $f_{dco}$	
$f_{intf\_ft}$	Internal reference frequency (fast clock) — factory trimmed at nominal VDD and 25°C	3.875	4	4.125	MHz	
$f_{intf\_t}$	Internal reference frequency (fast clock) — user trimmed	3	—	5	MHz	

Table continues on the next page...



Table 12. MCG specifications (continued)

Symbol	Description	Min.	Typ.	Max.	Unit	Notes	
$t_{\text{irefstf}}$	Internal reference startup time (fast clock)	—	TBD	TBD	$\mu\text{s}$		
$f_{\text{loc\_low}}$	Loss of external clock minimum frequency — RANGE = 00	$(3/5) \times f_{\text{ints\_t}}$	—	—	kHz		
$f_{\text{loc\_high}}$	Loss of external clock minimum frequency — RANGE = 01, 10, or 11	$(16/5) \times f_{\text{ints\_t}}$	—	—	kHz		
FLL							
$f_{\text{dco\_t}}$	DCO output frequency range — user trimmed and DMX32=0	Low range (DRS=00) $640 \times f_{\text{ints\_t}}$	20	20.97	25	MHz	1, 2
		Mid range (DRS=01) $1280 \times f_{\text{ints\_t}}$	40	41.94	50	MHz	
		Mid-high range (DRS=10) $1920 \times f_{\text{ints\_t}}$	60	62.91	75	MHz	
		High range (DRS=11) $2560 \times f_{\text{ints\_t}}$	80	83.89	100	MHz	
$f_{\text{dco\_t\_DMX32}}_2$	DCO output frequency range — reference = 32,768Hz and DMX32=1	Low range (DRS=00) $732 \times f_{\text{ints\_t}}$	—	23.99	—	MHz	3
		Mid range (DRS=01) $1464 \times f_{\text{ints\_t}}$	—	47.97	—	MHz	
		Mid-high range (DRS=10) $2197 \times f_{\text{ints\_t}}$	—	71.99	—	MHz	
		High range (DRS=11) $2929 \times f_{\text{ints\_t}}$	—	95.98	—	MHz	
$J_{\text{cyc\_fll}}$	FLL period jitter	—	TBD	TBD	ps	4	
$J_{\text{acc\_fll}}$	FLL accumulated jitter of DCO output over a 1 $\mu\text{s}$ time window	—	TBD	TBD	ps		
$t_{\text{fll\_acquire}}$	FLL target frequency acquisition time	—	—	1	ms	5	
PLL							
$f_{\text{vco}}$	VCO operating frequency	48.0	—	100	MHz		
$f_{\text{pll\_ref}}$	PLL reference frequency range	2.0	—	4.0	MHz		
$J_{\text{cyc\_pll}}$	PLL period jitter	—	400	—	ps	6, 7	
$J_{\text{acc\_pll}}$	PLL accumulated jitter over 1 $\mu\text{s}$ window	—	TBD	—	ps	6, 7	
$D_{\text{lock}}$	Lock entry frequency tolerance	$\pm 1.49$	—	$\pm 2.98$	%		
$D_{\text{unl}}$	Lock exit frequency tolerance	$\pm 4.47$	—	$\pm 5.97$	%		
$t_{\text{pll\_lock}}$	Lock detector detection time	—	—	$0.15 + 1075(1/f_{\text{pll\_ref}})$	ms	8	

1. The resulting system clock frequencies should not exceed their maximum specified values.

## Peripheral operating requirements and behaviors

2. This specification includes the 2% precision of the internal reference frequency (slow clock).
3. The resulting clock frequency must not exceed the maximum specified clock frequency of the device.
4. This specification was obtained at TBD frequency.
5. This specification applies to any time the FLL reference source or reference divider is changed, trim value is changed, DMX32 bit is changed, DRS bits are changed, or changing from FLL disabled (BLPE, BLPI) to FLL enabled (FEI, FEE, FBE, FBI). If a crystal/resonator is being used as the reference, this specification assumes it is already running.
6. This specification was obtained using a Freescale developed PCB. PLL jitter is dependent on the noise characteristics of each PCB and results will vary.
7. This specification was obtained at internal frequency of TBD.
8. This specification applies to any time the PLL VCO divider or reference divider is changed, or changing from PLL disabled (BLPE, BLPI) to PLL enabled (PBE, PEE). If a crystal/resonator is being used as the reference, this specification assumes it is already running.

## 6.3.2 Oscillator Electrical Characteristics

This section provides the electrical characteristics of the module.

### 6.3.2.1 Oscillator DC Electrical Specifications

**Table 13. Oscillator DC electrical specifications, ( $V_{SSOSC} = 0 V_{DC}$ ) ( $T_A = T_L$  to  $T_H$ )**

Symbol	Description	Min.	Typ.	Max.	Unit	Notes
$V_{DD33OSC}$	3.3 V supply voltage	1.71	—	3.6	V	
$I_{DDOSC}$	Supply current — low-power mode <ul style="list-style-type: none"> <li>• 32 kHz</li> <li>• 1 MHz</li> <li>• 4 MHz</li> <li>• 8 MHz</li> <li>• 16 MHz</li> <li>• 24 MHz</li> <li>• 32 MHz</li> </ul>	—	500	—	nA	1
		—	100	—	$\mu$ A	
		—	200	—	$\mu$ A	
		—	300	—	$\mu$ A	
		—	700	—	$\mu$ A	
		—	1.2	—	mA	
		—	1.5	—	mA	
$I_{DDOSC}$	Supply current — high gain mode <ul style="list-style-type: none"> <li>• 32 kHz</li> <li>• 1 MHz</li> <li>• 4 MHz</li> <li>• 8 MHz</li> <li>• 16 MHz</li> <li>• 24 MHz</li> <li>• 32 MHz</li> </ul>	—	25	—	$\mu$ A	1
		—	200	—	$\mu$ A	
		—	400	—	$\mu$ A	
		—	800	—	$\mu$ A	
		—	1.5	—	mA	
		—	3	—	mA	
		—	4	—	mA	
$C_x$	EXTAL load capacitance	—	—	—		2, 3
$C_y$	XTAL load capacitance	—	—	—		2, 3

Table continues on the next page...

**Table 13. Oscillator DC electrical specifications, ( $V_{SSOSC} = 0 V_{DC}$ ) ( $T_A = T_L$  to  $T_H$ ) (continued)**

Symbol	Description	Min.	Typ.	Max.	Unit	Notes
$R_F$	Feedback resistor — low-frequency, low-power mode	—	—	—	M $\Omega$	2, 3
	Feedback resistor — low-frequency, high-gain mode	—	10	—	M $\Omega$	
	Feedback resistor — high-frequency, low-power mode (1 – 8 MHz, 8 – 32 MHz)	—	—	—	M $\Omega$	
	Feedback resistor — high-frequency, high-gain mode (1 – 8 MHz, 8 – 32 MHz)	—	1	—	M $\Omega$	
$R_S$	Series resistor — low-frequency, low-power mode	—	—	—	k $\Omega$	
	Series resistor — low-frequency, high-gain mode	—	200	—	k $\Omega$	
	Series resistor — high-frequency, low-power mode	—	—	—	k $\Omega$	
	Series resistor — high-frequency, high-gain mode					
	• 1 MHz resonator	—	6.6	—	k $\Omega$	
	• 2 MHz resonator	—	3.3	—	k $\Omega$	
	• 4 MHz resonator	—	0	—	k $\Omega$	
	• 8 MHz resonator	—	0	—	k $\Omega$	
• 16 MHz resonator	—	0	—	k $\Omega$		
• 20 MHz resonator	—	0	—	k $\Omega$		
• 32 MHz resonator	—	0	—	k $\Omega$		
$V_{pp}$	Peak-to-peak amplitude of oscillation (oscillator mode) — low-frequency, low-power mode	—	0.6	—	V	
	Peak-to-peak amplitude of oscillation (oscillator mode) — low-frequency, high-gain mode	$0.75 \times V_{DD33OSC}$	$V_{DD33OSC}$	—	V	
	Peak-to-peak amplitude of oscillation (oscillator mode) — high-frequency, low-power mode	—	0.6	—	V	
	Peak-to-peak amplitude of oscillation (oscillator mode) — high-frequency, high-gain mode	$0.75 \times V_{DD33OSC}$	$V_{DD33OSC}$	—	V	

- $V_{DD33OSC} = 3.3 V$ , Temperature = 27 °C,  $C_x/C_y = 20 pF$
- See crystal or resonator manufacturer's recommendation
- $R_F$  and  $C_x, C_y$  are integrated in low-frequency, low-power mode and must not be attached externally

### 6.3.2.2 Oscillator frequency specifications

**Table 14. Oscillator frequency specifications, ( $V_{DD33OSC} = V_{DD33OSC}(\min)$  to  $V_{DD33OSC}(\max)$ ,  $T_A = T_L$  to  $T_H$ )**

Symbol	Description	Min.	Typ.	Max.	Unit	Notes
$f_{osc\_lo}$	Oscillator crystal or resonator frequency — low frequency mode	32	—	40	kHz	
$f_{osc\_hi\_1}$	Oscillator crystal or resonator frequency — high frequency mode (low range)	1	—	8	MHz	
$f_{osc\_hi\_2}$	Oscillator crystal or resonator frequency — high frequency mode (high range)	8	—	32	MHz	
$t_{dc\_extal}$	Input clock duty cycle (external clock mode)	40	50	60	%	
$t_{cst}$	Crystal start-up time — 32 kHz low-frequency, low-power mode	—	TBD	—	ms	1, 2, 3
	Crystal start-up time — 32 kHz low-frequency, high-gain mode	—	800	—	ms	
	Crystal start-up time — 8 MHz high-frequency, low-power mode	—	4	—	ms	
	Crystal start-up time — 8 MHz high-frequency, high-gain mode	—	3	—	ms	

1. This parameter is characterized before qualification rather than 100% tested.
2. Proper PC board layout procedures must be followed to achieve specifications.
3. Crystal start up time is defined as the time between the oscillator being enabled and the OSCINIT bit in the MCG\_S register being set.

### 6.3.3 32kHz Oscillator Electrical Characteristics

This section describes the module electrical characteristics.

#### 6.3.3.1 32kHz Oscillator DC Electrical Specifications

**Table 15. 32kHz Oscillator Module DC Electrical Specifications ( $V_{SSOSC} = 0 V_{DC}$ ) ( $T_A = T_L$  to  $T_H$ )**

Symbol	Description	Min.	Typ.	Max.	Unit
$V_{BAT}$	Supply voltage	1.71	—	3.6	V
$R_F$	Internal feedback resistor	—	100	—	M $\Omega$
$C_{para}$	Parasitical capacitance of EXTAL32 and XTAL32	—	2.5	—	pF
$C_{load}$	Internal load capacitance (programmable)	—	15	—	pF
$V_{pp}$	Peak-to-peak amplitude of oscillation	—	0.6	—	V

### 6.3.3.2 32kHz Oscillator Frequency Specifications

**Table 16. 32kHz oscillator frequency specifications ( $V_{DD33OSC} = V_{DD33OSC}(\min)$  to  $V_{DD33OSC}(\max)$ ,  $T_A = T_L$  to  $T_H$ )**

Symbol	Description	Min.	Typ.	Max.	Unit	Notes
$f_{osc\_lo}$	Oscillator crystal	—	32	—	kHz	
$t_{start}$	Crystal start-up time	—	1000	—	ms	1, 2

1. This parameter is characterized before qualification rather than 100% tested.
2. Proper PC board layout procedures must be followed to achieve specifications.

## 6.4 Memories and memory interfaces

### 6.4.1 Flash (FTFL) Electrical Characteristics

This section describes the electrical characteristics of the FTFL module.

#### 6.4.1.1 Flash Timing Parameters — Program and Erase

The following characteristics represent the amount of time the internal charge pumps are active and do not include command overhead.

**Table 17. NVM program/erase timing characteristics**

Symbol	Description	Min.	Typ.	Max.	Unit	Notes
$t_{hvpgm4}$	Longword Program high-voltage time	—	20	TBD	$\mu$ s	
$t_{hversscr}$	Sector Erase high-voltage time	—	20	100	ms	1
$t_{hversblk}$	Erase Block high-voltage time	—	160	800	ms	1

1. Maximum time based on expectations at cycling end-of-life.

#### 6.4.1.2 Flash Timing Parameters — Commands

**Table 18. Flash command timing characteristics**

Symbol	Description	Min.	Typ.	Max.	Unit	Notes
$t_{rd1blk}$	Read 1s Block execution time	—	—	1.4	ms	
$t_{rd1sec2k}$	Read 1s Section execution time (2 KB flash sector)	—	—	40	$\mu$ s	
$t_{pgmchk}$	Program Check execution time	—	—	35	$\mu$ s	

Table continues on the next page...

**Table 18. Flash command timing characteristics (continued)**

Symbol	Description	Min.	Typ.	Max.	Unit	Notes
$t_{rdsrc}$	Read Resource execution time	—	—	35	$\mu$ s	1
$t_{pgm4}$	Program Longword execution time	—	50	TBD	$\mu$ s	
$t_{ersblk}$	Erase Flash Block execution time	—	160	800	ms	2
$t_{ersscr}$	Erase Flash Sector execution time	—	20	100	ms	2
$t_{pgmsec2k}$	Program Section execution time (2 KB flash sector)	—	TBD	TBD	ms	
$t_{rd1all}$	Read 1s All Blocks execution time	—	—	2.8	ms	
$t_{rdonce}$	Read Once execution time	—	—	35	$\mu$ s	1
$t_{pgmonce}$	Program Once execution time	—	50	TBD	$\mu$ s	
$t_{ersall}$	Erase All Blocks execution time	—	320	1600	ms	2
$t_{vfykey}$	Verify Backdoor Access Key execution time	—	—	35	$\mu$ s	1
$t_{pgmpart}$	Program Partition for EEPROM execution time	—	175	TBD	ms	
$t_{setram32k}$	Set FlexRAM Function execution time for 32 KB of EEPROM backup	—	TBD	TBD	ms	
$t_{setram256k}$	Set FlexRAM Function execution time for 256 KB of EEPROM backup	—	TBD	TBD	ms	
Byte-write to FlexRAM for EEPROM operation						
$t_{eewr8bers}$	Byte-write to erased FlexRAM location execution time	—	100	TBD	$\mu$ s	3
$t_{eewr8b32k}$	Byte-write to FlexRAM execution time (32 KB EEPROM backup)	—	TBD	TBD	ms	
$t_{eewr8b64k}$	Byte-write to FlexRAM execution time (64 KB EEPROM backup)	—	TBD	1.5	ms	
$t_{eewr8b128k}$	Byte-write to FlexRAM execution time (128 KB EEPROM backup)	—	TBD	TBD	ms	
$t_{eewr8b256k}$	Byte-write to FlexRAM execution time (256 KB EEPROM backup)	—	TBD	2.5	ms	
Word-write to FlexRAM for EEPROM operation						
$t_{eewr16bers}$	Word-write to erased FlexRAM location execution time	—	100	TBD	$\mu$ s	
$t_{eewr16b32k}$	Word-write to FlexRAM execution time (32 KB EEPROM backup)	—	TBD	TBD	ms	
$t_{eewr16b64k}$	Word-write to FlexRAM execution time (64 KB EEPROM backup)	—	TBD	1.5	ms	
$t_{eewr16b128k}$	Word-write to FlexRAM execution time (128 KB EEPROM backup)	—	TBD	TBD	ms	
$t_{eewr16b256k}$	Word-write to FlexRAM execution time (256 KB EEPROM backup)	—	TBD	2.5	ms	
Longword-write to FlexRAM for EEPROM operation						

Table continues on the next page...

**Table 18. Flash command timing characteristics (continued)**

Symbol	Description	Min.	Typ.	Max.	Unit	Notes
$t_{\text{eewr32bers}}$	Longword-write to erased FlexRAM location execution time	—	200	TBD	$\mu\text{s}$	
$t_{\text{eewr16b32k}}$	Longword-write to FlexRAM execution time (32 KB EEPROM backup)	—	TBD	TBD	ms	
$t_{\text{eewr16b64k}}$	Longword-write to FlexRAM execution time (64 KB EEPROM backup)	—	TBD	2.7	ms	
$t_{\text{eewr32b128k}}$	Longword-write to FlexRAM execution time (128 KB EEPROM backup)	—	TBD	TBD	ms	
$t_{\text{eewr32b256k}}$	Longword-write to FlexRAM execution time (256 KB EEPROM backup)	—	TBD	3.7	ms	

1. Assumes 25MHz flash clock frequency.
2. Maximum times for erase parameters based on expectations at cycling end-of-life.
3. For byte-writes to an erased FlexRAM location, the aligned word containing the byte must be erased.

### 6.4.1.3 Flash (FTFL) Current and Power Parameters

**Table 19. Flash (FTFL) current and power parameters**

Symbol	Description	Typ.	Unit
$I_{\text{DD\_PGM}}$	Worst case programming current in program flash	10	mA

### 6.4.1.4 Reliability Characteristics

**Table 20. NVM reliability characteristics**

Symbol	Description	Min.	Typ. <sup>1</sup>	Max.	Unit	Notes
Program Flash						
$t_{\text{nvmpretp10k}}$	Data retention after up to 10 K cycles	5	TBD	—	years	2
$t_{\text{nvmpretp1k}}$	Data retention after up to 1 K cycles	10	TBD	—	years	2
$t_{\text{nvmpretp100}}$	Data retention after up to 100 cycles	15	TBD	—	years	2
$n_{\text{nvmcycp}}$	Cycling endurance	10 K	TBD	—	cycles	3
Data Flash						
$t_{\text{nvmpretd10k}}$	Data retention after up to 10 K cycles	5	TBD	—	years	2
$t_{\text{nvmpretd1k}}$	Data retention after up to 1 K cycles	10	TBD	—	years	2
$t_{\text{nvmpretd100}}$	Data retention after up to 100 cycles	15	TBD	—	years	2
$n_{\text{nvmcycd}}$	Cycling endurance	10 K	TBD	—	cycles	3
FlexRAM as EEPROM						
$t_{\text{nvmpreteee100}}$	Data retention up to 100% of write endurance	5	TBD	—	years	2

Table continues on the next page...

**Table 20. NVM reliability characteristics (continued)**

Symbol	Description	Min.	Typ. <sup>1</sup>	Max.	Unit	Notes
$t_{\text{nmwretee10}}$	Data retention up to 10% of write endurance	10	TBD	—	years	2
$t_{\text{nmwretee1}}$	Data retention up to 1% of write endurance	15	TBD	—	years	2
$n_{\text{nmwree16}}$	Write endurance with an EEPROM backup to FlexRAM ratio of 16	35 K	TBD	—	writes	4
$n_{\text{nmwree128}}$	Write endurance with an EEPROM backup to FlexRAM ratio of 128	315 K	TBD	—	writes	4
$n_{\text{nmwree512}}$	Write endurance with an EEPROM backup to FlexRAM ratio of 512	1.27 M	TBD	—	writes	4
$n_{\text{nmwree4k}}$	Write endurance with an EEPROM backup to FlexRAM ratio of 4096	10 M	TBD	—	writes	4
$n_{\text{nmwree32k}}$	Write endurance with an EEPROM backup to FlexRAM ratio of 32,768	80 M	TBD	—	writes	4

1. Typical data retention values are based on intrinsic capability of the technology measured at high temperature derated to 25°C. For additional information on how Freescale defines typical data retention, please refer to Engineering Bulletin EB618.
2. Data retention is based on  $T_{\text{javg}} = 55^\circ\text{C}$  (temperature profile over the lifetime of the application).
3. Cycling endurance represents number of program/erase cycles at  $-40^\circ\text{C} \leq T_j \leq 125^\circ\text{C}$
4. Write endurance represents the number of writes to FlexRAM at  $-40^\circ\text{C} \leq T_j \leq 125^\circ\text{C}$  influenced by the cycling endurance of the FlexNVM (same value as data flash) and the allocated EEPROM backup per subsystem. Minimum value assumes all byte-writes to FlexRAM.

### 6.4.1.5 Write Endurance to FlexRAM for EEPROM

When the FlexNVM partition code is not set to full data flash, the EEPROM data set size can be set to any of several non-zero values.

The bytes not assigned to data flash via the FlexNVM partition code are used by the FTFL to obtain an effective endurance increase for the EEPROM data. The built-in EEPROM record management system raises the number of program/erase cycles that can be attained prior to device wear-out by cycling the EEPROM data through a larger EEPROM NVM storage space.

While different partitions of the FlexNVM are available, the intention is that a single choice for the FlexNVM partition code and EEPROM data set size are used throughout the entire lifetime of a given application. The EEPROM endurance equation and graph shown below assume that only one configuration is ever used.

$$\text{Writes\_subsystem} = \frac{\text{EEPROM} - 2 \times \text{EESPLIT} \times \text{EESIZE}}{\text{EESPLIT} \times \text{EESIZE}} \times \text{Write\_efficiency} \times n_{\text{nmwcyed}}$$

where

- Writes\_subsystem — minimum writes to FlexRAM for subsystem (each subsystem can have different endurance)



- EEPROM — allocated FlexNVM for each EEPROM subsystem based on DEPART; entered with Program Partition command
- EEESPLIT — FlexRAM split factor for subsystem; entered with the Program Partition command
- EEESIZE — total allocated FlexRAM based on DEPART; entered with Program Partition command
- Write\_efficiency —
  - 0.25 for 8-bit writes to FlexRAM
  - 0.50 for 16-bit or 32-bit writes to FlexRAM
- $n_{\text{nvmcyd}}$  — data flash cycling endurance

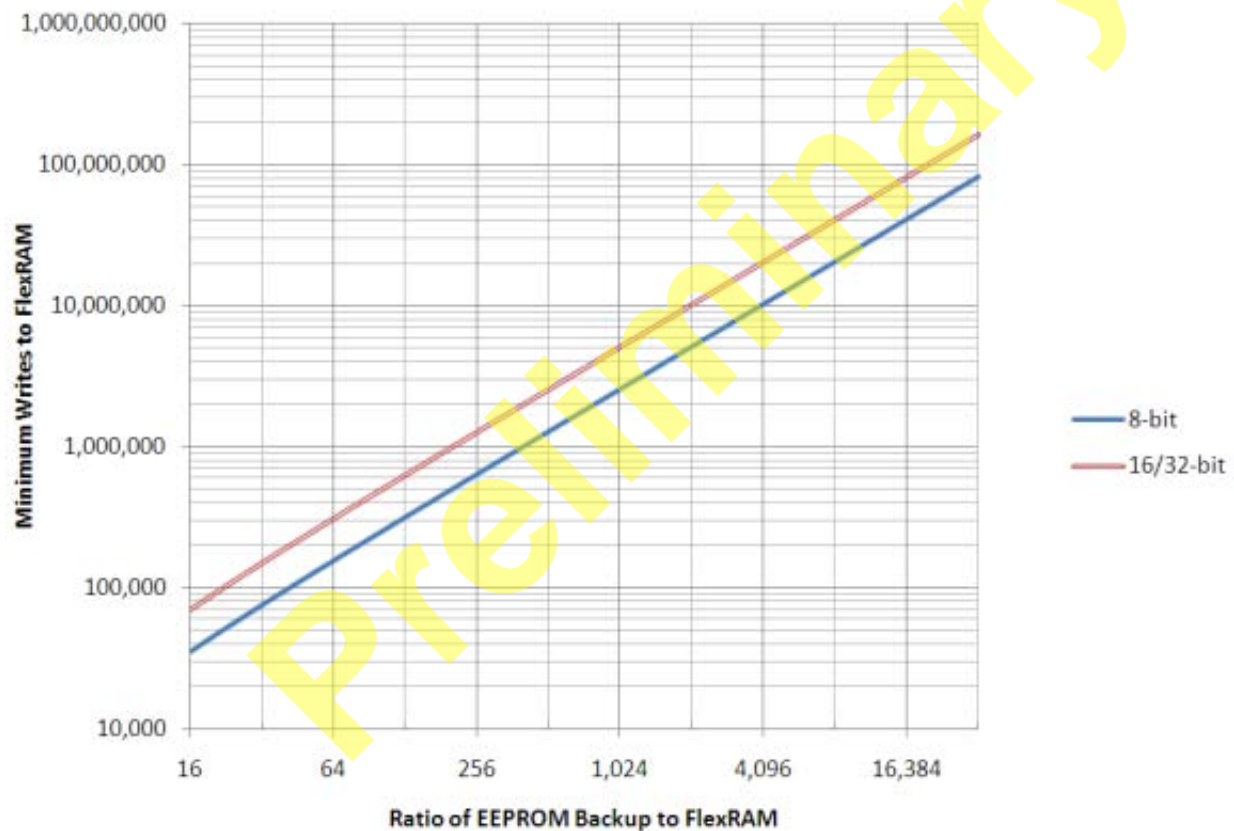


Figure 9. EEPROM backup writes to FlexRAM

## 6.4.2 EzPort Switching Specifications

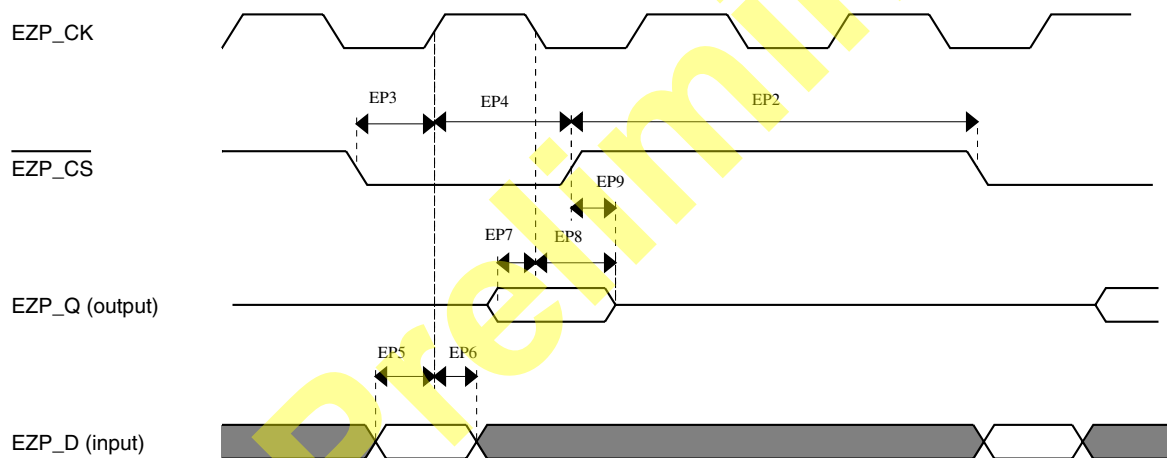
Table 21. EzPort switching specifications

Num	Description	Min.	Max.	Unit
	Operating voltage	2.7	3.6	V

Table continues on the next page...

**Table 21. EzPort switching specifications (continued)**

Num	Description	Min.	Max.	Unit
EP1	EZP_CK frequency of operation (all commands except READ)	—	$f_{SYS}/2$	MHz
EP1a	EZP_CK frequency of operation (READ command)	—	$f_{SYS}/8$	MHz
EP2	$\overline{\text{EZP\_CS}}$ negation to next $\overline{\text{EZP\_CS}}$ assertion	$2 \times t_{\text{EZP\_CK}}$	—	ns
EP3	$\overline{\text{EZP\_CS}}$ input valid to EZP_CK high (setup)	5	—	ns
EP4	EZP_CK high to $\overline{\text{EZP\_CS}}$ input invalid (hold)	5	—	ns
EP5	EZP_D input valid to EZP_CK high (setup)	2	—	ns
EP6	EZP_CK high to EZP_D input invalid (hold)	5	—	ns
EP7	EZP_CK low to EZP_Q output valid (setup)	—	12	ns
EP8	EZP_CK low to EZP_Q output invalid (hold)	0	—	ns
EP9	$\overline{\text{EZP\_CS}}$ negation to EZP_Q tri-state	—	12	ns

**Figure 10. EzPort Timing Diagram**

### 6.4.3 Flexbus Switching Specifications

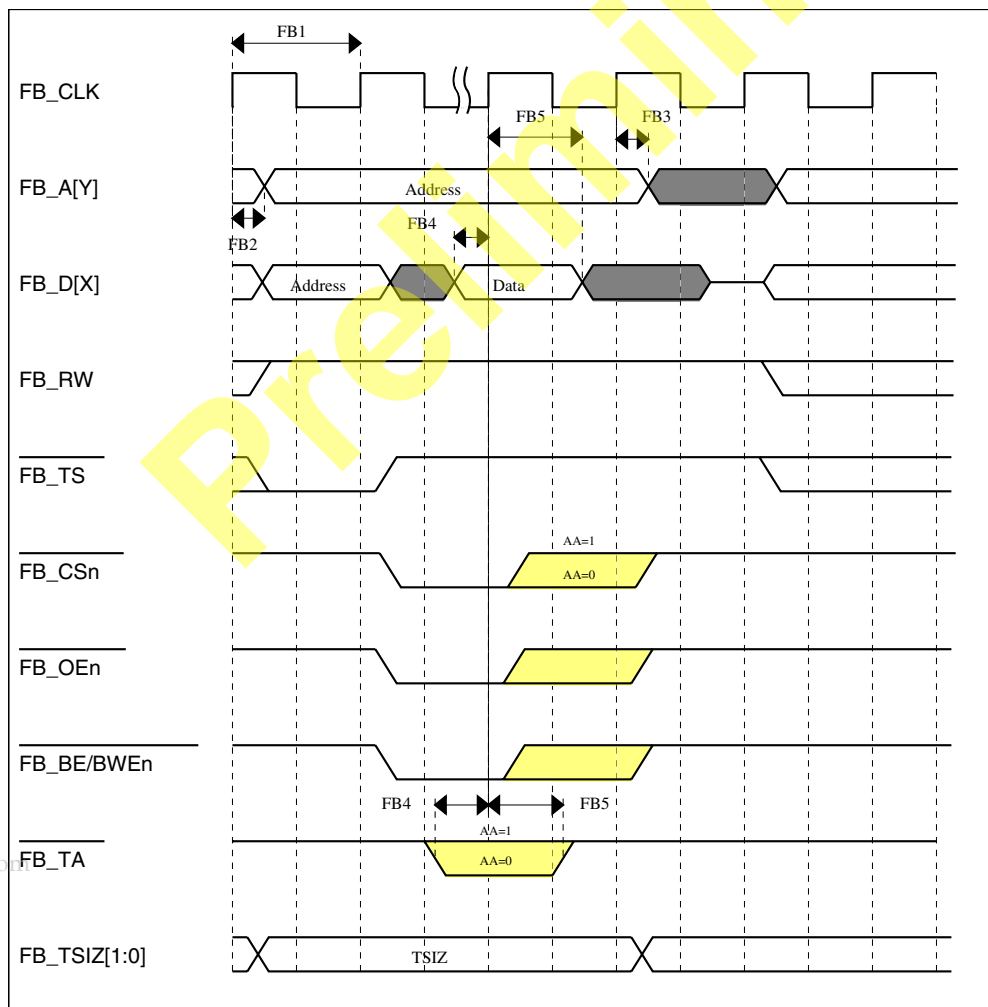
All processor bus timings are synchronous; input setup/hold and output delay are given in respect to the rising edge of a reference clock, FB\_CLK. The FB\_CLK frequency may be the same as the internal system bus frequency or an integer divider of that frequency.

The following timing numbers indicate when data is latched or driven onto the external bus, relative to the Flexbus output clock (FB\_CLK). All other timing relationships can be derived from these values.

**Table 22. Flexbus switching specifications**

Num	Description	Min.	Max.	Unit	Notes
	Operating voltage	2.7	3.6	V	
	Frequency of operation	—	50	Mhz	
FB1	Clock period	20	—	ns	
FB2	Address, data, and control output valid	TBD	11.5	ns	1
FB3	Address, data, and control output hold	0	—	ns	1
FB4	Data and $\overline{\text{FB\_TA}}$ input setup	8.5	—	ns	2
FB5	Data and $\overline{\text{FB\_TA}}$ input hold	0.5	—	ns	2

1. Specification is valid for all FB\_AD[31:0],  $\overline{\text{FB\_BE/BWE}n}$ ,  $\overline{\text{FB\_CS}n}$ ,  $\overline{\text{FB\_OE}}$ ,  $\overline{\text{FB\_R/W}}$ ,  $\overline{\text{FB\_TBST}}$ ,  $\overline{\text{FB\_TSIZ}}[1:0]$ , and  $\overline{\text{FB\_TS}}$ .
2. Specification is valid for all FB\_AD[31:0] and  $\overline{\text{FB\_TA}}$ .



**Figure 11. FlexBus read timing diagram**

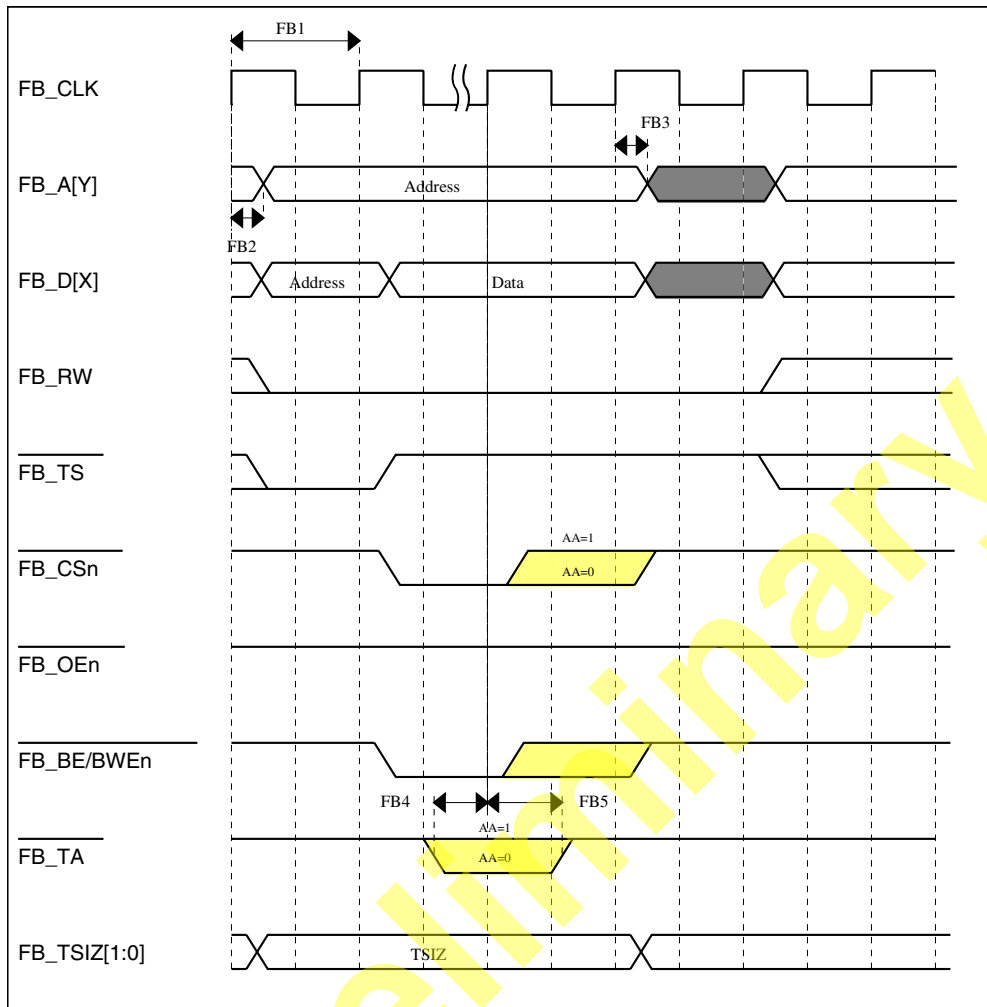


Figure 12. FlexBus write timing diagram

## 6.5 Security and integrity modules

There are no specifications necessary for the device's security and integrity modules.

## 6.6 Analog

### 6.6.1 ADC electrical specifications

The 16-bit accuracy specifications listed in [Table 23](#) and [Table 24](#) are achievable on the differential pins (ADCx\_DP0, ADCx\_DM0, ADCx\_DP1, ADCx\_DM1, ADCx\_DP3, and ADCx\_DM3). The ADCx\_DP2 and ADCx\_DM2 ADC inputs are used

as the PGA inputs and are not direct device pins. Accuracy specifications for these pins are defined in [Table 25](#) and [Table 26](#). All other ADC channels meet the 13-bit differential/12-bit single-ended accuracy specifications.

### 6.6.1.1 16-bit ADC operating conditions

**Table 23. 16-bit ADC operating conditions**

Symbol	Description	Conditions	Min.	Typ. <sup>1</sup>	Max.	Unit	Notes
$V_{DDA}$	Supply voltage	Absolute	1.71	—	3.6	V	
$\Delta V_{DDA}$	Supply voltage	Delta to $V_{DD}$ ( $V_{DD} - V_{DDA}$ )	-100	0	+100	mV	2
$\Delta V_{SSA}$	Ground voltage	Delta to $V_{SS}$ ( $V_{SS} - V_{SSA}$ )	-100	0	+100	mV	2
$V_{REFH}$	ADC reference voltage high		1.13	$V_{DDA}$	$V_{DDA}$	V	
$V_{REFL}$	Reference voltage low		$V_{SSA}$	$V_{SSA}$	$V_{SSA}$	V	
$V_{ADIN}$	Input voltage		$V_{REFL}$	—	$V_{REFH}$	V	
$C_{ADIN}$	Input capacitance	<ul style="list-style-type: none"> <li>• 16 bit modes</li> <li>• 8/10/12 bit modes</li> </ul>	—	8 4	10 5	pF	
$R_{ADIN}$	Input resistance		—	2	5	k $\Omega$	

*Table continues on the next page...*

**Table 23. 16-bit ADC operating conditions (continued)**

Symbol	Description	Conditions	Min.	Typ. <sup>1</sup>	Max.	Unit	Notes	
R <sub>AS</sub>	Analog source resistance	16 bit modes					External to MCU Assumes ADLSMP=0	
		• f <sub>ADCK</sub> > 8MHz	—	—	0.5	kΩ		
		• f <sub>ADCK</sub> = 4–8MHz	—	—	1	kΩ		
		• f <sub>ADCK</sub> < 4MHz	—	—	2	kΩ		
		13/12 bit modes						
		• f <sub>ADCK</sub> > 16MHz	—	—	0.5	kΩ		
		• f <sub>ADCK</sub> > 8MHz	—	—	1	kΩ		
		• f <sub>ADCK</sub> = 4–8MHz	—	—	2	kΩ		
		• f <sub>ADCK</sub> < 4MHz	—	—	5	kΩ		
		11/10 bit modes						
		• f <sub>ADCK</sub> > 8MHz	—	—	2	kΩ		
		• f <sub>ADCK</sub> = 4–8MHz	—	—	5	kΩ		
		• f <sub>ADCK</sub> < 4MHz	—	—	10	kΩ		
9/8 bit modes								
• f <sub>ADCK</sub> > 8MHz	—	—	5	kΩ				
• f <sub>ADCK</sub> < 8MHz	—	—	10	kΩ				
f <sub>ADCK</sub>	ADC conversion clock frequency	ADLPC=0, ADHSC=1						
		• 16 bit modes	1.0	—	TBD	MHz		
		• ≤13 bit modes	1.0	—	TBD	MHz		
		ADLPC=0, ADHSC=0						
		• 16 bit modes	1.0	—	8.0	MHz		
		• ≤13 bit modes	1.0	—	12.0	MHz		
		ADLPC=1, ADHSC=1						
		• 16 bit modes	1.0	—	5.0	MHz		
		• ≤13 bit modes	1.0	—	8.0	MHz		
		ADLPC=1, ADHSC=0						
		• 16 bit modes	1.0	—	2.5	MHz		
		• ≤13 bit modes	1.0	—	5.0	MHz		

www.DataSheet4U.com

1. Typical values assume V<sub>DDA</sub> = 3.0 V, Temp = 25°C, f<sub>ADCK</sub> = 1.0 MHz unless otherwise stated. Typical values are for reference only and are not tested in production.
2. DC potential difference.

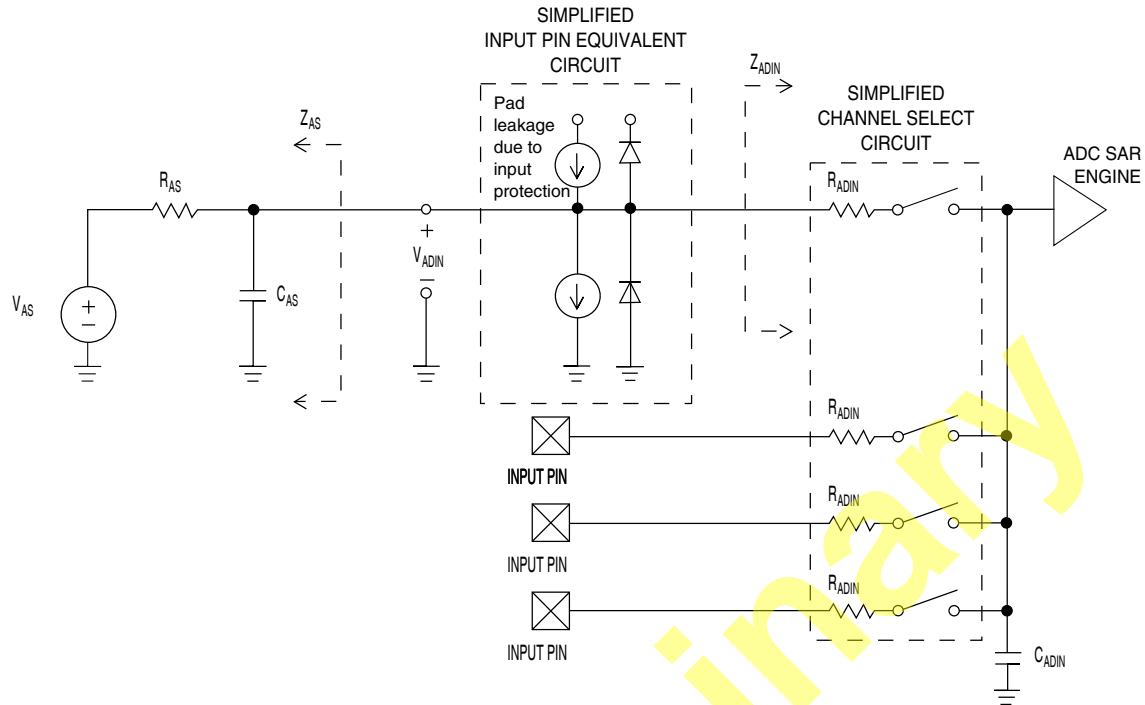


Figure 13. ADC input impedance equivalency diagram

### 6.6.1.2 16-bit ADC electrical characteristics

Table 24. 16-bit ADC characteristics ( $V_{REFH} = V_{DDA}$ ,  $V_{REFL} = V_{SSA}$ )

Symbol	Description	Conditions <sup>1</sup>	Min.	Typ. <sup>2</sup>	Max.	Unit	Notes
$I_{DDA}$	Supply current	<ul style="list-style-type: none"> <li>ADLPC=1, ADHSC=0</li> <li>ADLPC=1, ADHSC=1</li> <li>ADLPC=0, ADHSC=0</li> <li>ADLPC=0, ADHSC=1</li> </ul>	—	215	—	$\mu\text{A}$	ADLSMP=0 ADCO=1
	Supply current	• Stop, reset, module off	—	0.01	0.8	$\mu\text{A}$	
$f_{ADACK}$	ADC asynchronous clock source	• ADLPC=1, ADHSC=0	TBD	2.4	TBD	MHz	$t_{ADACK} = 1/f_{ADACK}$
		• ADLPC=1, ADHSC=1	TBD	4.0	TBD	MHz	
		• ADLPC=0, ADHSC=0	TBD	5.2	TBD	MHz	
		• ADLPC=0, ADHSC=1	TBD	6.2	TBD	MHz	
	Sample Time	See Reference Manual chapter for sample times					
	Conversion Time	See Reference Manual chapter for conversion times					

Table continues on the next page...

Table 24. 16-bit ADC characteristics ( $V_{REFH} = V_{DDA}$ ,  $V_{REFL} = V_{SSA}$ ) (continued)

Symbol	Description	Conditions <sup>1</sup>	Min.	Typ. <sup>2</sup>	Max.	Unit	Notes
TUE	Total unadjusted error	<ul style="list-style-type: none"> <li>16 bit differential</li> <li>16 bit single-ended</li> <li>13 bit differential</li> <li>12 bit single-ended</li> <li>11 bit differential</li> <li>10 bit single-ended</li> <li>9 bit differential</li> <li>8 bit single-ended</li> </ul>	—	±14.0	±TBD	LSB <sup>3</sup>	Max hardware averaging (AVGE = %1, AVGS = %11)
DNL	Differential non-linearity	<ul style="list-style-type: none"> <li>16 bit differential</li> <li>16 bit single-ended</li> <li>13 bit differential</li> <li>12 bit single-ended</li> <li>11 bit differential</li> <li>10 bit single-ended</li> <li>9 bit differential</li> <li>8 bit single-ended</li> </ul>	—	±2.5	±TBD	LSB <sup>3</sup>	Max hardware averaging (AVGE = %1, AVGS = %11)
INL	Integral non-linearity	<ul style="list-style-type: none"> <li>16 bit differential</li> <li>16 bit single-ended</li> <li>13 bit differential</li> <li>12 bit single-ended</li> <li>11 bit differential</li> <li>10 bit single-ended</li> <li>9 bit differential</li> <li>8 bit single-ended</li> </ul>	—	-6 to +2.5	—	LSB <sup>3</sup>	Max averaging
Ezs	Zero-scale error	<ul style="list-style-type: none"> <li>16 bit differential</li> <li>16 bit single-ended</li> <li>13 bit differential</li> <li>12 bit single-ended</li> <li>11 bit differential</li> <li>10 bit single-ended</li> <li>9 bit differential</li> <li>8 bit single-ended</li> </ul>	—	±4.0	—	LSB <sup>3</sup>	$V_{ADIN} = V_{SSA}$

Table continues on the next page...



Table 24. 16-bit ADC characteristics ( $V_{REFH} = V_{DDA}$ ,  $V_{REFL} = V_{SSA}$ ) (continued)

Symbol	Description	Conditions <sup>1</sup>	Min.	Typ. <sup>2</sup>	Max.	Unit	Notes
$E_{FS}$	Full-scale error	<ul style="list-style-type: none"> <li>16 bit differential</li> <li>16 bit single-ended</li> <li>13 bit differential</li> <li>12 bit single-ended</li> <li>11 bit differential</li> <li>10 bit single-ended</li> <li>9 bit differential</li> <li>8 bit single-ended</li> </ul>	—	0 to +10	—	LSB <sup>3</sup>	$V_{ADIN} = V_{DDA}$
$E_Q$	Quantization error	<ul style="list-style-type: none"> <li>16 bit modes</li> <li>≤13 bit modes</li> </ul>	—	-1 to 0	—	LSB <sup>3</sup>	
ENOB	Effective number of bits	16 bit differential mode <ul style="list-style-type: none"> <li>Avg=32</li> <li>Avg=16</li> <li>Avg=8</li> <li>Avg=4</li> <li>Avg=1</li> </ul> 16 bit single-ended mode <ul style="list-style-type: none"> <li>Avg=32</li> <li>Avg=16</li> <li>Avg=8</li> <li>Avg=4</li> <li>Avg=1</li> </ul>	TBD	13.6	TBD	bits	4
SINAD	Signal-to-noise plus distortion	See ENOB	6.02 × ENOB + 1.76			dB	
THD	Total harmonic distortion	16 bit differential mode <ul style="list-style-type: none"> <li>Avg=32</li> </ul> 16 bit single-ended mode <ul style="list-style-type: none"> <li>Avg=32</li> </ul>	—	-94	TBD	dB	4
SFDR	Spurious free dynamic range	16 bit differential mode <ul style="list-style-type: none"> <li>Avg=32</li> </ul> 16 bit single-ended mode <ul style="list-style-type: none"> <li>Avg=32</li> </ul>	TBD	95	—	dB	4

Table continues on the next page...

**Table 24. 16-bit ADC characteristics ( $V_{REFH} = V_{DDA}$ ,  $V_{REFL} = V_{SSA}$ ) (continued)**

Symbol	Description	Conditions <sup>1</sup>	Min.	Typ. <sup>2</sup>	Max.	Unit	Notes
$E_{IL}$	Input leakage error		$I_{in} \times R_{AS}$			mV	$I_{in}$ = leakage current  (refer to the MCU's voltage and current operating ratings)
	Temp sensor slope	<ul style="list-style-type: none"> <li>-40°C to 25°C</li> <li>25°C to 105°C</li> </ul>	—	TBD	—	mV/°C	
$V_{TEMP25}$	Temp sensor voltage	25°C	—	TBD	—	mV	

1. All accuracy numbers assume the ADC is calibrated with  $V_{REFH} = V_{DDA}$
2. Typical values assume  $V_{DDA} = 3.0$  V, Temp = 25°C,  $f_{ADCK} = 2.0$  MHz unless otherwise stated. Typical values are for reference only and are not tested in production.
3. 1 LSB =  $(V_{REFH} - V_{REFL})/2^N$
4. Input data is 1 kHz sine wave.

### 6.6.1.3 16-bit ADC with PGA operating conditions

**Table 25. 16-bit ADC with PGA operating conditions**

Symbol	Description	Conditions	Min.	Typ. <sup>1</sup>	Max.	Unit	Notes
$V_{DDA}$	Supply voltage	Absolute	1.71	—	3.6	V	
$V_{REFPGA}$	PGA ref voltage		VREFOUT	VREFOUT	VREFOUT	V	2, 3
$V_{ADIN}$	Input voltage		$V_{SSA}$	—	$V_{DDA}$	V	
$R_{PGA}$	Input impedance	Gain = 1, 2, 4, 8 Gain = 16, 32 Gain = 64	TBD TBD TBD	64 32 16	TBD TBD TBD	kΩ	
$R_{PGAD}$	Differential input impedance	Gain = 1, 2, 4, 8 Gain = 16, 32 Gain = 64	TBD TBD TBD	128 64 32	TBD TBD TBD	kΩ	IN+ to IN-
$R_{AS}$	Analog source resistance	Gain = 16, 32	—	100	—	Ω	4
$T_S$	ADC sampling time	Gain = 64	1.25	—	—	μs	5

1. Typical values assume  $V_{DDA} = 3.0$  V, Temp = 25°C,  $f_{ADCK} = 6$  MHz unless otherwise stated. Typical values are for reference only and are not tested in production.
2. ADC must be configured to use the internal voltage reference (VREFOUT)
3. PGA reference connected to the VREFOUT pin. If the user wishes to drive VREFOUT with a voltage other than the output of the VREF module, the VREF module must be disabled.

- The analog source resistance ( $R_{AS}$ ), external to MCU, should be kept as minimum as possible. Increased  $R_{AS}$  causes drop in PGA gain without affecting other performances. This is not dependent on ADC clock frequency.
- The minimum sampling time is dependent on input signal frequency and ADC mode of operation. A minimum of 1.25 $\mu$ s time should be allowed for  $F_{in}$ =4 kHz at 16-bit differential mode. Recommended ADC setting is: ADLSMP=1, ADLSTS=2 at 8 MHz ADC clock. The ADLSTS bits can be adjusted for different ADC clock frequency

### 6.6.1.4 16-bit ADC with PGA characteristics

Table 26. 16-bit ADC with PGA characteristics

Symbol	Description	Conditions	Min.	Typ. <sup>1</sup>	Max.	Unit	Notes
$I_{DDA\_PGA}$	Supply current		TBD	590	TBD	$\mu$ A	
$I_{LKG}$	Leakage current	PGA disabled	—	< 1	TBD	$\mu$ A	
G	Gain <sup>2</sup>	<ul style="list-style-type: none"> <li>PGAG=0</li> <li>PGAG=1</li> <li>PGAG=2</li> <li>PGAG=3</li> <li>PGAG=4</li> <li>PGAG=5</li> <li>PGAG=6</li> </ul>	TBD	1	TBD	dB	$R_{AS} < 100\Omega$
$G_A$	Gain error		—	—	$\pm 0.5$	dB	$R_{AS} < 100\Omega$
BW	Input signal bandwidth	<ul style="list-style-type: none"> <li>16-bit modes</li> <li>&lt; 16-bit modes</li> </ul>	—	—	4	kHz	
PSRR	Power supply rejection ration	Gain=1	TBD	TBD	—	dB	$V_{DDA} = 3V \pm 100mV$ , $f_{VDDA} = 50Hz, 60Hz$
CMRR	Common mode rejection ratio	<ul style="list-style-type: none"> <li>Gain=1</li> <li>Gain=64</li> </ul>	TBD	TBD	—	dB	$V_{CM} = 500mV_{pp}$ , $f_{VCM} = 50Hz, 100Hz$
$V_{OFS}$	Input offset voltage		—	0.2	TBD	mV	Gain=1, ADC Averaging=32
$T_{GSW}$	Gain switching settling time		—	TBD	10	$\mu$ s	3
dG/dT	Gain drift over temperature	<ul style="list-style-type: none"> <li>Gain=1</li> <li>Gain=64</li> </ul>	—	TBD	TBD	ppm/ $^{\circ}$ C	0 to 50 $^{\circ}$ C
d $V_{OFS}$ /dT	Offset drift over temperature	Gain=1	—	TBD	TBD	ppm/ $^{\circ}$ C	0 to 50 $^{\circ}$ C, ADC Averaging=32
dG/d $V_{DDA}$	Gain drift over supply voltage	<ul style="list-style-type: none"> <li>Gain=1</li> <li>Gain=64</li> </ul>	—	TBD	TBD	%/V	$V_{DDA}$ from 1.71 to 3.6V

Table continues on the next page...

Table 26. 16-bit ADC with PGA characteristics (continued)

Symbol	Description	Conditions	Min.	Typ. <sup>1</sup>	Max.	Unit	Notes
$E_{IL}$	Input leakage error	All modes	$I_{in} \times R_{AS}$			mV	$I_{in}$ = leakage current (refer to the MCU's voltage and current operating ratings)
$V_{PP,DIFF}$	Maximum differential input signal swing		$[(V_{REFPGA} \times 2.33) - 0.2] / (2 \times \text{Gain})$			V	4
SNR	Signal-to-noise ratio	<ul style="list-style-type: none"> <li>Gain=1</li> <li>Gain=64</li> </ul>	TBD	8.3	—	dB	Average=32
			TBD	57.7	—	dB	
THD	Total harmonic distortion	<ul style="list-style-type: none"> <li>Gain=1</li> <li>Gain=64</li> </ul>	TBD	87.3	—	dB	Average=32, $f_{in}=100\text{Hz}$
			TBD	85.3	—	dB	
SFDR	Spurious free dynamic range	<ul style="list-style-type: none"> <li>Gain=1</li> <li>Gain=64</li> </ul>	TBD	92.42	—	dB	Average=32, $f_{in}=100\text{Hz}$
			TBD	92.54	—	dB	
ENOB	Effective number of bits	Gain=1, Average=4	TBD	12.3	—	bits	
		Gain=1, Average=8	TBD	12.7	—	bits	
		Gain=64, Average=4	TBD	8.4	—	bits	
		Gain=64, Average=8	TBD	8.7	—	bits	
		Gain=1, Average=32	TBD	13.4	—	bits	
		Gain=2, Average=32	TBD	13.1	—	bits	
		Gain=4, Average=32	TBD	12.6	—	bits	
		Gain=8, Average=32	TBD	11.8	—	bits	
		Gain=16, Average=32	TBD	11.1	—	bits	
		Gain=32, Average=32	TBD	10.2	—	bits	
Gain=64, Average=32	TBD	9.3	—	bits			
SINAD	Signal-to-noise plus distortion ratio	See ENOB	$6.02 \times \text{ENOB} + 1.76$			dB	

1. Typical values assume  $V_{DDA} = 3.0\text{V}$ ,  $\text{Temp} = 25^\circ\text{C}$ ,  $f_{ADCK} = 6\text{MHz}$  unless otherwise stated.
2.  $\text{Gain} = 2^{\text{PGAGx}}$
3. When the PGA gain is changed, it takes some time to settle the output for the ADC to work properly. During a gain switching, a few ADC outputs should be discarded (minimum two data samples, may be more depending on ADC sampling rate and time of the switching).
4. Limit the input signal swing so that the PGA does not saturate during operation. Input signal swing is dependent on the PGA reference voltage and gain setting.

## 6.6.2 CMP and 6-bit DAC electrical specifications

**Table 27. Comparator and 6-bit DAC electrical specifications**

Symbol	Description	Min.	Typ.	Max.	Unit
V <sub>DD</sub>	Supply voltage	1.71	—	3.6	V
I <sub>DDHS</sub>	Supply current, High-speed mode (EN=1, PMODE=1, VDDA >= V <sub>LVI_trip</sub> )	—	—	200	μA
I <sub>DDL</sub>	Supply current, low-speed mode (EN=1, PMODE=0)	—	—	20	μA
I <sub>DDOFF</sub>	Supply current, OFF Mode (EN=0,)	—	—	100	nA
V <sub>AIN</sub>	Analog input voltage	V <sub>SS</sub> – 0.3	—	V <sub>DD</sub>	V
V <sub>AIO</sub>	Analog input offset voltage	—	—	20	mV
V <sub>H</sub>	Analog comparator hysteresis <ul style="list-style-type: none"> <li>• HYSTCTR = 00</li> <li>• HYSTCTR = 01</li> <li>• HYSTCTR = 10</li> <li>• HYSTCTR = 11</li> </ul>	—	5 10 20 30	—	mV mV mV mV
V <sub>CMPOH</sub>	Output high	V <sub>DD</sub> – 0.5	—	—	V
V <sub>CMPOI</sub>	Output low	—	—	0.5	V
t <sub>DHS</sub>	Propagation delay, high-speed mode (EN=1, PMODE=1)	20	50	120	ns
t <sub>DLS</sub>	Propagation delay, low-speed mode (EN=1, PMODE=1)	120	250	420	ns
	Analog comparator initialization delay	—	—	TBD	ns
I <sub>DAC6b</sub>	6-bit DAC current adder (enabled)	—	—	8	μA
INL	6-bit DAC integral non-Linearity	–0.5	—	0.5	LSB <sup>1</sup>
DNL	6-bit DAC differential non-linearity	–0.3	—	0.3	LSB

1. 1 LSB = V<sub>reference</sub>/64

## 6.6.3 12-bit DAC electrical characteristics

### 6.6.3.1 12-bit DAC operating requirements

**Table 28. 12-bit DAC operating requirements**

Symbol	Description	Min.	Max.	Unit	Notes
V <sub>DDA</sub>	Supply voltage	1.71	3.6	V	
V <sub>DACR</sub>	Reference voltage	1.15	3.6	V	1
T <sub>A</sub>	Temperature	–40	105	°C	

Table continues on the next page...

**Table 28. 12-bit DAC operating requirements (continued)**

Symbol	Description	Min.	Max.	Unit	Notes
$C_L$	Output load capacitance	—	100	pF	2
$I_L$	Output load current	—	1	mA	

1. The DAC reference can be selected to be VDDA or the voltage output of the VREF module (VREFO)
2. A small load capacitance (47 pF) can improve the bandwidth performance of the DAC

### 6.6.3.2 12-bit DAC operating behaviors

**Table 29. 12-bit DAC operating behaviors**

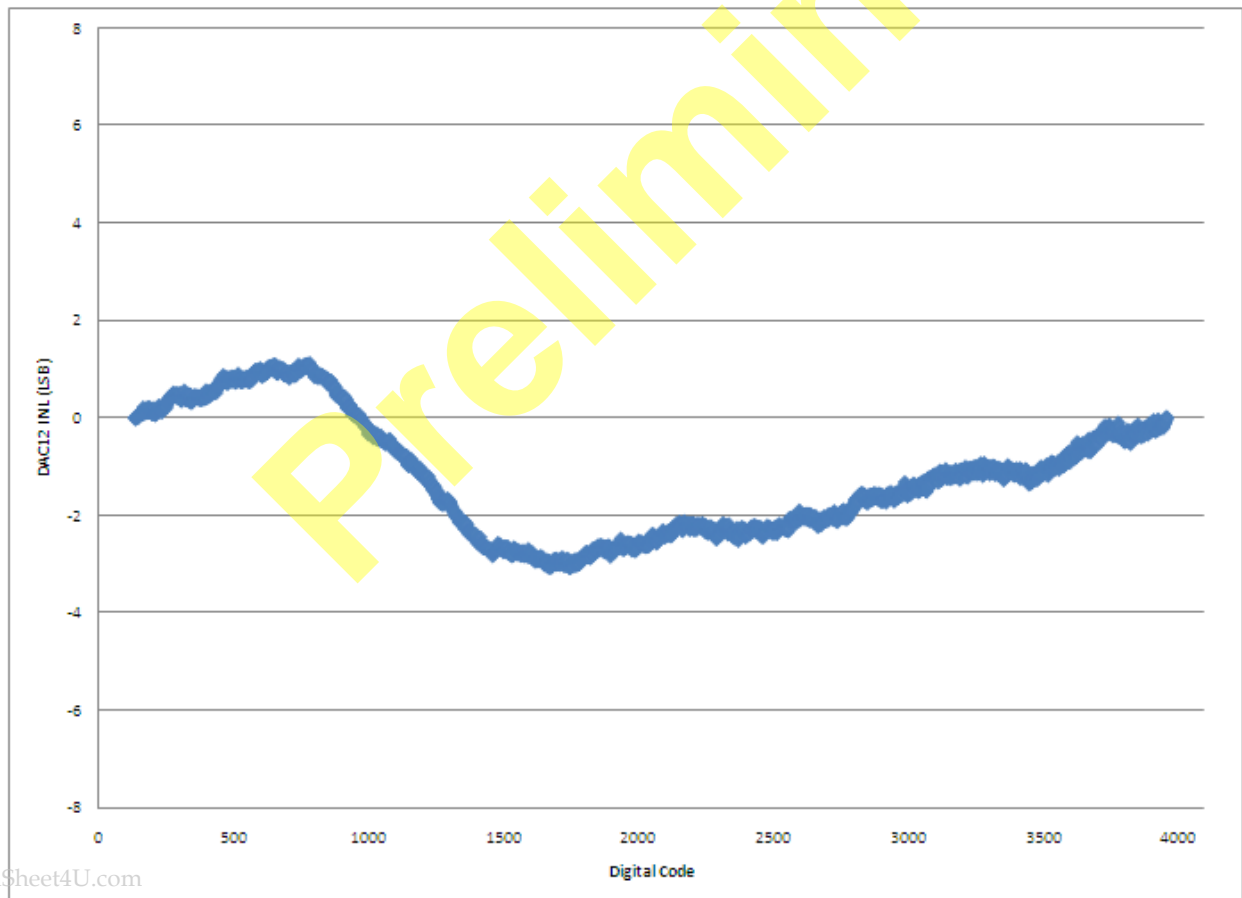
Symbol	Description	Min.	Typ.	Max.	Unit	Notes
n	Resolution	12	—	12	b	
$I_{DDA\_DACLP}$	Supply current — low-power mode	—	—	150	$\mu$ A	
$I_{DDA\_DACHP}$	Supply current — high-speed mode	—	—	700	$\mu$ A	
$t_{DACLP}$	Full-scale settling time (0x080 to 0xF7F) — low-power mode	—	100	200	$\mu$ s	1
$t_{DACHP}$	Full-scale settling time (0x080 to 0xF7F) — high-power mode	—	15	30	$\mu$ s	1
$t_{CCDACLP}$	Code-to-code settling time (0xBF8 to 0xC08) — low-power mode	—	—	5	$\mu$ s	1
$t_{CCDACHP}$	Code-to-code settling time (0xBF8 to 0xC08) — high-speed mode	1	TBD	—	$\mu$ s	1
$V_{dacoutl}$	DAC output voltage range low — high-speed mode, no load, DAC set to 0x000	0	100	—	mV	
$V_{dacouth}$	DAC output voltage range high — high-speed mode, no load, DAC set to 0xFFF	$V_{DACR}$ -100	—	$V_{DACR}$	mV	
INL	Integral non-linearity error — high speed mode	$\pm 3$	—	$\pm 8$	LSB	2
DNL	Differential non-linearity error — $V_{DACR} > 2$ V	$\pm 0.5$	—	$\pm 1$	LSB	3
DNL	Differential non-linearity error — $V_{DACR} = VREFO$ (1.15 V)	$\pm 0.5$	—	$\pm 1$	LSB	4
$V_{OFFSET}$	Offset error	$\pm 0.4$	—	$\pm 0.8$	%FSR	5
$E_G$	Gain error	$\pm 0.1$	—	$\pm 0.6$	%FSR	5
PSRR	Power supply rejection ratio, $V_{DDA} \geq 2.4$ V	60	—	90	dB	
$T_{CO}$	Temperature coefficient offset voltage	—	TBD	—	$\mu$ V/C	
$T_{GE}$	Temperature coefficient gain error	—	TBD	—	ppm of FSR/C	
$A_C$	Offset aging coefficient	—	—	TBD	$\mu$ V/yr	
$R_{op}$	Output resistance load = 3 k $\Omega$	—	—	250	$\Omega$	

Table continues on the next page...

**Table 29. 12-bit DAC operating behaviors (continued)**

Symbol	Description	Min.	Typ.	Max.	Unit	Notes
SR	Slew rate -80h→ F7Fh→ 80h <ul style="list-style-type: none"> <li>High power (SP<sub>HP</sub>)</li> <li>Low power (SP<sub>LP</sub>)</li> </ul>	1.2 0.05	1.7 0.12	— —	V/μs	
CT	Channel to channel cross talk	—	—	-80	dB	
BW	3dB bandwidth <ul style="list-style-type: none"> <li>High power (SP<sub>HP</sub>)</li> <li>Low power (SP<sub>LP</sub>)</li> </ul>	550 40	— —	— —	kHz	

- Settling within  $\pm 1$  LSB
- The INL is measured for 0+100mV to VD<sub>ACR</sub>-100 mV
- The DNL is measured for 0+100 mV to V<sub>D<sub>ACR</sub></sub>-100 mV
- The DNL is measured for 0+100mV to V<sub>D<sub>ACR</sub></sub>-100 mV with V<sub>D<sub>DDA</sub></sub> > 2.4V
- Calculated by a best fit curve from V<sub>SS</sub>+100 mV to V<sub>REF</sub>-100 mV

**Figure 14. Typical INL error vs. digital code**

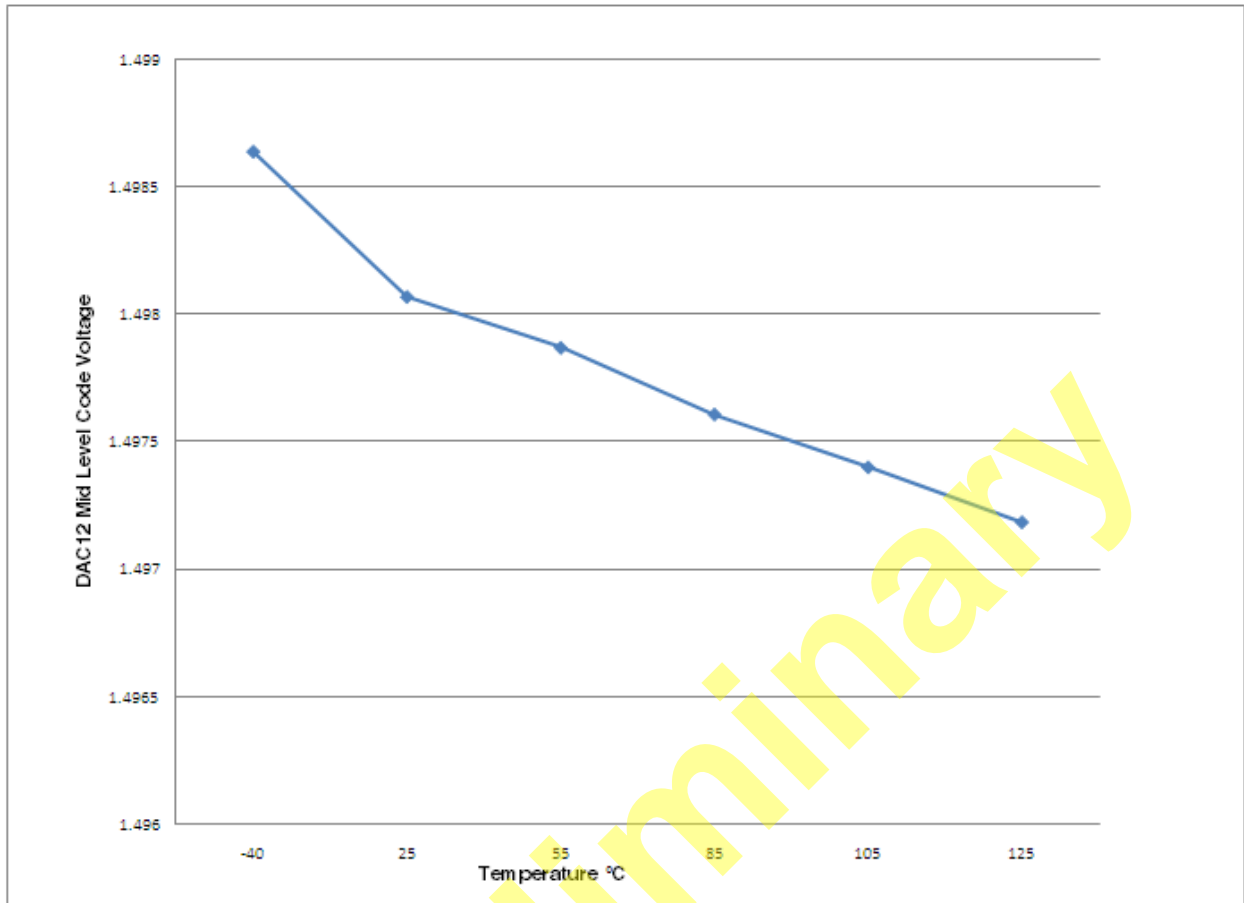


Figure 15. Offset at half scale vs. temperature

### 6.6.4 Voltage Reference Electrical Specifications

Table 30. VREF full-range operating requirements

Symbol	Description	Min.	Max.	Unit	Notes
V <sub>DDA</sub>	Supply voltage	1.71	3.6	V	
T <sub>A</sub>	Temperature	-40	105	°C	
C <sub>L</sub>	Output load capacitance	—	100	nF	

Table 31. VREF full-range operating behaviors

Symbol	Description	Min.	Typ.	Max.	Unit	Notes
V <sub>out</sub>	Voltage reference output with factory trim	TBD	1.2	TBD	V	
V <sub>out</sub>	Voltage reference output without factory trim	1.15	—	1.24	V	
V <sub>drift</sub>	Temperature drift (V <sub>max</sub> - V <sub>min</sub> across the full temperature range)	—	—	7	mV	See Figure 16

Table continues on the next page...



**Table 31. VREF full-range operating behaviors (continued)**

Symbol	Description	Min.	Typ.	Max.	Unit	Notes
$T_c$	Temperature coefficient	—	—	TBD	ppm/°C	
$A_c$	Aging coefficient	—	—	TBD	ppm/year	
$I_{off}$	Powered down current (off mode, VREFEN = 0, VRSTEN = 0)	—	—	0.10	μA	
$I_{bg}$	Bandgap only (MODE_LV = 00) current	—	TBD	75	μA	
$I_{tr}$	Tight-regulation buffer (MODE_LV = 10) current	—	—	1.1	mA	
	Load regulation (MODE_LV = 10) current	—	—	100	μV/mA	
$T_{stup}$	Buffer startup time	100	—	TBD	μs	
DC	Line regulation (power supply rejection)	—	—	TBD	mV	
		-60	—	TBD	dB	

**Table 32. VREF limited-range operating requirements**

Symbol	Description	Min.	Max.	Unit	Notes
$T_A$	Temperature	0	50	°C	

**Table 33. VREF limited-range operating behaviors**

Symbol	Description	Min.	Max.	Unit	Notes
$V_{out}$	Voltage reference output with factory trim	TBD	TBD	μA	

TBD

**Figure 16. Typical output vs. temperature**

TBD

**Figure 17. Typical output vs. VDD**

## 6.7 Timers

See [General Switching Specifications](#).

## 6.8 Communication interfaces

## 6.8.1 Ethernet Switching Specifications

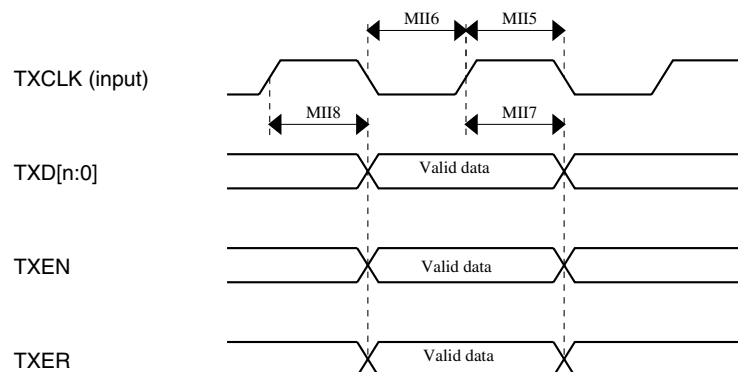
The following timing specs are defined at the chip I/O pin and must be translated appropriately to arrive at timing specs/constraints for the physical interface.

### 6.8.1.1 MII Signal Switching Specifications

The following timing specs meet the requirements for MII style interfaces for a range of transceiver devices.

**Table 34. Ethernet MII mode signal timing**

Symbol	Description	Min.	Max.	Unit
—	RXCLK frequency	—	25	MHz
MII1	RXCLK pulse width high	35%	65%	RXCLK period
MII2	RXCLK pulse width low	35%	65%	RXCLK period
MII3	RXD[3:0], RXDV, RXER to RXCLK setup	5	—	ns
MII4	RXCLK to RXD[3:0], RXDV, RXER hold	5	—	ns
—	TXCLK frequency	—	25	MHz
MII5	TXCLK pulse width high	35%	65%	TXCLK period
MII6	TXCLK pulse width low	35%	65%	TXCLK period
MII7	TXCLK to TXD[3:0], TXEN, TXER invalid	2	—	ns
MII8	TXCLK to TXD[3:0], TXEN, TXER valid	—	25	ns



**Figure 18. MII transmit signal timing diagram**

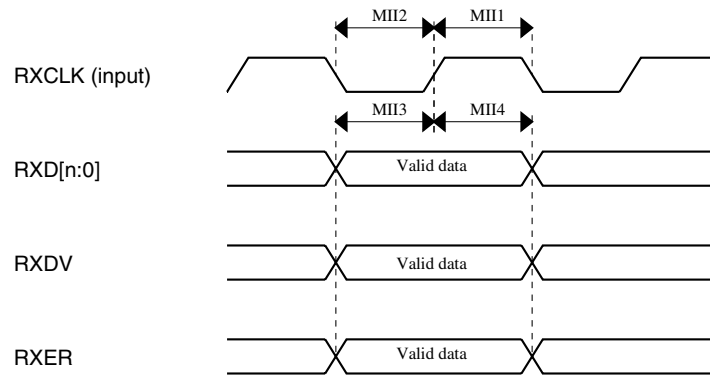


Figure 19. MII receive signal timing diagram

### 6.8.1.2 RMII signal switching specifications

The following timing specs meet the requirements for RMII style interfaces for a range of transceiver devices.

Table 35. Ethernet RMII mode signal timing

Num	Description	Min.	Max.	Unit
—	EXTAL frequency (RMII input clock RMII_CLK)	—	50	MHz
RMII1	RMII_CLK pulse width high	35%	65%	RMII_CLK period
RMII2	RMII_CLK pulse width low	35%	65%	RMII_CLK period
RMII3	RXD[1:0], CRS_DV, RXER to RMII_CLK setup	4	—	ns
RMII4	RMII_CLK to RXD[1:0], CRS_DV, RXER hold	2	—	ns
RMII7	RMII_CLK to TXD[1:0], TXEN invalid	4	—	ns
RMII8	RMII_CLK to TXD[1:0], TXEN valid	—	15	ns

## 6.8.2 USB electrical specifications

The USB electricals for the USB On-the-Go module conform to the standards documented by the Universal Serial Bus Implementers Forum. For the most up-to-date standards, visit <http://www.usb.org>.

[www.DataSheet4U.com](http://www.DataSheet4U.com)

### 6.8.3 USB DCD Electrical Specifications

Table 36. USB DCD specifications

Symbol	Description	Min.	Typ.	Max.	Unit
V <sub>DP_SRC</sub>	USB_DP source voltage (up to 250 $\mu$ A)	TBD	TBD	TBD	V
V <sub>LGC</sub>	Threshold voltage for logic high	0.8	—	2.0	V
I <sub>DP_SRC</sub>	USB_DP source current	7	10	13	$\mu$ A
I <sub>DM_SINK</sub>	USB_DM sink current	50	100	150	$\mu$ A
R <sub>DM_DWN</sub>	D- pulldown resistance for data pin contact detect	14.25	—	24.8	k $\Omega$
V <sub>DAT_REF</sub>	Data detect voltage	0.25	TBD	0.4	V

### 6.8.4 USB Voltage Regulator Electrical Specifications

Table 37. USB voltage regulator electrical specifications

Symbol	Description	Min.	Typ.	Max.	Unit	Notes
V <sub>REGIN</sub>	Input supply voltage	2.7	—	5.5	V	
I <sub>DDon</sub>	Quiescent current — Run mode, load current equal zero	—	120	—	$\mu$ A	
I <sub>DDstby</sub>	Quiescent current — Standby mode, load current equal zero	—	TBD	—	$\mu$ A	
I <sub>DDoff</sub>	Quiescent current — Shutdown mode	—	—	500	nA	
I <sub>LOADrun</sub>	Maximum load current — Run mode	—	—	120	mA	
I <sub>LOADstby</sub>	Maximum load current — Standby mode	—	—	TBD	mA	
V <sub>Reg33out</sub>	Regulator output voltage — Input supply (V <sub>REGIN</sub> ) > 3.6 V <ul style="list-style-type: none"> <li>• Run mode</li> <li>• Standby mode</li> <li>• Pass-through mode</li> </ul>	3 TBD 2.3	3.3 TBD —	3.6 TBD 3.6	V V V	1
C <sub>OUT</sub>	External output capacitor	1.76	2.2	8.16	$\mu$ F	
ESR	External output capacitor equivalent series resistance	1	—	100	m $\Omega$	
I <sub>LIM</sub>	Current limitation threshold	185	290	395	mA	

1. Operating in pass-through mode: regulator output voltage equal to the input voltage minus a drop proportional to I<sub>Load</sub>.

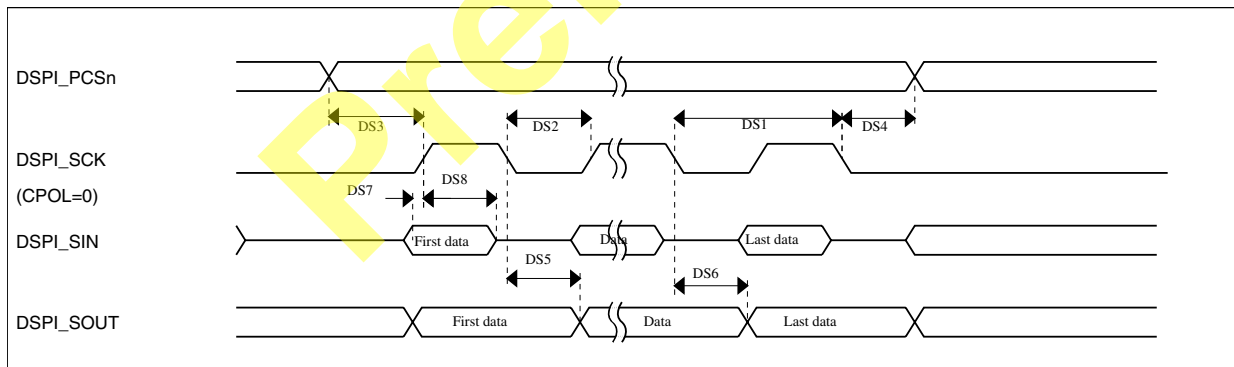
## 6.8.5 DSPI Switching Specifications for Low-speed Operation

The DMA Serial Peripheral Interface (DSPI) provides a synchronous serial bus with master and slave operations. Many of the transfer attributes are programmable. The tables below provides DSPI timing characteristics for classic SPI timing modes. Refer to the DSPI chapter of the Reference Manual for information on the modified transfer formats used for communicating with slower peripheral devices.

**Table 38. Master Mode DSPI Timing (Low-speed mode)**

Num	Description	Min.	Max.	Unit	Notes
	Operating voltage	1.71	3.6	V	1
	Frequency of operation	—	12.5	MHz	
DS1	DSPI_SCK output cycle time	$4 \times t_{BCLK}$	—	ns	
DS2	DSPI_SCK output high/low time	$(t_{SCK}/2) - 4$	$(t_{SCK}/2) + 4$	ns	
DS3	DSPI_PCS <sub>n</sub> to DSPI_SCK output valid	$(t_{SCK}/2) - 4$	—	ns	
DS4	DSPI_SCK to DSPI_PCS <sub>n</sub> output hold	$(t_{SCK}/2) - 4$	—	ns	
DS5	DSPI_SCK to DSPI_SOUT valid	—	10	ns	
DS6	DSPI_SCK to DSPI_SOUT invalid	-2	—	ns	
DS7	DSPI_SIN to DSPI_SCK input setup	15	—	ns	
DS8	DSPI_SCK to DSPI_SIN input hold	0	—	ns	

- The DSPI module can operate across the entire operating voltage for the processor, but to run across the full voltage range the maximum frequency of operation is reduced.



**Figure 20. DSPI Classic SPI Timing — Master Mode**

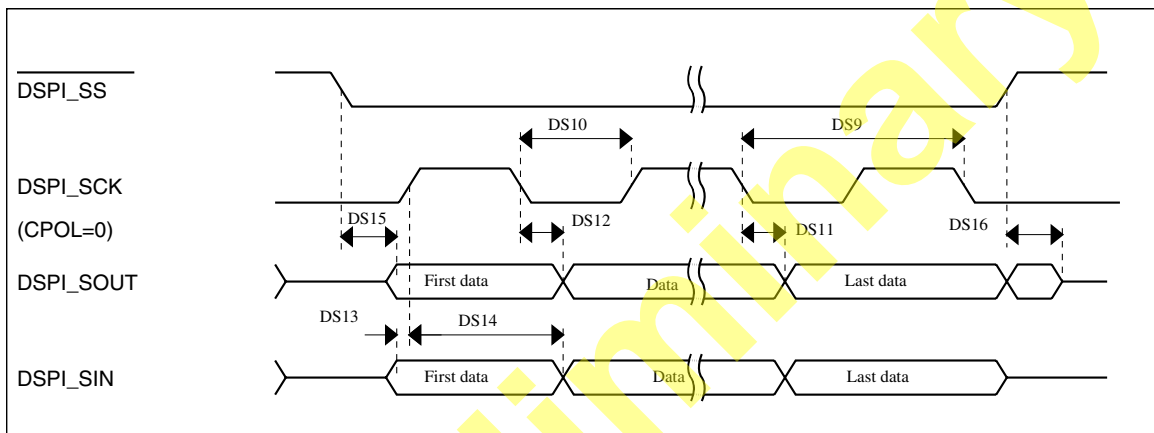
**Table 39. Slave Mode DSPI Timing (Low-speed Mode)**

Num	Description	Min.	Max.	Unit
	Operating voltage	1.71	3.6	V
	Frequency of operation	—	6.25	MHz
DS9	DSPI_SCK input cycle time	$8 \times t_{BCLK}$	—	ns

Table continues on the next page...

**Table 39. Slave Mode DSPI Timing (Low-speed Mode) (continued)**

Num	Description	Min.	Max.	Unit
DS10	DSPI_SCK input high/low time	$(t_{SCK/2}) - 4$	$(t_{SCK/2}) + 4$	ns
DS11	DSPI_SCK to DSPI_SOUT valid	—	20	ns
DS12	DSPI_SCK to DSPI_SOUT invalid	0	—	ns
DS13	DSPI_SIN to DSPI_SCK input setup	5	—	ns
DS14	DSPI_SCK to DSPI_SIN input hold	15	—	ns
DS15	$\overline{\text{DSPI\_SS}}$ active to DSPI_SOUT driven	—	15	ns
DS16	$\overline{\text{DSPI\_SS}}$ inactive to DSPI_SOUT not driven	—	15	ns

**Figure 21. DSPI Classic SPI Timing — Slave Mode**

### 6.8.6 DSPI Switching Specifications (High-speed mode)

The DMA Serial Peripheral Interface (DSPI) provides a synchronous serial bus with master and slave operations. Many of the transfer attributes are programmable. The tables below provide DSPI timing characteristics for classic SPI timing modes. Refer to the DSPI chapter of the Reference Manual for information on the modified transfer formats used for communicating with slower peripheral devices.

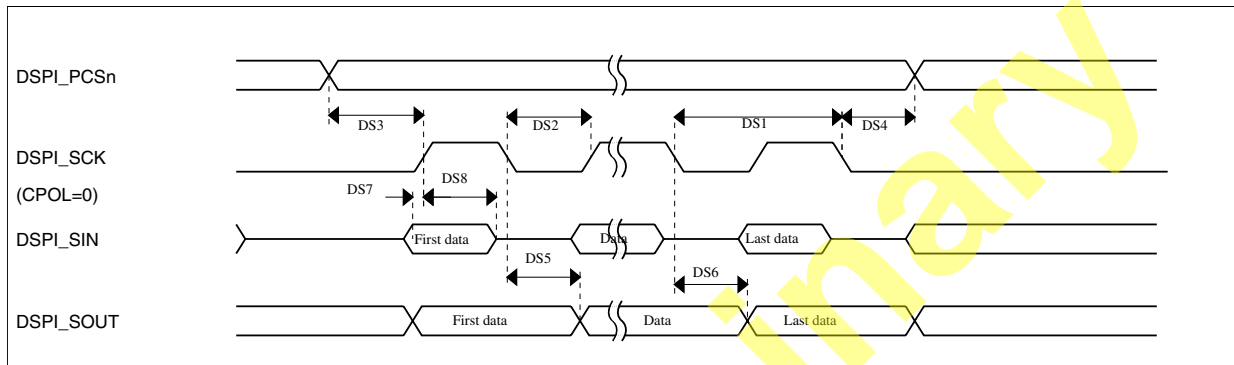
**Table 40. Master Mode DSPI Timing (High-speed mode)**

Num	Description	Min.	Max.	Unit
	Operating voltage	2.7	3.6	V
	Frequency of operation	—	25	MHz
DS1	DSPI_SCK output cycle time	$2 \times t_{BCLK}$	—	ns
DS2	DSPI_SCK output high/low time	$(t_{SCK/2}) - 2$	$(t_{SCK/2}) + 2$	ns
DS3	DSPI_PCS <sub>n</sub> to DSPI_SCK output valid	$(t_{SCK/2}) - 2$	—	ns

Table continues on the next page...

**Table 40. Master Mode DSPI Timing (High-speed mode) (continued)**

Num	Description	Min.	Max.	Unit
DS4	DSPI_SCK to DSPI_PCSn output hold	$(t_{SCK}/2) - 2$	—	ns
DS5	DSPI_SCK to DSPI_SOUT valid	—	8.5	ns
DS6	DSPI_SCK to DSPI_SOUT invalid	-2	—	ns
DS7	DSPI_SIN to DSPI_SCK input setup	TBD	—	ns
DS8	DSPI_SCK to DSPI_SIN input hold	0	—	ns

**Figure 22. DSPI Classic SPI Timing — Master Mode****Table 41. Slave Mode DSPI Timing (High-speed mode)**

Num	Description	Min.	Max.	Unit
	Operating voltage	2.7	3.6	V
	Frequency of operation		12.5	MHz
DS9	DSPI_SCK input cycle time	$4 \times t_{BCLK}$	—	ns
DS10	DSPI_SCK input high/low time	$(t_{SCK}/2) - 2$	$(t_{SCK}/2) + 2$	ns
DS11	DSPI_SCK to DSPI_SOUT valid	—	TBD	ns
DS12	DSPI_SCK to DSPI_SOUT invalid	0	—	ns
DS13	DSPI_SIN to DSPI_SCK input setup	2	—	ns
DS14	DSPI_SCK to DSPI_SIN input hold	7	—	ns
DS15	$\overline{DSPI\_SS}$ active to DSPI_SOUT driven	—	14	ns
DS16	$\overline{DSPI\_SS}$ inactive to DSPI_SOUT not driven	—	14	ns

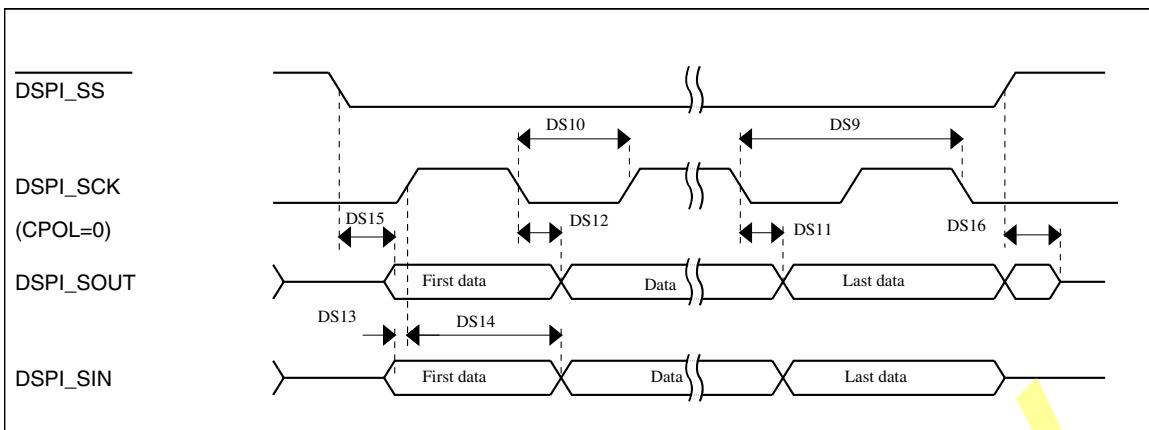


Figure 23. DSPI Classic SPI Timing — Slave Mode

### 6.8.7 SDHC Specifications

The following timing specs are defined at the chip I/O pin and must be translated appropriately to arrive at timing specs/constraints for the physical interface.

Table 42. SDHC switching specifications

Num	Symbol	Description	Min.	Max.	Unit
<b>Card input clock</b>					
SD1	fpp	Clock frequency (low speed)	0	400	kHz
	fpp	Clock frequency (SD\SDIO full speed)	0	25	MHz
	fpp	Clock frequency (MMC full speed)	0	20	MHz
	f <sub>OD</sub>	Clock frequency (identification mode)	0	400	kHz
SD2	t <sub>WL</sub>	Clock low time	7	—	ns
SD3	t <sub>WH</sub>	Clock high time	7	—	ns
SD4	t <sub>TLH</sub>	Clock rise time	—	3	ns
SD5	t <sub>THL</sub>	Clock fall time	—	3	ns
<b>SDHC output / card inputs SDHC_CMD, SDHC_DAT (reference to SDHC_CLK)</b>					
SD6	t <sub>OD</sub>	SDHC output delay (output valid)	-5	6.5	ns
<b>SDHC input / card inputs SDHC_CMD, SDHC_DAT (reference to SDHC_CLK)</b>					
SD7	t <sub>THL</sub>	SDHC input setup time	5	—	ns
SD8	t <sub>THL</sub>	SDHC input hold time	0	—	ns

www.DataSheet4U.com



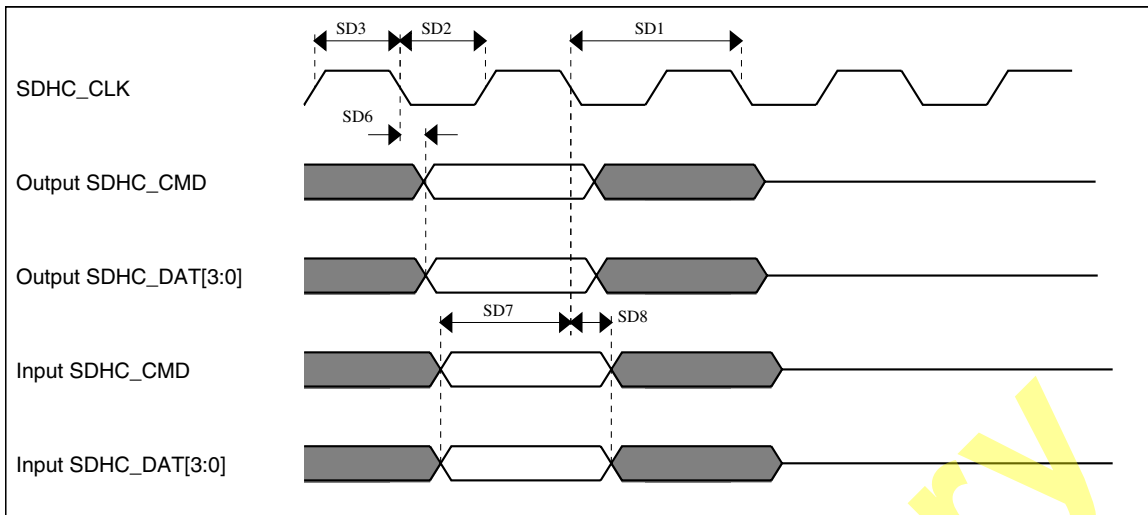


Figure 24. SDHC timing

### 6.8.8 I<sup>2</sup>S Switching Specifications

This section provides the AC timings for the I<sup>2</sup>S in master (clocks driven) and slave modes (clocks input). All timings are given for non-inverted serial clock polarity (TCR[TSCKP] = 0, RCR[RSCKP] = 0) and a non-inverted frame sync (TCR[TFSI] = 0, RCR[RFSI] = 0). If the polarity of the clock and/or the frame sync have been inverted, all the timings remain valid by inverting the clock signal (I2S\_BCLK) and/or the frame sync (I2S\_FS) shown in the figures below.

Table 43. I<sup>2</sup>S master mode timing

Num	Description	Min.	Max.	Unit
	Operating voltage	2.7	3.6	V
S1	I2S_MCLK cycle time	2 x t <sub>sys</sub>		ns
S2	I2S_MCLK pulse width high/low	45%	55%	MCLK period
S3	I2S_BCLK cycle time	5 x t <sub>sys</sub>	—	ns
S4	I2S_BCLK pulse width high/low	45%	55%	BCLK period
S5	I2S_BCLK to I2S_FS output valid	—	15	ns
S6	I2S_BCLK to I2S_FS output invalid	-2.5	—	ns
S7	I2S_BCLK to I2S_TXD valid	—	15	ns
S8	I2S_BCLK to I2S_TXD invalid	-3	—	ns
S9	I2S_RXD/I2S_FS input setup before I2S_BCLK	20	—	ns
S10	I2S_RXD/I2S_FS input hold after I2S_BCLK	0	—	ns

## Peripheral operating requirements and behaviors

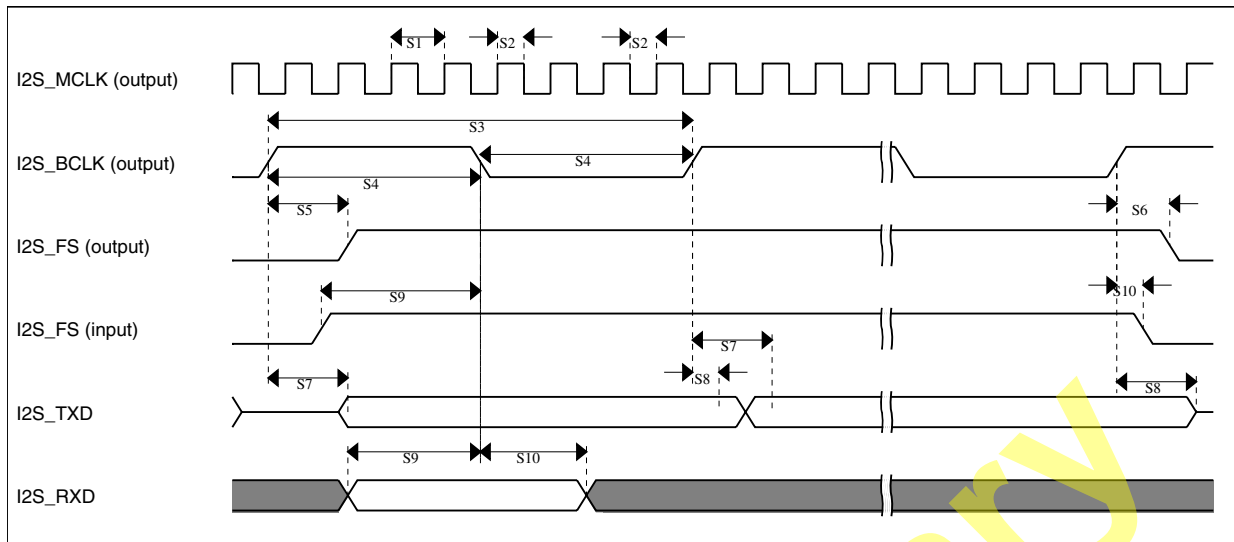


Figure 25. I<sup>2</sup>S timing — master mode

Table 44. I<sup>2</sup>S slave mode timing

Num	Description	Min.	Max.	Unit
	Operating voltage	2.7	3.6	V
S11	I2S_BCLK cycle time (input)	8 x t <sub>SYS</sub>	—	ns
S12	I2S_BCLK pulse width high/low (input)	45%	55%	MCLK period
S13	I2S_FS input setup before I2S_BCLK	10	—	ns
S14	I2S_FS input hold after I2S_BCLK	3	—	ns
S15	I2S_BCLK to I2S_TXD/I2S_FS output valid	—	20	ns
S16	I2S_BCLK to I2S_TXD/I2S_FS output invalid	0	—	ns
S17	I2S_RXD setup before I2S_BCLK	10	—	ns
S18	I2S_RXD hold after I2S_BCLK	2	—	ns

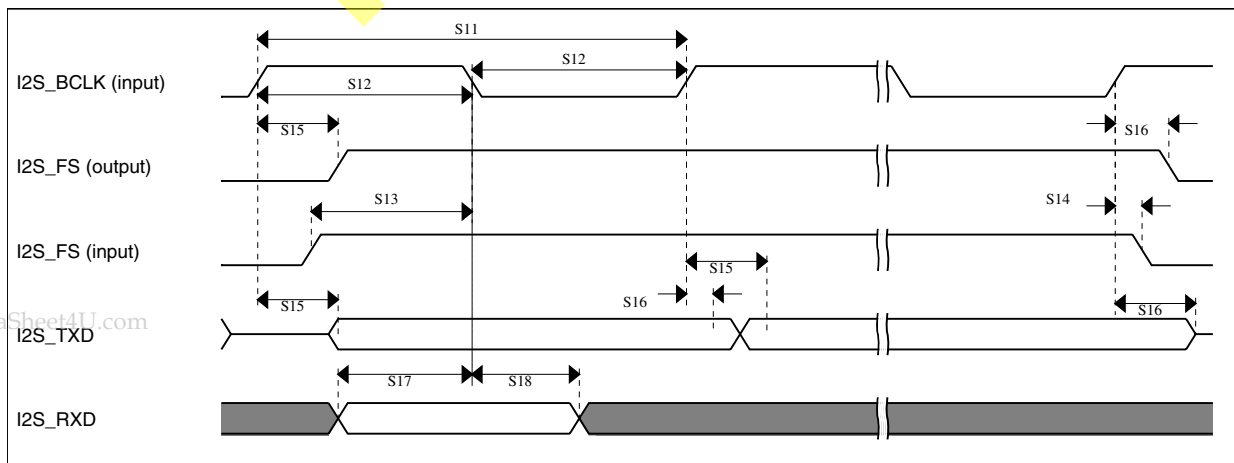


Figure 26. I<sup>2</sup>S timing — slave modes

## 6.9 Human-machine interfaces (HMI)

### 6.9.1 General Switching Specifications

These general purpose specifications apply to all signals configured for GPIO, SCI, FlexCAN, CMT, I<sup>2</sup>C, and IEEE 1588 timer signals.

**Table 45. General switching specifications**

Symbol	Description	Min.	Max.	Unit	Notes
	GPIO pin interrupt pulse width (digital glitch filter disabled) — Synchronous path	1.5	—	Bus clock cycles	1
	GPIO pin interrupt pulse width (digital glitch filter disabled, analog filter enabled) — Asynchronous path	100	—	ns	2
	GPIO pin interrupt pulse width (digital glitch filter disabled, analog filter disabled) — Asynchronous path	16	—	ns	2
	External reset pulse width (digital glitch filter disabled)	TBD	—		
	Mode select ( $\overline{\text{EZP\_CS}}$ ) hold time after reset deassertion	2	—	Bus clock cycles	
	Port rise and fall time (high drive strength)				3
	• Slew disabled	—	12	ns	
	• Slew enabled	—	36	ns	
	Port rise and fall time (low drive strength)				4
	• Slew disabled	—	32	ns	
	• Slew enabled	—	36	ns	

1. The greater synchronous and asynchronous timing must be met.
2. This is the shortest pulse that is guaranteed to be recognized.
3. 75pF load
4. 15pF load

### 6.9.2 TSI Electrical Specifications

**Table 46. Touch Sensing Input module specifications**

Symbol	Description	Min.	Typ.	Max.	Unit	Notes
V <sub>DDTSI</sub>	Operating voltage	1.71	—	3.6	V	
C <sub>ELE</sub>	Target electrode capacitance range	1	20	500	pF	1
f <sub>REFmax</sub>	Reference oscillator frequency	—	5.5	TBD	MHz	

Table continues on the next page...

**Table 46. Touch Sensing Input module specifications (continued)**

Symbol	Description	Min.	Typ.	Max.	Unit	Notes
$f_{\text{ELEmax}}$	Electrode oscillator frequency	—	0.5	TBD	MHz	
$C_{\text{REF}}$	Internal reference capacitor	TBD	1	TBD	pF	
$V_{\text{DELTA}}$	Oscillator delta voltage	TBD	600	TBD	mV	
$I_{\text{REF}}$	Reference oscillator current source base current	TBD	1	TBD	$\mu\text{A}$	2
$I_{\text{ELE}}$	Electrode oscillator current source base current	TBD	1	TBD	$\mu\text{A}$	3
Pres5	Electrode capacitance measurement precision	—	TBD	TBD	%	4
Pres20	Electrode capacitance measurement precision	—	TBD	TBD	%	5
Pres100	Electrode capacitance measurement precision	—	TBD	TBD	%	6
Max-Sens20	Max sensitivity @ 20pF electrode	0.15	0.326	600	fF	7
MaxSens	Maximum sensitivity	0.006	0.326	24	fF	8
Res	Resolution	—	—	16	bits	
$T_{\text{Con20}}$	Response time @ 20pF	—	30	—	$\mu\text{s}$	9
$I_{\text{TSL\_RUN}}$	Current added in run mode	—	TBD	—	$\mu\text{A}$	
$I_{\text{TSL\_LP}}$	Low power mode current adder	—	1	TBD	$\mu\text{A}$	

1. The TSI module is functional with capacitance values outside of this range. However, optimal performance is not guaranteed.
2. The programmable current source value is generated by multiplying the SCANC[REFCHRG] value and the base current
3. The programmable current source value is generated by multiplying the SCANC[EXTCHRG] value and the base current
4. Measured with a 5pF electrode, reference oscillator frequency of 10MHz, PS = 128, NCSC = 8; Iext = 16
5. Measured with a 20pF electrode, reference oscillator frequency of 10MHz, PS = 128, NCSC = 2; Iext = 16
6. Measured with a 20pF electrode, reference oscillator frequency of 10MHz, PS = 16, NCSC = 3; Iext = 16
7. 6.2ms scan time
8. 1pF electrode capacitance with 4.96ms scan time
9. Time that takes to do one complete measurement of the electrode. Sensitivity resolution of 0.0133pF

## 7 Dimensions

### 7.1 Obtaining package dimensions

Package dimensions are provided in package drawings.

To find a package drawing, go to [www.freescale.com](http://www.freescale.com) and perform a keyword search for the drawing's document number:

If you want the drawing for this package	Then use this document number
144-pin LQFP	98ASS23177W
144-pin MAPBGA	98ASA00222D

## 8 Pinout

### 8.1 K60 Signal Multiplexing and Pin Assignments

The following table shows the signals available on each pin and the locations of these pins on the devices supported by this document. The Port Control Module is responsible for selecting which ALT functionality is available on each pin.

144 QFP	144 BGA	Default	ALT0	ALT1	ALT2	ALT3	ALT4	ALT5	ALT6	ALT7	EzPort
—	L5	NC	NC								
—	M5	NC	NC								
—	A10	NC	NC								
—	B10	NC	NC								
—	C10	NC	NC								
1	D3	ADC1_SE4a	ADC1_SE4a	PTE0	SPI1_PCS1	UART1_TX	SDHC0_D1		I2C1_SDA		
2	D2	ADC1_SE5a	ADC1_SE5a	PTE1	SPI1_SOUT	UART1_RX	SDHC0_D0		I2C1_SCL		
3	D1	ADC1_SE6a	ADC1_SE6a	PTE2	SPI1_SCK	UART1_CTS_b	SDHC0_DCLK				
4	E4	ADC1_SE7a	ADC1_SE7a	PTE3	SPI1_SIN	UART1_RTS_b	SDHC0_CMD				
5	E5	VDD	VDD								
6	F6	VSS	VSS								
7	E3	DISABLED		PTE4	SPI1_PCS0	UART3_TX	SDHC0_D3				
8	E2	DISABLED		PTE5	SPI1_PCS2	UART3_RX	SDHC0_D2				
9	E1	DISABLED		PTE6	SPI1_PCS3	UART3_CTS_b	I2S0_MCLK		I2S0_CLKIN		
10	F4	DISABLED		PTE7		UART3_RTS_b	I2S0_RXD				
11	F3	DISABLED		PTE8		UART5_TX	I2S0_RX_FS				
12	F2	DISABLED		PTE9		UART5_RX	I2S0_RX_BCLK				
13	F1	DISABLED		PTE10		UART5_CTS_b	I2S0_TXD				
14	G4	DISABLED		PTE11		UART5_RTS_b	I2S0_TX_FS				
15	G3	DISABLED		PTE12			I2S0_TX_BCLK				
16	E6	VDD	VDD								
17	F7	VSS	VSS								
18	H3	VSS	VSS								
19	H1	USB0_DP	USB0_DP								
20	H2	USB0_DM	USB0_DM								

## Pinout

144 QFP	144 BGA	Default	ALT0	ALT1	ALT2	ALT3	ALT4	ALT5	ALT6	ALT7	EzPort
21	G1	VOUT33	VOUT33								
22	G2	VREGIN	VREGIN								
23	J1	ADC0_DP1	ADC0_DP1								
24	J2	ADC0_DM1	ADC0_DM1								
25	K1	ADC1_DP1	ADC1_DP1								
26	K2	ADC1_DM1	ADC1_DM1								
27	L1	PGA0_DP/ ADC0_DP0/ ADC1_DP3	PGA0_DP/ ADC0_DP0/ ADC1_DP3								
28	L2	PGA0_DM/ ADC0_DM0/ ADC1_DM3	PGA0_DM/ ADC0_DM0/ ADC1_DM3								
29	M1	PGA1_DP/ ADC1_DP0/ ADC0_DP3	PGA1_DP/ ADC1_DP0/ ADC0_DP3								
30	M2	PGA1_DM/ ADC1_DM0/ ADC0_DM3	PGA1_DM/ ADC1_DM0/ ADC0_DM3								
31	H5	VDDA	VDDA								
32	G5	VREFH	VREFH								
33	G6	VREFL	VREFL								
34	H6	VSSA	VSSA								
35	K3	ADC1_SE16	ADC1_SE16								
36	J3	ADC0_SE16	ADC0_SE16								
37	M3	VREF_OUT	VREF_OUT								
38	L3	DAC0_OUT	DAC0_OUT								
39	L4	DAC1_OUT	DAC1_OUT								
40	M7	XTAL32	XTAL32								
41	M6	EXTAL32	EXTAL32								
42	L6	VBAT	VBAT								
43	—	VDD	VDD								
44	—	VSS	VSS								
45	M4	ADC0_SE17	ADC0_SE17	PTE24	CAN1_TX	UART4_TX			EWM_OUT_b		
46	K5	ADC0_SE18	ADC0_SE18	PTE25	CAN1_RX	UART4_RX			EWM_IN		
47	K4	DISABLED		PTE26		UART4_CTS_b	ENET_1588_CLKIN		RTC_CLKOUT	USB_CLKIN	
48	J4	DISABLED		PTE27		UART4_RTS_b					
49	H4	DISABLED		PTE28							
50	J5	JTAG_TCLK/ SWD_CLK/ EZP_CLK	TSI0_CH1	PTA0	UART0_CTS_b	FTM0_CH5				JTAG_TCLK/ SWD_CLK	EZP_CLK
51	J6	JTAG_TDI/ EZP_DI	TSI0_CH2	PTA1	UART0_RX	FTM0_CH6				JTAG_TDI	EZP_DI

144 QFP	144 BGA	Default	ALT0	ALT1	ALT2	ALT3	ALT4	ALT5	ALT6	ALT7	EzPort
52	K6	JTAG_TDO/ TRACE_SW O/EZP_DO	TSIO_CH3	PTA2	UART0_TX	FTM0_CH7				JTAG_TDO/ TRACE_SW O	EZP_DO
53	K7	JTAG_TMS/ SWD_DIO	TSIO_CH4	PTA3	UART0_RTS _b	FTM0_CH0				JTAG_TMS/ SWD_DIO	
54	L7	NMI_b/ EZP_CS_b	TSIO_CH5	PTA4		FTM0_CH1				NMI_b	EZP_CS_b
55	M8	JTAG_TRST		PTA5		FTM0_CH2	RMII0_RXER/ MII0_RXER	CMP2_OUT	I2S0_RX_BC LK	JTAG_TRST	
56	E7	VDD	VDD								
57	G7	VSS	VSS								
58	J7	DISABLED		PTA6		FTM0_CH3				TRACE_CLK OUT	
59	J8	ADC0_SE10	ADC0_SE10	PTA7		FTM0_CH4				TRACE_D3	
60	K8	ADC0_SE11	ADC0_SE11	PTA8		FTM1_CH0			FTM1_QD_P HA	TRACE_D2	
61	L8	DISABLED		PTA9		FTM1_CH1	MII0_RXD3		FTM1_QD_P HB	TRACE_D1	
62	M9	DISABLED		PTA10		FTM2_CH0	MII0_RXD2		FTM2_QD_P HA	TRACE_D0	
63	L9	DISABLED		PTA11		FTM2_CH1	MII0_RXCLK		FTM2_QD_P HB		
64	K9	CMP2_IN0	CMP2_IN0	PTA12	CAN0_TX	FTM1_CH0	RMII0_RXD1/ MII0_RXD1		I2S0_TXD	FTM1_QD_P HA	
65	J9	CMP2_IN1	CMP2_IN1	PTA13	CAN0_RX	FTM1_CH1	RMII0_RXD0/ MII0_RXD0		I2S0_TX_FS	FTM1_QD_P HB	
66	L10	DISABLED		PTA14	SPI0_PCS0	UART0_TX	RMII0_CRS_ DV/ MII0_RXDV		I2S0_TX_BC LK		
67	L11	DISABLED		PTA15	SPI0_SCK	UART0_RX	RMII0_TXEN/ MII0_TXEN		I2S0_RXD		
68	K10	DISABLED		PTA16	SPI0_SOUT	UART0_CTS _b	RMII0_TXD0/ MII0_TXD0		I2S0_RX_FS		
69	K11	ADC1_SE17	ADC1_SE17	PTA17	SPI0_SIN	UART0_RTS _b	RMII0_TXD1/ MII0_TXD1		I2S0_MCLK	I2S0_CLKIN	
70	E8	VDD	VDD								
71	G8	VSS	VSS								
72	M12	EXTAL	EXTAL	PTA18		FTM0_FLT2	FTM_CLKIN0				
73	M11	XTAL	XTAL	PTA19		FTM1_FLT0	FTM_CLKIN1		LPT0_ALT1		
74	L12	RESET_b	RESET_b								
75	K12	DISABLED		PTA24			MII0_TXD2		FB_A29		
76	J12	DISABLED		PTA25			MII0_TXCLK		FB_A28		
77	J11	DISABLED		PTA26			MII0_TXD3		FB_A27		
78	J10	DISABLED		PTA27			MII0_CRS		FB_A26		
79	H12	DISABLED		PTA28			MII0_TXER		FB_A25		
80	H11	DISABLED		PTA29			MII0_COL		FB_A24		

## Pinout

144 QFP	144 BGA	Default	ALT0	ALT1	ALT2	ALT3	ALT4	ALT5	ALT6	ALT7	EzPort
81	H10	ADC0_SE8/ ADC1_SE8/ TSI0_CH0	ADC0_SE8/ ADC1_SE8/ TSI0_CH0	PTB0	I2C0_SCL	FTM1_CH0	RMII0_MDIO/ MII0_MDIO		FTM1_QD_P HA		
82	H9	ADC0_SE9/ ADC1_SE9/ TSI0_CH6	ADC0_SE9/ ADC1_SE9/ TSI0_CH6	PTB1	I2C0_SDA	FTM1_CH1	RMII0_MDC/ MII0_MDC		FTM1_QD_P HB		
83	G12	ADC0_SE12/ TSI0_CH7	ADC0_SE12/ TSI0_CH7	PTB2	I2C0_SCL	UART0_RTS _b	ENET0_1588 _TMR0		FTM0_FLT3		
84	G11	ADC0_SE13/ TSI0_CH8	ADC0_SE13/ TSI0_CH8	PTB3	I2C0_SDA	UART0_CTS _b	ENET0_1588 _TMR1		FTM0_FLT0		
85	G10	ADC1_SE10	ADC1_SE10	PTB4			ENET0_1588 _TMR2		FTM1_FLT0		
86	G9	ADC1_SE11	ADC1_SE11	PTB5			ENET0_1588 _TMR3		FTM2_FLT0		
87	F12	ADC1_SE12	ADC1_SE12	PTB6				FB_AD23			
88	F11	ADC1_SE13	ADC1_SE13	PTB7				FB_AD22			
89	F10	DISABLED		PTB8		UART3_RTS _b		FB_AD21			
90	F9	DISABLED		PTB9	SPI1_PCS1	UART3_CTS _b		FB_AD20			
91	E12	ADC1_SE14	ADC1_SE14	PTB10	SPI1_PCS0	UART3_RX		FB_AD19	FTM0_FLT1		
92	E11	ADC1_SE15	ADC1_SE15	PTB11	SPI1_SCK	UART3_TX		FB_AD18	FTM0_FLT2		
93	H7	VSS	VSS								
94	F5	VDD	VDD								
95	E10	TSI0_CH9	TSI0_CH9	PTB16	SPI1_SOUT	UART0_RX		FB_AD17	EWM_IN		
96	E9	TSI0_CH10	TSI0_CH10	PTB17	SPI1_SIN	UART0_TX		FB_AD16	EWM_OUT_b		
97	D12	TSI0_CH11	TSI0_CH11	PTB18	CAN0_TX	FTM2_CH0	I2S0_TX_BC LK	FB_AD15	FTM2_QD_P HA		
98	D11	TSI0_CH12	TSI0_CH12	PTB19	CAN0_RX	FTM2_CH1	I2S0_TX_FS	FB_OE_b	FTM2_QD_P HB		
99	D10	DISABLED		PTB20	SPI2_PCS0			FB_AD31	CMP0_OUT		
100	D9	DISABLED		PTB21	SPI2_SCK			FB_AD30	CMP1_OUT		
101	C12	DISABLED		PTB22	SPI2_SOUT			FB_AD29	CMP2_OUT		
102	C11	DISABLED		PTB23	SPI2_SIN	SPI0_PCS5		FB_AD28			
103	B12	ADC0_SE14/ TSI0_CH13	ADC0_SE14/ TSI0_CH13	PTC0	SPI0_PCS4	PDB0_EXTR G	I2S0_TXD	FB_AD14			
104	B11	ADC0_SE15/ TSI0_CH14	ADC0_SE15/ TSI0_CH14	PTC1	SPI0_PCS3	UART1_RTS _b	FTM0_CH0	FB_AD13			
105	A12	ADC0_SE4b/ CMP1_IN0/ TSI0_CH15	ADC0_SE4b/ CMP1_IN0/ TSI0_CH15	PTC2	SPI0_PCS2	UART1_CTS _b	FTM0_CH1	FB_AD12			
106	A11	CMP1_IN1	CMP1_IN1	PTC3	SPI0_PCS1	UART1_RX	FTM0_CH2	FB_CLKOUT			
107	H8	VSS	VSS								
108	—	VDD	VDD								
109	A9	DISABLED		PTC4	SPI0_PCS0	UART1_TX	FTM0_CH3	FB_AD11	CMP1_OUT		
110	D8	DISABLED		PTC5	SPI0_SCK		LPT0_ALT2	FB_AD10	CMP0_OUT		



144 QFP	144 BGA	Default	ALT0	ALT1	ALT2	ALT3	ALT4	ALT5	ALT6	ALT7	EzPort
111	C8	CMP0_IN0	CMP0_IN0	PTC6	SPI0_SOUT	PDB0_EXTRG		FB_AD9			
112	B8	CMP0_IN1	CMP0_IN1	PTC7	SPI0_SIN			FB_AD8			
113	A8	ADC1_SE4b/ CMP0_IN2	ADC1_SE4b/ CMP0_IN2	PTC8		I2S0_MCLK	I2S0_CLKIN	FB_AD7			
114	D7	ADC1_SE5b/ CMP0_IN3	ADC1_SE5b/ CMP0_IN3	PTC9			I2S0_RX_BCLK	FB_AD6	FTM2_FLT0		
115	C7	ADC1_SE6b/ CMP0_IN4	ADC1_SE6b/ CMP0_IN4	PTC10	I2C1_SCL		I2S0_RX_FS	FB_AD5			
116	B7	ADC1_SE7b	ADC1_SE7b	PTC11	I2C1_SDA		I2S0_RXD	FB_RW_b			
117	A7	DISABLED		PTC12		UART4_RTS_b		FB_AD27			
118	D6	DISABLED		PTC13		UART4_CTS_b		FB_AD26			
119	C6	DISABLED		PTC14		UART4_RX		FB_AD25			
120	B6	DISABLED		PTC15		UART4_TX		FB_AD24			
121	—	VSS	VSS								
122	—	VDD	VDD								
123	A6	DISABLED		PTC16	CAN1_RX	UART3_RX	ENET0_1588_TMR0	FB_CS5_b/ FB_TSI21/ FB_BE23_16_BLS15_8_b			
124	D5	DISABLED		PTC17	CAN1_TX	UART3_TX	ENET0_1588_TMR1	FB_CS4_b/ FB_TSI20/ FB_BE31_24_BLS7_0_b			
125	C5	DISABLED		PTC18		UART3_RTS_b	ENET0_1588_TMR2	FB_TBST_b/ FB_CS2_b/ FB_BE15_8_BLS23_16_b			
126	B5	DISABLED		PTC19		UART3_CTS_b	ENET0_1588_TMR3	FB_CS3_b/ FB_BE7_0_BLS31_24_b	FB_TA_b		
127	A5	DISABLED		PTD0	SPI0_PCS0	UART2_RTS_b		FB_ALE/ FB_CS1_b/ FB_TS_b			
128	D4	ADC0_SE5b	ADC0_SE5b	PTD1	SPI0_SCK	UART2_CTS_b		FB_CS0_b			
129	C4	DISABLED		PTD2	SPI0_SOUT	UART2_RX		FB_AD4			
130	B4	DISABLED		PTD3	SPI0_SIN	UART2_TX		FB_AD3			
131	A4	DISABLED		PTD4	SPI0_PCS1	UART0_RTS_b	FTM0_CH4	FB_AD2	EWM_IN		
132	A3	ADC0_SE6b	ADC0_SE6b	PTD5	SPI0_PCS2	UART0_CTS_b	FTM0_CH5	FB_AD1	EWM_OUT_b		
133	A2	ADC0_SE7b	ADC0_SE7b	PTD6	SPI0_PCS3	UART0_RX	FTM0_CH6	FB_AD0	FTM0_FLT0		
134	M10	VSS	VSS								
135	F8	VDD	VDD								

## Pinout

144 QFP	144 BGA	Default	ALT0	ALT1	ALT2	ALT3	ALT4	ALT5	ALT6	ALT7	EzPort
136	A1	DISABLED		PTD7	CMT_IRO	UART0_TX	FTM0_CH7		FTM0_FLT1		
137	C9	DISABLED		PTD8	I2C0_SCL	UART5_RX			FB_A16		
138	B9	DISABLED		PTD9	I2C0_SDA	UART5_TX			FB_A17		
139	B3	DISABLED		PTD10		UART5_RTS_b			FB_A18		
140	B2	DISABLED		PTD11	SPI2_PCS0	UART5_CTS_b	SDHC0_CLKIN		FB_A19		
141	B1	DISABLED		PTD12	SPI2_SCK		SDHC0_D4		FB_A20		
142	C3	DISABLED		PTD13	SPI2_SOUT		SDHC0_D5		FB_A21		
143	C2	DISABLED		PTD14	SPI2_SIN		SDHC0_D6		FB_A22		
144	C1	DISABLED		PTD15	SPI2_PCS1		SDHC0_D7		FB_A23		

## 8.2 K60 Pinouts

The below figure shows the pinout diagram for the devices supported by this document. Many signals may be multiplexed onto a single pin. To determine what signals can be used on which pin, see the previous section.

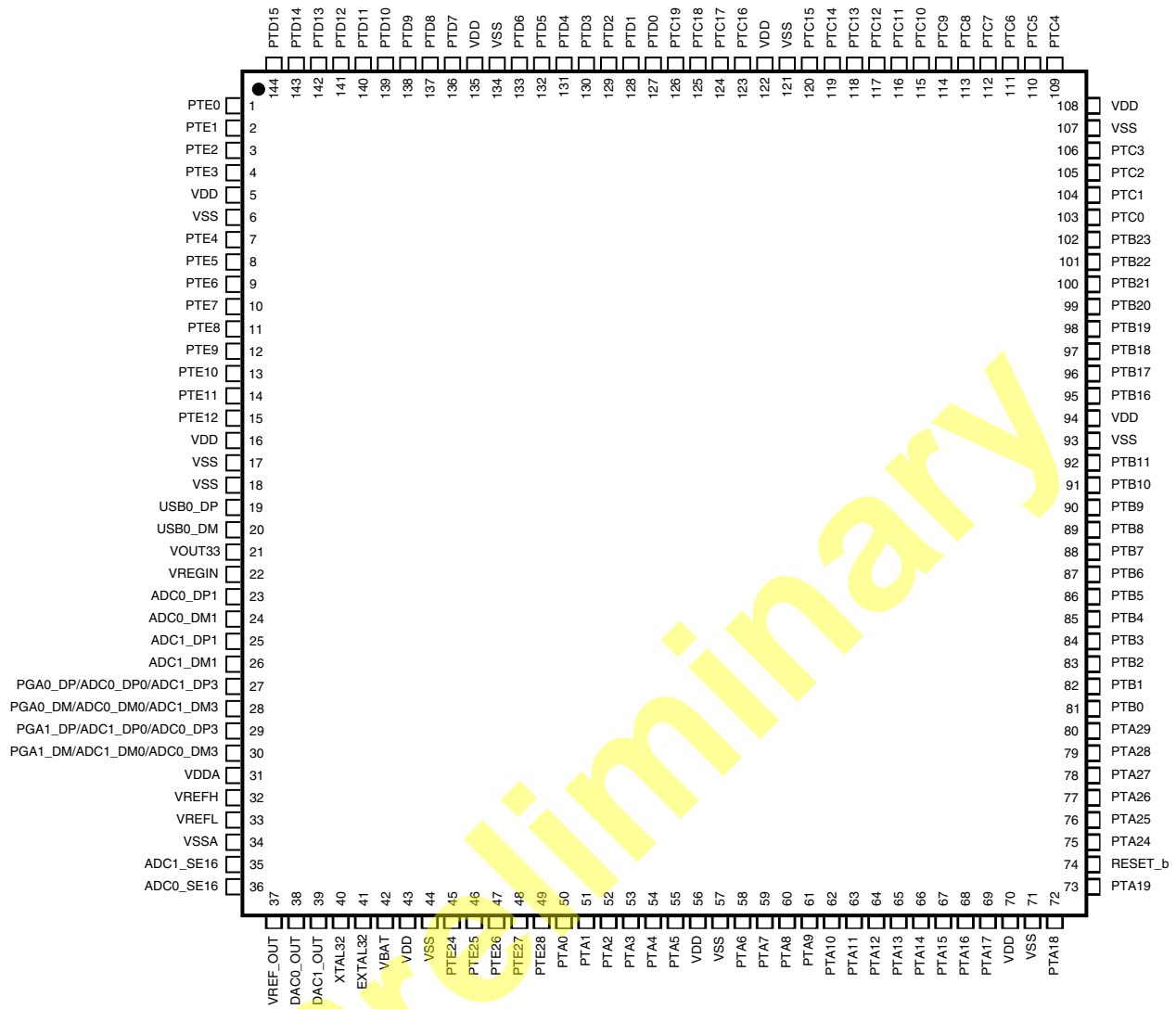


Figure 27. K60 144 LQFP Pinout Diagram

## Revision History

	1	2	3	4	5	6	7	8	9	10	11	12	
A	PTD7	PTD6	PTD5	PTD4	PTD0	PTC16	PTC12	PTC8	PTC4	NC	PTC3	PTC2	A
B	PTD12	PTD11	PTD10	PTD3	PTC19	PTC15	PTC11	PTC7	PTD9	NC	PTC1	PTC0	B
C	PTD15	PTD14	PTD13	PTD2	PTC18	PTC14	PTC10	PTC6	PTD8	NC	PTB23	PTB22	C
D	PTE2	PTE1	PTE0	PTD1	PTC17	PTC13	PTC9	PTC5	PTB21	PTB20	PTB19	PTB18	D
E	PTE6	PTE5	PTE4	PTE3	VDD	VDD	VDD	VDD	PTB17	PTB16	PTB11	PTB10	E
F	PTE10	PTE9	PTE8	PTE7	VDD	VSS	VSS	VDD	PTB9	PTB8	PTB7	PTB6	F
G	VOUT33	VREGIN	PTE12	PTE11	VREFH	VREFL	VSS	VSS	PTB5	PTB4	PTB3	PTB2	G
H	USB0_DP	USB0_DM	VSS	PTE28	VDDA	VSSA	VSS	VSS	PTB1	PTB0	PTA29	PTA28	H
J	ADC0_DP1	ADC0_DM1	ADC0_SE16	PTE27	PTA0	PTA1	PTA6	PTA7	PTA13	PTA27	PTA26	PTA25	J
K	ADC1_DP1/	ADC1_DM1	ADC1_SE16	PTE26	PTE25	PTA2	PTA3	PTA8	PTA12	PTA16	PTA17	PTA24	K
L	PGA0_DP/ ADC0_DP0/ ADC1_DP3	PGA0_DM/ ADC0_DM0/ ADC1_DM3	DAC0_OUT	DAC1_OUT	NC	VBAT	PTA4	PTA9	PTA11	PTA14	PTA15	RESET_b	L
M	PGA1_DP/ ADC1_DP0/ ADC0_DP3	PGA1_DM/ ADC1_DM0/ ADC0_DM3	VREF_OUT	PTE24	NC	EXTAL32	XTAL32	PTA5	PTA10	VSS	PTA19	PTA18	M
	1	2	3	4	5	6	7	8	9	10	11	12	

**Figure 28. K60 144 MAPBGA Pinout Diagram**

## 9 Revision History

The following table provides a revision history for this document.

www.DataSheet4U.com

**Table 47. Revision History**

Rev. No.	Date	Substantial Changes
1	11/2010	Initial public revision

## How to Reach Us:

### Home Page:

[www.freescale.com](http://www.freescale.com)

### Web Support:

<http://www.freescale.com/support>

### USA/Europe or Locations Not Listed:

Freescale Semiconductor, Inc.  
Technical Information Center, EL516  
2100 East Elliot Road  
Tempe, Arizona 85284  
1-800-521-6274 or +1-480-768-2130  
[www.freescale.com/support](http://www.freescale.com/support)

### Europe, Middle East, and Africa:

Freescale Halbleiter Deutschland GmbH  
Technical Information Center  
Schatzbogen 7  
81829 Muenchen, Germany  
+44 1296 380 456 (English)  
+46 8 52200080 (English)  
+49 89 92103 559 (German)  
+33 1 69 35 48 48 (French)  
[www.freescale.com/support](http://www.freescale.com/support)

### Japan:

Freescale Semiconductor Japan Ltd. Headquarters  
ARCO Tower 15F  
1-8-1, Shimo-Meguro, Meguro-ku,  
Tokyo 153-0064  
Japan  
0120 191014 or +81 3 5437 9125  
[support.japan@freescale.com](mailto:support.japan@freescale.com)

### Asia/Pacific:

Freescale Semiconductor China Ltd.  
Exchange Building 23F  
No. 118 Jianguo Road  
Chaoyang District  
Beijing 100022  
China  
+86 10 5879 8000  
[support.asia@freescale.com](mailto:support.asia@freescale.com)

Freescale Semiconductor Literature Distribution Center  
P.O. Box 5405  
Denver, Colorado 80217  
1-800-441-2447 or +1-303-675-2140  
Fax: +1-303-675-2150  
[LDCForFreescaleSemiconductor@hibbertgroup.com](mailto:LDCForFreescaleSemiconductor@hibbertgroup.com)

Information in this document is provided solely to enable system and software implementers to use Freescale Semiconductor products. There are no express or implied copyright licenses granted hereunder to design or fabricate any integrated circuits or integrated circuits based on the information in this document.

Freescale Semiconductor reserves the right to make changes without further notice to any products herein. Freescale Semiconductor makes no warranty, representation or guarantee regarding the suitability of its products for any particular purpose, nor does Freescale Semiconductor assume any liability arising out of the application or use of any product or circuit, and specifically disclaims any and all liability, including without limitation consequential or incidental damages. "Typical" parameters that may be provided in Freescale Semiconductor data sheets and/or specifications can and do vary in different applications and actual performance may vary over time. All operating parameters, including "Typicals", must be validated for each customer application by customer's technical experts. Freescale Semiconductor does not convey any license under its patent rights nor the rights of others. Freescale Semiconductor products are not designed, intended, or authorized for use as components in systems intended for surgical implant into the body, or other applications intended to support or sustain life, or for any other application in which the failure of the Freescale Semiconductor product could create a situation where personal injury or death may occur. Should Buyer purchase or use Freescale Semiconductor products for any such unintended or unauthorized application, Buyer shall indemnify and hold Freescale Semiconductor and its officers, employees, subsidiaries, affiliates, and distributors harmless against all claims, costs, damages, and expenses, and reasonable attorney fees arising out of, directly or indirectly, any claim of personal injury or death associated with such unintended or unauthorized use, even if such claim alleges that Freescale Semiconductor was negligent regarding the design or manufacture of the part.

Freescale™ and the Freescale logo are trademarks of Freescale Semiconductor, Inc. ARM is the registered trademark of ARM Limited. ARM Cortex-M4 is the trademark of ARM Limited. All other product or service names are the property of their respective owners.

© Freescale Semiconductor, Inc. 2010. All rights reserved.

K60P144M100SF2

Rev. 1  
11/2010

