

Document Title**512Kx16 bit Low Power Full CMOS Static RAM****Revision History**

| <u>Revision No.</u> | <u>History</u> | <u>Draft Date</u> | <u>Remark</u> |
|----------------------------|--|--------------------------|----------------------|
| 0.0 | Initial draft | October 31, 2002 | Preliminary |
| 0.1 | Revised - Deleted 44-TSOP2-400R package type. - Added Commercial product. | December 11, 2002 | Preliminary |
| 0.11 | Revised - Errata correction : corrected commercial product family name from K6X8016C3B-F to K6X8016C3B-B in PRODUCT FAMILY. | March 26, 2003 | Preliminary |
| 1.0 | Finalized - Changed Icc from 12mA to 6mA - Changed Icc1 from 12mA to 7mA - Changed Icc2 from 60mA to 35mA - Changed Isb from 3mA to 0.4mA - Changed Isb1(Commercial) from 40μA to 25μA - Changed Isb1(industrial) from 40μA to 25μA - Changed Isb1(Automotive) from 50μA to 40μA - Changed IdR(Commercial) from 30μA to 15μA - Changed IdR(industrial) from 30μA to 15μA - Changed IdR(Automotive) from 40μA to 30μA | September 16, 2003 | Final |

The attached datasheets are provided by SAMSUNG Electronics. SAMSUNG Electronics CO., LTD. reserve the right to change the specifications and products. SAMSUNG Electronics will answer to your questions about device. If you have any questions, please contact the SAMSUNG branch offices.

512Kx16 bit Low Power Full CMOS Static RAM

FEATURES

- Process Technology: Full CMOS
- Organization: 512K x16
- Power Supply Voltage: 4.5~5.5V
- Low Data Retention Voltage: 2.0V(Min)
- Three state output and TTL Compatible
- Package Type: 44-TSOP2-400F

GENERAL DESCRIPTION

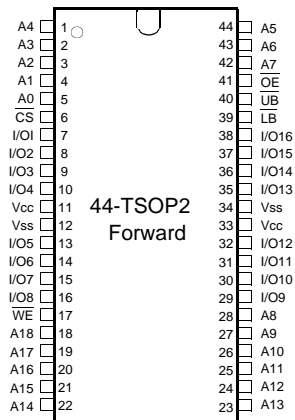
The K6X8016C3B families are fabricated by SAMSUNG's advanced full CMOS process technology. The families support various operating temperature range for user flexibility of system design. The families also support low data retention voltage for battery back-up operation with low data retention current.

PRODUCT FAMILY

| Product Family | Operating Temperature | Vcc Range | Speed | Power Dissipation | | PKG Type |
|----------------|-----------------------|-----------|------------------------|----------------------------------|------------------------------------|---------------|
| | | | | Standby (I _{SB1} , Max) | Operating (I _{CC2} , Max) | |
| K6X8016C3B-B | Commercial(0~70°C) | 4.5~5.5V | 55 ¹⁾ /70ns | 25μA | 35mA | 44-TSOP2-400F |
| K6X8016C3B-F | Industrial(-40~85°C) | | | 25μA | | |
| K6X8016C3B-Q | Automotive(-40~125°C) | | | 40μA | | |

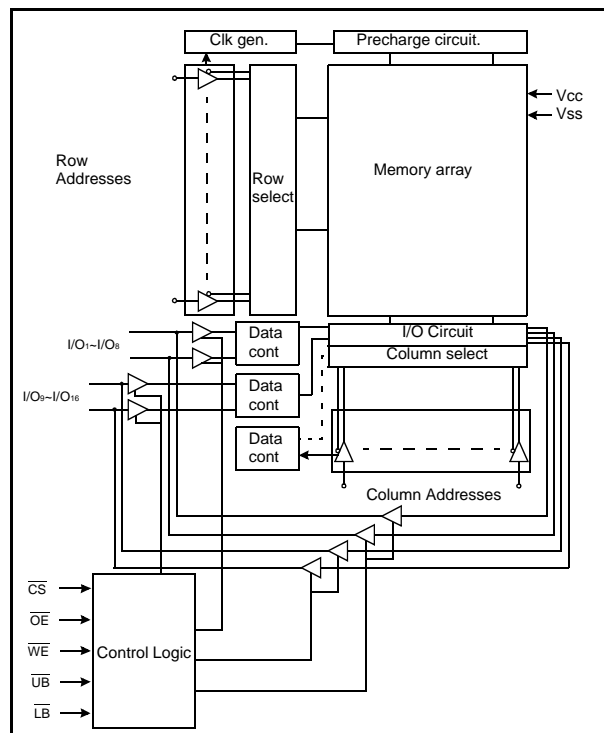
1. The parameter is measured with 50pF test load.

PIN DESCRIPTION



| Name | Function | Name | Function |
|------------------------|---------------------|-----------------|----------------------------------|
| \overline{CS} | Chip Select Input | Vcc | Power |
| \overline{OE} | Output Enable Input | Vss | Ground |
| \overline{WE} | Write Enable Input | \overline{UB} | Upper Byte(I/O _{9~16}) |
| A _{0~A18} | Address Inputs | \overline{LB} | Lower Byte(I/O _{1~8}) |
| I/O _{1~I/O16} | Data Inputs/Outputs | | |

FUNCTIONAL BLOCK DIAGRAM



SAMSUNG ELECTRONICS CO., LTD. reserves the right to change products and specifications without notice.

PRODUCT LIST

| Commercial Products(0~70°C) | | Industrial Products(-40~85°C) | | Automotive Products(-40~125°C) | |
|------------------------------------|--|------------------------------------|--|------------------------------------|--|
| Part Name | Function | Part Name | Function | Part Name | Function |
| K6X8016C3B-TB55 K6X8016C3B-TB70 | 44-TSOP2-F, 55ns, LL 44-TSOP2-F, 70ns, LL | K6X8016C3B-TF55 K6X8016C3B-TF70 | 44-TSOP2-F, 55ns, LL 44-TSOP2-F, 70ns, LL | K6X8016C3B-TQ55 K6X8016C3B-TQ70 | 44-TSOP2-F, 55ns, L 44-TSOP2-F, 70ns, L |

FUNCTIONAL DESCRIPTION

| \overline{CS} | \overline{OE} | \overline{WE} | \overline{LB} | \overline{UB} | I/O ₁₋₈ | I/O ₉₋₁₆ | Mode | Power |
|-----------------|-----------------|-----------------|-----------------|-----------------|--------------------|---------------------|------------------|---------|
| H | X | X | X | X | High-Z | High-Z | Deselected | Standby |
| L | H | H | X | X | High-Z | High-Z | Output Disabled | Active |
| L | X | X | H | H | High-Z | High-Z | Output Disabled | Active |
| L | L | H | L | H | Dout | High-Z | Lower Byte Read | Active |
| L | L | H | H | L | High-Z | Dout | Upper Byte Read | Active |
| L | L | H | L | L | Dout | Dout | Word Read | Active |
| L | X | L | L | H | Din | High-Z | Lower Byte Write | Active |
| L | X | L | H | L | High-Z | Din | Upper Byte Write | Active |
| L | X | L | L | L | Din | Din | Word Write | Active |

Note: X means don't care. (Must be low or high state)

ABSOLUTE MAXIMUM RATINGS¹⁾

| Item | Symbol | Ratings | Unit | Remark |
|--|------------------------------------|---|------|--------------|
| Voltage on any pin relative to V _{SS} | V _{IN} , V _{OUT} | -0.5 to V _{CC} +0.5V(max.7.0V) | V | - |
| Voltage on V _{CC} supply relative to | V _{CC} | -0.3 to 7.0 | V | - |
| Power Dissipation | P _D | 1.0 | W | - |
| Storage temperature | T _{STG} | -65 to 150 | °C | - |
| Operating Temperature | T _A | 0 to 70 | °C | K6X8016C3B-B |
| | | -40 to 85 | °C | K6X8016C3B-F |
| | | -40 to 125 | °C | K6X8016C3B-Q |

1. Stresses greater than those listed under "Absolute Maximum Ratings" may cause permanent damage to the device. Functional operation should be restricted to recommended operating condition. Exposure to absolute maximum rating conditions for extended periods may affect reliability.

RECOMMENDED DC OPERATING CONDITIONS¹⁾

| Item | Symbol | Min | Typ | Max | Unit |
|--------------------|-----------------|--------------------|-----|------------------------------------|------|
| Supply voltage | V _{CC} | 4.5 | 5.0 | 5.5 | V |
| Ground | V _{SS} | 0 | 0 | 0 | V |
| Input high voltage | V _{IH} | 2.2 | - | V _{CC} +0.5 ²⁾ | V |
| Input low voltage | V _{IL} | -0.5 ³⁾ | - | 0.8 | V |

Note:

- Commercial Product: T_A=0 to 70°C, otherwise specified.
Industrial Product: T_A=-40 to 85°C, otherwise specified.
Automotive Product: T_A=-40 to 125°C, otherwise specified.
- Overshoot: V_{CC}+3.0V in case of pulse width ≤30ns.
- Undershoot: -3.0V in case of pulse width ≤30ns.
- Overshoot and undershoot are sampled, not 100% tested.

CAPACITANCE¹⁾ (f=1MHz, T_A=25°C)

| Item | Symbol | Test Condition | Min | Max | Unit |
|--------------------------|-----------------|---------------------|-----|-----|------|
| Input capacitance | C _{IN} | V _{IN} =0V | - | 8 | pF |
| Input/Output capacitance | C _{IO} | V _{IO} =0V | - | 10 | pF |

- Capacitance is sampled, not 100% tested

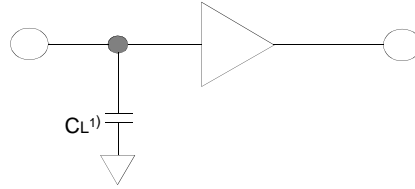
DC AND OPERATING CHARACTERISTICS

| Item | Symbol | Test Conditions | Min | Typ | Max | Unit | |
|--------------------------------|------------------|--|--------------|-----|-----|------|----|
| Input leakage current | I _{LI} | V _{IN} =V _{SS} to V _{CC} | -1 | - | 1 | μA | |
| Output leakage current | I _{LO} | $\overline{CS}=V_{IH}$, $\overline{OE}=V_{IH}$ or $\overline{WE}=V_{IL}$, V _{IO} =V _{SS} to V _{CC} | -1 | - | 1 | μA | |
| Operating power supply current | I _{CC} | I _{IO} =0mA, $\overline{CS}=V_{IL}$, $\overline{WE}=V_{IH}$, V _{IN} =V _{IH} or V _{IL} | - | - | 6 | mA | |
| Average operating current | I _{CC1} | Cycle time=1μs, 100% duty, I _{IO} =0mA, $\overline{CS} \leq 0.2V$, V _{IN} ≤ 0.2V or V _{IN} ≥ V _{CC} -0.2V | - | - | 7 | mA | |
| | I _{CC2} | Cycle time=Min, I _{IO} =0mA, 100% duty, $\overline{CS}=V_{IL}$, V _{IN} =V _{IL} or V _{IH} | - | - | 35 | mA | |
| Output low voltage | V _{OL} | I _{OL} = 2.1mA | - | - | 0.4 | V | |
| Output high voltage | V _{OH} | I _{OH} = -1.0mA | 2.4 | - | - | V | |
| Standby Current(TTL) | I _{SB} | $\overline{CS}=V_{IH}$, Other inputs=V _{IH} or V _{IL} | - | - | 0.4 | mA | |
| Standby Current(CMOS) | I _{SB1} | $\overline{CS} \geq V_{CC}-0.2V$, Other inputs=0~V _{CC} | K6X8016C3B-B | - | - | 25 | μA |
| | | | K6X8016C3B-F | - | - | 25 | |
| | | | K6X8016C3B-Q | - | - | 40 | |

AC OPERATING CONDITIONS

TEST CONDITIONS (Test Load and Input/Output Reference)

Input pulse level: 0.8 to 2.4V
 Input rising and falling time: 5ns
 Input and output reference voltage: 1.5V
 Output load(see right): $C_L=100\text{pF}+1\text{TTL}$
 $C_L=50\text{pF}+1\text{TTL}$



1. Including scope and jig capacitance

AC CHARACTERISTICS

($V_{CC}=4.5\sim 5.5\text{V}$, Commercial product: $T_A=0$ to 70°C , Industrial product: $T_A=-40$ to 85°C , Automotive product: $T_A=-40$ to 125°C)

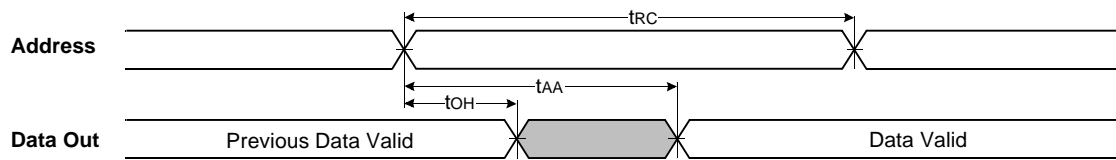
| Parameter List | | Symbol | Speed Bins | | | | Units |
|---|---|------------------|------------|-----|------|-----|-------|
| | | | 55ns | | 70ns | | |
| | | | Min | Max | Min | Max | |
| Read | Read cycle time | t _{RC} | 55 | - | 70 | - | ns |
| | Address access time | t _{AA} | - | 55 | - | 70 | ns |
| | Chip select to output | t _{CO} | - | 55 | - | 70 | ns |
| | Output enable to valid output | t _{OE} | - | 25 | - | 35 | ns |
| | Chip select to low-Z output | t _{LZ} | 10 | - | 10 | - | ns |
| | Output enable to low-Z output | t _{OLZ} | 5 | - | 5 | - | ns |
| | $\overline{\text{LB}}, \overline{\text{UB}}$ enable to low-Z output | t _{BLZ} | 5 | - | 5 | - | ns |
| | Chip disable to high-Z output | t _{HZ} | 0 | 20 | 0 | 25 | ns |
| | Output Disable to High-Z Output | t _{OHZ} | 0 | 20 | 0 | 25 | ns |
| | Output hold from address change | t _{OH} | 10 | - | 10 | - | ns |
| | $\overline{\text{LB}}, \overline{\text{UB}}$ valid to data output | t _{BA} | - | 25 | - | 35 | ns |
| $\overline{\text{UB}}, \overline{\text{LB}}$ disable to high-Z output | t _{BHZ} | 0 | 20 | 0 | 25 | ns | |
| Write | Write cycle time | t _{WC} | 55 | - | 70 | - | ns |
| | Chip select to end of write | t _{CW} | 45 | - | 60 | - | ns |
| | Address set-up time | t _{AS} | 0 | - | 0 | - | ns |
| | Address valid to end of write | t _{AW} | 45 | - | 60 | - | ns |
| | Write pulse width | t _{WP} | 40 | - | 55 | - | ns |
| | Write recovery time | t _{WR} | 0 | - | 0 | - | ns |
| | Write to output high-Z | t _{WHZ} | 0 | 20 | 0 | 25 | ns |
| | Data to write time overlap | t _{DW} | 20 | - | 30 | - | ns |
| | Data hold from write time | t _{DH} | 0 | - | 0 | - | ns |
| | End write to output low-Z | t _{OW} | 5 | - | 5 | - | ns |
| | $\overline{\text{LB}}, \overline{\text{UB}}$ valid to end of write | t _{BW} | 45 | - | 60 | - | ns |

DATA RETENTION CHARACTERISTICS

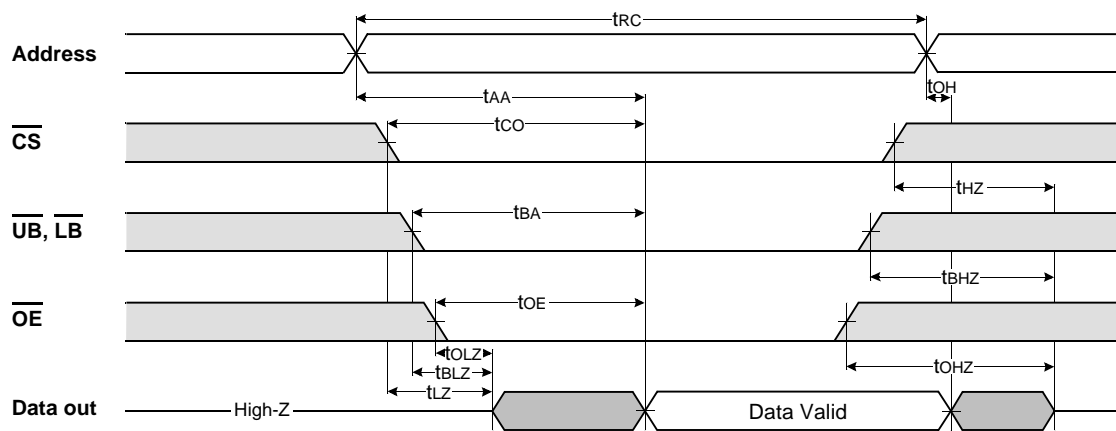
| Item | Symbol | Test Condition | Min | Typ | Max | Unit | |
|------------------------------------|------------------|--|--------------|-----|-----|------|---------------|
| V _{CC} for data retention | V _{DR} | $\overline{\text{CS}} \geq V_{CC}-0.2\text{V}$ | 2.0 | - | 5.5 | V | |
| Data retention current | I _{DR} | $V_{CC}=3.0\text{V}, \overline{\text{CS}} \geq V_{CC}-0.2\text{V}$ $\overline{\text{CS}} \geq V_{CC}-0.2\text{V}$ | K6X8016C3B-B | - | - | 15 | μA |
| | | | K6X8016C3B-F | - | - | 15 | |
| | | | K6X8016C3B-Q | - | - | 30 | |
| Data retention set-up time | t _{SDR} | See data retention waveform | 0 | - | - | ms | |
| Recovery time | t _{RDR} | | 5 | - | - | | |

TIMING DIAGRAMS

TIMING WAVEFORM OF READ CYCLE(1) (Address Controlled, $\overline{CS}=\overline{OE}=V_{IL}$, $\overline{WE}=V_{IH}$, \overline{UB} or/and $\overline{LB}=V_{IL}$)



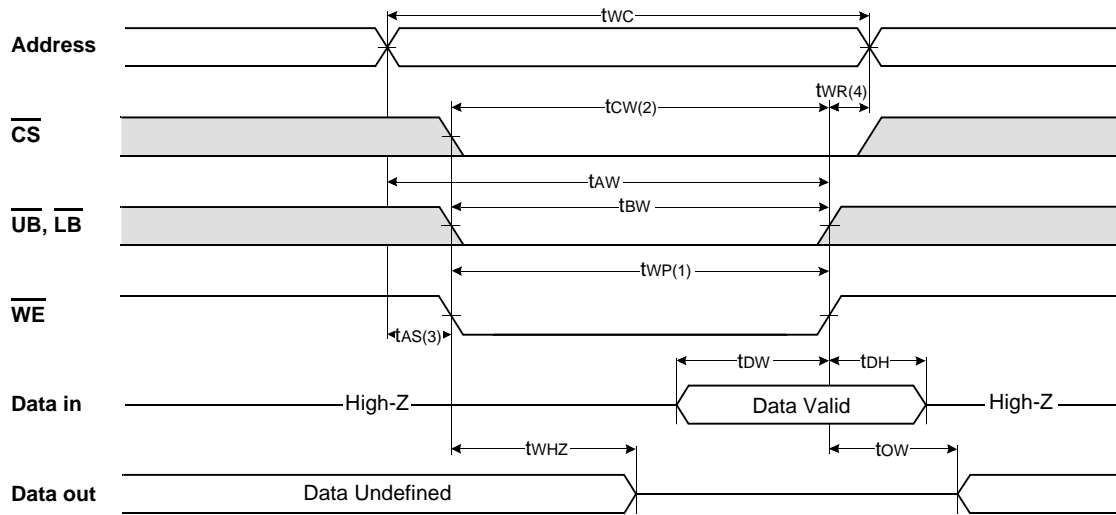
TIMING WAVEFORM OF READ CYCLE(2) ($\overline{WE}=V_{IH}$)



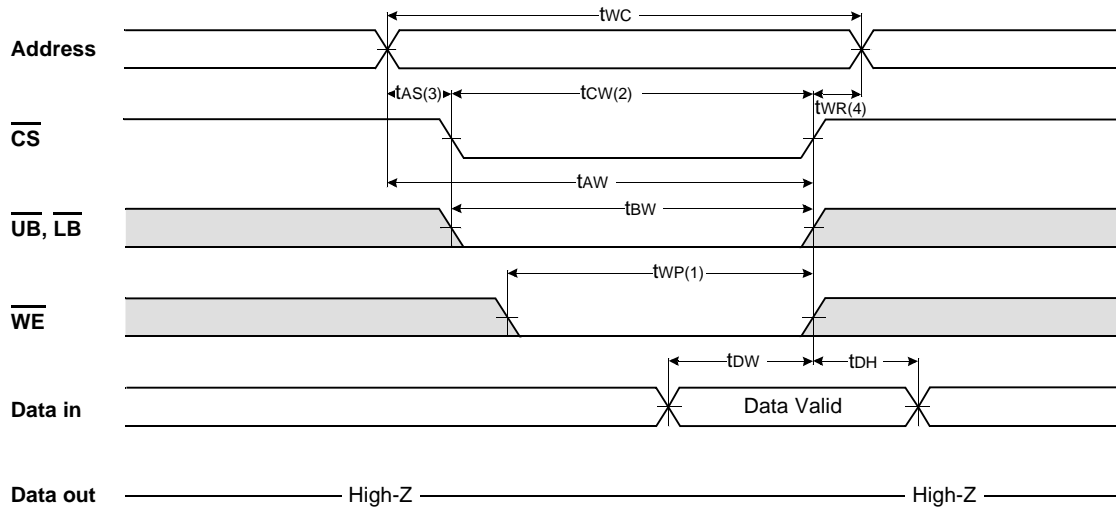
NOTES (READ CYCLE)

1. t_{HZ} and t_{OHZ} are defined as the time at which the outputs achieve the open circuit conditions and are not referenced to output voltage levels.
2. At any given temperature and voltage condition, $t_{HZ}(\text{Max.})$ is less than $t_{LZ}(\text{Min.})$ both for a given device and from device to device interconnection.

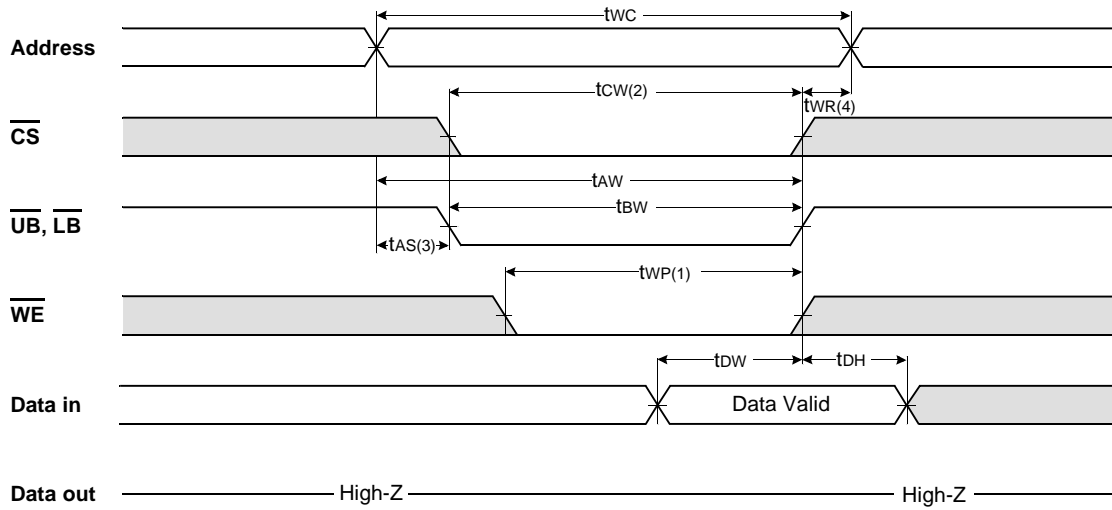
TIMING WAVEFORM OF WRITE CYCLE(1) (\overline{WE} Controlled)



TIMING WAVEFORM OF WRITE CYCLE(2) (\overline{CS} Controlled)



TIMING WAVEFORM OF WRITE CYCLE(3) (\overline{UB} , \overline{LB} Controlled)

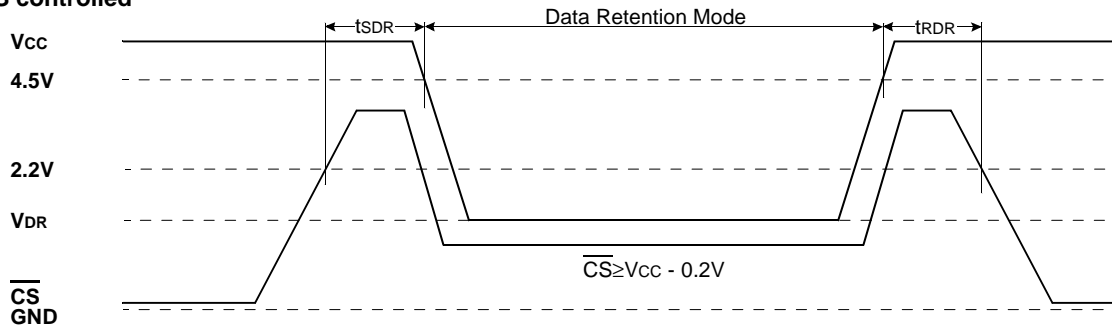


NOTES (WRITE CYCLE)

1. A write occurs during the overlap(t_{WP}) of low \overline{CS} and low \overline{WE} . A write begins when \overline{CS} goes low and \overline{WE} goes low with asserting \overline{UB} or \overline{LB} for single byte operation or simultaneously asserting \overline{UB} and \overline{LB} for double byte operation. A write ends at the earliest transition when \overline{CS} goes high and \overline{WE} goes high. The t_{WP} is measured from the beginning of write to the end of write.
2. t_{CW} is measured from the \overline{CS} going low to the end of write.
3. t_{AS} is measured from the address valid to the beginning of write.
4. t_{WR} is measured from the end of write to the address change. t_{WR} applied in case a write ends as \overline{CS} or \overline{WE} going high.

DATA RETENTION WAVE FORM

\overline{CS} controlled



PACKAGE DIMENSIONS

Unit: millimeters(inches)

44 PIN THIN SMALL OUTLINE PACKAGE TYPE II (400F)

