

# K9XXG08UXM

www.DataSheet4U.com

**INFORMATION IN THIS DOCUMENT IS PROVIDED IN RELATION TO SAMSUNG PRODUCTS, AND IS SUBJECT TO CHANGE WITHOUT NOTICE.**

**NOTHING IN THIS DOCUMENT SHALL BE CONSTRUED AS GRANTING ANY LICENSE, EXPRESS OR IMPLIED, BY ESTOPPEL OR OTHERWISE,**

**TO ANY INTELLECTUAL PROPERTY RIGHTS IN SAMSUNG PRODUCTS OR TECHNOLOGY. ALL INFORMATION IN THIS DOCUMENT IS PROVIDED**

**ON AS "AS IS" BASIS WITHOUT GUARANTEE OR WARRANTY OF ANY KIND.**

1. For updates or additional information about Samsung products, contact your nearest Samsung office.
2. Samsung products are not intended for use in life support, critical care, medical, safety equipment, or similar applications where Product failure could result in loss of life or personal or physical harm, or any military or defense application, or any governmental procurement to which special terms or provisions may apply.

\* Samsung Electronics reserves the right to change products or specification without notice.

**Document Title**

**2G x 8 Bit NAND Flash Memory**

**Revision History**

<u>Revision No</u>	<u>History</u>	<u>Draft Date</u>	<u>Remark</u>
0.0	1. Initial issue	April 12th 2006	Advance
0.1	1. Add read status 2 command F1h 2. Add 2-plane read operation 3. Add address map (Table2) 4. Remove adjacent page relationship table 5. Modify figure of 2-plane copy-back program with random data input 6. Modify figure of Rp vs tr ,tf & Rp vs ibusy 7. Data retention 5years -> 10 years 8. Remove K9LBG08U1M 9. Modify figure of 2-plane page program 10. Add nWP timing guide 11. Add 2-plane read for copy-back operation 12. Add 2-plane random data out operation 13. Modify command table and note 14. Modify invalid block definition 15. Add program operation with 2KB data loading timing guide 16. tRLOH is valid when frequency is higher than 20MHz. tRHOH starts to be valid when frequency is lower than 20MHz. -> tRLOH is valid when frequency is higher than 33MHz. tRHOH starts to be valid when frequency is lower than 33MHz.	Sep. 21th 2006	Advance
0.2	1. Add 2.7V part 2. tCDS is added. (min. 10ns)	Dec. 8th 2006	Advance
0.3	1. Endurance is changed (10K->5K)	Dec. 12th 2006	Advance
0.4		Dec. 21st 2006	Preliminary
0.5	1. Endurance is changed (5K -> TBD)	Jan. 12th 2007	Preliminary
0.6	1. K9GAG08U0M-I/K9LBG08U0M-I is added. 2. Random data output for copy back is added. 3. Wafer level capacitance is added.	Feb. 12th 2007	Preliminary

www.DataSheet4U.com

The attached data sheets are prepared and approved by SAMSUNG Electronics. SAMSUNG Electronics CO., LTD. reserve the right to change the specifications. SAMSUNG Electronics will evaluate and reply to your requests and questions about device. If you have any questions, please contact the SAMSUNG branch office near your office.

**2G x 8 Bit NAND Flash Memory**

**PRODUCT LIST**

Part Number	Vcc Range	Organization	PKG Type
K9GAG08U0M-P	2.7V ~ 3.6V	X8	TSOP1
K9GAG08B0M-P	2.5V ~ 2.9V		
K9GAG08U0M-I	2.7V ~ 3.6V		52ULGA
K9LBG08U1M-I			

**FEATURES**

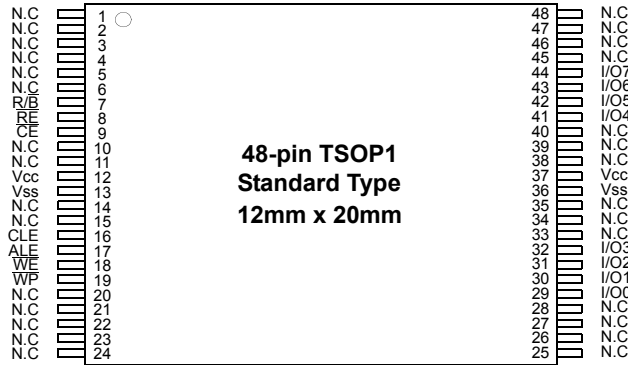
- Voltage Supply
  - 2.7V Device(K9F8G08B0M) : 2.5V ~ 2.9V
  - 3.3V Device(K9F8G08U0M) : 2.7V ~ 3.6V
- Organization
  - Memory Cell Array : (2G + 64M) x 8bit
  - Data Register : (4K + 128) x 8bit
- Automatic Program and Erase
  - Page Program : (4K + 128)Byte
  - Block Erase : (512K + 16K)Byte
- Page Read Operation
  - Page Size : (4K + 128)Byte
  - Random Read : 60μs(Max.)
  - Serial Access : 25ns(Min.)
- Memory Cell : 2bit / Memory Cell
- Fast Write Cycle Time
  - Program time : 800μs(Typ.)
  - Block Erase Time : 1.5ms(Typ.)
- Command/Address/Data Multiplexed I/O Port
- Hardware Data Protection
  - Program/Erase Lockout During Power Transitions
- Reliable CMOS Floating-Gate Technology
  - Endurance : TBD(with 4bit/512byte ECC)
  - Data Retention : 10 Years
- Command Register Operation
- Unique ID for Copyright Protection
- Package :
  - K9GAG08U0M-PCB0/PIB0 : Pb-FREE PACKAGE  
48 - Pin TSOP I (12 x 20 / 0.5 mm pitch)
  - K9GAG08B0M-PCB0/PIB0 : Pb-FREE PACKAGE  
48 - Pin TSOP I (12 x 20 / 0.5 mm pitch)
  - K9GAG08U0M-ICB0/IIB0  
52 - Pin ULGA (12 x 17 / 1.00 mm pitch)
  - K9LBG08U1M-ICB0/IIB0  
52 - Pin ULGA (12 x 17 / 1.00 mm pitch)

**GENERAL DESCRIPTION**

Offered in 2Gx8bit, the K9GAG08X0M is a 16G-bit NAND Flash Memory with spare 512M-bit. The device is offered in 2.7V and 3.3V Vcc. Its NAND cell provides the most cost-effective solution for the solid state mass storage market. A program operation can be performed in typical 800μs on the 4,224-byte page and an erase operation can be performed in typical 1.5ms on a (512K+16K)byte block. Data in the data register can be read out at 25ns cycle time per byte. The I/O pins serve as the ports for address and data input/output as well as command input. The on-chip write controller automates all program and erase functions including pulse repetition, where required, and internal verification and margining of data. The K9GAG08X0M is an optimum solution for large nonvolatile storage applications such as solid state file storage and other portable applications requiring non-volatility.

**PIN CONFIGURATION (TSOP1)**

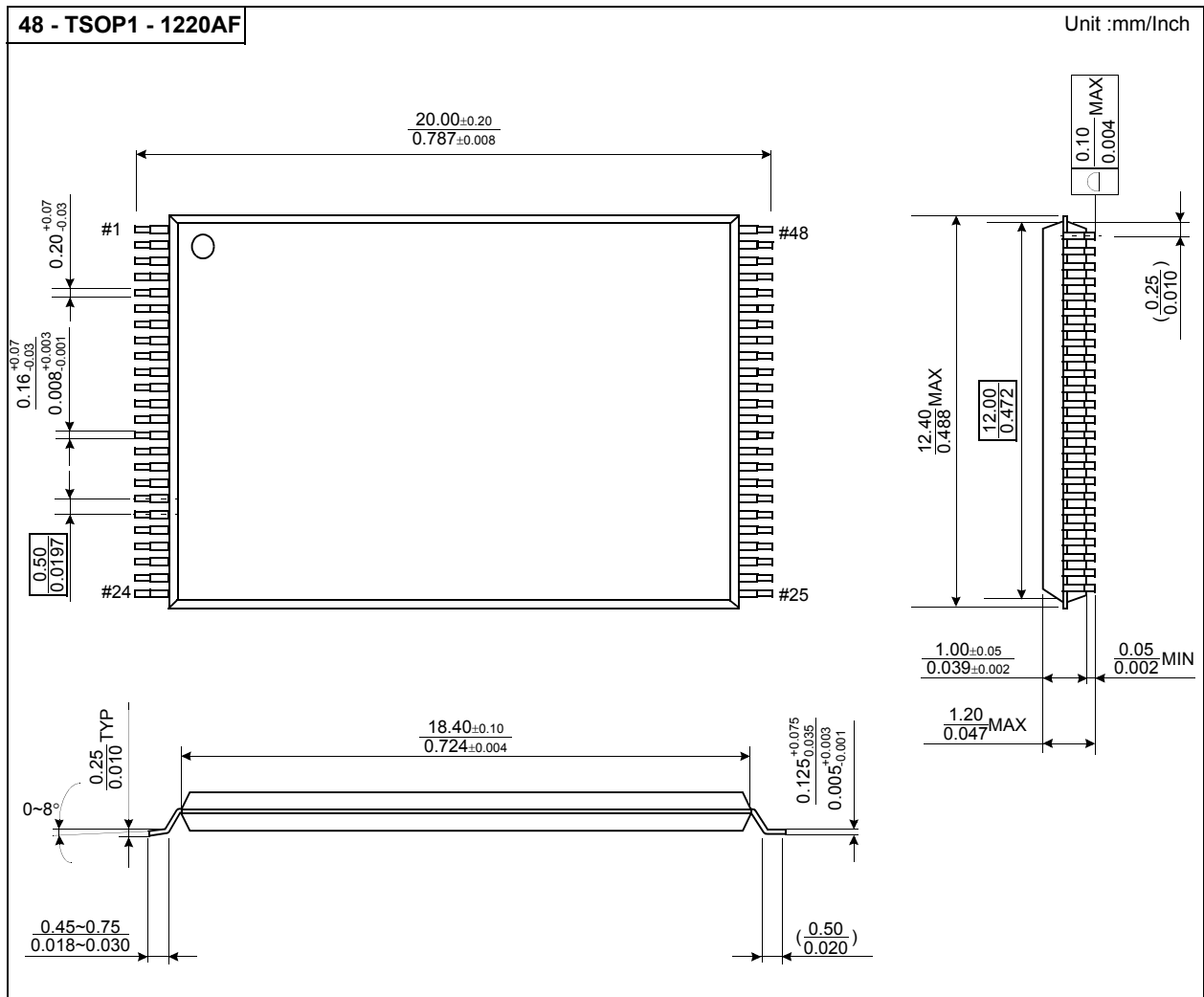
**K9GAG08X0M-PCB0/PIB0**



www.DataSheet4U.com

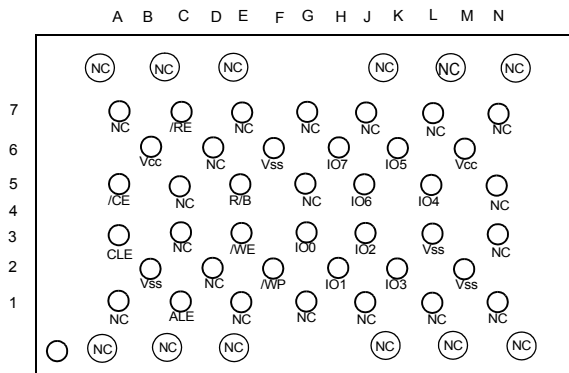
**PACKAGE DIMENSIONS**

**48-PIN LEAD FREE PLASTIC THIN SMALL OUT-LINE PACKAGE TYPE(I)**



**PIN CONFIGURATION (ULGA)**

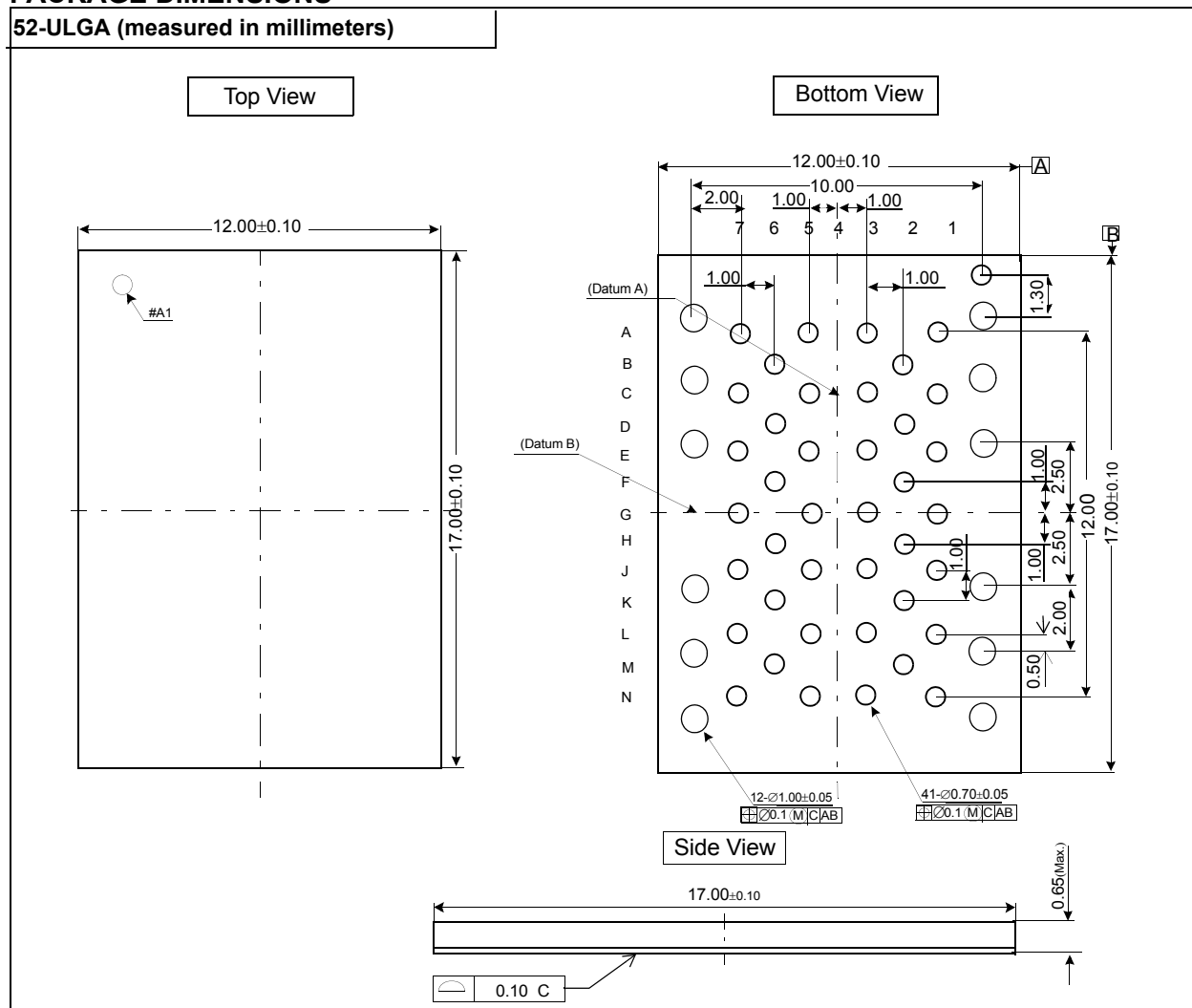
**K9GAG08U0M-ICB0/IIB0**



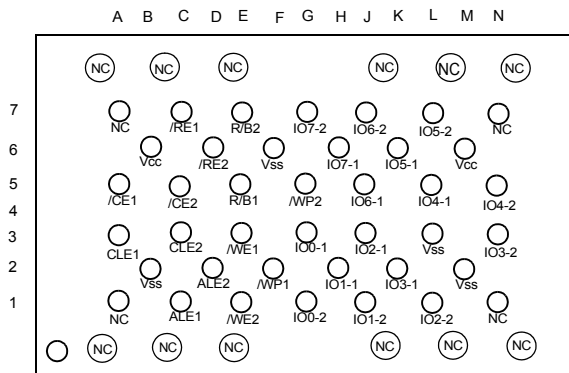
www.DataSheet4U.com

**PACKAGE DIMENSIONS**

**52-ULGA (measured in millimeters)**



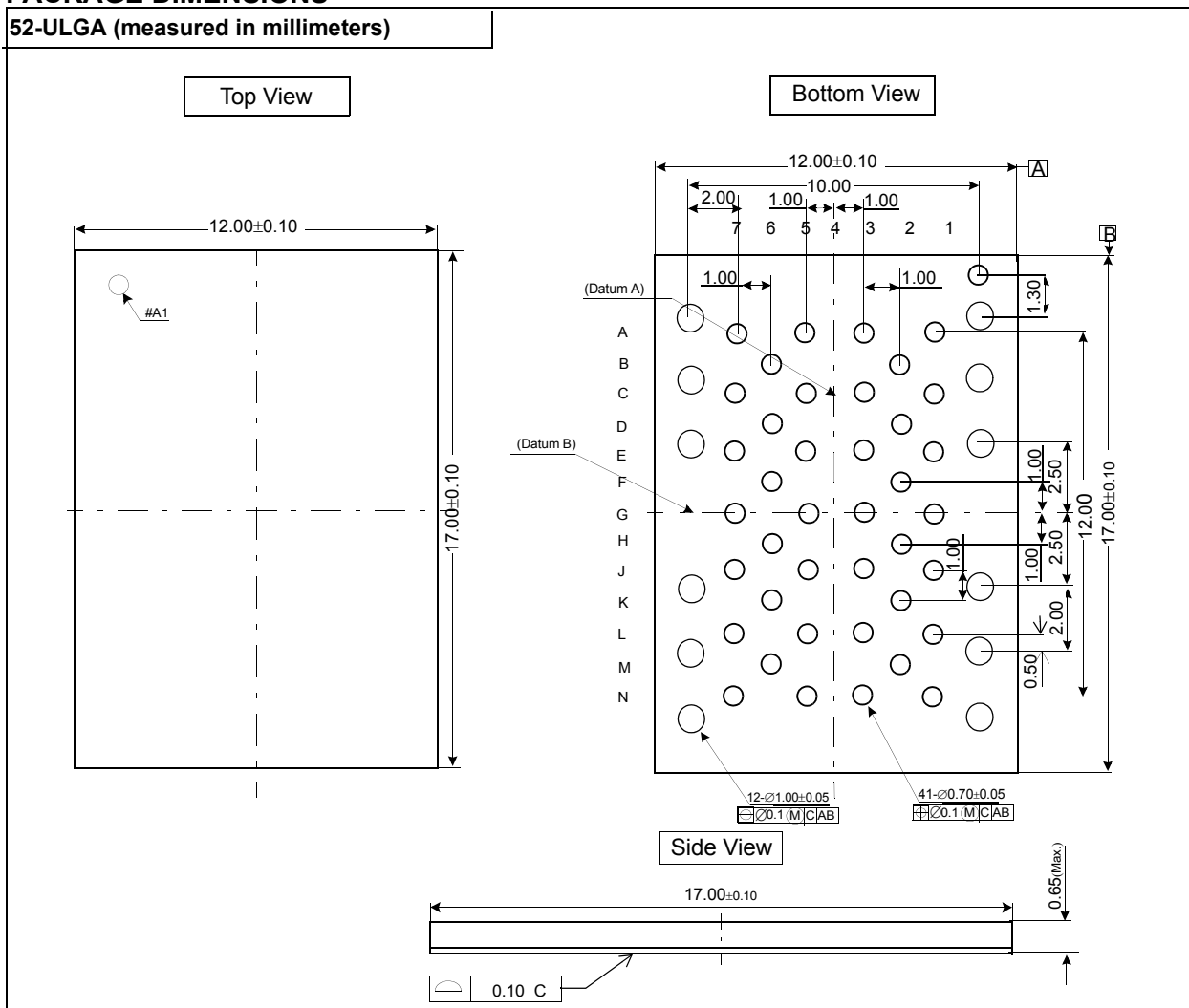
**K9LBG08U1M-ICB0/IB0**



www.DataSheet4U.com

**PACKAGE DIMENSIONS**

52-ULGA (measured in millimeters)

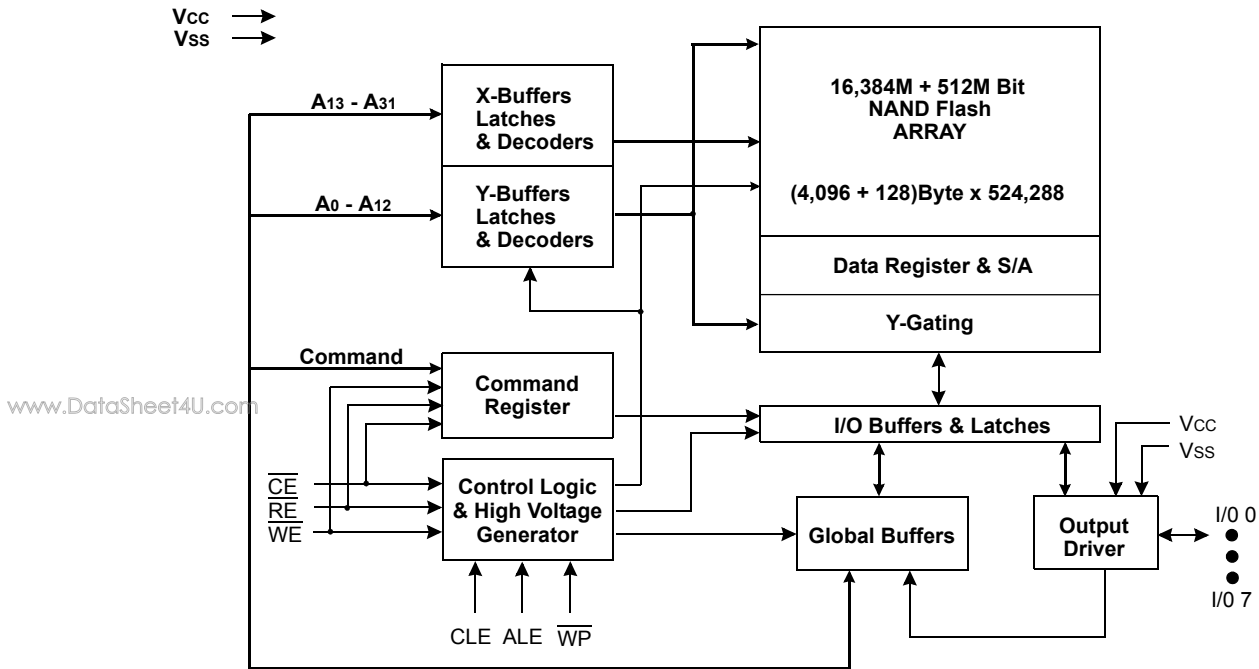


**PIN DESCRIPTION**

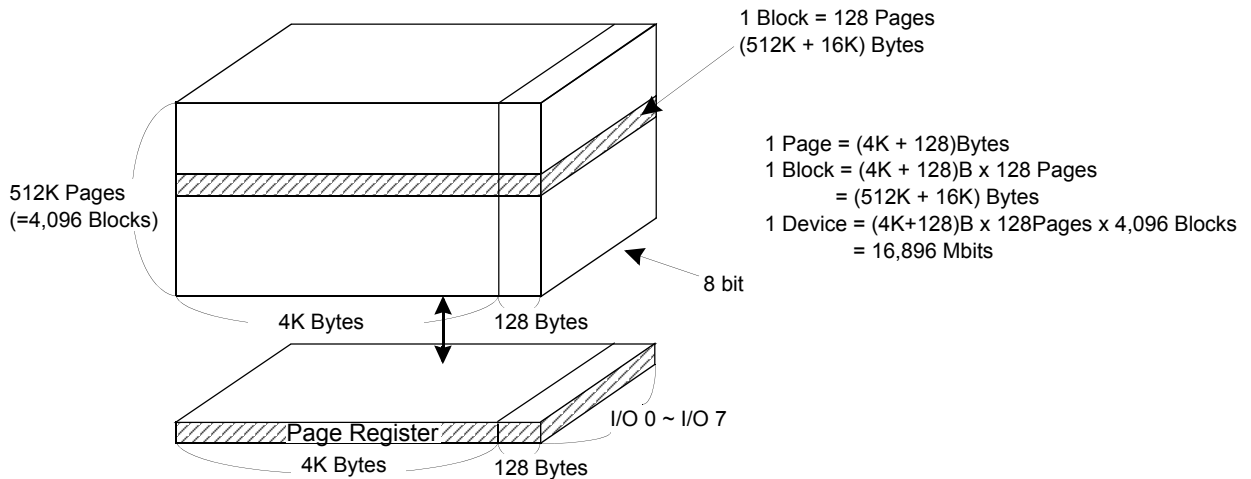
Pin Name	Pin Function
I/O <sub>0</sub> ~ I/O <sub>7</sub>	<b>DATA INPUTS/OUTPUTS</b> The I/O pins are used to input command, address and data, and to output data during read operations. The I/O pins float to high-z when the chip is deselected or when the outputs are disabled.
CLE	<b>COMMAND LATCH ENABLE</b> The CLE input controls the activating path for commands sent to the command register. When active high, commands are latched into the command register through the I/O ports on the rising edge of the $\overline{WE}$ signal.
ALE	<b>ADDRESS LATCH ENABLE</b> The ALE input controls the activating path for address to the internal address registers. Addresses are latched on the rising edge of $\overline{WE}$ with ALE high.
$\overline{CE}$	<b>CHIP ENABLE</b> The $\overline{CE}$ input is the device selection control. When the device is in the Busy state, $\overline{CE}$ high is ignored, and the device does not return to standby mode in program or erase operation. Regarding $\overline{CE}$ control during read operation, refer to 'Page read' section of Device operation.
$\overline{RE}$	<b>READ ENABLE</b> The $\overline{RE}$ input is the serial data-out control, and when active drives the data onto the I/O bus. Data is valid t <sub>REA</sub> after the falling edge of $\overline{RE}$ which also increments the internal column address counter by one.
$\overline{WE}$	<b>WRITE ENABLE</b> The $\overline{WE}$ input controls writes to the I/O port. Commands, address and data are latched on the rising edge of the $\overline{WE}$ pulse.
$\overline{WP}$	<b>WRITE PROTECT</b> The $\overline{WP}$ pin provides inadvertent write/erase protection during power transitions. The internal high voltage generator is reset when the $\overline{WP}$ pin is active low.
R/ $\overline{B}$	<b>READY/BUSY OUTPUT</b> The R/ $\overline{B}$ output indicates the status of the device operation. When low, it indicates that a program, erase or random read operation is in process and returns to high state upon completion. It is an open drain output and does not float to high-z condition when the chip is deselected or when outputs are disabled.
V <sub>cc</sub>	<b>POWER</b> V <sub>cc</sub> is the power supply for device.
V <sub>ss</sub>	<b>GROUND</b>
N.C	<b>NO CONNECTION</b> Lead is not internally connected.

**NOTE :** Connect all V<sub>cc</sub> and V<sub>ss</sub> pins of each device to common power supply outputs.  
Do not leave V<sub>cc</sub> or V<sub>ss</sub> disconnected.

**Figure 1. K9GAG08X0M Functional Block Diagram**



**Figure 2. K9GAG08X0M Array Organization**



	I/O 0	I/O 1	I/O 2	I/O 3	I/O 4	I/O 5	I/O 6	I/O 7	
1st Cycle	A0	A1	A2	A3	A4	A5	A6	A7	Column Address
2nd Cycle	A8	A9	A10	A11	A12	*L	*L	*L	Column Address
3rd Cycle	A13	A14	A15	A16	A17	A18	A19	A20	Row Address
4th Cycle	A21	A22	A23	A24	A25	A26	A27	A28	Row Address
5th Cycle	A29	A30	A31	*L	*L	*L	*L	*L	Row Address

**NOTE :** Column Address : Starting Address of the Register.

\* L must be set to "Low".

\* The device ignores any additional input of address cycles than required.



**Product Introduction**

The K9GAG08X0M is a 16,896Mbit(17,716,740,096 bit) memory organized as 524,288 rows(pages) by 4,224x8 columns. Spare 128 columns are located from column address of 4,096~4,223. A 4,224-byte data register is connected to memory cell arrays for accommodating data transfer between the I/O buffers and memory cells during page read and page program operations. The memory array is made up of 32 cells that are serially connected to form a NAND structure. Each of the 32 cells resides in a different page. A block consists of two NAND structured strings. A NAND structure consists of 32 cells. A cell has 2-bit data. Total 2,162,688 NAND cells reside in a block. The program and read operations are executed on a page basis, while the erase operation is executed on a block basis. The memory array consists of 4,096 separately erasable 512K-byte blocks. It indicates that the bit by bit erase operation is prohibited on the K9GAG08X0M.

The K9GAG08X0M has addresses multiplexed into 8 I/Os. This scheme dramatically reduces pin counts and allows system upgrades to future densities by maintaining consistency in system board design. Command, address and data are all written through I/O's by bringing  $\overline{WE}$  to low while  $\overline{CE}$  is low. Those are latched on the rising edge of  $\overline{WE}$ . Command Latch Enable(CLE) and Address Latch Enable(ALE) are used to multiplex command and address respectively, via the I/O pins. Some commands require one bus cycle. For example, Reset Command, Status Read Command, etc require just one cycle bus. Some other commands, like page read and block erase and page program, require two cycles: one cycle for setup and the other cycle for execution. The 2112M-byte physical space requires 32 addresses, thereby requiring five cycles for addressing : 2 cycles of column address, 3 cycles of row address, in that order. Page Read and Page Program need the same five address cycles following the required command input. In Block Erase operation, however, only three row address cycles are used. Device operations are selected by writing specific commands into the command register. Table 1 defines the specific commands of the K9GAG08X0M.

In addition to the enhanced architecture and interface, the device incorporates copy-back program feature from one page to another page without need for transporting the data to and from the external buffer memory. Since the time-consuming serial access and data-input cycles are removed, system performance for solid-state disk application is significantly increased.

**Table 1. Command Sets**

Function	1st Set	2nd Set	Acceptable Command during Busy
Read	00h	30h	
Read for Copy Back	00h	35h	
Read ID	90h	-	
Reset	FFh	-	O
Page Program	80h	10h	
Copy-Back Program	85h	10h	
Block Erase	60h	D0h	
Random Data Input <sup>(1)</sup>	85h	-	
Random Data Output <sup>(1)</sup>	05h	E0h	
Read Status	70h		O
Read Status 2	F1h		O
Two-Plane Read <sup>(3)</sup>	60h---60h	30h	
Two-Plane Read for Copy-Back	60h---60h	35h	
Two-Plane Random Data Output <sup>(1)(3)</sup>	00h---05h	E0h	
Two-Plane Page Program <sup>(2)</sup>	80h---11h	81h---10h	
Two-Plane Copy-Back Program <sup>(2)</sup>	85h---11h	81h---10h	
Two-Plane Block Erase	60h---60h	D0h	
Page Program with 2KB Data <sup>(2)</sup>	80h---11h	80h---10h	
Copy-Back Program with 2KB Data <sup>(2)</sup>	85h---11h	85h---10h	

- NOTE** : 1. Random Data Input/Output can be executed in a page.  
 2. Any command between 11h and 80h/81h/85h is prohibited except 70h/F1h and FFh.  
 3. Two-Plane Random Data out must be used after Two-Plane Read operation

**Caution** : Any undefined command inputs are prohibited except for above command set of Table 1.

**ABSOLUTE MAXIMUM RATINGS**

Parameter		Symbol	Rating	Unit
			2.7V / 3.3V Device	
Voltage on any pin relative to Vss		V <sub>CC</sub>	-0.6 to + 4.6	V
		V <sub>IN</sub>	-0.6 to + 4.6	
		V <sub>I/O</sub>	-0.6 to V <sub>CC</sub> +0.3 (<4.6V)	
Temperature Under Bias	K9XXG08X0M-XCB0	T <sub>BIAS</sub>	-10 to +125	°C
	K9XXG08X0M-XIB0		-40 to +125	
Storage Temperature	K9XXG08X0M-XCB0	T <sub>STG</sub>	-65 to +150	°C
	K9XXG08X0M-XIB0			
Short Circuit Current		I <sub>OS</sub>	5	mA

**NOTE :**

1. Minimum DC voltage is -0.6V on input/output pins. During transitions, this level may undershoot to -2.0V for periods <30ns. Maximum DC voltage on input/output pins is V<sub>CC</sub>+0.3V which, during transitions, may overshoot to V<sub>CC</sub>+2.0V for periods <20ns.
2. Permanent device damage may occur if ABSOLUTE MAXIMUM RATINGS are exceeded. Functional operation should be restricted to the conditions as detailed in the operational sections of this data sheet. Exposure to absolute maximum rating conditions for extended periods may affect reliability.

**RECOMMENDED OPERATING CONDITIONS**

(Voltage reference to GND, K9XXG08X0M-XCB0 :T<sub>A</sub>=0 to 70°C, K9GAG08X0M-XIB0:T<sub>A</sub>=-40 to 85°C)

Parameter	Symbol	K9GAG08B0M(2.7V)			K9XXG08UXM(3.3V)			Unit
		Min	Typ.	Max	Min	Typ.	Max	
Supply Voltage	V <sub>CC</sub>	2.5	2.7	2.9	2.7	3.3	3.6	V
Supply Voltage	V <sub>SS</sub>	0	0	0	0	0	0	V

**DC AND OPERATING CHARACTERISTICS**(Recommended operating conditions otherwise noted.)

Parameter		Symbol	Test Conditions	K9GAG08X0M						Unit
				2.7V			3.3V			
				Min	Typ	Max	Min	Typ	Max	
Operating Current	Page Read with Serial Access	I <sub>CC1</sub>	t <sub>RC</sub> =25ns CE=V <sub>IL</sub> , I <sub>OUT</sub> =0mA	-	15	30	-	15	30	mA
	Program	I <sub>CC2</sub>	-	-	-	-	-	-		
	Erase	I <sub>CC3</sub>	-	-	-	-	-	-		
Stand-by Current(TTL)		I <sub>SB1</sub>	CE=V <sub>IH</sub> , WP=0V/V <sub>CC</sub>	-	-	1	-	-	1	µA
Stand-by Current(CMOS)		I <sub>SB2</sub>	CE=V <sub>CC</sub> -0.2, WP=0V/V <sub>CC</sub>	-	10	50	-	10	50	
Input Leakage Current		I <sub>LI</sub>	V <sub>IN</sub> =0 to V <sub>CC</sub> (max)	-	-	±10	-	-	±10	
Output Leakage Current		I <sub>LO</sub>	V <sub>OUT</sub> =0 to V <sub>CC</sub> (max)	-	-	±10	-	-	±10	
Input High Voltage		V <sub>IH</sub> <sup>(1)</sup>	-	0.8 xV <sub>CC</sub>	-	V <sub>CC</sub> +0.3	0.8 xV <sub>CC</sub>	-	V <sub>CC</sub> +0.3	V
Input Low Voltage, All inputs		V <sub>IL</sub> <sup>(1)</sup>	-	-0.3	-	0.2 xV <sub>CC</sub>	-0.3	-	0.2 xV <sub>CC</sub>	
Output High Voltage Level		V <sub>OH</sub>	K9GAG08B0M :I <sub>OH</sub> =-100µA K9GAG08U0M :I <sub>OH</sub> =-400µA	V <sub>CC</sub> -0.4	-	-	2.4	-	-	
Output Low Voltage Level		V <sub>OL</sub>	K9GAG08B0M :I <sub>OL</sub> =100µA K9GAG08U0M :I <sub>OL</sub> =2.1mA	-	-	0.4	-	-	0.4	
Output Low Current(R/B)		I <sub>OL</sub> (R/B)	K9GAG08B0M :V <sub>OL</sub> =0.1V K9GAG08U0M :V <sub>OL</sub> =0.4V	3	4	-	8	10	-	mA

- NOTE :**
1. V<sub>IL</sub> can undershoot to -0.4V and V<sub>IH</sub> can overshoot to V<sub>CC</sub> +0.4V for durations of 20 ns or less.
  2. Typical value is measured at V<sub>CC</sub>=3.3V, T<sub>A</sub>=25°C. Not 100% tested.
  3. The typical value of the K9LBG08U1M's I<sub>SB2</sub> is 20µA and the maximum value is 100µA.

**VALID BLOCK**

Parameter	Symbol	Min	Typ.	Max	Unit
K9GAG08X0M	NvB	3,996	-	4,096	Blocks
K9LBG08U1M	NvB	7,992	-	8,192	Blocks

**NOTE :**

- The device may include initial invalid blocks when first shipped. Additional invalid blocks may develop while being used. The number of valid blocks is presented with both cases of invalid blocks considered. Invalid blocks are defined as blocks that contain one or more bad bits which cause status failure during program and erase operation. Do not erase or program factory-marked bad blocks. Refer to the attached technical notes for appropriate management of initial invalid blocks.
  - The 1st block, which is placed on 00h block address, is guaranteed to be a valid block at the time of shipment.
  - The number of valid blocks is on the basis of single plane operations, and this may be decreased with two plane operations.
- \* : Each K9GAG08U0M chip in the K9LBG08U1M has Maximum 100 invalid blocks

**AC TEST CONDITION**

(K9XXG08X0M-XCB0: TA=0 to 70°C, K9XXG08X0M-XIB0:TA=-40 to 85°C,

K9GAG08B0M: Vcc=2.5V~2.9V, K9XXG08UXM: Vcc=2.7V~3.6V unless otherwise noted)

Parameter	K9GAG08B0M	K9XXG08UXM
Input Pulse Levels	0V to Vcc	0V to Vcc
Input Rise and Fall Times	5ns	5ns
Input and Output Timing Levels	Vcc/2	Vcc/2
Output Load	1 TTL GATE and CL=30pF	1 TTL GATE and CL=50pF

**CAPACITANCE**(TA=25°C, VCC=2.7V/3.3V, f=1.0MHz)

Item	Symbol	Test Condition	Min	Max	Unit
Input/Output Capacitance	C <sub>I/O</sub>	V <sub>IL</sub> =0V	-	5	pF
	C <sub>I/O(W)*</sub>	V <sub>IL</sub> =0V	-	5	pF
Input Capacitance	C <sub>IN</sub>	V <sub>IN</sub> =0V	-	5	pF
	C <sub>IN(W)*</sub>	V <sub>IN</sub> =0V	-	5	pF

- NOTE :**
- Capacitance is periodically sampled and not 100% tested.
  - C<sub>I/O(W)\*</sub> and C<sub>IN(W)\*</sub> are tested at wafer level.

**MODE SELECTION**

CLE	ALE	CE	WE	RE	WP	Mode	
H	L	L		H	X	Read Mode	Command Input
L	H	L		H	X		Address Input(5clock)
H	L	L		H	H	Write Mode	Command Input
L	H	L		H	H		Address Input(5clock)
L	L	L		H	H	Data Input	
L	L	L	H		X	Data Output	
X	X	X	X	H	X	During Read(Busy)	
X	X	X	X	X	H	During Program(Busy)	
X	X	X	X	X	H	During Erase(Busy)	
X	X <sup>(1)</sup>	X	X	X	L	Write Protect	
X	X	H	X	X	0V/Vcc <sup>(2)</sup>	Stand-by	

- NOTE :**
- X can be V<sub>IL</sub> or V<sub>IH</sub>.
  - WP should be biased to CMOS high or CMOS low for standby.

**Program / Erase Characteristics**

Parameter	Symbol	Min	Typ	Max	Unit
Program Time	tPROG	-	0.8	3	ms
Dummy Busy Time for Multi Plane Program	tdBSY		0.5	1	μs
Number of Partial Program Cycles in the Same Page	Nop	-	-	1	cycle
Block Erase Time	tBERS	-	1.5	10	ms

**NOTE:** 1. Typical program time is measured at Vcc=3.3V, TA=25°C. Not 100% tested.  
 2. Typical Program time is defined as the time within which more than 50% of the whole pages are programmed at 3.3V Vcc and 25°C temperature.  
 3. Within a same block, program time(tPROG) of page group A is faster than that of page group B. Typical tPROG is the average program time of the page group A and B(Table 5).  
 Page Group A: Page 0, 1, 2, 3, 6, 7, 10, 11, ..., 110, 111, 114, 115, 118, 119, 122, 123  
 Page Group B: Page 4, 5, 8, 9, 12, 13, 16, 17, ..., 116, 117, 120, 121, 124, 125, 126, 127

www.DataSheet

**AC Timing Characteristics for Command / Address / Data Input**

Parameter	Symbol	Min	Max	Unit
		3.3V(2.7V)	3.3V(2.7V)	
CLE Setup Time	tCLS <sup>(1)</sup>	12	-	ns
CLE Hold Time	tCLH	5	-	ns
$\overline{CE}$ Setup Time	tCS <sup>(1)</sup>	20	-	ns
$\overline{CE}$ Hold Time	tCH	5	-	ns
$\overline{WE}$ Pulse Width	tWP	12	-	ns
ALE Setup Time	tALS <sup>(1)</sup>	12	-	ns
ALE Hold Time	tALH	5	-	ns
Data Setup Time	tDS <sup>(1)</sup>	12	-	ns
Data Hold Time	tDH	5	-	ns
Write Cycle Time	tWC	25	-	ns
$\overline{WE}$ High Hold Time	tWH	10	-	ns
Address to Data Loading Time	tADL <sup>(2)</sup>	100	-	ns

**NOTES:** 1. The transition of the corresponding control pins must occur only once while  $\overline{WE}$  is held low.  
 2. tADL is the time from the  $\overline{WE}$  rising edge of final address cycle to the  $\overline{WE}$  rising edge of first data cycle.

**AC Characteristics for Operation**

Parameter	Symbol	Min	Max	Unit
		3.3V(2.7V)	3.3V(2.7V)	
Data Transfer from Cell to Register	tR	-	60	μs
ALE to $\overline{RE}$ Delay	tAR	10	-	ns
CLE to $\overline{RE}$ Delay	tCLR	10	-	ns
Ready to $\overline{RE}$ Low	tRR	20	-	ns
$\overline{RE}$ Pulse Width	tRP	12	-	ns
$\overline{WE}$ High to Busy	tWB	-	100	ns
Read Cycle Time	tRC	25	-	ns
$\overline{RE}$ Access Time	tREA	-	20	ns
$\overline{CE}$ Access Time	tCEA	-	25	ns
$\overline{RE}$ High to Output Hi-Z	tRHZ	-	100	ns
$\overline{CE}$ High to Output Hi-Z	tCHZ	-	30	ns
$\overline{CE}$ High to ALE or CLE Don't Care	tCSD	10	-	ns
$\overline{RE}$ High to Output Hold	tRHOH	15	-	ns
$\overline{RE}$ Low to Output Hold	tRLOH	5	-	ns
$\overline{CE}$ High to Output Hold	tCOH	15	-	ns
$\overline{RE}$ High Hold Time	tREH	10	-	ns
Output Hi-Z to $\overline{RE}$ Low	tIR	0	-	ns
$\overline{RE}$ High to $\overline{WE}$ Low	tRHW	100	-	ns
$\overline{WE}$ High to $\overline{RE}$ Low	tWHR	60	-	ns
Device Resetting Time(Read/Program/Erase)	tRST	-	5/10/500 <sup>(1)</sup>	μs

**NOTE:** 1. If reset command(FFh) is written at Ready state, the device goes into Busy for maximum 5μs.

**NAND Flash Technical Notes**

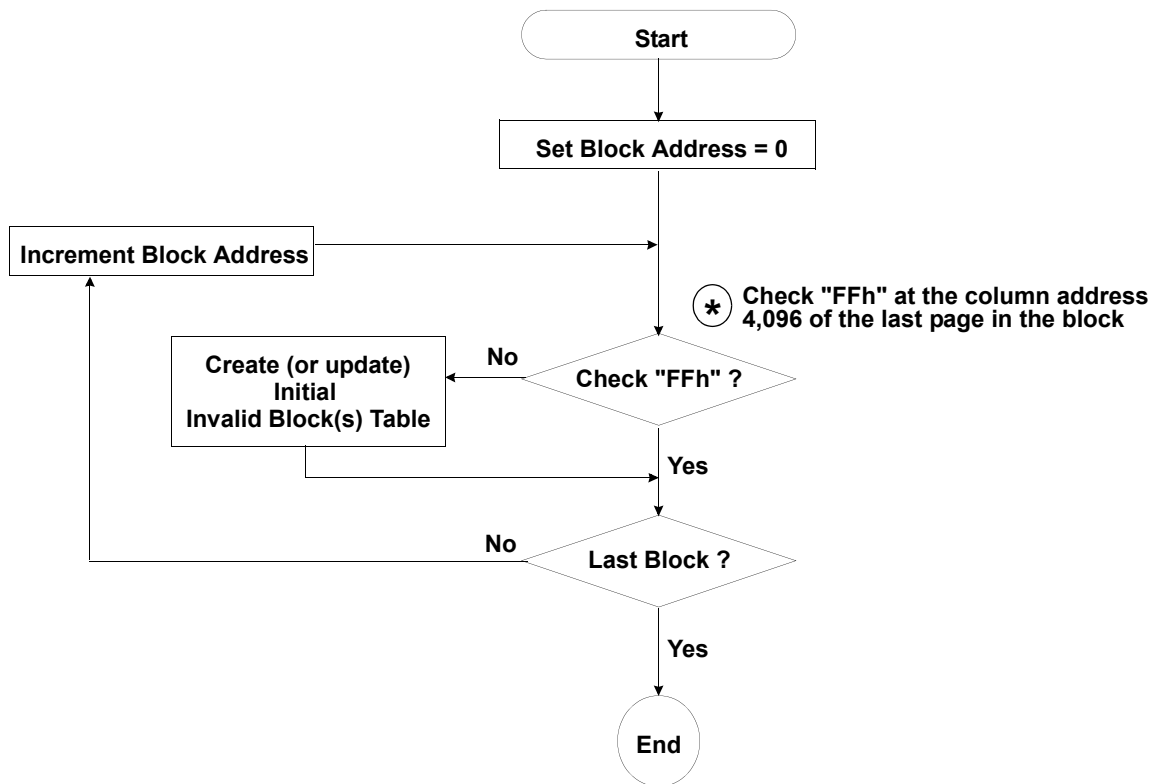
**Initial Invalid Block(s)**

Initial invalid blocks are defined as blocks that contain one or more initial invalid bits whose reliability is not guaranteed by Samsung. The information regarding the initial invalid block(s) is called the initial invalid block information. Devices with initial invalid block(s) have the same quality level as devices with all valid blocks and have the same AC and DC characteristics. An initial invalid block(s) does not affect the performance of valid block(s) because it is isolated from the bit line and the common source line by a select transistor. The system design must be able to mask out the initial invalid block(s) via address mapping. The 1st block, which is placed on 00h block address, is guaranteed to be a valid block at the time of shipment.

**Identifying Initial Invalid Block(s)**

All device locations are erased(FFh) except locations where the initial invalid block(s) information is written prior to shipping. The initial invalid block(s) status is defined by the 1st byte in the spare area. Samsung makes sure that the last page of every initial invalid block has non-FFh data at the column address of 4,096. The initial invalid block information is also erasable in most cases, and it is impossible to recover the information once it has been erased. Therefore, the system must be able to recognize the initial invalid block(s) based on the initial invalid block information and create the initial invalid block table via the following suggested flow chart (Figure 3). Any intentional erasure of the initial invalid block information is prohibited.

www.DataSheet4U.com



**Figure 3. Flow chart to create initial invalid block table.**

**NAND Flash Technical Notes (Continued)**

**Error in write or read operation**

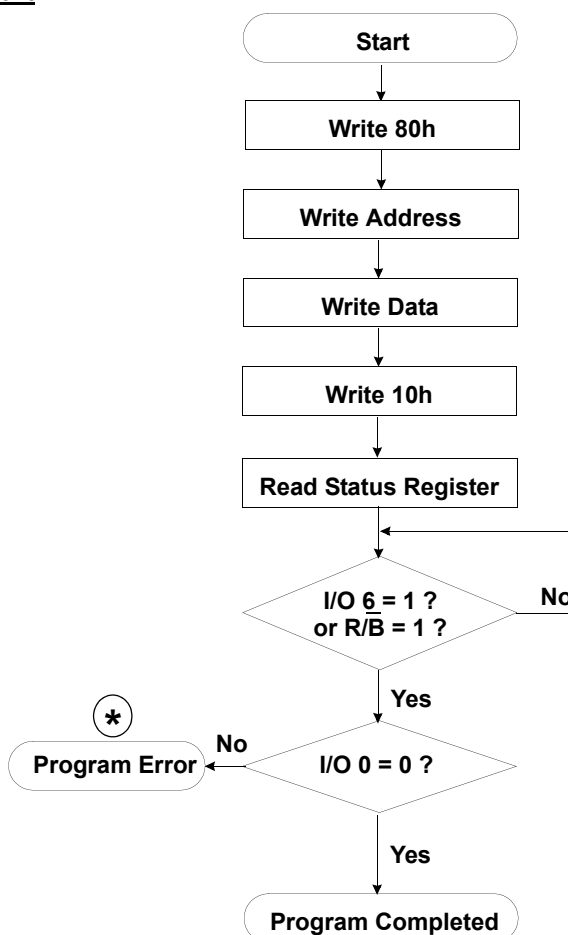
Within its life time, additional invalid blocks may develop with NAND Flash memory. Refer to the qualification report for the actual data. Block replacement should be done upon erase or program error.

	Failure Mode	Detection and Countermeasure sequence
Write	Erase Failure	Status Read after Erase --> Block Replacement
	Program Failure	Status Read after Program --> Block Replacement
Read	Up to Four Bit Failure	Verify ECC -> ECC Correction

**ECC** : Error Correcting Code --> RS Code etc.  
Example) 4bit correction / 512-byte

www.DataSheet4U.com

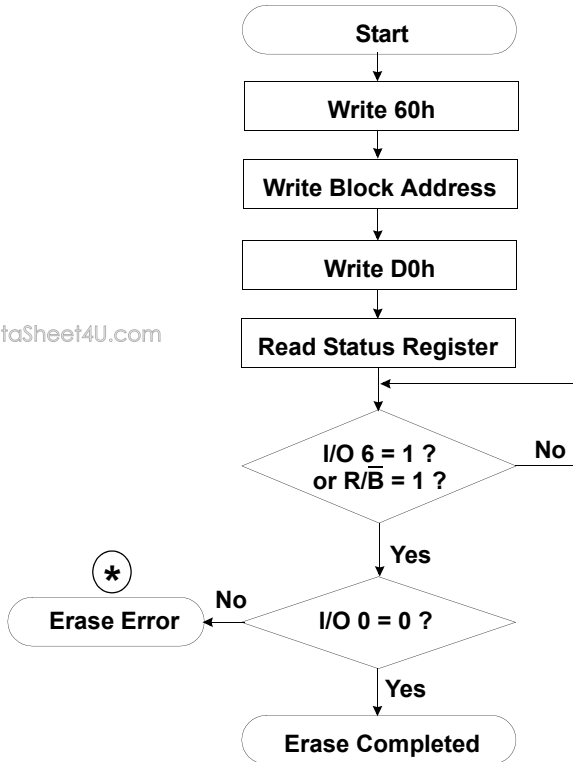
**Program Flow Chart**



(\*): If program operation results in an error, map out the block including the page in error and copy the target data to another block.

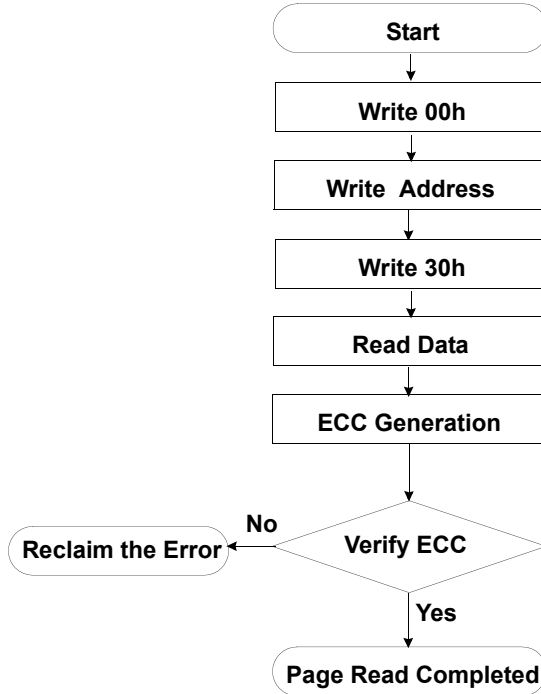
**NAND Flash Technical Notes (Continued)**

**Erase Flow Chart**



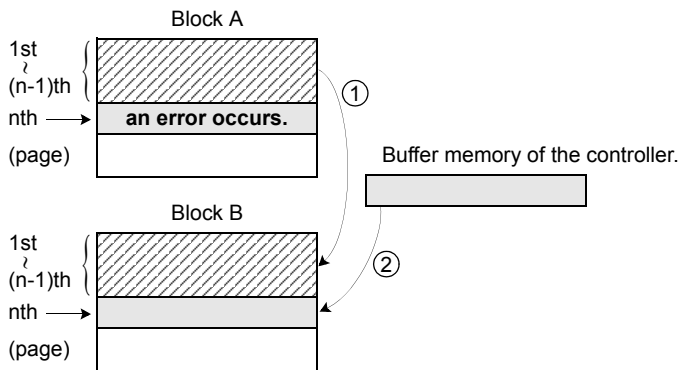
www.DataSheet4U.com

**Read Flow Chart**



\* : If erase operation results in an error, map out the failing block and replace it with another block.

**Block Replacement**



- \* Step1  
When an error happens in the nth page of the Block 'A' during erase or program operation.
- \* Step2  
Copy the data in the 1st ~ (n-1)th page to the same location of another free block. (Block 'B')
- \* Step3  
Then, copy the nth page data of the Block 'A' in the buffer memory to the nth page of the Block 'B'.
- \* Step4  
Do not erase or program to Block 'A' by creating an 'invalid block' table or other appropriate scheme.

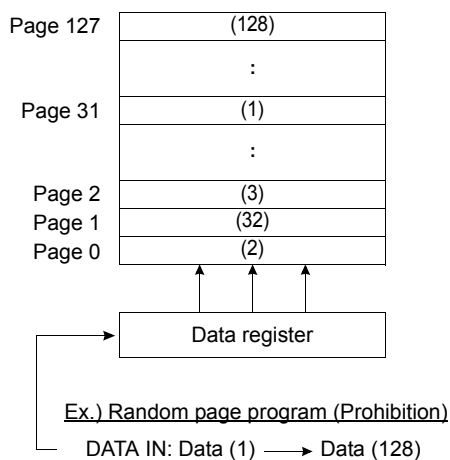
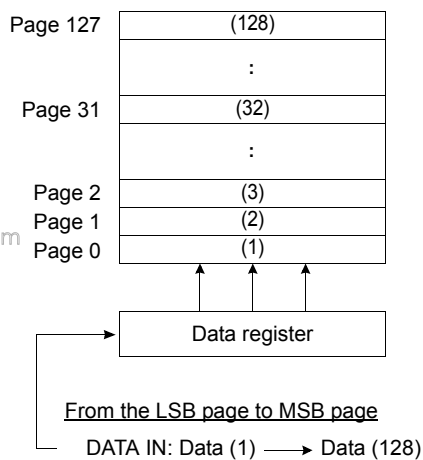


**NAND Flash Technical Notes (Continued)**

**Addressing for program operation**

Within a block, the pages must be programmed consecutively from the LSB (least significant bit) page of the block to MSB (most significant bit) pages of the block. Random page address programming is prohibited. In this case, the definition of LSB page is the LSB among the pages to be programmed. Therefore, LSB doesn't need to be page 0.

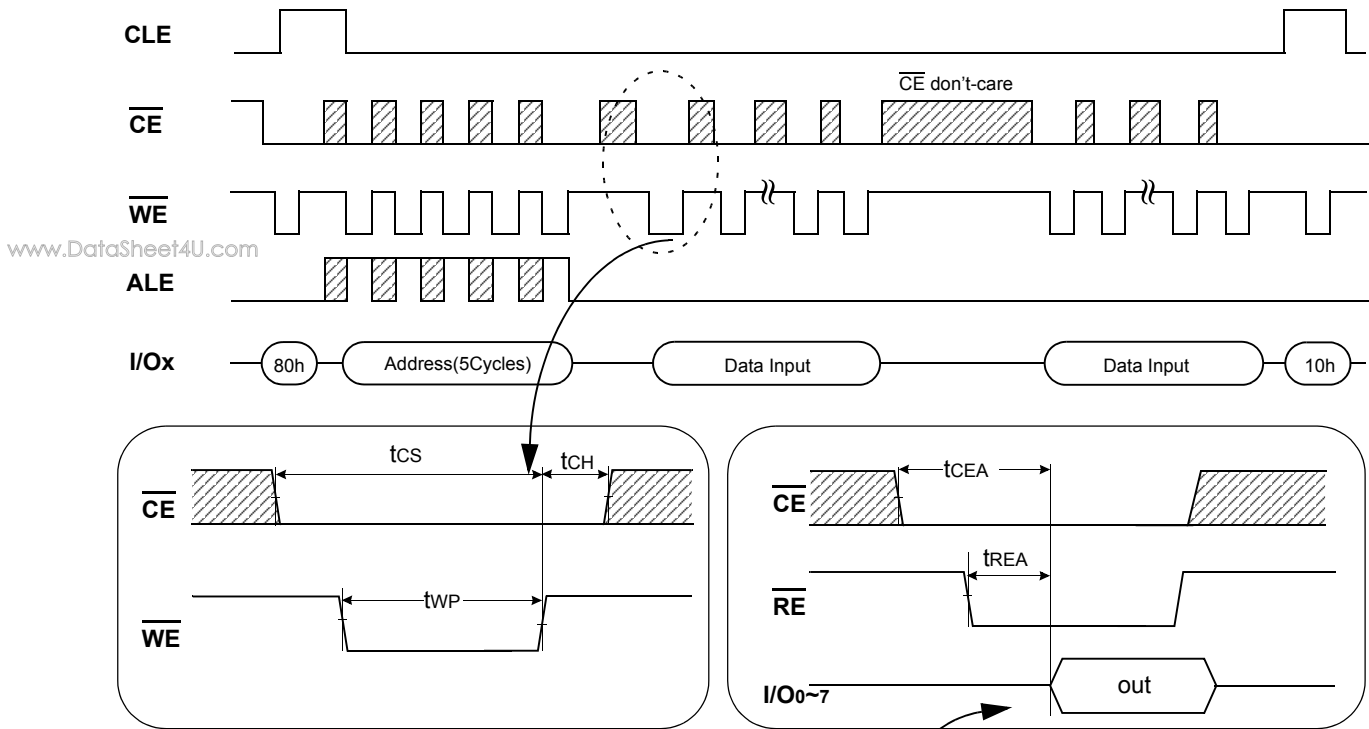
www.DataSheet4U.com



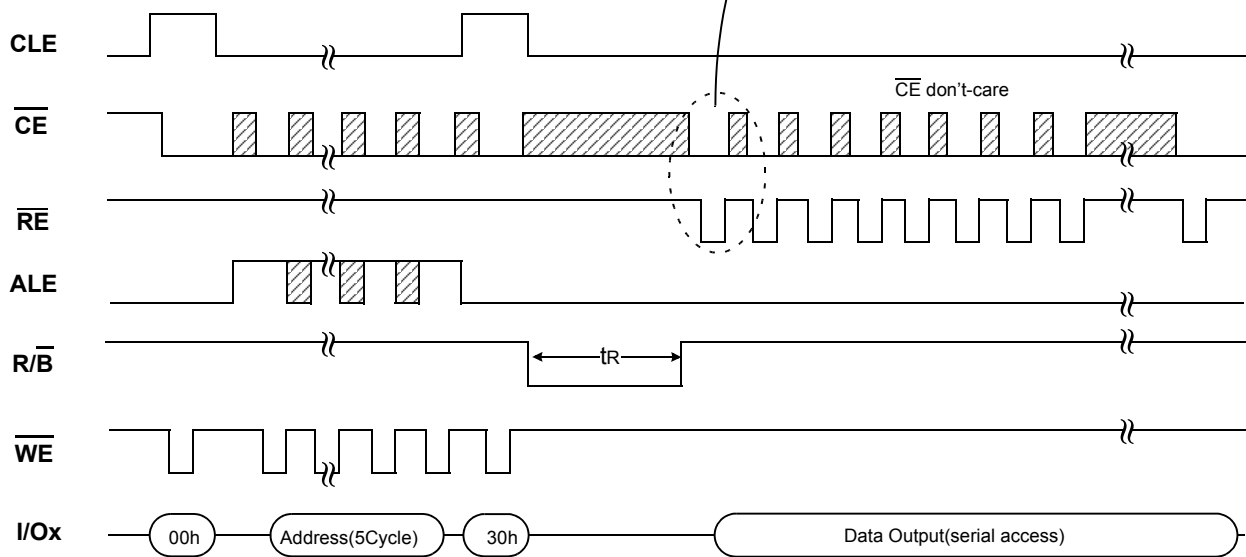
**System Interface Using  $\overline{\text{CE}}$  don't-care.**

For an easier system interface,  $\overline{\text{CE}}$  may be inactive during the data-loading or serial access as shown below. The internal 4,224byte data registers are utilized as separate buffers for this operation and the system design gets more flexible. In addition, for voice or audio applications which use slow cycle time on the order of  $\mu$ -seconds, de-activating  $\overline{\text{CE}}$  during the data-loading and serial access would provide significant savings in power consumption.

**Figure 4. Program Operation with  $\overline{\text{CE}}$  don't-care.**



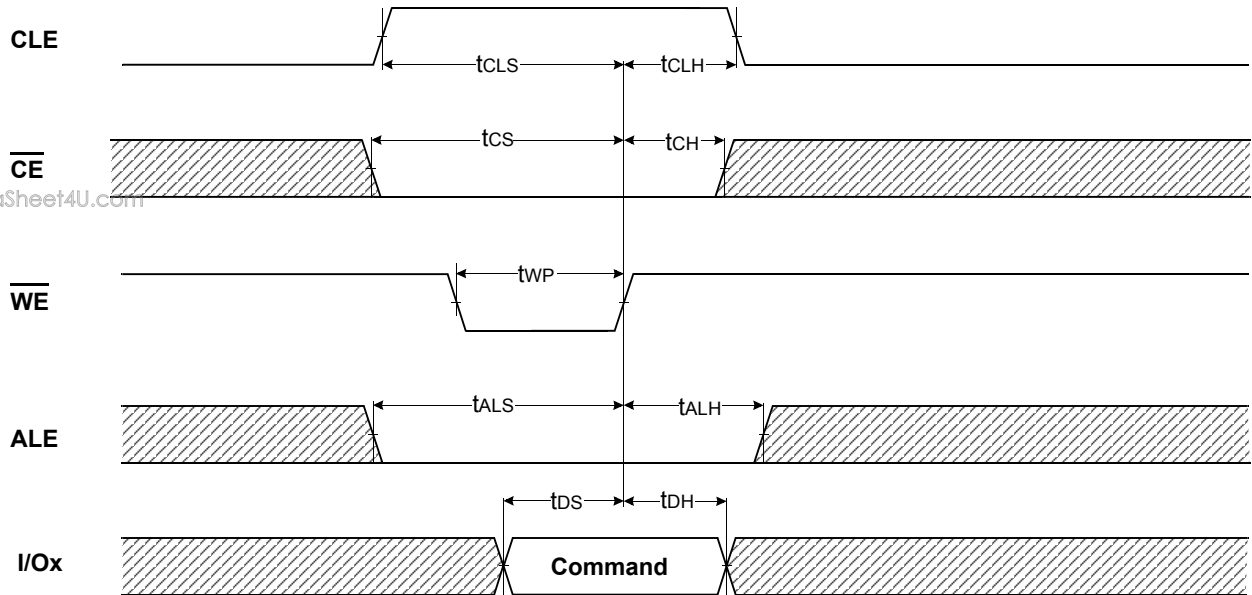
**Figure 5. Read Operation with  $\overline{\text{CE}}$  don't-care.**



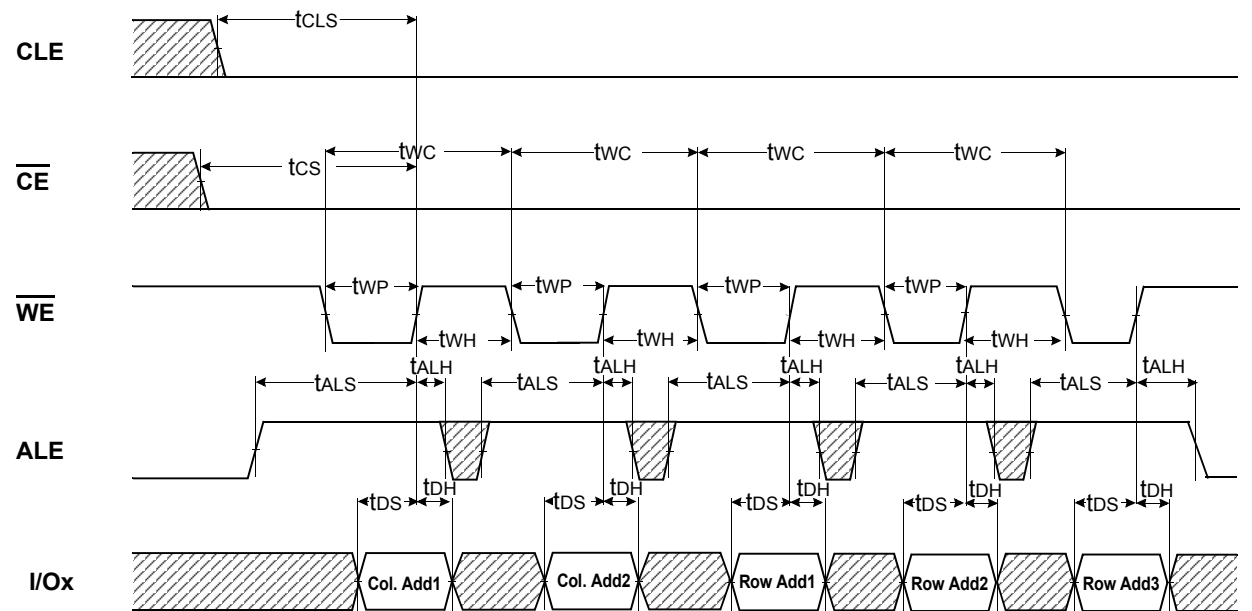
NOTE

Device	I/O	DATA	ADDRESS				
	I/Ox	Data In/Out	Col. Add1	Col. Add2	Row Add1	Row Add2	Row Add3
K9GAG08X0M	I/O 0 ~ I/O 7	~4,224byte	A0~A7	A8~A12	A13~A20	A21~A28	A29~A31

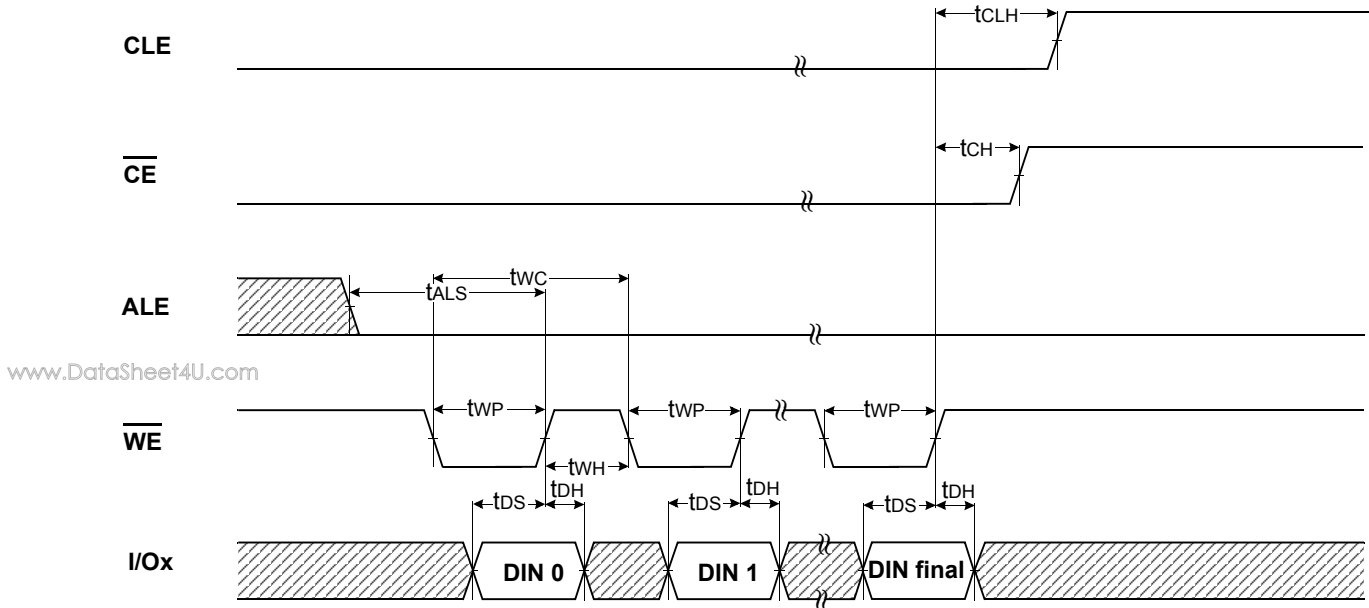
**Command Latch Cycle**



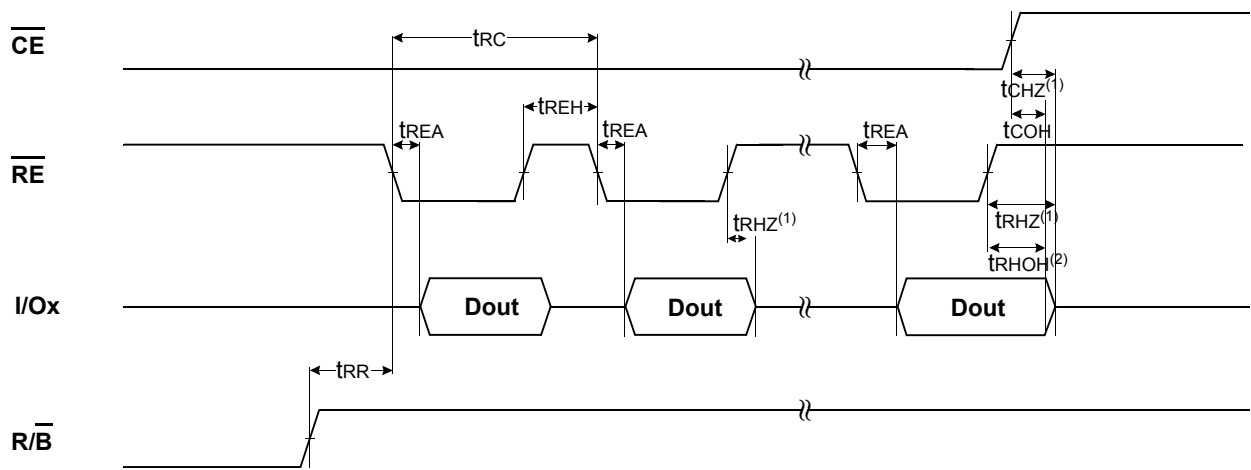
**Address Latch Cycle**



Input Data Latch Cycle

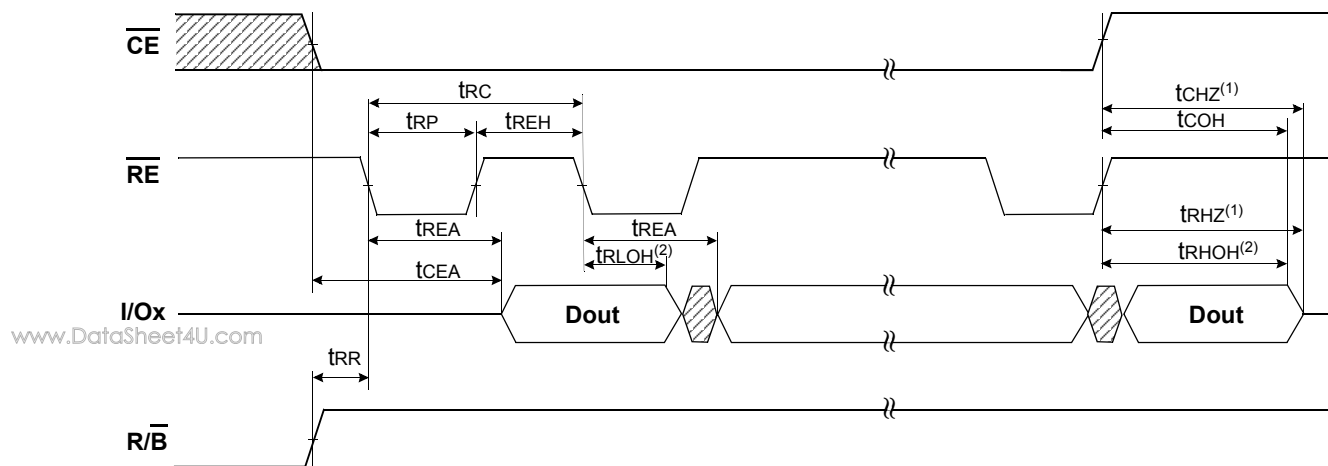


\* Serial Access Cycle after Read (CLE=L,  $\overline{\text{WE}}$ =H, ALE=L)



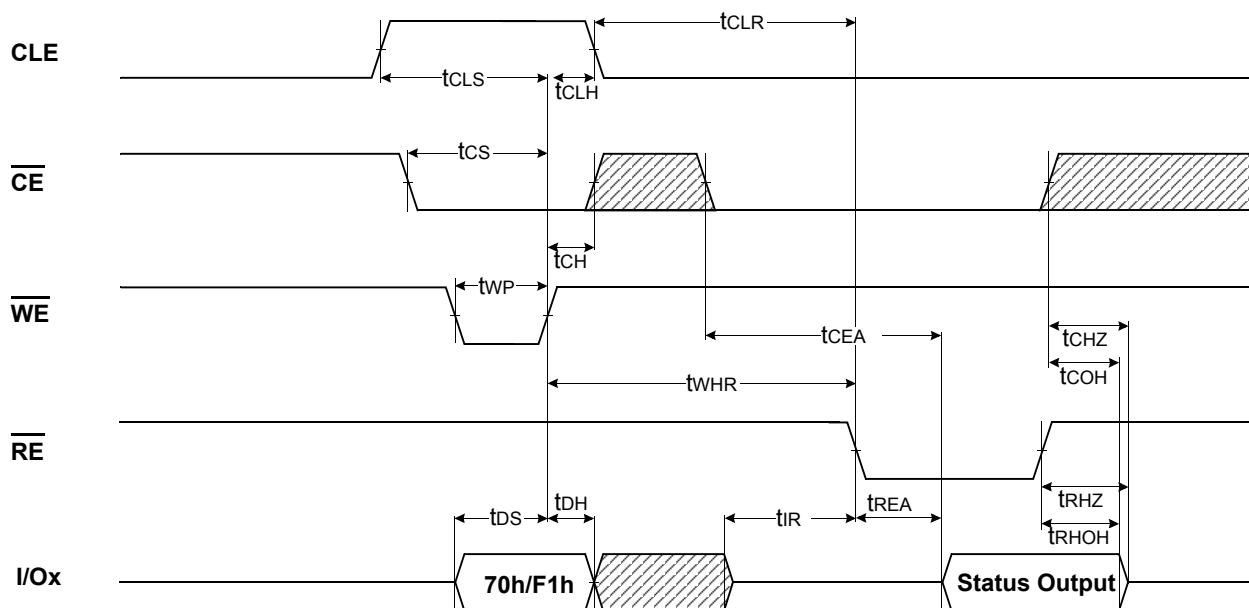
NOTES : 1. Transition is measured at  $\pm 200\text{mV}$  from steady state voltage with load. This parameter is sampled and not 100% tested.  
2.  $t_{\text{RHOH}}$  starts to be valid when frequency is lower than 33MHz.

Serial Access Cycle after Read (EDO Type, CLE=L, WE=H, ALE=L)

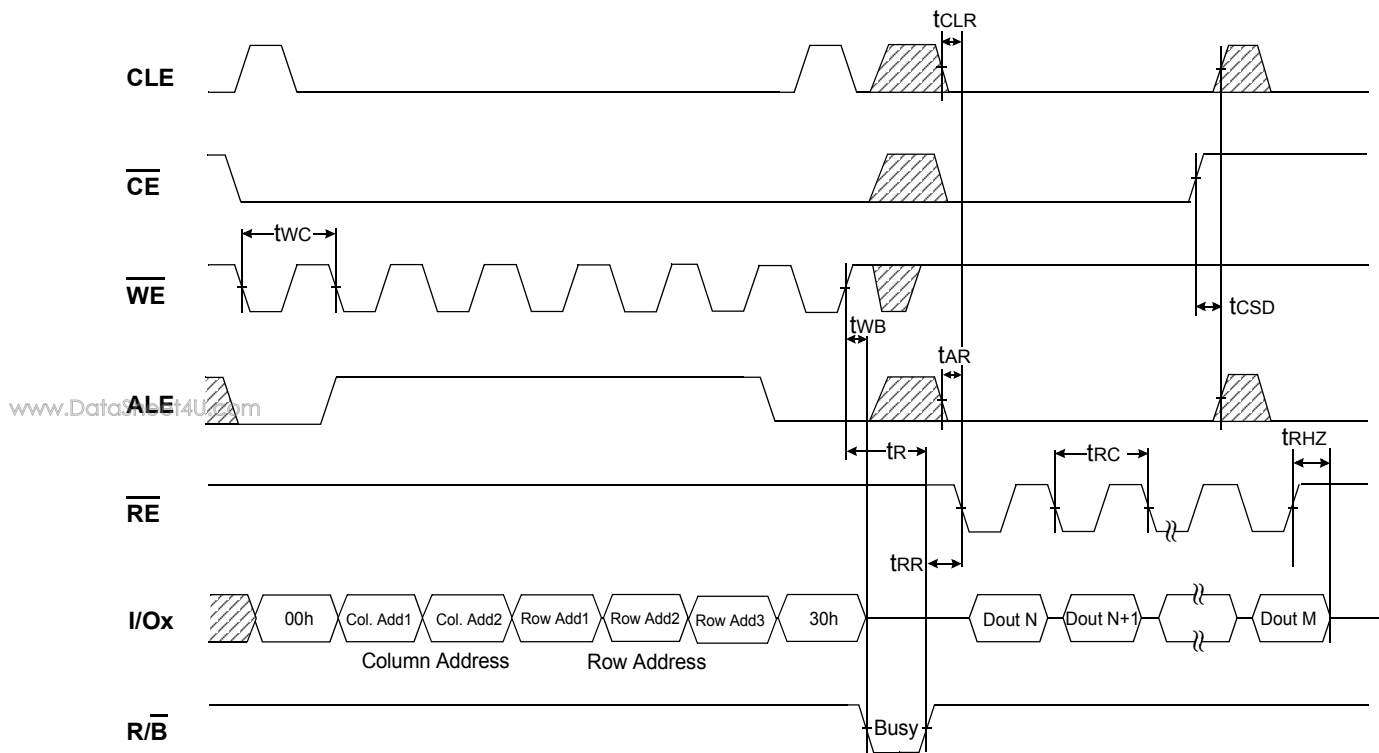


- NOTES : 1. Transition is measured at  $\pm 200\text{mV}$  from steady state voltage with load. This parameter is sampled and not 100% tested.  
2.  $t_{RLOH}$  is valid when frequency is higher than 33MHz.  $t_{RHOH}$  starts to be valid when frequency is lower than 33MHz.

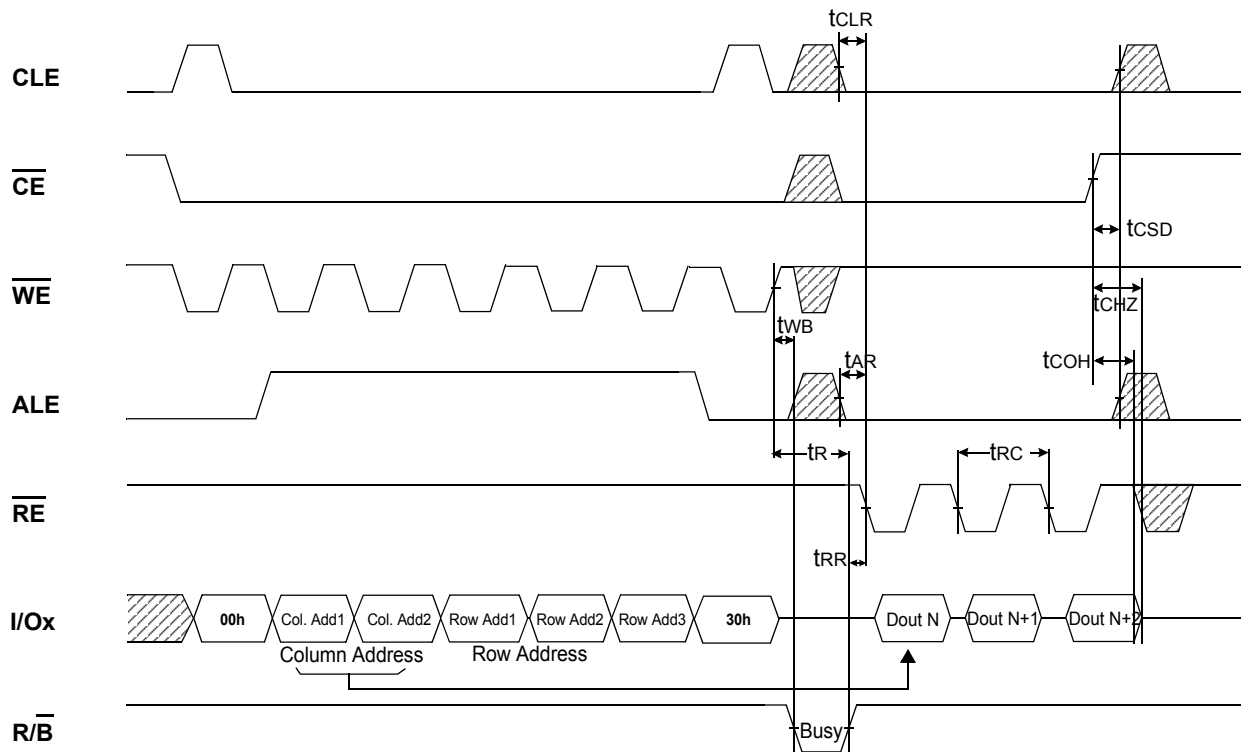
Status Read Cycle



**Read Operation**

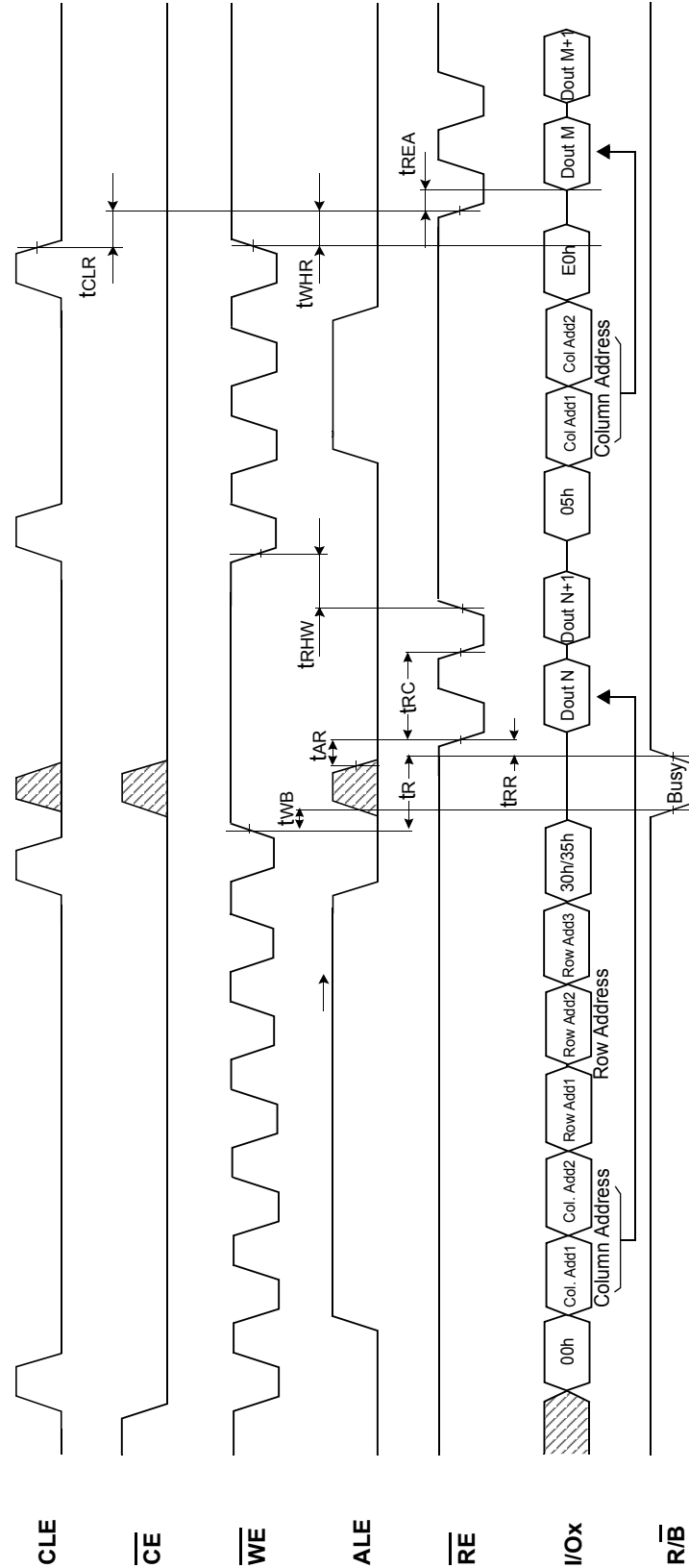


**Read Operation (Intercepted by CE)**

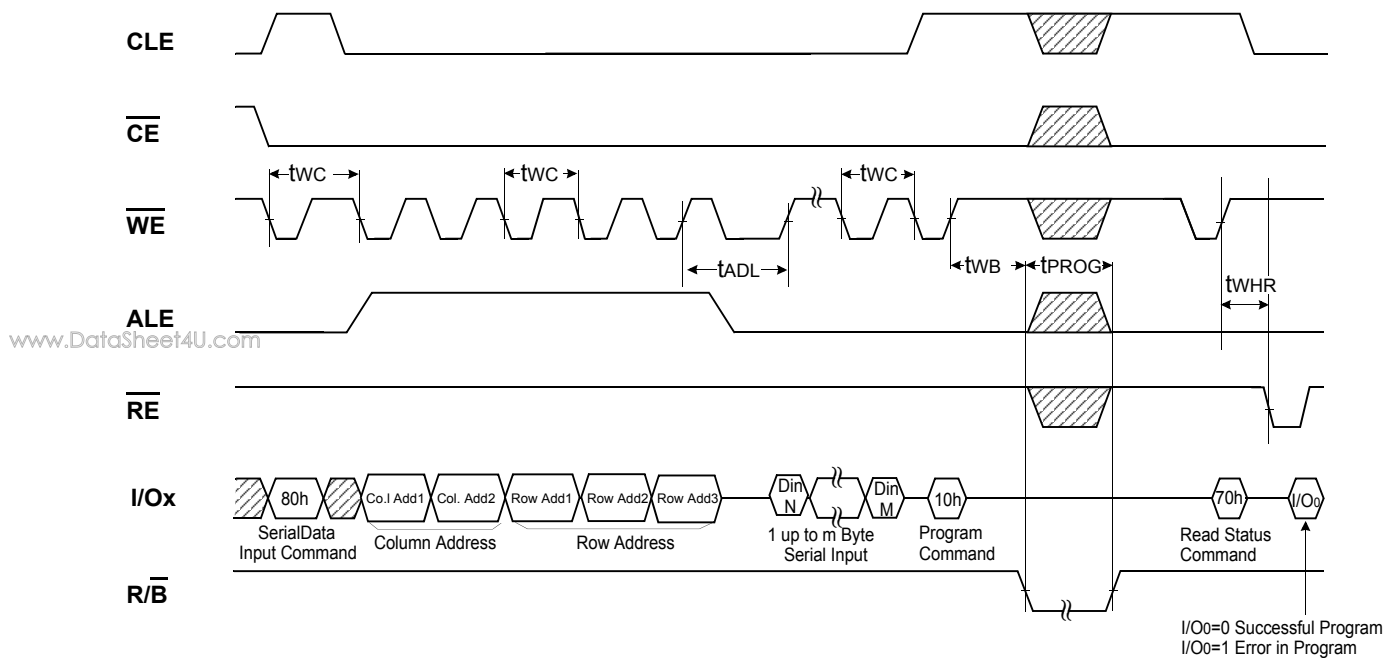


www.DataSheet4U.com

**Random Data Output In a Page**



**Page Program Operation**

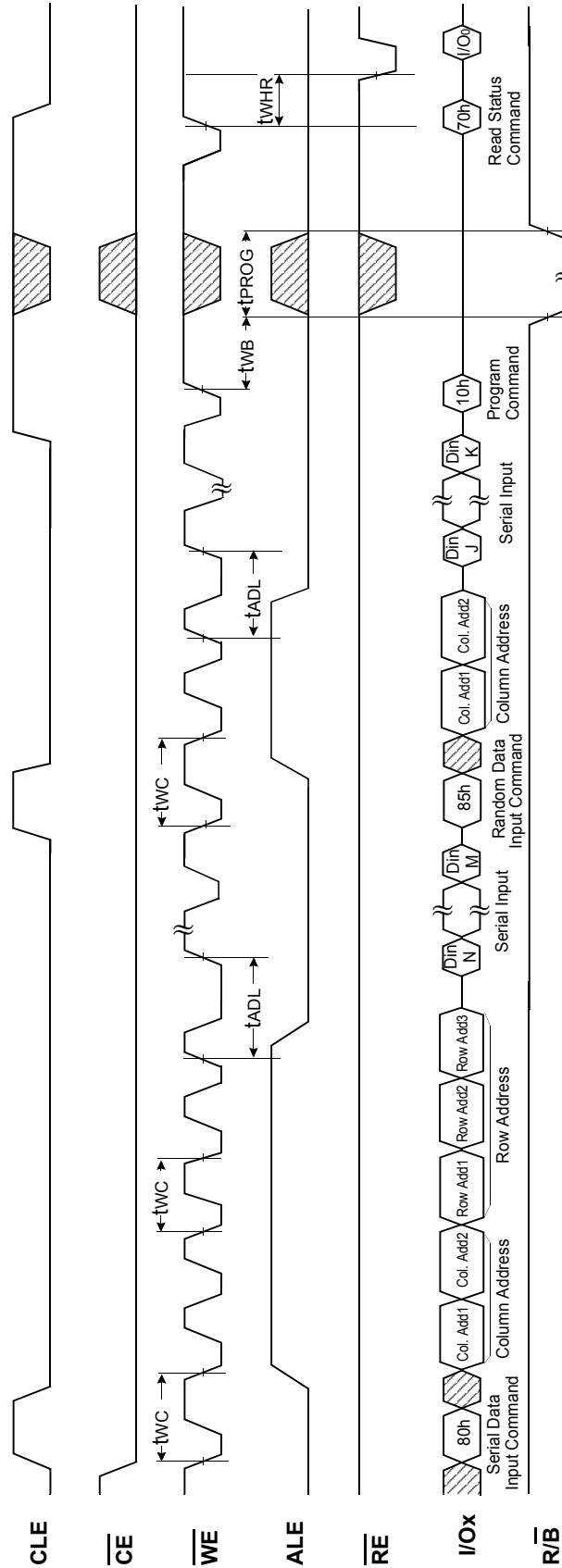


**NOTES** :  $t_{ADL}$  is the time from the  $\overline{WE}$  rising edge of final address cycle to the  $\overline{WE}$  rising edge of first data cycle.



www.DataSheet4U.com

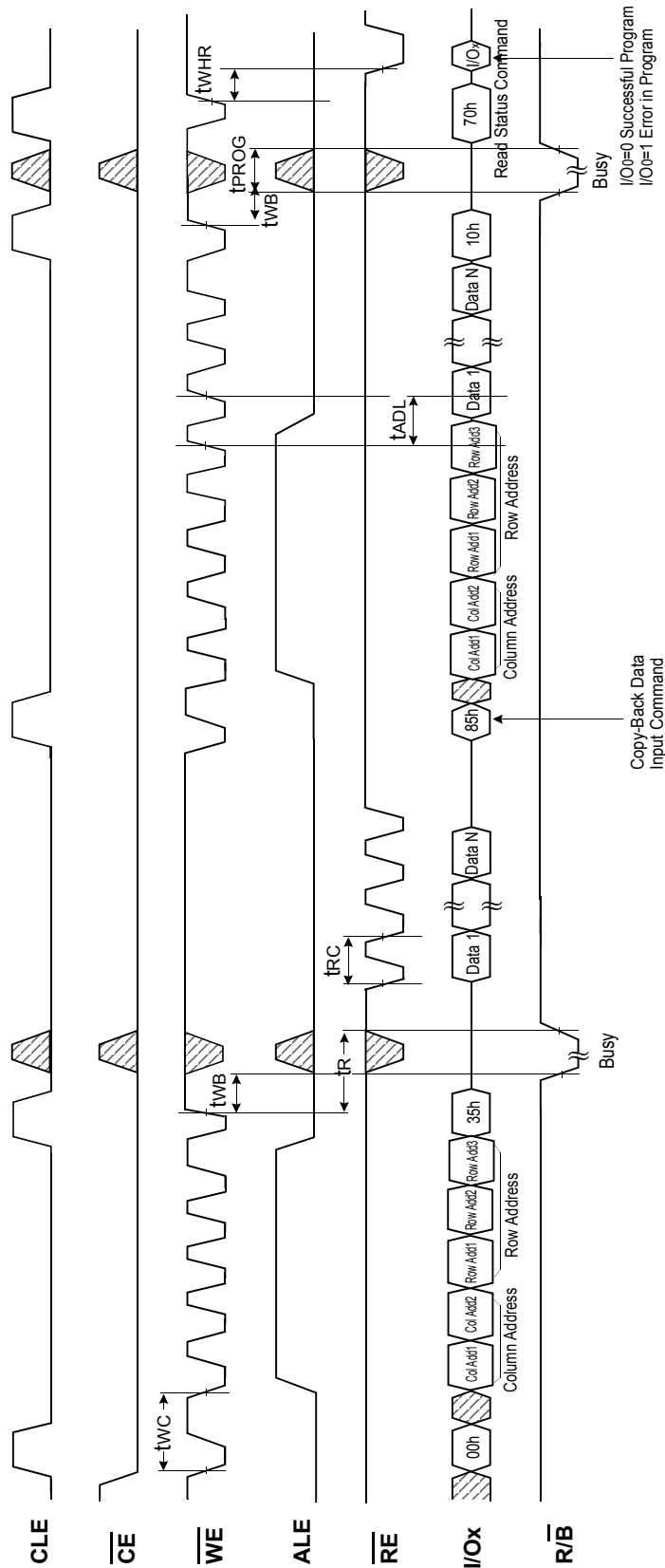
Page Program Operation with Random Data Input



NOTES : 1.  $t_{ADL}$  is the time from the  $\overline{WE}$  rising edge of final address cycle to the  $\overline{WE}$  rising edge of first data cycle.

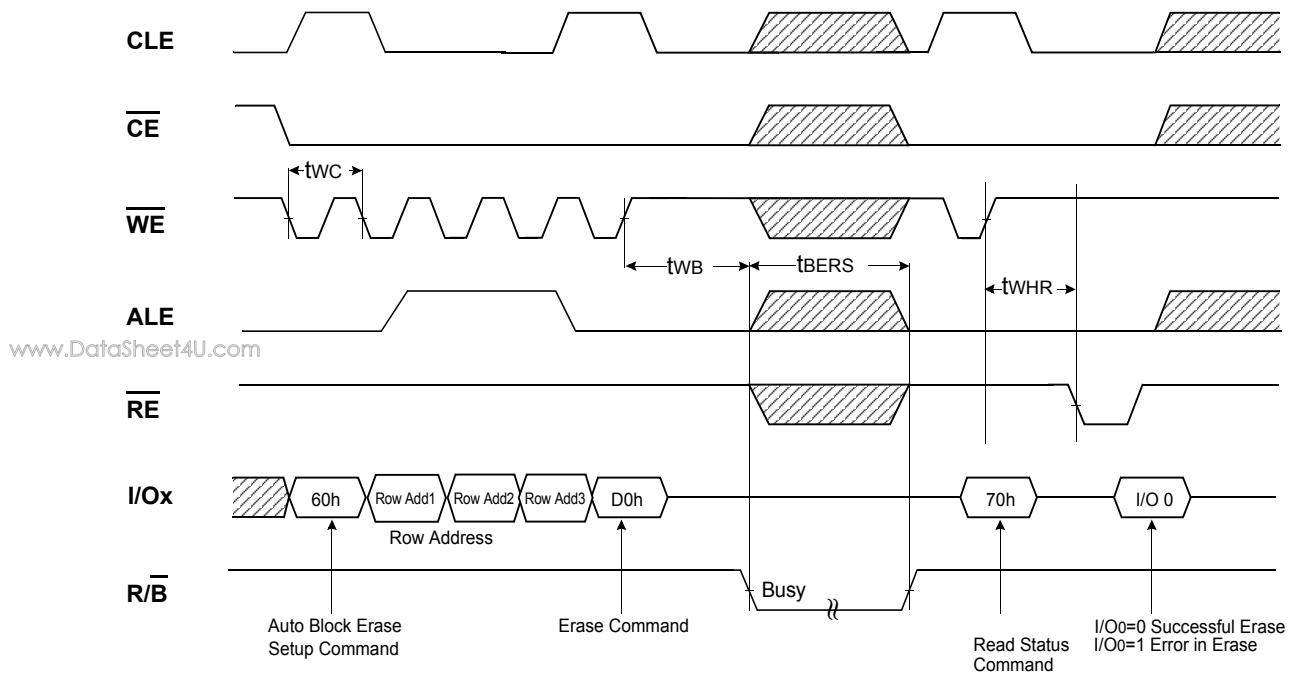
www.DataSheet4U.com

**Copy-Back Program Operation with Random Data Input**



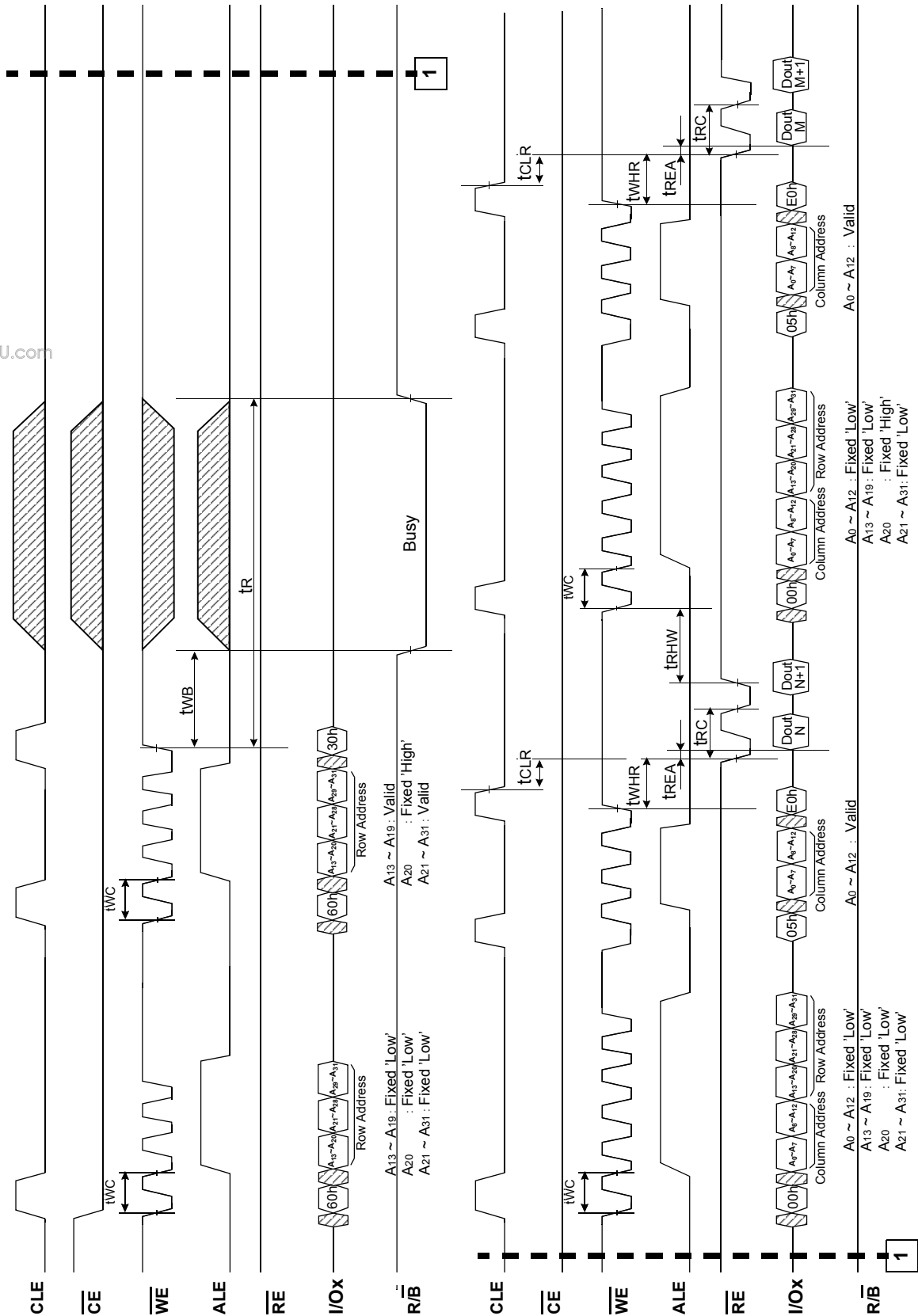
**NOTES** : 1.  $t_{ADL}$  is the time from the  $\overline{WE}$  rising edge of final address cycle to the  $\overline{WE}$  rising edge of first data cycle.

**Block Erase Operation**



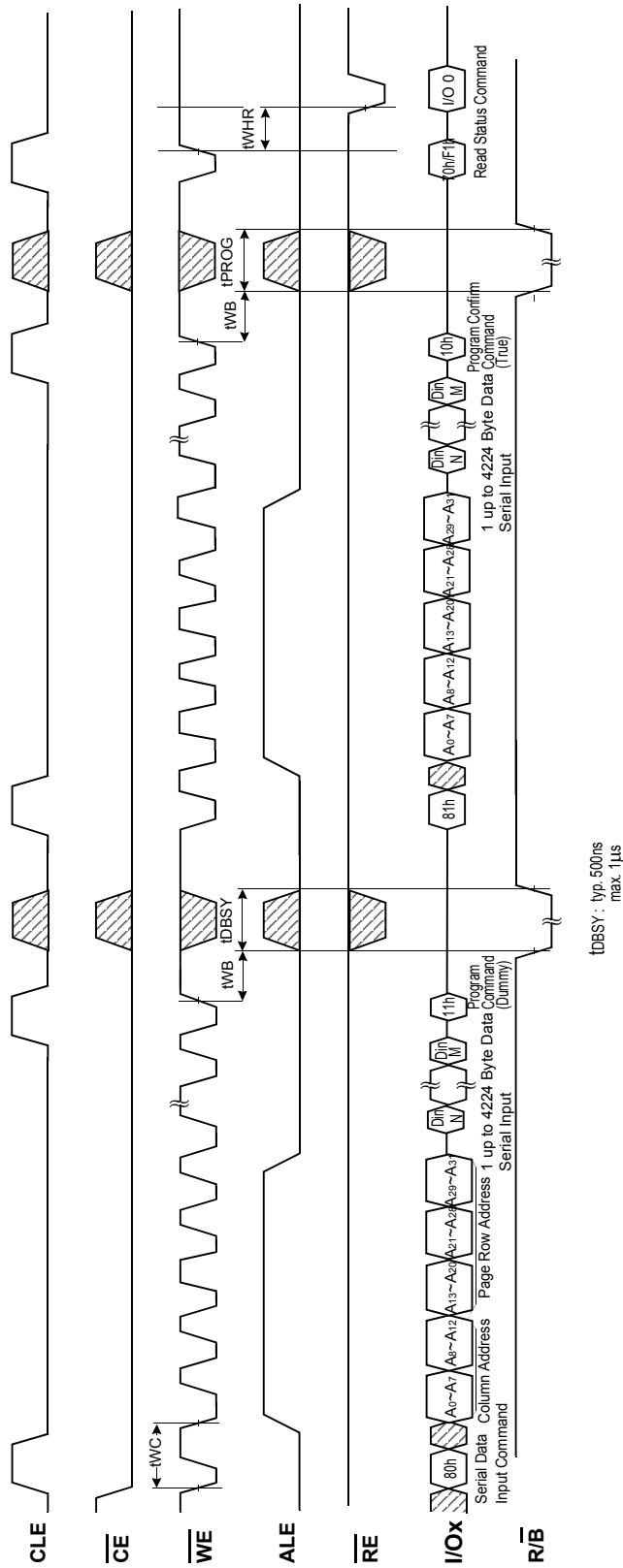
Two-Plane Page Read Operation with Two-Plane Random Data Out

www.DataSheet4U.com



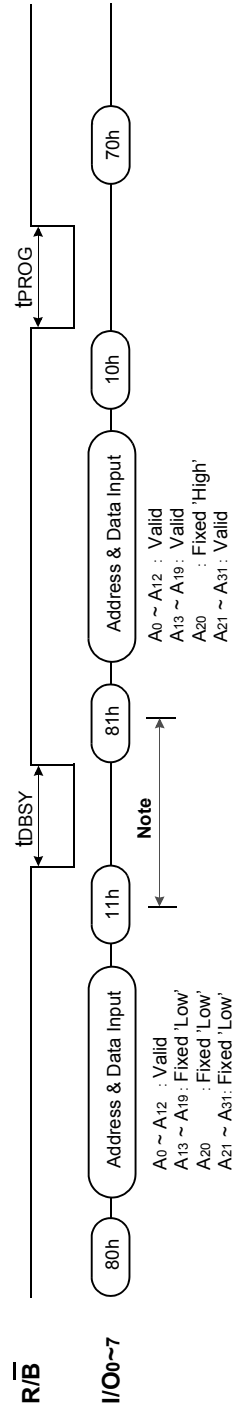
www.DataSheet4U.com

Two-Plane Page Program Operation



$t_{DDBSY}$  : typ. 500ns  
max. 1μs

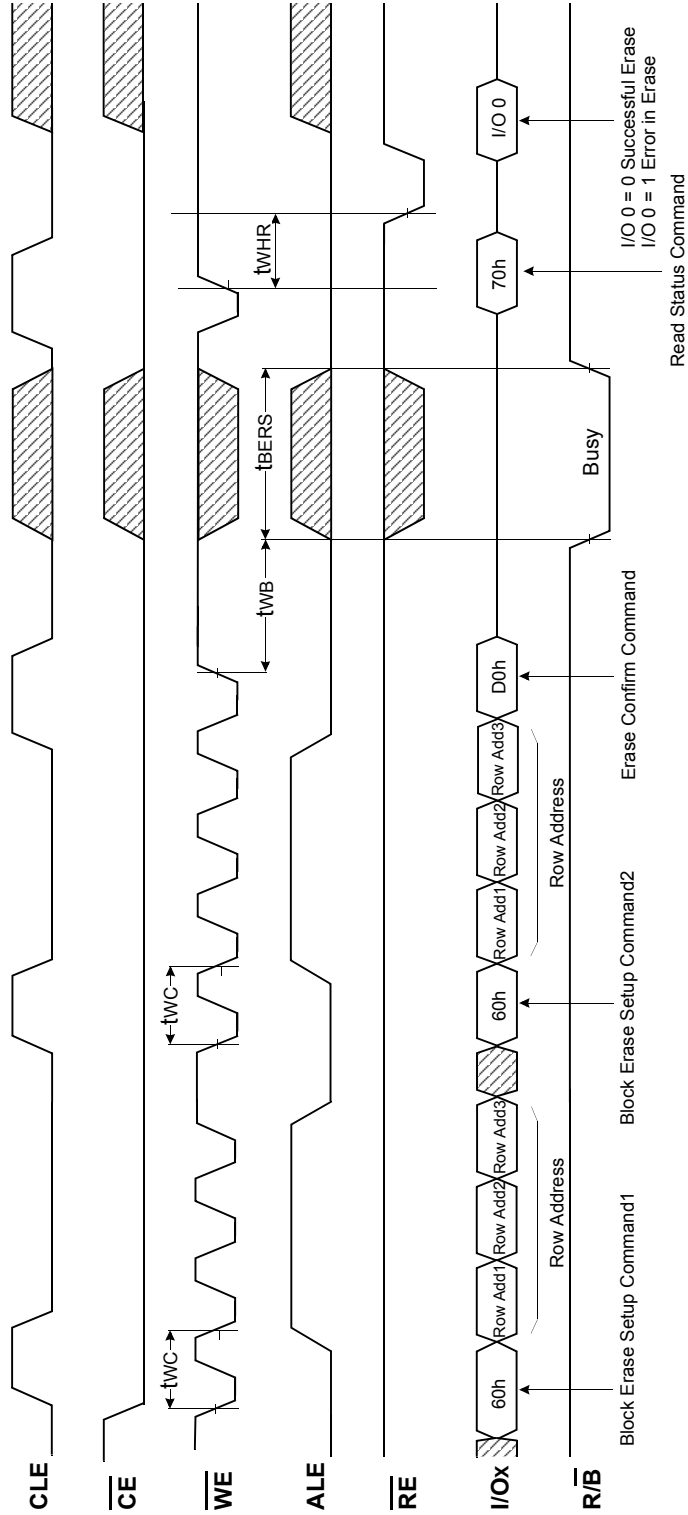
Ex.) Two-Plane Page Program



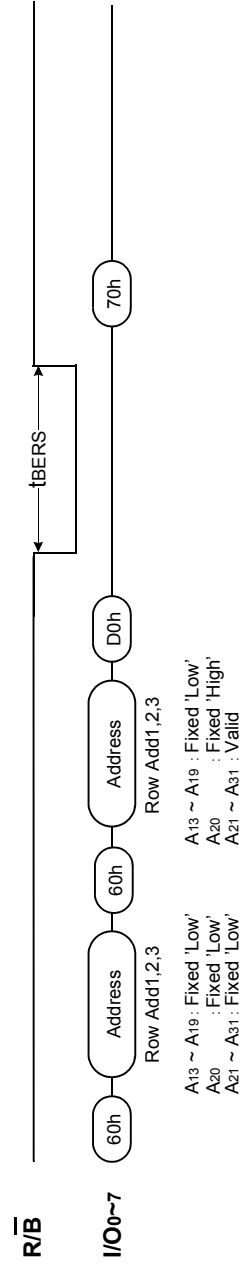
Note: Any command between 11h and 81h is prohibited except 70h/F1h and FFh.

www.DataSheet4U.com

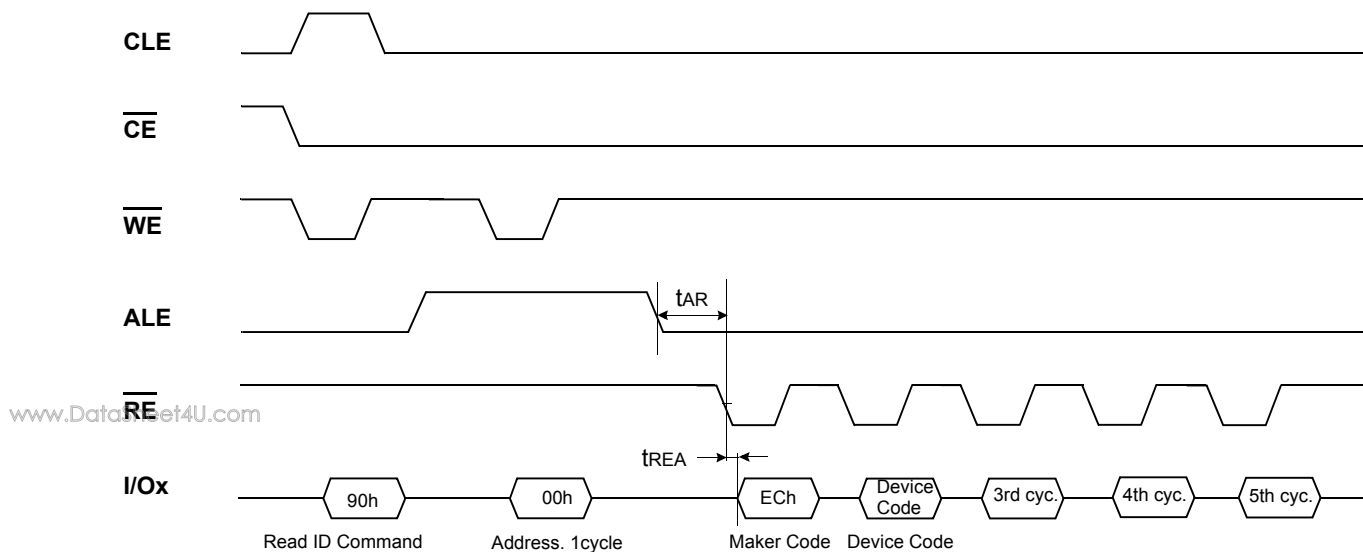
**Two-Plane Block Erase Operation**



**Ex.) Address Restriction for Two-Plane Block Erase Operation**



**Read ID Operation**



Device	Device Code(2nd Cycle)	3rd Cycle	4th Cycle	5th Cycle
K9GAG08B0M	Same as K9GAG08U0M			
K9GAG08U0M	D5h	14h	B6h	74h
K9LBG08U1M	Same as K9GAG08U0M in it			

**ID Definition Table**

**90 ID : Access command = 90H**

	Description
1 <sup>st</sup> Byte	Maker Code
2 <sup>nd</sup> Byte	Device Code
3 <sup>rd</sup> Byte	Internal Chip Number, Cell Type, Number of Simultaneously Programmed Pages, etc
4 <sup>th</sup> Byte	Page Size, Block Size, Spare Size, Organization, Serial Access Minimum
5 <sup>th</sup> Byte	Plane Number, Plane Size

**3rd ID Data**

	Description	I/O7	I/O6	I/O5	I/O4	I/O3	I/O2	I/O1	I/O0
Internal Chip Number	1							0	0
	2							0	1
	4							1	0
	8							1	1
Cell Type	2 Level Cell					0	0		
	4 Level Cell					0	1		
	8 Level Cell					1	0		
	16 Level Cell					1	1		
Number of Simultaneously Programmed Pages	1			0	0				
	2			0	1				
	4			1	0				
	8			1	1				
Interleave Program Between multiple chips	Not Support		0						
	Support		1						
Cache Program	Not Support	0							
	Support	1							

**4th ID Data**

	Description	I/O7	I/O6	I/O5	I/O4	I/O3	I/O2	I/O1	I/O0
Page Size (w/o redundant area )	1KB							0	0
	2KB							0	1
	4KB							1	0
	8KB							1	1
Block Size (w/o redundant area )	64KB			0	0				
	128KB			0	1				
	256KB			1	0				
	512KB			1	1				
Redundant Area Size ( byte/512byte)	8						0		
	16						1		
Organization	x8		0						
	x16		1						
Serial Access Minimum	50ns/30ns	0				0			
	25ns	1				0			
	Reserved	0				1			
	Reserved	1				1			



**5th ID Data**

	Description	I/O7	I/O6	I/O5	I/O4	I/O3	I/O2	I/O1	I/O0
Plane Number	1					0	0		
	2					0	1		
	4					1	0		
	8					1	1		
Plane Size (w/o redundant Area)	64Mb		0	0	0				
	128Mb		0	0	1				
	256Mb		0	1	0				
	512Mb		0	1	1				
	1Gb		1	0	0				
	2Gb		1	0	1				
	4Gb		1	1	0				
8Gb		1	1	1					
Reserved		0						0	0

www.DataSheet4U.com

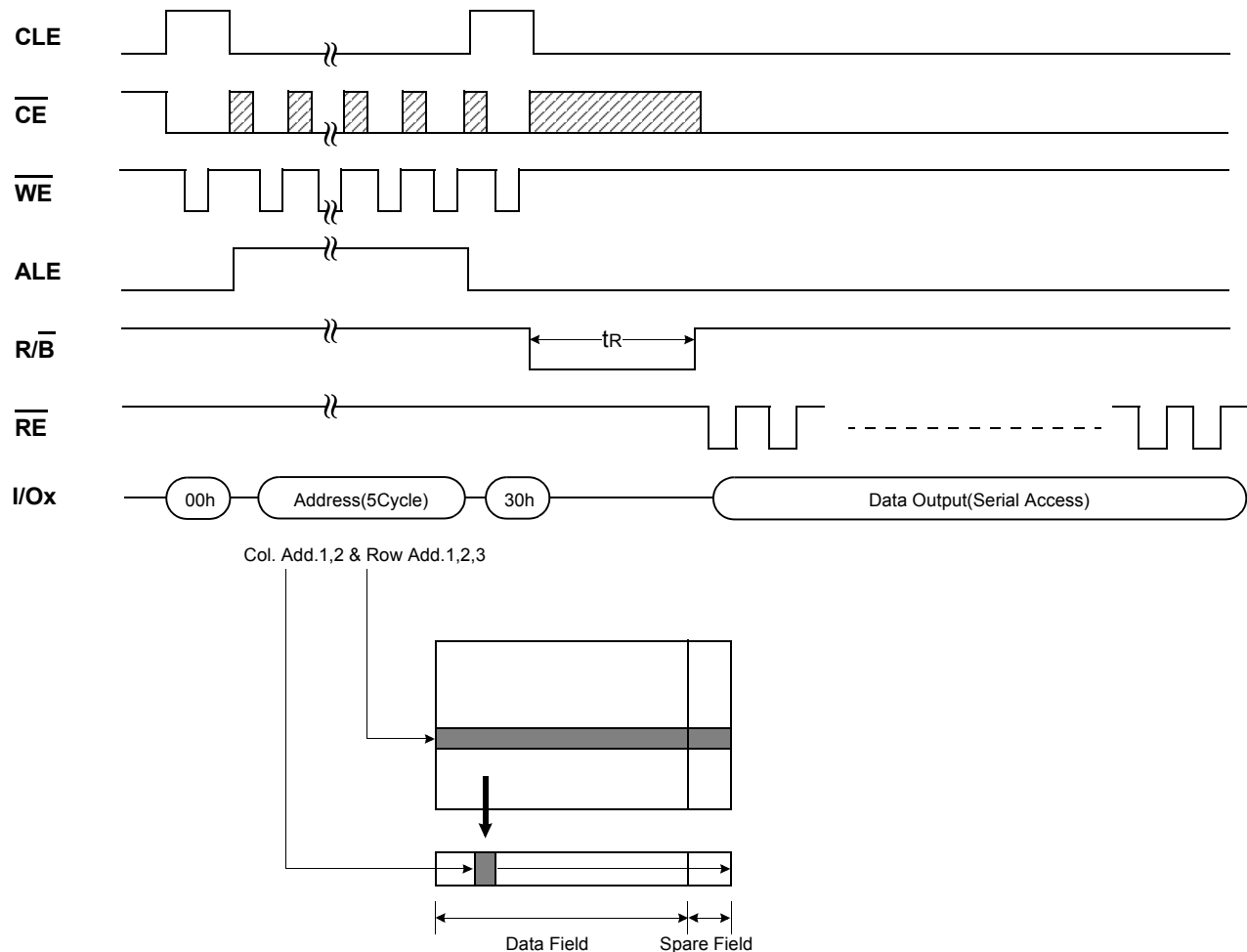
**Device Operation**

**PAGE READ**

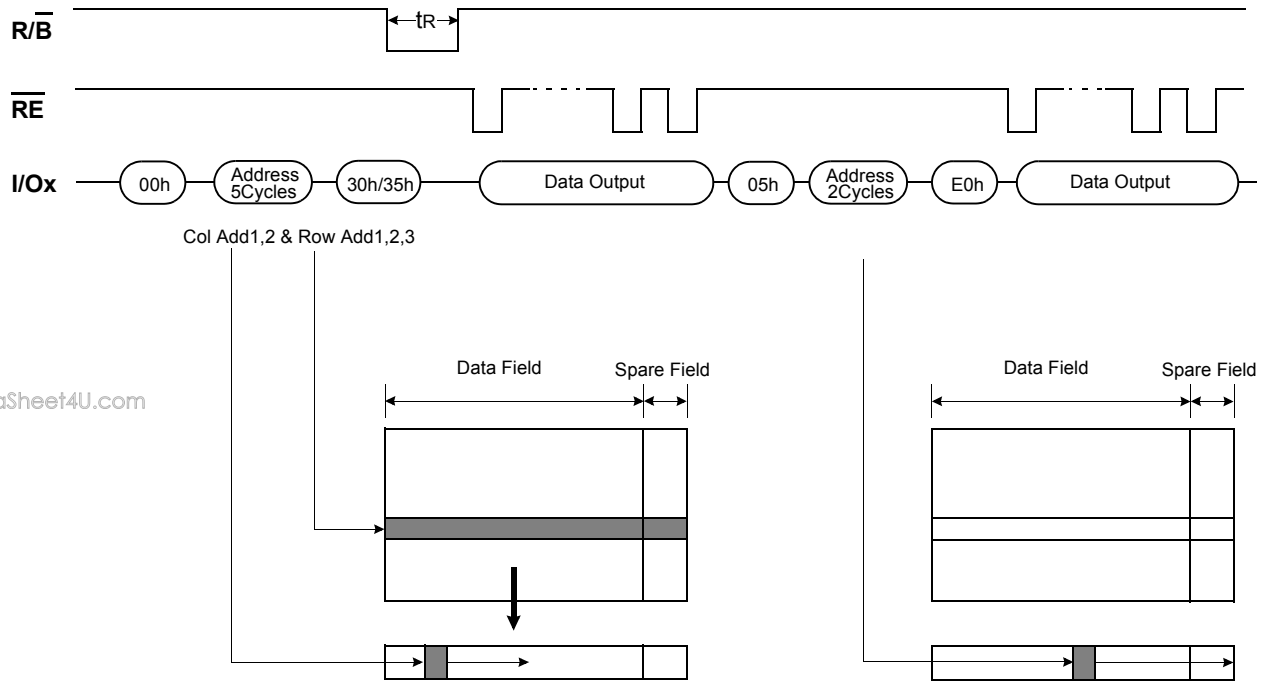
Page read is initiated by writing 00h-30h to the command register along with five address cycles. After initial power up, 00h command is latched. Therefore only five address cycles and 30h command initiates that operation after initial power up. The 4,224 bytes of data within the selected page are transferred to the data registers in less than 60μs( $t_R$ ). The system controller can detect the completion of this data transfer( $t_R$ ) by analyzing the output of  $R/\bar{B}$  pin. Once the data in a page is loaded into the data registers, they may be read out in 25ns cycle time by sequentially pulsing RE. The repetitive high to low transitions of the RE clock make the device output the data starting from the selected column address up to the last column address.

The device may output random data in a page instead of the consecutive sequential data by writing random data output command. The column address of next data, which is going to be out, may be changed to the address which follows random data output command. Random data output can be operated multiple times regardless of how many times it is done in a page.

www.DataSheet4U.com **Figure 6. Read Operation**



**Figure 7. Random Data Output In a Page**



www.DataSheet4U.com

**PAGE PROGRAM**

The device is programmed basically on a page basis, and the number of consecutive partial page programming operation within the same page without an intervening erase operation must not exceed 1 time for the page. The addressing should be done in sequential order in a block. A page program cycle consists of a serial data loading period in which up to 4,224bytes of data may be loaded into the data register, followed by a non-volatile programming period where the loaded data is programmed into the appropriate cell. The serial data loading period begins by inputting the Serial Data Input command(80h), followed by the five cycle address inputs and then serial data loading. The words other than those to be programmed do not need to be loaded. The device supports random data input in a page. The column address for the next data, which will be entered, may be changed to the address which follows random data input command(85h). Random data input may be operated multiple times regardless of how many times it is done in a page. The Page Program confirm command(10h) initiates the programming process. Writing 10h alone without previously entering the serial data will not initiate the programming process. The internal write state controller automatically executes the algorithms and timings necessary for program and verify, thereby freeing the system controller for other tasks. Once the program process starts, the Read Status Register command may be entered to read the status register. The system controller can detect the completion of a program cycle by monitoring the R/B output, or the Status bit(I/O 6) of the Status Register. Only the Read Status command and Reset command are valid while programming is in progress. When the Page Program is complete, the Write Status Bit(I/O 0) may be checked(Figure 8). The internal write verify detects only errors for "1"s that are not successfully programmed to "0"s. The command register remains in Read Status command mode until another valid command is written to the command register.

**Figure 8. Program & Read Status Operation**

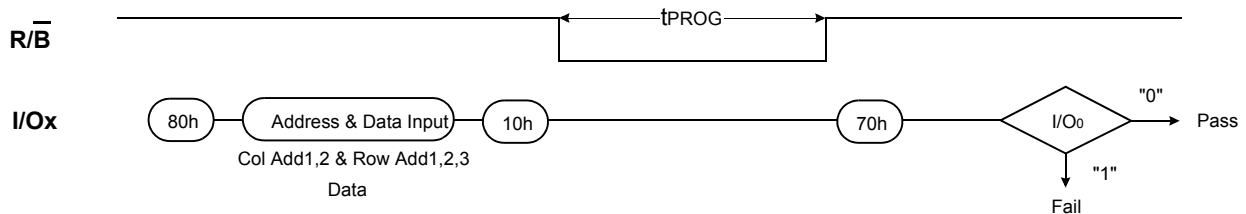
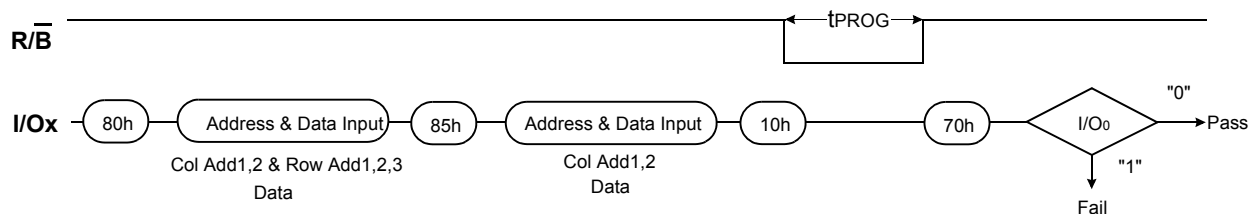


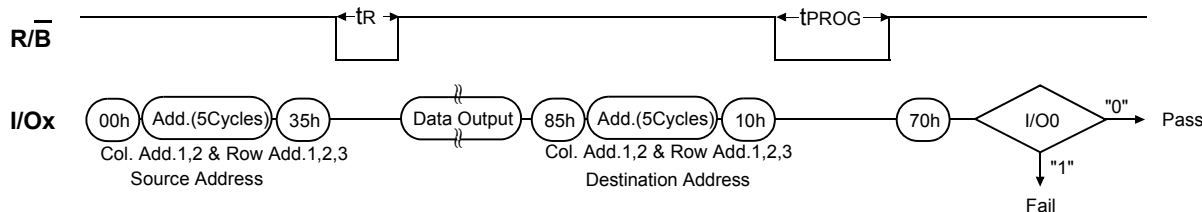
Figure 9. Random Data Input In a Page



**COPY-BACK PROGRAM**

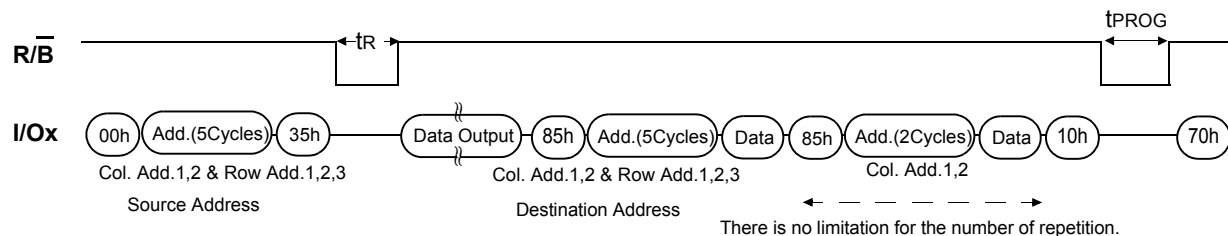
Copy-Back program with Read for Copy-Back is configured to quickly and efficiently rewrite data stored in one page without data re-loading when the bit error is not in data stored. Since the time-consuming re-loading cycles are removed, the system performance is improved. The benefit is especially obvious when a portion of a block is updated and the rest of the block also needs to be copied to the newly assigned free block. Copy-Back operation is a sequential execution of Read for Copy-Back and of copy-back program with the destination page address. A read operation with "35h" command and the address of the source page moves the whole 4,224-byte data into the internal data buffer. A bit error is checked by sequential reading the data output. In the case where there is no bit error, the data do not need to be reloaded. Therefore Copy-Back program operation is initiated by issuing Page-Copy Data-Input command (85h) with destination page address. Actual programming operation begins after Program Confirm command (10h) is issued. Once the program process starts, the Read Status Register command (70h) may be entered to read the status register. The system controller can detect the completion of a program cycle by monitoring the R/B output, or the Status bit(I/O 6) of the Status Register. When the Copy-Back Program is complete, the Write Status Bit(I/O 0) may be checked(Figure 10 & Figure 11). The command register remains in Read Status command mode until another valid command is written to the command register. During copy-back program, data modification is possible using random data input command (85h) as shown in Figure 11.

Figure 10. Page Copy-Back Program Operation



Note: 1. Copy-Back Program operation is allowed only within the same memory plane.

Figure 11. Page Copy-Back Program Operation with Random Data Input

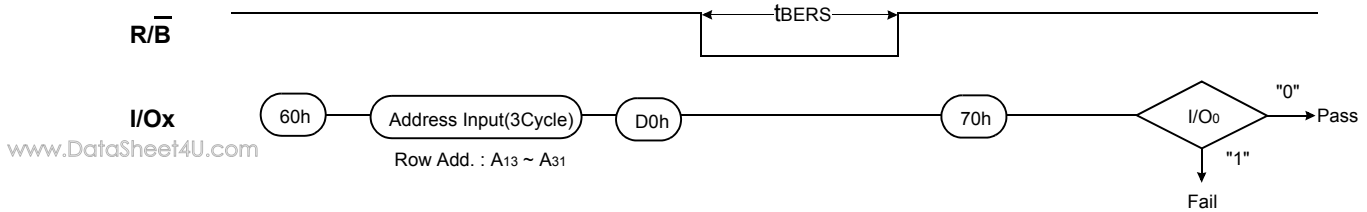


**BLOCK ERASE**

The Erase operation is done on a block basis. Block address loading is accomplished in three cycles initiated by an Erase Setup command(60h). Only address A20 to A31 is valid while A13 to A19 is ignored. The Erase Confirm command(D0h) following the block address loading initiates the internal erasing process. This two-step sequence of setup followed by execution command ensures that memory contents are not accidentally erased due to external noise conditions.

At the rising edge of WE after the erase confirm command input, the internal write controller handles erase and erase-verify. When the erase operation is completed, the Write Status Bit(I/O 0) may be checked. Figure 12 details the sequence.

**Figure 12. Block Erase Operation**



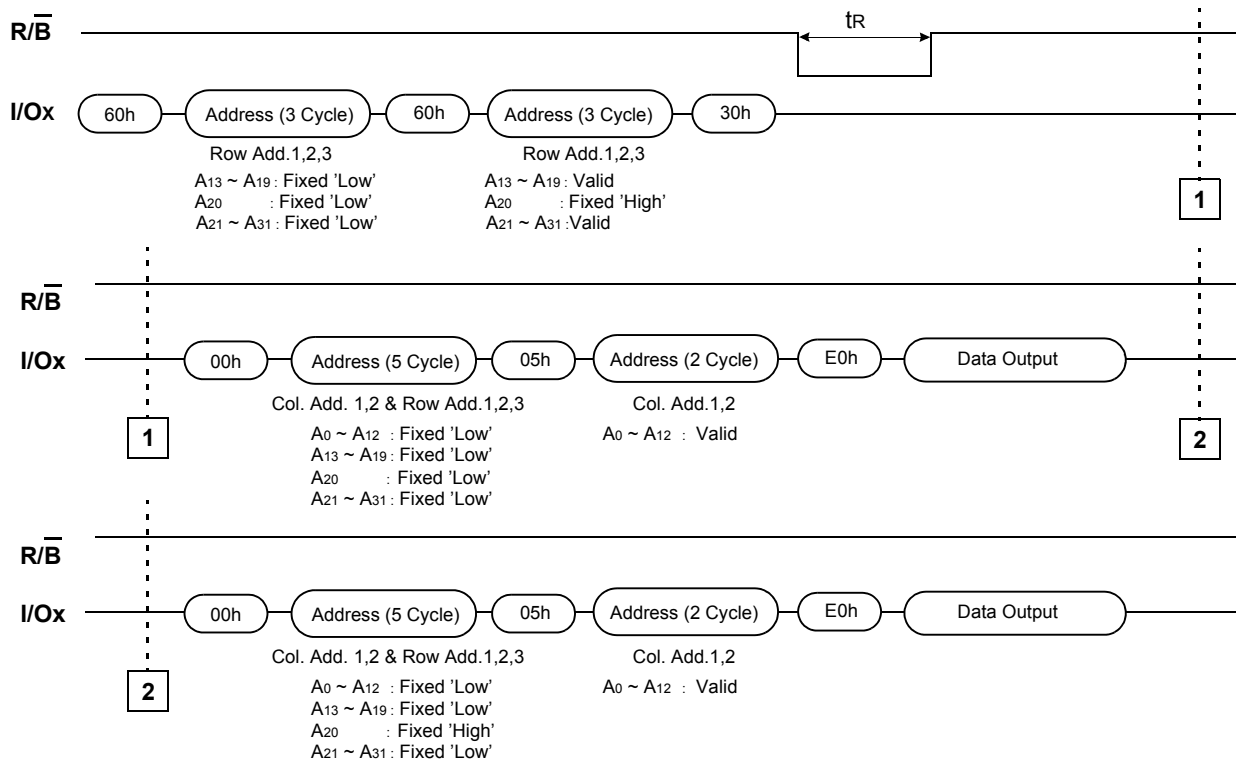
**TWO-PLANE PAGE READ**

Two-Plane Page Read is an extension of Page Read, for a single plane with 4,224 byte page registers. Since the device is equipped with two memory planes, activating the two sets of 4,224 byte page registers enables a random read of two pages. Two-Plane Page Read is initiated by repeating command 60h followed by three address cycles twice. In this case only same page of same block can be selected from each plane.

After Read Confirm command(30h) the 8,448 bytes of data within the selected two page are transferred to the data registers in less than 60us(tR). The system controller can detect the completion of data transfer(tR) by monitoring the output of R/B pin.

Once the data is loaded into the data registers, the data output of first plane can be read out by issuing command 00h with Five Address Cycles, command 05h with two column address and finally E0h. The data output of second plane can be read out using the identical command sequences. The restrictions for Two-Plane Page Program are shown in Figure 13. Two-Plane Read must be used in the block which has been programmed with Two-Plane Page Program.

**Figure 13. Two-Plane Page Read Operation with Two-Plane Random Data Out**



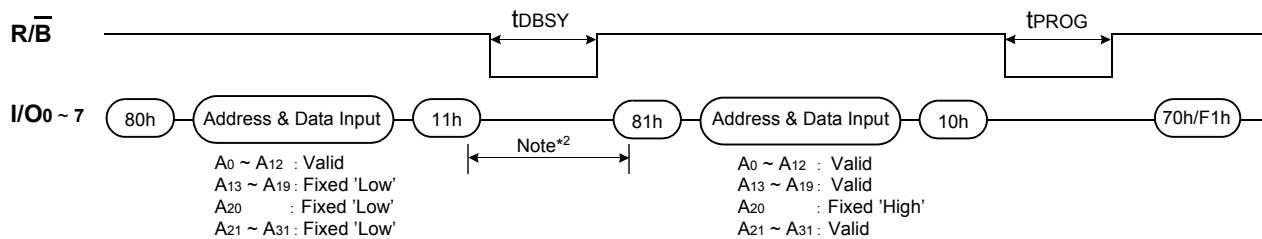
**TWO-PLANE PAGE PROGRAM**

Two-Plane Page Program is an extension of Page Program, for a single plane with 4,224 byte page registers. Since the device is equipped with two memory planes, activating the two sets of 4,224 byte page registers enables a simultaneous programming of two pages.

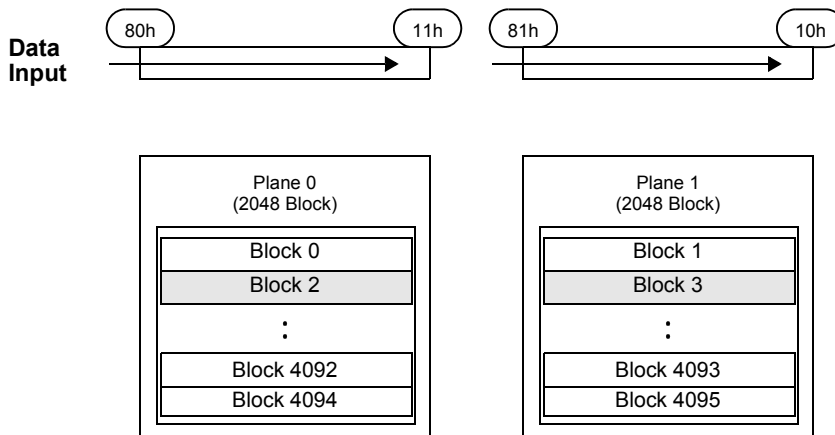
After writing the first set of data up to 4,224 byte into the selected page register, Dummy Page Program command (11h) instead of actual Page Program (10h) is inputted to finish data-loading of the first plane. Since no programming process is involved, R/B remains in Busy state for a short period of time(tDBSY). Read Status command (70h/F1h) may be issued to find out when the device returns to Ready state by polling the Ready/Busy status bit(I/O 6). Then the next set of data for the other plane is inputted after the 81h command and address sequences. After inputting data for the last plane, actual True Page Program(10h) instead of dummy Page Program command (11h) must be followed to start the programming process. The operation of R/B and Read Status is the same as that of Page Program. Status bit of I/O 0 is set to "1" when any of the pages fails. Restriction in addressing with Two-Plane Page Program is shown in Figure14.

www.DataSheet4U.com

**Figure 14. Two-Plane Page Program**



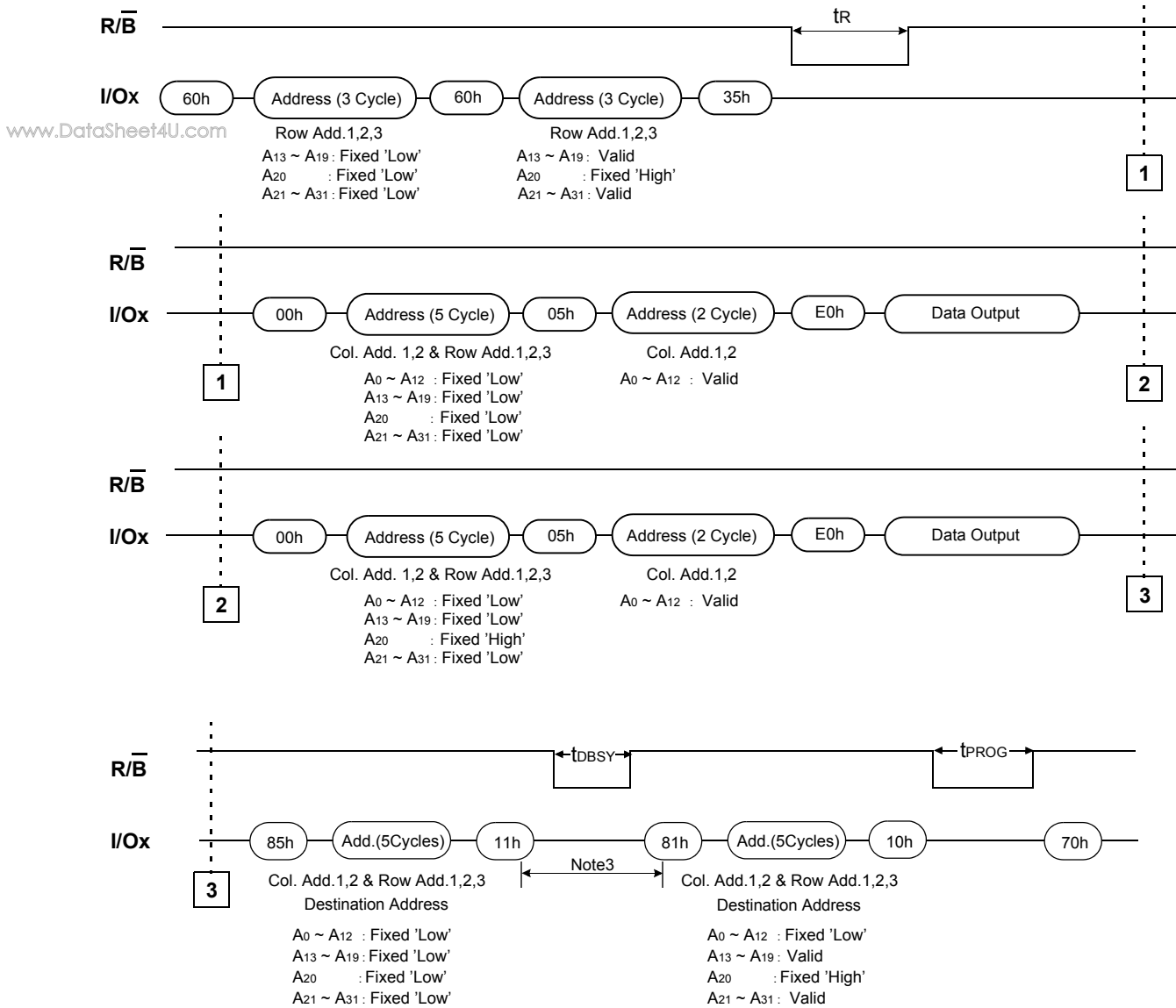
**NOTE :** 1. It is noticeable that physically same row address is applied to two planes .  
2. Any command between 11h and 81h is prohibited except 70h/F1h and FFh.

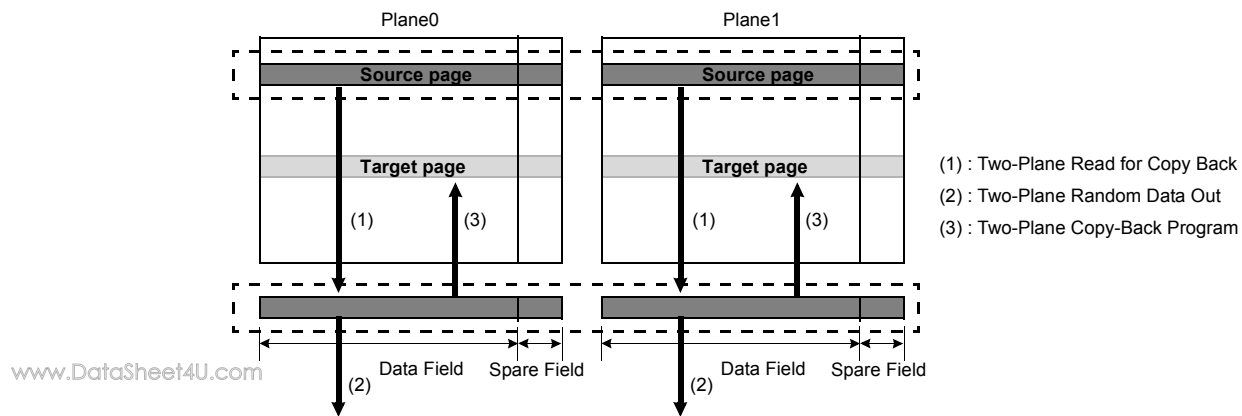


**TWO-PLANE COPY-BACK PROGRAM**

Two-Plane Copy-Back Program is an extension of Copy-Back Program, for a single plane with 4224 byte page registers. Since the device is equipped with two memory planes, activating the two sets of 4224 byte page registers enables a simultaneous programming of two pages.

**Figure 15. Two-Plane Copy-Back Program Operation**

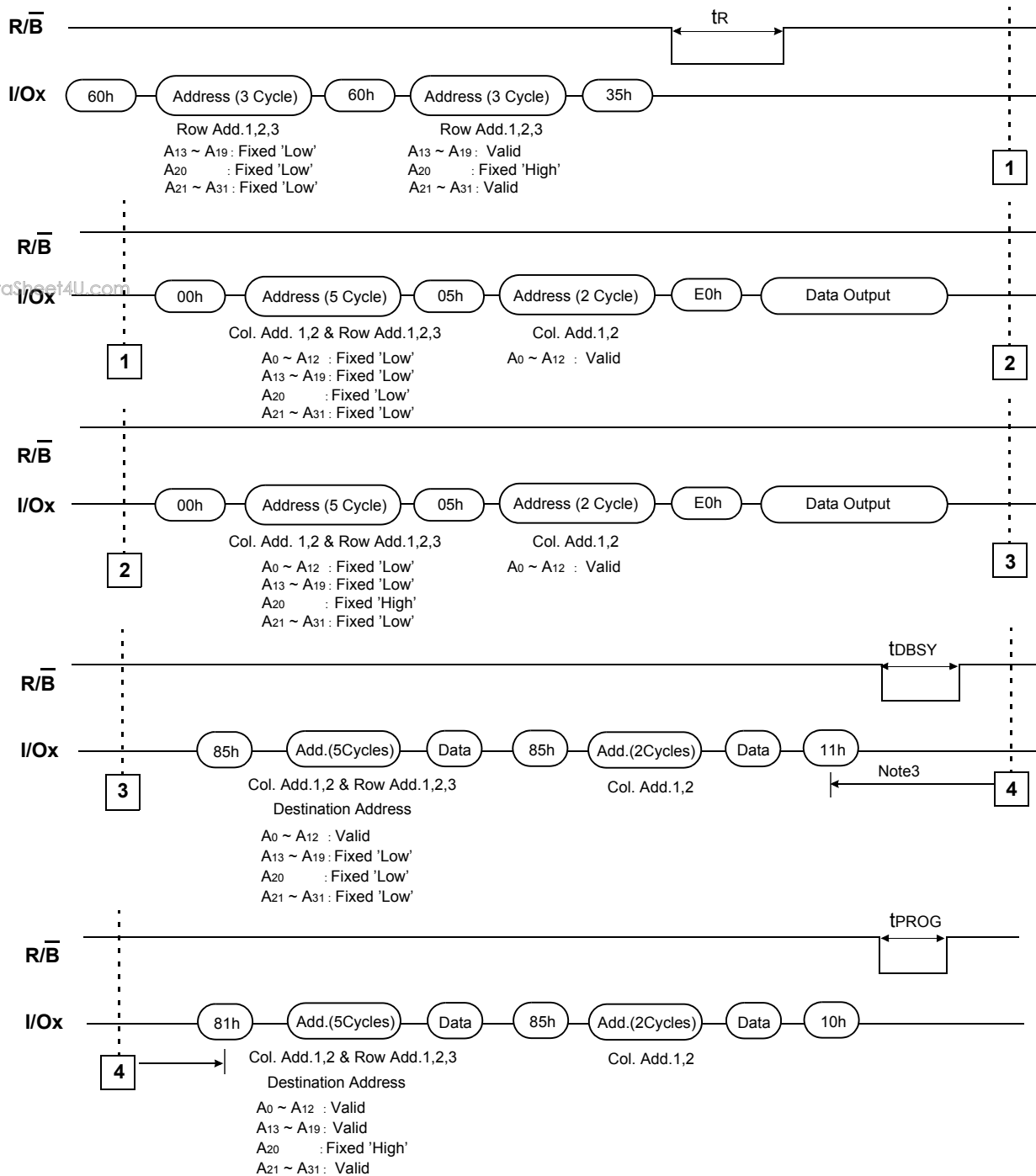




**Note:** 1. Copy-Back Program operation is allowed only within the same memory plane.  
 2. Any command between 11h and 81h is prohibited except 70h/F1h and FFh.



Figure 16. Two-Plane Copy-Back Program Operation with Random Data Input

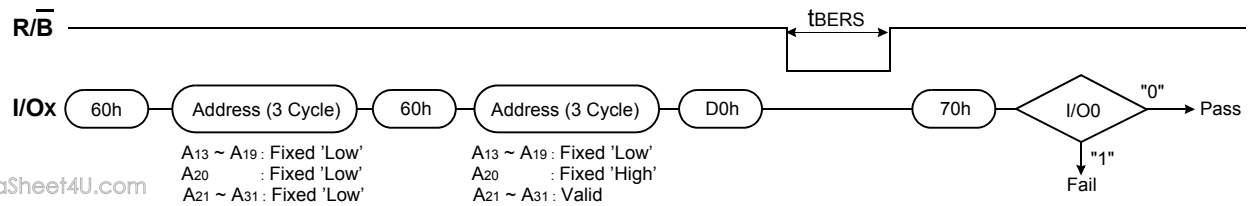


**Note:** 1. Copy-Back Program operation is allowed only within the same memory plane.  
2. Any command between 11h and 81h is prohibited except 70h/F1h and FFh.

**TWO-PLANE BLOCK ERASE**

Basic concept of Two-Plane Block Erase operation is identical to that of Two-Plane Page Program. Up to two blocks, one from each plane can be simultaneously erased. Standard Block Erase command sequences (Block Erase Setup command(60h) followed by three address cycles) may be repeated up to twice for erasing up to two blocks. Only one block should be selected from each plane. The Erase Confirm command(D0h) initiates the actual erasing process. The completion is detected by monitoring R/B pin or Ready/Busy status bit (I/O 6).

**Figure 17. Two-Plane Erase Operation**



www.DataSheet4U.com

**READ STATUS**

The device contains a Status Register which may be read to find out whether program or erase operation is completed, and whether the program or erase operation is completed successfully. After writing 70h or F1h command to the command register, a read cycle outputs the content of the Status Register to the I/O pins on the falling edge of  $\overline{CE}$  or  $\overline{RE}$ , whichever occurs last. This two line control allows the system to poll the progress of each device in multiple memory connections even when R/B pins are common-wired.  $\overline{RE}$  or  $\overline{CE}$  does not need to be toggled for updated status. Refer to table 2 for specific 70h Status Register definitions and table 3 for specific F1h Status Register definitions. The command register remains in Status Read mode until further commands are issued to it. Therefore, if the status register is read during a random read cycle, the read command(00h) should be given before starting read cycles.

**Table 2. 70h Read Status Register Definition**

I/O No.	Page Program	Block Erase	Read	Definition	
I/O 0	Pass/Fail	Pass/Fail	Not use	Pass : "0"	Fail : "1"
I/O 1	Not use	Not use	Not use	Don't -cared	
I/O 2	Not use	Not use	Not use	Don't -cared	
I/O 3	Not Use	Not Use	Not Use	Don't -cared	
I/O 4	Not Use	Not Use	Not Use	Don't -cared	
I/O 5	Not Use	Not Use	Not Use	Don't -cared	
I/O 6	Ready/Busy	Ready/Busy	Ready/Busy	Busy : "0"	Ready : "1"
I/O 7	Write Protect	Write Protect	Write Protect	Protected : "0"	Not Protected : "1"

**NOTE :** 1. I/Os defined 'Not use' are recommended to be masked out when Read Status is being executed.

**Table 3. F1h Read Status Register Definition**

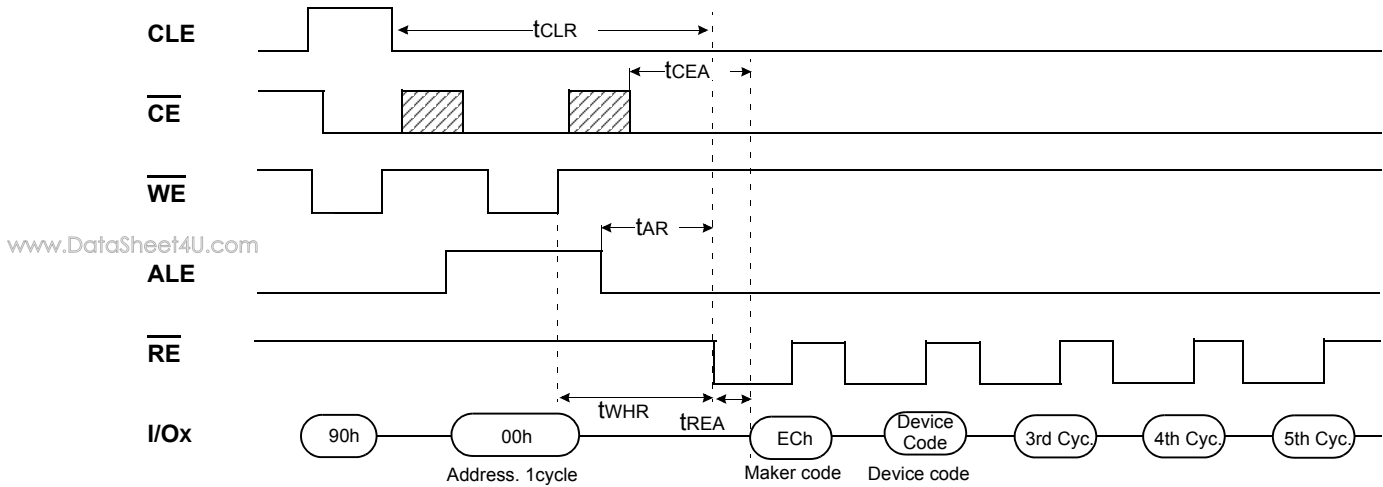
I/O No.	Page Program	Block Erase	Read	Definition	
I/O 0	Chip Pass/Fail	Chip Pass/Fail	Not use	Pass : "0"	Fail : "1"
I/O 1	Plane0 Pass/Fail	Plane0 Pass/Fail	Not use	Pass : "0"	Fail : "1"
I/O 2	Plane1 Pass/Fail	Plane1 Pass/Fail	Not use	Pass : "0"	Fail : "1"
I/O 3	Not Use	Not Use	Not Use	Don't -cared	
I/O 4	Not Use	Not Use	Not Use	Don't -cared	
I/O 5	Not Use	Not Use	Not Use	Don't -cared	
I/O 6	Ready/Busy	Ready/Busy	Ready/Busy	Busy : "0"	Ready : "1"
I/O 7	Write Protect	Write Protect	Write Protect	Protected : "0"	Not Protected : "1"

**NOTE :** 1. I/Os defined 'Not use' are recommended to be masked out when Read Status is being executed.

**READ ID**

The device contains a product identification mode, initiated by writing 90h to the command register, followed by an address input of 00h. Five read cycles sequentially output the manufacturer code(ECh), and the device code and 3rd cycle ID, 4th cycle ID, 5th cycle ID respectively. The command register remains in Read ID mode until further commands are issued to it. Figure 18 shows the operation sequence.

**Figure 18. Read ID Operation**

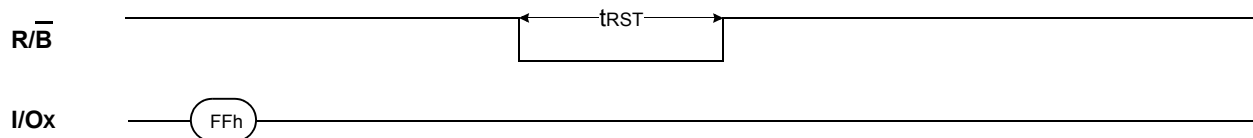


Device	Device Code(2nd Cycle)	3rd Cycle	4th Cycle	5th Cycle
K9GAG08B0M	Same as K9GAG08U0M			
K9GAG08U0M	D5h	14h	B6h	74h
K9LBG08U1M	Same as K9GAG08U0M in it			

**RESET**

The device offers a reset feature, executed by writing FFh to the command register. When the device is in Busy state during random read, program or erase mode, the reset operation will abort these operations. The contents of memory cells being altered are no longer valid, as the data will be partially programmed or erased. The command register is cleared to wait for the next command, and the Status Register is cleared to value C0h when WP is high. Refer to Table 4 for device status after reset operation. If the device is already in reset state a new reset command will be accepted by the command register. The R/B pin changes to low for tRST after the Reset command is written. Refer to Figure 19 below.

**Figure 19. RESET Operation**



**Table 4. Device Status**

	After Power-up	After Reset
Operation mode	00h Command is latched	Waiting for next command

**Table 5. Paired Page Address Information**

Paired Page Address		Paired Page Address	
00h	04h	01h	05h
02h	08h	03h	09h
06h	0Ch	07h	0Dh
0Ah	10h	0Bh	11h
0Eh	14h	0Fh	15h
12h	18h	13h	19h
16h	1Ch	17h	1Dh
1Ah	20h	1Bh	21h
1Eh	24h	1Fh	25h
22h	28h	23h	29h
26h	2Ch	27h	2Dh
2Ah	30h	2Bh	31h
2Eh	34h	2Fh	35h
32h	38h	33h	39h
36h	3Ch	37h	3Dh
3Ah	40h	3Bh	41h
3Eh	44h	3Fh	45h
42h	48h	43h	49h
46h	4Ch	47h	4Dh
4Ah	50h	4Bh	51h
4Eh	54h	4Fh	55h
52h	58h	53h	59h
56h	5Ch	57h	5Dh
5Ah	60h	5Bh	61h
5Eh	64h	5Fh	65h
62h	68h	63h	69h
66h	6Ch	67h	6Dh
6Ah	70h	6Bh	71h
6Eh	74h	6Fh	75h
72h	78h	73h	79h
76h	7Ch	77h	7Dh
7Ah	7Eh	7Bh	7Fh

**Note:** When program operation is abnormally aborted (ex. power-down, reset), not only page data under program but also paired page data may be damaged(Table 5).

**READY/ $\overline{\text{BUSY}}$**

The device has a  $\overline{\text{R/B}}$  output that provides a hardware method of indicating the completion of a page program, erase and random read completion. The  $\overline{\text{R/B}}$  pin is normally high but transitions to low after program or erase command is written to the command register or random read is started after address loading. It returns to high when the internal controller has finished the operation. The pin is an open-drain driver thereby allowing two or more  $\overline{\text{R/B}}$  outputs to be Or-tied. Because pull-up resistor value is related to  $t_r(\overline{\text{R/B}})$  and current drain during busy( $i_{\text{busy}}$ ), an appropriate value can be obtained with the following reference chart(Fig 20). Its value can be determined by the following guidance.

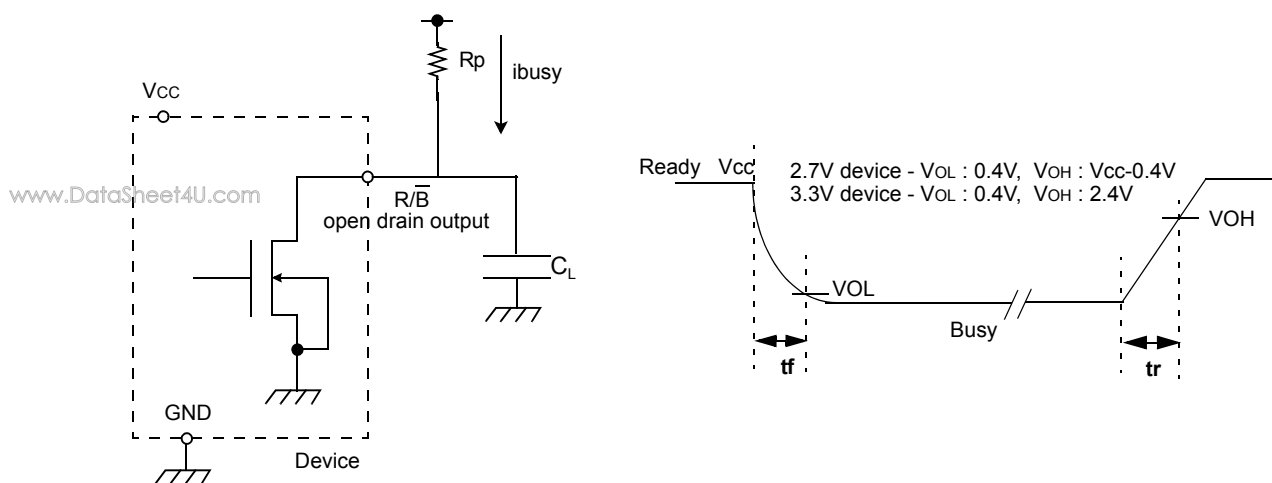
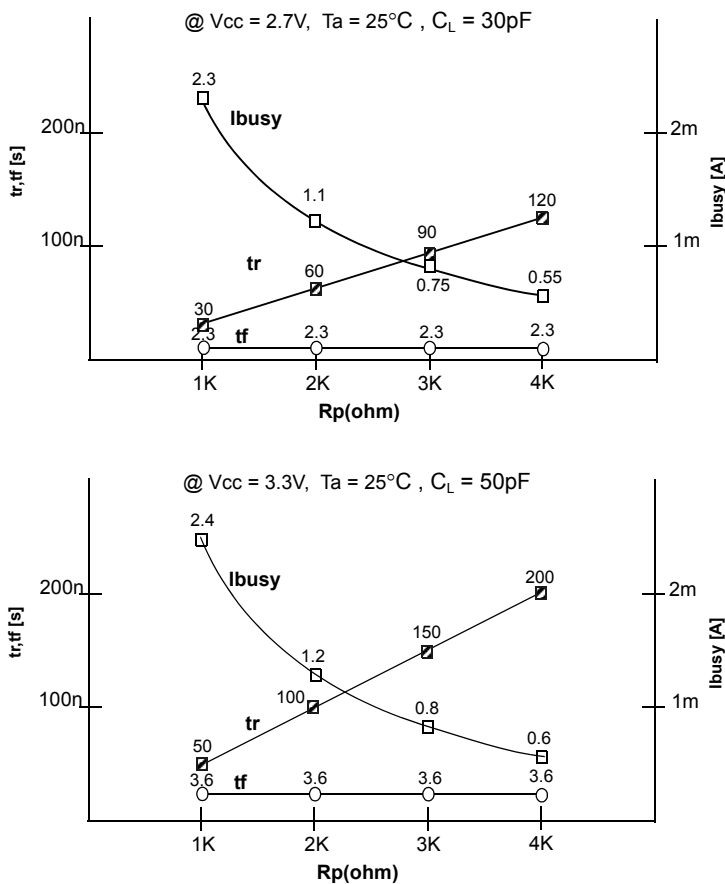


Figure 20. Rp vs tr ,tf & Rp vs ibusy



Rp value guidance

$$Rp(\text{min}, 2.7\text{V part}) = \frac{V_{CC}(\text{Max.}) - V_{OL}(\text{Max.})}{I_{OL} + \Sigma I_L} = \frac{2.5\text{V}}{3\text{mA} + \Sigma I_L}$$

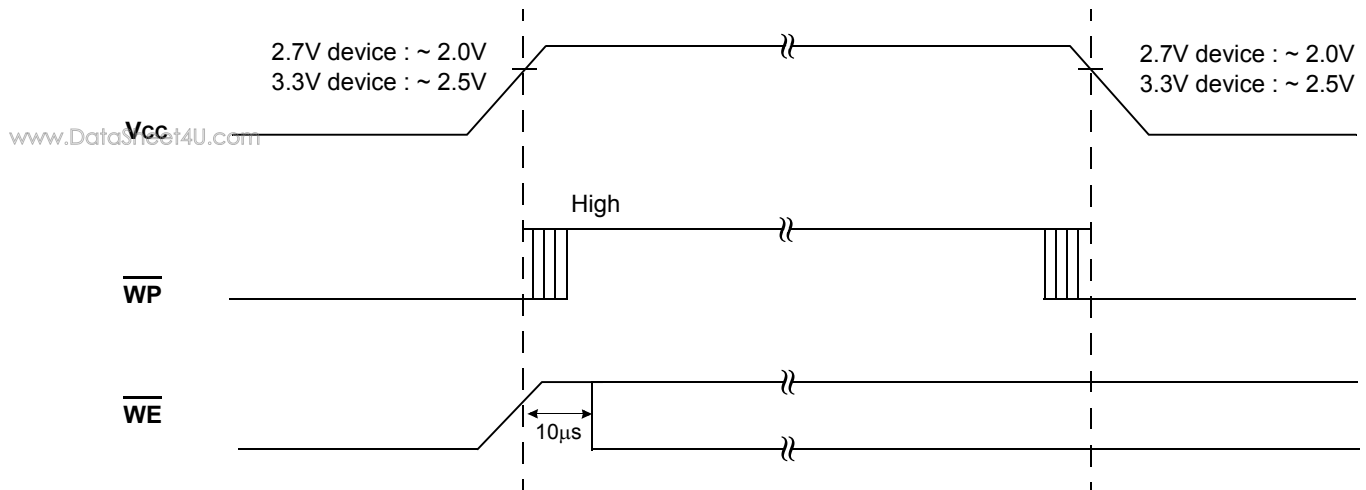
$$Rp(\text{min}, 3.3\text{V part}) = \frac{V_{CC}(\text{Max.}) - V_{OL}(\text{Max.})}{I_{OL} + \Sigma I_L} = \frac{3.2\text{V}}{8\text{mA} + \Sigma I_L}$$

where IL is the sum of the input currents of all devices tied to the R/B pin.  
Rp(max) is determined by maximum permissible limit of tr

**DATA PROTECTION & POWER UP SEQUENCE**

The device is designed to offer protection from any involuntary program/erase during power-transitions. An internal voltage detector disables all functions whenever  $V_{CC}$  is below about 2V.  $\overline{WP}$  pin provides hardware protection and is recommended to be kept at  $V_{IL}$  during power-up and power-down. A recovery time of minimum  $10\mu s$  is required before internal circuit gets ready for any command sequences as shown in Figure 21. The two step command sequence for program/erase provides additional software protection.

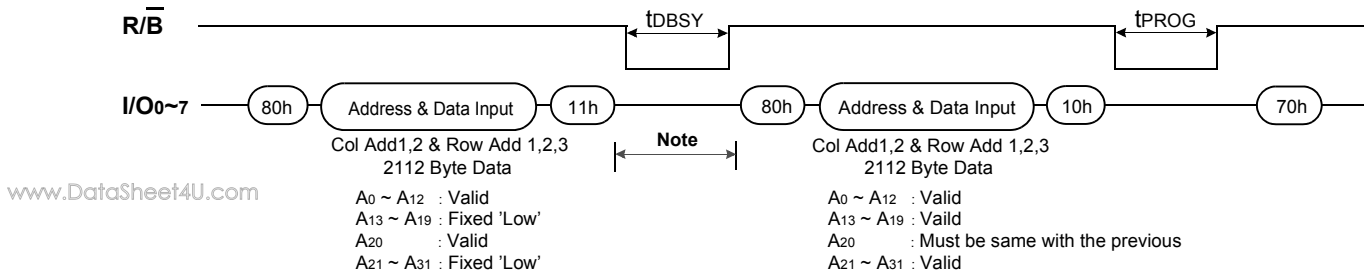
**Figure 21. AC Waveforms for Power Transition**



**2KB PROGRAM OPERATION TIMING GUIDE**

K9GAG08X0M is designed also to support the program operation with 2KByte data to offer the backward compatibility to the controller which uses the NAND with 2KByte page. The command sequences are as follows.

**Figure A-1. (2KB X 2) Program Operation**



**Figure A-2. (2KB X 2) Copy-Back Program Operation**

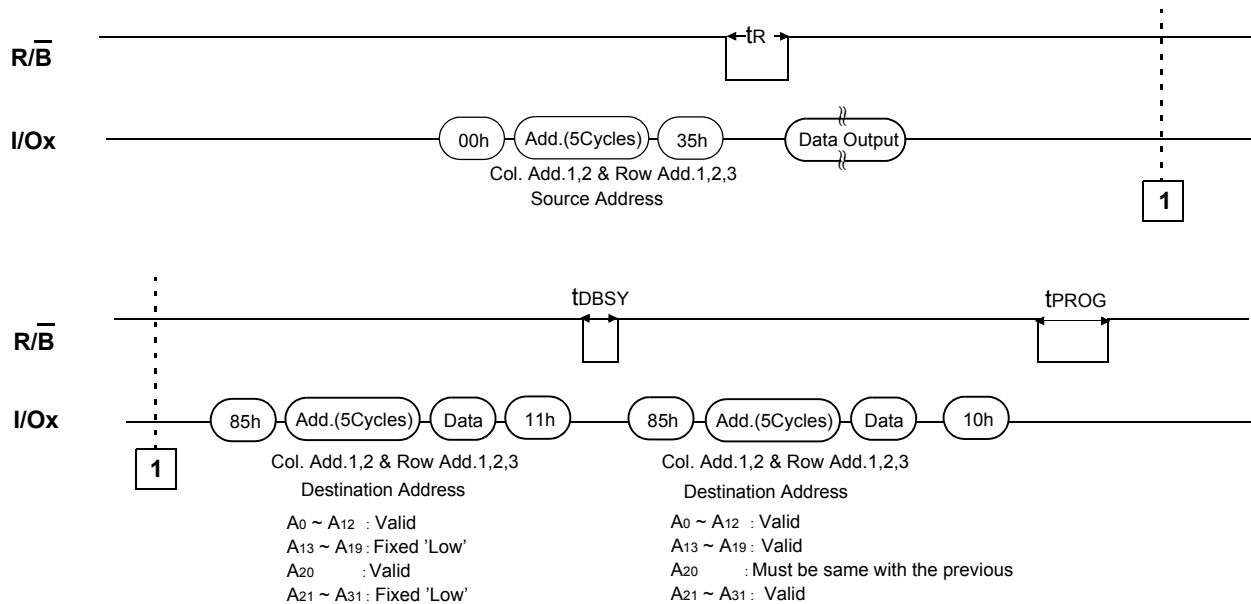
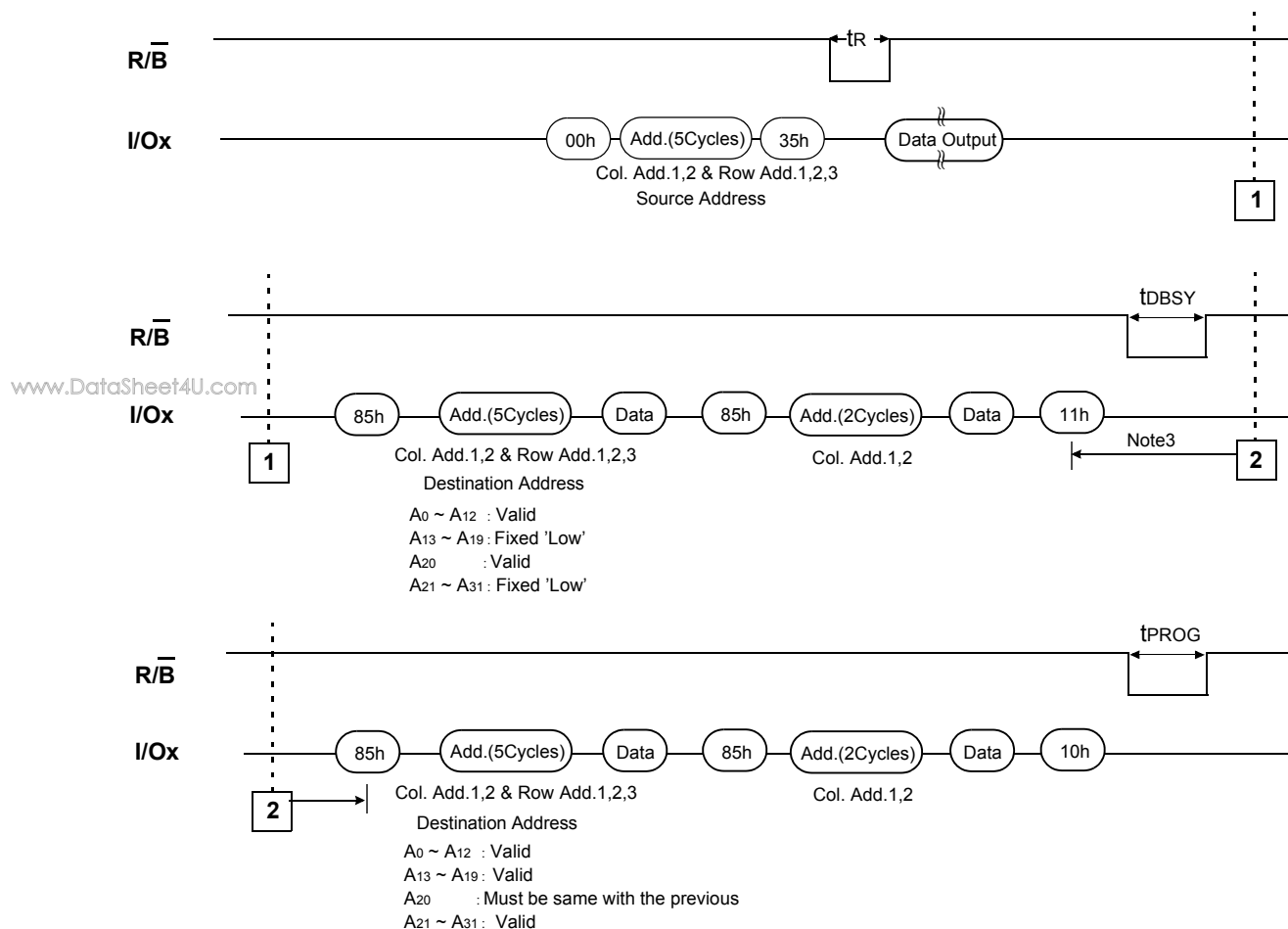




Figure A-3. (2KB X 2) Copy-Back Program Operation with Random Data Input



**Note:** 1. Copy-Back Program operation is allowed only within the same memory plane.  
2. Any command between 11h and 85h is prohibited except 70h/F1h and FFh.

TWO-PLANE PAGE PROGRAM OPERATION USING 4KB BUFFER RAM

K9GAG08X0M consists of 4KB pages and can support Two-Plane program operation. The internal RAM requirement for a controller is 8KB, but for those controllers which support less than 8KB RAM, the following sequence can be used for Two-Plane program operation.

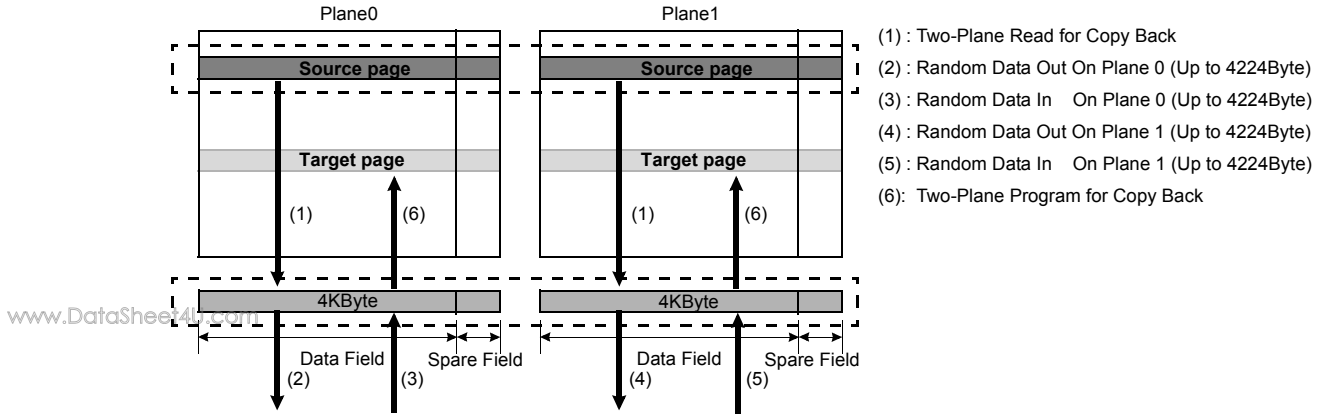
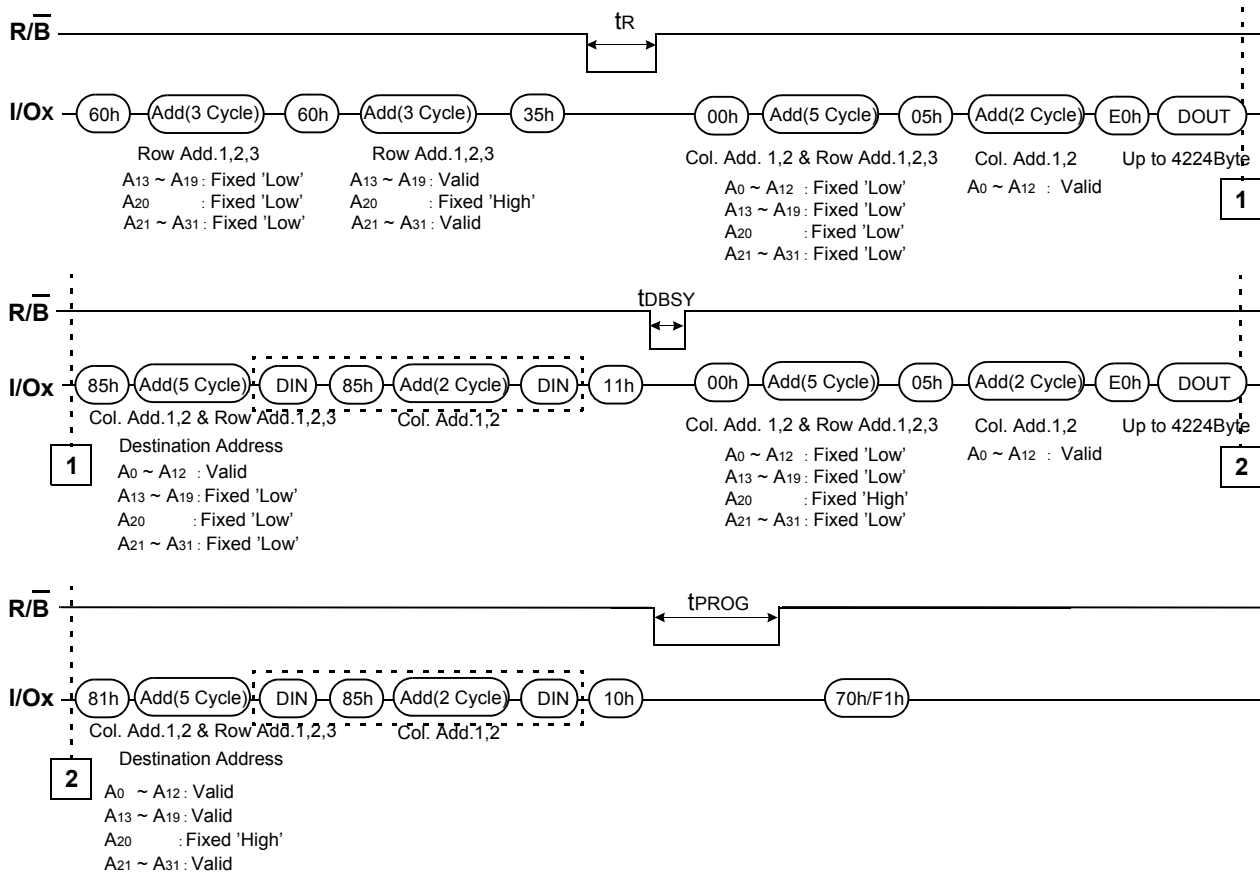


Figure A-4. 2-Plane Copy-Back Program Operation with Random Data Input



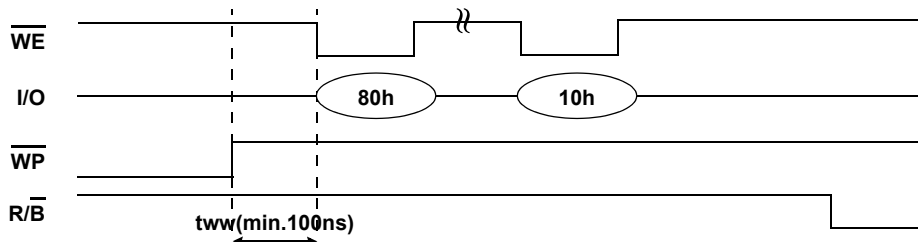
Note: 1. Copy-Back Program operation is allowed only within the same memory plane.

**WP AC TIMING GUIDE**

Enabling  $\overline{WP}$  during erase and program busy is prohibited. The erase and program operations are enabled and disabled as follows:

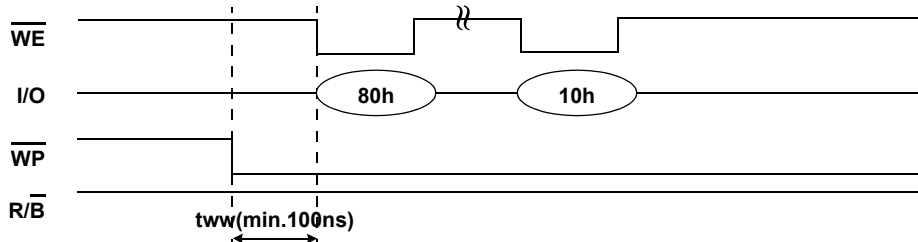
**Figure B-1. Program Operation**

1. Enable Mode



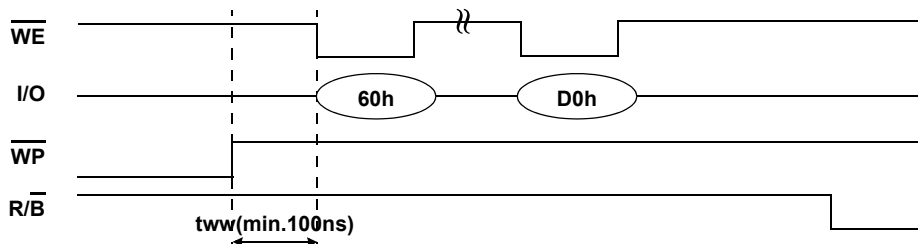
www.DataSheet4U.com

2. Disable Mode



**Figure B-2. Erase Operation**

1. Enable Mode



2. Disable Mode

