

Features

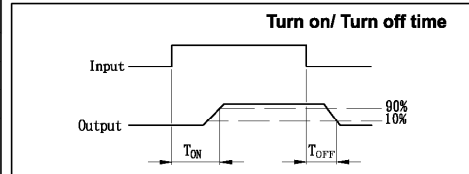
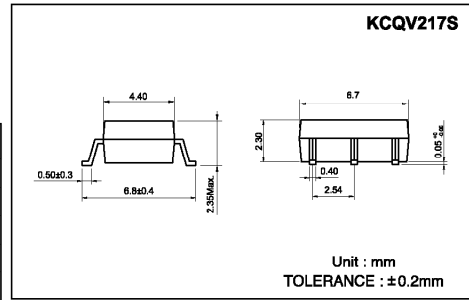
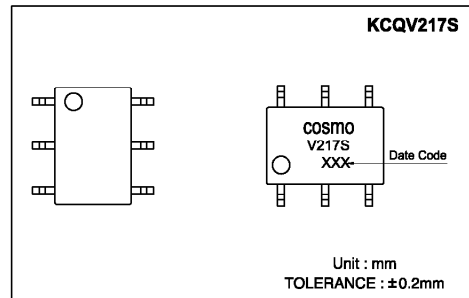
1. Normally Open, Single Pole Single Throw
2. Control 200VAC or DC Voltage
3. Switch 180mA Loads
4. LED control Current, 5mA
5. Low ON-Resistance
6. dv/dt, >500V/ms
7. Isolation Test Voltage, 1500VACrms

Absolute Maximum Ratings

(Ta=25°C)

Emitter (Input)	Detector (Output)
Reverse Voltage..... 5.0V	Output Breakdown Voltage..... ±200V
Continuous Forward Current..... 50mA	Continuous Load Current..... ±180mA
Peak Forward Current.....1A	Power Dissipation..... 450mW
Power Dissipation.....75m W	
Derate Linearly from 25°C..... 1.3mW/°C	

General Characteristics	
Isolation Test Voltage..... 1500VACrms	Storage Temperature Range... -40°C to +150°C
Isolation Resistance	Operating Temperature Range... -40°C to +85°C
Vio=500V, Ta=25°C..... ≥10 ¹⁰ Ω	Junction Temperature.....100°C
Total Power Dissipation..... 500mW	Soldering Temperature,
Derate Linearly from 25°C..... 2.5mW/°C	2mm from case, 10 sec..... 260°C



Electro-optical Characteristics

(Ta=25°C)

Parameter	Symbol	Conditions	Min.	Typ.	Max.	Unit
Emitter (Input)						
Forward Voltage	V _F	I _F = 10mA		1.2	1.5	V
Operation Input Current	I _{FON}	V _L = ±20V, I _L = 100mA, t = 10mS			5	mA
Recovery Input Current	I _{FOFF}	V _L = ±20V, I _L ≤ 5uA	0.2			mA
Detector (Output)						
Output Breakdown Voltage	V _B	I _B = 50uA	200			V
Output Off-State Leakage	I _{TOFF}	V _T = 100V, I _F = 0mA		0.2	1	uA
I/O Capacitance	C _{ISO}	I _F = 0, f = 1MHz		6		pF
ON Resistance	Connection	A	I _L = 100mA, I _F = 10mA	6	15	Ω
		B		3	8	
		C		1.5	4	
Turn-On Time	T _{ON}	I _F = 10mA, V _L = ±20V		0.4	1.0	ms
Turn-Off Time	T _{OFF}	t = 10ms, I _L = ±100mA		0.3	1.0	ms

Schematic and Wiring Diagrams

Type	Schematic	Output configuration	Load	Connection	Wiring Diagrams
KAQV217S		1a	AC/DC	A	
			DC	B	
			DC	C	

Data Curve

