

Wide Band
PIN Diode Attenuator
KATC-0814



● Feature

- Wide Band (800 to 5,800 MHz)
- Low Distortion
- High Isolation
- Miniaturized Package

KATC-0814 is a Voltage Controlled Attenuator which contains a PIN diode attenuator and a current control circuit. It shows the flat attenuation for frequency and the linearity for control voltage.

0.256" x 0.197" size is realized by adopting leadless package.

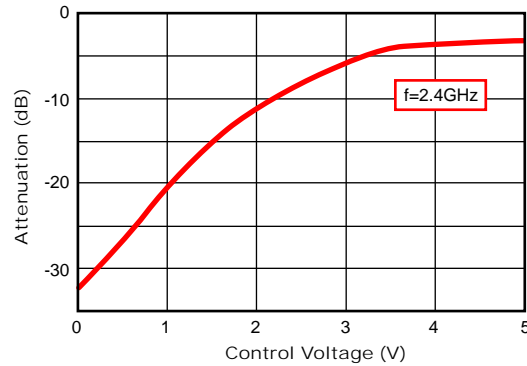
This Hybrid IC can be matched to any frequency or bias condition for your requirement.

● Electrical Specifications

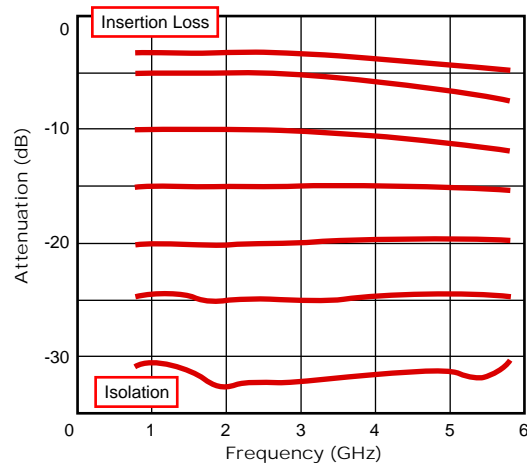
Bias Voltage=5V,Control Voltage=0 to 5V

Parameter	Unit	Frequency Range	Value		
			MIN	TYP	MAX
Insertion Loss	dB	0.8 to 2.4 GHz		3.5	4.0
		4.9 to 5.8 GHz		4.5	5.0
Isolation	dB	0.8 to 5.8 GHz	28	30	
Deflection (@15dB)	dB	0.8 to 2.4 GHz		0.4	0.5
		4.9 to 5.8 GHz		0.4	0.5

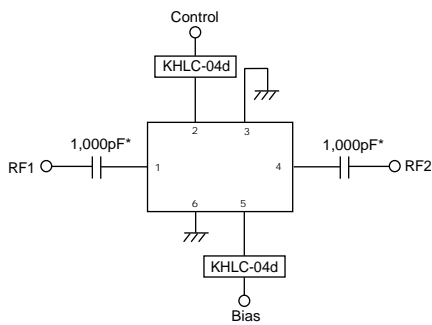
● Attenuation vs Control Voltage



● Attenuation vs Frequency

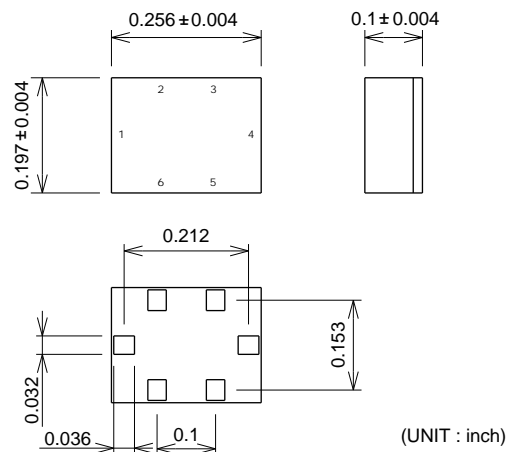


● Pin Out and Functional Schematic



* Tama Electric Co. : SHDC

● Package Outline



(UNIT : inch)