

RoHS Compliant Product
A suffix of "-C" specifies halogen-free

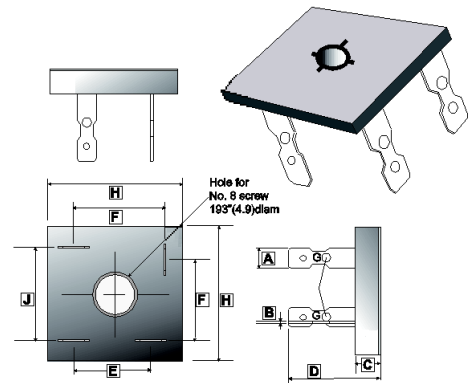
FEATURES

- Surge Overload Rating
- Low Forward Voltage Drop
- Mounting Position: Any
- Electrically Isolated Bass
- Solderable 0.25" FASTON Terminals
- Materials used Carries U/L Recognition

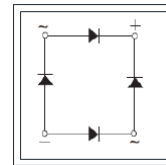
ORDER INFORMATION

Part Number	Type
KBPC15 Series	Lead (Pb)-free
KBPC15 Series-C	Lead (Pb)-free and Halogen-free

KBPC



REF.	Millimeter		REF.	Millimeter	
	Min.	Max.		Min.	Max.
A	6.20	6.40	F	15.3	17.3
B	0.75	0.85	G	2.3	2.5
C	10.8	11.2	H	28.2	28.8
D	19 TYP.		J	17.1	19.1
E	13.2	15.2			



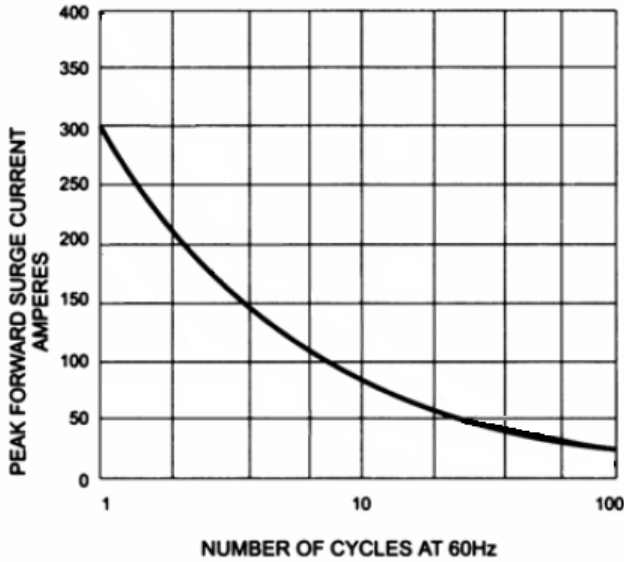
MAXIMUM RATINGS AND ELECTRICAL CHARACTERISTICS

(Rating 25°C ambient temperature unless otherwise specified. Single phase half wave, 60Hz, resistive or inductive load.
For capacitive load, de-rate current by 20%.)

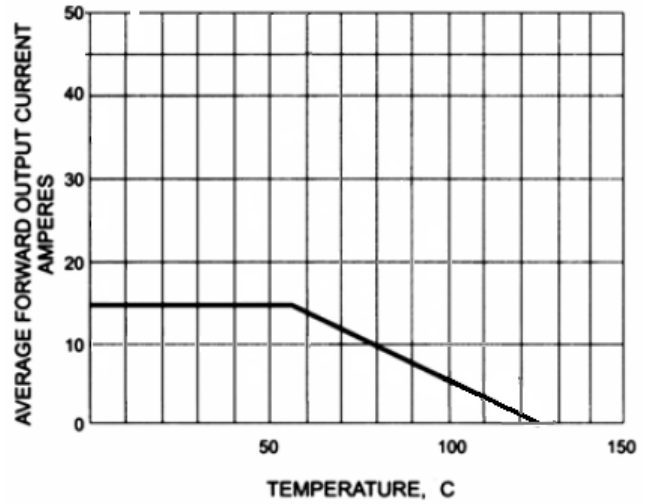
Parameter	Symbol	Part Number							Unit
		KBPC 15005	KBPC 1501	KBPC 1502	KBPC 1504	KBPC 1506	KBPC 1508	KBPC 1510	
Maximum Recurrent Peak Reverse Voltage	V_{RRM}	50	100	200	400	600	800	1000	V
Maximum RMS Voltage	V_{RMS}	35	70	140	280	420	560	700	V
Maximum DC Blocking Voltage	V_{DC}	50	100	200	400	600	800	1000	V
Maximum Average Forward Rectified Current @ $T_C=55^\circ C$	$I_{F(AV)}$	15							A
Peak Forward Surge Current, 8.3ms single half sine-wave superimposed on rated load (JEDEC Method)	I_{FSM}	300							A
Maximum Instantaneous Forward Voltage Drop Per Element @ $I_F=7.5A$	V_F	1.2							V
Maximum DC Reverse Current @Rated DC Blocking Voltage Per Element	$T_A=25^\circ C$	10							μA
	$T_A=125^\circ C$	500							
Operating and Storage Temperature Range	T_J, T_{STG}	125, -55~150							$^\circ C$

CHARACTERISTIC CURVES

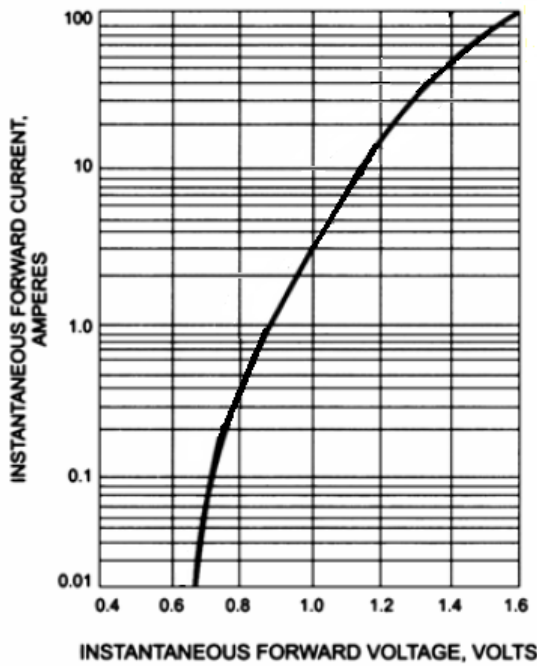
FIG. 1 - MAXIMUM FORWARD SURGE CURRENT



**FIG. 2 - DERATING CURVE
OUTPUT RECTIFIED CURRENT**



**FIG. 3 - TYPICAL FORWARD
CHARACTERISTICS**



**FIG. 4 - TYPICAL REVERSE
CHARACTERISTICS**

