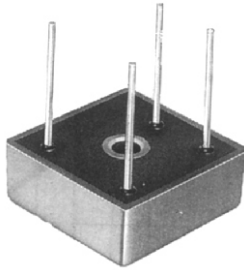


KBPC35W SERIES

SINGLE-PHASE SILICON BRIDGE



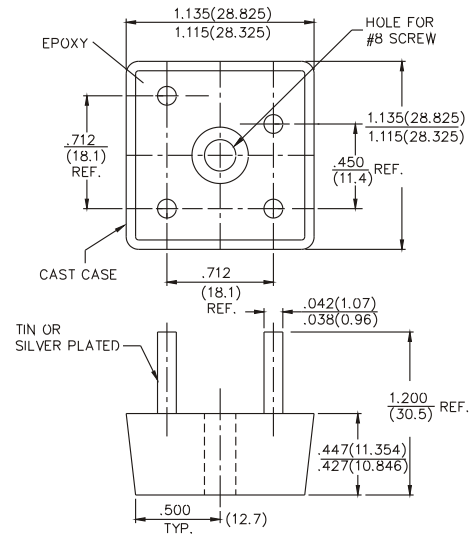
**CHENG-YI
ELECTRONIC**



FEATURES

- UL recognized file #E149311
- Surge overload rating-400 amperese peak
- Low forward voltage drop
- Solderable cooper leads .040" diameter
- Mounting position:Any
- Electrically isolated base-1800Volts
- Materials used carries U/L recognized

VOLTAGE RANGE
50 TO 1000 VOLTS PRV
CURRENT
35 Amperes



Dimensions in inches and (millimeters)

MAXIMUM RATINGS AND ELECTRICAL CHARACTERISTICS

Ratings at 25°C ambient temperature unless otherwise specified.

Resistive or inductive load, 60 Hz. For capacitive load, derate current by 20%.

		KBPC 35005W	KBPC 3501W	KBPC 3502W	KBPC 3504W	KBPC 3506W	KBPC 3508W	KBPC 3510W	UNITS
Maximum Recurrent Peak Reverse Voltage	V_{RRM}	50	100	200	400	600	800	1000	V
Maximum RMS Bridge Input Voltage	V_{RMS}	35	70	140	280	420	560	700	V
Maximum DC Blocking Voltage	V_{DC}	50	100	200	400	600	800	1000	V
Maximum Average Forward Output Current @ $T_C=55^\circ C$	$I_{(AV)}$	35							A
Peak Forward Surge Current 8.3 ms single half sine-wave superimposed on rated load(JEDEC Mehtod)	I_{FSM}	400							A
Maximum DC Forward Voltage drop per bridge element at 17.5A DC	V_F	1.2							V
Maximum DC Reverse Current at rated DC Blocking Voltage per bridge element	I_R	10							μA
		1							μA
$I^2 t$ Rating for fusing ($t < 8.3ms$)	$I^2 t$	664							A ² S
Typical Thermal Resistance(Note.1)	$R\theta_{JC}$	2.5							$^\circ C/W$
Operating Temperature Range	T_J	-55 to +125							$^\circ C$
Storage Temperature Range	T_{STG}	-55 to +150							$^\circ C$

KBPC35W SERIES

SINGLE-PHASE SILICON BRIDGE



**CHENG-YI
ELECTRONIC**

RATING AND CHARACTERISTICS CURVES KBPC35W SERIES

Fig.1 - PAK FORWARD SURGE CURRENT

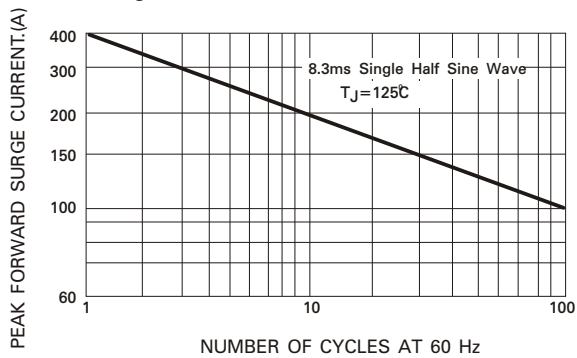


Fig.2 - DERATING CURVE FOR
OUTPUT RECTIFIED CURRENT

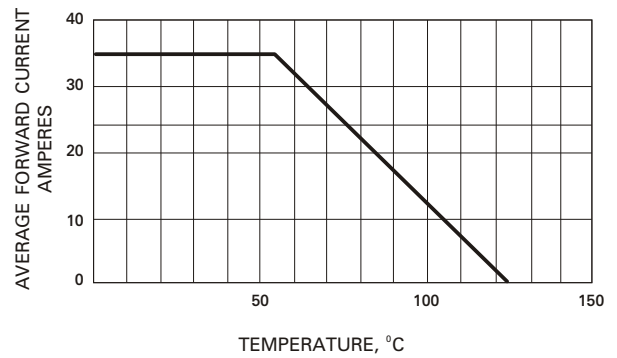


Fig.3 - TYPICAL FORWARD
CHARACTERISTICS

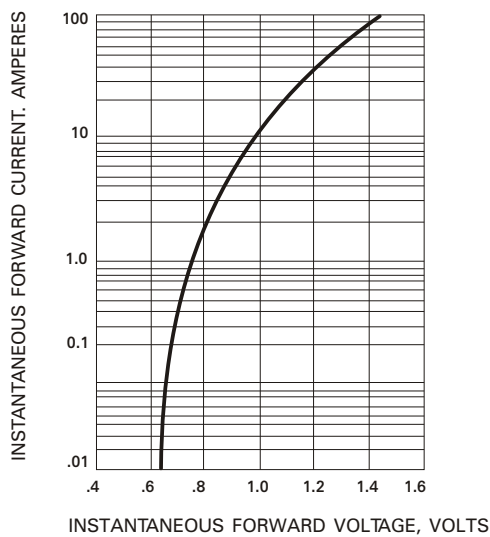


Fig.4 - TYPICAL REVERSE CHARACTERISTICS

